



**μSerDes™ FIN210AC**

**10-Bit Serializer / Deserializer Supporting Cameras and Small Displays up to 48MHz**

**Features**

Data & Control Bits	10-bit
Frequency	48MHz
Capability	Camera or LCD
Interface	Microcontroller, RGB, YUV
μController Usage	m68 & i86
Selectable Edge Rates	Yes
Standby Current	<10μA
Core Voltage (V <sub>DDA/S</sub> )	2.8 to 3.6V
I/O Voltage (V <sub>DDP</sub> )	1.65 to 3.6V
ESD (I/O to GND)	15kV
Package	32-Terminal MLP (Preliminary) 42-Ball USS-BGA
Ordering Information	FIN210ACMLX (Preliminary) FIN210ACGFX

**Description**

The FIN210AC μSerDes™ is a low-power serializer / deserializer optimized for use in cell phone displays and camera paths. The device reduces a 10-bit data path to four wires. For camera applications, an additional master clock can be passed in the opposite direction of data flow. The device utilizes Fairchild's proprietary ultra-low power, low-EMI technology.

**Applications**

- Slider, Folder, & Clamshell Mobile Handsets
- Printers
- Security Cameras

**Related Resources**

- For samples and questions, please contact: [Interface@fairchildsemi.com](mailto:Interface@fairchildsemi.com).

**Typical Application**

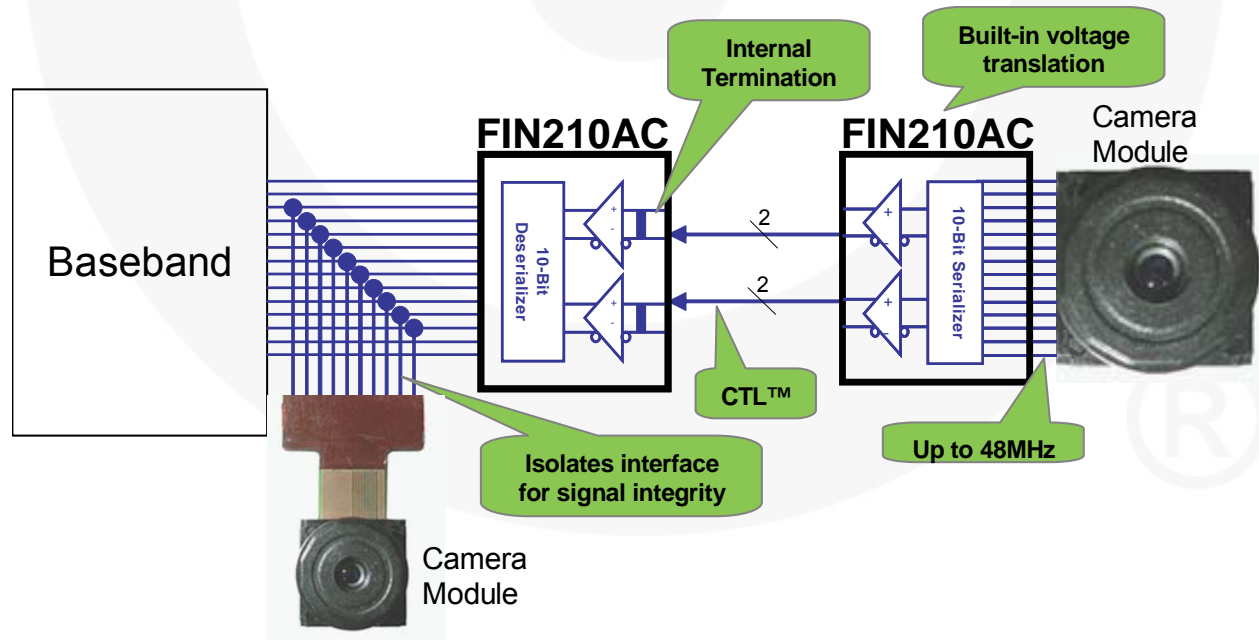


Figure 1. Mobile Phone Example

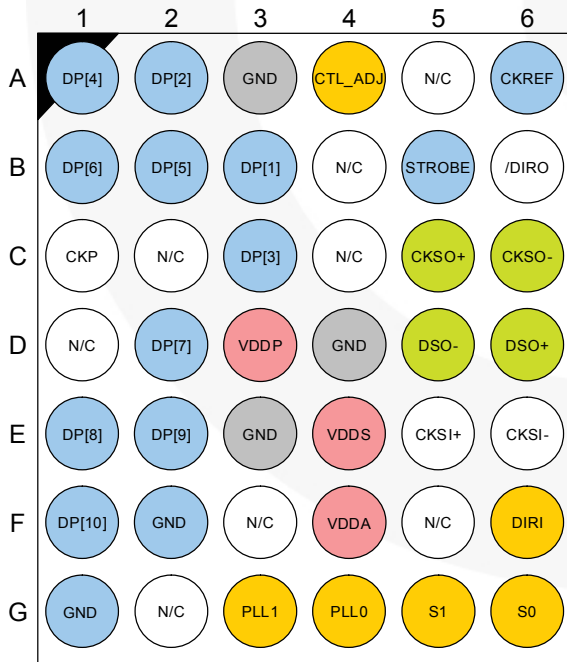
## FIN210AC (Serializer DIRI=1) Pin Descriptions

Pin Name	Description	
DIRI	0	Deserializer
	1	Serializer
CTL_ADJ	0	Low drive (low power)
	1	High drive (high power)
S0	Configure frequency range for the PLL.	See Table 1 Serializer (DIRI=1) Control Pin.
S1	Configure frequency range for the PLL.	See Table 1 Serializer (DIRI=1) Control Pin.
PLL0	Divide or adjust the serial frequency.	See Table 1 Serializer (DIRI=1) Control Pin.
PLL1	Divide or adjust the serial frequency.	See Table 1 Serializer (DIRI=1) Control Pin.
CKREF	LV-CMOS clock input and PLL reference.	
STROBE	LV-CMOS strobe input for latching data (DP [1:12]) into the serializer on the rising edge.	
DP[1:10]	LV-CMOS parallel data input. (GND input if not used)	
CKSO+	CTL Differential serializer output bit clock.	
CKSO-	CKSO+: Positive signal; CKSO-: Negative signal.	
DSO+	CTL Differential serial output data signals.	
DSO-	DSO+: Positive signal; DSO-: Negative signal.	
CKSI+	CTL Differential deserializer input bit clock.	
CKSI-	CKSI+: Positive signal; CKSI-: Negative signal.	
CKP	LV-CMOS word clock output or Pixel clock output.	No connect unless in "clock pass-through" mode.
/DIRO	LV-CMOS output, Inversion of DIRI in normal operation. Can be used to drive the DIRI signal of the deserializer where the interface needs to be turned around.	No connect if not used.
VDDP	Power supply for parallel I/O. (All VDDP pins must be connected to VDDP)	
VDDS	Power supply for serial I/O.	
VDDA	Power supply for core.	
GND	All GND pins must be connected to ground. BGA: all GND pads. MLP: Pin 29 & GND PAD must be grounded.	
N/C	No connect. (Do not connect to GND or VDD)	

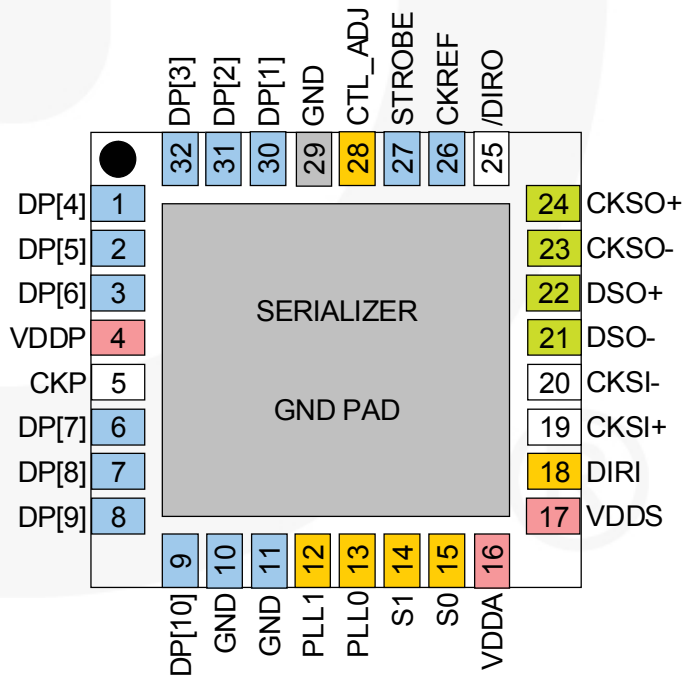
**Note:**

- 0=GND; 1=VDDP

## FIN210AC (Serializer DIRI=1) Pin Configurations



42-Ball BGA, 3.5 x 4.5mm, .5mm pitch (Top View)



32-pin MLP, 5 x 5mm, .5mm pitch (Top View)  
(Center pad must be grounded)

**Figure 2. FIN210AC (Serializer DIRI=1) Pin Assignments (Top View)**

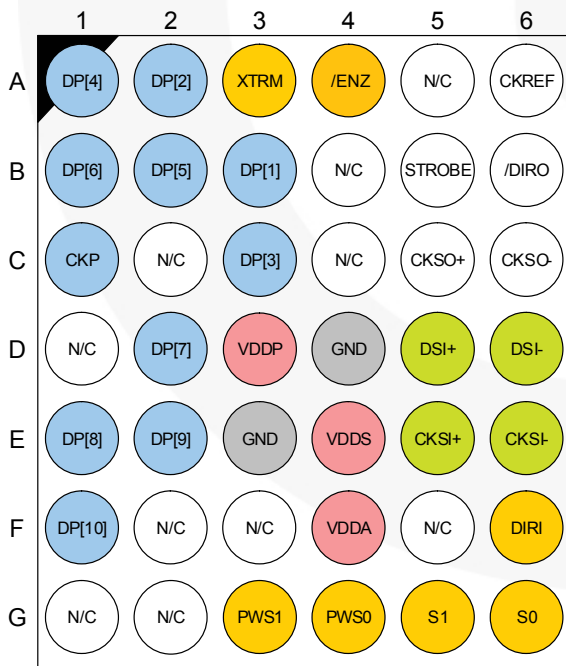
## FIN210AC (Deserializer DIRI=0) Pin Descriptions

Pin Name	Description	
DIRI	Control to determine serializer or deserializer configuration.	0 Deserializer
		1 Serializer
XTERM	Control to determine if using internal or external termination	0 Internal termination used
		1 External termination required on CKSI & DSI
S0	Signals used to define the edge rate of parallel I/O.	See Table 2 Deserializer (DIRI=0) Control Pin.
S1	Signals used to define the edge rate of parallel I/O.	See Table 2 Deserializer (DIRI=0) Control Pin.
PWS0	Configure CKP pulse width.	See Table 2 Deserializer (DIRI=0) Control Pin.
PWS1	Configure CKP pulse width.	See Table 2 Deserializer (DIRI=0) Control Pin.
/ENZ	High-Z or known state outputs during power down	See Table 5 Deserializer (DIRI=0) Control Pin.
DP[1:10]	LV-CMOS parallel data output. (N/C if not used)	
CKP	LV-CMOS word clock output or Pixel clock output.	
DSI+	CTL Differential serial input data signals. DSI+: Positive signal; DSI-: Negative signal.	
DSI-		
CKSI+	CTL Differential deserializer input bit clock. CKSI+: Positive signal; CKSI-: Negative signal.	
CKSI-		
CKSO+	CTL Differential serializer output bit clock. CKSO+: Positive signal; CKSO-: Negative signal.	No connect unless in "clock pass-through" mode.
CKSO-		
CKREF	LV-CMOS clock input and PLL reference.	No connect unless in "clock pass-through" mode.
STROBE	LV-CMOS strobe input for latching data into the serializer.	No connect unless in "clock pass-through" mode.
/DIRO	LV-CMOS Output. Inversion of DIRI in normal operation.	No connect if not used.
VDDP	Power supply for parallel I/O. (All VDDP pins must be connected to VDDP)	
VDDS	Power supply for serial I/O.	
VDDA	Power supply for core.	
GND	All GND pins must be connected to ground. BGA: all GND pads. MLP: Pin 28, 29, GND PAD must be grounded.	
N/C	No connect. BGA: G1, F2; MLP: 10, 11; (Do not connect to GND or VDD)	

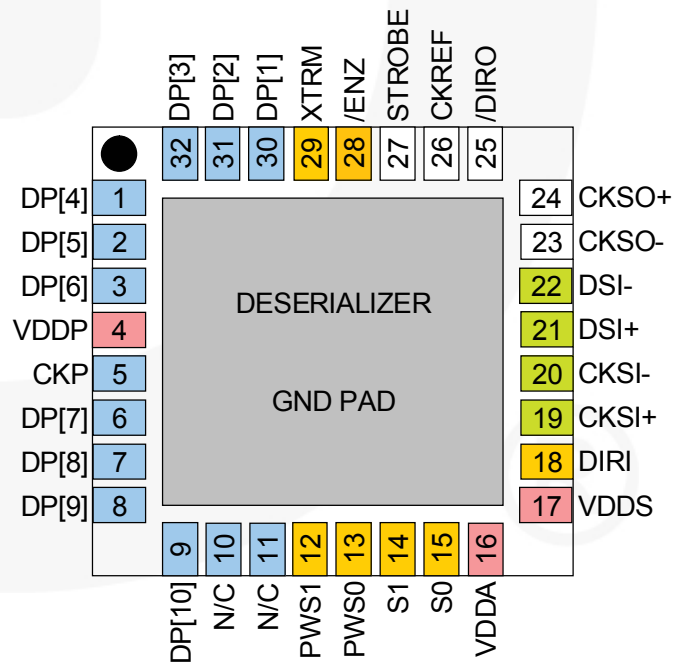
**Note:**

2. 0=GND; 1=VDDP

## FIN210AC (Deserializer DIRI=0) Pin Configurations



42-Ball BGA, 3.5 x 4.5mm, .5mm pitch (Top View)



32-pin MLP, 5mm x 5mm, .5mm pitch (Top View)  
(Center pad must be grounded)

**Figure 3. FIN210AC (Deserializer DIRI=0) Pin Assignments (Top View)**

## System Control Pin

**Table 1. Serializer (DIRI=1) Control Pin**

Conditions	Function			Control Pin			
	CKREF	STROBE	PLL Multiplier	PLL0	PLL1	S0	S1
<b>Slow Frequencies</b>							
Normal operation	5MHz to 15MHz	≤ CKREF (Up to 15MHz)	1	1	0	0	1
Supports spread spectrum on CKREF	5MHz to 14.2MHz	≤ CKREF (Up to 14.2MHz)	0.947	0	0	0	1
With a fixed CKREF input; STROBE can be 1/2 the speed	5MHz to 15MHz	≤ CKREF / 2 (Up to 7.5MHz)	2	0	1	0	1
With a fixed CKREF input; STROBE can be 1/3 the speed	5MHz to 15MHz	≤ CKREF / 3 (Up to 5MHz)	3	1	1	0	1
<b>Medium Frequencies</b>							
Normal operation	10MHz to 30MHz	≤ CKREF (Up to 30MHz)	1	1	0	1	1
Supports spread spectrum on CKREF	10MHz to 28.4MHz	≤ CKREF (Up to 28.4MHz)	0.947	0	0	1	1
With a fixed CKREF input; STROBE can be 1/2 the speed	10MHz to 30MHz	≤ CKREF / 2 (Up to 15MHz)	2	0	1	1	1
With a fixed CKREF input; STROBE can be 1/3 the speed	10MHz to 30MHz	≤ CKREF / 3 (Up to 10MHz)	3	1	1	1	1
<b>Fast Frequencies</b>							
Normal operation	18MHz to 48MHz	≤ CKREF (Up to 48MHz)	1	1	0	1	0
Supports spread spectrum on CKREF	18MHz to 45.4MHz	≤ CKREF (Up to 45.4MHz)	0.947	0	0	1	0
With a fixed CKREF input; STROBE can be 1/2 the speed	18MHz to 48MHz	≤ CKREF / 2 (Up to 24MHz)	2	0	1	1	0
With a fixed CKREF input; STROBE can be 1/3 the speed	18MHz to 48MHz	≤ CKREF / 3 (Up to 16MHz)	3	1	1	1	0
Power-Down				X	X	0	0

**Table 2. Deserializer (DIRI=0) PWS Control Pins (Pulse Width Examples)**

CKP to STROBE	CKP Pulse Width Low Time			Reference		Control Pin	
	CKREF=19.2 MHz	CKREF=26 MHz	CKREF=48 MHz	PLL Multiplier (Serializer)	Pwidth Multiplier	PWS0	PWS1
<b>Serializer PLL Multiplier = 3</b>							
Non-Inverted	78.1ns	57.7ns	31.2ns	3	6	0	0
Inverted	78.1ns	57.7ns	31.2ns	3	6	1	0
Non-Inverted	156.3ns	115.4ns	62.5ns	3	12	0	1
Non-Inverted	208.3ns	153.8ns	83.3ns	3	16	1	1
<b>Serializer PLL Multiplier = 2</b>							
Non-Inverted	52.1ns	38.5ns	20.8ns	2	6	0	0
Inverted	52.1ns	38.5ns	20.8ns	2	6	1	0
Non-Inverted	104.2ns	76.9ns	41.7ns	2	12	0	1
Non-Inverted	138.9ns	102.6ns	55.6ns	2	16	1	1
<b>Serializer PLL Multiplier = 1</b>							
Non-Inverted	26ns	19.2ns	10.4ns	1	6	0	0
Inverted	26ns	19.2ns	10.4ns	1	6	1	0
Non-Inverted	52.1ns	38.5ns	20.8ns	1	12	0	1
Non-Inverted	69.4ns	51.3ns	27.8ns	1	16	1	1
Power-Down				X	X	0	0

**Table 3. Deserializer S0 & S1 Control Pins (Note: All edge rates are typical values)**

LVCMOS Output Edge Rates		S0	S1
Slow Edge Rates	~7 - 8ns (C <sub>L</sub> = 8pF)	0	1
Medium Edge Rates	~4 - 5ns (C <sub>L</sub> = 8pF)	1	1
Fast Edge Rates	~2 - 3ns (C <sub>L</sub> = 8pF)	1	0
Power Down		0	0

**Pulse Width Calculations**

CKP Pulse Width Low Time=(PLL Multiplier • Pwidth Multiplier) / (CKREF•12) (1)

**Example:** CKREF=26MHz; PLL Multiplier=1; Pwidth Multiplier=6

CKP Pulse width=(1 • 6) / (26MHz • 12)=19.2ns (2)

**CKREF = Strobe 50% Duty Cycle**

If CKREF = Strobe the below control states will provide a ~ 50% duty cycle pulse width output on CKP

**Table 4. CKREF = Strobe 50% Duty Cycle**

Serializer		Deserializer	
PLL0	PLL1	PWS0	PWS1
1	0	0	0

**Power-Down States**

When both S1 and S0 signals are 0, regardless of the state of the DIRI signal, the FIN210AC resets and powers down. The power-down mode shuts down all internal analog circuitry, disables the serial input and output of the device, and resets all internal digital logic. Table 5 indicates the state of the input states and output buffers in Power-Down mode.

**Table 5. Power-Down**

Signal Pins	DIRI=1 (Serializer)	DIRI=0 (Deserializer) /ENZ = 0	DIRI=0 (Deserializer) /ENZ = 1
DP[1:10]	Inputs Disabled	Outputs High-Z	Outputs Low
CKP	HIGH	High-Z	High
STROBE	Input Disabled	Input Disabled	Input Disabled
CKREF	Input Disabled	Input Disabled	Input Disabled
/DIRO	0	1	1

## Clock Pass-Through Mode

Clock pass-through mode allows a harmonic rich clock source to be sent to the serializer in a CTL format to reduce the overall harmonic content of the phone, and can reduce the need for EMI filters. The Master Clock Pass through mode performs a translation to the clock in the CTL link, and does not serialize this signal. The following describes how to enable this functionality for an image sensor (See Figure 6).

Deserializer Configuration (DIRI=0)

1. Connect CKREF(BGA pin A6) to GROUND
2. Connect master clock to STROBE (BGA pin B5)

Serializer Configuration (DIRI=1)

1. CKSI passes master clock to CKP output (BGA pin C1)

## CKREF and STROBE Signals

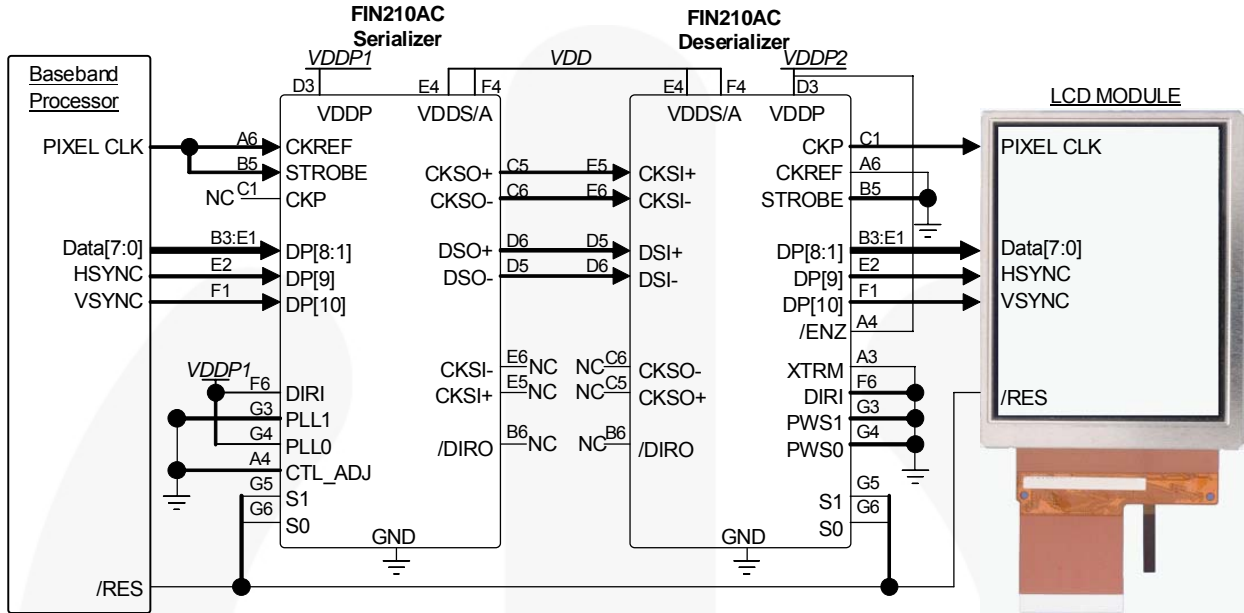
Please note that there is a setup and hold time between STROBE and data that must be met as seen on the electrical characteristics section. The relationship between CKREF and STROBE can be synchronous or asynchronous depending on what is available in the system. It is suggested that if the signals are synchronous and in normal operation that CKREF is tied to STROBE as close to the chip as possible. If you are running an asynchronous or spread spectrum setup, please be aware this may result on cycle jitter on the CKP signal. They cycle jitter does not effect the output data and clock relationship, the display or end application should continue to work as normal.

## PLL Note

Please note that the PLL ranges can overlap, power consumption can be reduced by selecting the operation in the lower end of the higher speed PLL range.

## Application Diagrams

The following application diagrams illustrate the most typical applications for the FIN210 device. Specific configurations of the control pins may vary based on the needs of a given system. The following recommendations are valid for all of the applications shown.



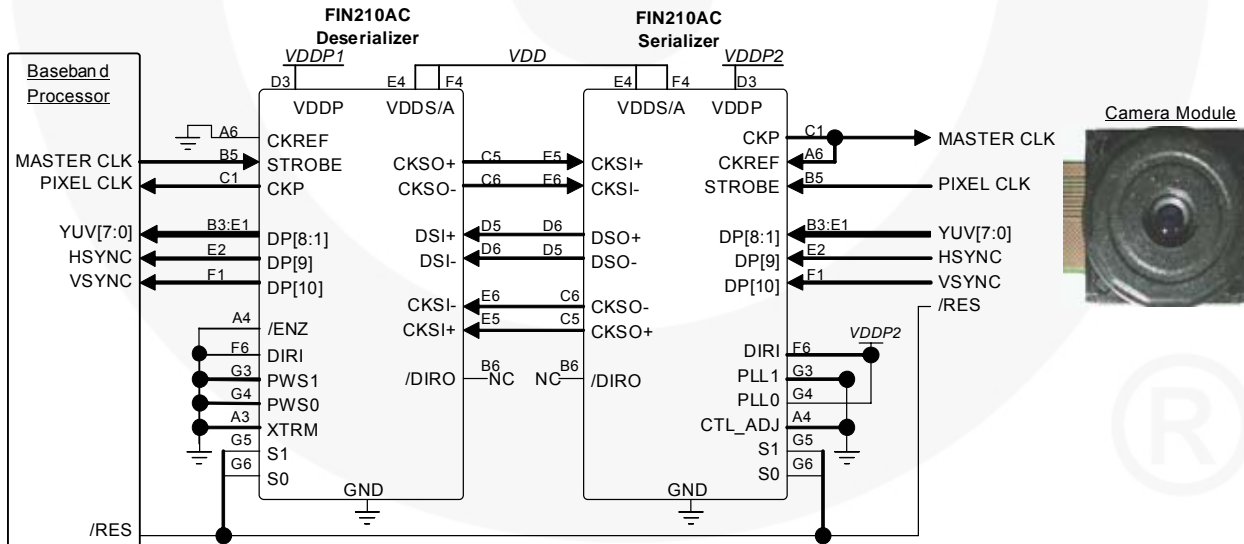
**Figure 4. 8-Bit RGB Application (Example Shows BGA 42-Pin Package)**

**Serializer Configuration:**

10MHz to 30MHz Frequency Range (S1=S0=1)  
Normal Mode (PLL1=0; PLL0=1)

**Deserializer Configuration:**

~4 – 5ns output edge rates (S1=S0=1)  
~50% CKP PW,(PWS1=PWS0=0)



**Figure 5. 8-Bit YUV 1.3MPixel CMOS Imager (Example Shows BGA 42-Pin Package)**

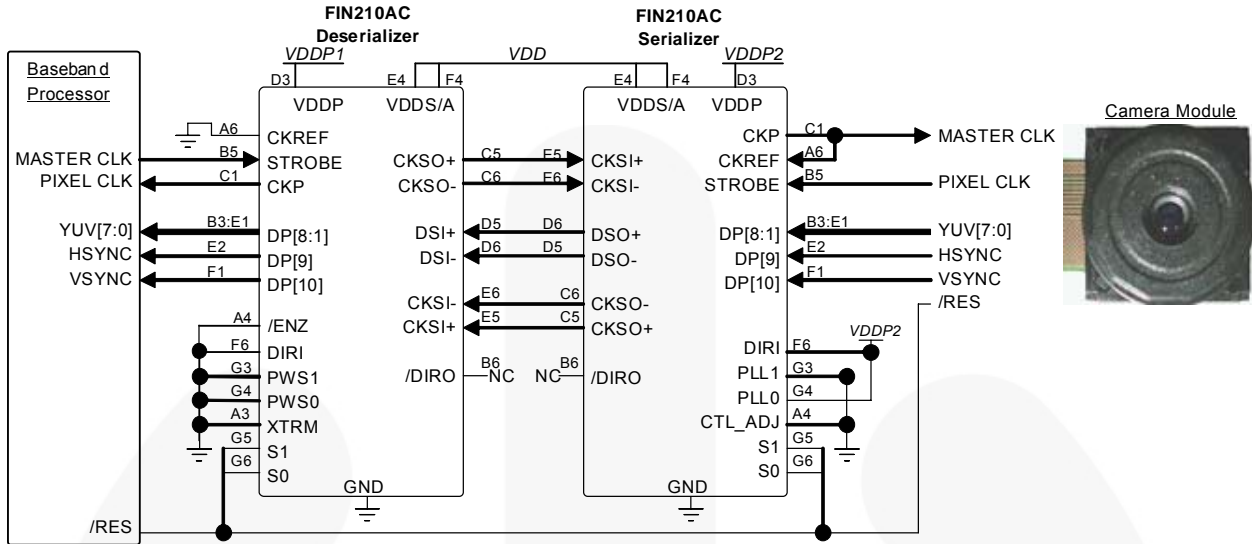
**Deserializer Configuration:**

~2 – 3ns output edge rates (S1=0, S0=1)  
~50% CKP PW,(PWS1=PWS0=0)

**Serializer Configuration:**

18MHz to 48MHz Frequency Range (S1=0, S0=1)  
Normal Mode (PLL1=0, PLL0=1)

### Application Diagrams (Continued)



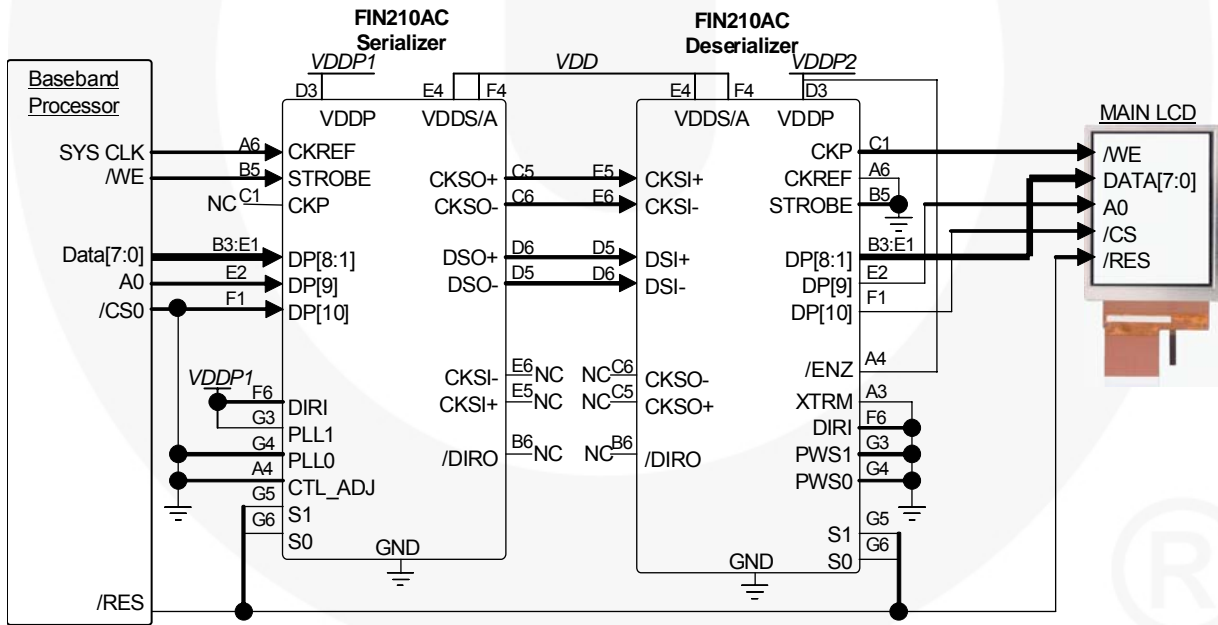
**Figure 6. 8-Bit YUV 1.3MPixel CMOS Imager In Clock Pass-Through Mode**

**Serializer Configuration:**

18MHz to 48MHz Frequency Range (S1=0, S0=1)  
 Normal Mode (PLL1=0; PLL0=1)  
 Master clock bypass mode.

**Deserializer Configuration:**

~2 – 3ns output edge rates (S1=0, S0=1)  
 ~50% CKP PW,(PWS1=PWS0=0)



**Figure 7. 8-Bit WRITE-Only Microcontroller Interface (Example Shows BGA 42-Pin Package)**

**Serializer Configuration:**

18MHz to 48MHz Frequency Range (S1=0, S0=1)  
 CKREF is twice as fast STROBE (PLL1=1; PLL0=0)  
 CKREF=26MHz & STROBE Frequency=10 MHz

**Deserializer Configuration:**

~7 – 8ns output edge rates (S1=1, S0=0)  
 ~50% CKP PW,(PWS1=PWS0=0)



## Additional Application Information

**Flex Cabling:** The serial I/O information is transmitted at a high serial rate. Care must be taken implementing this serial I/O flex cable. The following best practices should be used when developing the flex cabling or Flex PCB.

- Keep all four differential Serial Wires the same length.
- Do not allow noisy signals over or near differential serial wires.  
Example: No LVCMOS traces over differential serial wires.
- Use only one ground plane or wire over the differential serial wires. Do not run ground over top and bottom.
- Design goal of 100Ω differential characteristic impedance.
- Do not place test points on differential serial wires.
- Use differential serial wires a minimum of 2cm away from the antenna.
- For additional applications notes or flex guidelines see your sales representative or contact Fairchild directly.
- For samples and questions, please contact: [Interface@fairchildsemi.com](mailto:Interface@fairchildsemi.com).

## Absolute Maximum Ratings

Stresses exceeding the absolute maximum ratings may damage the device. The device may not function or be operable above the recommended operating conditions and stressing the parts to these levels is not recommended. In addition, extended exposure to stresses above the recommended operating conditions may affect device reliability. The absolute maximum ratings are stress ratings only.

Symbol	Parameter	Min.	Max.	Unit
V <sub>DD</sub>	Supply Voltage	-0.5V	+4.6	V
	All Input/Output Voltage	-0.5	V <sub>DD</sub> +0.5	V
	CTL Output Short-Circuit Duration	Continuous		
T <sub>STG</sub>	Storage Temperature Range	-65	+150	°C
T <sub>J</sub>	Maximum Junction Temperature	+150		°C
T <sub>L</sub>	Lead Temperature (Soldering, four seconds)	+260		°C
ESD	Human Body Model JESD22-A114	Serial I/O Pins to GND	12	kV
		All Pins	8	
	Charged Device Model, JESD22-C101		2	
	IEC61000-4-2		15	

## Recommended Operating Conditions

The Recommended Operating Conditions table defines the conditions for actual device operation. Recommended operating conditions are specified to ensure optimal performance to the datasheet specifications. Fairchild does not recommend exceeding them or designing to Absolute Maximum Ratings.

Symbol	Parameter	Min.	Max.	Unit
V <sub>DDA</sub> , V <sub>DDS</sub>	Supply Voltage	2.8	3.6	V
V <sub>DDP</sub>	Supply Voltage	1.65	3.60	V
T <sub>A</sub>	Operating Temperature	-30	+70	°C
V <sub>DDA-PP</sub>	Supply Noise Voltage	100		mV <sub>PP</sub>

## DC Electrical Characteristics

Values are provided for over-supply voltage and operating temperature ranges, unless otherwise specified.

Symbol	Parameter	Test Conditions	Min.	Typ. <sup>(3)</sup>	Max.	Unit
<b>LVC MOS I/O</b>						
V <sub>IH</sub>	Input High Voltage		0.65xV <sub>DDP</sub>		V <sub>DDP</sub>	
V <sub>IL</sub>	Input Low Voltage		GND		0.35xV <sub>DDP</sub>	V
V <sub>OH</sub>	Output High Voltage	I <sub>OH</sub> =-2.0mA, S1=0,S0=1	0.75xV <sub>DDP</sub>		V <sub>DDP</sub>	V
		I <sub>OH</sub> =-0.4mA, S1=1,S0=0				
		I <sub>OH</sub> =-1.0mA, S1=1,S0=1				
V <sub>OL</sub>	Output Low Voltage	I <sub>OL</sub> =2.0mA, S1=0,S0=1	0		0.25xV <sub>DDP</sub>	V
		I <sub>OL</sub> =0.4mA, S1=1,S0=0				
		I <sub>OL</sub> =1.0mA, S1=1,S0=1				
I <sub>IN</sub>	Input Current	V <sub>IN</sub> = 0V to 3.6V	-5.0		5.0	µA
<b>DIFFERENTIAL I/O</b>						
I <sub>ODH</sub>	Output HIGH Source Current	V <sub>OS</sub> =1.0V	CTL_ADJ=0	-4.1		mA
			CTL_ADJ=1	-5.3		
I <sub>ODL</sub>	Output LOW Sink Current	V <sub>OS</sub> =1.0V	CTL_ADJ=0	2.1		mA
			CTL_ADJ=1	3.1		
V <sub>GO</sub>	Input Voltage Ground Offset <sup>(4)</sup>			0		V
R <sub>TRM</sub>	CKS Internal Receiver Termination Resistor	V <sub>ID</sub> =50mV, V <sub>IC</sub> =925mV DIRI=0	80	100	120	Ω
			80	100	120	Ω
	DS Internal Receiver Termination Resistor	V <sub>ID</sub> =50mV, V <sub>IC</sub> =925mV DIRI=0	80	100	120	Ω

### Notes:

- Typical values are given for V<sub>DD</sub>=2.775V and T<sub>A</sub>=25°C. Positive current values refer to the current flowing into the device and negative values refer to the current flowing out of pins. Voltages are referenced to GROUND unless otherwise specified (except ΔV<sub>OD</sub> and V<sub>OD</sub>).
- V<sub>GO</sub> is the difference in device ground levels between the CTL driver and the CTL receiver.

## Power Supply Currents

Symbol	Parameter	Test Conditions	Min.	Typ.	Max.	Unit
I <sub>DD_PD</sub>	V <sub>DD</sub> Power-Down Supply Current	S1=S0=0, All Inputs at GND or VDD		0.1		µA
I <sub>DD_SER1</sub>	Dynamic Serializer Power Supply Current	f <sub>CKREF</sub> =f <sub>STRB</sub> , PLL1=0,PLL0=1; CTL_ADJ=0; C <sub>L</sub> =0pF	S1=L S0=H	20MHz	13	mA
				48MHz	21	mA
			S1=H S0=L	5MHz	10	mA
				14MHz	16	mA
			S1=H S0=H	8MHz	11	mA
				28MHz	18	mA
I <sub>DD_DES1</sub>	Dynamic Deserializer Power Supply Current	f <sub>CKREF</sub> =f <sub>STRB</sub> , PLL1=0,PLL0=1; CTL_ADJ=0; C <sub>L</sub> =0pF	S1=L S0=H	20MHz	10	mA
				48MHz	19	mA
			S1=H S0=L	5MHz	8	mA
				14MHz	9	mA
			S1=H S0=H	8MHz	9	mA
				28MHz	12	mA

## Pin Capacitance Tables

Symbol	Parameter	Test Conditions	Min.	Typ.	Max.	Unit
$C_{IN}, C_{IO}, C_{IO-DIFF}$	Capacitance of Input Only Signals; Parallel Port Pins DP[1:10]; Differential I/O	DIRI=1, S1=0, S0=0, $V_{DD}=2.5V$		2		pF

## AC Electrical Characteristics

Values are provided for over-supply voltage and operating temperature ranges, unless otherwise specified.

Symbol	Parameter	Test Conditions	Min.	Typ.	Max.	Unit	
<b>Serializer Input Operating Conditions</b>							
$f_{CKREF}$	CKREF Clock Frequency (5MHz - ≤ 48MHz);	$f_{CKREF}=f_{STRB}$	S1=0, S0=1	18		48	MHz
			S1=1, S0=0	5		15	
			S1=1, S0=1	10		30	
$f_{STRB}$	Strobe Frequency Relative to CKREF Frequency	$f_{CKREF} \neq f_{STRB}$	PLL1=0, PLL0=0			94.7	% of $f_{CKREF}$
			PLL1=0, PLL0=1			100	
			PLL1=1, PLL0=0			50	
			PLL1=1, PLL0=1			$33^{1/3}$	
$t_{CPWH}$	CKREF DC	$T=1/f_{CKREF}$	0.2	0.5	0.8	T	
$t_{CPWL}$	CKREF DC	$T=1/f_{CKREF}$	0.2	0.5	0.8	T	
$t_{CLKT}$	LVC MOS Input Transition Time <sup>(5)</sup>	10-90%			20	ns	
$t_{SPWH/L}$	STROBE Pulse Width HIGH/LOW	$T=1/f_{CKREF}$	$T \times 4/12$		$T \times 8/12$	ns	
$t_{STC}$	DP <sub>(n)</sub> Setup to STROBE (DIRI=1, f=5MHz)	Setup Time			2.5	ns	
		Hold Time			2.0	ns	
<b>Serializer AC Electrical Characteristics</b>							
$t_{TCCD}$	Transmitter Clock Input to Clock Output Delay <sup>(6)</sup>		19a+1.5		21a+6.5	ns	
<b>Phase Lock Loop (PLL) AC Electrical Characteristics</b>							
$t_{PLLS0}$	Serializer PLL Stabilization Time	CKREF Toggling and Stable	200		600	µs	
$t_{PLLD0}$	PLL Disable Time Loss of Clock				30.0	µs	
$t_{PLLD1}$	PLL Power-Down Time				20.0	ns	

Continued on the following page...

### AC Electrical Characteristics (Continued)

Values are provided for over-supply voltage and operating temperature ranges, unless otherwise specified.

Symbol	Parameter	Test Conditions	Min.	Typ.	Max.	Unit	
<b>Deserializer AC Electrical Characteristics</b>							
$t_{RCOL}$		$f_{STRB}=f_{CKREF}$	PWS1	PWS0			ns
			0	0	6a-3	6a+3	
			0	1	6a-3	6a+3	
			1	0	12a-3	12a+3	
$t_{PDV}$	<p>Setup: DIRI=0, CKSI and DS are valid signals.</p>	Data Valid to CKP HIGH (Rising Edge STROBE), $C_L=5pF$		8a-3	8a+3	ns	
$t_{RFD}$	Output Rise/Fall Time Data (20% to 80%)	$C_L=8pF$	S1=0,S0=1		3	ns	
			S1=1,S0=0		8		
			S1=1,S0=1		5		
$t_{RFC}$	Output Rise/Fall Time CKP (20% to 80%)	$C_L=8pF$	S1=0,S0=1		2	ns	
			S1=1,S0=0		7		
			S1=1,S0=1		4		

**Notes:**

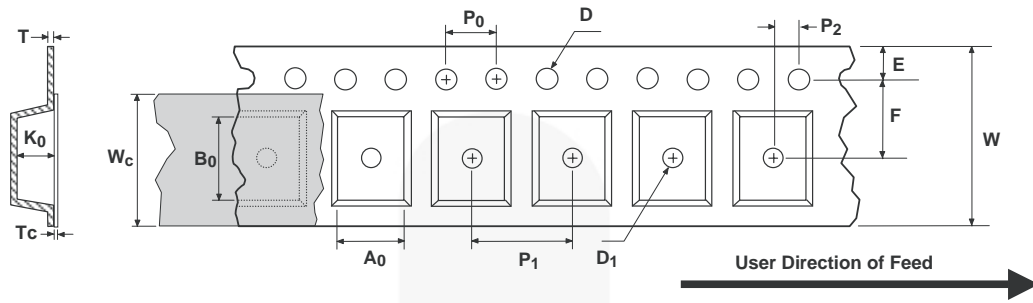
- Parameter is characterized, but not production tested.
- The average bit time "a" is a function of the serializer CKREF frequency;  $a=(1/f)/12$ .

### Logic Timing Controls

Symbol	Parameter	Test Conditions	Min.	Typ.	Max.	Unit
$t_{PHL\_DIR}, t_{PLH\_DIR}$	Propagation Delay DIRI to /DIRO	DIRI L->H or H->L			17	ns
$t_{PLZ}, t_{PHZ}$	Propagation Delay DIRI to DP	DIRI L->H or H->L			25	ns
$t_{DISDES}$	Deserializer Disable Time: S0 or S1 LOW to DP Tri-State; DIRI=0, 				25	ns
$t_{DISSER}$	Serializer Disable Time: S0 or S1 LOW to CKP HIGH	DIRI=1; S1(0) and S0(1)=H->L			25	ns

## Tape and Reel Specifications

### MLP Embossed Tape Dimensions

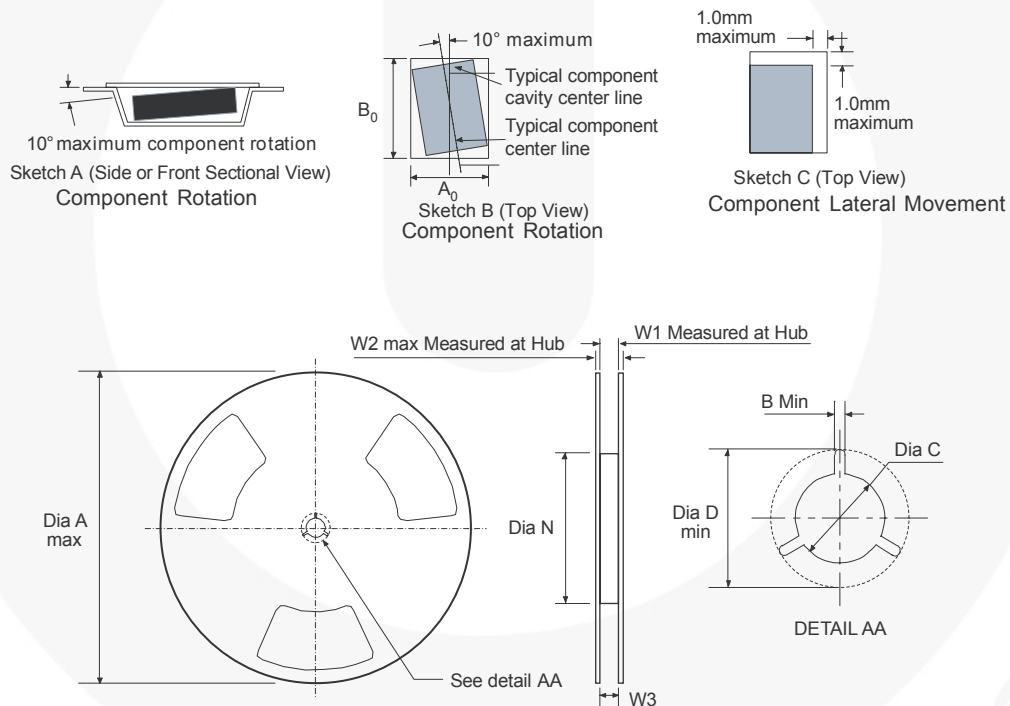


Package	A <sub>0</sub> ±0.1	B <sub>0</sub> ±0.1	D ±0.5	D <sub>1</sub> Min.	E ±0.1	F ±0.1	K <sub>0</sub> ±0.1	P <sub>1</sub> Typ.	P <sub>0</sub> Typ.	P <sub>2</sub> ±0.5	T Typ.	T <sub>c</sub> ±0/05	W ±0.3	W <sub>c</sub> Typ.
5 x 5	5.35	5.35	1.55	1.50	1.75	5.50	1.40	8.00	4.00	2.00	0.30	0.07	12.00	9.30
6 x 6	5.35	5.35	1.55	1.50	1.75	5.50	1.40	8.00	4.00	2.00	0.30	0.07	12.00	9.30

#### Notes:

A<sub>0</sub>, B<sub>0</sub>, and K<sub>0</sub> dimensions are determined with respect to the EIA/JEDEC RS-481 rotational and lateral movement requirements (see sketches A, B, and C).

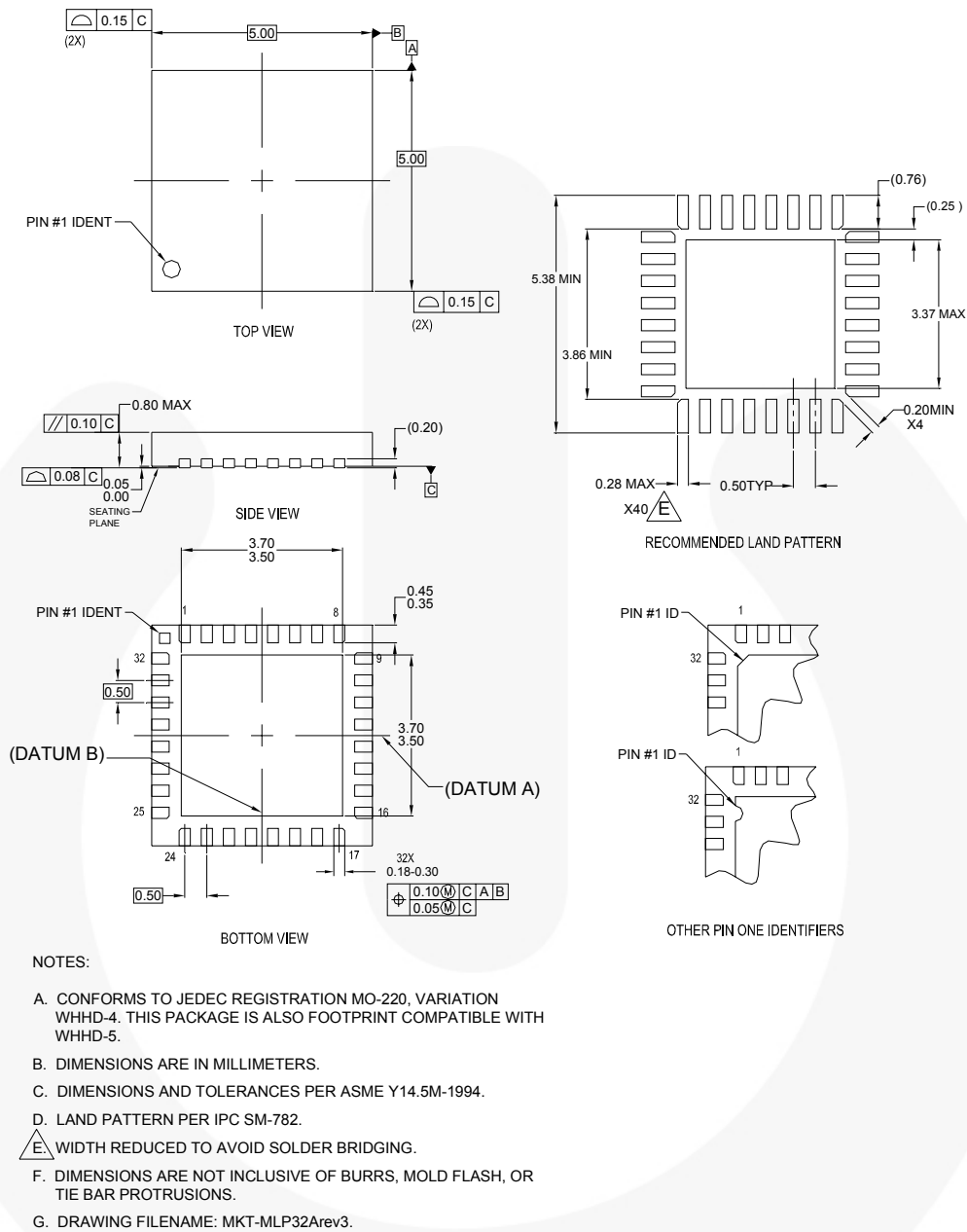
### MLP Shipping Reel Dimensions



Tape Width	Dia A Max.	Dim B Min.	Dia C +0.5/-0.2	Dia D Min.	Dim N Min.	Dim W1 +2.0/-0	Dim W2	Dim W3 (LSL-USL)
8	330.0	1.5	13.0	20.2	178.0.	8.4	14.4	7.9 ~ 10.4
12	330.0	1.5	13.0	20.2	178.0.	12.4	18.4	11.9 ~ 15.4
16	330.0	1.5	13.0	20.2	178.0.	16.4	22.4	15.9 ~ 19.4

Figure 8. MLP Tape and Reel

## Physical Dimensions



**Figure 9. 32-Lead, Molded Leadless Package (MLP)**

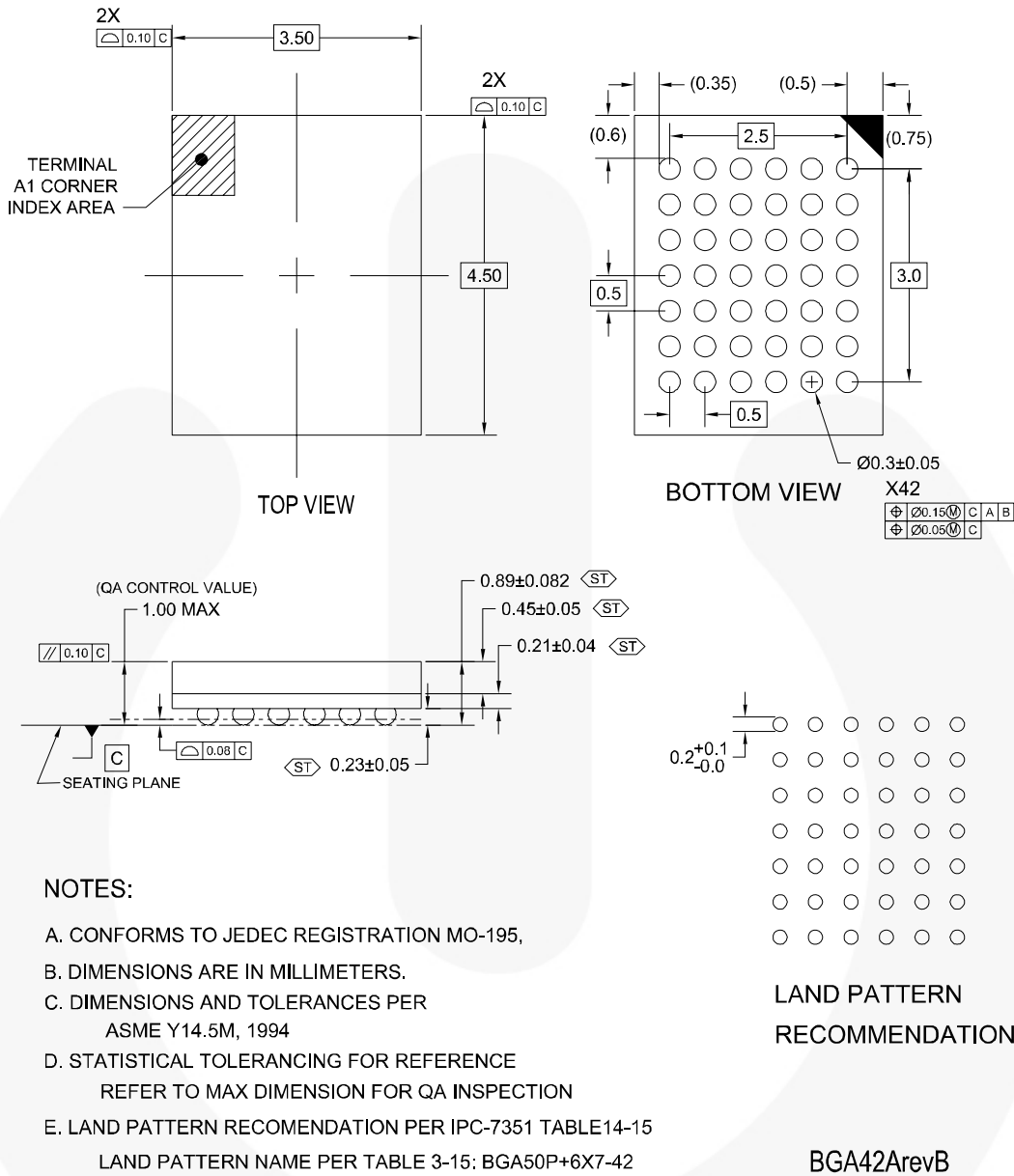
Order Number	Operating Temperature Range	Package Description	Eco Status	Packing Method
FIN210ACMLX	-30 to 70°C	32-Terminal Molded Leadless Package (MLP), Quad, JEDEC MO-220, 5mm Square	Green	Tape & Reel

For Fairchild's definition of Eco Status, please visit: [http://www.fairchildsemi.com/company/green/rohs\\_green.html](http://www.fairchildsemi.com/company/green/rohs_green.html).

Package drawings are provided as a service to customers considering Fairchild components. Drawings may change in any manner without notice. Please note the revision and/or date on the drawing and contact a Fairchild Semiconductor representative to verify or obtain the most recent revision. Package specifications do not expand the terms of Fairchild's worldwide terms and conditions, specifically the warranty therein, which covers Fairchild products.

Always visit Fairchild Semiconductor's online packaging area for the most recent package drawings: <http://www.fairchildsemi.com/packaging/>.

**Physical Dimensions** (Continued)



**Figure 10. 42-Ball, Ball Grid Array (BGA) Package**

*Note: Click here for tape and reel specifications, available at: [http://www.fairchildsemi.com/products/analog/pdf/bga42\\_tr.pdf](http://www.fairchildsemi.com/products/analog/pdf/bga42_tr.pdf)*

Order Number	Operating Temperature Range	Package Description	Eco Status	Packing Method
FIN210ACGFX	-30 to 70°C	42-Ball Ultra Small-Scale Ball Grid Array (USS-BGA), JEDEC MO-195, 3.5 x 4.5mm Wide, 0.5mm Ball Pitch	RoHS	Tape & Reel

For Fairchild's definition of Eco Status, please visit: [http://www.fairchildsemi.com/company/green/rohs\\_green.html](http://www.fairchildsemi.com/company/green/rohs_green.html).

Package drawings are provided as a service to customers considering Fairchild components. Drawings may change in any manner without notice. Please note the revision and/or date on the drawing and contact a Fairchild Semiconductor representative to verify or obtain the most recent revision. Package specifications do not expand the terms of Fairchild's worldwide terms and conditions, specifically the warranty therein, which covers Fairchild products.


Always visit Fairchild Semiconductor's online packaging area for the most recent package drawings: <http://www.fairchildsemi.com/packaging/>.





**TRADEMARKS**

The following includes registered and unregistered trademarks and service marks, owned by Fairchild Semiconductor and/or its global subsidiaries, and is not intended to be an exhaustive list of all such trademarks.

- |   |   |   |   |
|---|---|---|---|
| Auto-SPM™   | F-PFS™  | PowerTrench®  | The Power Franchise®  |
| Build it Now™   | FRFET®  | PowerXS™  | <b>the power franchise</b>  |
| CorePLUS™   | Global Power Resource™  | Programmable Active Droop™  | TinyBoost™  |
| CorePOWER™  | Green FPS™  | QFET®   | TinyBuck™   |
| CROSSVOLT™  | Green FPS™ e-Series™  | QS™   | TinyLogic®  |
| CTL™  | Gmax™   | Quiet Series™   | TINYOPTO™   |
| Current Transfer Logic™   | GTO™  | RapidConfigure™   | TinyPower™  |
| EcoSPARK®   | IntelliMAX™   |  ™ | TinyPWM™  |
| EfficientMax™   | ISOPLANAR™  | Saving our world, 1mW/WkW at a time™  | TinyWire™   |
| EZSWITCH™   | MegaBuck™   | SmartMax™   | TriFault Detect™  |
|  ™ | MICROCOUPLER™   | SMART START™  | TRUECURRENT™  |
|  ™ | MicroFET™   | SPM®  | µSerDes™  |
| Fairchild®  | MicroPak™   | STEALTH™  |  ™ |
| Fairchild Semiconductor®  | MillerDrive™  | SuperFET™   | UHC®  |
| FACT Quiet Series™  | MotionMax™  | SuperSOT™.3   | Ultra FRFET™  |
| FACT®   | Motion-SPM™   | SuperSOT™.6   | UniFET™   |
| FAST®   | OPTOLOGIC®  | SuperSOT™.8   | VCX™  |
| FastvCore™  | OPTOPLANAR®   | SupreMOS™   | VisualMax™  |
| FETBench™   |  ™ | SyncFET™  | XST™  |
| FlashWriter®  | PDP SPM™  | Sync-Lock™  |   |
| FPS™  | Power-SPM™  |  ™ |   |

\* Trademarks of System General Corporation, used under license by Fairchild Semiconductor.

**DISCLAIMER**

FAIRCHILD SEMICONDUCTOR RESERVES THE RIGHT TO MAKE CHANGES WITHOUT FURTHER NOTICE TO ANY PRODUCTS HEREIN TO IMPROVE RELIABILITY, FUNCTION, OR DESIGN. FAIRCHILD DOES NOT ASSUME ANY LIABILITY ARISING OUT OF THE APPLICATION OR USE OF ANY PRODUCT OR CIRCUIT DESCRIBED HEREIN, NEITHER DOES IT CONVEY ANY LICENSE UNDER ITS PATENT RIGHTS, NOR THE RIGHTS OF OTHERS. THESE SPECIFICATIONS DO NOT EXPAND THE TERMS OF FAIRCHILD'S WORLDWIDE TERMS AND CONDITIONS, SPECIFICALLY THE WARRANTY THEREIN, WHICH COVERS THESE PRODUCTS.

**LIFE SUPPORT POLICY**

FAIRCHILD'S PRODUCTS ARE NOT AUTHORIZED FOR USE AS CRITICAL COMPONENTS IN LIFE SUPPORT DEVICES OR SYSTEMS WITHOUT THE EXPRESS WRITTEN APPROVAL OF FAIRCHILD SEMICONDUCTOR CORPORATION.

As used herein:

1. Life support devices or systems are devices or systems which, (a) are intended for surgical implant into the body or (b) support or sustain life, and (c) whose failure to perform when properly used in accordance with instructions for use provided in the labeling, can be reasonably expected to result in a significant injury of the user.
2. A critical component in any component of a life support, device, or system whose failure to perform can be reasonably expected to cause the failure of the life support device or system, or to affect its safety or effectiveness.

**ANTI-COUNTERFEITING POLICY**

Fairchild Semiconductor Corporation's Anti-Counterfeiting Policy. Fairchild's Anti-Counterfeiting Policy is also stated on our external website, [www.fairchildsemi.com](http://www.fairchildsemi.com), under Sales Support.

Counterfeiting of semiconductor parts is a growing problem in the industry. All manufacturers of semiconductor products are experiencing counterfeiting of their parts. Customers who inadvertently purchase counterfeit parts experience many problems such as loss of brand reputation, substandard performance, failed applications, and increased cost of production and manufacturing delays. Fairchild is taking strong measures to protect ourselves and our customers from the proliferation of counterfeit parts. Fairchild strongly encourages customers to purchase Fairchild parts either directly from Fairchild or from Authorized Fairchild Distributors who are listed by country on our web page cited above. Products customers buy either from Fairchild directly or from Authorized Fairchild Distributors are genuine parts, have full traceability, meet Fairchild's quality standards for handling and storage and provide access to Fairchild's full range of up-to-date technical and product information. Fairchild and our Authorized Distributors will stand behind all warranties and will appropriately address any warranty issues that may arise. Fairchild will not provide any warranty coverage or other assistance for parts bought from Unauthorized Sources. Fairchild is committed to combat this global problem and encourage our customers to do their part in stopping this practice by buying direct or from authorized distributors.

**PRODUCT STATUS DEFINITIONS**

**Definition of Terms**

Datasheet Identification	Product Status	Definition
Advance Information	Formative / In Design	Datasheet contains the design specifications for product development. Specifications may change in any manner without notice.
Preliminary	First Production	Datasheet contains preliminary data; supplementary data will be published at a later date. Fairchild Semiconductor reserves the right to make changes at any time without notice to improve design.
No Identification Needed	Full Production	Datasheet contains final specifications. Fairchild Semiconductor reserves the right to make changes at any time without notice to improve the design.
Obsolete	Not In Production	Datasheet contains specifications on a product that is discontinued by Fairchild Semiconductor. The datasheet is for reference information only.

Rev. 140