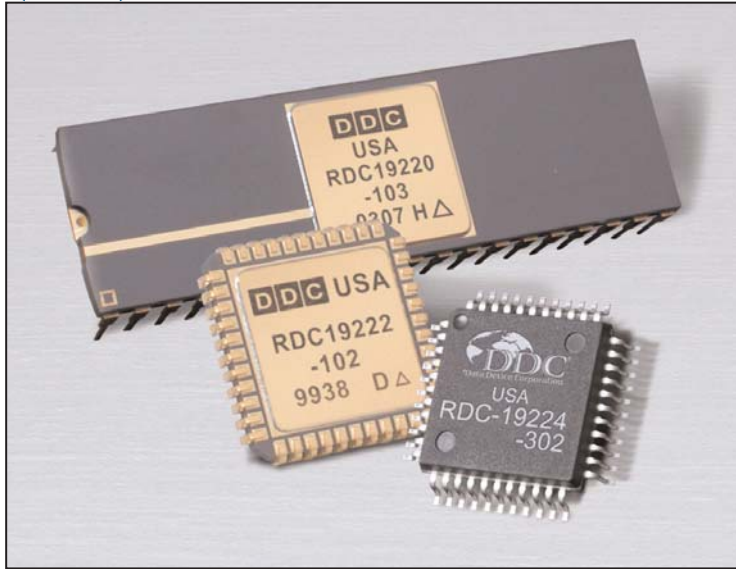


RDC-19220/2/4 SERIES 16-BIT MONOLITHIC TRACKING RESOLVER (LVDT)-TO-DIGITAL CONVERTERS

Make sure the next
Card you purchase
has...



FEATURES

- +5 Volt Only Option
- Only Five External Passive Components
- Programmable:
 - Resolution: 10-, 12-, 14-, or 16-Bit
 - Bandwidth: to 1200 Hz
 - Tracking: to 2300 RPS
- Differential Resolver and LVDT Input Modes
- Velocity Output Eliminates Tachometer
- Built-In-Test (BIT) Output
- No 180° Hang-Up
- Small Size: Available in DDIP, PLCC or MQFP Packages
- -55° to +125°C Operating Temperature Available
- Programmable for LVDT input

DESCRIPTION

The RDC-19220 Series of converters are low-cost, versatile, 16-bit monolithic, state-of-the-art Resolver/(LVDT)-to-Digital Converters. These single-chip converters are available in small 40-pin DDIP, 44-pin J-Lead, and 44-pin MQFP packages and offer programmable features such as resolution, bandwidth and velocity output scaling.

Resolution programming allows selection of 10-, 12-, 14-, or 16-bit, with accuracies to 2.3 min. This feature combines the high tracking rate of a 10-bit converter with the precision and low-speed velocity resolution of a 16-bit converter in one package.

The velocity output (VEL) from the RDC-19220 Series, which can be used to replace a tachometer, is a 4 V signal (3.5 V with the +5 V only option) referenced to ground with a linearity of 0.75% of output voltage. The full scale value of VEL is set by the user with a single resistor.

RDC-19220 Series converters are available with operating temperature ranges of 0° to +70°C, -40° to +85°C and -55° to +125°C. Military processing is available.

APPLICATIONS

With its low cost, small size, high accuracy and versatile performance, the RDC-19220 Series converter is ideal for use in modern high-performance industrial and military control systems. Typical applications include motor control, radar antenna positioning, machine tool control, robotics, and process control. MIL-PRF-38534 processing is available for military applications.



Data Device Corporation
105 Wilbur Place
Bohemia, New York 11716
631-567-5600 Fax: 631-567-7358
www.ddc-web.com

FOR MORE INFORMATION CONTACT:

Technical Support:
1-800-DDC-5757 ext. 7771

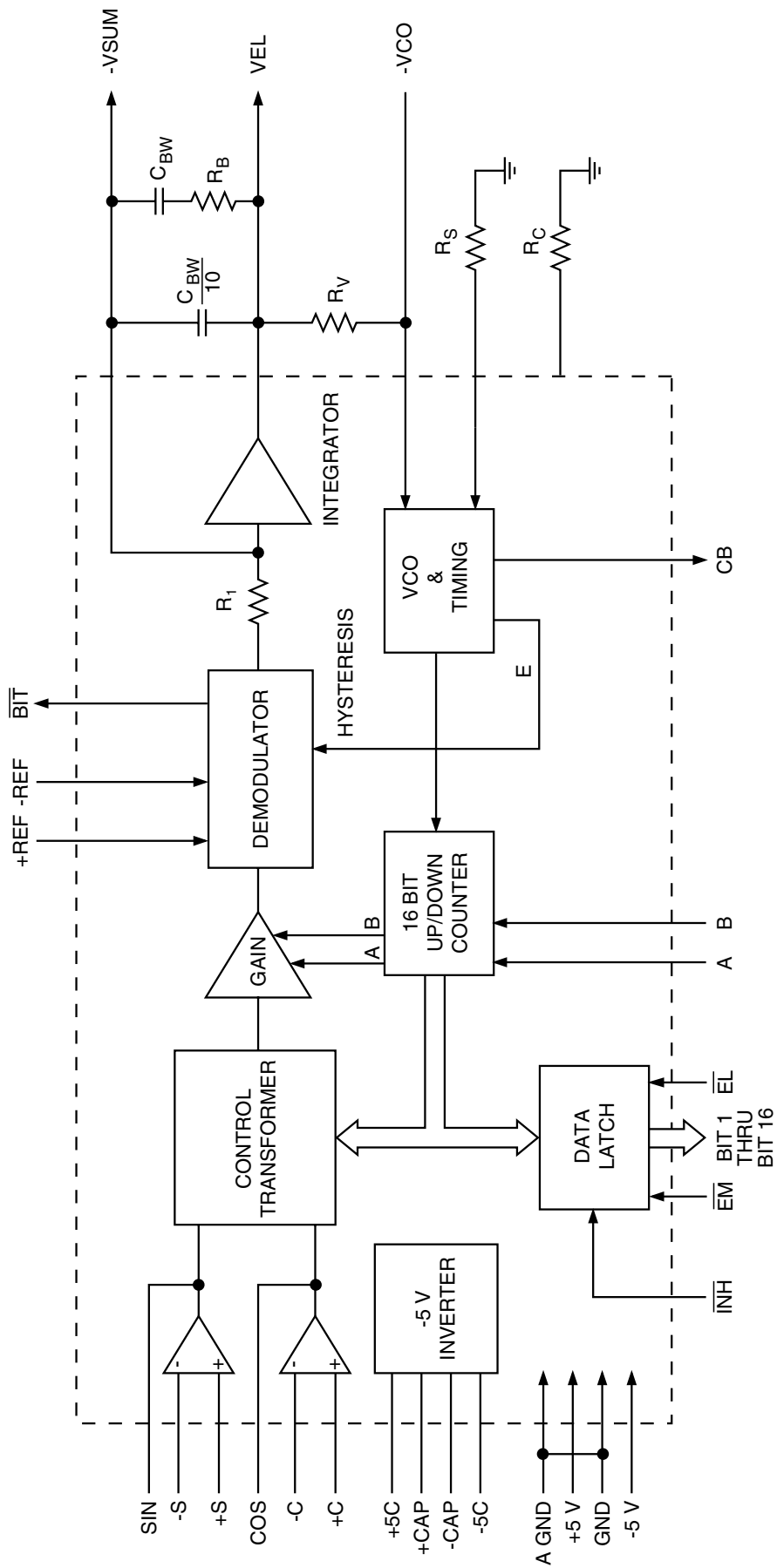


FIGURE 1. RDC-19220 SERIES BLOCK DIAGRAM

TABLE 1. RDC-19220 SERIES SPECIFICATIONS

These specifications apply over the rated power supply, temperature and reference frequency ranges, and 10% signal amplitude variation and harmonic distortion.

PARAMETER	UNIT	VALUE																																				
RESOLUTION	Bits	10, 12, 14, or 16																																				
ACCURACY	Min	4 or 2 + 1 LSB (note 3)																																				
REPEATABILITY	LSB	1 max																																				
DIFFERENTIAL LINEARITY	LSB	1 max in the 16th bit																																				
REFERENCE		(+REF, -REF) Differential																																				
Type		Differential																																				
Voltage:																																						
differential	V _{P-P}	10 max																																				
single ended	V _P	±5 max																																				
overload	V	±25 continuous, 100 transient																																				
Frequency	Hz	DC to 40,000 (note 4 & note 9)																																				
Input Impedance	Ohm	10M min // 20 pf																																				
SIGNAL INPUT		(+S, -S, SIN, +C, -C, COS)																																				
Type		Resolver, differential, groundbased																																				
Voltage: operating	V _{rms}	2 ±15%																																				
overload	V	±25 continuous																																				
Input impedance	Ohm	10M min//10 pf.																																				
DIGITAL INPUT/OUTPUT		(Note 6)																																				
Logic Type		TTL/CMOS compatible																																				
Inputs		Logic 0 = 0.8 V max. Logic 1 = 2.0 V min. Loading =10 µA max pull-up current source to +5 V //5 pF max. CMOS transient protected																																				
Inhibit ($\overline{\text{INH}}$)		Logic 0 inhibits; Data stable within 0.3 µs																																				
Enable Bits 1 to 8 ($\overline{\text{EM}}$)		Logic 0 enables;Data stable with -in 150 ns (logic 0=Transparent)																																				
Enable Bits 9 to 16 ($\overline{\text{EL}}$)		Logic 1 = High Impedance Data High Z within 100 nS																																				
Resolution and Mode Control (A & B) (see notes 1 and 2. pre-set to logic 1 note 6)		<table border="1"> <thead> <tr> <th>Mode</th> <th>B</th> <th>A</th> <th>Resolution</th> </tr> </thead> <tbody> <tr> <td>resolver</td> <td>0</td> <td>0</td> <td>10 bits</td> </tr> <tr> <td>"</td> <td>0</td> <td>1</td> <td>12 bits</td> </tr> <tr> <td>"</td> <td>1</td> <td>0</td> <td>14 bits</td> </tr> <tr> <td>"</td> <td>1</td> <td>1</td> <td>16 bits</td> </tr> <tr> <td>LVDT</td> <td>-5 V</td> <td>0</td> <td>8 bits</td> </tr> <tr> <td>"</td> <td>0</td> <td>-5 V</td> <td>10 bits</td> </tr> <tr> <td>"</td> <td>1</td> <td>-5 V</td> <td>12 bits</td> </tr> <tr> <td>"</td> <td>-5 V</td> <td>-5 V</td> <td>14 bits</td> </tr> </tbody> </table>	Mode	B	A	Resolution	resolver	0	0	10 bits	"	0	1	12 bits	"	1	0	14 bits	"	1	1	16 bits	LVDT	-5 V	0	8 bits	"	0	-5 V	10 bits	"	1	-5 V	12 bits	"	-5 V	-5 V	14 bits
Mode	B	A	Resolution																																			
resolver	0	0	10 bits																																			
"	0	1	12 bits																																			
"	1	0	14 bits																																			
"	1	1	16 bits																																			
LVDT	-5 V	0	8 bits																																			
"	0	-5 V	10 bits																																			
"	1	-5 V	12 bits																																			
"	-5 V	-5 V	14 bits																																			
Outputs																																						
Parallel Data (1-16)		10, 12, 14, or 16 parallel lines; natural binary angle positive logic (see TABLE 2)																																				
Converter Busy (CB)		0.25 to 0.75 µs positive pulse leading edge initiates counter update.																																				
Zero Index		Logic 1 at all 0s (ENL to -5 V); LSBs are enabled																																				
Built-in-Test ($\overline{\text{BIT}}$)	(ZL)	Logic 0 for $\overline{\text{BIT}}$ condition. ±100 LSBs of error typ. with a filter of 500 µS, or total Loss-of-Signal (LOS)																																				
Drive Capability		50 pF + Logic 0; 1 TTL load, 1.6 mA at 0.4 V max Logic 1; 10 TTL loads, = 0.4 mA at 2.8 V min Logic 0; 100 mV max driving CMOS Logic 1; +5 V supply minus 100mV min driving CMOS, High Z; 10 uA/5 pF max																																				

TABLE 1. RDC-19220 SERIES SPECS (CONT'D)

These specifications apply over the rated power supply, temperature and reference frequency ranges, and 10% signal amplitude variation and harmonic distortion.

PARAMETER	UNIT	VALUE
DYNAMIC CHARACTERISTICS		(at maximum bandwidth)
Resolution	bits	10 12 14 16
Tracking Rate (max)(note 4)	rps	1152 288 72 18
Bandwidth(Closed Loop) (max) (note 4)	Hz	1200 1200 600 300
Ka (Note 7)	1/sec ²	5.7M 5.7M 1.4M 360k
A1	1/sec	19.5 19.5 4.9 1.2
A2	1/sec	295k 295k 295k 295k
A	1/sec	2400 2400 1200 600
B	1/sec	1200 1200 600 300
Acceleration (1 LSB lag)	deg/s ²	2M 500k 30k 2k
Settling Time(179° step)	msec	2 8 20 50
VELOCITY CHARACTERISTICS		
Polarity		Positive for increasing angle
Voltage Range(Full Scale)	V	±4 (at nominal ps)
Scale Factor Error	%	10 typ 20 max
Scale Factor TC	PPM/C	100 typ 200 max
Reversal Error	%	0.75 typ 1.3 max
Linearity	%	0.25 typ 0.50 max
Zero Offset	mv	5 typ 10 max
Zero Offset TC	µV/C	15 typ 30max
Load	kΩ	8 min
Noise	(mV)%	1 typ .125 min 2 max
POWER SUPPLIES		(note 5)
Nominal Voltage	V	+5 -5
Voltage Range	%	±5 ±5
Max Volt. w/o Damage	V	+7 -7
Current	mA	14 typ, 22 max (each)
TEMPERATURE RANGE		
Operating (Case)		
-30X	°C	0 to +70
-20X	°C	-40 to +85
-10X	°C	-55 to +125
-A0X	°C	-40 to +125
Storage		
plastic package	°C	-65 to +150
ceramic package	°C	-65 to +150
MOISTURE SENSITIVITY LEVEL MQFP RDC-19224	JEDEC	2
THERMAL RESISTANCE		
Junction-to-Case (θ _{jc})		
40-pin DDIP (ceramic)	°C/W	4.6
44-pin J-Lead (ceramic)	°C/W	2.4
PHYSICAL CHARACTERISTICS		
Size: 40-pin DDIP	in(mm)	2.0 x 0.6 x 0.2 (50.8 x 15.24 x 5.08)
44-pin J-Lead	in(mm)	0.690 square (17.526)
44-pin MQFP	in(mm)	0.394 square (10.0)
Weight:		Plastic Ceramic
40-pin DDIP	oz(g)	n/a 0.24 (6.80)
44-pin J-Lead	oz(g)	n/a 0.065 (1.84)
44-pin MQFP	oz(g)	0.017 (0.5) n/a

Notes for TABLE 1:(from previous page)

1. Unused data bits are set to logic "0."
2. In LVDT mode, bit 16 is LSB for 14-bit resolution or bit 12 is LSB for 10-bit resolution.
3. Accuracy spec below for LVDT mode, null to + full scale travel (45 degrees).(2 wire-LVDT configuration).
 - 4 Min part = 0.15% + 1 LSB of full scale "resolution set".
 - 2 Min part = 0.07% + 1 LSB of full scale "resolution set"
 Accuracy spec below for LVDT mode, null to + full scale travel (90 degrees).(3 wire-LVDT configuration).
 - 4 Min part = 0.07% + 1 LSB of full scale "resolution set".
 - 2 Min part = 0.035% + 1 LSB of full scale "resolution set"
- Note that this is the converter spec only and does not consider the front end external resistor tolerances.
4. See text, General Setup Considerations and HigherTracking Rates.
5. See text: General Setup Considerations for RDC19222.
6. Any unused input pins may be left floating (unconnected). All input pins are internally pulled-up to +5 Volts.
7. K_a = Acceleration constant, for a full definition see the RD/RDC application manual acceleration lag section.
8. When using internally generated -5V, the internal -5V charge pump when measured at the converter pin, can read as low as -20% (or -4V).
9. No 180° hangup with A/C reference.

ϕ . Its output is an analog error angle, or difference angle, between the two inputs. The CT performs the ratiometric trigonometric computation of $\text{SIN}\theta\text{COS}\phi - \text{COS}\theta\text{SIN}\phi = \text{SIN}(\theta-\phi)$ using amplifiers, switches, logic and capacitors in precision ratios.

Note: The transfer function of the CT is normally trigonometric, but in LDVT mode the transfer function is triangular (linear) and could thereby convert any linear transducer output.

THEORY OF OPERATION

The RDC-19220 Series of converters are single CMOS custom monolithic chips. They are implemented using the latest IC technology which merges precision analog circuitry with digital logic to form a complete, high-performance tracking Resolver-to-Digital converter. For user flexibility and convenience, the converter bandwidth, dynamics and velocity scaling are externally set with passive components.

FIGURE 1 is the functional block diagram of the RDC-19220 Series. The converter operates with ± 5 Vdc power supplies. Analog signals are referenced to analog ground, which is at ground potential. The converter is made up of two main sections; a converter and a digital interface. The converter front-end consists of sine and cosine differential input amplifiers. These inputs are protected to ± 25 V with 2 k Ω resistors and diode clamps to the ± 5 Vdc supplies. These amplifiers feed the high accuracy Control Transformer (CT). Its other input is the 16-bit digital angle

TABLE 2. DIGITAL ANGLE OUTPUTS		
BIT	DEG/BIT	MIN/BIT
1(MSB)	180	10800
2	90	5400
3	45	2700
4	22.5	1350
5	11.25	675
6	5.625	337.5
7	2.813	168.75
8	1.405	84.38
9	0.7031	42.19
10	0.3516	21.09
11	0.1758	10.55
12	0.0879	5.27
13	0.0439	2.64
14	0.0220	1.32
15	0.0110	0.66
16	0.0055	0.33

Note: \overline{EM} enables the MSBs and \overline{EL} enables the LSBs.

The converter accuracy is limited by the precision of the computing elements in the CT. For enhanced accuracy, the CT in these converters uses capacitors in precision ratios, instead of the more conventional precision resistor ratios. Capacitors, used as computing elements with op-amps, need to be sampled to eliminate voltage drifting. Therefore, the circuits are sampled at a high rate (67 kHz) to eliminate this drifting and at the same time to cancel out the op-amp offsets.

The error processing is performed using the industry standard technique for type II tracking R/D converters. The dc error is integrated yielding a velocity voltage which in turn drives a voltage controlled oscillator (VCO). This VCO is an incremental integrator (constant voltage input to position rate output) which togeth-

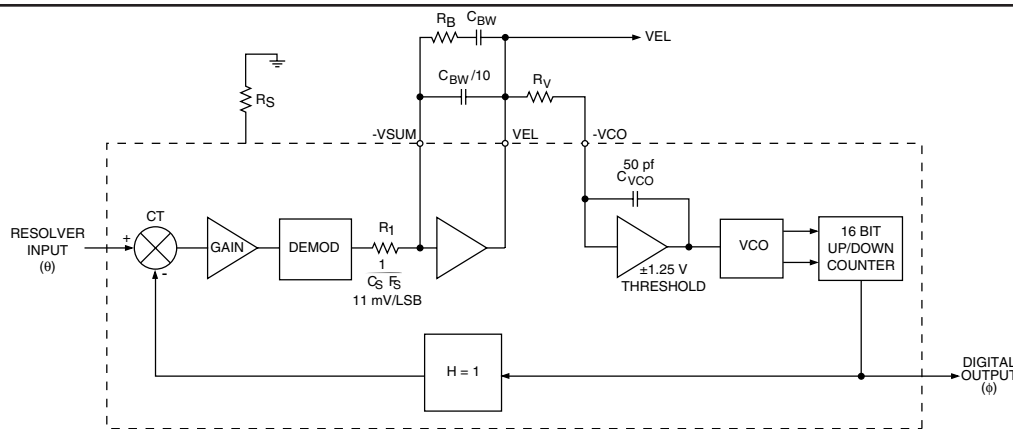


FIGURE 2. TRANSFER FUNCTION BLOCK DIAGRAM #1

er with the velocity integrator forms a type II servo feedback loop. A lead in the frequency response is introduced to stabilize the loop and another lag at higher frequency is introduced to reduce the gain and ripple at the carrier frequency and above. The settings of the various error processor gains and break frequencies are done with external resistors and capacitors so that the converter loop dynamics can be easily controlled by the user.

TRANSFER FUNCTION AND BODE PLOT

The dynamic performance of the converter can be determined from its Transfer Function Block Diagrams and its Bode Plots (open and closed loop). These are shown in FIGURES 2, 3, and 4.

The open loop transfer function is as follows:

$$\text{Open Loop Transfer Function} = \frac{A^2 \left(\frac{s}{B} + 1 \right)}{s^2 \left(\frac{s}{10B} + 1 \right)}$$

where A is the gain coefficient and $A^2 = A_1 A_2$

and B is the frequency of lead compensation.

The components of gain coefficient are error gradient, integrator gain and VCO gain. These can be broken down as follows:

- Error Gradient = 0.011 volts per LSB (CT + Error Amp + Demod with 2 Vrms input)

- Integrator Gain = $\frac{C_s F_s}{1.1 C_{BW}}$ volts per second per volt

- VCO Gain = $\frac{1}{1.25 R_v C_{VCO}}$ LSBs per second per volt

where: $C_s = 10 \text{ pF}$
 $F_s = 67 \text{ kHz}$ when $R_s = 30 \text{ k}\Omega$
 $F_s = 100 \text{ kHz}$ when $R_s = 20 \text{ k}\Omega$
 $F_s = 134 \text{ kHz}$ when $R_s = 15 \text{ k}\Omega$
 $C_{VCO} = 50 \text{ pF}$

R_v , R_B , and C_{BW} are selected by the user to set velocity scaling and bandwidth.

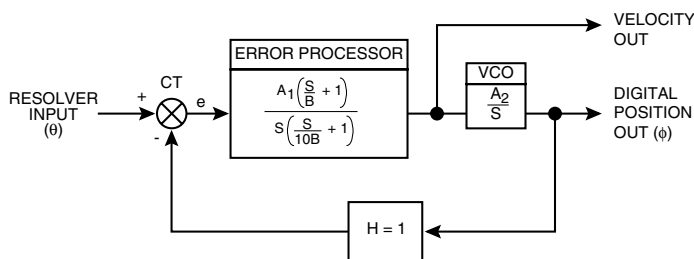


FIGURE 3. TRANSFER FUNCTION BLOCK DIAGRAM #2

GENERAL SETUP CONSIDERATIONS

Note: For detailed application and technical information see the RD/RDC converter applications manual which is available for download from the DDC web site @ www.ddc-web.com.

DDC has external component selection software which considers all the criteria below, and in a simple fashion, asks the key parameters (carrier frequency, resolution, bandwidth, and tracking rate) to derive the external component value.

The following recommendations should be considered when installing the RDC-19220 Series R/D converters:

- 1) In setting the bandwidth (BW) and Tracking Rate (TR) (selecting five external components), the system requirements need to be considered. For greatest noise immunity, select the minimum BW and TR the system will allow.
- 2) +5 and -5 volt operation:

Power supplies are $\pm 5 \text{ V}$ dc. For lowest noise performance it is recommended that a $0.1 \mu\text{F}$ or larger cap be connected from each supply to ground near the converter package. When using a +5V and -5V supply to power the converter, RDC-19222 pins 22, 23, 25, 26 must be no connection, and on RDC-19224 pins 20, 40, 16, 11, must be no connection. Also, the 10uF cap is not connected to +cap and -cap pins.

- 3) This converter has 2 internal ground planes, which reduce noise to the analog input due to digital ground currents. The resolver inputs and velocity output are referenced to AGND. The digital outputs and inputs are referenced to GND. The AGND and GND pins must be tied together as close to the converter package as possible. Not shorting these pins together as close to the converter package as possible will cause unstable converter results.

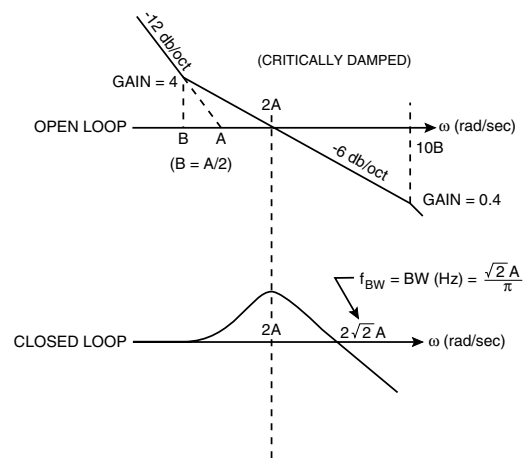


FIGURE 4. BODE PLOTS

- 4) The $\overline{\text{BIT}}$ output which is active low is activated by an error of approximately 100 LSBs. During normal operation for step inputs or on power up, a large error can exist.
- 5) This device has several high impedance amplifier inputs (+C, -C, +S, -S, -VCO and -VSUM). These nodes are sensitive to noise and coupling components should be connected as close as possible.
- 6) Setup of bandwidth and velocity scaling for the optimized critically damped case should proceed as follows:

- Select the desired f_{BW} (closed loop) based on overall system dynamics.
- Select $f_{\text{carrier}} \geq 3.5f_{\text{BW}}$
- Select the applications tracking rate (in accordance with TABLE 3), and use appropriate values for R SET and R CLK
- Compute $R_v = \frac{\text{Full Scale Velocity Voltage}}{\text{Tracking Rate (rps)} \times 2 \text{ resolution} \times 50 \text{ pF} \times 1.25 \text{ V}}$
- Compute $C_{\text{BW}} \text{ (pF)} = \frac{3.2 \times F_s \text{ (Hz)} \times 10^8}{R_v \times (f_{\text{BW}})^2}$
- Where $F_s = 67 \text{ kHz}$ for R CLK = 30 K Ω
 100 kHz for R CLK = 20 K Ω
 125 kHz for R CLK = 15 K Ω
- Compute $R_B = \frac{0.9}{C_{\text{BW}} \times f_{\text{BW}}}$
- Compute $\frac{C_{\text{BW}}}{10}$

As an example:

Calculate component values for a 16-bit converter with 100Hz bandwidth, a tracking rate of 10RPS and a full scale velocity of 4 volts.

- $R_v = \frac{4 \text{ V}}{10 \text{ rps} \times 2^{16} \times 50 \text{ pF} \times 1.25 \text{ V}} = 97655 \Omega$
- Compute $C_{\text{BW}} \text{ (pF)} = \frac{3.2 \times 67 \text{ kHz} \times 10^8}{97655 \times 100 \text{ Hz}^2} = 21955 \text{ pF}$
- Compute $R_B = \frac{0.9}{21955 \times 10^{-12} \times 100 \text{ Hz}} = 410 \text{ k}\Omega$

Note: DDC has software available to perform the previous calculations. Contact DDC to request software or visit our website at www.ddc-web.com to download software.

TABLE 3. TRACKING/BW RELATIONSHIP	
RPS (MAX)/BW	RESOLUTION
1	10
0.45	12
0.25	14
0.125	16

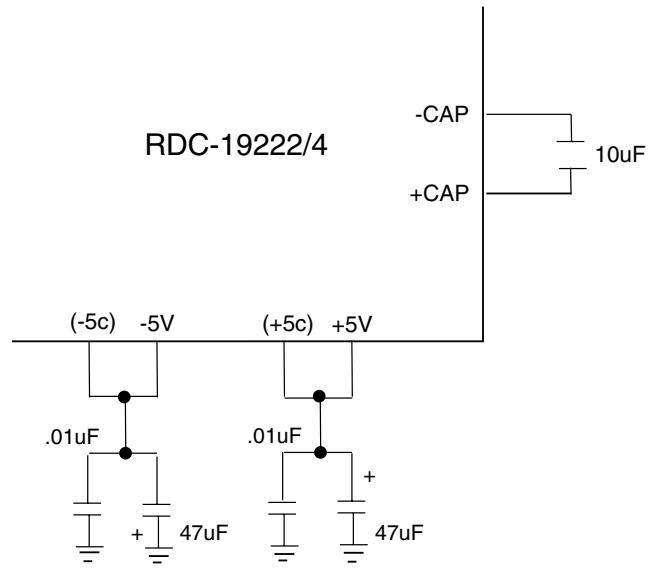


FIGURE 5. -5V BUILT-IN INVERTER

- 7) Selecting a f_{BW} that is too low relative to the maximum application tracking rate can create a spin-around condition in which the converter never settles. The relationship to insure against spin-around is as follows (TABLE 3):
- 8) For RDC-19222 & RDC-19224; package's only.

This version is capable of +5V only operation. It accomplishes this with a charge pump technique that inverts the +5V supply for use as -5V, hence the +5V supply current doubles. The built-in -5 V inverter can be used by connecting pin 2 to 26, pin 17 to 22, a 10 $\mu\text{F}/10 \text{ Vdc}$ capacitor from pin 23 (negative terminal) to pin 25 (positive terminal), and a 47 $\mu\text{F}/10 \text{ Vdc}$ capacitor from -5 V to GND. The current drain from the +5 V supply doubles. No external -5 V supply is needed (SEE FIGURE 5).

When using the -5 V inverter, the max. tracking rate should be scaled for a velocity output of 3.5 V max. Use the following equation to determine tracking rate used in the formula on page 5:

$$\text{TR (required)} \times (4.0) = \text{Tracking rate used in calculation (3.5)}$$

Note: When using the highest BW and Tracking Rates, using the -5 V inverter is not recommended.

HIGHER TRACKING RATES AND CARRIER FREQUENCIES
 Tracking rate (nominally 4 V) is limited by two factors: velocity voltage saturation and maximum internal clock rate (nominally 1,333,333 Hz). An understanding of their interaction is essential to extending performance.

The General Setup Considerations section makes note of the selection of R_v for the desired velocity scaling. R_v is the input resis-

bring it to 0 V. The output counts per second per volt input is therefore:

$$\frac{1}{(R_V \times 50 \text{ pF} \times 1.25)}$$

As an example:

Calculate R_V for the maximum counting rate, at a VEL voltage of 4 V.

For a 12-bit converter there are 2^{12} or 4096 counts per rotation. $1,333,333/4096 = 325$ rotations per second or 333,333 counts per second per volt.

$$R_V = \frac{1}{(333,333 \times 50 \text{ pF} \times 1.25)} = 48 \text{ k}\Omega$$

The maximum rate capability of the RDC-19220 is set by R_s . When $R_s = 30 \text{ k}\Omega$ it is nominally 1,333,333 counts/sec, which equates to 325 rps (rotations per second). This is the absolute maximum rate; it is recommended to only run at <90% of this rate (as seen in TABLE 3), therefore the minimum R_V will be limited to 55 k Ω . The converter maximum tracking rate can be increased 50% in the 16- and 14-bit modes and 100% in the 12- and 10-bit modes by increasing the supply current from 12 to 15 mA (by using an $R_c = 23 \text{ k}\Omega$), and by increasing the sampling rate by changing R_s to 20 k Ω for 16- and 14-bit resolution or to 15 k Ω for 12- and 10-bit resolution (see TABLE 4).

The maximum carrier frequency can, in the same way, increase from: 5 to 10 kHz in the 16-bit mode, 7 to 14 kHz in the 14-bit mode, 11 to 32 kHz in the 12-bit mode, and 20 to 40 kHz in the 10-bit mode (see TABLE 5).

The maximum tracking rate and carrier frequency for full performance are set by the power supply current control resistor (R_c) per the following tables:

The carrier frequency should be 1/10, or less, of the sampling frequency in order to have many samples per carrier cycle. The converter will work with reduced quadrature rejection at a carrier frequency up to 1/4 the sampling frequency. Carrier frequency should be at least 3.5 times the BW in order to eliminate the chance of jitter.

REDUCED POWER SUPPLY CURRENTS

When $R_s = 30 \text{ k}\Omega$ (tracking rate is not being pushed), nominal power supply current can be cut from 14 to 9 mA by setting $R_c = 53 \text{ k}\Omega$.

TRANSFORMER ISOLATION

System requirements often include electrical isolation. There are transformers available for reference and synchro/resolver signal isolation. TABLE 6 includes a listing of the most common transformers. The synchro/resolver transformers reduce the voltage to 2 Vrms for a direct connection to the converter. See FIGURES 5A, 5B, 5C and 5D for transformer layouts and schematics, and FIGURE 6 for typical connections.

DC INPUTS

As noted in TABLE 1, the RD-19220/2/4 will accept DC inputs.

- Operation from 0° to 180° or 180° to 359° only. This is due to the possibility of a unstable false null. IE: 180° hang-up. This 180° hang-up is unstable and once the converter moves it will go to the correct answer. In real world applications where an instantaneous 180° change are not possible the converter will always be correct within 360° . The problem arises at power-up in real systems. If the converter angle powers up at exactly 180° from the applied input the converter will not move. This is very unlikely although it is theoretically possible. This condition is most often encountered during wrap around verification tests, simulations or troubleshooting.
- Set the REF input to DC by tying RH to +5V and RL to GND or -5V.
- Set the COS and SIN inputs such that max signal will be equal to 1.8VDC. IE: For 90° , the SIN input will equal 1.8VDC. This will keep the BW hysteresis consistent with AC operation.
- Input offsets will affect accuracy. Verify the COS and SIN inputs do not have DC offsets. If offsets are present, a differential op amp configuration can be used to minimize differential offset problems.
- With DC inputs the converter BIT will remain at logic 0.
- The Bandwidth value of the converter should be chosen based on the rate of change of the system's input amplitude variation, and should be large enough so to minimize its effect on the system dynamics. Note that if the bandwidth is too high the system will be more susceptible to noise.
- The accuracy of the converter using a DC input will be degraded from the rated accuracy. Consider the best case where the input is single ended and no additional DC offsets are present on the input converter - the accuracy will degrade by about 2 arc minutes. IE:, If a part is rated at 2 arc minutes, a DC input will degrade the accuracy to approximately 4 arc minutes.

TABLE 4. MAX TRACKING RATE (MIN) IN RPS

RC&RSET (Ω)	RS&RCLK (Ω)	RESOLUTION			
		10	12	14	16
30k** or open	30k	1200	288	72	18
23k	20k	1200	432	108	27
23k	15k	*	576	*	*

Depending on the resolution, select one of the values from this row, for use in converter max tracking rate formula. (See previous page for formula.)

* Not recommended.

** The use of a high quality thin-film resistor will provide better temperature stability than leaving open.

Note: R_C "Rcurrent" = RSET

R_S "Rsample" = RCLK

TABLE 5. CARRIER FREQUENCY (MAX) IN KHZ

RC&RSET (Ω)	RS&RCLK (Ω)	RESOLUTION			
		10	12	14	16
30k** or open	30k	20	11	7	5
23k	30k	24	12	11	7
23k	20k	34	24	14	10
23k	15k	40	32	*	*

* Not recommended.

** The use of a high quality thin-film resistor will provide better temperature stability than leaving open.

Note: R_C "Rcurrent" = RSET

R_S "Rsample" = RCLK

TABLE 6. TRANSFORMERS

P/N	TYPE	FREQUENCY (HZ)*	IN (VRMS)*	OUT (VRMS)**	ANGLE ACCURACY***	LENGTH (IN)	WIDTH (IN)	HEIGHT (IN)	FIGURE NUMBER	NOTE 1
										AVAILABLE FROM
52034	S - R	400	11.8	2	1	0.81	0.61	0.3	5A	BETA
52035	S - R	400	90	2	1	0.81	0.61	0.3	5A	BETA
52036	R - R	400	11.8	2	1	0.81	0.61	0.3	5B	BETA
52037	R - R	400	26	2	1	0.81	0.61	0.3	5B	BETA
52038	R - R	400	90	2	1	0.81	0.61	0.3	5B	BETA
B-426	Reference	400	115	3.4	N/A	0.81	0.61	0.32	5C	BETA
52039-X	Synchro	60	90	2	1	1.1	1.14	.42	5D	DDC
24133-X	Reference	60	115	3/6 ****	N/A	1.125	1.125	.42	5D	DDC

* ±10% Frequency (Hz) and Line-to-Line input voltage (Vrms) tolerances

** 2 Vrms Output Magnitudes are -2 Vrms ±0.5% full scale

*** Angle Accuracy (Max Minutes)

**** 3 Vrms to ground or 6 Vrms differential (±3% full scale)

Dimensions are for each individual main and teaser

60 Hz Synchro transformers are active (requires ±15 Vdc power supplies)

400 Hz transformer temperature range: -55°C to +125°C

60 Hz transformer (52039-X, 24133-X) temperature ranges: add to part number -1 or -3,

-1 = -55°C to +85°C

-3 = 0 to +70°C

Note 1: Available from refer's to the company that the transformer is available from.

Beta Transformer Technology Corporation
www.bttc-beta.com

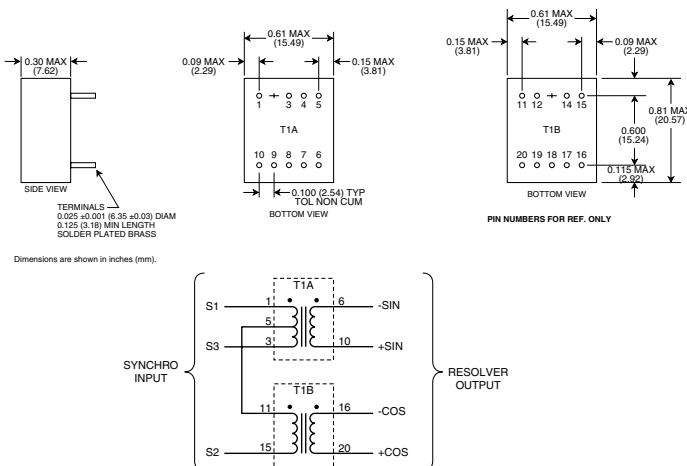


FIGURE 5A. TRANSFORMER LAYOUT AND SCHEMATIC (SYNCHRO INPUT - 52034/52035)

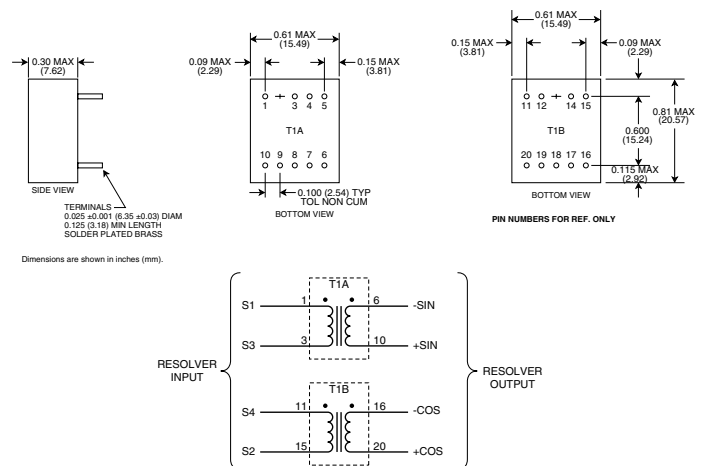


FIGURE 5B. TRANSFORMER LAYOUT AND SCHEMATIC (RESOLVER INPUT - 52036/52037/52038)

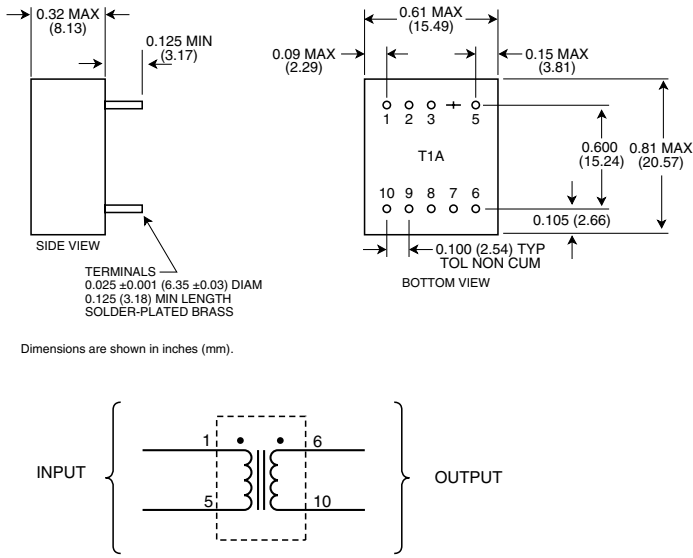
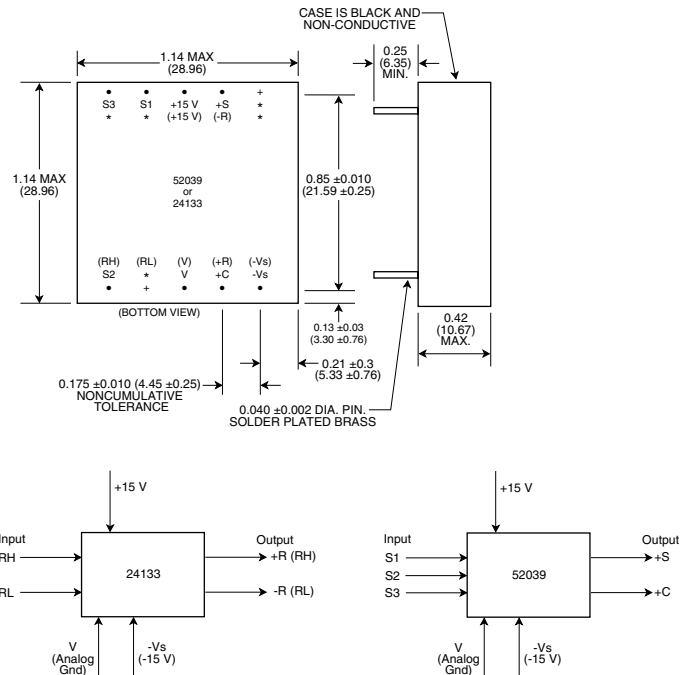


FIGURE 5C. TRANSFORMER LAYOUT AND SCHEMATIC (REFERENCE INPUT - B-426)



The mechanical outline is the same for the synchro input transformer (52039) and the reference input transformer (24133), except for the pins. Pins for the reference transformer are shown in parenthesis () below. An asterisk * indicates that the pin is omitted.

FIGURE 5D. 60 HZ SYNCHRO AND REFERENCE TRANSFORMER DIAGRAMS (SYNCHRO INPUT - 52039 / REFERENCE INPUT - 24133)

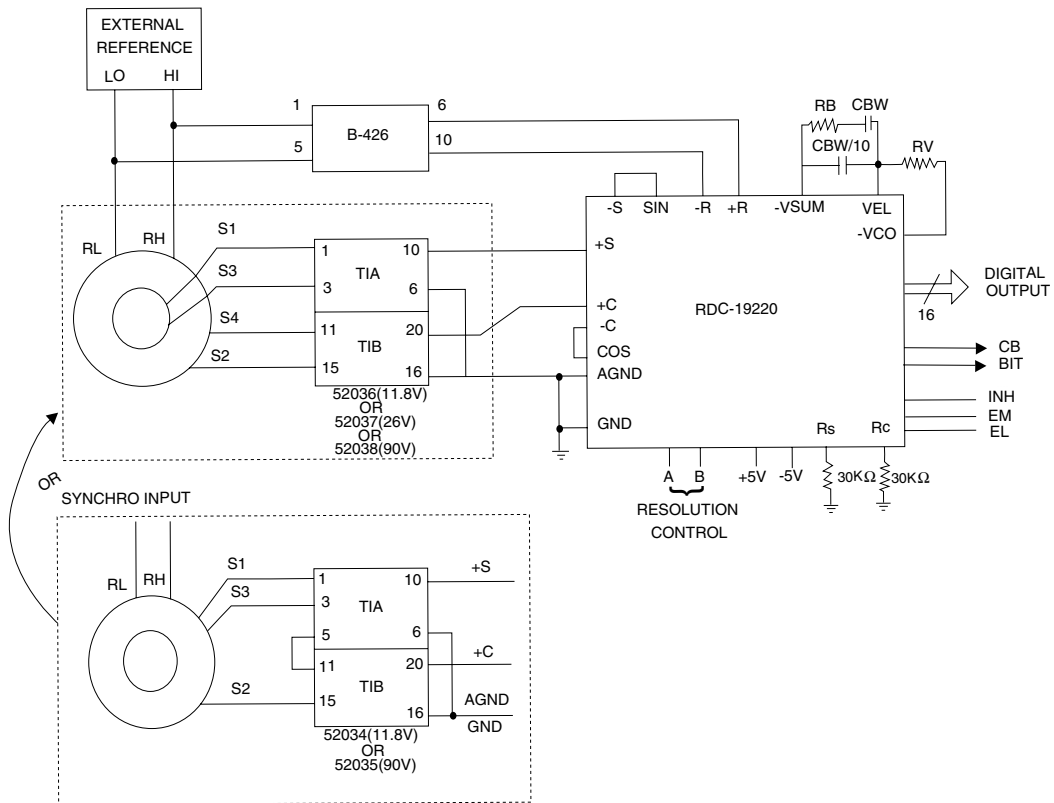


FIGURE 6. TYPICAL TRANSFORMER CONNECTIONS

TYPICAL INPUT CONNECTIONS

FIGURES 7 through 9 illustrate typical input configurations

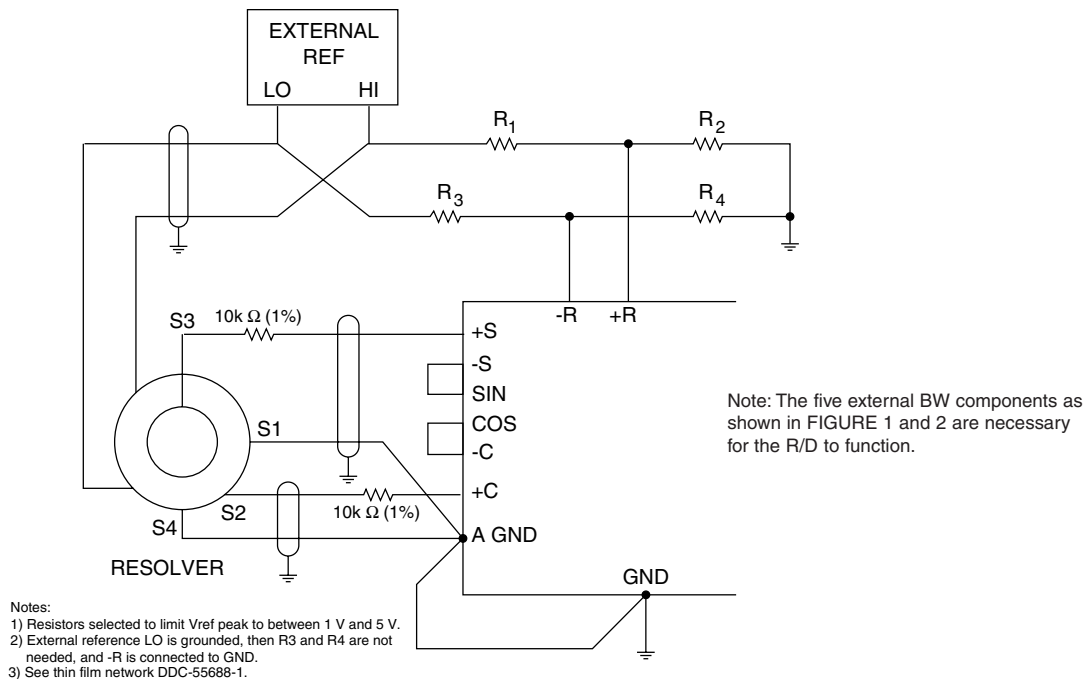


FIGURE 7A. TYPICAL CONNECTIONS, 2 V RESOLVER, DIRECT INPUT

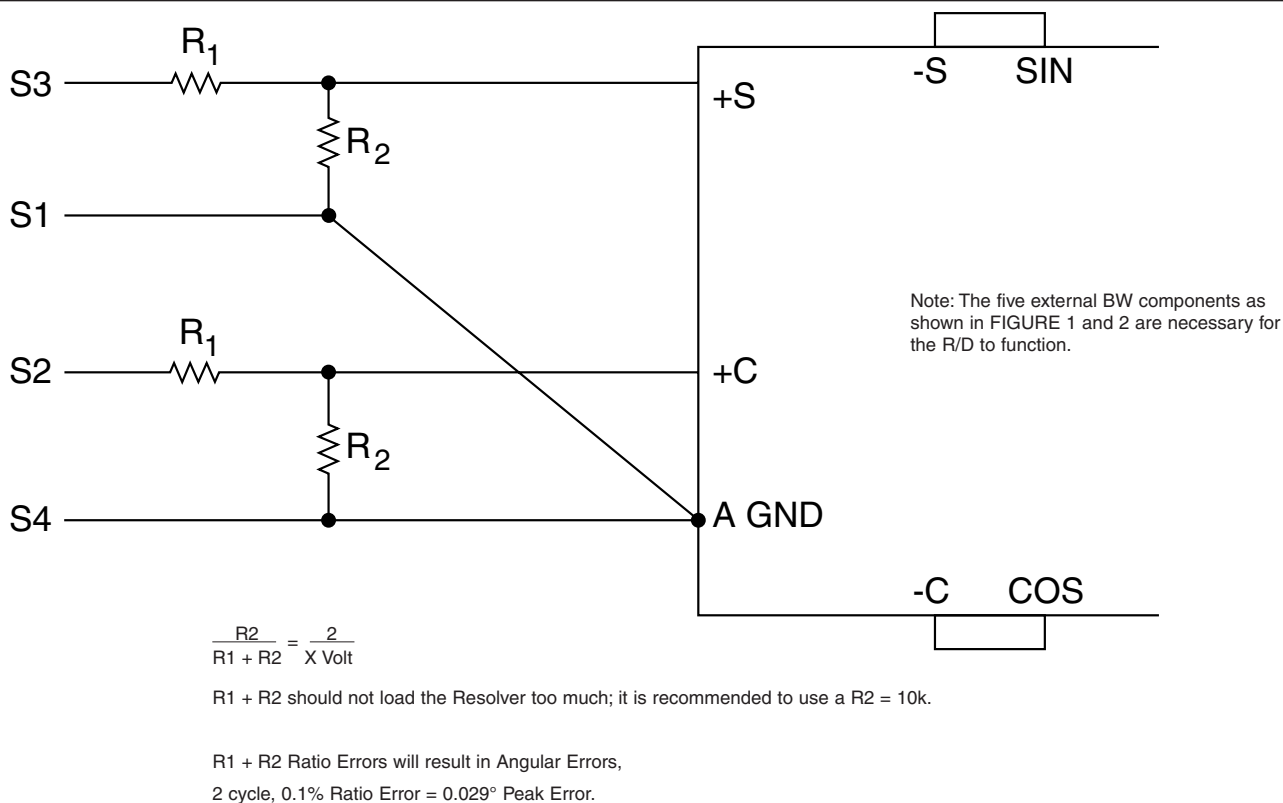
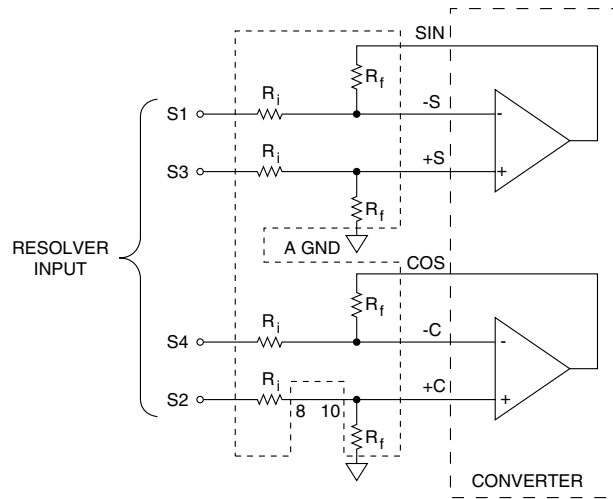


FIGURE 7B. TYPICAL CONNECTIONS, X-VOLT RESOLVER, DIRECT INPUT



Note: The five external BW components as shown in FIGURE 1 and 2 are necessary for the R/D to function.

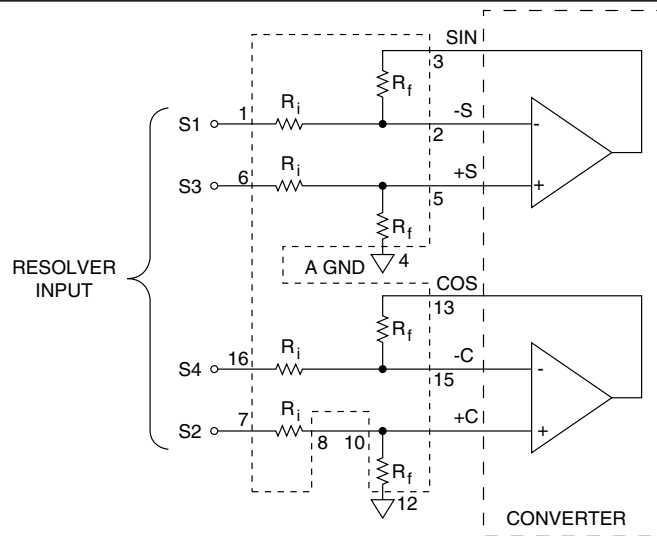
$$\frac{R_i}{R_f} \times 2 V_{rms} = \text{Resolver L-L rms voltage}$$

$$R_f \geq 6 \text{ k}\Omega$$

S1 and S3, S2 and S4, and RH and RL should be ideally twisted shielded, with the shield tied to GND at the converter.

Note : For 2V direct input use 10k Ω matched resistors for Ri & Rf.

FIGURE 8A. DIFFERENTIAL RESOLVER INPUT

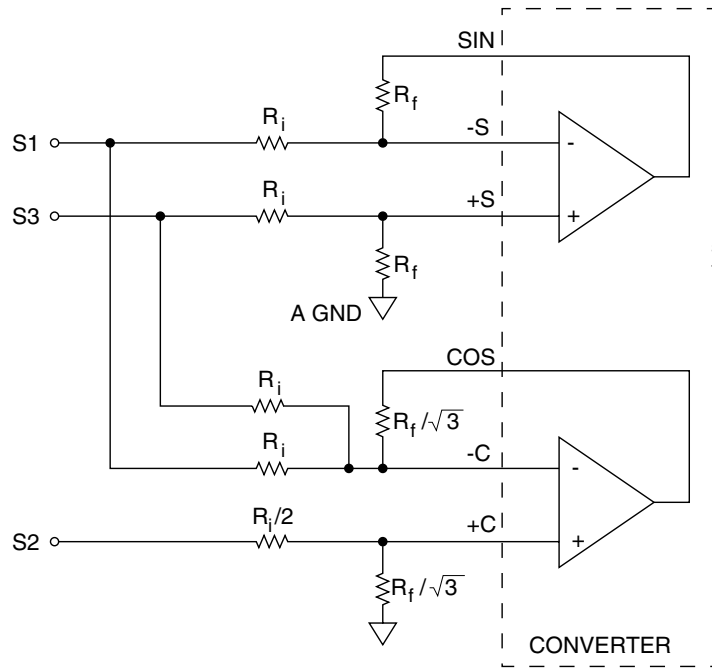


Note: The five external BW components as shown in FIGURE 1 and 2 are necessary for the R/D to function.

S1 and S3, S2 and S4, and RH and RL should be ideally twisted shielded, with the shield tied to GND at the converter. For DDC-49530 or DDC-57470: Ri = 70.8 k Ω , 11.8 V input, synchro or resolver. For DDC-49590: Ri = 270 k Ω , 90 V input, synchro or resolver. Maximum addition error is 1 minute using recommended thin film package.

Note on DC Offset Gains: Input options affect DC offset gains and therefore affect carrier frequency ripple and jitter. Offsets gains associated with differential mode, (offset gain for differential configuration = $1 + R_f/R_i$) and direct mode (offset gain for direct configuration = 1), show differential will always be higher. Higher DC offsets cause higher carrier frequency ripple due to demodulation process. This carrier frequency ripple because it is riding on the top of the DC error signal causes jitter. A higher carrier frequency vs bandwidth ratio will help decrease ripple and jitter associated with offsets. Summary: R/D's with differential inputs are more susceptible to offset problems than R/D's in single ended mode. RD's in higher resolutions, such as 16 bit, will further compound offset issues due to higher internal voltage gains. Although the differential configuration has a higher DC offset gain, the differential configuration's common mode noise rejection makes it the preferred input option. The tradeoffs should be considered on a design to design basis. Also refer to FAQ-GIQ-021.

FIGURE 8B. DIFFERENTIAL RESOLVER INPUT, USING DDC-49530, DDC-57470 (11.8 V), DDC-73089 (2V), OR DDC-49590 (90 V)



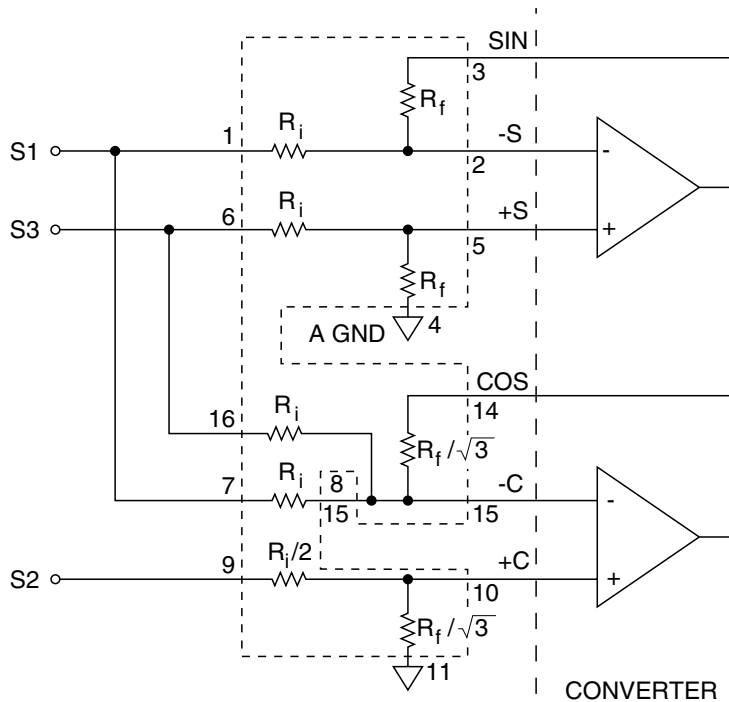
Note: The five external BW components as shown in FIGURE 1 and 2 are necessary for the R/D to function.

$$\frac{R_i}{R_f} \times 2 V_{rms} = \text{Synchro L-L rms voltage}$$

$$R_f \geq 6 \text{ k}\Omega$$

S1, S2, and S3 should be triple twisted shielded; RH and RL should be twisted shielded, In both cases the shield should be tied to GND at the converter.

FIGURE 9A. SYNCHRO INPUT



Note: The five external BW components as shown in FIGURE 1 and 2 are necessary for the R/D to function.

S1, S2, and S3 should be triple twisted shielded; RH and RL should be twisted shielded, In both cases the shield should be tied to GND at the converter.

90 V input = DDC-49590: $R_i = 270 \text{ k}\Omega$, 90 V input, synchro or resolver.

11.8 V input = DDC-49530 or DDC-57470: $R_i = 70.8 \text{ k}\Omega$, 11.8 V input, synchro or resolver.

Maximum addition error is 1 minute.

FIGURE 9B. SYNCHRO INPUT, USING DDC-49530/DDC-57470 (11.8 V), DDC-73089 (2V) OR DDC-49590 (90 V)

tor to an inverting integrator with a 50 pF nominal feedback capacitor. When it integrates to -1.25 V, the converter counts up 1 LSB and when it integrates to +1.25 V, the converter counts down 1 LSB. When a count is taken, a charge is dumped on the capaci

VELOCITY TRIMMING

RDC-19220 Series specifications for velocity scaling, reversal error and offset are contained in TABLE 1. Velocity scaling and offset are externally trimmable for applications requiring tighter specifications than those available from the standard unit. FIGURE 10 shows the setup for trimming these parameters with external pots. It should also be noted that when the resolution is changed, VEL scaling is also changed. Since the VEL output is from an integrator with capacitor feedback, the VEL voltage cannot change instantaneously. Therefore, when changing resolution while moving there will be a transient with a magnitude proportional to the velocity and a duration determined by the converter bandwidth.

INCREASED TRACKING/DECREASED SETTLING (GEAR SHIFTING)

Connecting the $\overline{\text{BIT}}$ output to the resolution control lines (A and B) will change the resolution of the converter down ("gear shift") and make the converter settle faster and track at higher rates. The converter bandwidth is independent of the resolution.

ADDITIONAL ERROR SOURCES

Quadrature voltages in a resolver or synchro are by definition the resulting 90° fundamental signal in the nulled out error voltage (e) in the converter. This voltage is due to capacitive or inductive coupling in the synchro or resolver signals. A digital position error will result due to the interaction of this quadrature voltage and a reference phase shift between the converter signal and reference inputs. The magnitude of this error is given in the following formula:

$$\text{Magnitude of Error} = (\text{Quadrature Voltage}/\text{F.S. signal}) \cdot \tan \alpha$$

Where:

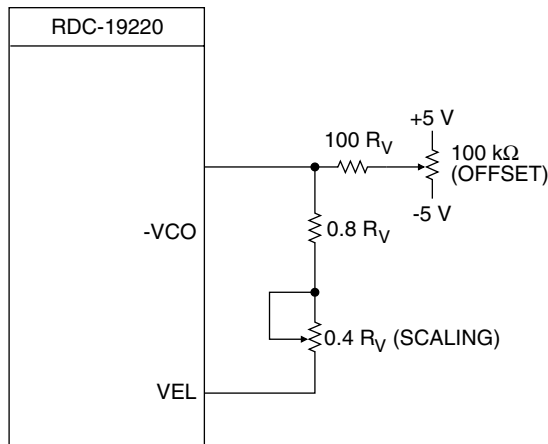


FIGURE 10. VELOCITY TRIMMING

Magnitude of Error is in radians
 Quadrature Voltage is in volts
 Full Scale signal is in volts
 α = signal to REF phase shift

An example of the magnitude of error is as follows:

Let: Quadrature Voltage = 11.8 mV
 Let: F.S. signal = 11.8 V
 Let: $\alpha = 6^\circ$

Then: Magnitude of Error = 0.36 min @ 1 LSB in the 16th bit.

Note: Quadrature is composed of static quadrature which is specified by the synchro or resolver supplier plus the speed voltage which is determined by the following formula:

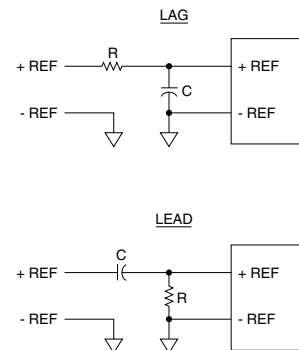
$$\text{Speed Voltage} = (\text{rotational speed}/\text{carrier frequency}) \cdot \text{F.S. signal}$$

Where:

Speed Voltage is the quadrature due to rotation.
 Rotation speed is the rps (rotations per second) of the synchro or resolver.
 Carrier frequency is the REF in Hz.

PHASE SHIFT COMPENSATION

FIGURE 11 illustrates a circuit to LEAD or LAG the reference into the converter that will compensate for phase-shift between



$$\tan \phi = \frac{X_c}{R}$$

Where ϕ = desired phase-shift

$$X_c = \frac{1}{2\pi fc}$$

Where f = carrier frequency

Where c = capacitance

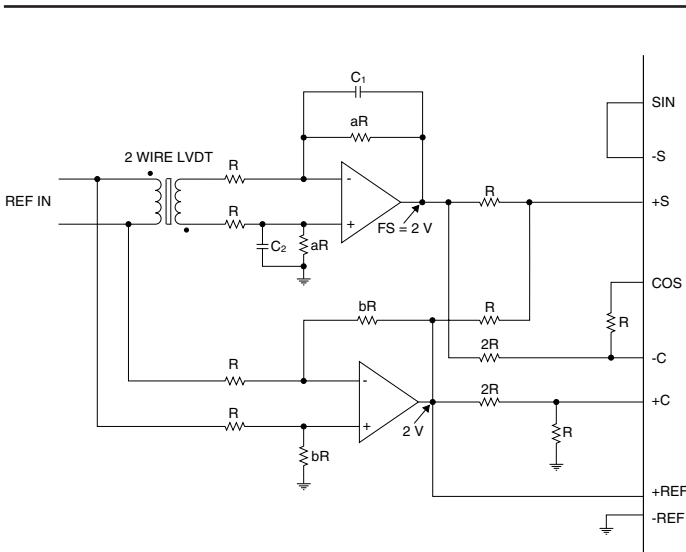
FIGURE 11. PHASE-SHIFT COMPENSATION

the signal and the reference to reduce the effects of the quadrature. This should be used for greater than 6° phase shift between Ref and COS/SIN inputs.

LVDT MODE

As shown in TABLE 1 the RDC-19220 Series units can be made to operate as LVDT-to-digital converters by connecting Resolution Control inputs A and B to "0," "1," or the -5 volt supply. In this mode the RDC-19220 Series functions as a ratiometric tracking linear converter. When linear ac inputs are applied from a LVDT the converter operates over one quarter of its range. This results in two less bits of resolution for LVDT mode than are provided in resolver mode.

FIGURE 12B shows a direct LVDT 2 Vrms full scale input. Some LVDT output signals will need to be scaled to be compatible with the converter input. FIGURE 12C is a schematic of an input scaling circuit applicable to 3-wire LVDTs. The value of the scaling constant "a" is selected to provide an input of 2 Vrms at full stroke



$C_1 = C_2$, set for phase lag = phase lead through the LVDT.

FIGURE 12A. 2-WIRE LVDT DIRECT INPUT

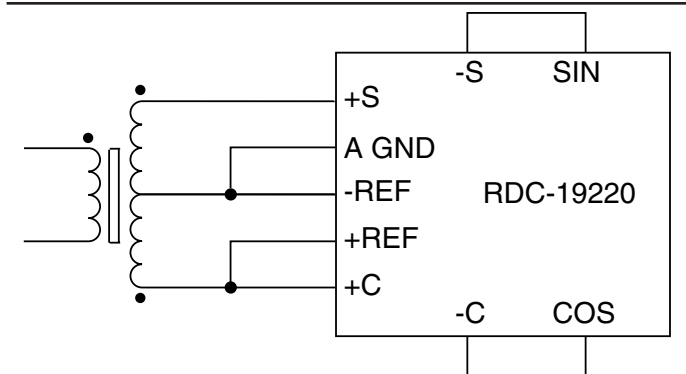


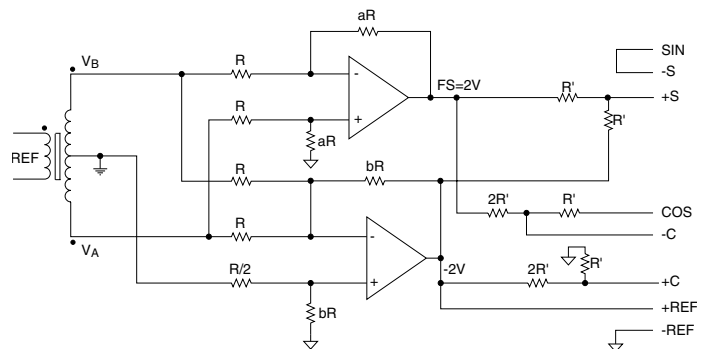
FIGURE 12B. 3-WIRE LVDT DIRECT INPUT

of the LVDT. The value of scaling constant "b" is selected to provide an input of 1 Vrms at null of the LVDT. Suggested components for implementing the input scaling circuit are a quad op-amp, such as a 4741 type, and precision film resistors of 0.1% tolerance. FIGURE 12A illustrates a 2-wire LVDT configuration.

Data output of the RDC-19220 Series is Binary Coded in LVDT mode. The most negative stroke of the LVDT is represented by **all zeros** and the most positive stroke of the LVDT is represented by **all ones**. The most significant 2 bits (2 MSBs) may be used

TABLE 7. LVDT OUTPUT CODE (14-BIT R/D OR 12-BIT LVDT)					
LVDT OUTPUT	OVER RANGE	MSB			LSB
		DATA			
+ over full travel	01	xxxx	xxxx	xxxx	
+ full travel -1 LSB	00	1111	1111	1111	
+0.5 travel	00	1100	0000	0000	
+1 LSB	00	1000	0000	0001	
null	00	1000	0000	0000	
- 1 LSB	00	0111	1111	1111	
-0.5 travel	00	0100	0000	0000	
- full travel	00	0000	0000	0000	
- over full travel	11	xxxx	xxxx	xxxx	

Note: TABLE 7 refers to FIGURE 12C.



- Notes:
1. R 10kΩ
 2. Consideration for the value of R is LVDT loading.
 3. RMS values given.
 4. Use the absolute values of Va and Vb when subtracting per the formula for calculating resistance values, and then use the calculated sign of "Va and Vb" for calculating SIN and COS. The calculations shown are based upon full scale travel being to the Va side of the LVDT.
 5. See the RDC application manual for calculation examples.
 6. Negative voltages are 180° phase for the reference.

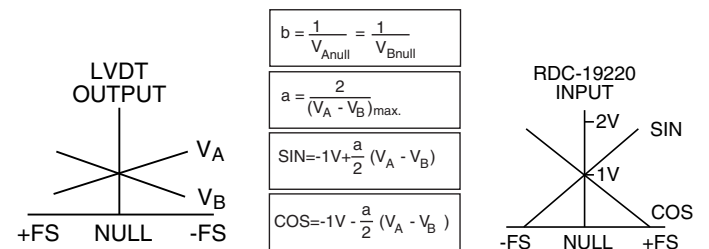


FIGURE 12C. 3-WIRE LVDT SCALING CIRCUIT

as overrange indicators. Positive overrange is indicated by code "01" and negative overrange is indicated by code "11" (see TABLE 7).

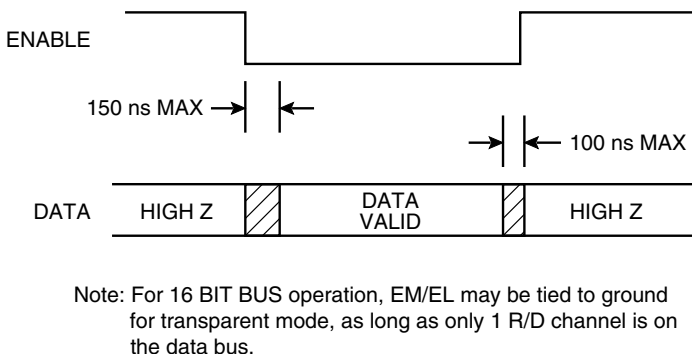
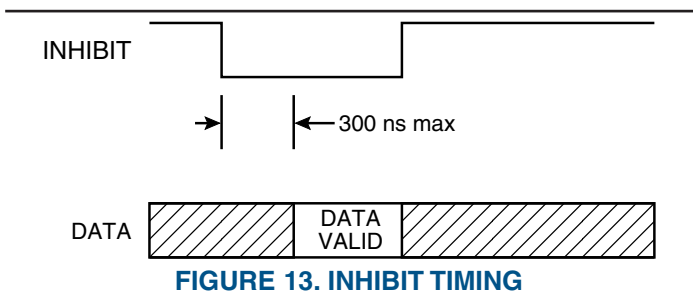
INHIBIT, ENABLE, AND CB TIMING

The Inhibit (\overline{INH}) signal is used to freeze the digital output angle in the transparent output data latch while data is being transferred. Application of an Inhibit signal does not interfere with the continuous tracking of the converter. As shown in FIGURE 13, angular output data is valid 300 ns maximum after the application of the negative inhibit pulse.

Output angle data is enabled onto the tri-state data bus in two bytes. Enable MSBs (\overline{EM}) is used for the most significant 8 bits and Enable LSBs (\overline{EL}) is used for the least significant 8 bits. As shown in FIGURE 14, output data is valid 150 ns maximum after the application of a negative enable pulse. The tri-state data bus returns to the high impedance state 100 ns maximum after the rising edge of the enable signal.

The Converter Busy (CB) signal indicates that the tracking converter output angle is changing 1 LSB. As shown in FIGURE 15, output data is valid 50 ns maximum after the middle of the CB pulse. CB pulse width is $1/(40 \times F_s)$, which is nominally 375 ns.

Note: The converter \overline{INH} may be applied regardless of the CB line state. If the CB is busy the converter \overline{INH} will wait for



the timing to CB "Figure 15" before setting the \overline{INH} latch. Therefore, there is no need to monitor the CB line when applying an inhibit signal to the converter.

BUILT-IN-TEST (\overline{BIT})

The Built-In-Test output (\overline{BIT}) monitors the level of error from the demodulator. This signal is the difference in the input and output angles and ideally should be zero. However, if it exceeds approximately 100 LSBs (of the selected resolution) the logic level at \overline{BIT} will change from a logic 1 to a logic 0.

A 500ms delay occurs before the excessive error bit becomes active. The dynamic delay is responsive to the active filler loop.

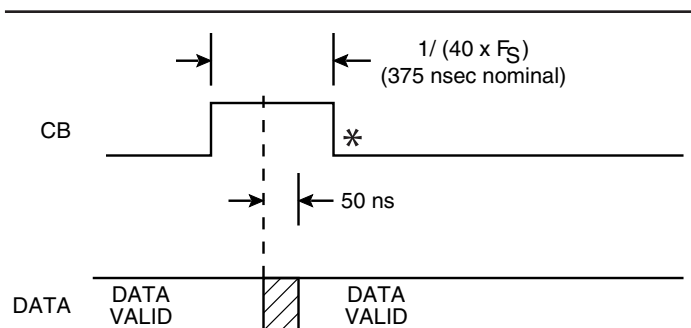
This condition will occur during a large step and reset after the converter settles out. \overline{BIT} will also change to logic 0 for an over-velocity condition, because the converter loop cannot maintain input/output or if the converter malfunctions where it cannot maintain the loop at a null.

\overline{BIT} will also be set low for a detected total Loss-of-Signal (LOS). The \overline{BIT} signal may pulse during certain error conditions (i.e., converter spin around or signal amplitude on threshold of LOS).

LOS will be detected if both sin and cos input voltages are less than 800 mV peak. The LOS has a filter on it to filter out the reference. Since the lowest specified frequency is 47hz (-27ms) the filter must have a time constant long enough to filter this out. Time constants of 50ms or more are possible.

ENCODER EMULATION

The RDC-19220 series can be made to emulate incremental optical encoder output signals, where such an interface is desired. This is accomplished by tying \overline{EL} to -5 V, whereby CB becomes Zero Index (ZI) Logic 1 at all 0s, the LSB+1 becomes A, and the exclusive-or of the LSB and LSB+1 becomes B emulating A QUAD B signals as illustrated in FIGURE 16A. Also, the LSB byte is always enabled.



* Next CB pulse cannot occur for a minimum of 150 nsec.

FIGURE 15. CONVERTER BUSY TIMING

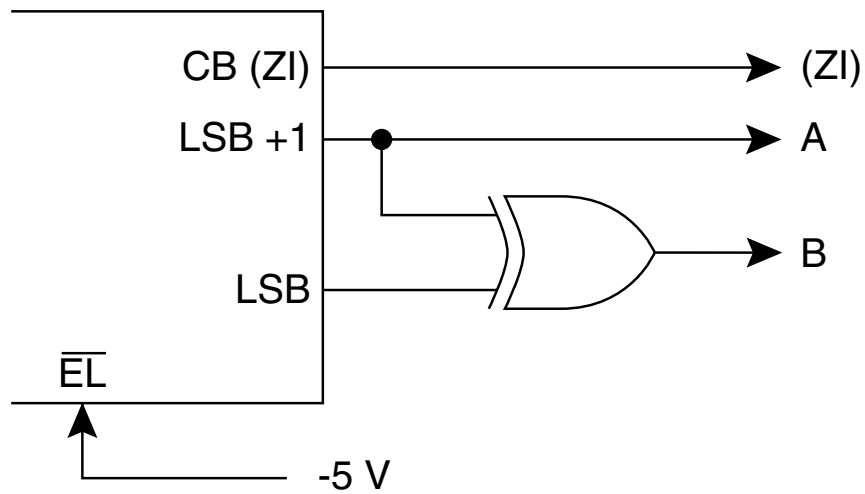
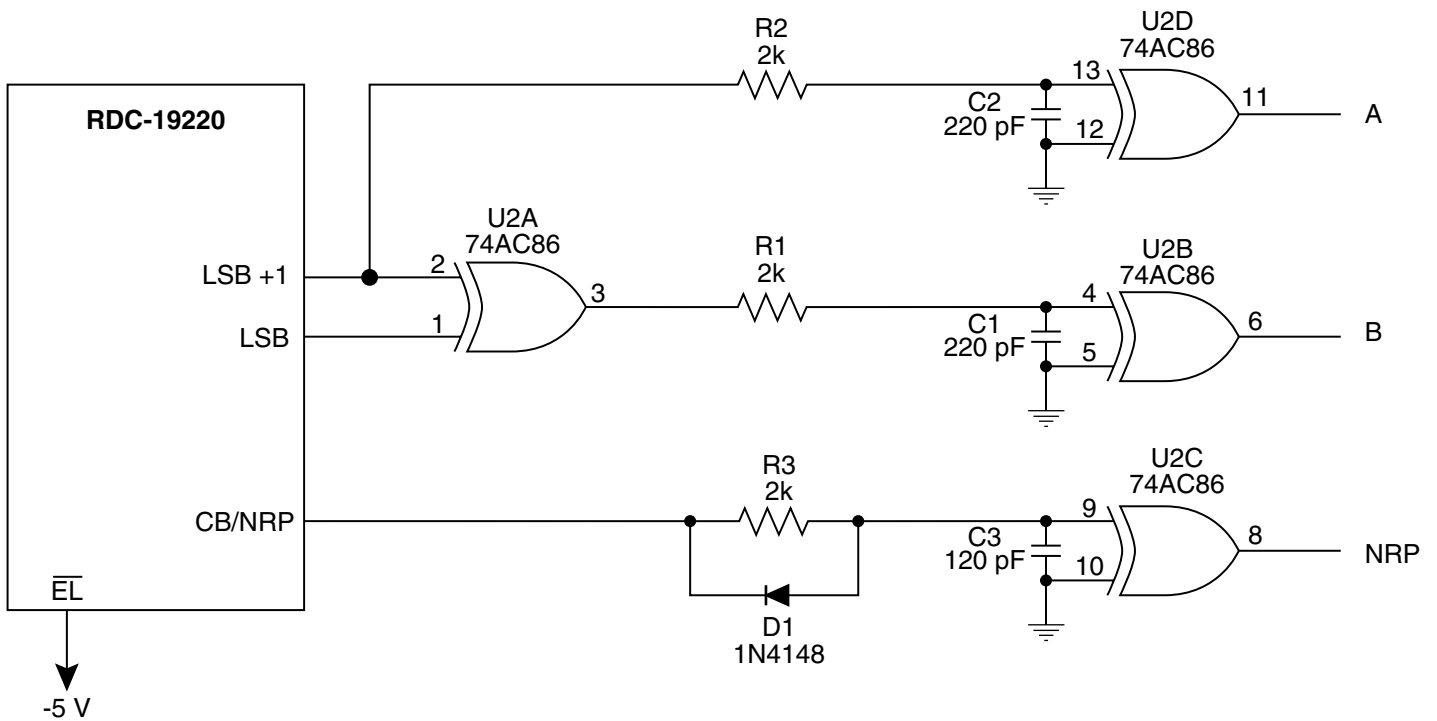


FIGURE 16A. INCREMENTAL ENCODER EMULATION



NOTE: CMOS LOGIC IS RECOMMENDED. TTL AND TTL COMPATIBLE LOGIC WILL SKEW THE DELAYS.

FIGURE 16B. FILTERED/BUFFERED ENCODER EMULATOR CIRCUIT

TYPICAL -5 VOLT CIRCUITS

Since the 40-pin DDIP RDC-19220 does not have a pinout for the -5 V inverter, it may be necessary to create a -5 V from other supplies on the board. FIGURE 17 illustrates several possibilities.

PINOUT FUNCTION TABLES BY MODEL NUMBER

TABLES 8 ,9, and 10 detail pinout functions by the DDC model number.

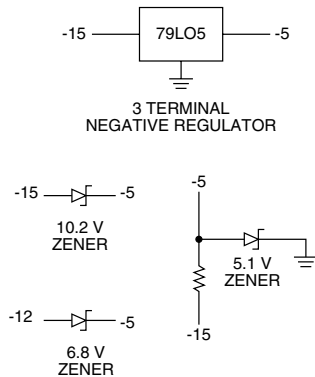


FIGURE 17. TYPICAL -5 VOLT CIRCUITS

TABLE 8. RDC-19220 PINOUTS (40-PIN)

#	NAME	DESCRIPTION	#	NAME	DESCRIPTION
1	A	Resolution Control	40	+5 V	Power Supply
2	B	Resolution Control	39	\overline{EL}	Enable LSBs (see note)
3	\overline{INH}	Inhibit	38	Bit 16	LSB
4	+REF	+Reference Input	37	Bit 8	
5	-REF	-Reference Input	36	Bit 15	
6	-VCO	Neg VCO Input	35	Bit 7	
7	-VSUM	Vel Sum Point	34	Bit 14	
8	VEL	Velocity Output	33	Bit 6	
9	+C	Signal Input	32	Bit 13	
10	COS	Signal Output	31	Bit 5	
11	-C	Signal Input	30	Bit 12	
12	+S	Signal Input	29	Bit 4	
13	+SIN	Signal Output	28	Bit 11	
14	-S	Signal Input	27	Bit 3	
15	-5 V	Power Supply	26	Bit 10	
16	R_S	Sampling Set	25	Bit 2	
17	R_C	Current Set	24	Bit 9	
18	\overline{EM}	Enable MSBs	23	Bit 1	MSB
19	A GND	Analog Ground	22	CB	Converter Busy
20	GND	Ground	21	\overline{BIT}	Built-In-Test

TABLE 9. RDC-19222 PINOUTS (44-PIN, +5 V ONLY)

#	NAME	#	NAME
1	\overline{EL}	23	-CAP
2	+5 V	24	GND
3	A	25	+CAP
4	B	26	+5C (+5V)
5	\overline{INH}	27	\overline{BIT}
6	+REF	28	CB
7	-REF	29	Bit 1 (MSB)
8	-VCO	30	Bit 9
9	-VSUM	31	Bit 2
10	VEL	32	Bit 10
11	+C	33	Bit 3
12	COS	34	Bit 11
13	-C	35	Bit 4
14	+S	36	Bit 12
15	SIN	37	Bit 5
16	-S	38	Bit 13
17	-5 V	39	Bit 6
18	RS	40	Bit 14
19	RC	41	Bit 7
20	\overline{EM}	42	Bit 15
21	A GND	43	Bit 8
22	-5C (-5 V)	44	Bit 16 (LSB)

TABLE 10. RDC-19224 PINOUTS (44-PIN)

#	NAME	#	NAME
1	-REF	23	BIT 1 (MSB)
2	-VCO	24	BIT 9
3	-VSUM	25	BIT 2
4	VEL	26	BIT 10
5	+C	27	BIT 3
6	COS	28	BIT 11
7	-C	29	BIT 4
8	+S	30	BIT12
9	SIN	31	BIT 5
10	-S	32	BIT13
11	-5V	33	BIT 6
12	RS	34	BIT 14
13	RC	35	BIT 7
14	\overline{EM}	36	BIT 15
15	A GND	37	BIT 8
16	-5C (-5V)	38	BIT 16 (LSB)
17	-CAP	39	\overline{EL}
18	GND	40	+5V
19	+CAP	41	A
20	+5C (+5V)	42	B
21	\overline{BIT}	43	\overline{INH}
22	CB	44	+REF

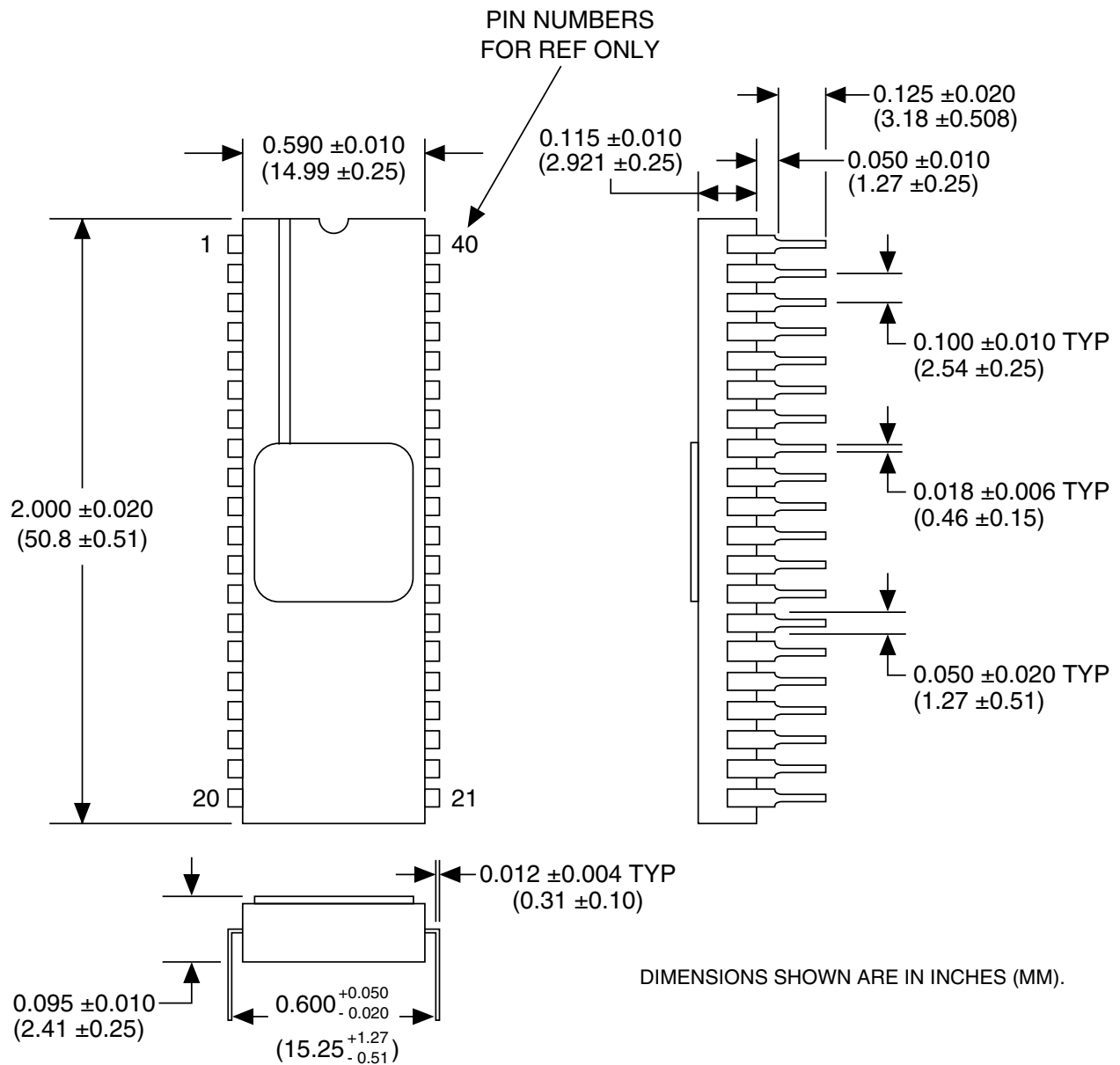


FIGURE 18. RDC-19220 (40-PIN DDIP) CERAMIC PACKAGE MECHANICAL OUTLINE

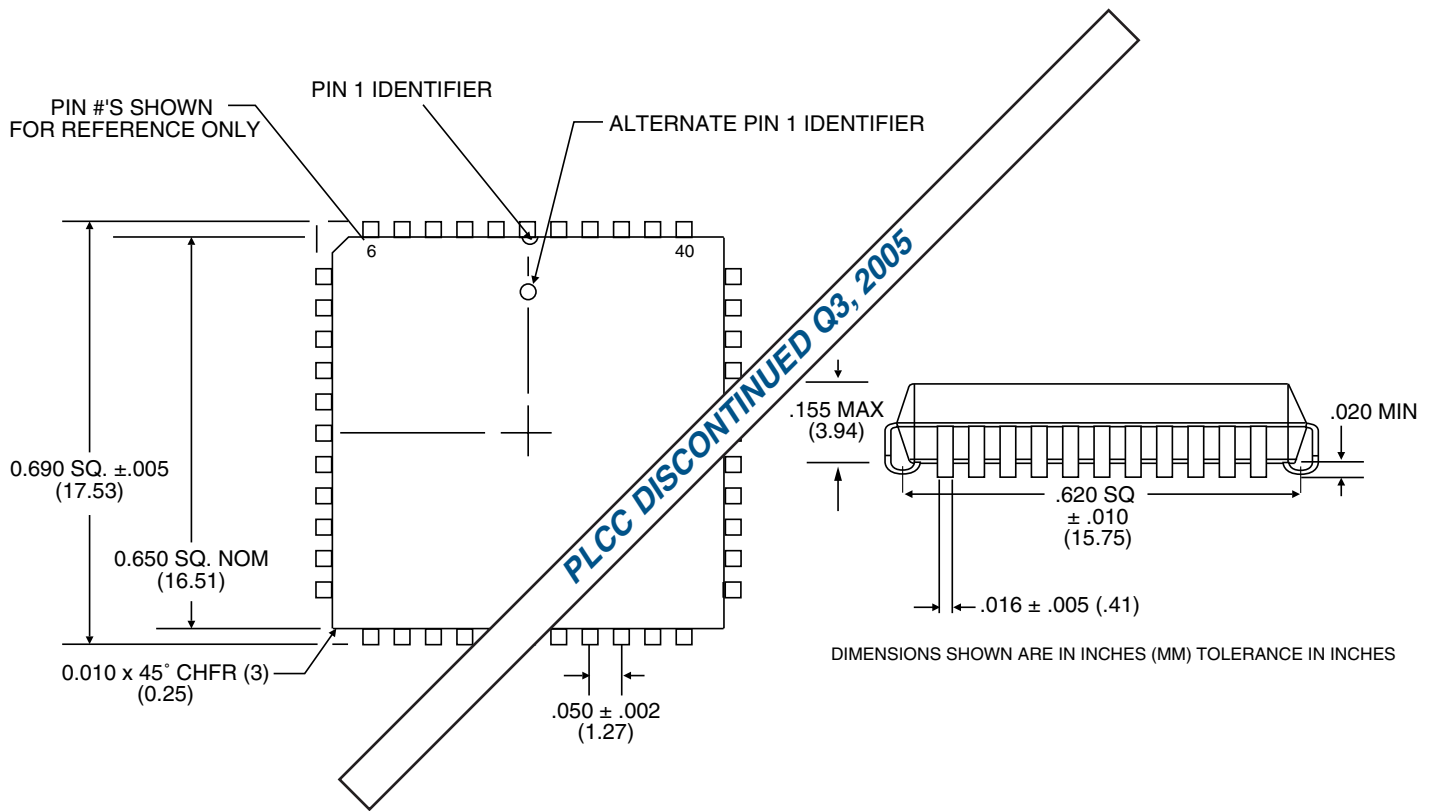


FIGURE 19. RDC-19222 (44-PIN PLASTIC J-LEAD) MECHANICAL OUTLINE

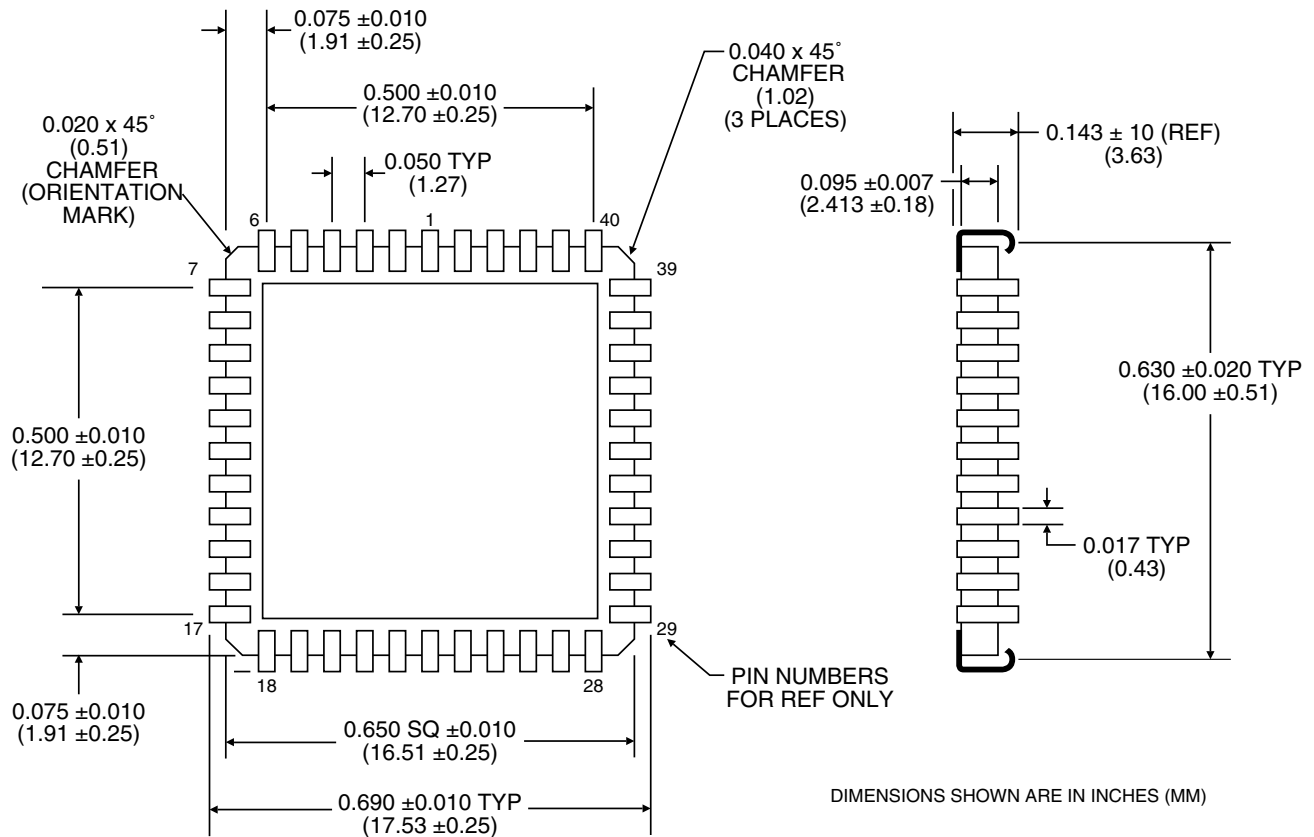
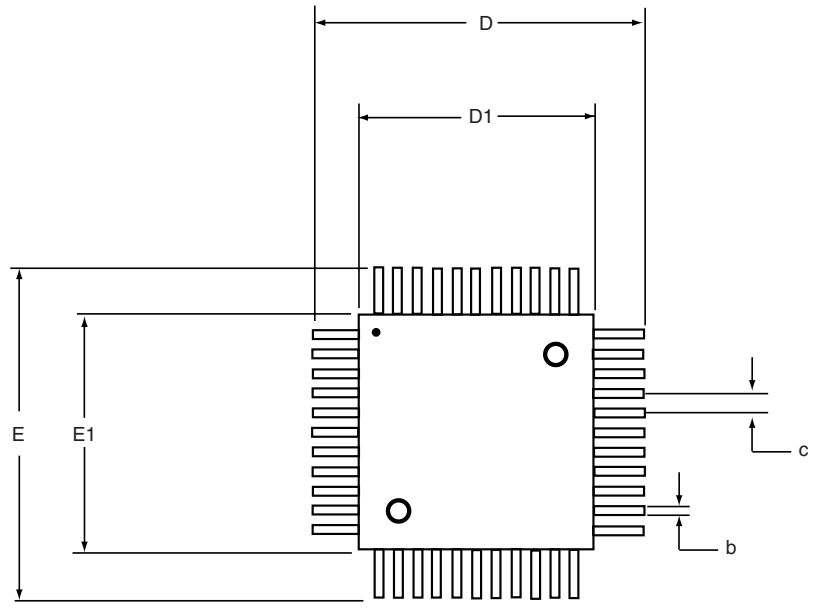
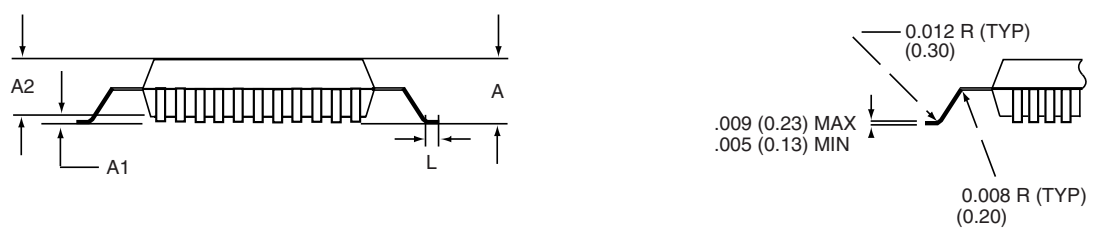


FIGURE 20. RDC-19222 (44-PIN CERAMIC J-LEAD) MECHANICAL OUTLINE



TOP VIEW



DIMENSIONS ARE IN INCHES (MM)

	A	A1	A2	D	D1	E	E1	L	c	b	
INCHES	.092 MAX	0.0039 MIN	0.0098 MAX	.078 + .004 - .002	.520 ± .010	.394 ± .004	.520 ± .010	.394 ± .004	.035 + .006 - .004	.0315 BSC	.0138 + .0020
MM	2.35 MAX	.10 MIN	.25 MAX	2.00 + .10 - .05	13.20 ± .25	10.00 ± .10	13.20 ± .25	10.00 ± .10	.88 + .15 - .10	.80 BSC	.35 + .05

FIGURE 21. RDC-19224 (44-PIN PLASTIC MQFP) MECHANICAL OUTLINE

ORDERING INFORMATION

RDC-1922X-XXXX (Ceramic Package)

Supplemental Process Requirements:

T = Tape and Reel (Not available in 40-pin DDIP package)
 S = Pre-Cap Source Inspection
 L = 100% Pull Test
 Q = Pre-Cap Source and 100% Pull Test
 K = One Lot Date Code
 W = One Lot Date Code and Pre-Cap Source Inspection
 Y = One Lot Date Code and 100% Pull Test
 Z = One Lot Date Code, Pre-Cap Source Inspection and 100% Pull Test
 Blank = None of the Above

Accuracy:

2 = 4 minutes + 1 LSB
 3 = 2 minutes + 1 LSB

Process Requirements:

0 = Standard DDC Processing, without Burn-In
 1 = MIL-PRF-38534 Compliant
 2 = Standard DDC Processing, with Burn-In
 3 = MIL-PRF-38534 Compliant, with PIND testing
 4 = MIL-PRF-38534 Compliant, with Solder Dip (Not available in lead free.)(Note 4)
 5 = MIL-PRF-38534 Compliant, with PIND testing, and Solder Dip (Not available in lead free.)(Note 4)
 6 = Standard DDC Processing, with PIND testing, and Burn-In
 7 = Standard DDC Processing, with Solder Dip, and Burn-In (Not available in lead free.)(Note 4)
 9 = Standard DDC Processing, with Solder Dip, without Burn-In (Not available in lead free.)(Note 4)

Temperature Grade / Data Requirements:

1 = -55 to +125°C
 4 = -55 to +125°C, with Variables Test Data

Package: (Lead Free) (Note 3)

0 = 40-Pin DDIP, ("+5 volt only" power supply feature - not available)
 2 = 44-Pin J-Lead

STANDARD DDC PROCESSING FOR HYBRID AND MONOLITHIC HERMETIC PRODUCTS		
TEST	MIL-STD-883	
	METHOD(S)	CONDITION(S)
INSPECTION	2009, 2010, 2017, and 2032	—
SEAL	1014	A and C
TEMPERATURE CYCLE	1010	C
CONSTANT ACCELERATION	2001	3000g
BURN-IN	1015 (note 1), 1030 (note 2)	TABLE 1

Notes:

- For Process Requirement "B*" (refer to ordering information), devices may be non-compliant with MIL-STD-883, Test Method 1015, Paragraph 3.2. Contact factory for details.
- When applicable.
- Consult factory for lead-time of lead free product.
- Solder dip options contain tin-lead solder finish as applicable to solder dip requirements.

External Component Selection Software (refer to General Setup Conditions section) can be downloaded from DDC's web site:
www.ddc-web.com.

ORDERING INFORMATION

RDC-19224_-XXXX (Plastic Package:)

Supplemental Process Requirements:

T = Tape and Reel (**Note 2**)
Blank = None of the Above

Accuracy:

2 = 4 minutes + 1 LSB
3 = 2 minutes + 1 LSB

Process Requirements:

0 = No Burn-In
9 = Solder Dip, without Burn-In (**Note 3**)

Temperature Grade:

2 = -40 to +85°C
3 = 0 to +70°C
A = -40 to +125°C

Package Options: (Note 1)

Blank = Standard
G = Lead free

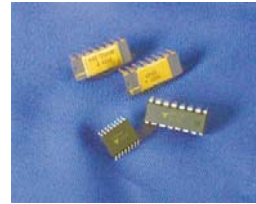
Package Type:

2 = PLCC 44-Pin J-Lead (Discontinued Q3, 2005)
4 = MQFP 44-Pin (Available January 3, 2006)

Note 1: The lead-free option is available with a Matte Tin finish. DDC can provide the reliability and tin whisker growth data associated with these products ; however, tin whisker growth is dependent on the application environment and customers should collect their own reliability data and perform a risk assesment based on their individual requirements.

Note 2: DDC does not recommend Tape and Reel due to potential lead damage.

Note 3: Solder DIP is not available on the MQFP package.



THIN FILM RESISTOR NETWORKS FOR MOTION FEEDBACK PRODUCTS

Description

DDC converters such as the RDC-19220 series require closely matched 2Vrms Sin/Cos input voltages to minimize digital error. DDC has custom thin film resistor networks that provide the correctly matched 2Vrms converter outputs for 11.8Vrms Resolver/Synchro or 90Vrms synchro applications.

Any imbalance of the resistance ratio between the Sin/Cos inputs will create errors in the digital output. DDC's custom thin film resistor networks have very low imbalance percentages. The networks are matched to 0.02%, which equates to 1LSB of error for a 16-bit application.

THIN FILM RESISTOR NETWORK	INPUT VOLTAGE (VRMS)	OUTPUT VOLTAGE (VRMS)	PACKAGE TYPE
DDC-55688-1	2 Single Ended	2	Ceramic DIP
DDC-49530	11.8	2	Plastic DIP
DDC-57470	11.8	2	Surface Mount
DDC-49590	90	2	Ceramic DIP
DDC-73089	2 Differential	2	Surface Mount
DDC-57471	90	2	Surface Mount

Note: For thin film network specifications see the "Thin Film Network Specifications for Motion Feedback Products" Data Sheet available from the DDC website. (Operating Temperature Range : -55 to +125°C)

The information in this data sheet is believed to be accurate; however, no responsibility is assumed by Data Device Corporation for its use, and no license or rights are granted by implication or otherwise in connection therewith.
Specifications are subject to change without notice.

Please visit our web site at www.ddc-web.com for the latest information.



105 Wilbur Place, Bohemia, New York, U.S.A. 11716-2482

For Technical Support - 1-800-DDC-5757 ext. 7771

Headquarters, N.Y., U.S.A. - Tel: (631) 567-5600, Fax: (631) 567-7358

Southeast, U.S.A. - Tel: (703) 450-7900, Fax: (703) 450-6610

West Coast, U.S.A. - Tel: (714) 895-9777, Fax: (714) 895-4988

United Kingdom - Tel: +44-(0)1635-811140, Fax: +44-(0)1635-32264

Ireland - Tel: +353-21-341065, Fax: +353-21-341568

France - Tel: +33-(0)1-41-16-3424, Fax: +33-(0)1-41-16-3425

Germany - Tel: +49-(0) 89-150012-11, Fax: +49-(0) 89-150012-22

Japan - Tel: +81-(0)3-3814-7688, Fax: +81-(0)3-3814-7689

World Wide Web - <http://www.ddc-web.com>



DATA DEVICE CORPORATION
REGISTERED TO ISO 9001:2000
FILE NO. A5976