

# LMP7312

## Precision SPI-Programmable AFE with Differential/Single-Ended Input/Output

### General Description

The LMP7312 is a digitally programmable variable gain amplifier/attenuator. Its wide input voltage range and superior precision make it a prime choice for applications requiring high accuracy such as data acquisition systems for IO modules in programmable logic control (PLC). The LMP7312 provides a differential output to maximize dynamic range and signal to noise ratio, thereby reducing the overall system error. It can also be configured to handle single ended input data converters by means of the  $V_{OCM}$  pin (see application section for details). The inputs of LMP7312 can be configured in attenuation mode to handle large input signals of up to +/- 15V, as well as in amplification mode to handle current loops of 0-20mA and 4-20mA. The LMP7312 is equipped with a null switch to evaluate the offset of the internal amplifier. A guaranteed 0.035% maximum gain error (for all gains) and a maximum gain drift of 5ppm over the extended industrial temperature range (-40° to 125°C) make the LMP7312 very attractive for high precision systems even under harsh conditions. A low input offset voltage of 100µV and low voltage noise of 3µVpp give the LMP7312 a superior performance. The LMP7312 is fully specified from -40° to 125°C and is available in SOIC-14 package.

### Features

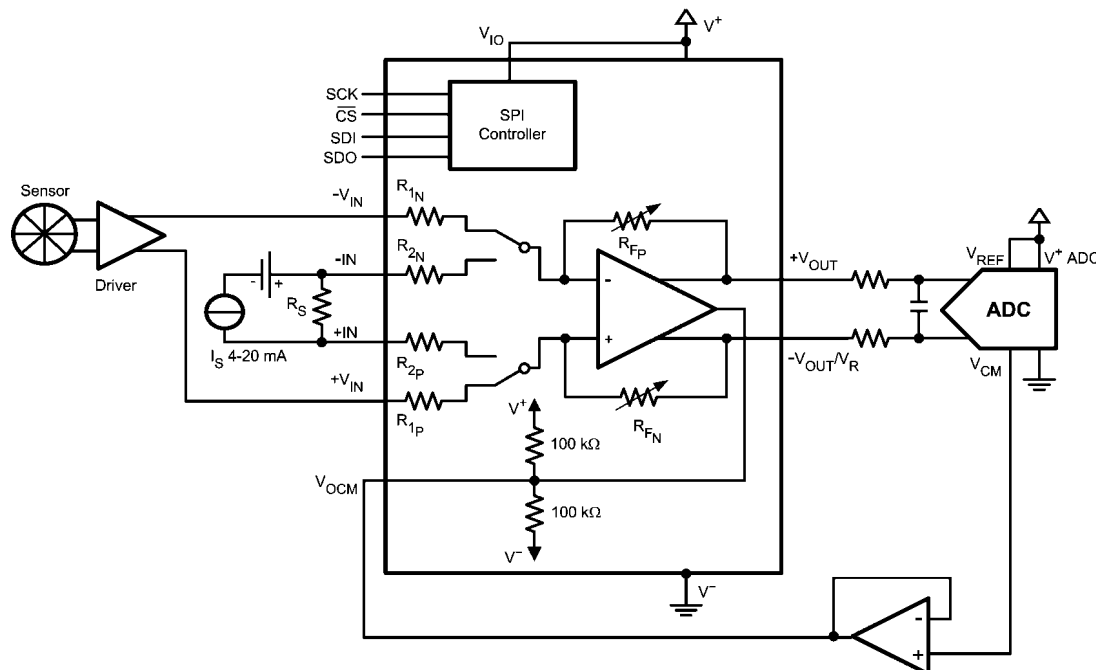
Typical Values,  $T_A = 25^\circ\text{C}$ ,  $V^+ = 5\text{V}$ ,  $V^- = 0\text{V}$ .

■ Gain bandwidth	1 MHz
■ Input voltage range (G= 0.096 V/V)	-15V to +15V
■ Core op-amp input offset voltage	100 µV (max)
■ Supply current	2 mA (max)
■ Gain (Attenuation Mode)	0.096 V/V, 0.192 V/V 0.384 V/V, 0.768 V/V
■ Gain (Amplification Mode)	1 V/V, 2 V/V
■ Gain Error	0.035% (max)
■ Core op-amp PSRR	90 dB (min)
■ CMRR	80 dB (min)
■ Adjustable output common mode	1V to 4V
■ Temperature range	-40 to 125°C
■ Package	14-Pin SOIC

### Applications

- Signal conditioning AFE  
±10V; ±5V; 0-5V; 0-10V; 0-20mA; 4-20mA
- Data Acquisition systems
- Motor control
- Instrument and process control
- Remote sensing
- Programmable automation control

### Typical Application



30075513

LMP™ is a trademark of National Semiconductor Corporation.

## Absolute Maximum Ratings (Note 1)

If Military/Aerospace specified devices are required, please contact the National Semiconductor Sales Office/ Distributors for availability and specifications.

### ESD Rating (Note 2)

Human Body Model	2000V
Machine Body Model	150V
Charge device Model	1000V
Analog Supply Voltage ( $V_S = V^+ - V^-$ )	6V
Digital Supply Voltage ( $V_{DIO} = V_{IO} - V^-$ )	6V
Attenuation pins $-V_{IN}$ , $+V_{IN}$ referred to $V^-$	$\pm 17.5V$
Amplification pins $-IN$ , $+IN$ referred to $V^-$	$\pm 10V$
Voltage at all other pins referred to $V^-$	6V
Storage Temperature Range	$-65^\circ C$ to $150^\circ C$

For soldering specification:

see product folder at [www.national.com](http://www.national.com) and [www.national.com/ms/MS/MS-SOLDERING.pdf](http://www.national.com/ms/MS/MS-SOLDERING.pdf)

Junction Temperature

$150^\circ C$

## Operating Ratings (Note 1)

Analog Supply Voltage ( $V_S = V^+ - V^-$ ), $V^- = 0V$	4.5V to 5.5V
Digital Supply Voltage ( $V_{DIO} = V_{IO} - V^-$ ), $V^- = 0V$	2.7V to 5.5V
Attenuation pins $-V_{IN}$ , $+V_{IN}$ referred to $V^-$	$-15V$ to $15V$
Amplification pins $-IN$ , $+IN$ referred to $V^-$	$-2.35V$ to $7.35V$
Temperature Range (Note 3)	$-40^\circ C$ to $125^\circ C$
Package Thermal Resistance (Note 3) SOIC-14	$145^\circ C/W$

## 5V Electrical Characteristics (Note 4)

Unless otherwise specified, all limits guaranteed for  $T_A = 25^\circ C$ ,  $V^+ = 5V$ ,  $V_{IO} = 5V$ ,  $V^- = 0V$ ,  $G = 0.192 V/V$ ,  $V_{CM\_ATT} = (+V_{IN} + (-V_{IN}))/2$ ,  $V_{CM\_AMP} = (+IN + (-IN))/2$ . Differential output configuration. SE = Single Ended Output, DE = Differential Output. **Boldface** limits apply at the temperature extremes.

Symbol	Parameter	Conditions	Min (Note 6)	Typ (Note 5)	Max (Note 6)	Units
$V_{OS}$	Core op-amp Input Offset Voltage	Nulling Switch Mode, DE, $V_{OCM} = 1V$ ; Nulling switch Mode, SE, $-V_{OUT}/V_R = 1V$	-100 <b>-250</b>		100 <b>250</b>	$\mu V$
		Nulling Switch Mode, DE, $V_{OCM} = 4V$ ; Nulling Switch Mode, SE, $-V_{OUT}/V_R = 4V$	-100 <b>-250</b>		100 <b>250</b>	
$TCV_{OS}$	Core op-amp Input Offset Voltage (Note 7)	Nulling Switch Mode, DE, $V_{OCM} = 1V$ ; Nulling Switch Mode, SE, $-V_{OUT}/V_R = 1V$	-3	$\pm 1.5$	3	$\mu V/^\circ C$
		Nulling Switch Mode, DE, $V_{OCM} = 4V$ ; Nulling Switch Mode, SE, $-V_{OUT}/V_R = 4V$	-3	$\pm 1.5$	3	
$A_v$	Gain Error	All gains, $R_L = 10 k\Omega$ , $C_L = 50pF$ , SE / DE	-0.035 <b>-0.045</b>		0.035 <b>0.045</b>	%
	Gain Drift	SE / DE	-5	$\pm 1$	5	ppm/ $^\circ C$
$e_n$	Core op-amp Voltage Noise Density	RTI, Nulling Switch Mode, $f = 10 kHz$		7.25		$nV/\sqrt{Hz}$
	Core op-amp Peak to Peak Voltage Noise	RTI, Nulling Switch Mode, $f = 0.1Hz$ to $10Hz$		3		$\mu V_{PP}$
$I_{VA}$	Analog Supply Current	$+V_{IN} = -V_{IN} = V_{OCM}$			<b>2</b>	mA
$I_{VIO}$	Digital Supply Current	Without any load connected to SDO pin			<b>120</b>	$\mu A$
$R_{IN\_CM}$	CM Input Resistance	$G = 0.192 V/V$		62.08		k $\Omega$
		$G = 1 V/V$		40		
$R_{IN\_DIFF}$	Differential Input Resistance	$G = 0.192 V/V$		248.3		k $\Omega$
		$G = 1 V/V$		160		
CMRR	DC Common Mode Rejection Ratio	$G = 0.096V/V$ , $-15V < V_{CM\_ATT} < 15V$ , SE / DE	80 <b>77</b>			dB
		$G = 0.192V/V$ , $-11.4V < V_{CM\_ATT} < 15V$ , SE / DE				
		$G = 0.384V/V$ , $-6V < V_{CM\_ATT} < 11V$ , SE / DE				
		$G = 0.768V/V$ , $-3V < V_{CM\_ATT} < 8V$ , SE / DE				
		$G = 1V/V$ , $-2.3V < V_{CM\_AMP} < 7.3V$ , SE / DE				
$G = 2V/V$ , $-1.15V < V_{CM\_AMP} < 6.15V$ , SE / DE.						
PSRR	Core op-amp DC Power Supply Rejection Ratio	Nulling Switch Mode, $4.5V < V^+ < 5.5V$	90			dB

Symbol	Parameter	Conditions	Min (Note 6)	Typ (Note 5)	Max (Note 6)	Units
$V_{OCM\_OS}$	$V_{OCM}$ Output Offset (Note 8)	$V_{OCM} = 2.5\text{ V}$	-20		20	mV
$V_{OUT}$	Positive Output Voltage Swing	$R_L = 10\text{ k}\Omega$ , $C_L = 50\text{ pF}$ , $+V_{IN} = 15\text{ V}$ , $-V_{IN} = -15\text{ V}$			$V^+ - 0.2$	V
	Negative Output Voltage Swing	$R_L = 10\text{ k}\Omega$ , $C_L = 50\text{ pF}$ , $+V_{IN} = -15\text{ V}$ , $-V_{IN} = 15\text{ V}$	$V^- + 0.2$			
$I_{OUT}$	Short circuit current	$+V_{IN} = -V_{IN} = 2.5\text{ V}$ , $+V_{OUT}$ , $-V_{OUT}/V_R$ connected individually to either $V^+$ or $V^-$	10			mA
	Current limitation	Internal current limiter			55	
GBW	Bandwidth	Attenuation Mode, $G = 0.096\text{ V/V}$ , $R_L = 10\text{ k}\Omega$ , $C_L = 50\text{ pF}$		1.2		MHz
		Attenuation Mode, $G = 0.192\text{ V/V}$ , $R_L = 10\text{ k}\Omega$ , $C_L = 50\text{ pF}$		1.0		
		Attenuation Mode, $G = 0.384\text{ V/V}$ , $R_L = 10\text{ k}\Omega$ , $C_L = 50\text{ pF}$		560		kHz
		Attenuation Mode, $G = 0.768\text{ V/V}$ , $R_L = 10\text{ k}\Omega$ , $C_L = 50\text{ pF}$		310		
		Amplification Mode, $G = 1\text{ V/V}$ , $R_L = 10\text{ k}\Omega$ , $C_L = 50\text{ pF}$		530		kHz
		Amplification Mode, $G = 2\text{ V/V}$ , $R_L = 10\text{ k}\Omega$ , $C_L = 50\text{ pF}$		280		
SR	Slew Rate	$R_L = 10\text{ k}\Omega$ , $C_L = 50\text{ pF}$ (Note 9)		1.4		V/ $\mu\text{sec}$
THD+N	Total Harmonic Distorsion + Noise	$V_{out} = 4.096\text{ V}_{pp}$ , $f = 1\text{ KHz}$ , $R_L = 10\text{ k}\Omega$		0.0026		%

### Electrical Characteristics (Serial Interface) (Note 4)

Unless otherwise specified. All limits guaranteed for  $T_A = 25^\circ\text{C}$ ,  $V^+ = 5\text{ V}$ ,  $V^- = 0\text{ V}$ ,  $2.7\text{ V} < V_{IO} < 5.5\text{ V}$

Symbol	Parameter	Conditions	Min (Note 6)	Typ (Note 5)	Max (Note 6)	Units
$V_{IL}$	Input Logic Low Threshold				0.8	V
$V_{IH}$	Input Logic High Threshold (SDO pin)		2			V
$V_{OL}$	Output logic Low Threshold (SDO pin)	$I_{SDO} = 100\mu\text{A}$			0.2	V
		$I_{SDO} = 2\text{ mA}$			0.4	
$V_{OH}$	Output logic High Threshold	$I_{SDO} = 100\mu\text{A}$	$V_{IO} - 0.2$			V
		$I_{SDO} = 2\text{ mA}$	$V_{IO} - 0.6$			
$t_1$	High Period, SCK	(Note 10)	100			ns
$t_2$	Low Period, SCK	(Note 10)	100			ns
$t_3$	Set Up Time, $\overline{CS}$ to SCK	(Note 10)	50			ns
$t_4$	Set Up Time, SDI to SCK	(Note 10)	30			ns
$t_5$	Hold Time, SCK to SDI	(Note 10)	10			ns
$t_6$	Prop. Delay, SCK to SDO	(Note 10)			60	ns
$t_7$	Hold Time, SCK Transition to $\overline{CS}$ Rising Edge	(Note 10)	50			ns
$t_8$	$\overline{CS}$ Inactive	(Note 10)	100			ns
$t_9$	Hold Time, SCK Transition to $\overline{CS}$ Falling Edge	(Note 10)	10			ns
$t_R/t_F$	Signal Rise and Fall Times	(Note 10)	1.5		5	ns

**Note 1:** Absolute Maximum Ratings indicate limits beyond which damage to the device may occur. Operating Ratings indicate conditions for which the device is intended to be functional, but for which specific performance is not guaranteed. For guaranteed specifications and the test conditions, see Electrical Characteristics.

**Note 2:** Human Body Model, applicable std. MIL-STD-883, Method 3015.7. Machine Model, applicable std. JESD22-A115-A (ESD MM std. of JEDEC). Field-Induced Charge-Device Model, applicable std. JESD22-C101-C (ESD FICDM std. of JEDEC).

**Note 3:** The maximum power dissipation is a function of  $T_J(\text{max})$ ,  $\theta_{JA}$ . The maximum allowable power dissipation at any ambient temperature is:  $PD(\text{max}) = (T_J(\text{max}) - T_A) / \theta_{JA}$ . All numbers apply for packages soldered directly onto a PC Board.

**Note 4:** Electrical Table values apply only for factory testing conditions at the temperature indicated. Factory testing conditions result in very limited self-heating of the device such that  $T_J = T_A$ . No guarantee of parametric performance is indicated in the electrical tables under conditions of internal self-heating where  $T_J > T_A$ .

**Note 5:** Typical values represent the most likely parametric norm at the time of characterization. Actual typical values may vary over time and will also depend on the application and configuration. The typical values are not tested and are not guaranteed on shipped production material.

**Note 6:** All limits are guaranteed by testing, design, or statistical analysis.

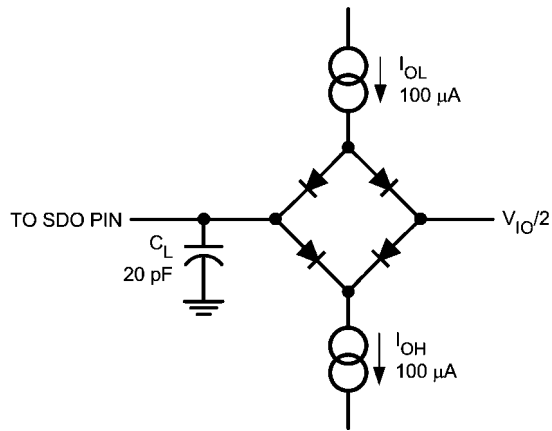
**Note 7:** Offset voltage temperature drift is determined by dividing the change in  $V_{OS}$  at the temperature extremes by the total temperature change.

**Note 8:**  $V_{OCM\_OS}$  is the difference between the Output Common mode voltage  $(+V_{OUT} + (-V_{OUT}/V_R)) / 2$  and the Voltage on the  $V_{OCM}$  pin.

**Note 9:** The number specified is the average of rising and falling slew rates and is measured at 90% to 10%.

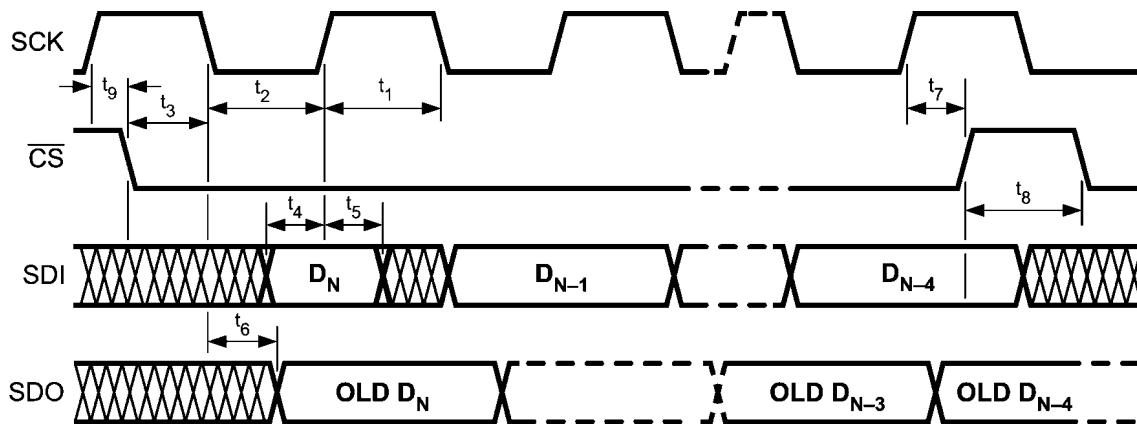
**Note 10:** Load for these tests is shown in the Test Circuit Diagram.

### Test Circuit Diagram



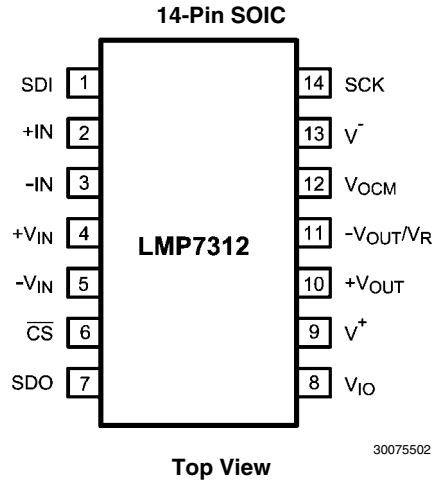
30075510

### Timing Diagram



30075509

## Connection Diagram



## Pin Descriptions

Pin	Name	Description
1	SDI	SPI data IN
2	+IN	Non-inverting input of Amplification pair
3	-IN	Inverting input of Amplification pair
4	+V <sub>IN</sub>	Non-inverting input of Attenuation pair
5	-V <sub>IN</sub>	Inverting input of Attenuation pair
6	CS	SPI chip select
7	SDO	SPI data OUT
8	V <sub>IO</sub>	SPI supply voltage
9	V <sup>+</sup>	Positive supply voltage
10	+V <sub>OUT</sub>	Non-inverting output
11	-V <sub>OUT</sub> /V <sub>R</sub>	Inverting output in differential output mode, reference input in single-ended operation mode
12	V <sub>OCM</sub>	Output common mode voltage in DE
13	V <sup>-</sup>	Negative supply voltage, reference for both Analog and Digital supplies
14	SCK	SPI Clock

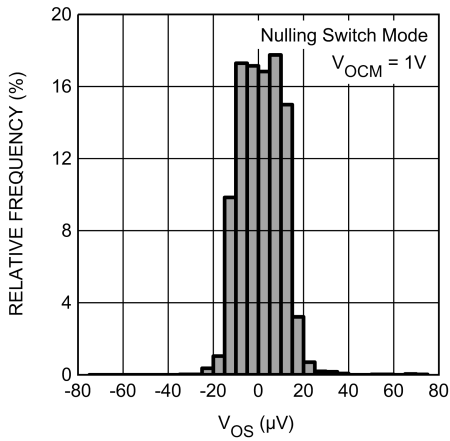
## Ordering Information

Package	Part Number	Package Marking	Transport Media	NSC Drawing
14-Pin SOIC	LMP7312MA	LMP7312MA	95 Units/Rail	M14A
	LMP7312MAX		2.5k units Tape and Reel	

## Typical Performance Characteristics

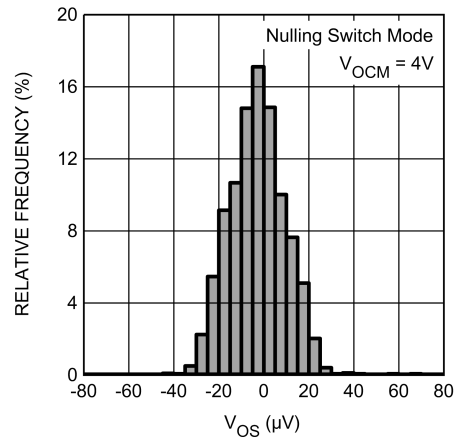
Unless otherwise specified,  $T_A = 25^\circ\text{C}$ ,  $V^+ = 5\text{V}$ ,  $V_{IO} = 5\text{V}$ ,  $V^- = 0\text{V}$ ,  $V_{CM\_ATT} = (+V_{IN} + (-V_{IN}))/2$ ,  $V_{CM\_AMP} = (+IN + (-IN))/2$ .  $R_L = 10\text{k}\Omega$ ,  $C_L = 50\text{pF}$ , Differential output configuration.

**Offset Voltage distribution (PMOS)**



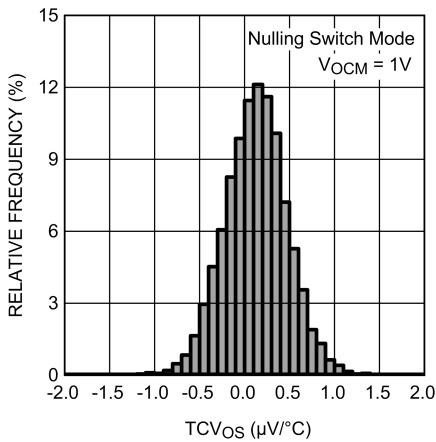
30075546

**Offset Voltage distribution (NMOS)**



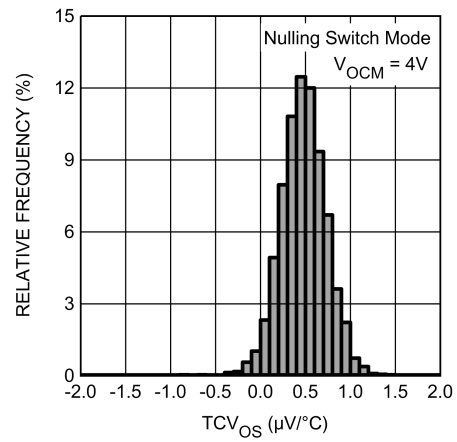
30075547

**TCV<sub>OS</sub> distribution (PMOS)**



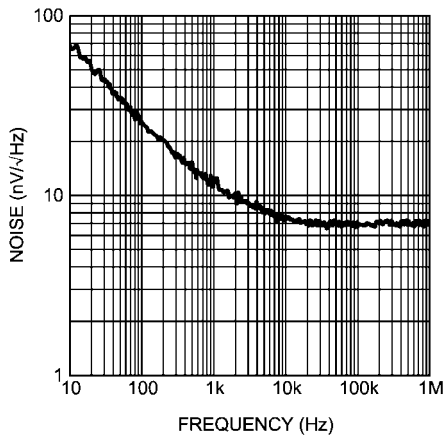
30075548

**TCV<sub>OS</sub> distribution (NMOS)**



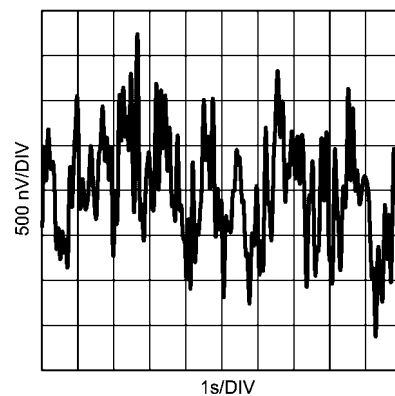
30075549

**Noise vs. Frequency (Core op-amp)**



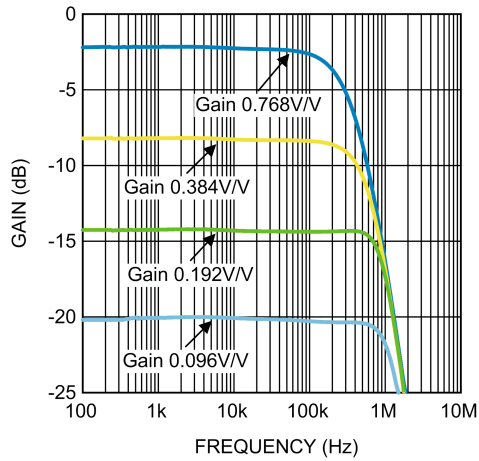
30075519

**0.1Hz to 10Hz Noise (Core op-amp)**



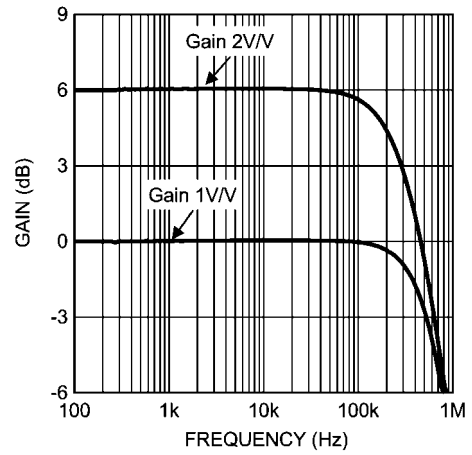
30075520

Gain vs. Frequency (Attenuation Mode)



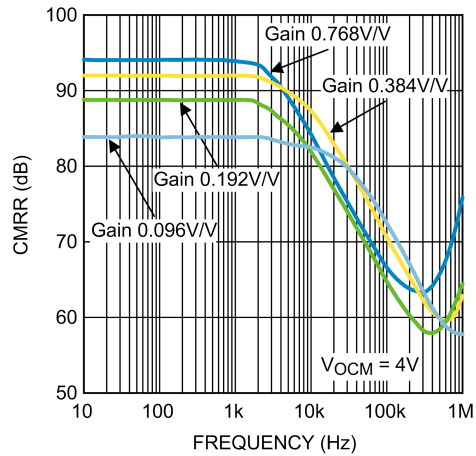
30075521

Gain vs. Frequency (Amplification Mode)



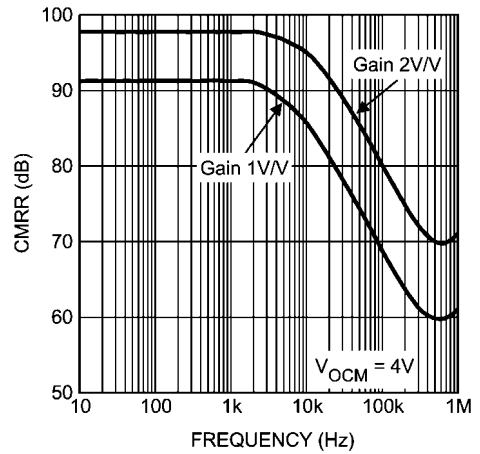
30075522

CMRR vs. Frequency (Attenuation Mode)



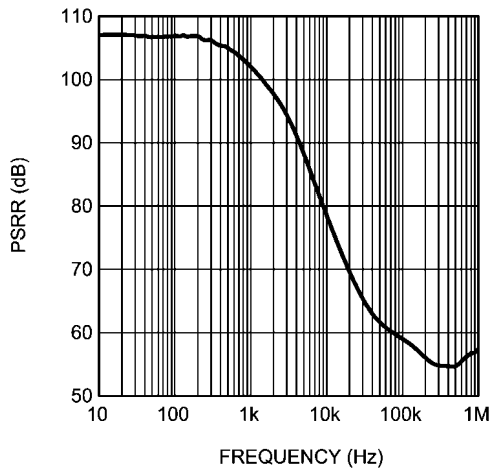
30075536

CMRR vs. Frequency (Amplification Mode)



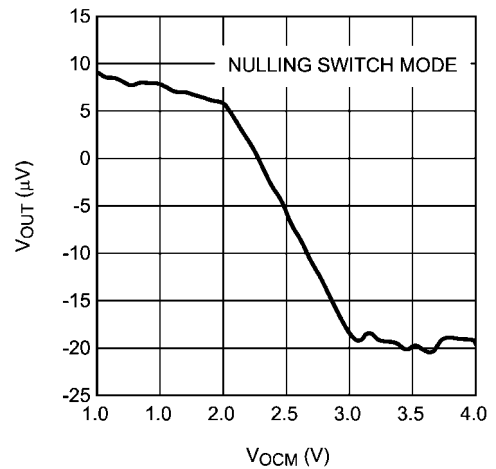
30075537

PSRR (Core op-amp)



30075523

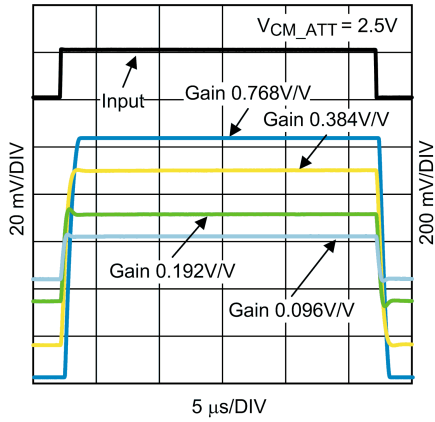
Vos vs. Input Common Mode Voltage



30075545

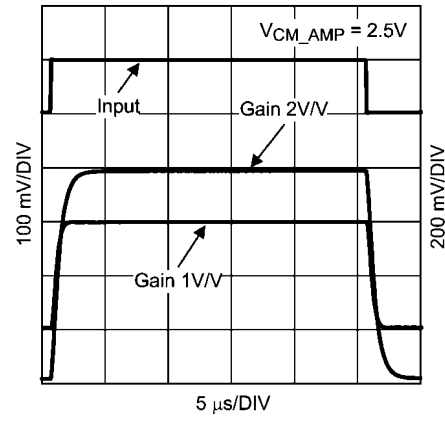


**Small signal step (Attenuation Mode)**



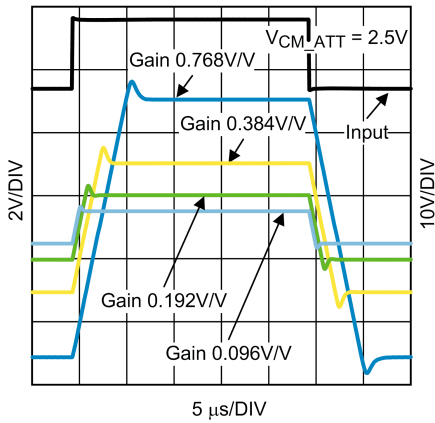
30075524

**Small signal step (Amplification Mode)**



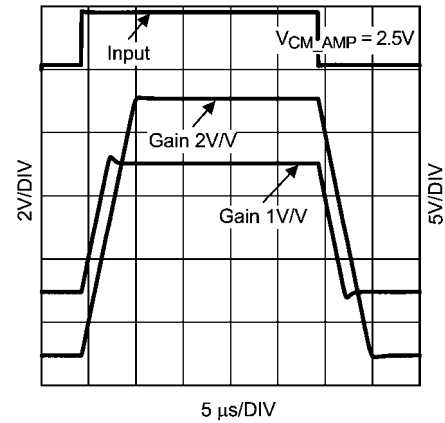
30075525

**Large signal step (Attenuation Mode)**



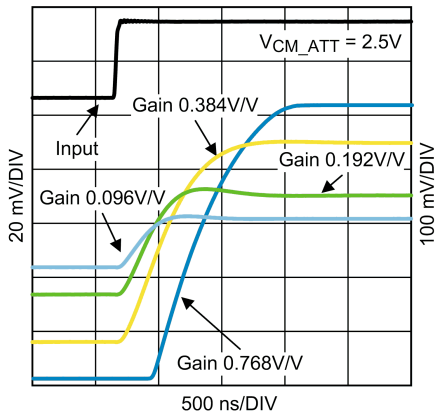
30075526

**Large signal step (Amplification Mode)**



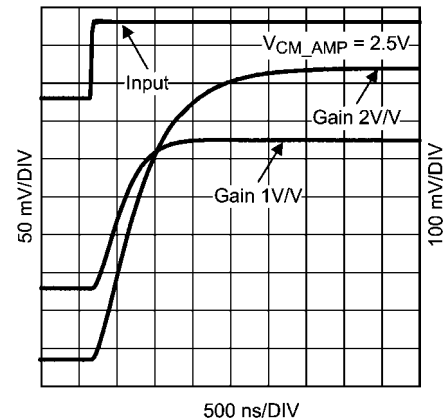
30075527

**Settling time – Rise (Attenuation Mode)**



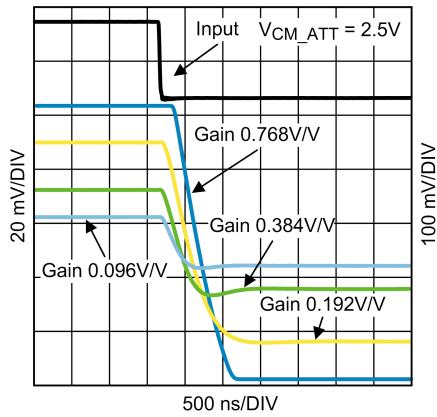
30075528

**Settling time – Rise (Amplification Mode)**



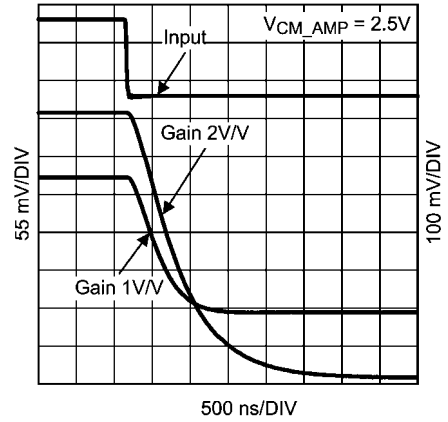
30075529

Settling time – Fall (Attenuation Mode)



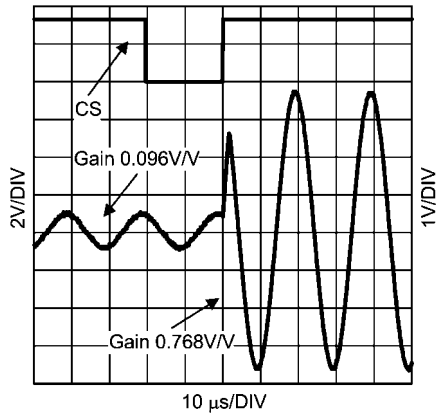
30075530

Settling time – Fall (Amplification Mode)



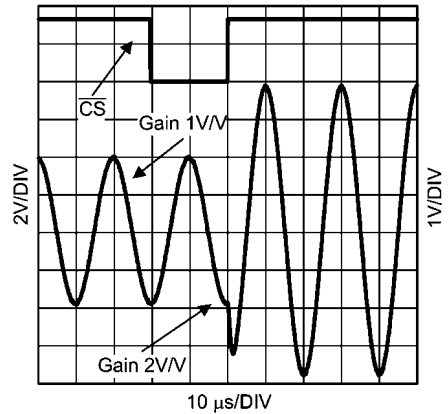
30075531

Gain change (Attenuation Mode)



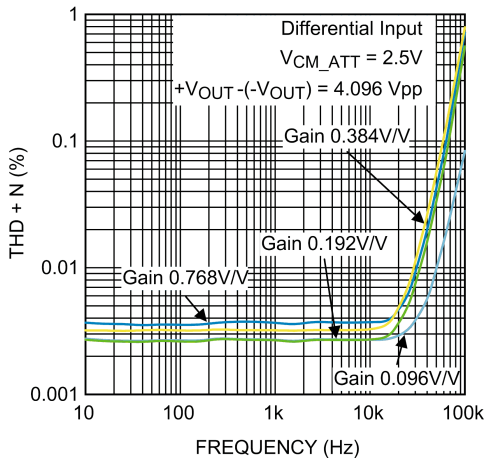
30075532

Gain change (Amplification Mode)



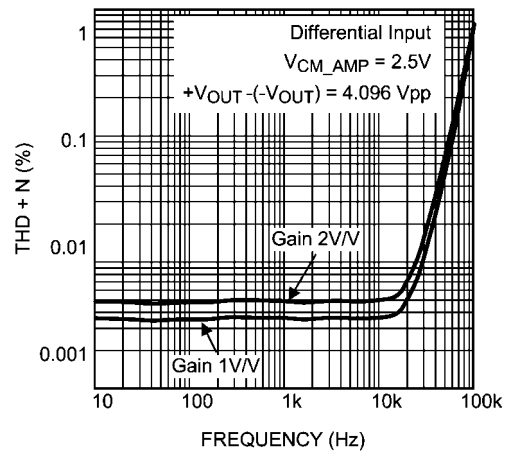
30075533

THD + N (Attenuation Mode)

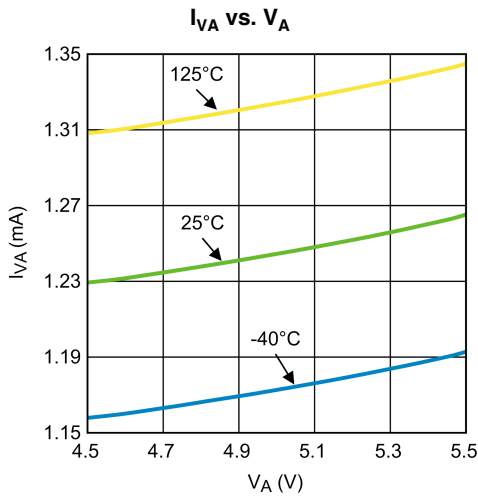


30075534

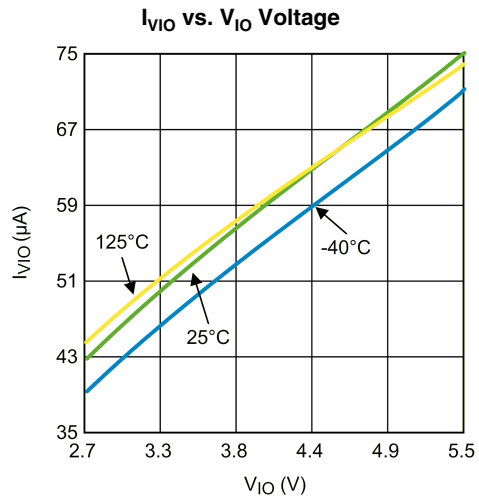
THD + N (Amplification Mode)



30075535

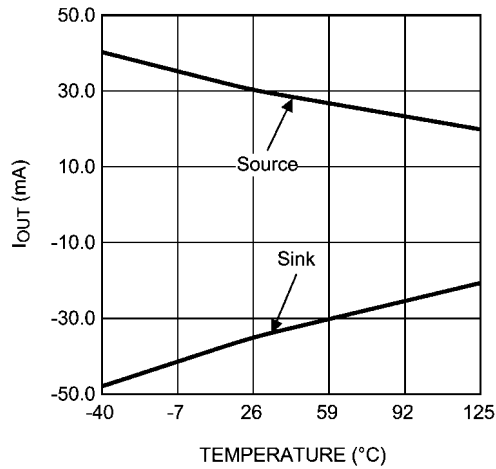


30075551



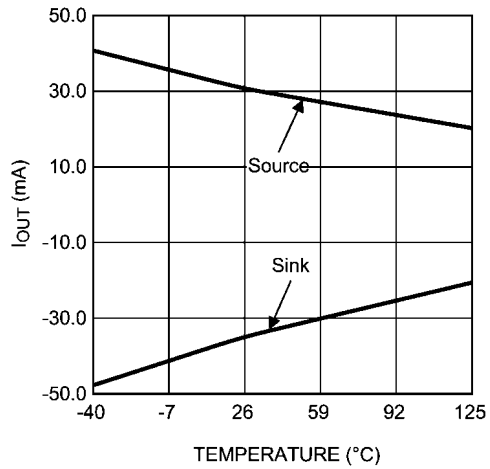
30075550

Short Circuit Current +V<sub>OUT</sub> vs. Temperature



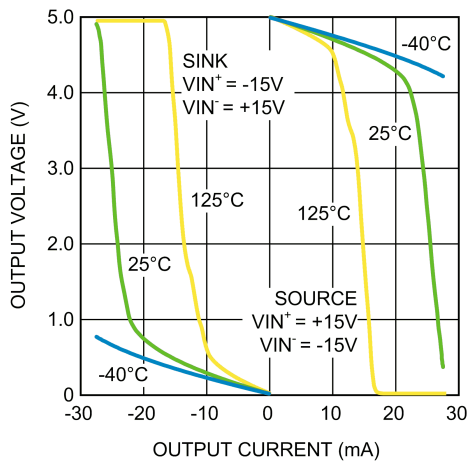
30075541

Short Circuit Current -V<sub>OUT</sub> vs. Temperature



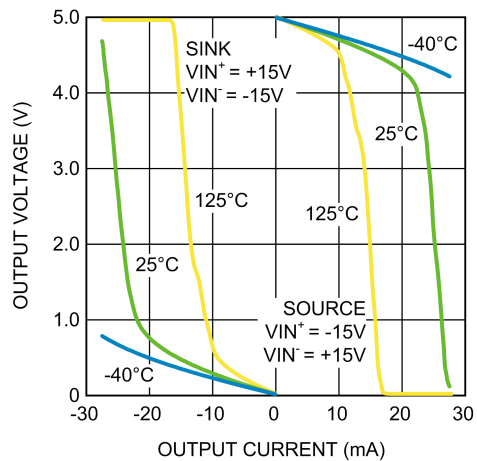
30075540

Output voltage swing +V<sub>OUT</sub> vs. Output current



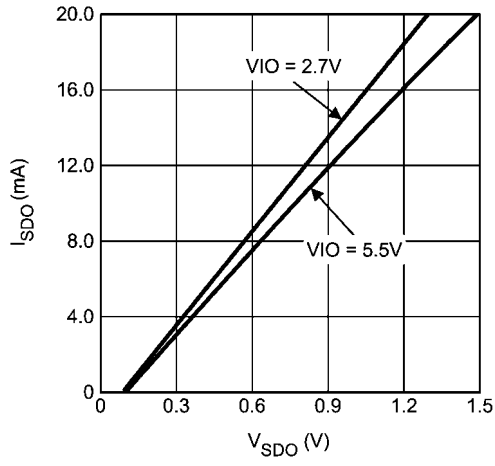
30075543

Output voltage swing -V<sub>OUT</sub> vs. Output current



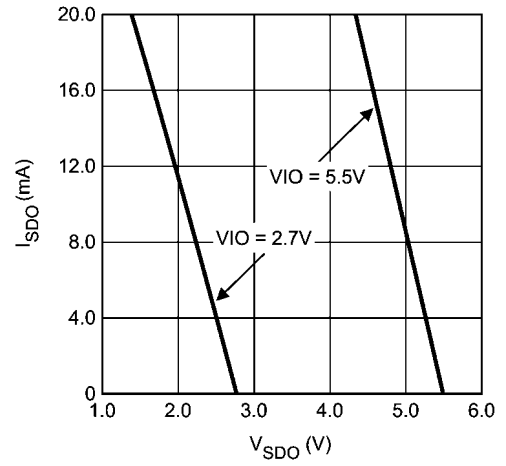
30075542

SDO sink current vs. SDO Voltage



30075539

SDO source current vs. SDO Voltage



30075538

## Application Section

### GENERAL DESCRIPTION

The LMP7312 is a single supply programmable gain difference amplifier with two input pairs: Attenuation pair ( $-V_{IN}$ ,  $+V_{IN}$ ) and Amplification pair ( $-IN$ ,  $+IN$ ). The output can be configured in both single-ended and differential modes with the output common mode voltage set by the user. The input selection, the gains and the mode of operation of the LMP7312 are controlled through a 4-wire SPI interface (SCK,  $\overline{CS}$ , SDI, SDO). These features combined make the LMP7312 a very easy interface between the analog high voltage industrial buses and the low voltage digital converters.

### OUTPUT MODE CONFIGURATION

The LMP7312 is able to work in both single ended and differential output mode. The selection of the mode is made through the  $V_{OCM}$  (output common mode voltage) pin.

#### Differential Output

This mode of operation is enabled when the output common mode voltage pin ( $V_{OCM}$ ) is connected to a voltage higher than

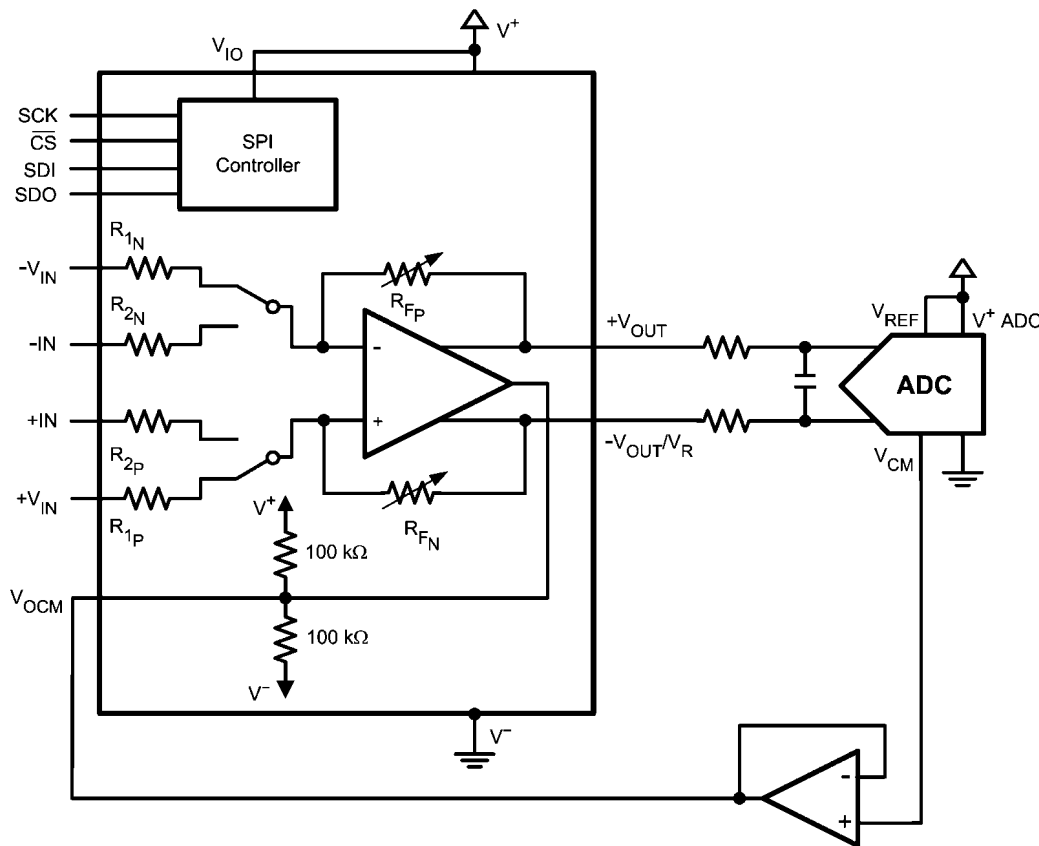
1V, for instance the common mode voltage supplied by an ADC, (Figure 1) or a voltage reference. If the  $V_{OCM}$  pin is floating an internal voltage divider biases it at the half supply voltage. In this configuration the output signals are set on the  $V_{OCM}$  voltage level.

#### Single-Ended Output

This mode of operation is enabled when the  $V_{OCM}$  pin is tied to a voltage less than 0.5 V, for example to ground. In this mode of operation the LMP7312 behaves as a difference amplifier, where the  $+V_{OUT}$  pin is the single-ended output while the  $-V_{OUT}/V_R$  is the reference voltage.

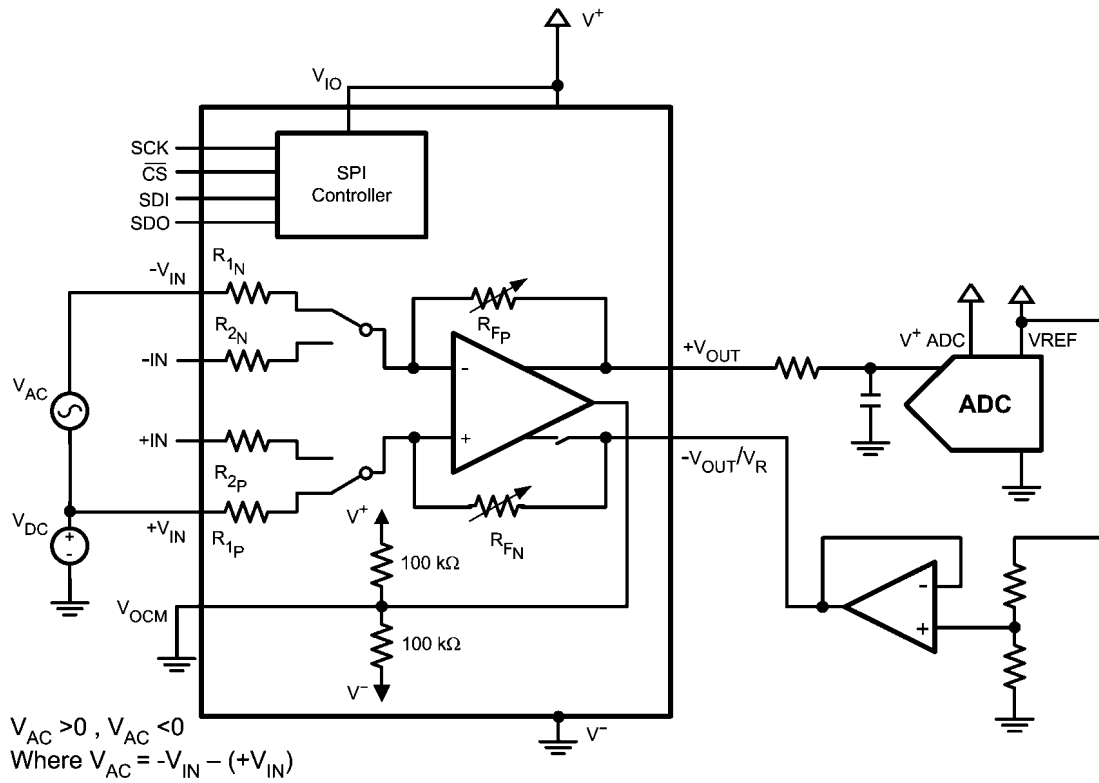
1. In the case of bipolar input signal the non inverting output will be connected to an external reference through a buffer (Figure 2).
2. In the case of unipolar input signal the non inverting output will be connected to ground (Figure 3).

In both cases the inverting output pin is configured as an input pin.



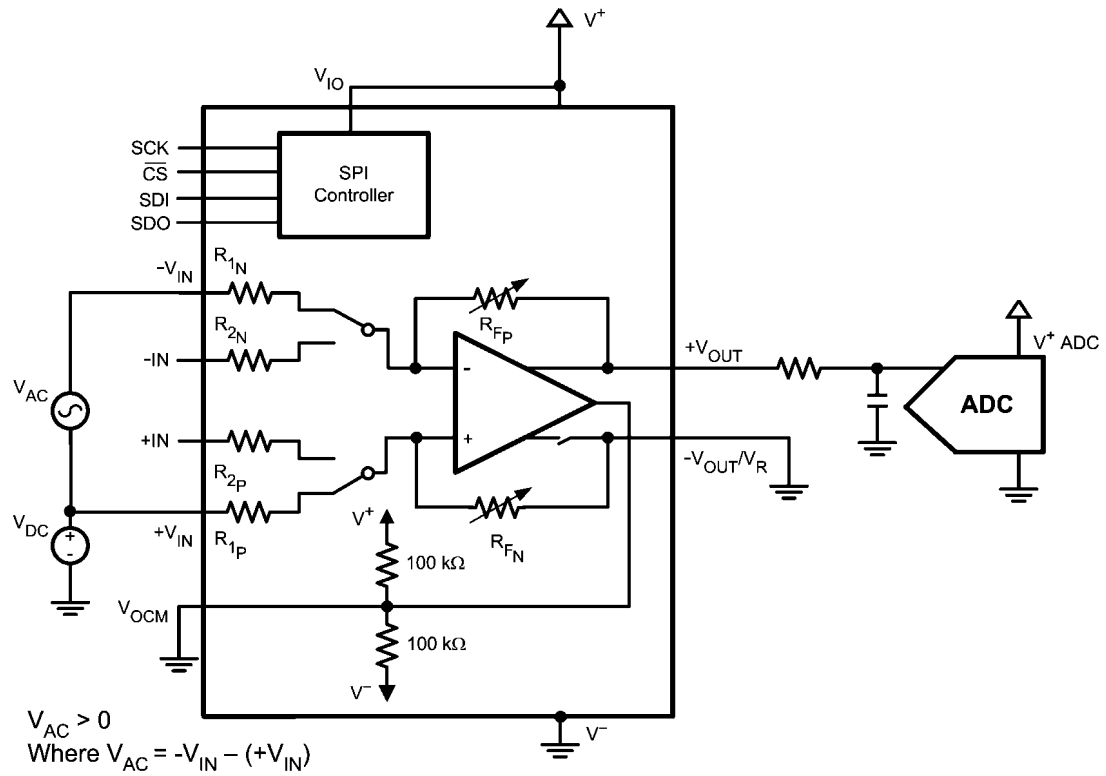
30075503

FIGURE 1. Differential ADC Interfacing with  $V_{CM}$  provided by the ADC



30075504

FIGURE 2. Bipolar Input Signal to Single-Ended ADC Interface



30075505

FIGURE 3. Unipolar Input Signal to Single-Ended ADC Interface

## INPUT VOLTAGE RANGE

The LMP7312 has an internal OpAmp with rail-to-rail input voltage range capability. The requirement to stay within the V<sup>-</sup> and V<sup>+</sup> rail at the OpAmp input translates in an Input Voltage Range specification as explained in this application section.

### Differential Output

Considering a single positive supply (V<sup>-</sup> = GND, V<sup>+</sup> = V<sub>S</sub>) the Input Common mode voltage,  $V_{CM\_ATT} = (+V_{IN} + (-V_{IN}))/2$  for the Attenuation inputs and  $V_{CM\_AMP} = (+I_{IN} + (-I_{IN}))/2$  for the Amplification inputs, has to stay between the MIN and MAX values determined by these formulas:

$$CM_{MAX} = V_S + 1/K_V * (V_S - V_{OCM})$$

$$CM_{MIN} = -1/K_V * V_{OCM}$$

K<sub>V</sub> is a function of the Gain according to the table below:

Gain	0.096 V/V	0.192 V/V	0.384 V/V	0.768 V/V	1 V/V	2 V/V
K <sub>V</sub>	0.12	0.218	0.414	0.806	1.065	2.096

Regardless to the values derived by the formula, the voltage on each input pin must never exceed the specified Absolute Maximum Ratings.

Below are some typical values:

### Differential Input, Differential Output, V<sub>S</sub> = 5V, V<sub>OCM</sub> = 2.5V

Gain	V <sub>CM\_ATT</sub>		V <sub>CM\_AMP</sub>	
	Min	Max	Min	Max
0.096 V/V	-15 V*	+15 V*		
0.192 V/V	-11.5 V	+15 V		
0.384 V/V	-6 V	+11 V		
0.768 V/V	-3.1 V	+8.1 V		
1 V/V			-2.3 V	+7.3 V
2 V/V			-1.2 V	+6.2 V

\* Limited by the operating ratings on input pins

In the case of a single ended input referred to ground (-V<sub>IN</sub> = GND, -IN = GND) the table below summarizes the voltage range allowed on the +V<sub>IN</sub> and +I<sub>IN</sub> inputs.

### Single Ended Input, Differential Output, V<sub>S</sub> = 5V, V<sub>OCM</sub> = 2.5V, -V<sub>IN</sub> = GND, -I<sub>IN</sub> = GND

Gain	+V <sub>IN</sub>		+IN	
	Min	Max	Min	Max
0.096 V/V	-15 V*	+15 V*		
0.192 V/V	-15 V*	+15 V*		
0.384 V/V	-12 V**	+12 V**		
0.768 V/V	-6 V**	+6 V**		
1 V/V			-4.6 V**	+4.6 V**
2 V/V			-2.3 V**	+2.3 V**

\* Limited by the operating ratings on input pins

\*\* Limited by the output voltage swing (0.2V to V<sub>S</sub>-0.2V on both +V<sub>OUT</sub> and -V<sub>OUT</sub>)

### Single Ended Output

In this mode the LMP7312 behaves as a Difference Amplifier, with -V<sub>OUT</sub>/V<sub>R</sub> being the reference output voltage when a zero volt differential input signal is applied. The voltages at the OpAmp inputs are determined by +V<sub>IN</sub> and -V<sub>OUT</sub>/V<sub>R</sub> voltages. The voltage range of +V<sub>IN</sub> and +I<sub>IN</sub> inputs is as follows:

$$V_{MAX} = V_S + 1/K_V * (V_S - (-V_{OUT}/V_R))$$

$$V_{MIN} = -1/K_V * (-V_{OUT}/V_R)$$

Regardless of the values derived by the formula, the voltage on each input pin must never exceed the specified Absolute Maximum Ratings.

Below are some typical values:

### Differential Input, Single Ended Output, V<sub>S</sub> = 5V, V<sub>OCM</sub> = GND, and -V<sub>OUT</sub>/V<sub>R</sub> = 2.5V

Gain	+V <sub>IN</sub>		+I <sub>IN</sub>	
	Min	Max	Min	Max
0.096 V/V	-15 V*	+15 V*		
0.192 V/V	-11.5 V*	+15 V		
0.384 V/V	-6 V	+11 V		
0.768 V/V	-3.1 V	+8.1 V		
1 V/V			-2.3 V	+7.3 V
2 V/V			-1.2 V	+6.2 V

\* Limited by the operating ratings on input pins

In the case of a single ended input referred to ground (-V<sub>IN</sub> = GND, -IN = GND) this table summarize the voltage ranges allowed on the +V<sub>IN</sub> and +I<sub>IN</sub> inputs.

### Single Ended Input, Single Ended Output, V<sub>S</sub> = 5V, V<sub>OCM</sub> = GND, -V<sub>OUT</sub>/V<sub>R</sub> = 2.5V, -V<sub>IN</sub> = GND, -I<sub>IN</sub> = GND

Gain	+V <sub>IN</sub>		+I <sub>IN</sub>	
	Min	Max	Min	Max
0.096 V/V	-15 V*	+15 V*		
0.192 V/V	-11.5 V	+12 V**		
0.384 V/V	-6 V**	+6 V**		
0.768 V/V	-3 V**	+3 V**		
1 V/V			-2.3 V**	+2.3 V**
2 V/V			-1.1 V**	+1.1 V**

\* Limited by the operating ratings on input pins

\*\* Limited by the output voltage swing (0.2V to V<sub>S</sub>-0.2V on +V<sub>OUT</sub>)

## SERIAL INTERFACE CONTROL OPERATION

The serial interface control of the LMP7312 can be supplied with a voltage between 2.7V and 5.5V through the V<sub>IO</sub> pin for compatibility with different logic families present in the market. The LMP7312 Attenuation, Amplification, Null switch and HiZ modes are controlled by a register. Data to be written into the control register is first loaded into the LMP7312 via the serial interface. The serial interface employs a 5-bit shift register. Data is loaded through the serial data input, SDI. Data passing through the shift register is obtained through the serial data output, SDO. The serial clock, SCK controls the serial loading process. All five data bits are required to correctly program the device. The falling edge of  $\overline{CS}$  enables the shift register to receive data. The SCK signal must be high during the falling edge of  $\overline{CS}$ . Each data bit is clocked into the shift register on the rising edge of SCK. Data is transferred from the shift register to the holding register on the rising edge of  $\overline{CS}$ . Operation is shown in the timing diagram .

### SPI Registers

MSB				LSB
Gain_1	Gain_0	EN_CL	Null_SW	Hi_Z

**Gain\_0, Gain\_1 bit: Gain Values**

Different gains are available in Attenuation Mode or Amplification Mode according to the following Gain Table.

Gain_1	Gain_0	EN_CL	Gain Value (V/V)
0	0	0	0.096
0	1	0	0.192
1	0	0	0.384
1	1	0	0.768
1	0	1	1
1	1	1	2

**EN\_CL bit: Enable Amplification Mode**

This register selects which input pair is processed.

EN_CL	Mode	Description
0	Attenuation Mode	$\pm V_{IN}$ inputs are processed through the 104.16k input resistors
1	Amplification Mode	$\pm IN$ inputs are processed through the 40k input resistors

**NULL\_SW bit: Input Offset Nulling Switch Mode**

This register selects a mode in which the amplifier is not processing any input but it is configured in unity gain to allow system level amplifier offset calibration. The Nulling Switch mode is available in both single ended and fully differential output mode. The LMP7312 in Nulling Switch and fully differential mode has the following configuration.

NULL_SW	Mode	Description
0	Normal Operation Mode	$\pm V_{IN}$ and $\pm IN$ inputs are processed depending on EN_CL register setting.
1	Nulling Switch Mode	Enables to evaluate the offset of the internal amplifier for system level calibration

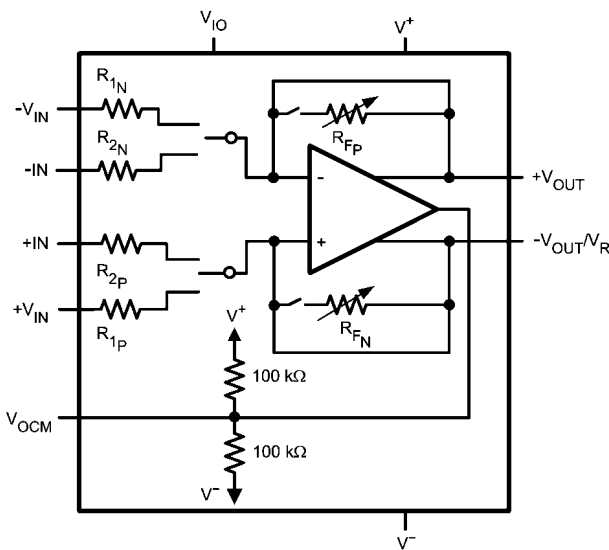


FIGURE 4. LMP7312 in Nulling Switch Mode

In this condition at the Output pins it is possible to measure the input voltage offset of the op-amp:

Output Mode	+V <sub>OUT</sub>	-V <sub>OUT</sub> /V <sub>R</sub>
Differential	$V_{CM\_out} + V_{OS}/2$	$V_{CM\_out} - V_{OS}/2$
Single-Ended	$V_R + V_{OS}$	$V_R$

**Hi\_Z bit: High Impedance**

In this mode both outputs +V<sub>OUT</sub> and -V<sub>OUT</sub>/V<sub>R</sub> of the LMP7312 are in tri-state [Figure 5](#).

Hi_Z	Mode	Description
0	Normal Operation Mode	The LMP7312 is configured according to value of the other 4 bits of the register.
1	High Impedance Mode	The LMP7312 output is in high impedance

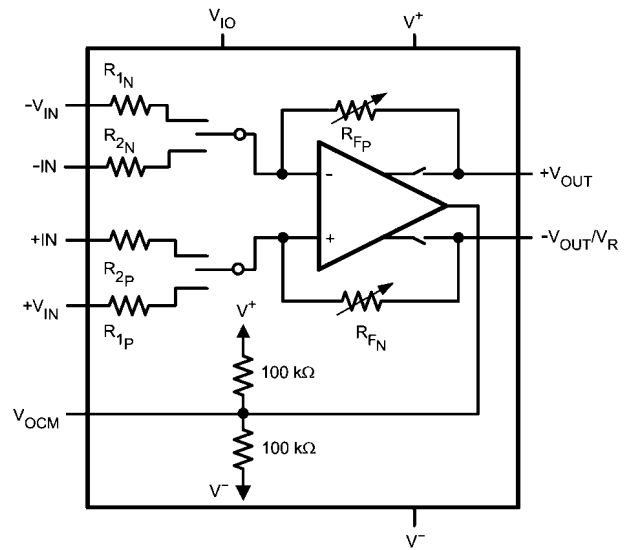


FIGURE 5. LMP7312 in High Impedance Mode



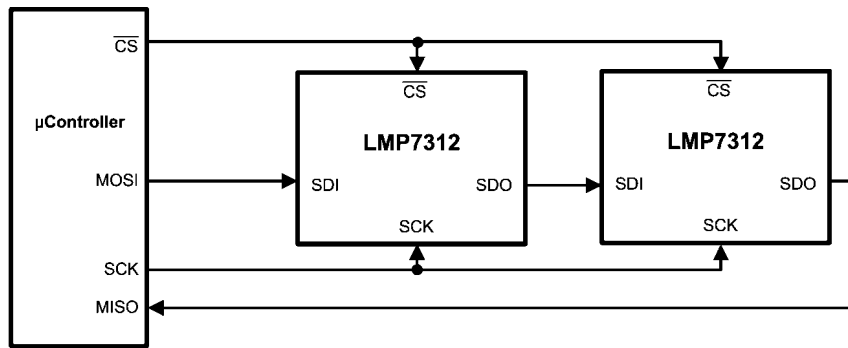
In each case the SPI registers require 5 bits. The table below is a summary of all allowed configurations.

MSB					LSB	
Gain_1	Gain_0	EN_CL	Null_SW	Hi_Z	Gain Value (V/V)	Mode of Operation
0	0	0	0	0	0.096	Attenuation Mode
0	1	0	0	0	0.192	Attenuation Mode
1	0	0	0	0	0.384	Attenuation Mode
1	1	0	0	0	0.768	Attenuation Mode
1	0	1	0	0	1	Amplification Mode
1	1	1	0	0	2	Amplification Mode
x	x	x	x	1	–	High Impedance Output
x	x	x	1	0	1	Null Switch Mode

**Daisy Chain**

The LMP7312 supports daisy chaining of the serial data stream between multiple chips. To use this feature serial data is clocked into the first chip SDI pin, and the next chip SDI pin is connected to the SDO pin of the first chip. Both chips may share a chip select signal, or the second chip can be enabled

separately. When the chip select pin goes low on both chips and 5 bits have been clocked into the first chip the next 5 clock cycle begins moving new configuration data into the second chip. With a full 10 clock cycles both chips have valid data and the chip select pin of both chips should be brought high to prevent the data from overshooting.



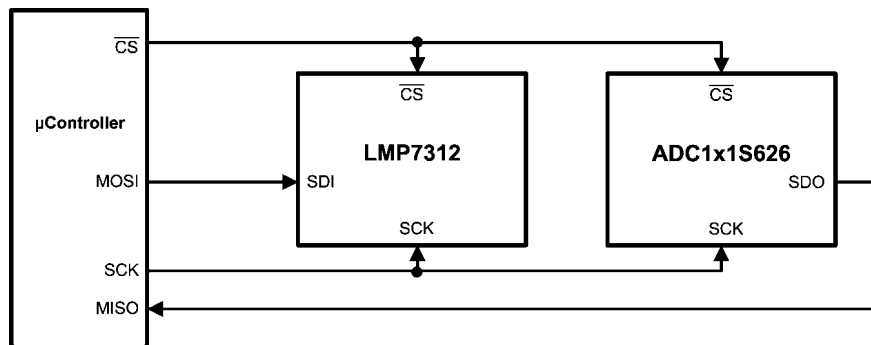
30075511

FIGURE 6. Daisy chain

**Shared 4-wire SPI with ADC**

The LMP7312 is a good choice when interfacing to differential analog to digital converters ADC141S626 and ADC161S626 of PowerWise® Family. Its SPI interface has been designed to enable sharing CSB with the ADC. LMP7312 register access happens only when CSB is asserted low while SCK is high. However, the ADC starts conversion under any of the following conditions: (1) CSB goes low while SCK is high, (2)

CSB goes low while SCK is low, (3) CSB and SCK both going low. Therefore, if a system uses timing condition #2 above, LMP7312 and ADC1x1S626 can share CSB and SCK as shown in Figure 7. The only side-effect would be that writing to LMP7312 triggers an ADC conversion, but then the result can be ignored. At other times, the LMP7312 is not affected by the CSB assertions used to initiate normal ADC conversions.



30075512

FIGURE 7. 4-wire SPI with ADC interface



Parameter	Unit	Value				1	2
		0.096	0.192	0.384	0.768		
Gain	V/V	0.096	0.192	0.384	0.768	1	2
Total Offset Input Referred (MAX)	$\mu\text{V}$	$\pm 1141$	$\pm 620$	$\pm 360$	$\pm 230$	$\pm 200$	$\pm 150$
Total Offset Output Referred (MAX)	$\mu\text{V}$	$\pm 109$	$\pm 119$	$\pm 138$	$\pm 176$	$\pm 200$	$\pm 300$
TCV <sub>OS</sub> Input Referred @ 25°C (MAX)	$\mu\text{V}/^\circ\text{C}$	$\pm 32.3$	$\pm 18.6$	$\pm 10.8$	$\pm 6.9$	$\pm 6$	$\pm 4.5$
TCV <sub>OS</sub> Output Referred @ 25°C (MAX)	$\mu\text{V}/^\circ\text{C}$	$\pm 3.3$	$\pm 3.6$	$\pm 4.1$	$\pm 5.3$	$\pm 6$	$\pm 9$

### Noise calculation

Listed in the table below are the calculated values for Voltage Noise based on the spectral density of the core op-amp at 10kHz (for all gain configurations).

Parameter	Unit	Value				1	2
		0.096	0.192	0.384	0.768		
Gain	V/V	0.096	0.192	0.384	0.768	1	2
Total Noise Referred to Input	$\text{nV}/\sqrt{\text{Hz}}$	211	150	112	89	53	46
Total Noise Referred to Output	$\text{nV}/\sqrt{\text{Hz}}$	20	29	43	68	53	92

### Input resistance calculation

The common mode input resistance is the resistance seen from node "A" when  $\Delta V_1 = \Delta V_2 = 0$  and a common mode voltage  $\Delta V_{CM}$  is applied to both inputs of the LMP7312. The

differential input resistance is the resistance seen from the nodes "B" and "C" when  $\Delta V_{CM} = 0$  and a differential voltage  $\Delta V_1 = \Delta V_2 = V/2$  is applied to the inputs of the LMP7312.

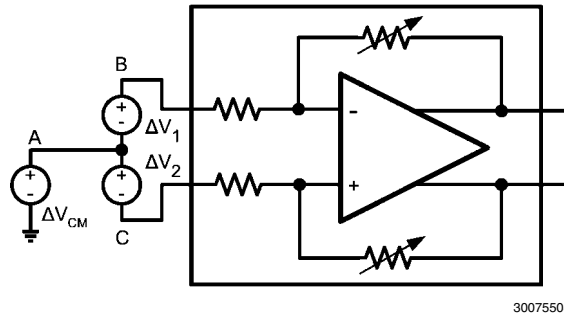
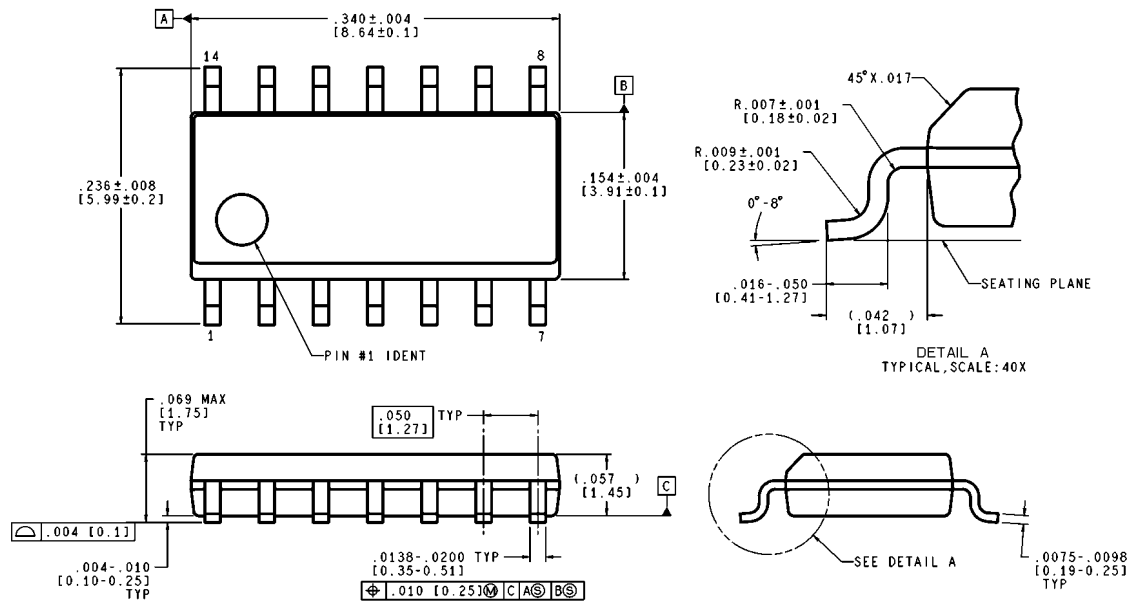


FIGURE 9. Circuit for Input Resistance calculation

Mode of Operation		Unit	Gains			
			0.096	0.192	0.384	0.768
Attenuation Mode			0.096	0.192	0.384	0.768
	Common Mode Resistance	$\text{k}\Omega$	57.08	62.08	72.08	92.08
	Differential Resistance	$\text{k}\Omega$	228.30	248.30	288.30	368.30
Amplification Mode			1		2	
	Common Mode Resistance	$\text{k}\Omega$	40.0		60.0	
	Differential Resistance	$\text{k}\Omega$	160.0		240.0	

**Physical Dimensions** inches (millimeters) unless otherwise noted



CONTROLLING DIMENSION IS INCH  
VALUES IN [ ] ARE MILLIMETERS

M14A (Rev J)

**14-Pin SOIC  
NS Package Number M14A**

# Notes

LMP7312

## Notes

For more National Semiconductor product information and proven design tools, visit the following Web sites at:  
[www.national.com](http://www.national.com)

Products		Design Support	
Amplifiers	<a href="http://www.national.com/amplifiers">www.national.com/amplifiers</a>	WEBENCH® Tools	<a href="http://www.national.com/webench">www.national.com/webench</a>
Audio	<a href="http://www.national.com/audio">www.national.com/audio</a>	App Notes	<a href="http://www.national.com/appnotes">www.national.com/appnotes</a>
Clock and Timing	<a href="http://www.national.com/timing">www.national.com/timing</a>	Reference Designs	<a href="http://www.national.com/refdesigns">www.national.com/refdesigns</a>
Data Converters	<a href="http://www.national.com/adc">www.national.com/adc</a>	Samples	<a href="http://www.national.com/samples">www.national.com/samples</a>
Interface	<a href="http://www.national.com/interface">www.national.com/interface</a>	Eval Boards	<a href="http://www.national.com/evalboards">www.national.com/evalboards</a>
LVDS	<a href="http://www.national.com/lvds">www.national.com/lvds</a>	Packaging	<a href="http://www.national.com/packaging">www.national.com/packaging</a>
Power Management	<a href="http://www.national.com/power">www.national.com/power</a>	Green Compliance	<a href="http://www.national.com/quality/green">www.national.com/quality/green</a>
Switching Regulators	<a href="http://www.national.com/switchers">www.national.com/switchers</a>	Distributors	<a href="http://www.national.com/contacts">www.national.com/contacts</a>
LDOs	<a href="http://www.national.com/ldo">www.national.com/ldo</a>	Quality and Reliability	<a href="http://www.national.com/quality">www.national.com/quality</a>
LED Lighting	<a href="http://www.national.com/led">www.national.com/led</a>	Feedback/Support	<a href="http://www.national.com/feedback">www.national.com/feedback</a>
Voltage References	<a href="http://www.national.com/vref">www.national.com/vref</a>	Design Made Easy	<a href="http://www.national.com/easy">www.national.com/easy</a>
PowerWise® Solutions	<a href="http://www.national.com/powerwise">www.national.com/powerwise</a>	Applications & Markets	<a href="http://www.national.com/solutions">www.national.com/solutions</a>
Serial Digital Interface (SDI)	<a href="http://www.national.com/sdi">www.national.com/sdi</a>	Mil/Aero	<a href="http://www.national.com/milaero">www.national.com/milaero</a>
Temperature Sensors	<a href="http://www.national.com/tempensors">www.national.com/tempensors</a>	SolarMagic™	<a href="http://www.national.com/solarmagic">www.national.com/solarmagic</a>
PLL/VCO	<a href="http://www.national.com/wireless">www.national.com/wireless</a>	PowerWise® Design University	<a href="http://www.national.com/training">www.national.com/training</a>

THE CONTENTS OF THIS DOCUMENT ARE PROVIDED IN CONNECTION WITH NATIONAL SEMICONDUCTOR CORPORATION ("NATIONAL") PRODUCTS. NATIONAL MAKES NO REPRESENTATIONS OR WARRANTIES WITH RESPECT TO THE ACCURACY OR COMPLETENESS OF THE CONTENTS OF THIS PUBLICATION AND RESERVES THE RIGHT TO MAKE CHANGES TO SPECIFICATIONS AND PRODUCT DESCRIPTIONS AT ANY TIME WITHOUT NOTICE. NO LICENSE, WHETHER EXPRESS, IMPLIED, ARISING BY ESTOPPEL OR OTHERWISE, TO ANY INTELLECTUAL PROPERTY RIGHTS IS GRANTED BY THIS DOCUMENT.

TESTING AND OTHER QUALITY CONTROLS ARE USED TO THE EXTENT NATIONAL DEEMS NECESSARY TO SUPPORT NATIONAL'S PRODUCT WARRANTY. EXCEPT WHERE MANDATED BY GOVERNMENT REQUIREMENTS, TESTING OF ALL PARAMETERS OF EACH PRODUCT IS NOT NECESSARILY PERFORMED. NATIONAL ASSUMES NO LIABILITY FOR APPLICATIONS ASSISTANCE OR BUYER PRODUCT DESIGN. BUYERS ARE RESPONSIBLE FOR THEIR PRODUCTS AND APPLICATIONS USING NATIONAL COMPONENTS. PRIOR TO USING OR DISTRIBUTING ANY PRODUCTS THAT INCLUDE NATIONAL COMPONENTS, BUYERS SHOULD PROVIDE ADEQUATE DESIGN, TESTING AND OPERATING SAFEGUARDS.

EXCEPT AS PROVIDED IN NATIONAL'S TERMS AND CONDITIONS OF SALE FOR SUCH PRODUCTS, NATIONAL ASSUMES NO LIABILITY WHATSOEVER, AND NATIONAL DISCLAIMS ANY EXPRESS OR IMPLIED WARRANTY RELATING TO THE SALE AND/OR USE OF NATIONAL PRODUCTS INCLUDING LIABILITY OR WARRANTIES RELATING TO FITNESS FOR A PARTICULAR PURPOSE, MERCHANTABILITY, OR INFRINGEMENT OF ANY PATENT, COPYRIGHT OR OTHER INTELLECTUAL PROPERTY RIGHT.

### LIFE SUPPORT POLICY

**NATIONAL'S PRODUCTS ARE NOT AUTHORIZED FOR USE AS CRITICAL COMPONENTS IN LIFE SUPPORT DEVICES OR SYSTEMS WITHOUT THE EXPRESS PRIOR WRITTEN APPROVAL OF THE CHIEF EXECUTIVE OFFICER AND GENERAL COUNSEL OF NATIONAL SEMICONDUCTOR CORPORATION.** As used herein:

Life support devices or systems are devices which (a) are intended for surgical implant into the body, or (b) support or sustain life and whose failure to perform when properly used in accordance with instructions for use provided in the labeling can be reasonably expected to result in a significant injury to the user. A critical component is any component in a life support device or system whose failure to perform can be reasonably expected to cause the failure of the life support device or system or to affect its safety or effectiveness.

National Semiconductor and the National Semiconductor logo are registered trademarks of National Semiconductor Corporation. All other brand or product names may be trademarks or registered trademarks of their respective holders.

Copyright© 2010 National Semiconductor Corporation

For the most current product information visit us at [www.national.com](http://www.national.com)



**National Semiconductor Americas Technical Support Center**  
 Email: [support@nsc.com](mailto:support@nsc.com)  
 Tel: 1-800-272-9959

**National Semiconductor Europe Technical Support Center**  
 Email: [europe.support@nsc.com](mailto:europe.support@nsc.com)

**National Semiconductor Asia Pacific Technical Support Center**  
 Email: [ap.support@nsc.com](mailto:ap.support@nsc.com)

**National Semiconductor Japan Technical Support Center**  
 Email: [jpn.feedback@nsc.com](mailto:jpn.feedback@nsc.com)