

# LM9011

## Electronic Ignition Interface

### General Description

The LM9011 is an interface circuit which integrates the timing detection and logic control functions required for an automotive electronic ignition system into one device.

A VRS interface is provided for crankshaft position information via a toothed-wheel.

Four voltage comparators are provided for hardware diagnostics.

An electronic timing interface with output fault diagnostics is provided to enable a micro-processor to drive an external four channel ignition spark circuit.

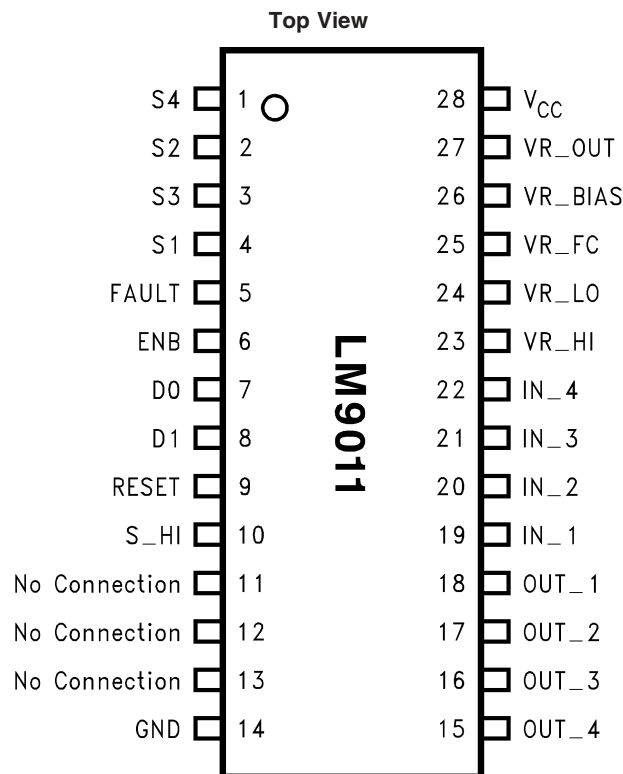
The LM9011 is fully specified over the automotive temperature range of -40°C to +125°C, and is available in a 28 pin Small Outline surface mount package.

### Key Specifications

#### Features

- Single 5V supply operation
- VR Sensor Interface with dynamic hysteresis
- Four Channel Electronic Timing spark driver with output diagnostics
- Electronic Timing Interface spark driver output voltage from 5V to 16V
- One Non-Inverting voltage comparator with hysteresis
- Three Inverting voltage comparators with hysteresis

### Connection Diagram



Ordering Information LM9011M  
See NS Package M28B

10126401

**Absolute Maximum Ratings** (Note 1)

Voltage	-0.3V to +7.0V
S_HI Voltage	-0.3V to 26.5V
VR_HI and VR_LO Inputs	+/-3mA
Comparator Inputs	-0.3V to +7.0V
Timing Interface Inputs	-0.3V to +7.0V
ESD Susceptibility (Note 3)	+/-2000V
Maximum Junction Temperature	150°C
Storage Temperature Range	-65°C to +150°C
Lead Soldering Information:	
Vapor Phase (60 Seconds)	215°C
Infrared (15 Seconds)	220°C

**Operating Ratings** (Note 3)

V <sub>CC</sub> Voltage	4.75V to 5.25V
S_HI Voltage	V <sub>CC</sub> to 26V
Sx Outputs	-0.3V to S_HI +0.3V
Comparator Inputs	-0.3V to V <sub>CC</sub> +0.3V
VR_HI and VR_LO Inputs	+/-2.75mA
Timing Interface Inputs	-0.3V to V <sub>CC</sub> +0.3V
Thermal Resistances (M28B):	
Junction to Case (θJ-C)	15°C/W
Junction to Ambient (θJ-A)	69°C/W

**DC Electrical Characteristics**

The following specifications apply for V<sub>CC</sub> = 5V, V<sub>RESET</sub> = V<sub>CC</sub>, V<sub>S\_HI</sub> = V<sub>CC</sub>, -40°C ≤ T<sub>A</sub> ≤ +125°C, Application Circuit Figure 16, unless otherwise specified.

Symbol	Parameter	Conditions	Minimum	Maximum	Units
I <sub>CC</sub>	Supply Current	RESET, IN <sub>4</sub> = V <sub>CC</sub>		25	mA
		ENB, D0, D1, IN <sub>1</sub> , IN <sub>2</sub> , IN <sub>3</sub> = 0V			
		VR_HI = +12.5μA			
		VR_LO = -12.5μA			

**Comparators**

V <sub>TH1</sub>	Input Threshold	V <sub>IN_1</sub> Decreasing from V <sub>CC</sub> to 0V until V <sub>OUT_1</sub> > V <sub>CC</sub> /2	V <sub>CC</sub> X 0.435	V <sub>CC</sub> X 0.485	V
V <sub>TH2</sub>	Input Threshold	V <sub>IN_2</sub> Decreasing from V <sub>CC</sub> to 0V until V <sub>OUT_2</sub> > V <sub>CC</sub> /2	V <sub>CC</sub> X 0.435	V <sub>CC</sub> X 0.485	V
V <sub>TH3</sub>	Input Threshold	V <sub>IN_3</sub> Decreasing from V <sub>CC</sub> to 0V until V <sub>OUT_3</sub> > V <sub>CC</sub> /2	V <sub>CC</sub> X 0.40	V <sub>CC</sub> X 0.45	V
V <sub>TH4</sub>	Input Threshold	V <sub>IN_4</sub> Decreasing from V <sub>CC</sub> to 0V until V <sub>OUT_4</sub> < V <sub>CC</sub> /2	V <sub>CC</sub> X 0.45	V <sub>CC</sub> X 0.50	V
V <sub>HYST</sub>	Input Hysteresis	All Comparators	150	400	mV
I <sub>BIAS</sub>	Input Bias Current	IN <sub>1</sub> , IN <sub>2</sub> , IN <sub>3</sub> = 0V ≤ V <sub>IN</sub> ≤ V <sub>CC</sub> IN <sub>4</sub> = 0V ≤ V <sub>IN_4</sub> ≤ V <sub>CC</sub> -1V		750	μA
V <sub>OH</sub>	Output High Voltage	I <sub>LOAD</sub> = -100μAV	V <sub>CC</sub> -1		V
V <sub>OL</sub>	Output Low Voltage	I <sub>LOAD</sub> = +100μAV		750	mV

**VR Sensor Interface**

V <sub>OH</sub>	Output High Voltage	I <sub>LOAD</sub> = -15μA VR_HI = -1mA, VR_LO = +1mA	V <sub>CC</sub> -1		V
V <sub>OL</sub>	Output Low Voltage	Load = +15μA VR_HI = +1mA, VR_LO = -1mA		750	mV
I <sub>DIFF(MIN)</sub>	Minimum Detect Differential Input Current (Note 4)	-40°C ≤ T <sub>A</sub> ≤ +25°C	0.5	3.0	uA Pk-Pk
		T <sub>A</sub> = +85°C (Note 5)	0.6	3.5	uA Pk-Pk
		T <sub>A</sub> = +125°C	1.0	5.0	uA Pk-Pk
I <sub>HYS1</sub>	Input Hysteresis (Note 4)	I <sub>DIFF</sub> = 1mA pk-pk	75	250	uA Pk
I <sub>HYS2</sub>	Input Hysteresis (Note 4)	I <sub>DIFF</sub> = 2.5mA pk-pk	185	625	uA Pk

**Electronic Timing Interface**

V <sub>IH</sub>	Input Logic 1 D0, D1, ENB, RESET		V <sub>CC</sub> X 0.7		V
V <sub>IL</sub>	Input Logic 0 D0, D1, ENB, RESET			V <sub>CC</sub> X 0.3	V
I <sub>IH</sub>	Input High Current Inputs D0, D1, RESET	V <sub>IN</sub> = V <sub>CC</sub>		10	μA
I <sub>IH</sub>	Input High Current Input ENB	V <sub>IN</sub> = V <sub>CC</sub>		125	μA

**DC Electrical Characteristics** The following specifications apply for  $V_{CC} = 5V$ ,  $V_{RESET} = V_{CC}$ ,  $V_{S\_HI} = V_{CC}$ ,  $-40^{\circ}C \leq T_A \leq +125^{\circ}C$ , Application Circuit Figure 16, unless otherwise specified. (Continued)

Symbol	Parameter	Conditions	Minimum	Maximum	Units
$I_{IL}$	Input Low Current Inputs D0, D1, ENB	$V_{IN} = 0V$		-10	$\mu A$
$I_{IL}$	Input Low Current Input RESET	$V_{IN} = 0V$		-125	$\mu A$
$V_{OH}$	Output High Voltage Outputs S1, S2, S3, S4	$I_{LOAD} = -10mA$ , $V_{S\_HI} = 5V$	3.75		V
$V_{OL}$	Output Low Voltage Outputs S1, S2, S3, S4	$I_{LOAD} = 1mA$ , $V_{S\_HI} = 5V$		300	mV
$V_{OH}$	Output High Voltage Outputs S1, S2, S3, S4	$I_{LOAD} = -10mA$ , $V_{S\_HI} = 16V$	14		V
$V_{OL}$	Output Low Voltage Outputs S1, S2, S3, S4	$I_{LOAD} = 1mA$ , $V_{S\_HI} = 16V$		450	mV
$V_{OH}$	Output High Voltage Outputs S1, S2, S3, S4	$I_{LOAD} = -10mA$ , $V_{S\_HI} = 26V$	22		V
$V_{OL}$	Output Low Voltage Outputs S1, S2, S3, S4	$I_{LOAD} = 1mA$ , $V_{S\_HI} = 26V$		600	mV
$V_{OH}$	FAULT Pin Output High Voltage	$I_{FAULT} = -100\mu A$ , no fault	$V_{CC} - 1$		V
$V_{OL}$	FAULT Pin Output Low Voltage	$I_{FAULT} = 100\mu A$ , any fault		750	mV
$V_{FAULT}$	Fault Threshold Voltage Outputs S1, S2, S3, S4	Sx Output Short Fault	$V_{CC} \times 0.2$	$V_{CC} \times 0.5$	V
$I_{FOL}$	TRI-STATE Output Current Outputs S1, S2, S3, S4	$V_{RESET} = 0V$ , $V_{S\_HI} = 5V$ $R_{LOAD} = 10K\Omega$	-12	-50	$\mu A$

## AC Electrical Characteristics

The following specifications apply for  $V_{CC} = 5V$ ,  $V_{S\_HI} = V_{CC}$ ,  $V_{RESET} = V_{CC}$ ,  $-40^{\circ}C \leq T_A \leq +125^{\circ}C$ . The AC Timing Characteristics are not production tested. Minimum and Maximum limits are guaranteed by device characterization.

Symbol	Parameter	Conditions	Minimum	Maximum	Units
<b>Comparators</b>					
$T_{RISE}$	Output Rise Time	10% to 90%, $C_{LOAD} = 25pF$		5	$\mu s$
$T_{FALL}$	Output Fall Time	90% to 10%, $C_{LOAD} = 25pF$		5	$\mu s$
<b>VR Sensor Interface (Note 4)</b>					
$T_{RISE}$	Output Rise Time	10% to 90%, $C_{LOAD} = 100pF$ , $R_{LOAD} = 100K\Omega$		10	$\mu s$
$T_{FALL}$	Output Fall Time	90% to 10%, $C_{LOAD} = 100pF$ , $R_{LOAD} = 100k\Omega$		5	$\mu s$
$T_{DELAY}$	Zero Crossing Delay Time (Note 6)	$I_{DIFF} = 5\mu A$ pk-pk, $F_{VRS} = 200Hz$ $I_{DIFF} = 50\mu A$ pk-pk, $F_{VRS} = 2.5KHz$		1	ms
$F_{MAX}$	Maximum VRS Frequency	$C_{LOAD} = 100pF$ , $R_{LOAD} = 100K\Omega$ $I_{DIFF} = 5\mu A$ pk-pk		50	KHz
<b>Electronic Timing Interface</b>					
$T_{RISE1}$	Sx Output Rise Time	Sx Rises 10% to 90%			
		$C_{LOAD} = 6.8nF$ , $R_{LOAD} = 10K\Omega$		5	$\mu s$
		$C_{LOAD} = 12.7nF$ , $R_{LOAD} = 10K\Omega$		8	$\mu s$
$T_{FALL1}$	Sx Output Fall Time	Sx Falls 90% to 10%			
		$C_{LOAD} = 6.8nF$ , $R_{LOAD} = 10K\Omega$		15	$\mu s$
		$C_{LOAD} = 12.7nF$ , $R_{LOAD} = 10K\Omega$		25	$\mu s$
$T_{SETUP}$	Setup Time (Notes 7, 8 and 9)		1		$\mu s$
$T_{HOLD}$	Hold Time		0.5		$\mu s$

## AC Electrical Characteristics (Continued)

The following specifications apply for  $V_{CC} = 5V$ ,  $V_{S\_HI} = V_{CC}$ ,  $V_{RESET} = V_{CC}$ ,  $-40^{\circ}C \leq T_A \leq +125^{\circ}C$ . The AC Timing Characteristics are not production tested. Minimum and Maximum limits are guaranteed by device characterization.

Symbol	Parameter	Conditions	Minimum	Maximum	Units
T <sub>DF1</sub>	Fault Delay Time	Sx Output Short to Ground Fault From ENB = 1 to FAULT ≤ 10%			
		C <sub>FAULT</sub> = 25pF		2	μs
T <sub>DF2</sub>	Fault Delay Time	Sx Output Short to Battery Fault From ENB = 0 to FAULT ≤ 10%			
		C <sub>FAULT</sub> = 25pF		2	μs
T <sub>TRI</sub>	TRI-STATE Delay Time	From RESET = 0 to All Sx Outputs Off		2	μs
T <sub>RISE 2</sub>	Fault Pin Rise Time	10% to 90%, C <sub>FAULT</sub> = 25pF		5	μs
T <sub>FF(OFF)</sub>	False Fault Time	From ENB = 0 to FAULT ≥ 90%			
		C <sub>FAULT</sub> = 25pF			
		C <sub>LOAD</sub> = 6.8nF, R <sub>LOAD</sub> = 10KΩ		25	μs
T <sub>FF(ON)</sub>	False Fault Time	From ENB = 1 to FAULT ≥ 90%			
		C <sub>FAULT</sub> = 25pF			
		C <sub>LOAD</sub> = 6.8nF, R <sub>LOAD</sub> = 10KΩ		8	μs
T <sub>UDF</sub>	Undefined Fault Time	From ENB = 0 for 8uSec, to Valid FAULT			
		C <sub>LOAD</sub> = 6.8nF, R <sub>LOAD</sub> = 10KΩ		20	μs
		C <sub>LOAD</sub> = 12.7nF, R <sub>LOAD</sub> = 10KΩ		25	μs

**Note 1:** Absolute Maximum Ratings indicate the limits beyond which damage may occur.

**Note 2:** ESD Ratings is with Human Body Model: 100pF discharged through a 1500Ω resistor.

**Note 3:** Operating ratings indicate conditions for which the device is intended to be functional, but may not meet the guaranteed specific performance limits. For guaranteed specifications and conditions, see the Electrical Characteristics.

**Note 4:** Tested per VR Sensor Interface test circuit. See *Figure 8* and *Figure 9*.

**Note 5:** Minimum Detect Current is not production tested at +85C. Specifications is guaranteed through device characterization and Test Limits at 25°C and 125°C.

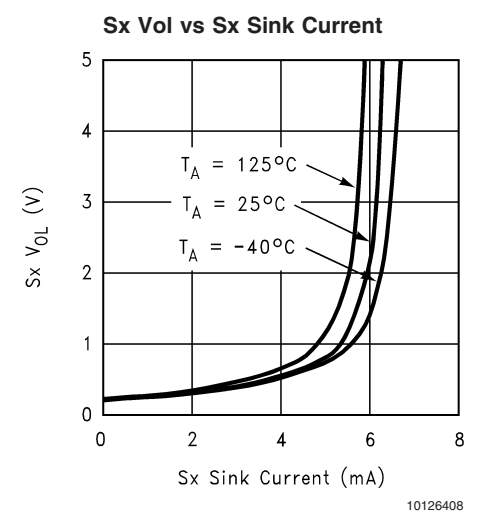
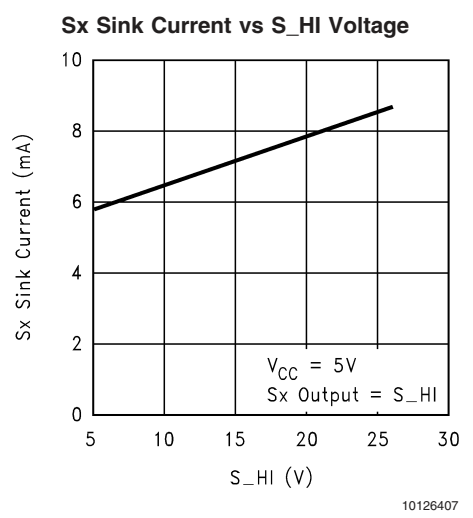
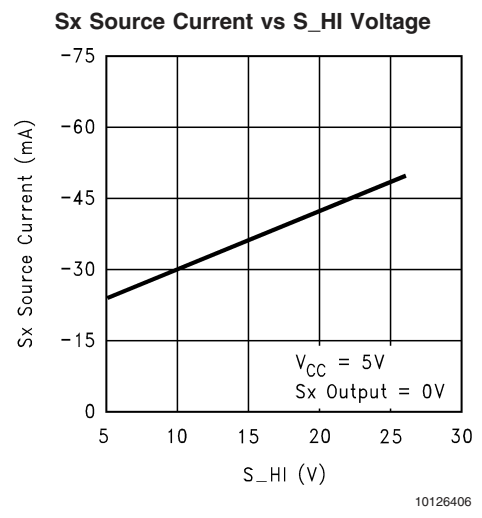
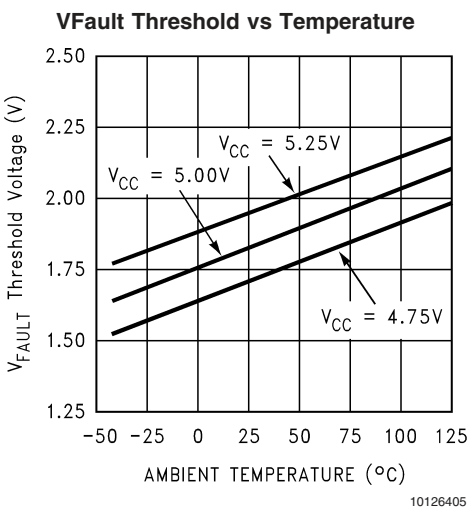
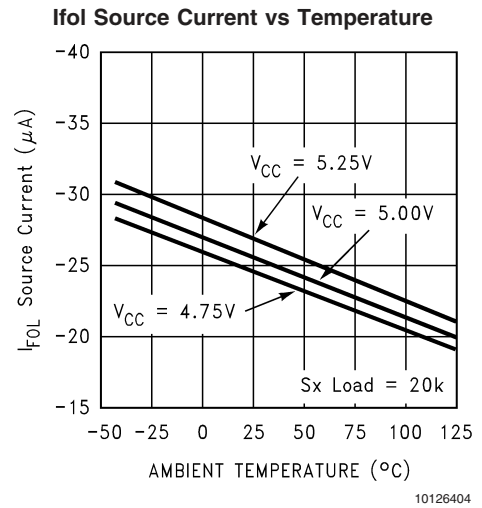
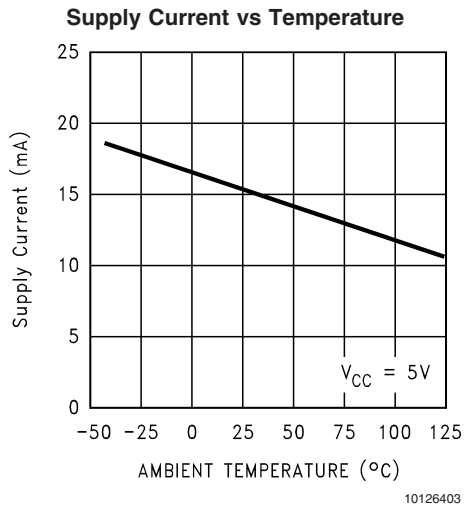
**Note 6:** VR Sensor Interface Tdelay, measured from VR input sine wave zero-crossing to VR\_OUT going high. See *Figure 9*.

**Note 7:** Electronic Timing Interface Tsetup, minimum time between Vcc > 4.75V and RESET = 1.

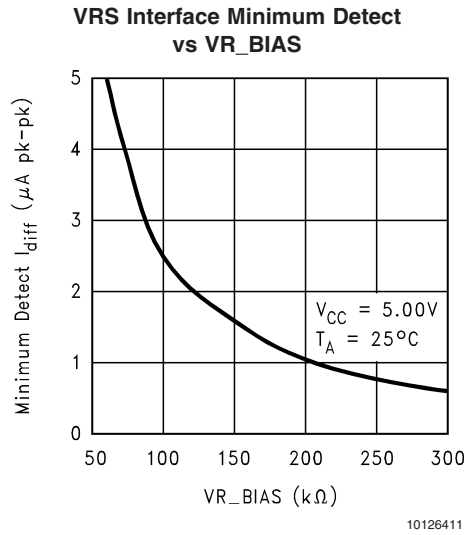
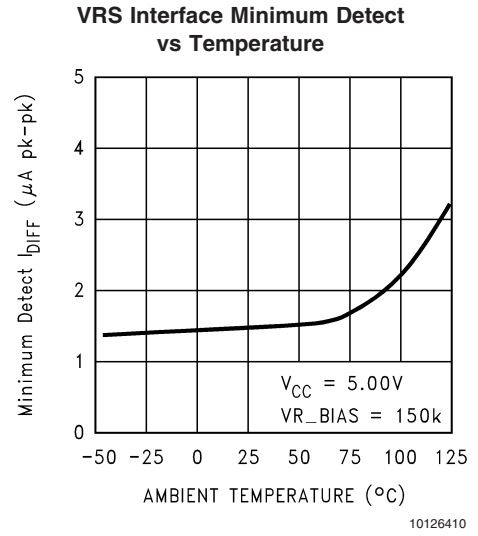
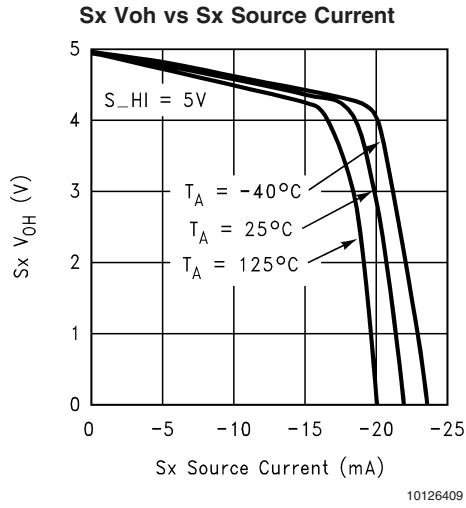
**Note 8:** Electronic Timing Interface Tsetup, minimum time between RESET = 1 and D0 = 1.

**Note 9:** Electronic Timing Interface Tsetup, minimum time between D0 / D1 = valid and ENB = 1.

# Typical Performance Characteristics



Typical Performance Characteristics (Continued)



# Timing Diagrams

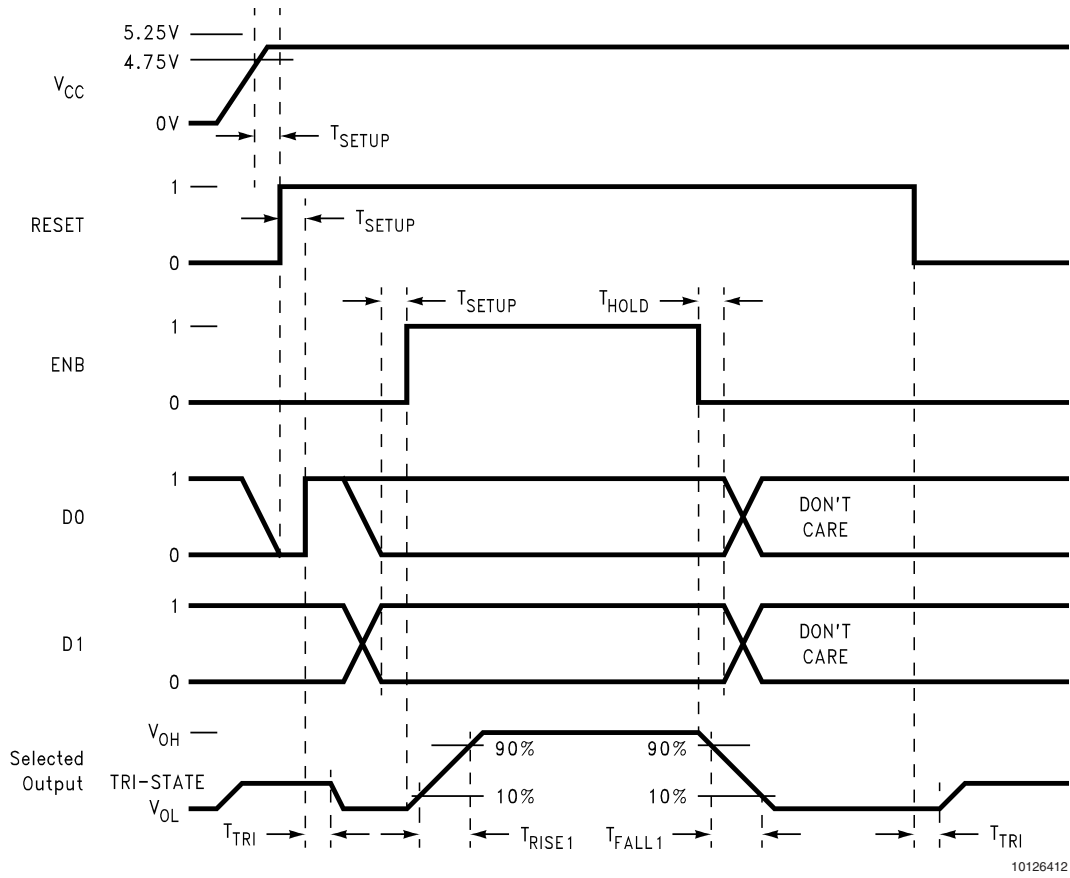


FIGURE 1. Electronic Timing Interface Timing Diagram

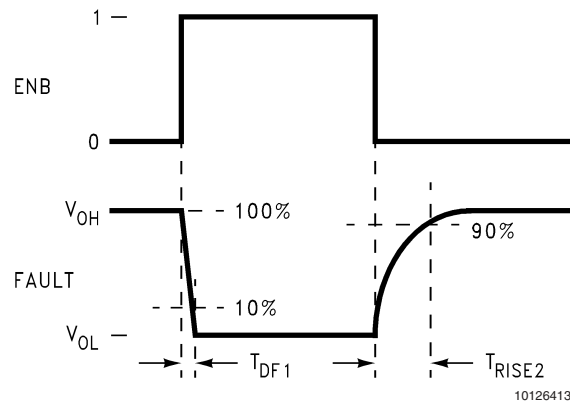


FIGURE 2. Fault Pin Timing During  $S_x$  Shorted to Ground

## Timing Diagrams (Continued)

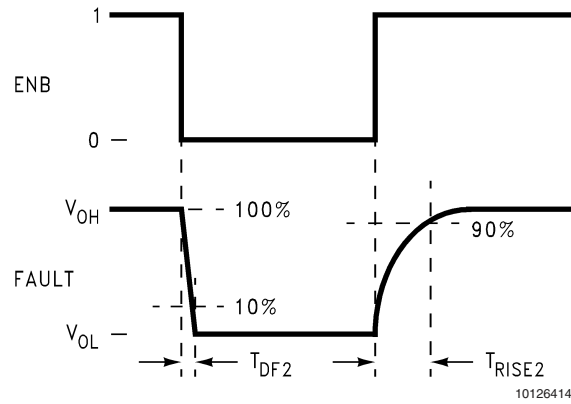


FIGURE 3. Fault Pin Timing During Sx Shorted to Battery

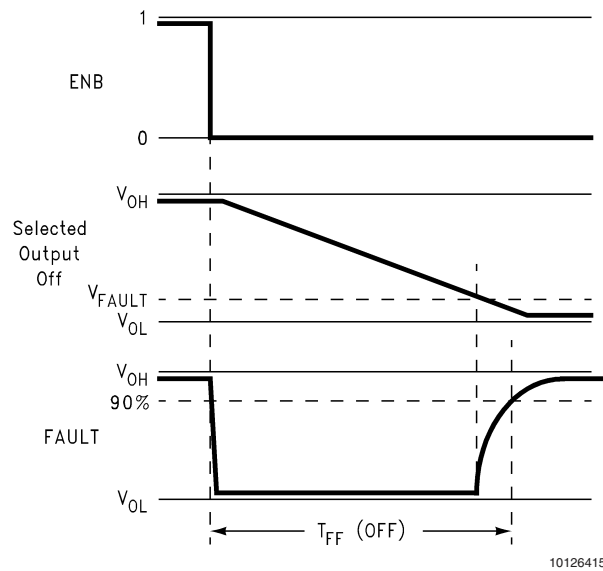
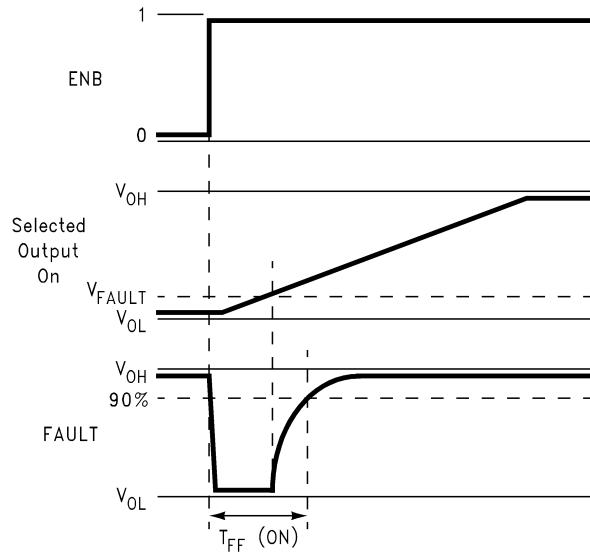


FIGURE 4. False FAULT Time for Disabled Sx Output

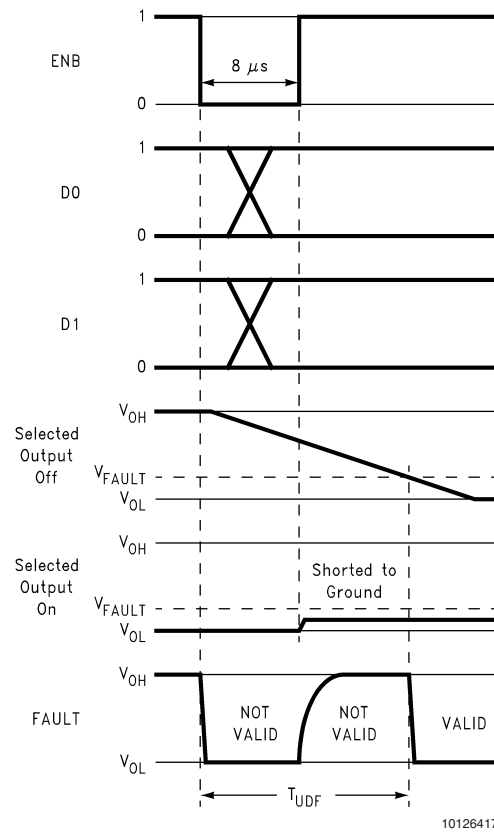


Timing Diagrams (Continued)



10126416

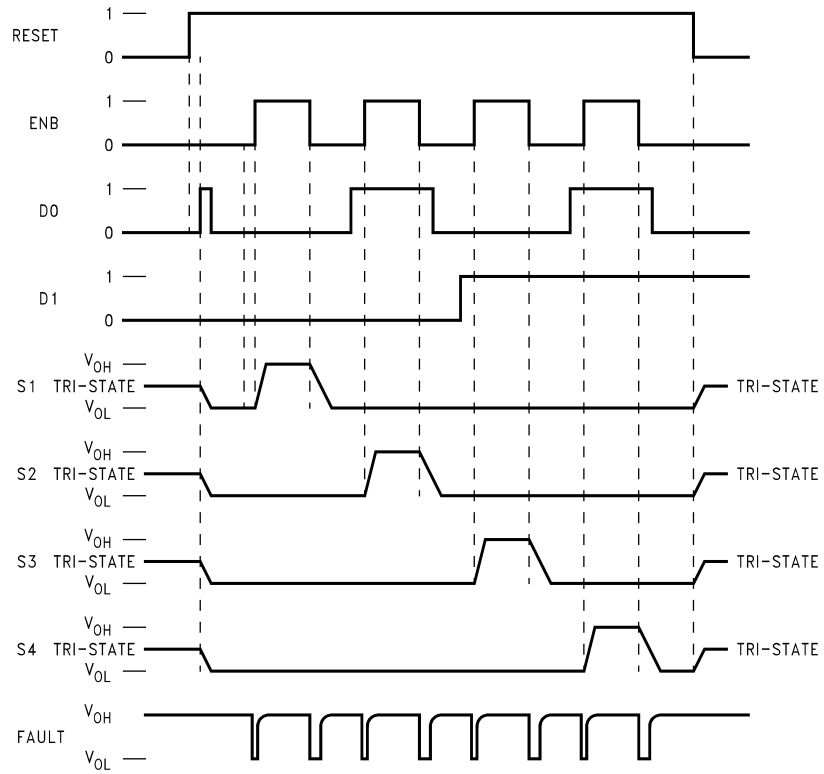
FIGURE 5. False FAULT Time for Enabled Sx Output



10126417

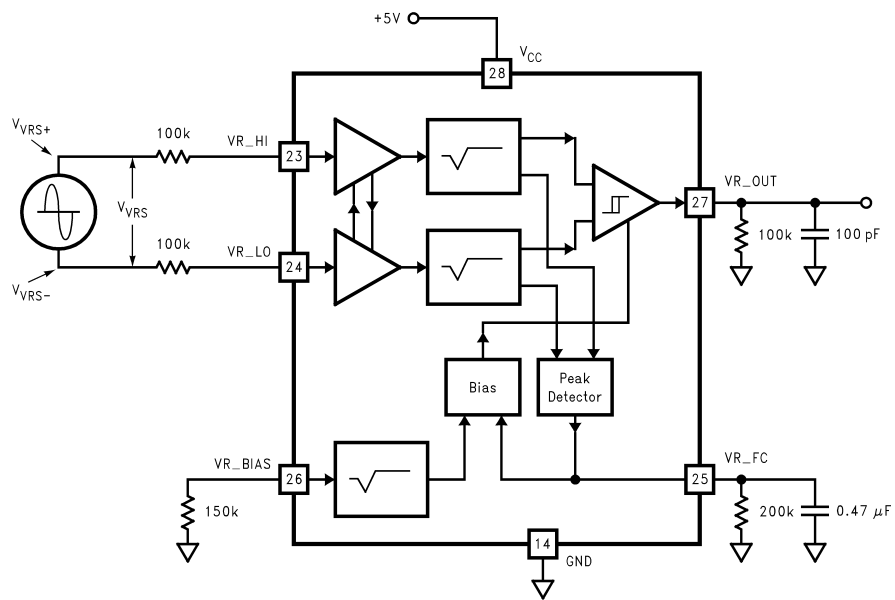
FIGURE 6. Time for Valid Fault Detection

Timing Diagrams (Continued)



10126418

FIGURE 7. Electronic Timing Interface Typical Waveforms



10126419

FIGURE 8. VR Interface Test Circuit

## Timing Diagrams (Continued)

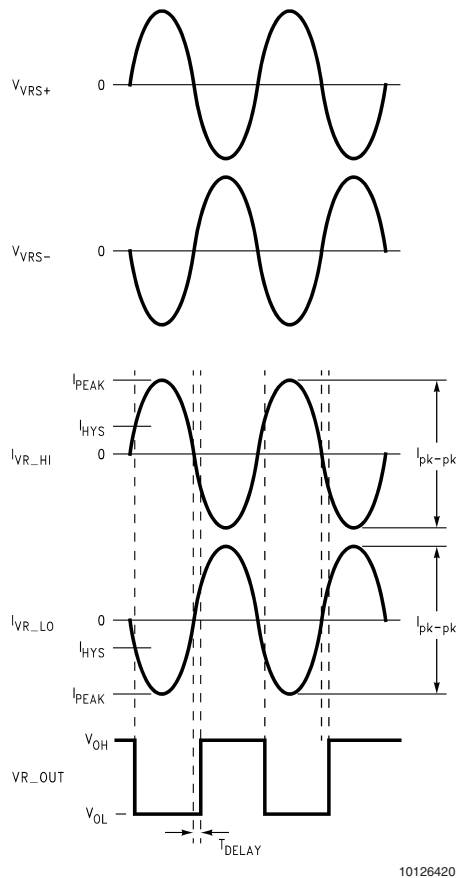


FIGURE 9. VR Interface Timing Diagram

## Circuit Description

### VR SENSOR INTERFACE

The differential inputs,  $VR\_HI$  and  $VR\_LO$  are low impedance inputs with a DC voltage bias of one half of  $V_{CC}$ . Both inputs require equal value series resistance on their respective pins to convert the VR sensor voltage to a differential input current. The differential input current range is typically  $2.5\mu A$  peak-to-peak to  $2.5mA$  peak-to-peak. Each input has active current limiting that will clamp the current at typically  $\pm 5mA$ . This is intended for short circuit protection and not for input signal limiting.

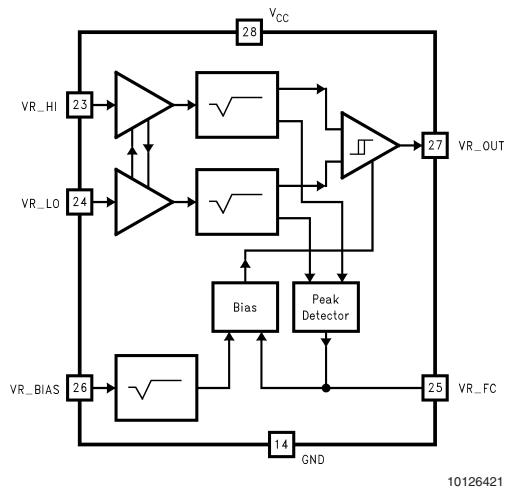


FIGURE 10. VR Sensor Interface Block Diagram

Differential voltages of  $500mV$  peak-to-peak to  $500V$  peak-to-peak can be processed with the specified  $100K\Omega$  series resistor on each input. Numerous variables will determine the output voltage signal from a VR sensor across a frequency range. The input resistors can be scaled from typically  $50K\Omega$  to  $200K\Omega$  to keep the differential input current within the recommended range for a given VR Sensor output voltage. Bypass capacitors can be added to form a low pass filter to limit the differential input signal at the higher frequencies.

The VR Sensor interface utilizes a dynamic hysteresis which will increase the hysteresis level as the input signal from the VR Sensor increases. The circuit requires two external components to fully implement the hysteresis function: a capacitor on  $VR\_FC$  to filter and store the peak detector signals; and a  $150K\Omega$  resistor on  $VR\_BIAS$  to set a reference current for the hysteresis circuit. The typical value range for the peak detector storage capacitor is  $0.1\mu F$  to  $0.47\mu F$ .

The peak detector has an internal  $3K\Omega$  (typical) current limiting resistor to  $V_{CC}$  for charging the storage capacitor. An external resistor in parallel with the peak detector storage capacitor is used to set the RC discharge rate of the peak detector capacitor.

For input levels greater than typically  $10\mu A$  peak-to-peak the voltage on the peak detector output pin  $VR\_FC$  is used to actively derive the hysteresis level. The active hysteresis will typically be 30% of the peak input signal. As the input level falls below typically  $10\mu A$  peak-to-peak the hysteresis level will begin to rise as the static hysteresis level takes effect. The static hysteresis level is set by the current out of the  $VR\_BIAS$  pin and is a constant level of typically  $1\mu A$  peak with a  $VR\_BIAS$  resistor of  $150K\Omega$ . This static hysteresis level acts as the minimum detect threshold as there will be no output if the input signal is not greater than the static hysteresis level.

The  $VR\_BIAS$  resistor can be scaled from typically  $50K\Omega$  to  $500K\Omega$ , but the practical range is typically  $75K\Omega$  to  $300K\Omega$ . Increasing the resistance (i.e. reducing the current) will lower the minimum hysteresis level. Conversely, reducing the resistance will raise the minimum hysteresis level. Since the  $VR\_BIAS$  current is modified by the same square root circuit used for the input signal, the relationship between the  $VR\_BIAS$  resistor value and the minimum detect level is not

### Circuit Description (Continued)

linear. For VR\_BIAS values greater than 500KΩ, the minimum detect level is typically determined more by the internal device offsets, and thermal effects.

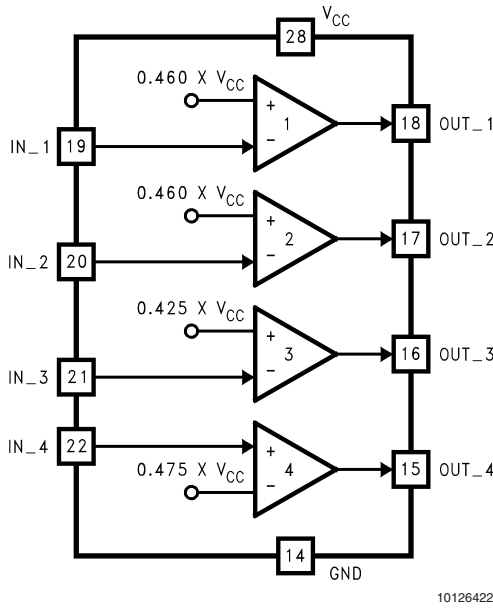


FIGURE 11. Voltage Comparator Block Diagram

### VOLTAGE COMPARATORS

The circuit includes four general purpose voltage comparators that use an internal reference voltage to set their voltage thresholds. Three of the comparators have their non-inverting inputs tied to the internal reference voltage, and

their inverting-inputs are brought out. The remaining one comparator has its inverting input tied to the internal voltage reference, and its non-inverting input is brought out. All four comparators include hysteresis to improve noise immunity. The comparator outputs are internally pulled up to V<sub>CC</sub>. Any un-used comparator should have its input connected to device ground.

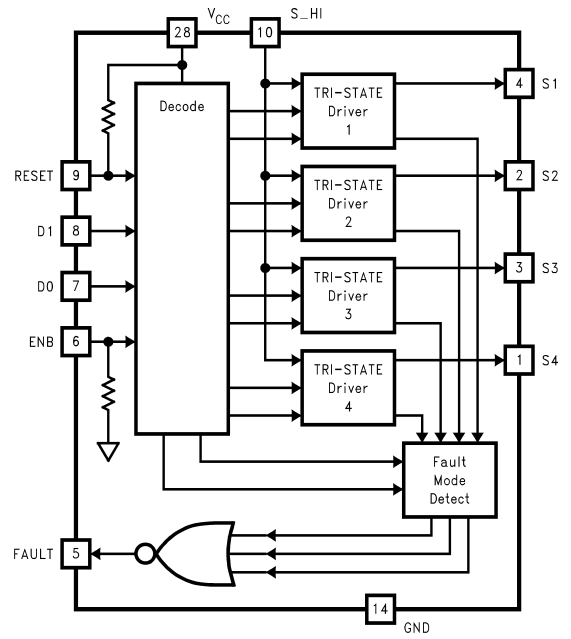


FIGURE 12. Electronic Timing Interface Block Diagram

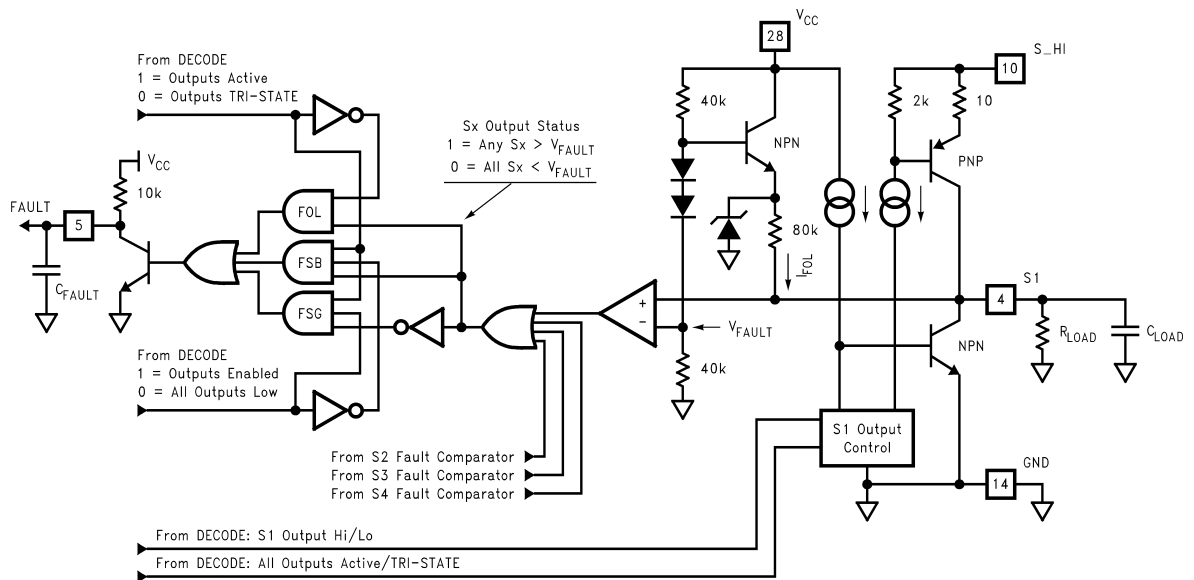


FIGURE 13. Output Fault Detection Block Diagram

## Circuit Description (Continued)

### Electronic Timing Interface

Inputs				Output			
RESET	ENB	D0	D1	S1	S2	S3	S4
0	X	X	X	Tri	Tri	Tri	Tri
1	0	X	X	L	L	L	L
1	1	0	0	H	L	L	L
1	1	1	0	L	H	L	L
1	1	0	1	L	L	H	L
1	1	1	1	L	L	L	H

**FIGURE 14. Truth Table for Electronic Timing Interface**

The Electronic Timing Interface provide signals to the spark module from the micro-processor. The interface requires four input data signals, and provides four output control channels.

The interface also provides one output channel for diagnostic information for any open or shorted loads on S1 to S4. The RESET pin has an internal pull-up resistor to  $V_{CC}$  of typically 100K $\Omega$ , and the ENB pin has an internal pull-down resistor to ground of typically 100K $\Omega$ .

To put the outputs into the TRI-STATE mode at power-on, the RESET pin should be held low until  $V_{CC}$  is above 4.75V. This can be accomplished by micro-processor control, or by adding a capacitor from the RESET pin to ground.

The RESET pin is used to disable the spark driver outputs by putting them in a TRI-STATE mode. While in the TRI-STATE mode the Open Output Fault detection circuitry is active. An open Output is detected by forcing a small current ( $I_{FOL}$ ) through the outputs to the loads, and monitoring the voltage on the output pins rises above the Output Fault Threshold Voltage ( $V_{FAULT}$ ) the FAULT pin will be forced low. The intent is to detect an open wire condition, and not necessarily to detect a local resistance threshold.

Note that if any output has a Short to battery fault, the fault pin will go low during this TRI-STATE mode. The internal comparator is unable to discern why an output pin may be above the Fault Threshold Voltage, only that it is. In any case, a fault is reported, even if it is not the anticipated fault.

The TRI-STATE mode is a latched condition. For the outputs to come out of the TRI-STATE mode, the RESET pin must be high, and then the data input pin D0 must toggle from a low state to a high state. The state of the outputs will now be set by the data inputs D0 and D1, and the ENB input. If ENB is low when the TRI-STATE mode is cleared, all of the outputs will go low.

Pins D0 and D1 are used select an output, and ENB will enable the selected output. The outputs have active pull up to S\_HI, and the active pull down to Ground. The default not enabled output conditions is low, and the enabled output condition is high. Only one output can be enabled (high) at a time. The outputs are not latched in any state and will follow the input selected with D0 and D1 as long as ENB is high.

The detection of an output shorted to ground, or battery, is dependent on the status of ENB. While ENB is logical 0, all of the outputs are forced low and the Short to Battery fault detection circuitry is active. A Short to Battery is detected by monitoring the voltage on the output pins. If the voltage on any output pin is above the Fault Threshold Voltage ( $V_{FAULT}$ ) the FAULT pin will go low. The output current sink is limited to typically 8mA. The short to battery condition must be able to provide enough current to overcome the current limit and raise the output pin voltage above the  $V_{FAULT}$  threshold.

When ENB is logical 1, the selected output will be high and the Short to Ground detection circuitry is active. A Short to Ground is detected by monitoring the voltage on the output pins. If the voltage on the selected output pin is below the Fault Threshold Voltage ( $V_{FAULT}$ ) the FAULT pin will go low. The output current source is from S\_HI limited to typically 25mA to 50mA across the S\_HI voltage range. The short to ground condition must be allow enough resistance to allow the output pin voltage to fall below the  $V_{FAULT}$  threshold with the output sourcing short circuit current. Typically, a short to ground which has 100 Ohms of resistance, or more, can not be reliably detected. Typically, a short to ground of 20 Ohms, or less, can be reliably detected across the entire S\_HI voltage range and device operating temperature range. Note that if any output has a Short to Battery fault, a Short to

## Circuit Description (Continued)

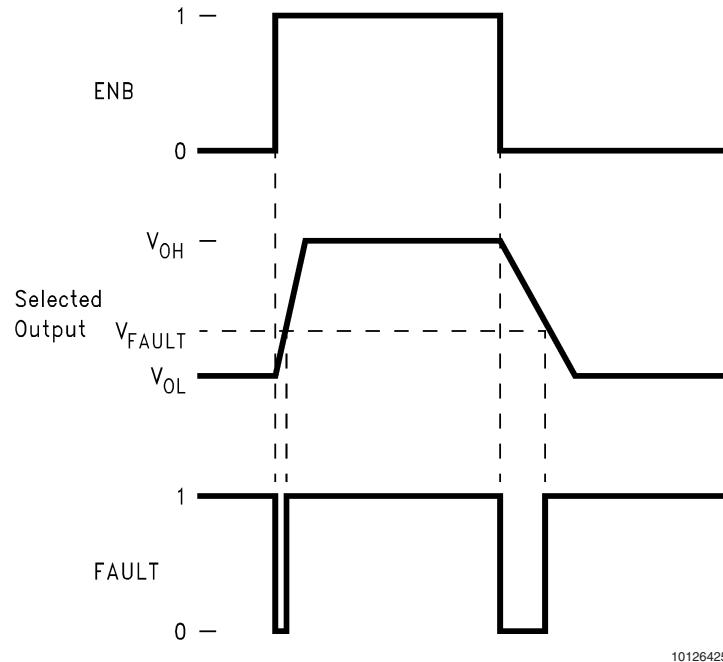


FIGURE 15. FAULT Pin Output During Normal Operation

Ground cannot be detected. The internal logic is unable to discern which output pin is above the Fault Threshold Voltage, only that a pin is. Thus, the logical requirement of an Sx pin voltage above the Fault Threshold voltage is met and no fault is reported.

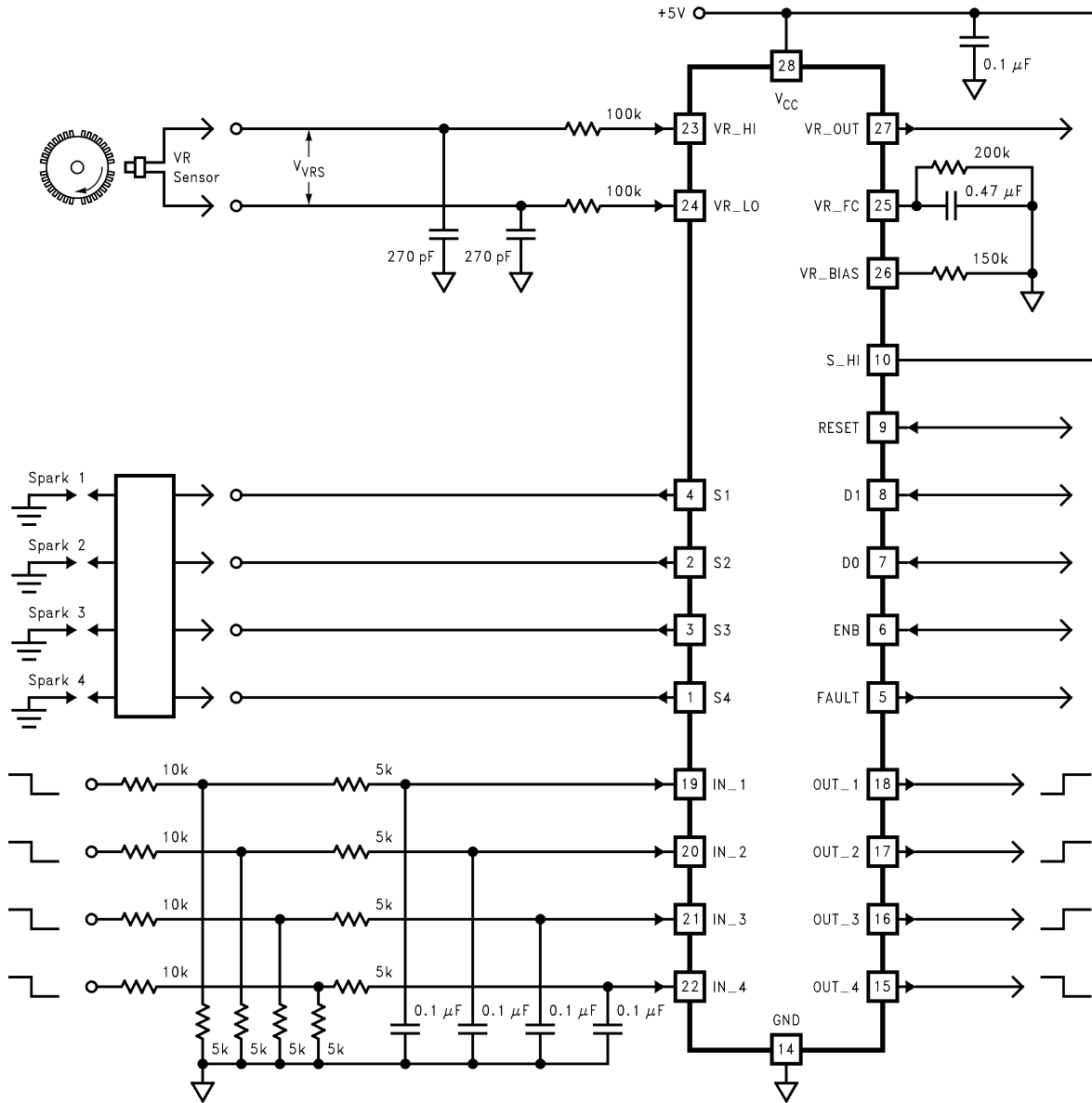
The output rise and fall times are basically a function of the output current drive (source and sink) and the output load characteristics. Due to the scaling of the output stages, and variations in the value of S\_HI, the fall time will typically be two to ten times longer than the rise time for a given capacitive load.

Since the output fault detection mode changes immediately with the status of the ENB pin, and the voltage on the output

pin cannot change instantly, the FAULT pin will go low during the output transition times. The FAULT pin will stay low until the output voltage rises above, or falls below, the active fault threshold. See *Figure 15*.

When switching the outputs from the active mode to the TRI-STATE mode the ENB should be taken low first. This will take all of the outputs low. Then the RESET pin can be taken low. This will eliminate false 'open' faults that will be generated while waiting for the one output that was high, to discharge any capacitance below the  $V_{FAULT}$  threshold.

Circuit Description (Continued)

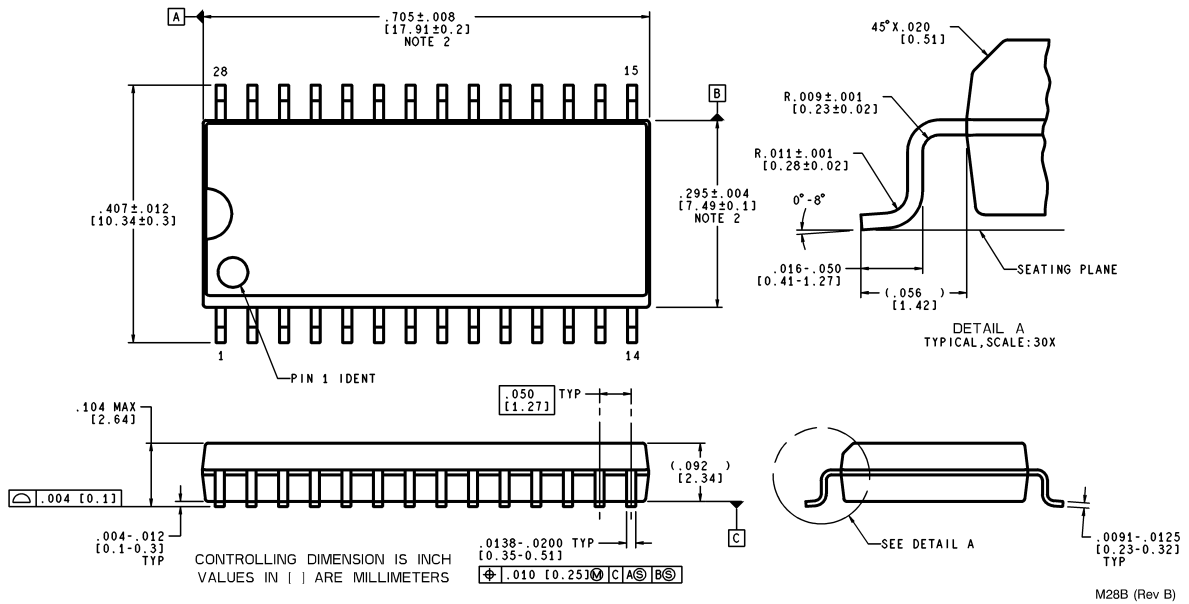


10126426

FIGURE 16. Typical Application

## Physical Dimensions inches (millimeters)

unless otherwise noted



**Note:** Unless otherwise specified.

- STANDARD LEAD FINISH TO BE 200 MICRONS / 5.08 MICROMETERS MINIMUM LEAD / TIN (SOLDER) ON COPPER.
- DIMENSION DOES NOT INCLUDE MOLD FLASH.
- REFERENCE JEDEC REGISTRATION MS-013, VARIATION AE, DATED MAY 1990.

### 28-LEAD MOLDED PLASTIC SMALL OUTLINE PACKAGE NS Package Number M28B

#### LIFE SUPPORT POLICY

NATIONAL'S PRODUCTS ARE NOT AUTHORIZED FOR USE AS CRITICAL COMPONENTS IN LIFE SUPPORT DEVICES OR SYSTEMS WITHOUT THE EXPRESS WRITTEN APPROVAL OF THE PRESIDENT AND GENERAL COUNSEL OF NATIONAL SEMICONDUCTOR CORPORATION. As used herein:

- Life support devices or systems are devices or systems which, (a) are intended for surgical implant into the body, or (b) support or sustain life, and whose failure to perform when properly used in accordance with instructions for use provided in the labeling, can be reasonably expected to result in a significant injury to the user.
- A critical component is any component of a life support device or system whose failure to perform can be reasonably expected to cause the failure of the life support device or system, or to affect its safety or effectiveness.



**National Semiconductor**  
Americas Customer  
Support Center  
Email: new.feedback@nsc.com  
Tel: 1-800-272-9959

www.national.com

**National Semiconductor**  
Europe Customer Support Center  
Fax: +49 (0) 180-530 85 86  
Email: europe.support@nsc.com  
Deutsch Tel: +49 (0) 69 9508 6208  
English Tel: +44 (0) 870 24 0 2171  
Français Tel: +33 (0) 1 41 91 8790

**National Semiconductor**  
Asia Pacific Customer  
Support Center  
Fax: +65-6250 4466  
Email: ap.support@nsc.com  
Tel: +65-6254 4466

**National Semiconductor**  
Japan Customer Support Center  
Fax: 81-3-5639-7507  
Email: jpn.feedback@nsc.com  
Tel: 81-3-5639-7560