

DESCRIPTION

The SX8724S is a data acquisition system based on Semtech's low power ZoomingADC™ technology. It directly connects most types of miniature sensors with a general purpose microcontroller.

With 3 differential inputs, it can adapt to multiple sensor systems. Its digital outputs are used to bias or reset the sensing elements.

APPLICATIONS

- Industrial pressure sensing
- Industrial temperature sensing
- Industrial chemical sensing
- Barometer
- Compass

FEATURES

- Up to 16-bit differential data acquisition
- Programmable gain: (1/12 to 1000)
- Sensor offset compensation up to 15 times full scale of input signal
- 3 differential or 6 single-ended signal inputs
- Programmable Resolution versus Speed versus Supply current
- Digital outputs to bias Sensors
- Internal or external voltage reference
- Internal time base
- Low-power (250 uA for 16b @ 250 S/s)
- SPI interface, 2 Mbps serial clock

ORDERING INFORMATION

DEVICE	PACKAGE	REEL QUANTITY
SX8724SWLTD	MLPQ-W-16 4x4	1000

- Available in tape and reel only
- WEEE/RoHS compliant, Pb-Free and Halogen Free.

FUNCTIONAL BLOC DIAGRAM

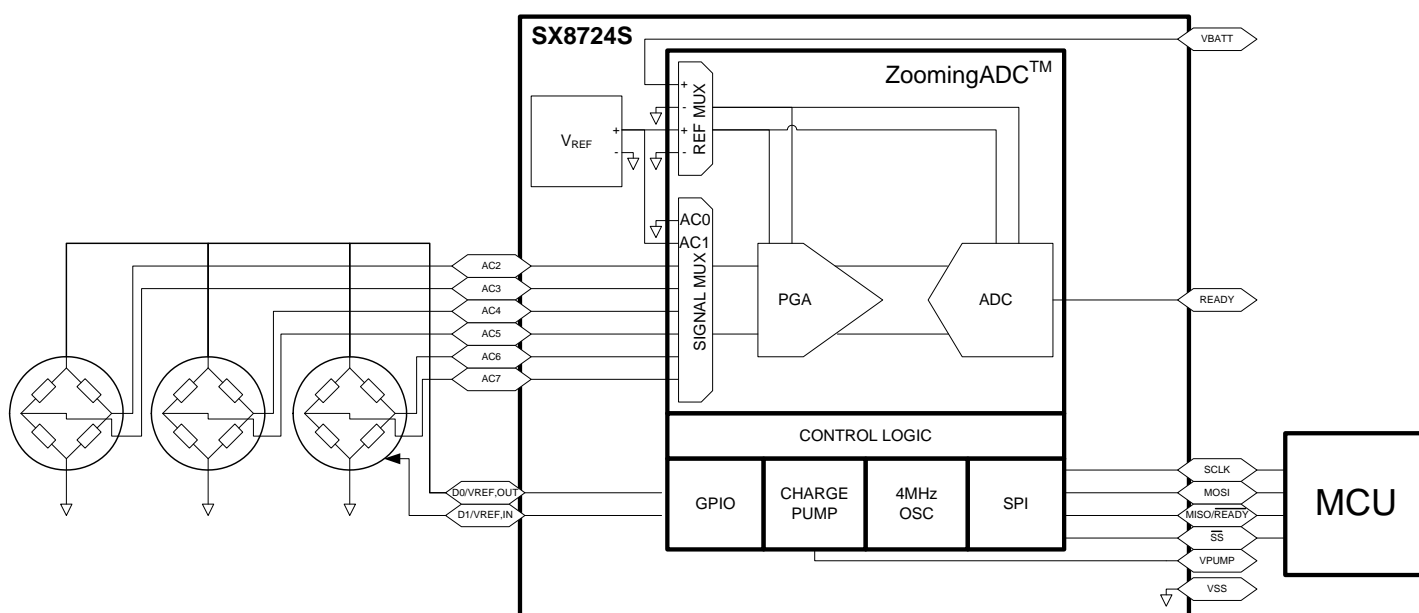


TABLE OF CONTENT

Section	Page
ELECTRICAL SPECIFICATIONS	4
1 Absolute Maximum Ratings	4
2 Operating Conditions	5
2.1 Timing Characteristics	9
2.1.1 POR Timings	9
2.1.2 SPI interface timings	10
2.1.3 SPI timing diagram	10
CIRCUIT DESCRIPTION	11
3 Pin Configuration	11
4 Marking Information	11
5 Pin Description	12
6 General Description	13
6.1 Bloc diagram	13
6.2 VREF	13
6.3 GPIO	13
6.3.1 Optional Operating Mode: External Vref	15
6.4 Charge Pump	16
6.5 RC Oscillator	16
6.5.1 Wake-up from sleep	16
7 ZoomingADC	17
7.1 Overview	17
7.1.1 Acquisition Chain	17
7.1.2 Programmable Gain Amplifiers	18
7.1.3 PGA & ADC Enabling	19
7.2 ZoomingADC Registers	19
7.3 Input Multiplexers (AMUX and VMUX)	20
7.4 First Stage Programmable Gain Amplifier (PGA1)	21
7.5 Second Stage Programmable Gain Amplifier (PGA2)	22
7.6 Third Stage Programmable Gain Amplifier (PGA3)	22
7.7 Analog-to-Digital Converter (ADC)	25
7.7.1 Conversion Sequence	25
7.7.2 Over-Sampling Frequency (fs)	26
7.7.3 Over-Sampling Ratio (OSR)	26
7.7.4 Number of Elementary Conversions (Nelconv)	26
7.7.5 Resolution	27
7.7.6 Conversion Time & Throughput	28
7.7.7 Continuous-Time vs. On-Request Conversion	29
7.7.8 Output Code Format	30
7.7.9 Power Saving Modes	32
8 Application hints	33
8.1 Power Reduction	33
8.2 Gain Configuration Flow	34
9 SPI interface	35
9.1 Overview	35
9.2 Data transmission	36
9.2.1 Write a single register	36

TABLE OF CONTENT

Section	Page	
9.2.2	Read a single register	36
9.2.3	Multiple Bytes Write/Read Protocol	37
9.3	ADC Samples Reading	38
9.3.1	SAMPLE SHIFT Mode	39
9.3.2	COMBINED DATA READY Mode	39
9.4	Chip Start Detection with Slave Select Pin	42
9.5	Improving Noise Immunity	43
10	Register Memory Map and Description	44
10.1	Register Map	44
10.2	Registers Descriptions	44
10.2.1	RC Register	45
10.2.2	GPIO Registers	45
10.2.3	Software reset register	46
10.2.4	ZADC Registers	46
10.2.5	Mode Registers	48
11	Typical Performances	49
11.1	Input impedance	49
11.1.1	Switched Capacitor Principle	50
11.2	Frequency Response	52
11.3	Linearity	54
11.3.1	Integral Non-Linearity	54
11.3.2	Differential Non-Linearity	57
11.4	Noise	57
11.5	Gain Error and Offset Error	60
11.6	Power Consumption	61
FAMILY OVERVIEW		63
12	Comparison Table	63
13	Comparison by package pinout	64
MECHANICAL		65
14	PCB Layout Considerations	65
15	How to Evaluate	65
16	Package Outline Drawing: MLPQ-W16-4x4-EP1	66
17	Land Pattern Drawing: MLPQ-W16-4x4-EP1	67
18	Tape and Reel Specification	68

ELECTRICAL SPECIFICATIONS
1 Absolute Maximum Ratings

Note The Absolute Maximum Ratings, in table below, are stress ratings only. Functional operation of the device at conditions other than those indicated in the Operating Conditions sections of this specification is not implied.
Exposure to the absolute maximum ratings, where different to the operating conditions, for an extended period may reduce the reliability or useful lifetime of the product.

Table 1. Absolute Maximum Ratings

Parameter	Symbol	Condition	Min	Max	Units
Power supply	VBATT		V _{SS} - 0.3	6.5	V
Storage temperature	T _{STORE}		-55	150	°C
Temperature under bias	T _{BIAS}		-40	140	°C
Input voltage	V _{INABS}	All inputs	V _{SS} - 300	VBATT + 300	mV
Peak reflow temperature	T _{PKG}			260	°C
ESD conditions	ESDHBM	Human Body Model ESD	2000		V
Latchup			100		mA

2 Operating Conditions

Unless otherwise specified: $V_{REF,ADC} = V_{BATT}$, $V_{IN} = 0V$, Over-sampling frequency $f_s = 250$ kHz, $PGA3$ on with $Gain = 1$, $PGA1$ & $PGA2$ off, offsets $GDOff2 = GDOff3 = 0$. Power operation: normal ($I_{bAmpAdc}[1:0] = I_{bAmpPga}[1:0] = '01'$).

For resolution $n = 12$ bits: $OSR = 32$ and $NELCONV = 4$.

For resolution $n = 16$ bits: $OSR = 256$ and $NELCONV = 2$.

Bandgap chopped at $NELCONV$ rate. If $V_{BATT} < 3V$, Charge Pump is forced on. If $V_{BATT} > 3V$, Charge Pump is forced off.

Table 2. Operating conditions limits

Parameter	Symbol	Comment/Condition	Min	Typ	Max	Unit
Power supply	V_{BATT}		2.4		5.5	V
Operating temperature	T_{OP}		-40		125	°C

Table 3. Electrical Characteristics

Parameter	Symbol	Comment/Condition	Min	Typ	Max	Unit
CURRENT CONSUMPTION¹						
Active current, 5.5V	IOP55	16 b @ 250 Sample/s ADC, $f_s = 125$ kHz		250	300	μA
		16 b @ 1kSample/s PGA3 + ADC, $f_s = 500$ kHz		650	850	
		16 b + gain 1000 @ 1kSample/s PGA3,2,1 + ADC, $f_s = 500$ kHz		1000	1250	
Active current, 3.3V	IOP33	16 b @ 250 Sample/s ADC, $f_s = 125$ kHz		150		μA
		16 b @ 1kSample/s PGA3 + ADC, $f_s = 500$ kHz		500		
		16 b + gain 1000 @ 1kSample/s PGA3,2,1 + ADC, $f_s = 500$ kHz		830		
Sleep current	ISLEEP	@25°C		150	250	nA
		up to 85°C		200		
		@125°C		250		
TIME BASE						
Max ADC Over-Sampling frequency	f_{smax}	@25°C	425	500	575	kHz
ADC Over-Sampling frequency drift	f_{ST}			0.15		% / °C
DIGITAL I/O						
Input logic high	V_{IH}		0.7			V_{BATT}
Input logic low	V_{IL}				0.3	V_{BATT}
Output logic high	V_{OH}	$I_{OH} < 4$ mA			$V_{BATT}-0.4$	V
Output logic low	V_{OL}	$I_{OL} < 4$ mA	0.4			V
Leakages currents						

Table 3. Electrical Characteristics

Parameter	Symbol	Comment/Condition	Min	Typ	Max	Unit
Input leakage current	I_{LeakIn}	Digital input mode, no pull-up or pull-down	-100		100	nA
VREF: Internal Bandgap Reference						
Absolute output voltage	VBG	$V_{BATT} > 3V$	1.19	1.22	1.25	V
Variation over Temperature	VBG _T	$V_{BATT} > 3V$, over Temperature	-1.5		+1.5	%
Total Output Noise	VBG _N	$V_{BATT} > 3V$			1	mV _{rms}

- The device can be operated in either active or sleep states. The Sleep state is complete shutdown, but the active state can have a variety of different current consumptions depending on the settings. Some examples are given here: The Sleep state is the default state after power-on-reset. The chip can then be placed into an active state after a valid I2C communication is received.

Table 4. ZoomingADC Specifications

Parameter	Symbol	Condition	Min	Typ	Max	Unit
ANALOG INPUT CHARACTERISTICS						
Differential Input Voltage Range $V_{IN} = V_{INP} - V_{INN}$		Gain=1, OSR=32, $V_{REF}=5V$. Note 1	-2.42		+2.42	V
		Gain=100, OSR=32, $V_{REF}=5V$	-24.2		+24.2	mV
		Gain=1000, OSR=32, $V_{REF}=5V$	-2.42		+2.42	mV
PROGRAMMABLE GAIN AMPLIFIER						
Total PGA Gain	GDTOT	Note 1	1/12		1000	V/V
PGA1 Gain	GD1	(see Table 10, page 22)	1		10	V/V
PGA2 Gain	GD2	(see Table 11, page 22)	1		10	V/V
PGA3 Gain	GD3	Step = 1/12 V/V (see Table 12, page 22)	1/12		127/12	V/V
Gain Settings Precision (each stage)		Gain ≥ 1	-3	± 0.5	+3	%
Gain Temperature Dependence				± 5		ppm / °C
PGA2 Offset	GDOFF2	Step = 0.2 V/V (see Table 11, page 22)	-1		+1	V/V
PGA3 Offset	GDOFF3	Step = 1/12 V/V (see Table 12, page 22)	-63/12		+63/12	V/V
Offset Settings Precision (PGA2 or PGA3)		Note 2	-3	± 0.5	+3	%
Offset Temperature Dependence				± 5		ppm / °C
Input Impedance on ADC	ZINADC		500			k Ω
Input Impedance on PGA1 (see section 11.1, page 49)	ZINPGA1	Gain = 1. Note 3	900	1150		k Ω
		Gain = 10. Note 3	250	350		k Ω
Input Impedance on PGA2	ZINPGA2	Gain = 1. Note 3	500	1000		k Ω
		Gain = 10. Note 3	125	270		k Ω
Input Impedance on PGA3	ZINPGA3	Gain = 1. Note 3	500	780		k Ω
		Gain = 10. Note 3	125	190		k Ω

Table 4. ZoomingADC Specifications

Parameter	Symbol	Condition	Min	Typ	Max	Unit
Output RMS Noise per over-sample		PGA1. Note 4		205		μV
		PGA2. Note 4		340		μV
		PGA3. Note 4		365		μV
ADC STATIC PERFORMANCES						
Resolution (No Missing Codes)	n	Note 5 Note 6	6		16	Bits
Gain Error		Note 7		±0.15		%
Offset Error		n = 16 bits. Note 8		±1		LSB
Integral Non-Linearity	INL	resolution n = 12 bits. Note 9		±0.6		LSB
		resolution n = 16 bits. Note 9		±1.5		LSB
Differential Non-Linearity	DNL	resolution n = 12 bits. Note 10		±0.5		LSB
		resolution n = 16 bits. Note 10		±0.5		LSB
Power Supply Rejection Ratio DC	PSRR	VBATT = 5V +/- 0.3V. Note 11		78		dB
		VBATT = 3V +/- 0.3V. Note 11		72		dB
ADC DYNAMIC PERFORMANCES						
Conversion Time	T _{CONV}	n = 12 bits. Note 12		133		fs cycles
		n = 16 bits. Note 12		517		fs cycles
Throughput Rate (Continuous Mode)	1/T _{CONV}	n = 12 bits, fs = 250 kHz		1.88		kSps
		n = 16 bits, fs = 250 kHz		0.483		kSps
PGA Stabilization Delay		Note 13 (see Table 11, page 22)		OSR		fs cycles
ZADC ANALOG QUIESCENT CURRENT						
ADC Only Consumption	I _Q	VBATT = 5.5V/3.3V		285/210		μA
PGA1 Consumption		VBATT = 5.5V/3.3V		104/80		μA
PGA2 Consumption		VBATT = 5.5V/3.3V		67/59		μA
PGA3 Consumption		VBATT = 5.5V/3.3V		98/91		μA
ANALOG POWER DISSIPATION: All PGAs & ADC Active						
Normal Power Mode		VBATT = 5.5V/3.3V. Note 14		4.0/2.0		mW
3/4 Power Reduction Mode		VBATT = 5.5V/3.3V. Note 15		3.2/1.6		mW
1/2 Power Reduction Mode		VBATT = 5.5V/3.3V. Note 16		2.4/1.1		mW
1/4 Power Reduction Mode		VBATT = 5.5V/3.3V. Note 17		1.5/0.7		mW

- (1) Gain defined as overall PGA gain $G_{TOT} = G_{D1} \times G_{D2} \times G_{D3}$. Maximum input voltage is given by: $V_{IN,MAX} = \pm(V_{REF} / 2) (OSR / OSR + 1)$.
- (2) Offset due to tolerance on G_{Doff2} or G_{Doff3} setting. For small intrinsic offset, use only ADC and PGA1.
- (3) Measured with block connected to inputs through *Amux* block. Normalized input sampling frequency for input impedance is $f_s = 500$ kHz (f_s max, worst case). This figure must be multiplied by 2 for $f_s = 250$ kHz, 4 for $f_s = 125$ kHz. Input impedance is proportional to $1/f_s$.
- (4) Figure independent from gain and sampling frequency. f_s . The effective output noise is reduced by the over-sampling ratio
- (5) Resolution is given by $n = 2 \log_2(OSR) + \log_2(NELCONV)$. OSR can be set between 8 and 1024, in powers of 2. $NELCONV$ can be set to 1, 2, 4 or 8.
- (6) If a ramp signal is applied to the input, all digital codes appear in the resulting ADC output data.
- (7) Gain error is defined as the amount of deviation between the ideal (theoretical) transfer function and the measured transfer function (with the offset error removed).
- (8) Offset error is defined as the output code error for a zero volt input (ideally, output code = 0). For 1 LSB offset, $NELCONV$ must be at least 2.

- (9) INL defined as the deviation of the DC transfer curve of each individual code from the best-fit straight line. This specification holds over the full scale.
- (10) DNL is defined as the difference (in LSB) between the ideal (1 LSB) and measured code transitions for successive codes.
- (11) Values for Gain = 1. PSRR is defined as the amount of change in the ADC output value as the power supply voltage changes.
- (12) Conversion time is given by: $T_{CONV} = (N_{ELCONV}(OSR + 1) + 1) / f_s$. OSR can be set between 8 and 1024, in powers of 2. N_{ELCONV} can be set to 1, 2, 4 or 8.
- (13) PGAs are reset after each writing operation to registers **RegACCfg1-5**, corresponding to change of configuration or input switching. The ADC should be started only some delay after a change of PGA configuration through these registers. Delay between change of configuration of PGA or input channel switching and ADC start should be equivalent to OSR (between 8 and 1024) number of cycles. This is done by writing bit Start several cycles after PGA settings modification or channel switching. This delay does not apply to conversions made without the PGAs.
- (14) Nominal (maximum) bias currents in PGAs and ADC, i.e. $IbAmpPga[1:0] = '11'$ and $IbAmpAdc[1:0] = '11'$.
- (15) Bias currents in PGAs and ADC set to 3/4 of nominal values, i.e. $IbAmpPga[1:0] = '10'$, $IbAmpAdc[1:0] = '10'$.
- (16) Bias currents in PGAs and ADC set to 1/2 of nominal values, i.e. $IbAmpPga[1:0] = '01'$, $IbAmpAdc[1:0] = '01'$.
- (17) Bias currents in PGAs and ADC set to 1/4 of nominal values, i.e. $IbAmpPga[1:0] = '00'$, $IbAmpAdc[1:0] = '00'$.

2.1 Timing Characteristics

Table 5. General timings

Parameter	Symbol	Comment/Condition	Min	Typ	Max	Unit
ADC INTERRUPT (READY) TIMING SPECIFICATIONS						
READY pulse width	t _{IRQ}	Note 18		1		1/fs
STARTUP TIMES						
Startup sequence time at POR	t _{STARTUP}				800	μs
Time to enable RC from Sleep after a SPI command	t _{RCEN}			100	450	μs
Effective Start	t _{START_SPI}			250		μs

(18) The READY pulse indicates End of Conversion. This is a Positive pulse of duration equal to one cycle of the ADC sampling rate in “continuous mode”. See also [Figure 15](#), [page 30](#) for data conversion waveforms.

2.1.1 POR Timings

The Slave Select pin (\overline{SS}) can be used to detect the effective start of the device. See [section 9.4](#), [page 42](#) for functional descriptions. The SPI interface can be accessed as soon as the \overline{SS} pin (slave) is set to ‘output’ as illustrated on [Figure 2](#).

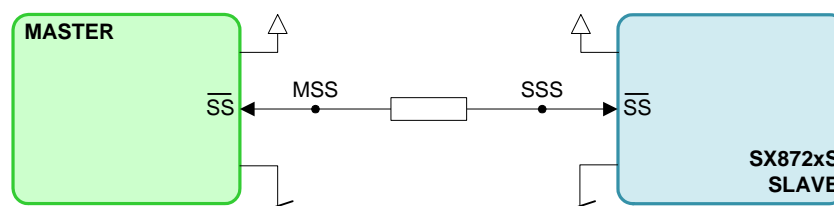


Figure 1. SPI Master detecting start sequence through Slave Select pin

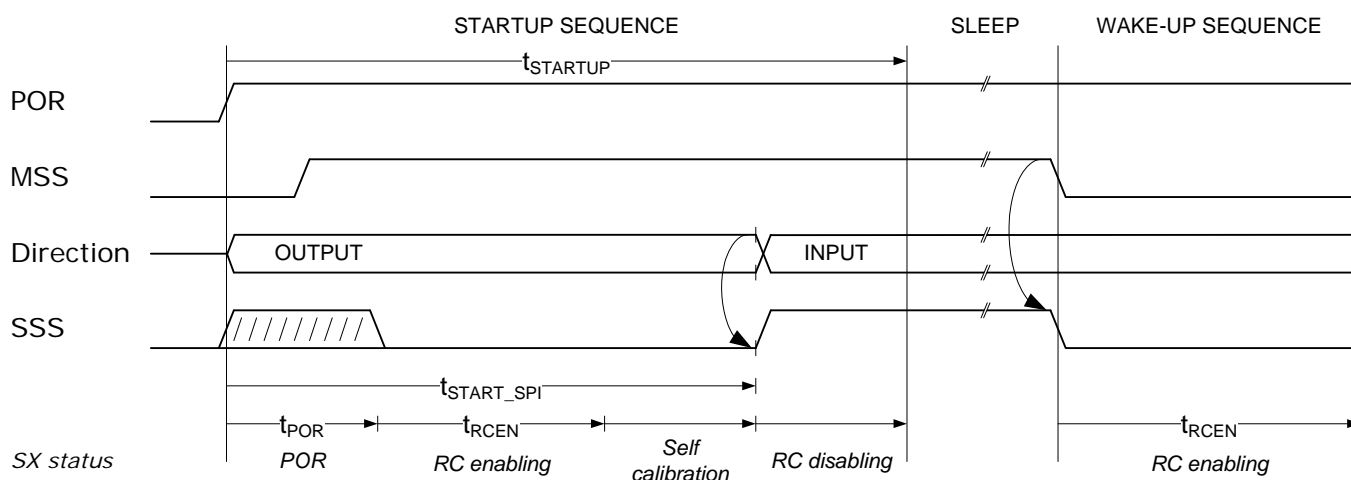


Figure 2. Slave Select pin and Power-On-Reset Timings

2.1.2 SPI interface timings

Parameter	Symbol	Min	Typ	Max	Units
\overline{SS} to SCLK Edge	t_{SSC}	30			ns
SCLK Period	t_{SC}	250	500		ns
SCLK Low Pulse width	t_{SCL}	100			ns
SCLK High Pulse width	t_{SCH}	100			ns
Data Output Valid after SCLK Edge	t_{DV}		125	200	ns
Data Input Setup Time before SCLK Edge	t_{DS}	0			ns
Data Input Hold Time after SCLK Edge	t_{DH}	100	250		ns
\overline{SS} High after SCLK Edge	t_{SSC}	0			ns
\overline{SS} High to MISO High Impedance	t_{SSD}			30	ns

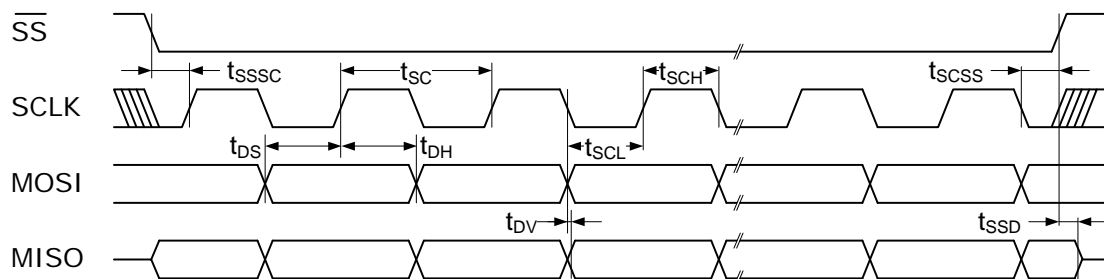
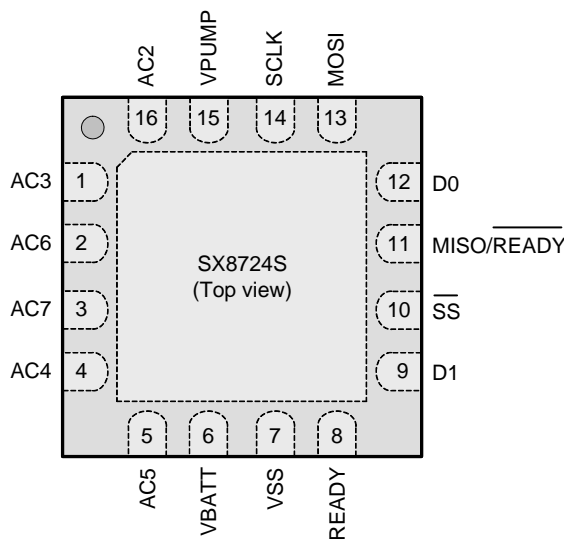
2.1.3 SPI timing diagram


Figure 3. SPI timing diagram

CIRCUIT DESCRIPTION

3 Pin Configuration



4 Marking Information



nnnnn = Part Number
 yyww = Date Code¹
 xxxxx = Semtech Lot Number
 xxxxx

1.Date codes and Lot numbers starting with the 'E' character are used for Engineering samples

5 Pin Description

Note The bottom pad is internally connected to VSS. It should also be connected to VSS on PCB to reduce noise and improve thermal behavior.

Pin	Name	Type	Function
1	AC3	Analog Input	Differential sensor input in conjunction with AC2
2	AC6	Analog Input	Differential sensor input in conjunction with AC7
3	AC7	Analog Input	Differential sensor input in conjunction with AC6
4	AC4	Analog Input	Differential sensor input in conjunction with AC5
5	AC5	Analog Input	Differential sensor input in conjunction with AC4
6	VBATT	Power Input	2.4V to 5.5V power supply
7	VSS	Power Input	Chip Ground
8	READY	Digital Output	Data Ready (active high). Conversion complete flag.
9	D1	Digital IO	Digital output sensor drive (VBATT or VSS)
		Analog	V _{REF} Input in optional operating mode
10	\overline{SS}	Digital Input	Slave select (active low). This pin is set as output low during the POR sequence.
11	MISO/ \overline{READY}	Digital Output	Serial data out (Master Input, Slave Output), or data out combined with Data Ready (active low when Data Ready function enabled).
12	D0	Digital IO	Digital output sensor drive (VBATT or VSS)
		Analog	V _{REF} Output in optional operating mode
13	MOSI	Digital Input	Serial data in (Master Output, Slave Input)
14	SCLK	Digital Input	Serial clock from the Master.
15	VPUMP	Power IO	Charge pump output. Raises ADC supply above VBATT if VBATT supply is too low. Recommended range for capacitor is 1nF to 10 nF. Connect the capacitor to ground.
16	AC2	Analog Input	Differential sensor input in conjunction with AC3

6 General Description

The SX8724S is a complete low-power acquisition path with programmable gain, acquisition speed and resolution.

6.1 Bloc diagram

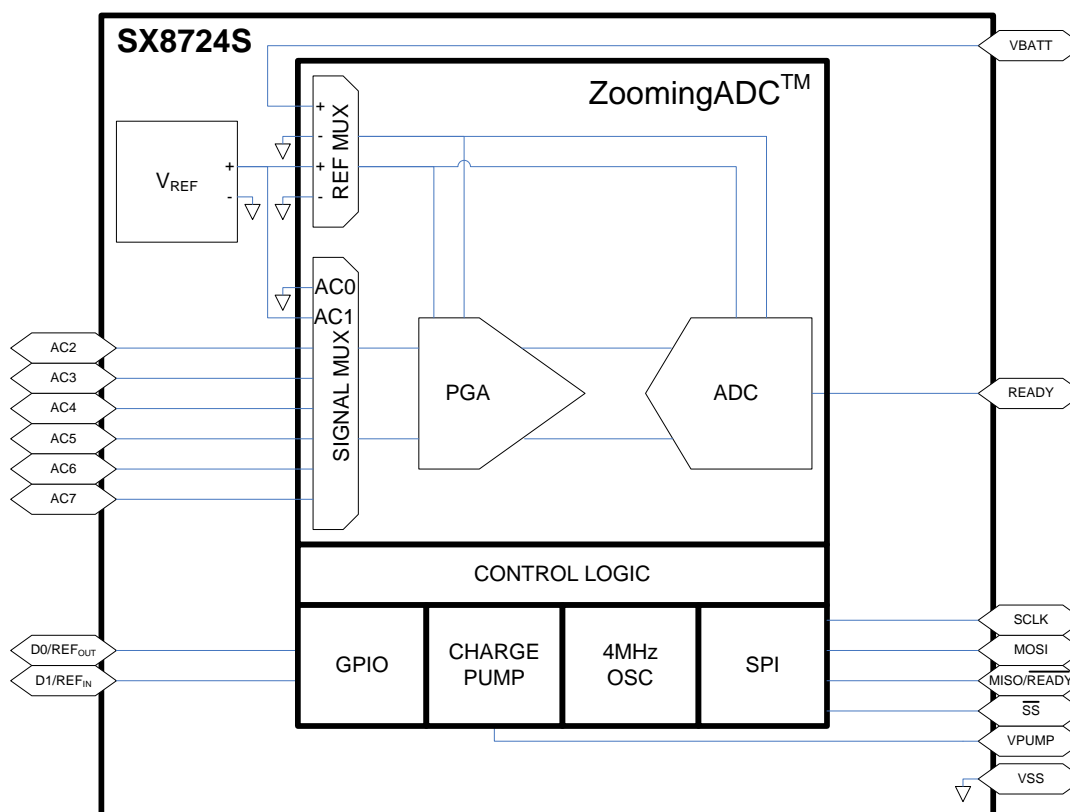


Figure 4. SX8724S bloc diagram

6.2 VREF

The internally generated V_{REF} is a trimmed bandgap reference with a nominal value of 1.22V that provides a stable voltage reference for the ZoomingADC.

This reference voltage is directly connected to one of the ZoomingADC reference multiplexer inputs.

The bandgap voltage stability is only guaranteed for V_{BATT} voltages of 3V and above. As V_{BATT} drops down to 2.4V, the bandgap voltage could reduce by up to 50mV.

The bandgap has relatively weak output drive so it is recommended that if the bandgap is required as a signal input then $PGA1$ must be enabled with gain = 1.

6.3 GPIO

The $GPIO$ block is a multipurpose 2 bit input/output port. In addition to digital behavior, $D0$ and $D1$ pins can be programmed as analog pins in order to be used as output (reference voltage monitoring) and input for an external

reference voltage (For further details see [Figure 7](#), [Figure 8](#), [Figure 9](#) and [Figure 10](#)). Each port terminal can be individually selected as digital input or output.

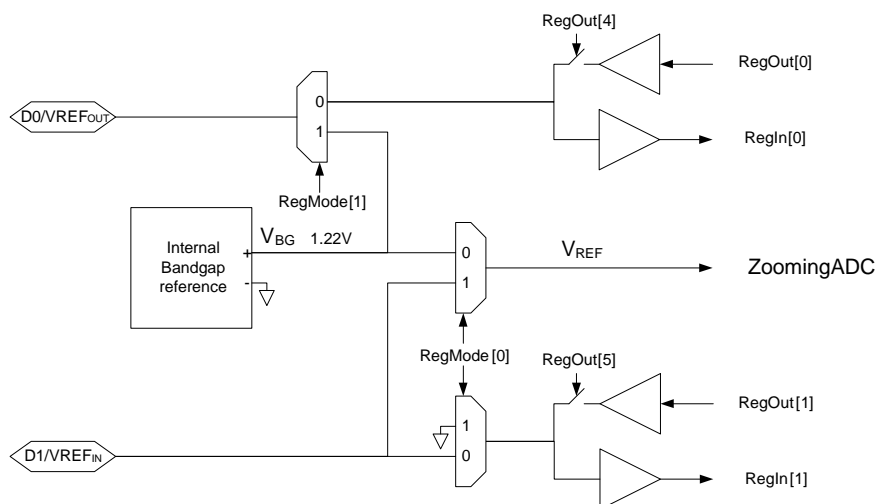


Figure 5. GPIO bloc diagram

The direction of each bit within the *GPIO* block (input only or input/output) can be individually set using the bits of the **RegOut** (address 0x40) register. If $D[x]Dir = 1$, both the input and output buffer are active on the corresponding *GPIO* block pin. If $D[x]Dir = 0$, the corresponding *GPIO* block pin is an input only and the output buffer is in high impedance. After power on reset the *GPIO* block pins are in input/output mode ($D[x]Dir$ are reset to 1).

The input values of *GPIO* block are available in **RegIn** (address 0x41) register (read only). Reading is always direct - there is no debounce function in the *GPIO* block. In case of possible noise on input signals, an external hardware filter has to be realized. The input buffer is also active when the *GPIO* block is defined as output and the effective value on the pin can be read back.

Data stored in the LSB bits of **RegOut** register are outputted at *GPIO* block if $D[x]Dir = 1$. The default values after power on reset is low (0).

The digital pins are able to deliver a driving current up to 8 mA.

When the bits $VrefD0Out$ and $VrefD1In$ in the **RegMode** (address 0x70) register are set to 1 the *D0* and *D1* pins digital behavior are automatically bypassed in order to either input or output the voltage reference signals.

6.3.1 Optional Operating Mode: External Vref

$D0$ and $D1$ are multi-functional pins with the following functions in different operating modes (see **RegMode** register for control settings):

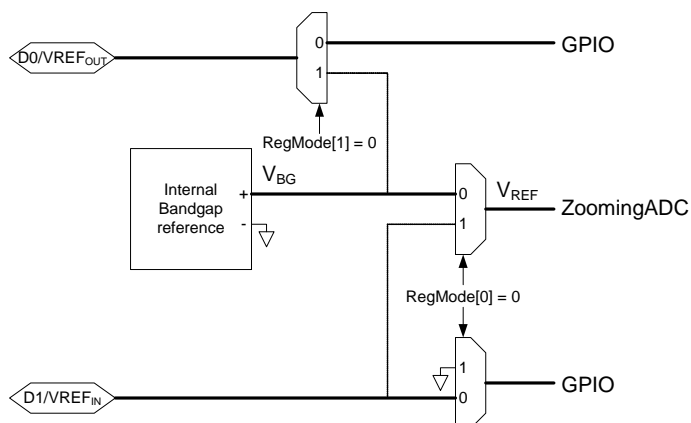


Figure 7. $D0$ and $D1$ are Digital Inputs / Outputs

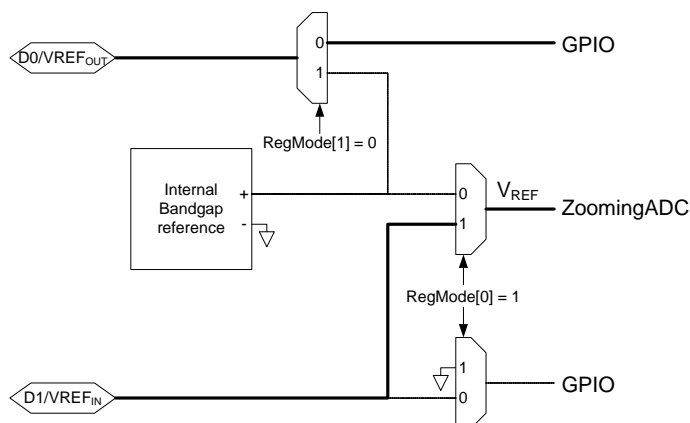


Figure 8. $D1$ is Reference Voltage Input and $D0$ is Digital Input / Output

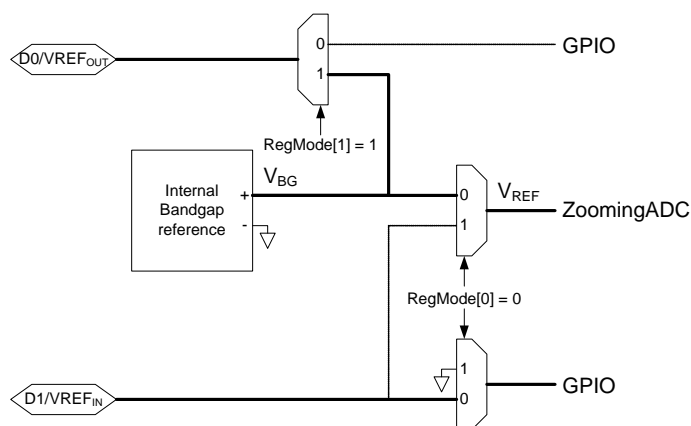


Figure 9. $D1$ is Digital Input / Output and $D0$ Reference Voltage Output

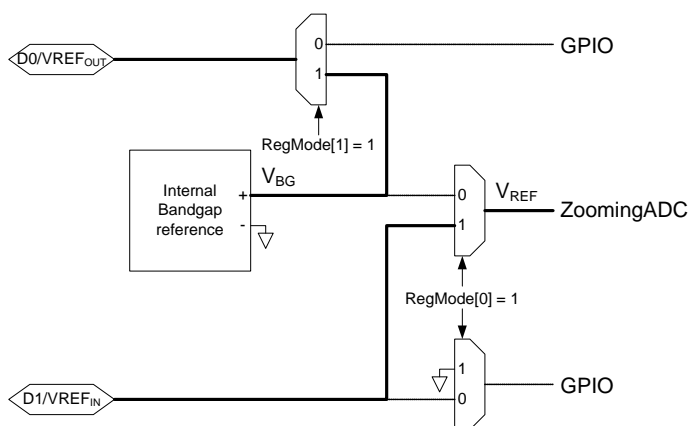


Figure 10. $D0$ is Reference Voltage Output and $D1$ is Reference Voltage Input

This allows external monitoring of the internal bandgap reference or the ability to use an external reference input for the ADC, or the option to filter the internal V_{REF} output before feeding back as $V_{REF,ADC}$ input. The internally generated V_{REF} is a trimmed as ADC reference with a nominal value of 1.22V. When using an external $V_{REF,ADC}$ input, it may have any value between 0V and V_{BATT} . Simply substitute the external value for 1.22 V in the ADC conversion calculations.

6.4 Charge Pump

This block generates a supply voltage able to power the analog switch drive levels on the chip higher than V_{BATT} if necessary.

If V_{BATT} voltage drops below 3V then the block should be activated. If V_{BATT} voltage is greater than 3V then V_{BATT} may be switched straight through to the $VPUMP$ output. If the charge pump is not activated then $VPUMP = V_{BATT}$.

If control input bit $MultiForceOff = 1$ in **RegMode** (address 0x70) register then the charge pump is disabled and V_{BATT} is permanently connected to $VPUMP$ output.

If control input bit $MultiForceOn = 1$ in **RegMode** register then the charge pump is permanently enabled. This overrides $MultiForceOff$ bit in **RegMode** register.

An external capacitor is required on $VPUMP$ pin. This capacitor should be large enough to ensure that generated voltage is smooth enough to avoid affecting conversion accuracy but not so large that it gives an unacceptable settling time. A recommended value is around 2.2nF.

6.5 RC Oscillator

This block provides the master clock reference for the chip. It produces a clock at 4 MHz which is divided internally in order to generate the clock sources needed by the other blocks.

The oscillator technique is a low power relaxation design and it is designed to vary as little as possible over temperature and supply voltage.

This oscillator is trimmed at manufacture chip test.

The RC oscillator will start up after a chip reset to allow the trimming values to be read and calibration registers. Once this has been done, the oscillator will be shut down and the chip will enter a sleep state while waiting for a SPI communication.

The worst case duration from reset (or POR) to the sleep state is 800us.

6.5.1 Wake-up from sleep

When the device is in sleep state, the RC oscillator will start up after a communication. The start up sequence for the RC oscillator is 450us in worst case.

During this time, the internal blocs using the RC can not be used: no ADC conversion can be started.

7 ZoomingADC

7.1 Overview

The *ZoomingADC* is a complete and versatile low-power analog front-end interface typically intended for sensing applications. In the following text the *ZoomingADC* will be referred as *ZADC*.

The key features of the *ZADC* are:

- Programmable 6 to 16-bit dynamic range over-sampled ADC
- Flexible gain programming between 1/12 and 1000
- Flexible and large range offset compensation
- Differential or single-ended input
- 2-channel differential reference inputs
- Power saving modes

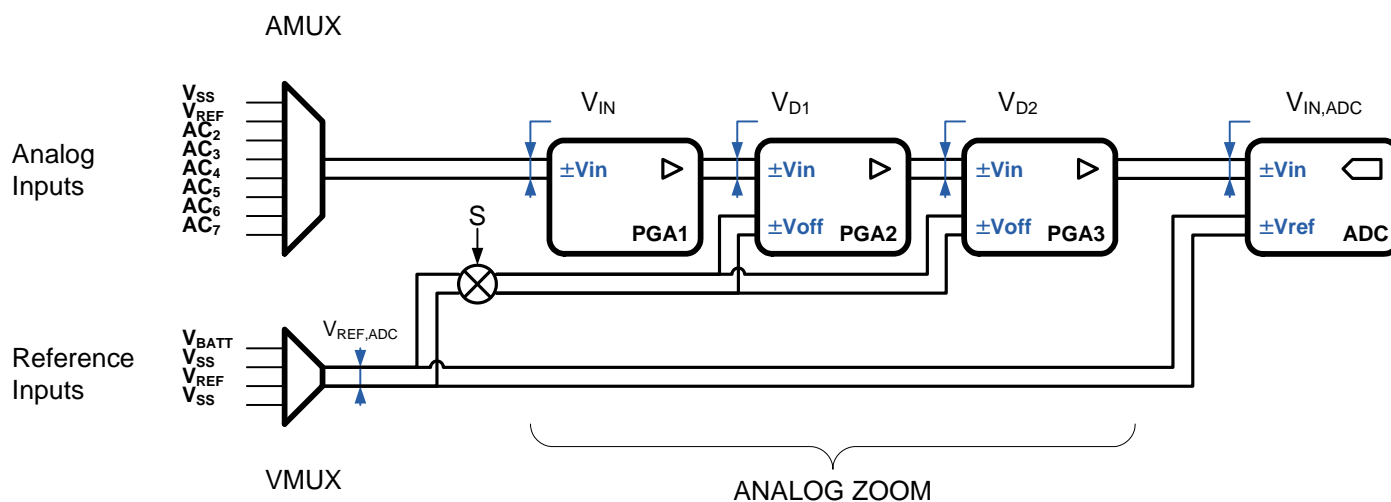


Figure 11. ZADC General Functional Block Diagram

The total acquisition chain consists of an input multiplexer, 3 programmable gain amplifier stages and an over sampled A/D converter. The reference voltage can be selected on two different channels. Two offset compensation amplifiers allow for a wide offset compensation range. The programmable gain and offset allow the application to zoom in on a small portion of the reference voltage defined input range.

7.1.1 Acquisition Chain

Figure 11, page 17 shows the general block diagram of the acquisition chain (AC). A control block (not shown in **Figure 11**) manages all communications with the SPI peripheral. The clocking is derived from the internal 4 MHz Oscillator.

Analog inputs can be selected through an 8 input multiplexer, while reference input is selected between two differential channels. It should however be noted that only 7 acquisition channels (including the VREF) are available when configured as single ended since the input amplifier is always operating in differential mode with both positive and negative input selected through the multiplexer.

The core of the zooming section is made of three differential programmable amplifiers (*PGA*). After selection of an input and reference signals V_{IN} and $V_{REF,ADC}$ combination, the input voltage is modulated and amplified through stages 1 to 3. Fine gain programming up to 1'000 V/V is possible. In addition, the last two stages provide programmable offset. Each amplifier can be bypassed if needed.

The output of the cascade of *PGA* is directly fed to the analog-to-digital converter (*ADC*), which converts the signal $V_{IN,ADC}$ into digital.

Like most *ADCs* intended for instrumentation or sensing applications, the ZoomingADCTM is an over-sampled converter¹. The *ADC* is a so-called incremental converter; with bipolar operation (the *ADC* accepts both positive and negative differential input voltages). In first approximation, the *ADC* output result relative to full-scale (*FS*) delivers the quantity:

$$\frac{OUT_{ADC}}{FS/2} \cong \frac{V_{IN,ADC}}{V_{REF}/2}$$

Equation 1

in two's complement (see [Equation 18](#) and [Equation 19, page 30](#) for details). The output code OUT_{ADC} is $-FS/2$ to $+FS/2$ for $V_{IN,ADC} = -V_{REF,ADC}/2$ to $+V_{REF,ADC}/2$ respectively. As will be shown, $V_{IN,ADC}$ is related to input voltage V_{IN} by the relationship:

$$V_{IN,ADC} = GD_{TOT} \cdot V_{IN} - GDOFF_{TOT} \cdot S \cdot V_{REF} \quad [V]$$

Equation 2

where GD_{TOT} is the total *PGA* gain, $GDOFF_{TOT}$ is the total magnitude of *PGA* offset and S is the sign of the offset (see [Table 8, page 21](#)).

7.1.2 Programmable Gain Amplifiers

As seen in [Figure 11, page 17](#), the zooming function is implemented with three programmable gain amplifiers (*PGA*). These are:

- *PGA1*: coarse gain tuning
- *PGA2*: medium gain and offset tuning
- *PGA3*: fine gain and offset tuning. Should be set ON for high linearity data acquisition

All gain and offset settings are realized with ratios of capacitors. The user has control over each *PGA* activation and gain, as well as the offset of stages 2 and 3. These functions are examined hereafter.

1. Over-sampled converters are operated with a sampling frequency f_s much higher than the input signal's Nyquist rate (typically f_s is 20-1'000 times the input signal bandwidth). The sampling frequency to throughput ratio is large (typically 10-500). These converters include digital decimation filtering. They are mainly used for high resolution, and/or low-to-medium speed applications.

7.1.3 PGA & ADC Enabling

Depending on the application objectives, the user may enable or bypass each *PGA* stage. This is done according to the word *Enable* and the coding given in **Table 6**. To reduce power dissipation, the *ADC* can also be inactivated while idle.

Table 6. ADC and PGA Enabling

Enable (RegACCfg1[3:0])	Block
XXX0	ADC disabled
XXX1	ADC enabled
XX0X	PGA1 disabled
XX1X	PGA1 enabled
X0XX	PGA2 disabled
X1XX	PGA2 enabled
0XXX	PGA3 disabled
1XXX	PGA3 enabled

7.2 ZoomingADC Registers

The system has a bank of eight 8-bit registers: six registers are used to configure the acquisition chain (**RegAcCfg0** to **RegAcCfg5**), and two registers are used to store the output code of the analog-to-digital conversion (**RegAcOutMsb** & **Lsb**).

Table 7. Registers to Configure the Acquisition Chain (AC) and to Store the Analog-to-Digital Conversion (ADC) Result

Register Name	Bit position							
	7	6	5	4	3	2	1	0
RegACOutLsb	Out[7:0] Note 1							
RegACOutMsb	Out[15:8]							
RegACCfg0 Default values:	Start 0, Note 2	SetNelconv 01, Note 3		SetOsr 010, Note 4			Continuous 0, Note 5	SampleShiftEn 0, Note 6
RegACCfg1 Default value:	IbAmpAdc 11, Note 7		IbAmpPga 11, Note 8		Enable 0000, Note 9			
RegACCfg2 Default value:	SetFs 00, Note 10		Pga2Gain 00, Note 12		Pga2Offset 0000, Note 14			
RegACCfg3 Default value:	Pga1Gain 0, Note 11	Pga3Gain 0001100, Note 13						
RegACCfg4 Default value:	DataReadyEn 0, Note 15	Pga3Offset 0000000, Note 16						
RegACCfg5 Default value:	Busy 0, Note 17	Def 0, Note 18	Amux 00000, Note 19				Vmux 0, Note 20	

(r = read; w = write; rw = read & write)

- (1) **Out:** (r) digital output code of the analog-to-digital converter. (MSB = Out[15])
- (2) **Start:** (w) setting this bit triggers a single conversion (after the current one is finished). This bit always reads back 0.

- (3) **SetNelconv:** (rw) sets the number of elementary conversions to $2^{(SetNelconv[1:0])}$. To compensate for offsets, the input signal is chopped between elementary conversions (1,2,4,8).
- (4) **SetOsr:** (rw) sets the over-sampling rate (*OSR*) of an elementary conversion to $2^{(3+SetOsr[2:0])}$. *OSR* = 8, 16, 32, ..., 512, 1024.
- (5) **Continuous:** (rw) setting this bit starts a conversion. When this bit is 1, A new conversion will automatically begin directly when the previous one is finished.
- (6) **SampleShiftEn:** (rw) the 16-bit samples can be directly shifted out through the SPI interface by the master when a conversion is done.
- (7) **IbAmpAdc:** (rw) sets the bias current in the *ADC* to $0.25 \times (1 + IbAmpAdc[1:0])$ of the normal operation current (25, 50, 75 or 100% of nominal current). To be used for low-power, low-speed operation.
- (8) **IbAmpPga:** (rw) sets the bias current in the *PGAs* to $0.25 \times (1 + IbAmpPga[1:0])$ of the normal operation current (25, 50, 75 or 100% of nominal current). To be used for low-power, low-speed operation.
- (9) **Enable:** (rw) enables the *ADC* modulator (bit 0) and the different stages of the *PGAs* (*PGA_i* by bit *i*=1,2,3). *PGA* stages that are disabled are bypassed.
- (10) **SetFs:** (rw) These bits set the over sampling frequency of the acquisition chain. Expressed as a fraction of the oscillator frequency, the sampling frequency is given as: 11 ' 500 kHz, 10 ' 250 kHz, 01 ' 125 kHz, 00 ' 62.5 kHz.
- (11) **Pga1Gain:** (rw) sets the gain of the first stage: 0 ' 1, 1 ' 10.
- (12) **Pga2Gain:** (rw) sets the gain of the second stage: 00 ' 1, 01 ' 2, 10 ' 5, 11 ' 10.
- (13) **Pga3Gain:** (rw) sets the gain of the third stage to *Pga3Gain*[6:0] 1/12.
- (14) **Pga2Offset:** (rw) sets the offset of the second stage between -1 and +1, with increments of 0.2. The *MSB* gives the sign (0 positive, 1 negative); amplitude is coded with the bits *Pga2Offset*[5:0].
- (15) **DataReadyEn:** (rw) enables the combined data ready mode with the *MISO* of the *SPI* interface.
- (16) **Pga3Offset:** (rw) sets the offset of the third stage between -5.25 and +5.25, with increments of 1/12. The *MSB* gives the sign (0 positive, 1 negative); amplitude is coded with the bits *Pga3Offset*[5:0].
- (17) **Busy:** (r) set to 1 if a conversion is running.
- (18) **Def:** (w) sets all values to their defaults (*PGA* disabled, *AMux* not changed, *VMux* not changed, *ADC* enabled, nominal modulator bias current (100%), 2 elementary conversions, *OSR* = 32, *NELCONV* = 2, *fs* = 62.5kHz) and starts a new conversion without waiting the end of the preceding one.
- (19) **Amux(4:0):** (rw) *Amux*[4] sets the mode (0 ' differential inputs, 1 ' single ended inputs with *A0*= common reference) *Amux*[3] sets the sign (0 ' straight, 1 ' cross) *Amux*[2:0] sets the channel.
- (20) **Vmux:** (rw) sets the differential reference channel (0 ' *VBATT*, 1 ' *VREF*).

7.3 Input Multiplexers (AMUX and VMUX)

The ZoomingADC has analog inputs *AC0* to *AC7* and reference inputs. Let us first define the differential input voltage *V_{IN}* and reference voltage *V_{REF,ADC}* respectively as:

$$V_{IN} = V_{INP} - V_{INN} \quad [V]$$

Equation 3

$$V_{REF} = V_{REFP} - V_{REFN} \quad [V]$$

Equation 4

As shown in [Table 8](#), the inputs can be configured in two ways: either as 4 differential channels ($V_{IN1} = AC1 - AC0, \dots, V_{IN4} = AC7 - AC6$), or $AC0$ can be used as a common reference, providing 7 signal paths all referred to $AC0$. The control word for the analog input selection is $Amux$. Notice that the $Amux$ bit 4 controls the sign of the input voltage.

Table 8. Analog Input Selection

Amux (RegACCfg5[5:1])	V_{INP}	V_{INN}	Amux (RegACCfg5[5:1])	V_{INP}	V_{INN}
Sign S = 1			Sign S = -1		
00x00	AC1(VREF)	AC0(Vss)	01x00	AC1(Vss)	AC0(VREF)
00x01	AC3	AC2	01x01	AC2	AC3
00x10	AC5	AC4	01x10	AC4	AC5
00x11	AC7	AC6	01x11	AC6	AC7
10000	AC0(Vss)	AC0(Vss)	11000	AC0(Vss)	AC0(Vss)
10001	AC1(VREF)		11001		AC1(VREF)
10010	AC2		11010		AC2
10011	AC3		11011		AC3
10100	AC4		11100		AC4
10101	AC5		11101		AC5
10110	AC6		11110		AC6
10111	AC7		11111		AC7

Similarly, the reference voltage is chosen among two differential channels ($V_{REF} = V_{BATT} - V_{SS}$, $V_{REF} = V_{BG} - V_{SS}$ or $V_{REF} = V_{REF,IN} - V_{SS}$) as shown in [Table 9](#). The selection bit is $Vmux$. The reference inputs V_{REFP} and V_{REFN} (common-mode) can be up to the power supply range.

Table 9. Analog reference Input Selection

Vmux (RegACCfg5[0])	V_{REFP}	V_{REFN}
0	$V_{REF} = V_{BATT}$	V_{SS}
1	$V_{REF} = V_{BG}$ or $V_{REF,IN}$ ¹	V_{SS}

1. External voltage reference on D1 GPIO pin. See [section 6.3 on page 13](#) about GPIO and "RegMode[0x70]" on page 48.

7.4 First Stage Programmable Gain Amplifier (PGA1)

The first stage can have a buffer function (unity gain) or provide a gain of 10 (see [Table 10](#)). The voltage V_{D1} at the output of $PGA1$ is:

$$V_{D1} = GD_1 \cdot V_{IN} \quad [V]$$

Equation 5

where GD_1 is the gain of PGA_1 (in V/V) controlled with the $Pga1Gain$ bit.

Table 10. PGA1 gain settings

Pga1Gain bit (RegACCfg3[7])	PGA1 gain [V/V] GD_1 [V/V]
0	1
1	10

7.5 Second Stage Programmable Gain Amplifier (PGA2)

The second PGA has a finer gain and offset tuning capability, as shown in [Table 11](#). The VD_2 voltage at the output of PGA_2 is given by:

$$V_{D_2} = GD_2 \cdot V_{D_1} - GD_{off_2} \cdot S \cdot V_{REF} \quad [V]$$

Equation 6

where GD_2 and GD_{OFF2} are respectively the gain and offset of PGA_2 (in V/V). These are controlled with the words $Pga2Gain[1:0]$ and $Pga2Offset[3:0]$.

Table 11. PGA2 gain and offset settings

Pga2Gain bit field (RegACCfg2[5:4])	PGA2 gain [V/V] GD_2 [V/V]	Pga2Offset bit field (RegACCfg2[3:0])	PGA2 offset GD_{OFF2} [V/V]
00	1	0000	0
01	2	0001	+0.2
10	5	0010	+0.4
11	10	0011	+0.6
		0100	+0.8
		0101	+1
		1000	0
		1001	-0.2
		1010	-0.4
		1011	-0.6
		1100	-0.8
		1101	-1.0

7.6 Third Stage Programmable Gain Amplifier (PGA3)

The finest gain and offset tuning is performed with the third and last PGA stage, according to the coding of [Table 12](#).

Table 12. PGA3 Gain and Offset Settings

Pga3Gain bit field (RegACCfg3[6:0])	PGA3 Gain GD_3 [V/V]	Pga3Offset bit field (RegACCfg4[6:0])	PGA3 Offset GD_{OFF3} [V/V]
0000000	0	0000000	0
0000001	1/12 (=0.083)	0000001	+1/12 (=0.083)

Table 12. PGA3 Gain and Offset Settings

Pga3Gain bit field (RegACCfg3[6:0])	PGA3 Gain GD_3 [V/V]	Pga3Offset bit field (RegACCfg4[6:0])	PGA3 Offset $GDOFF_3$ [V/V]
...
0000110	6/12	0010000	+16/12
...
0001100	12/12	0100000	32/12
0010000	16/12
...	...	0111111	+63/12 (=+5.25)
0100000	32/12	1000000	0
...	...	1000001	-1/12 (= -0.083)
1000000	64/12	1000010	-2/12
...
1111111	127/12 (=10.58)	1010000	-16/12
	
		1100000	-32/12
	
		1111111	-63/12 (= -5.25)

The output of PGA_3 is also the input of the ADC. Thus, similarly to PGA_2 , we find that the voltage entering the ADC is given by:

$$V_{IN,ADC} = GD_3 \cdot V_{D2} - GDOFF_3 \cdot S \cdot V_{REF} \quad [V]$$

Equation 7

where GD_3 and $GDOFF_3$ are respectively the gain and offset of PGA_3 (in V/V). The control words are $Pga3Gain[6:0]$ and $Pga3Offset[6:0]$.

To remain within the signal compliance of the PGA stages (no saturation), the condition:

$$|V_{IN}|, |V_{D1}|, |V_{D2}| < \frac{V_{BATT}}{2}$$

Equation 8

must be verified.

To remain within the signal compliance of the ADC (no saturation), the condition:

$$|V_{IN,ADC}| < \left(\frac{V_{REF}}{2} \right) \left(\frac{OSR-1}{OSR} \right)$$

Equation 9

must be verified.

Finally, combining **Equation 5** to **Equation 7** for the three PGA stages, the input voltage $V_{IN,ADC}$ of the ADC is related to V_{IN} by:

$$V_{IN,ADC} = GD_{TOT} \cdot V_{IN} - GDoff_{TOT} \cdot S \cdot V_{REF} \quad [V]$$

Equation 10

where the total PGA gain is defined as:

$$GD_{TOT} = GD_3 \cdot GD_2 \cdot GD_1$$

Equation 11

and the total PGA offset is:

$$GDoff_{TOT} = GDoff_3 + GD_3 \cdot GDoff_2$$

Equation 12

7.7 Analog-to-Digital Converter (ADC)

The main performance characteristics of the ADC (resolution, conversion time, etc.) are determined by three programmable parameters. The setting of these parameters and the resulting performances are described later.

- f_s : Over-sampling frequency
- OSR : Over-Sampling Ratio
- $NELCONV$: Number of Elementary Conversions

7.7.1 Conversion Sequence

A conversion is started each time the bit *Start* or the *Def* bit is set. As depicted in **Figure 12**, a complete analog-to-digital conversion sequence is made of a set of $NELCONV$ elementary incremental conversions and a final quantization step. Each elementary conversion is made of $(OSR+1)$ over-sampling periods $T_s=1/f_s$, i.e.:

$$T_{ELCONV} = (OSR+1) / f_s \quad [s]$$

Equation 13

The result is the mean of the elementary conversion results. An important feature is that the elementary conversions are alternatively performed with the offset of the internal amplifiers contributing in one direction and the other to the output code. Thus, converter internal offset is eliminated if at least two elementary sequences are performed (i.e. if $NELCONV \geq 2$). A few additional clock cycles are also required to initiate and end the conversion properly.

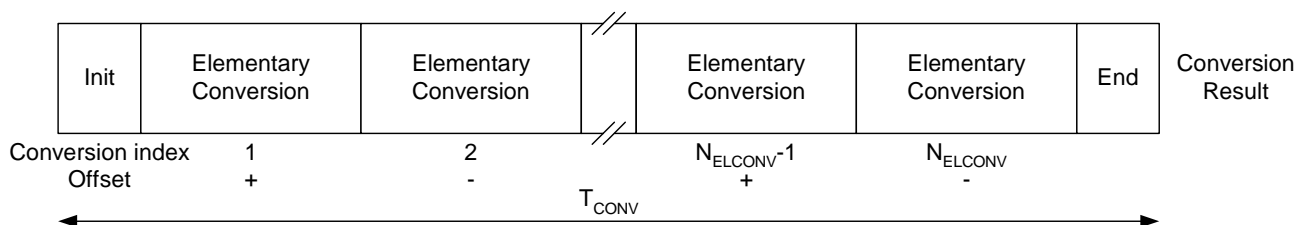


Figure 12. Analog-to-Digital Conversion Sequence

Note The internal bandgap reference state may be forced High or Low, or may be set to toggle during conversion at either the same rate or half the rate of the Elementary Conversion. This may be useful to help eliminate bandgap related internal offset voltage and $1/f_s$ noise.

7.7.2 Over-Sampling Frequency (fs)

The word *SetFs[1:0]* (see [Table 13](#)) is used to select the over-sampling frequency *fs*. The over-sampling frequency is derived from the 4MHz oscillator clock.

Table 13. Sampling frequency settings

SetFs bit field (RegACCfg2[7:6])	Over-Sampling Frequency fs [Hz]
00	62.5 kHz
01	125 kHz
10	250 kHz
11	500 kHz

7.7.3 Over-Sampling Ratio (OSR)

The over-sampling ratio (*OSR*) defines the number of integration cycles per elementary conversion. Its value is set with the word *SetOsr[2:0]* in power of 2 steps (see [Table 14](#)) given by:

$$OSR = 2^{3+SetOsr[2:0]} \quad [-]$$

Equation 14

Table 14. Over-sampling ratio settings

SetOsr[2:0] (RegACCfg4[4:2])	Over-Sampling Ratio OSR [-]
000	8
001	16
010	32
011	64
100	128
101	256
110	512
111	1024

7.7.4 Number of Elementary Conversions (Nelconv)

As mentioned previously, the whole conversion sequence is made of a set of *NELCONV* elementary incremental conversions. This number is set with the word *SetNelconv[1:0]* in power of 2 steps (see [Table 15](#)) given by:

$$N_{ELCONV} = 2^{SetNelconv[1:0]} \quad [-]$$

Equation 15

Table 15. Number of elementary conversion

SetOsr[2:0] (RegACCfg[4:2])	# of Elementary Conversion NELCONV [-]
00	1
01	2
10	4
11	8

As already mentioned, $NELCONV$ must be equal or greater than 2 to reduce internal amplifier offsets.

7.7.5 Resolution

The theoretical resolution of the ADC, without considering thermal noise, is given by:

$$n = 2 \cdot \log_2(OSR) + \log_2(N_{ELCONV}) \quad [bit]$$

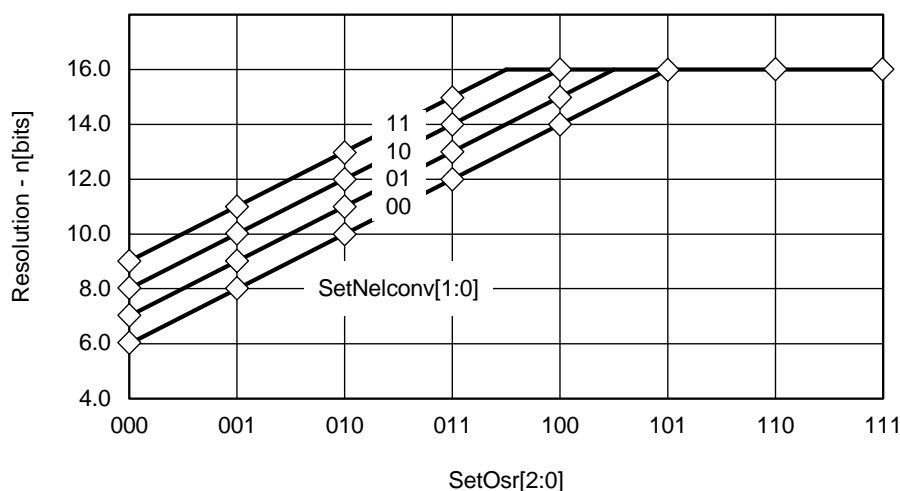
Equation 16


Figure 13. Resolution vs. $SetOsr[2:0]$ and $SetNelconv[2:0]$

Using look-up [Table 16](#) or the graph plotted in [Figure 13](#), resolution can be set between 6 and 16 bits. Notice that, because of 16-bit register use for the ADC output, **practical resolution is limited to 16 bits**, i.e. $n = 16$. Even if the

resolution is truncated to 16 bit by the output register size, it may make sense to set OSR and N_{ELCONV} to higher values in order to reduce the influence of the thermal noise in the PGA.

Table 16. Resolution¹ vs. SetOsr and SetNelconv settings

SetOsr control bits	SetNelconv control bits			
	'00'	'01'	'10'	'11'
'000'	6	7	8	9
'001'	8	9	10	11
'010'	10	11	12	13
'011'	12	13	14	15
'100'	14	15	16	16
'101'	16	16	16	16
'110'	16	16	16	16
'111'	16	16	16	16

1. In shaded area, the resolution is truncated to 16 bits due to output register size **RegA-COut[15:0]**

7.7.6 Conversion Time & Throughput

As explained in [Figure 13](#), conversion time is given by:

$$T_{CONV} = (N_{ELCONV} \cdot (OSR + 1) + 1) / f_s \quad [s]$$

Equation 17

and throughput is then simply $1/T_{CONV}$. For example, consider an over-sampling ratio of 256, 2 elementary conversions, and a sampling frequency of 500 kHz ($SetOsr = "101"$, $SetNelconv = "01"$ and $SetFs = "00"$). In this case, using [Table 17](#), the conversion time is 515 sampling periods, or 1.03ms. This corresponds to a throughput of 971Hz in continuous-time mode. The plot of [Figure 14](#) illustrates the classic trade-off between resolution and conversion time.

Table 17. Normalized conversion time (Tconv x fs) vs. SetOsr and SetNelconv settings¹

SetOsr bits OSR	SetNelconv control bits NELCONV			
	'00' 1	'01' 2	'10' 4	'11' 8
'000'	10	19	37	73
'001'	18	35	69	137
'010'	34	67	133	265
'011'	66	131	261	521

Table 17. Normalized conversion time ($T_{conv} \times f_s$) vs. SetOsr and SetNelconv settings¹

SetOsr bits OSR	SetNelconv control bits NELCONV			
	'00' 1	'01' 2	'10' 4	'11' 8
'100'	130	259	517	1033
'101'	258	515	1029	2057
'110'	514	1027	2053	4105
'111'	1026	2051	4101	8201

1. Normalized to sampling period $1/f_s$

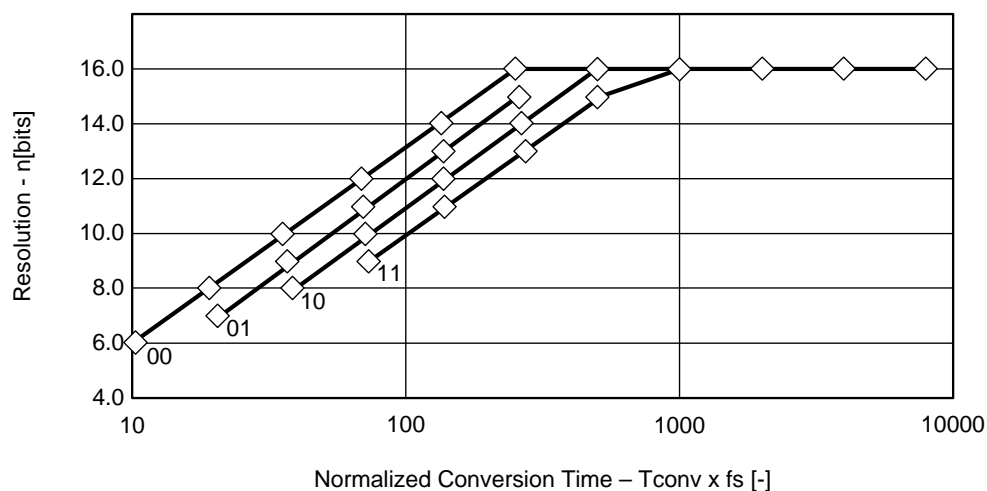


Figure 14. Resolution vs. normalized¹ conversion time for different SetNelconv[1:0]

1. Normalized Conversion Time - $T_{CONV} \times f_s$

7.7.7 Continuous-Time vs. On-Request Conversion

The ADC can be operated in two distinct modes: "continuous-time" and "on-request" modes (selected using the bit *Continuous*).

In "continuous-time" mode, the input signal is repeatedly converted into digital. After a conversion is finished, a new one is automatically initiated. The new value is then written in the result register, and the corresponding internal trigger pulse is generated. This operation is sketched in [Figure 15](#). The conversion time in this case is defined as T_{CONV} .

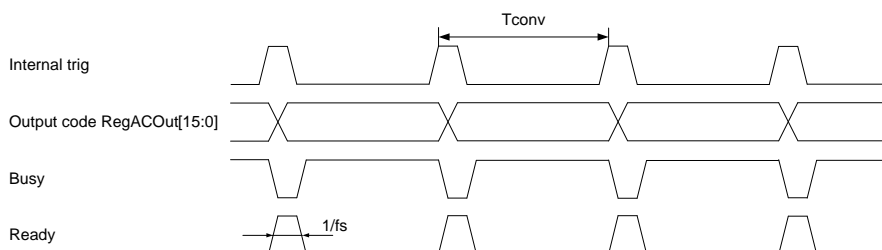


Figure 15. ADC "Continuous-Time" Operation

In the "on-request" mode, the internal behavior of the converter is the same as in the "continuous-time" mode, but the conversion is initiated on user request (with the *Start* bit). As shown in [Figure 16](#), the conversion time is also T_{CONV} .

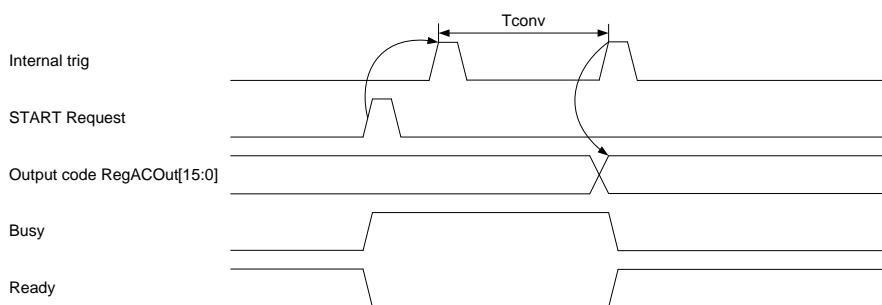


Figure 16. ADC "On-Request" Operation

7.7.8 Output Code Format

The ADC output code is a 16-bit word in two's complement format (see [Table 18](#)). For input voltages outside the range, the output code is saturated to the closest full-scale value (i.e. 0x7FFF or 0x8000). For resolutions smaller than 16 bits, the non-significant bits are forced to the values shown in [Table 19](#). The output code, expressed in *LSBs*, corresponds to:

$$OUT_{ADC} = 2^{16} \cdot \frac{V_{IN,ADC}}{V_{REF}} \cdot \frac{OSR + 1}{OSR}$$

Equation 18

Recalling [Equation 10](#), [page 24](#), this can be rewritten as:

$$OUT_{ADC} = 2^{16} \cdot \frac{V_{IN}}{V_{REF}} \cdot \left(GD_{TOT} - GD_{offTOT} \cdot S \cdot \frac{V_{REF}}{V_{IN}} \right) \cdot \frac{OSR + 1}{OSR} \quad [LSB]$$

Equation 19

where, from [Equation 11](#) and [Equation 12](#), the total PGA gain and offset are respectively:

$$GD_{TOT} = GD_3 \cdot GD_2 \cdot GD_1$$

Equation 20

and:

$$GDoff_{TOT} = GDoff_3 + GD_3 \cdot GDoff_2$$

Equation 21
Table 18. Basic ADC Relationships (example for: VREF = 5V, OSR = 512, n = 16bits)

ADC Input Voltage $V_{IN,ADC}$	% of Full Scale (FS)	Output in LSBs	Hexadecimal Output Code
+2.49505 V	+0.5 x FS	$+2^{15}-1 = 32'767$	7FFF
+2.49497 V	...	$+2^{15}-2 = 32'766$	7FFE
...
+76.145 μ V	...	+1	0001
0	0	0	0000
-76.145 μ V	...	-1	FFFF
...
-2.49505 V	...	$-2^{15}-1 = -32'767$	8001
-2.49513 V	-0.5 x FS	$-2^{15} = -32'768$	8000

Table 19. Last forced LSBs in conversion output register for resolution settings smaller than 16bits¹

SetOsr[2:0]	SetNelconv = '00'	SetNelconv = '01'	SetNelconv = '10'	SetNelconv = '11'
'000'	1000000000	100000000	10000000	1000000
'001'	100000000	10000000	100000	10000
'010'	100000	10000	1000	100
'011'	1000	100	10	1
'100'	10	1	-	-
'101'	-	-	-	-
'110'	-	-	-	-
'111'	-	-	-	-

1. (n<16) (RegACOutMsb[7:0] & RegACOutLsb[7:0])

The equivalent *LSB* size at the input of the *PGA* chain is:

$$LSB = \frac{1}{2^n} \cdot \frac{V_{REF}}{GD_{TOT}} \cdot \frac{OSR}{OSR + 1} \quad [V/V]$$

Equation 22

Notice that the input voltage $V_{IN,ADC}$ of the *ADC* must satisfy the condition:

$$|V_{IN,ADC}| \leq \frac{1}{2} \cdot (V_{REFP} - V_{REFN}) \cdot \frac{OSR}{OSR + 1}$$

Equation 23

to remain within the *ADC* input range.

7.7.9 Power Saving Modes

During low-speed operation, the bias current in the *PGAs* and *ADC* can be programmed to save power using the control words *IbAmpPga[1:0]* and *IbAmpAdc[1:0]* (see [Table 20](#)). If the system is idle, the *PGAs* and *ADC* can even be disabled, thus, reducing power consumption to its minimum. This can considerably improve battery lifetime.

Table 20. ADC & PGA power saving modes and maximum sampling frequency

IbAmpAdc [1:0]	IbAmpPga [1:0]	ADC Bias Current	PGA Bias Current	Max. fs [kHz]
00		1/4 x I _{ADC}		125
01		1/2 x I _{ADC}		250
11		I _{ADC}		500
	00		1/4 x I _{PGA}	125
	01		1/2 x I _{PGA}	250
	11		I _{PGA}	500

8 Application hints

8.1 Power Reduction

The ZoomingADC is particularly well suited for low-power applications. When very low power consumption is of primary concern, such as in battery operated systems, several parameters can be used to reduce power consumption as follows:

- Operate the acquisition chain with a reduced supply voltage V_{BATT} .
- Disable the *PGAs* which are not used during analog-to-digital conversion with *Enable[3:0]*.
- Disable all *PGAs* and the *ADC* when the system is idle and no conversion is performed.
- Use lower bias currents in the *PGAs* and the *ADC* using the control words *IbAmpPga[1:0]* and *IbAmpAdc[1:0]*.
- Reduce sampling frequency.

Finally, remember that power reduction is typically traded off with reduced linearity, larger noise and slower maximum sampling speed.

8.2 Gain Configuration Flow

The diagram below shows the flow to set the gain of your configuration:

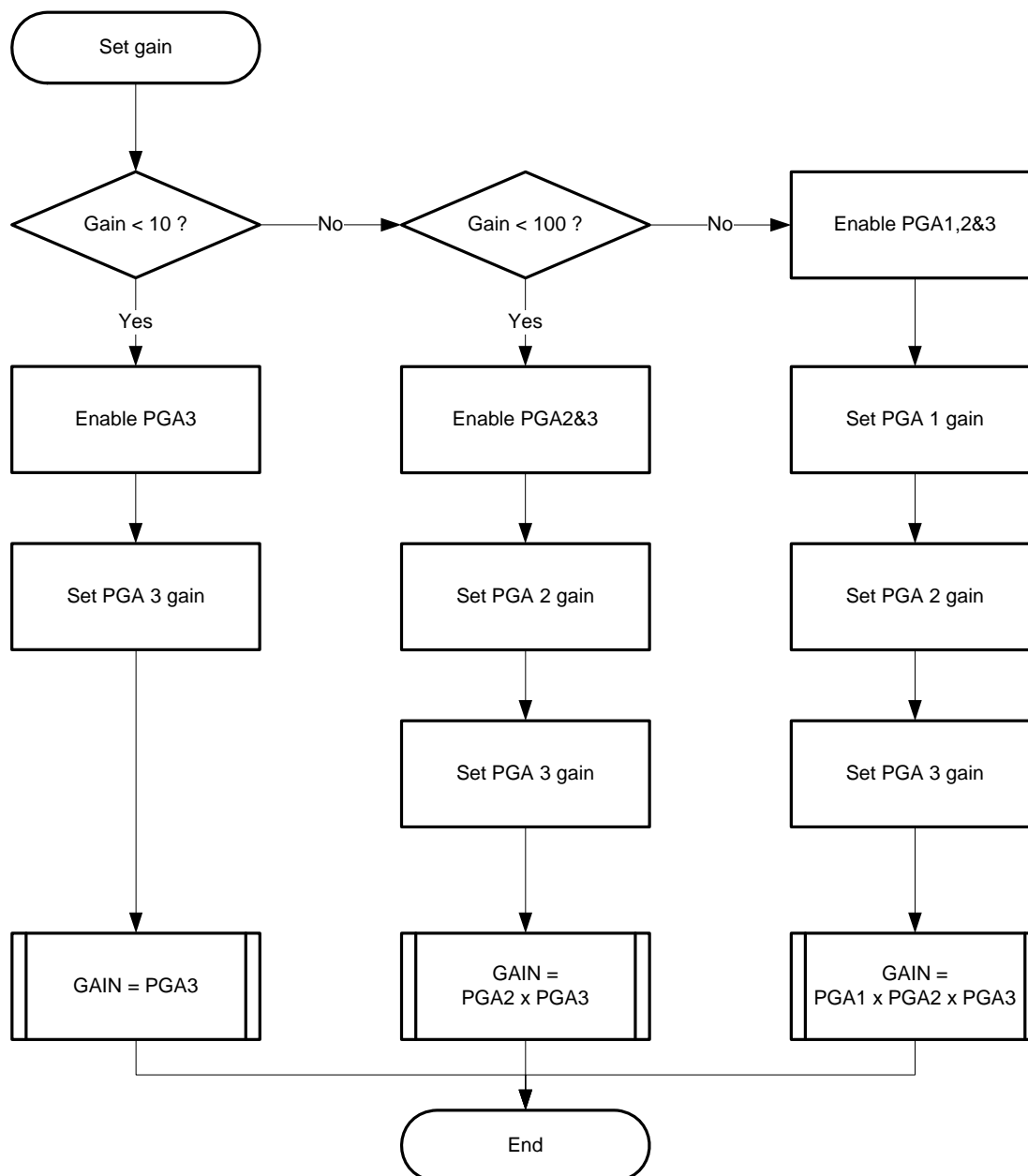


Figure 17. Gain configuration flowchart

9 SPI interface

9.1 Overview

The SX8724S serial port interface implements the following:

- 4-pin Interface + options for synchronization to ADC sample ready
- 7-bit Target Address (max 128 registers)
- 2 Mbps serial clock
- MSB first

The serial interface is a slave port for communication with a serial microprocessor bus, allowing the SX8724S to be controlled by an external processor. The serial interface header must be connected to the host processor, which acts as the master.

The serial interface signals are:

- **SCLK:** Serial **C**lock
- \overline{SS} : Active low **S**lave **S**elect
- **MISO/READY:** **M**aster **I**nput, **S**lave **O**utput (data out) and optional active low ADC data **R**eady signal.
- **MOSI:** **M**aster **O**utput, **S**lave **I**nput.

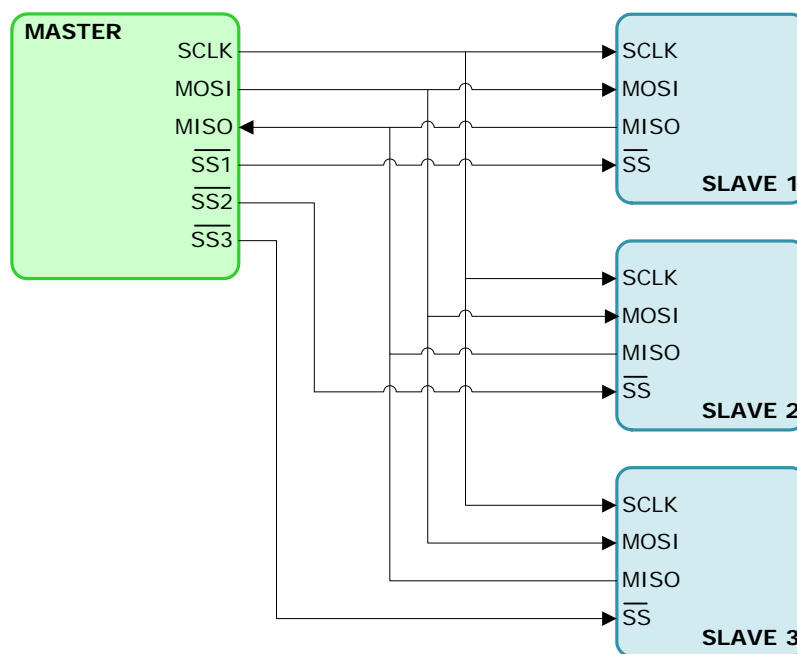


Figure 18. Example of SPI bus with 1 master and 3 slaves

The address and data are transmitted and received MSB first. Valid read/write accesses are possible only when \overline{SS} is active. *MISO* and *MOSI* lines are push-pull pads. As the waveforms illustrate (see below), the slave interface implements a 16-bit shift register. The SPI implemented on the SX8724S is set to the common setting CPOL=0 and CPHA=0 which means data are sampled on the rising edge of the clock, and shifted on the falling one.

The first bit in the serial data is the Direction Bit. This must be set to '1' for reading, and '0' for writing. The following 7 bits represent the target register address, shifted in MSB first. The next byte represents register data, shifted in/out MSB first.

9.2 Data transmission

9.2.1 Write a single register

To write to a register, the Host must provide the following:

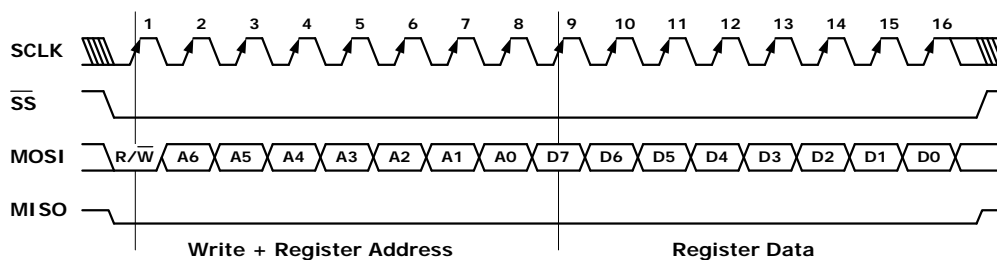


Figure 19. SPI waveform - Write a single register

9.2.2 Read a single register

To read a register from the memory map, the Host must provide the following:

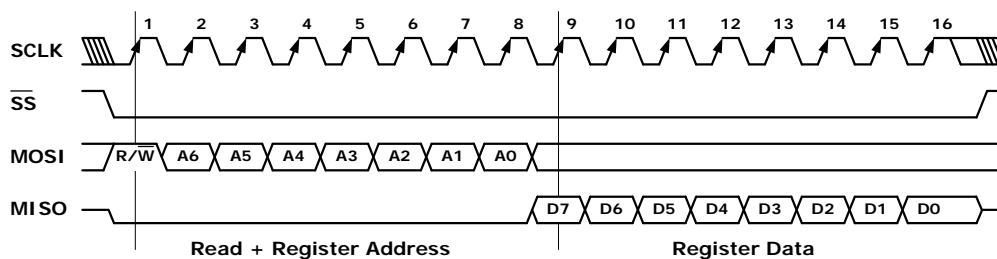


Figure 20. SPI waveform - Read a single register

9.2.3 Multiple Bytes Write/Read Protocol

The SPI protocol is designed to be able to do multiple read/write during a transaction. During one single operation, as long as Slave Select (\overline{SS}) stay asserted, the register address is automatically increased to allow sequential read/write (or sequential retrieval of data). The register address will be auto-incremented in multiple read/write commands. Between each different operation though the communication should be restarted.

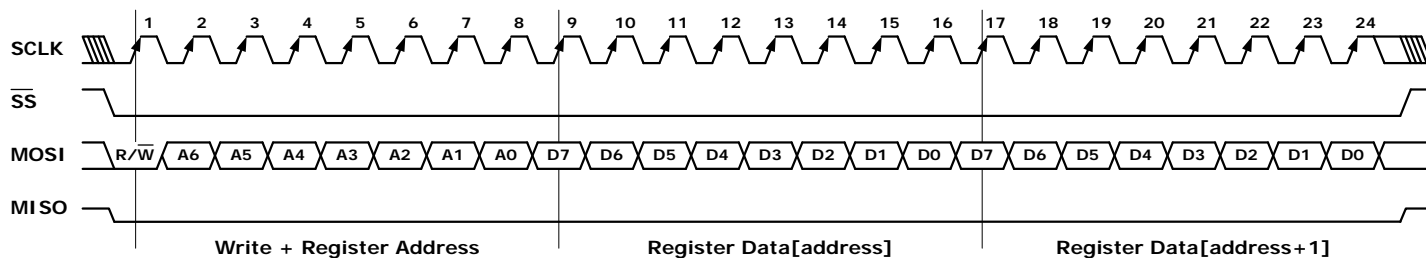


Figure 21. SPI waveform - Multiple bytes SPI Write protocol (2 bytes example)

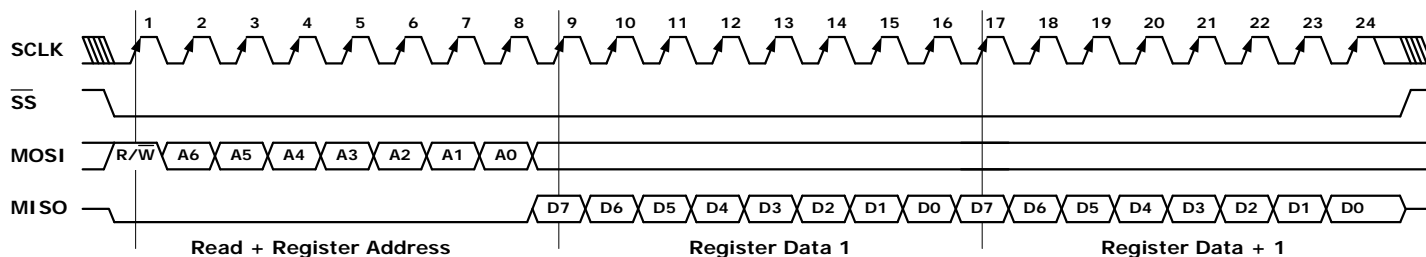


Figure 22. SPI waveform - Multiple bytes SPI Read protocol (2 bytes example)

9.3 ADC Samples Reading

- The default SPI mode the ADC samples must be read with the default SPI read sequences described in **9.2. Data transmission**.
- The SAMPLE SHIFT mode allow to read directly the 16-bit conversion result of **RegACOutLsb[0x50]** and **RegACOutMsb[0x51]** without a register read sequence. This mode is described in **9.3.1. SAMPLE SHIFT Mode**.
- The COMBINED DATA READY mode is a SAMPLE SHIFT mode which combines the ADC Ready function with the SPI MISO signal to reduce the number of wires to 4 between the master and the slave. This mode is described in **9.3.2. COMBINED DATA READY Mode** section.

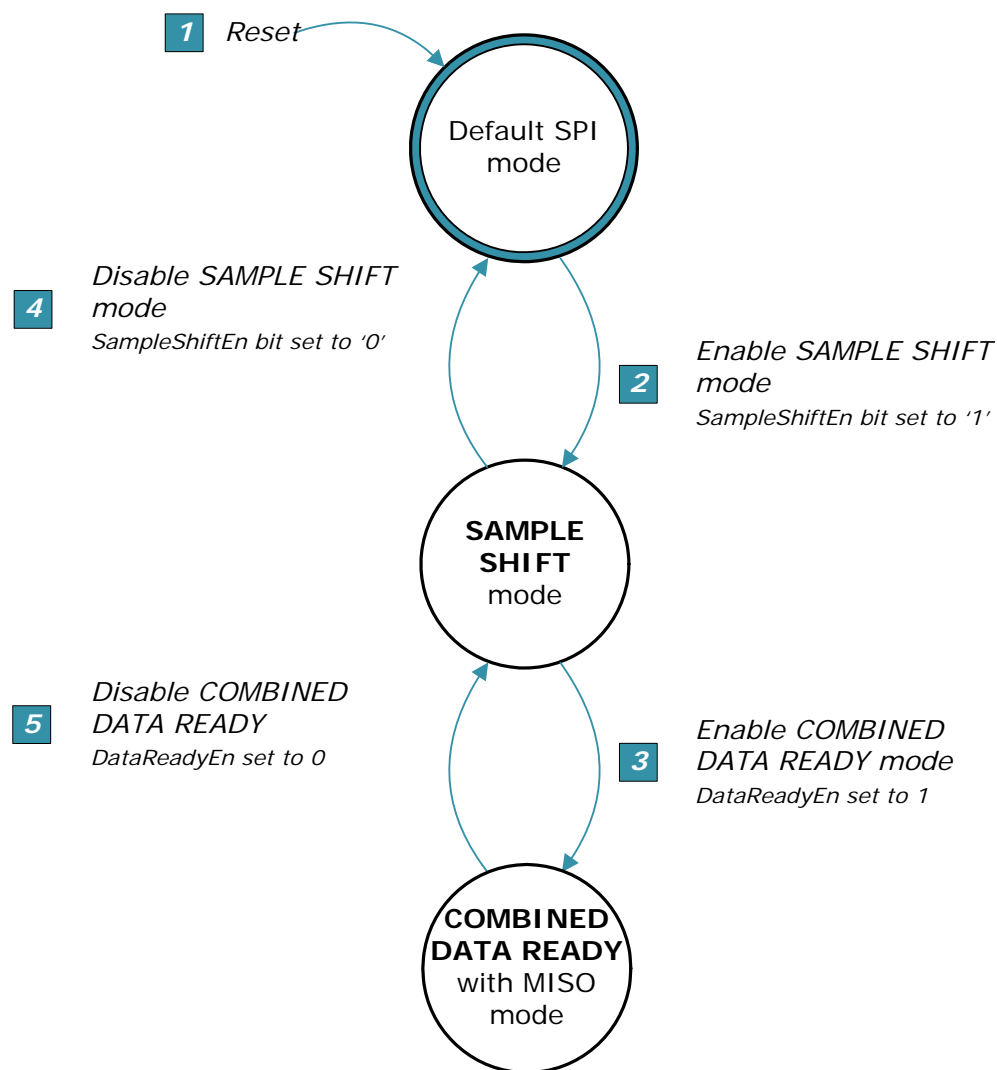


Figure 23. ADC samples reading modes with the SPI interface

When the device is in Sample Shift Mode or Combined Data Ready mode, the register reading will give erroneous data. Always disable the Sample Shift Mode and Combined Data Ready mode to read the registers.

9.3.1 SAMPLE SHIFT Mode

If the *SampleShiftEn* bit of **RegACCFg0[0x52]** is active, the MISO/ $\overline{\text{READY}}$ pin is used to shift out ADC samples data. These samples are clocked out at falling edge of SCLK, MSB first (see **Figure 24** below).

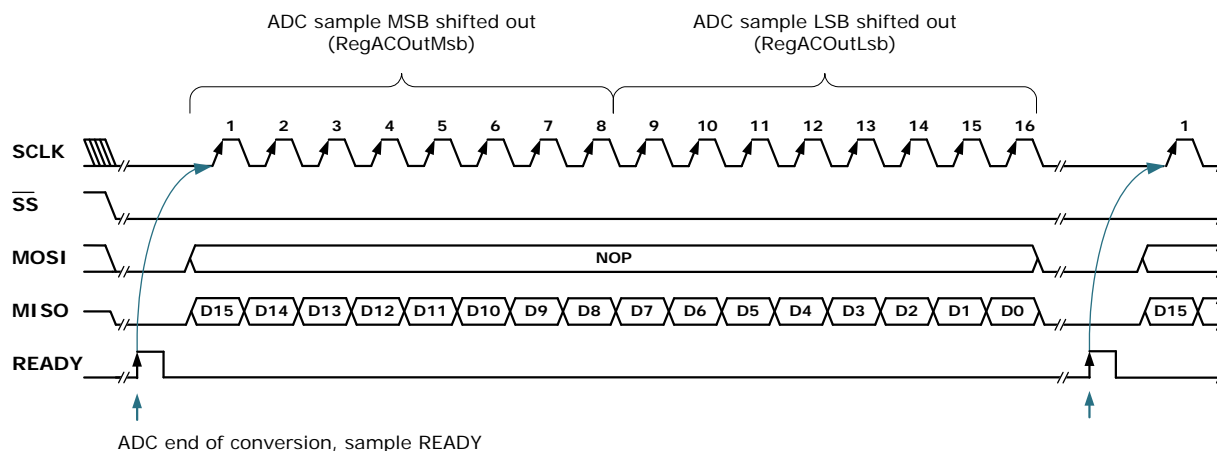


Figure 24. Data Retrieval with the SAMPLE SHIFT Mode (COMBINED DATA READY Mode Disabled)

As illustrated in **Figure 25**, five wires are necessary to connect the master in this mode if to be synchronized to the ADC end of conversion.

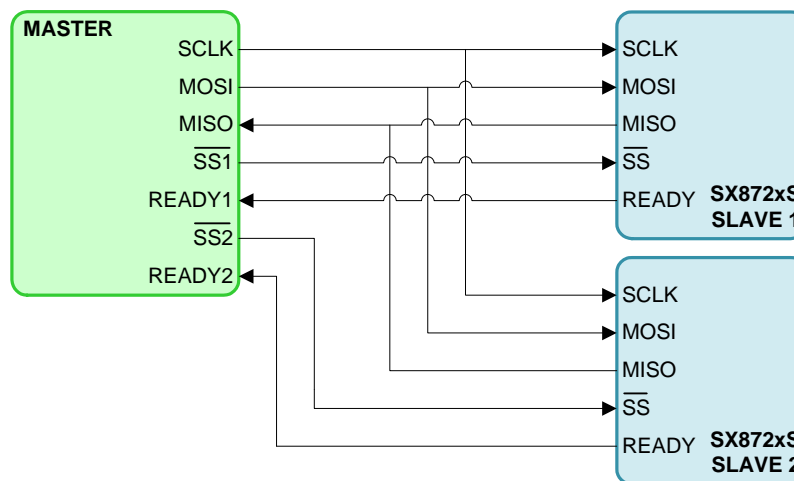


Figure 25. Example with two SX872xS slaves

When the *DataReady* bit is set to '0', this pin functions as MISO only. The COMBINED DATA READY mode is disabled.

9.3.2 COMBINED DATA READY Mode

This combined functionality allows for the same control as the SAMPLE SHIFT mode but with fewer pins. Samples shifted out (MISO) are combined with ADC data ready signal ($\overline{\text{READY}}$). The *DataReadyEn* bit in register **RegACCFg4[0x56]** determines the function of this pin. As illustrated in **Figure 26**, four wires are necessary to connect

the master in this mode if to be synchronized to the ADC end of conversion. The *DataReadyEn* bit modifies only the *MISO/READY* pin functionality. The *READY* pin functionality remains unaffected. In either mode, the *MISO/READY* pin goes to a high-impedance state when \overline{SS} is taken high.

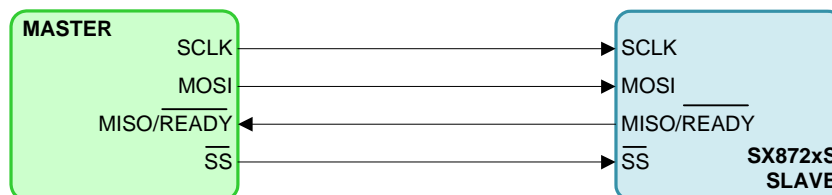


Figure 26. Example of 4-wire Slave

When the *DataReadyEn* bit in **RegACCFg4[0x56]** register is set to '1', this pin functions as both *MISO* and \overline{READY} . Data are shifted out from this pin, MSB first, at the falling edge of *SCLK*. When the *DataReadyModeEn* bit is enabled and a new conversion is complete, *MISO/READY* goes low if it is high. If it is already low, then *MISO/READY* goes high and then goes low (see **Figure 27** below).

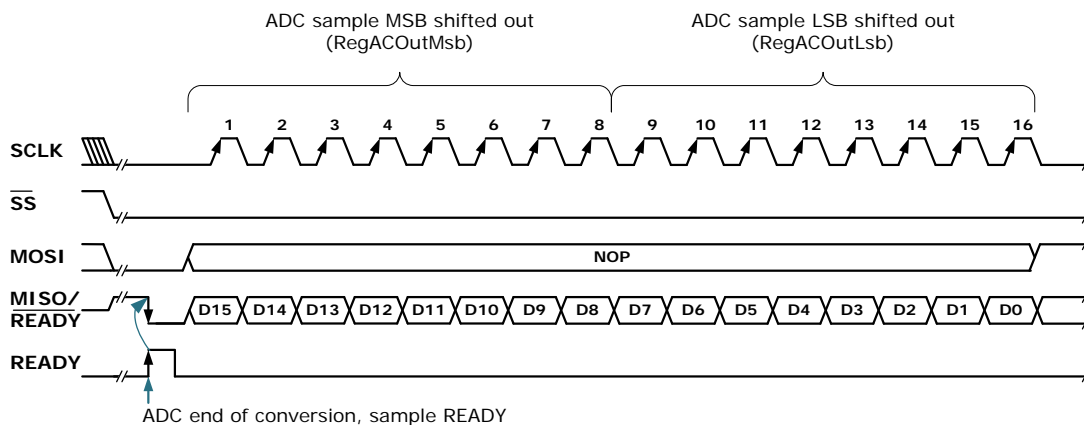


Figure 27. Data Retrieval with the COMBINED DATA READY mode enabled

Similar to the *READY* pin (but with opposite polarity), a falling edge on the *MISO/READY* pin signals that a new conversion result is ready. After *MISO/READY* goes low, the data can be clocked out by providing 16 clocks pulses on *SCLK*.

In order to force *MISO/READY* high (so that *MISO/READY* can be polled for a '0' instead of waiting for a falling edge), a no operation command (NOP) or any other command that does not load the data output register can be sent after

reading out the data. The $\overline{MISO/READY}$ pin goes high after the first rising edge of $SCLK$ after reading the conversion result completely (see [Figure 28](#) below).

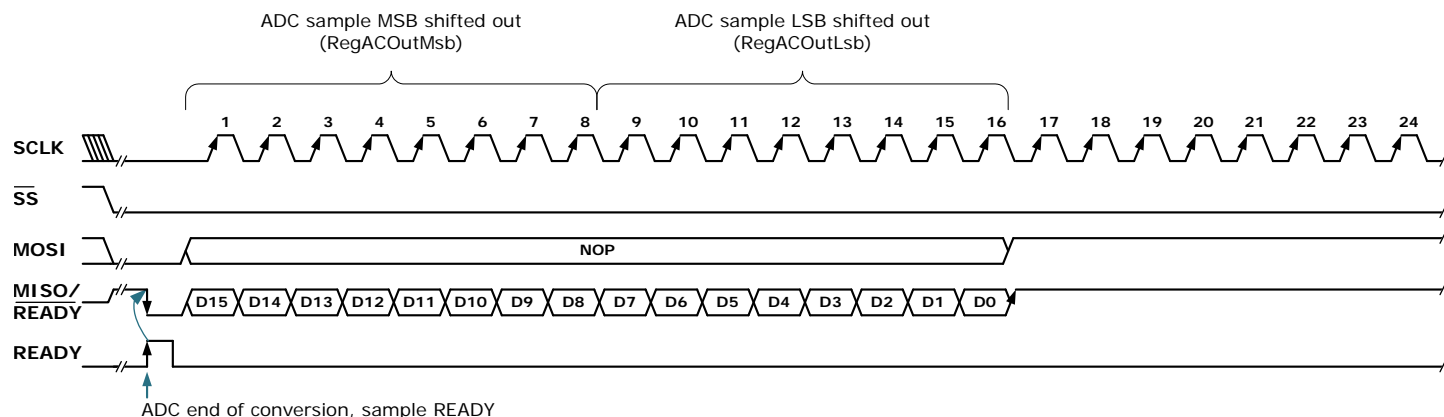


Figure 28. $\overline{MISO/READY}$ Forced High After Retrieving the Conversion Result

The same condition also applies after a Read Register command. After all the register bits have been read out, the rising edge of $SCLK$ forces $\overline{MISO/READY}$ high.

The Combined Data Ready mode must not be used with more than one slave.

To get the interruption on MISO pin, \overline{SS} should be set to low during all the duration of the Combined Data Ready mode. In Combined Data Ready mode, MISO is set to high after the data reception.

9.4 Chip Start Detection with Slave Select Pin

At power-up or after a soft reset, \overline{SS} pin is set to output low during the chip initialization (~250us). If the host \overline{SS} pin is configured at an input pulled high during the power-up sequence, it can detect the SX8724S effective start.

Note that if the host pin has a default output high logical level during the power-up or reset sequences this output it will create a short circuit. Therefore, a resistor should be put on the line to ensure that no current spikes are generated.

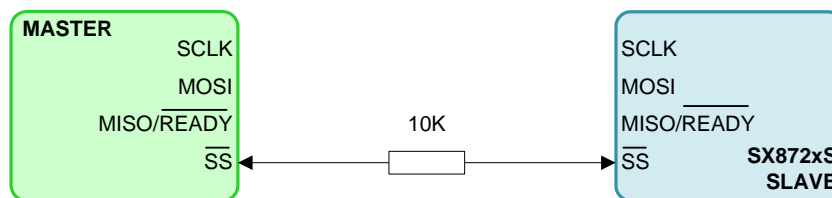


Figure 29. Set a resistor if the host is a high logical level during the startup or the reset

The best value for \overline{SS} resistor should be between 1 k Ω and 10 k Ω . In that range, the current spike is completely avoided and the falling/rising time is ensured.

On **Figure 30** the SPI master uses a separate input for startup status reading. The master \overline{SS} pin is always configured as output for SPI Slave Select. As in the precedent figure, the resistor on the line to ensure that no current spikes are generated when Master and Slave \overline{SS} pins are both configured as outputs during a startup sequence.

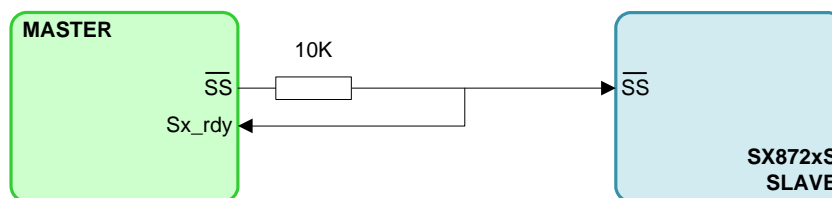


Figure 30. SPI Master using a separate input for startup status reading

9.5 Improving Noise Immunity

Noise may cause incorrect device operation and incorrect data reception. Careful circuit design and PCB layout prevents much of the problems. Noise immunity can be improved using the following methods:

- Keep SPI lines on the PCB away from noisy lines and devices such as switchers.
- Terminate SPI lines at the device using termination resistors as shown in **Figure 31**.

The recommended value for these resistors is around $100\ \Omega$.

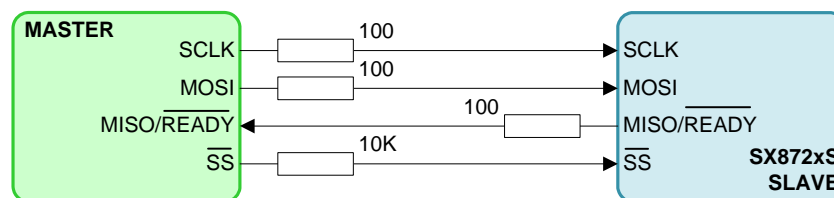


Figure 31. Resistors to improve noise immunity between master and slave

The SCLK, MISO, MOSI and \overline{SS} lines can also be decoupled with capacitors to increase noise performance. The values of R and C then depend on the transmission speed of the SPI bus. For a transmission speed of around 100 kHz, an R of $100\ \Omega$ and C of 1 nF is suggested. For higher transmission speeds, the values of R and C should be reduced accordingly. But if the operating environment is very noisy, larger values of R and C must be selected, and the transmission speed should be reduced.

10 Register Memory Map and Description

10.1 Register Map

Table 21 below describes the register/memory map that can be accessed through the SPI interface. It indicates the register name, register address and the register contents.

Table 21. Register Map

Address	Register	Bit	Description
RC Register			
0x30	<i>RegRCen</i>	1	RC oscillator control
GPIO Registers			
0x40	<i>RegOut</i>	8	D0 and D1 pads data output and direction control
0x41	<i>RegIn</i>	4	D0 and D1 pads input data
0x44	<i>RegSoftReset</i>		SPI software reset
ADC Registers			
0x50	<i>RegACOutLsb</i>	8	LSB of ADC result
0x51	<i>RegACOutMsb</i>	8	MSB of ADC result
0x52	<i>RegACCfg0</i>	8	ADC conversion control
0x53	<i>RegACCfg1</i>	8	ADC conversion control
0x54	<i>RegACCfg2</i>	8	ADC conversion control
0x55	<i>RegACCfg3</i>	8	ADC conversion control
0x56	<i>RegACCfg4</i>	8	ADC conversion control
0x57	<i>RegACCfg5</i>	8	ADC conversion control
Mode Register			
0x70	<i>RegMode</i>	8	Chip operating mode register

10.2 Registers Descriptions

The register descriptions are presented here in ascending order of Register Address. Some registers carry several individual data fields of various sizes; from single-bit values (e.g. flags), upwards. Some data fields are spread across multiple registers. After power on reset the registers will have the values indicated in the tables "Reset" column. Please write the "Reserved" bits with their reset values.

10.2.1 RC Register

Table 22. RegRCen[0x30]

Bit	Bit Name	Mode	Reset	Description
7:1	-	r	0000000	Reserved
0	<i>RCEn</i>	rw	1	Enables RC oscillator. Set 0 for low power mode.

10.2.2 GPIO Registers

Table 23. RegOut[0x40]

Bit	Bit Name	Mode	Reset	Description
7:6	-	r	11	Reserved
5	<i>D1Dir</i>	rw	1	D1 pad direction. 1 : Output 0 : Input
4	<i>D0Dir</i>	rw	1	D0 pad direction. 1 : Output 0 : Input
3:2	-	rw	00	Reserved
1	<i>D1Out</i>	rw	0	D1 pad output value. Only valid when <i>D1Dir</i> =1 and <i>VrefD1In</i> =0. See also Table 34, page 48 .
0	<i>D0Out</i>	rw	0	D0 pad output value. Only valid when <i>D0Dir</i> =1 and <i>VrefD1Out</i> =0. See also Table 34, page 48 .

Table 24. RegIn[0x41]

Bit	Bit Name	Mode	Reset	Description
7:2	-	r	0000	Reserved
1	<i>D1In</i>	r	-	D1 pad value
0	<i>D0In</i>	r	-	D0 pad value

10.2.3 Software reset register

Table 25. RegSoftReset[0x44]

Bit	Name	Mode	Reset	Description
7:0	<i>SoftReset</i>	rw	00000000	Write the 0xDE (b11011110) value into this register to reset the device.

10.2.4 ZADC Registers

Table 26. RegACOutLsb[0x50]

Bit	Name	Mode	Reset	Description
7:0	<i>Out[7:0]</i>	r	00000000	LSB of the ADC result

Table 27. RegACOutMsb[0x51]

Bit	Name	Mode	Reset	Description
7:0	<i>Out[15:8]</i>	r	00000000	MSB of the ADC result

Table 28. RegACCfg0[0x52]

Bit	Name	Mode	Reset	Description
7	<i>Start</i>	rw	0	Starts an ADC conversion
6:5	<i>SetNelconv</i>	rw	01	Sets the number of elementary conversion to $2^{\text{SetNelconv}}$. To compensate for offset the signal is chopped between elementary conversion.
4:2	<i>SetOsr</i>	rw	010	Sets the ADC over-sampling rate of an elementary conversion to $2^{3+\text{SetOsr}}$.
1	<i>Continuous</i>	rw	0	Sets the continuous ADC conversion mode
0	<i>SampleShiftEn</i>	rw	0	ADC samples can be read directly on the SPI See section 9.3.1, page 39 .

Table 29. RegACCfg1[0x53]

Bit	Name	Mode	Reset	Description
7:6	<i>IbAmpAdc</i>	rw	11	Bias current selection for the ADC
5:4	<i>IbAmpPga</i>	rw	11	Bias current selection for the PGA
3	<i>Enable</i>	rw	0	PGA3 enable
2		rw	0	PGA2 enable
1		rw	0	PGA1 enable
0		rw	0	ADC enable

Table 30. RegACCfg2[0x54]

Bit	Name	Mode	Reset	Description
7:6	<i>SetFs</i>	rw	00	ADC Sampling Frequency selection
5:4	<i>Pga2Gain</i>	rw	00	PGA2 gain selection
3:0	<i>Pga2Offset</i>	rw	0000	PGA2 offset selection

Table 31. RegACCfg3[0x55]

Bit	Name	Mode	Reset	Description
7	<i>Pga1Gain</i>	rw	0	PGA1 gain selection
6:0	<i>Pga3Gain</i>	rw	0001100	PGA3 gain selection

Table 32. RegACCfg4[0x56]

Bit	Name	Mode	Reset	Description
7	<i>DataReadyEn</i>	rw	0	Combined SPI MISO and ADC Data Ready signal. 0 : Combined Data Ready mode disabled 1 : Combined Data Ready mode enabled See section 9.3.2, page 39 .
6:0	<i>Pga3Offset</i>	rw	0000000	PGA3 offset selection

Table 33. RegACCfg5[0x57]

Bit	Name	Mode	Reset	Description
7	<i>Busy</i>	r	0	ADC activity flag
6	<i>Def</i>	rw	0	Selects ADC and PGA default configuration, starts an ADC conversion
5:1	<i>Amux</i>	rw	00000	Input channel configuration selector
0	<i>Vmux</i>	rw	0	Reference channel selector 0 : VBATT 1 : VREF

10.2.5 Mode Registers

Table 34. RegMode[0x70]

Bit	Name	Mode	Reset	Description
7	-	r	1	reserved
6	-	r	0	reserved
5:4	<i>Chopper</i>	rw	00	VREF chopping control. Note 1 11 : Chop at NELCONV/2 rate 10 : Chop at NELCONV rate 01 : Chop state=1 00 : Chop state=0
3	<i>MultForceOn</i>	rw	0	Force charge pump On. Takes priority. Note 2
2	<i>MultForceOff</i>	rw	1	Force charge pump Off. Note 2
1	<i>VrefD0Out</i>	rw	0	Enable VREF output on D0 pin
0	<i>VrefD1In</i>	rw	0	Enable external VREF on D1 pin

- (1) The chop control is to allow chopping of the internal bandgap reference. This may be useful to help eliminate bandgap related internal offset voltage and 1/f noise. The bandgap chop state may be forced High or Low, or may be set to toggle during conversion at either the same rate or half the rate of the Elementary Conversion. (See Conversion Sequence in the ZoomingADC description).
- (2) The internal charge pump may be forced On when V_{BATT} supply is below 3V or Off when V_{BATT} supply is above 3V. Enabling the charge pump increase the current consumption. If the ADC is not being run at full rate or full accuracy then it may operate sufficiently well when V_{BATT} is less than 3V and internal charge pump forced Off.

11 Typical Performances

Note The graphs and tables provided following this note are statistical summary based on limited number of samples and are provided for informational purposes only. The performance characteristics listed herein are not tested or guaranteed. In some graphs or tables, the data presented may be outside the specified operating range and therefore outside the warranted range.

11.1 Input impedance

The PGAs of the ZoomingADC are a switched capacitor based blocks (see Switched Capacitor Principle section). This means that it does not use resistors to fix gains, but capacitors and switches. This has important implications on the nature of the input impedance of the block.

Using switched capacitors is the reason why, while a conversion is done, the input impedance on the selected channel of the PGAs is inversely proportional to the sampling frequency f_s and to stage gain as given in [Equation 24](#).

$$Z_{in} \geq \frac{1}{(C_g \cdot gain + C_p)} \quad [\Omega]$$

Equation 24

The input impedance observed is the input impedance of the first PGA stage that is enabled or the input impedance of the ADC if all three stages are disabled.

C_g multiplied by $gain$ is the equivalent gain capacitor and C_p is the parasitic capacitor of the first enabled stage. The values for each ZoomingADC bloc are provided in [Table 35](#):

Table 35. Capacitor values

Acquisition Chain Stage	Gain capacitor C_g	Parasitic capacitor C_p	Units
PGA1	0.45	1.04	pF
PGA2	0.54	1.5	pF
PGA3	0.775	1.8	pF
ADC	2.67		pF

Table 35 gives typical impedance values for various gain configurations.

Table 36. Typical Input Impedances

Z _{IN} [MΩ]		PGA1 gain		PGA2 gain				PGA3 gain				
		1	10	1	2	5	10	1	2	4	8	10
f _s [kHz]	62.5	10.26	2.59	7.95	5.05	2.84	2.24	6.25	4.32	2.86	1.87	1.63
	125	5.14	1.30	3.99	2.54	1.44	1.11	3.13	2.16	1.43	0.94	0.82
	250	2.57	0.65	1.98	1.26	0.71	0.56	1.56	1.08	0.72	0.47	0.41
	500	1.29	0.32	0.99	0.63	0.36	0.28	0.78	0.54	0.36	0.24	0.21

PGA1 (with a gain of 10) and PGA2 (with a gain of 10) have each a minimum input impedance of 300 kΩ at f_s = 500 kHz. PGA3 (with a gain of 10) have a minimum input impedance of 250 kΩ at f_s = 500 kHz.

Larger input impedance can be obtained by reducing the gain and/or by reducing the over-sampling frequency f_s. Therefore, with a gain of 1 and a sampling frequency of 62.5 kHz, Z_{in} > 10.2 MΩ for PGA1.

The input impedance on channels that are not selected is very high (>10MΩ).

11.1.1 Switched Capacitor Principle

Basically, a switched capacitor is a way to emulate a resistor by using a capacitor. The capacitors are much easier to realize on CMOS technologies and they show a very good matching precision.

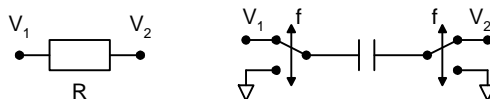


Figure 32. The Switched Capacitor Principle

A resistor is characterized by the current that flows through it (positive current leaves node V₁):

$$I = \frac{V_1 - V_2}{R} \quad [A]$$

Equation 25

One can verify that the mean current leaving node V₁ with a capacitor switched at frequency f is:

$$\langle I \rangle = (V_1 - V_2) \cdot C \quad [A]$$

Equation 26

Therefore as a mean value, the switched capacitor $1/(f \times C)$ is equivalent to a resistor. It is important to consider that this is only a mean value. If the current is not integrated (low impedance source), the impedance is infinite during the whole time but the transition.

What does it mean for the ZoomingADC?

If the f_s clock is reduced, the mean impedance is increased. By dividing the f_s clock by a factor 10, the impedance is increased by a factor 10.

One can reduce the capacitor that is switched by using an amplifier set to its minimal gain. In particular if *PGA1* is used with gain 1, its mean impedance is 10x bigger than when it is used with gain 10.

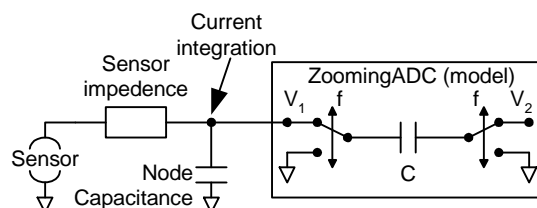


Figure 33. The Switched Capacitor Principle

One can increase the effective impedance by increasing the electrical bandwidth of the sensor node so that the switching current is absorbed through the sensor before the switching period is over. Measuring the sensor node will show short voltage spikes at the frequency f_s , but these will not influence the measurement. Whereas if the bandwidth of the node is lower, no spikes will arise, but a small offset can be generated by the integration of the charges generated by the switched capacitors, this corresponds to the mean impedance effect.

Notes:

- (1) One can increase the mean input impedance of the ZoomingADC by lowering the acquisition clock f_s .
- (2) One can increase the mean input impedance of the ZoomingADC by decreasing the gain of the first enabled amplifier.
- (3) One can increase the effective input impedance of the ZoomingADC by having a source with a high electrical bandwidth (sensor electrical bandwidth much higher than f_s).

11.2 Frequency Response

The incremental ADC is an over-sampled converter with two main blocks: an analog modulator and a low-pass digital filter. The main function of the digital filter is to remove the quantization noise introduced by the modulator. This filter determines the frequency response of the transfer function between the output of the ADC and the analog input V_{IN} . Notice that the frequency axes are normalized to one elementary conversion period OSR / f_s . The plots of [Figure 34, page 53](#) also show that the frequency response changes with the number of elementary conversions N_{ELCONV} performed. In particular, notches appear for $N_{ELCONV} \geq 2$. These notches occur at:

$$f_{NOTCH} = \frac{i \cdot f_s}{OSR \cdot N_{ELCONV}} \quad \text{For} \quad i = 1, 2, \dots, (N_{ELCONV} - 1)$$

Equation 27

and are repeated every f_s / OSR .

Information on the location of these notches is particularly useful when specific frequencies must be filtered out by the acquisition system. This chip has no dedicated 50/60 Hz rejection filtering but some rejection can be achieved by using [Equation 27](#) and setting the appropriate values of OSR , f_s and N_{ELCONV} .

Table 37. 50/60 Hz Line Rejection Examples

Rejection [Hz]	f _{NOTCH} [Hz]	f _s [kHz]	OSR [-]	N _{ELCONV} [-]
60	61	125	1024	2
	61	250	1024	4
	61	500	1024	8
50	53	62.5	1024	8
	46	62.5	1024	4
	46	125	1024	8

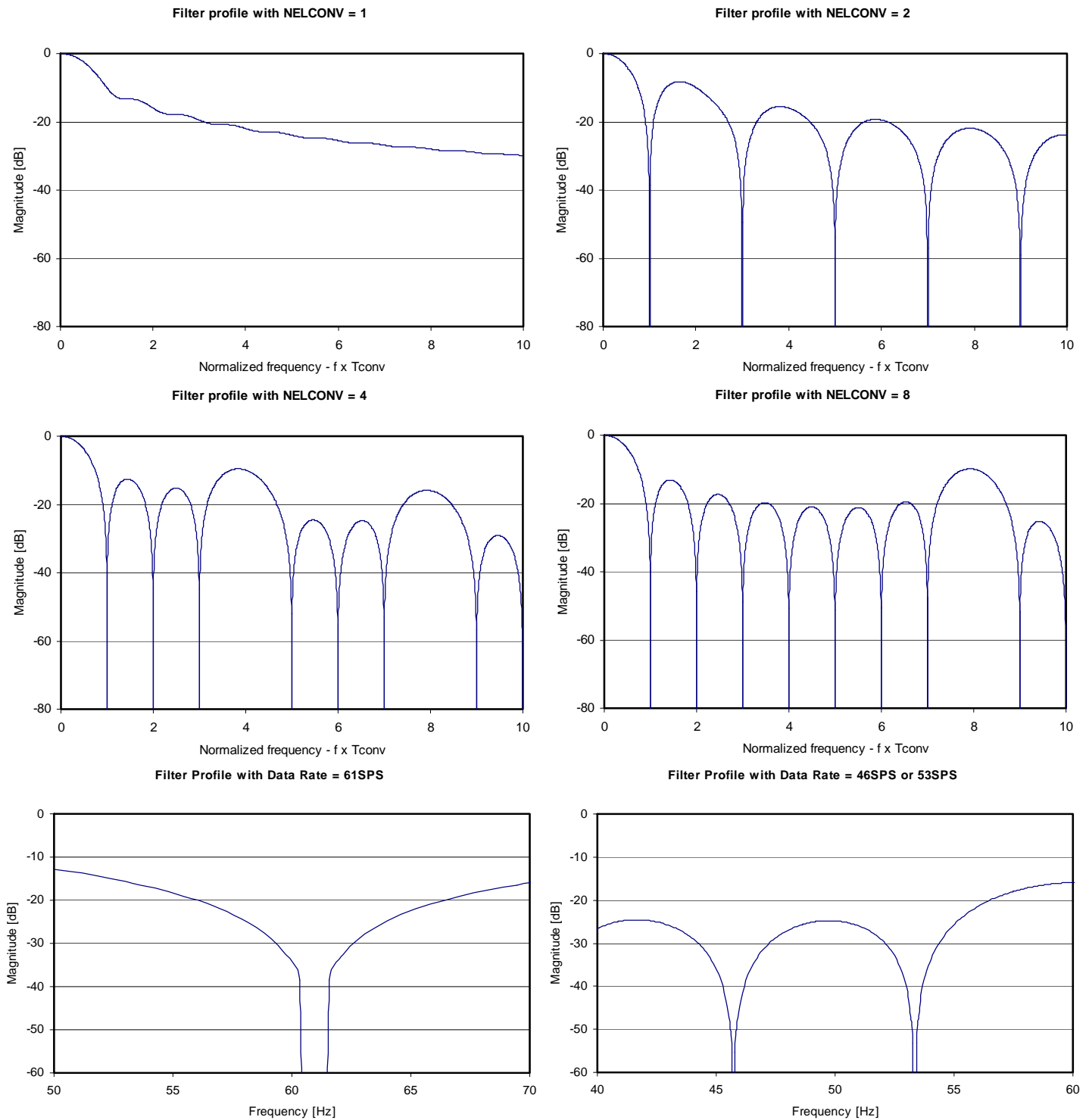


Figure 34. Frequency Response. Normalized Magnitude vs. Frequency for Different NELCONV

11.3 Linearity

11.3.1 Integral Non-Linearity

The different *PGA* stages have been designed to find the best compromise between the noise performance, the integral non-linearity and the power consumption. To obtain this, the first stage has the best noise performance and the third stage the best linearity performance. For large input signals (small *PGA* gains, i.e. up to about 50), the noise added by the *PGA* is very small with respect to the input signal and the second and third stage of the *PGA* should be used to get the best linearity. For small input signals (large gains, i.e. above 50), the noise level in the *PGA* is important and the first stage of the *PGA* should be used.

The following figures show the Integral non linearity for different gain settings over the chip temperature range

11.3.1.1 Gain 1

$V_{BATT}=5V$; $V_{REF}=V_{BATT}$; PGAs disabled; $OSR=1024$; $Nelconv=8$; $fs=250kHz$; Resolution=16bits.

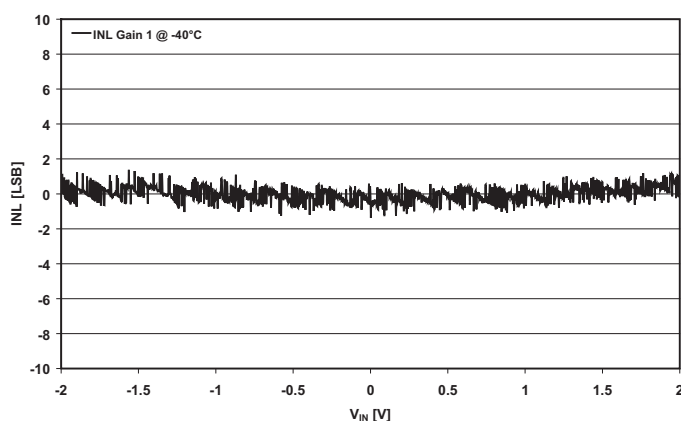


Figure 35. INL -40°C

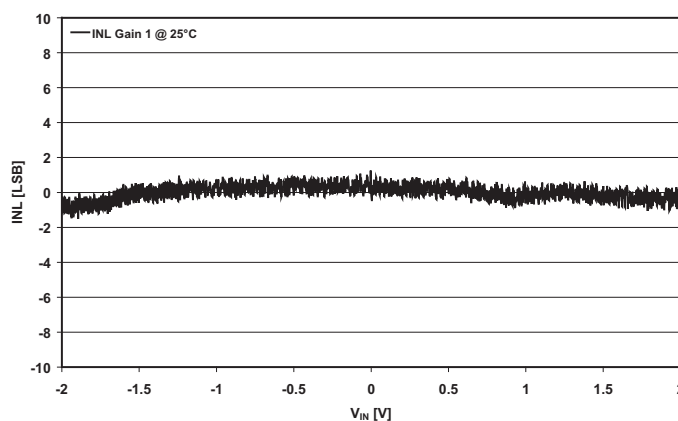


Figure 36. INL 25°C

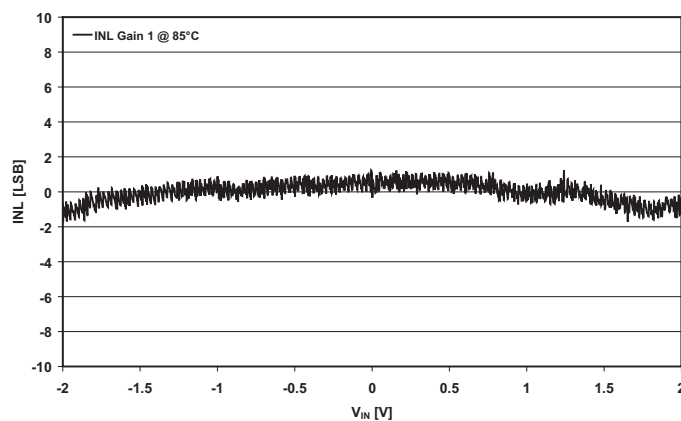


Figure 37. INL 85°C

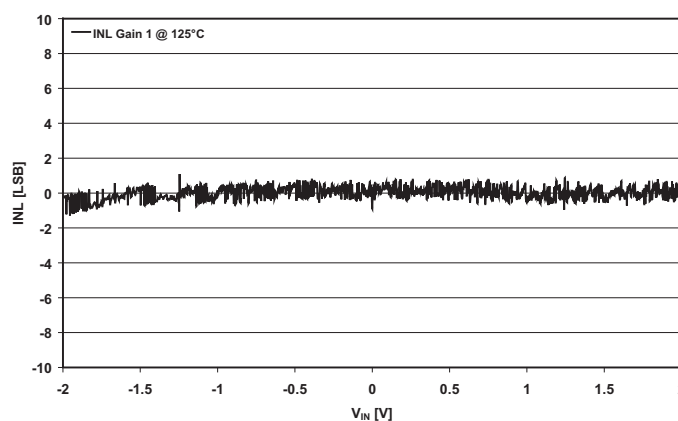


Figure 38. INL 125°C

11.3.1.2 Gain 10

VBATT=5V; VREF=VBATT; ADC and PGA3 enabled; GD3=10; OSR=1024; Nelconv=8; fs=250kHz; Resolution=16bits.

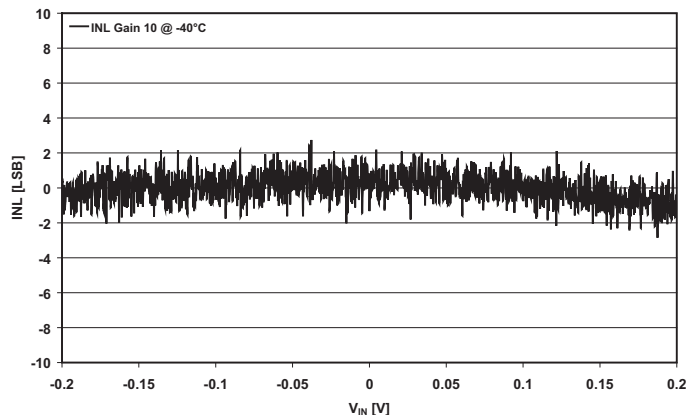


Figure 39. INL -40°C

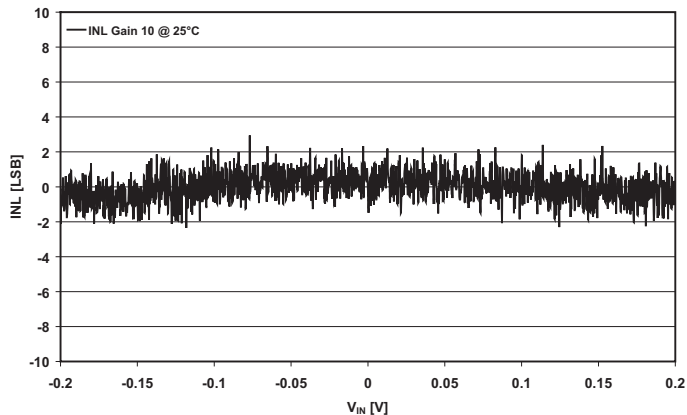


Figure 40. INL 25°C

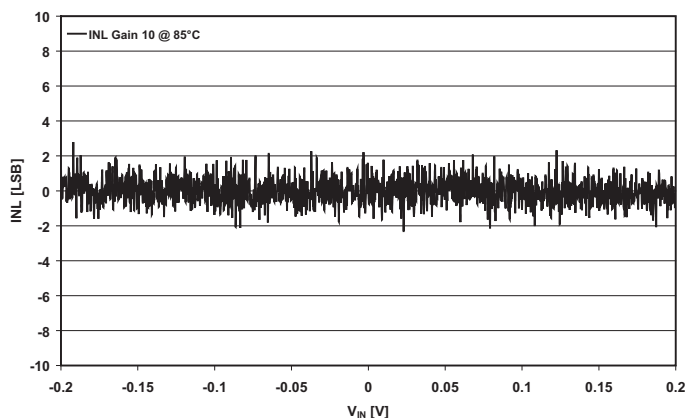


Figure 41. INL 85°C

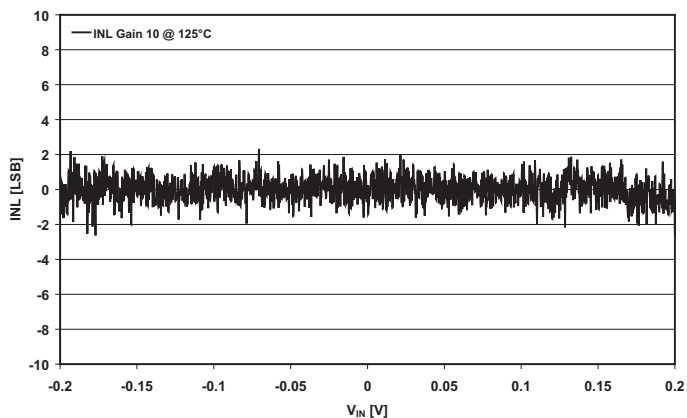


Figure 42. INL 125°C

11.3.1.3 Gain 100

VBATT=5V; VREF=VBATT; ADC, PGA2 and PGA3 enabled; GD2=10; GD3=10; OSR=1024; Nelconv=8; fs=250kHz; Resolution=16bits.

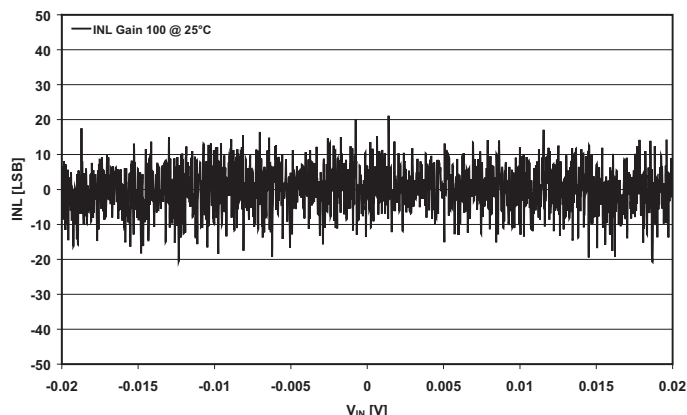
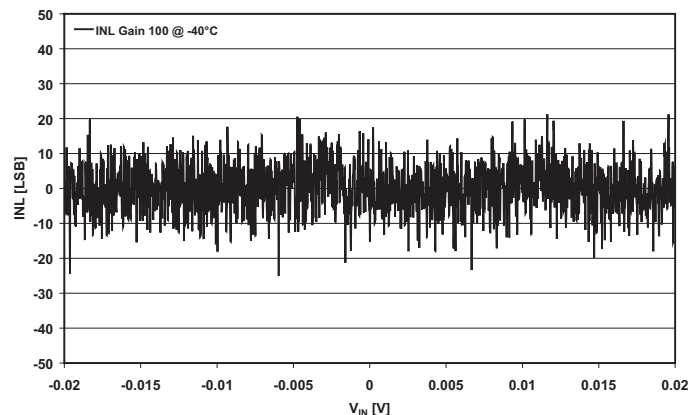


Figure 43. INL -40°C

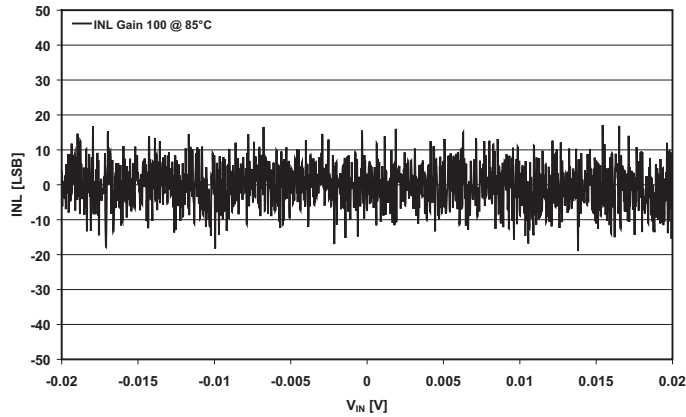


Figure 44. INL 25°C

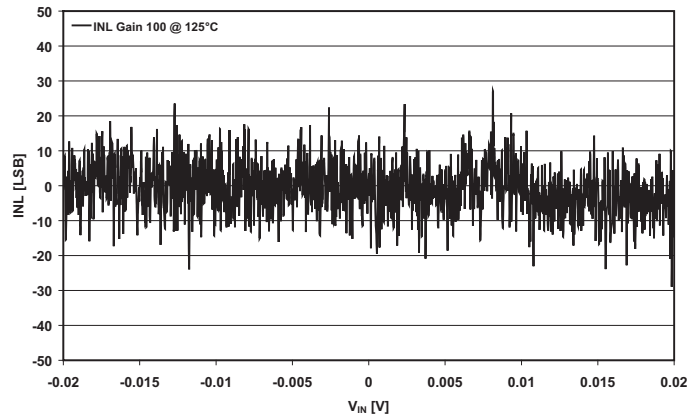


Figure 45. INL 85°C

Figure 46. INL 125°C

11.3.1.4 Gain 1000

$V_{BATT}=5V$; $V_{REF}=V_{BATT}$; ADC, PGA3, PGA2, PGA1 enabled; $GD1=10$, $GD2=10$, $GD3=10$; $OSR=1024$; $NELCONV=8$; $f_s=250KHz$; Resolution=16bits.

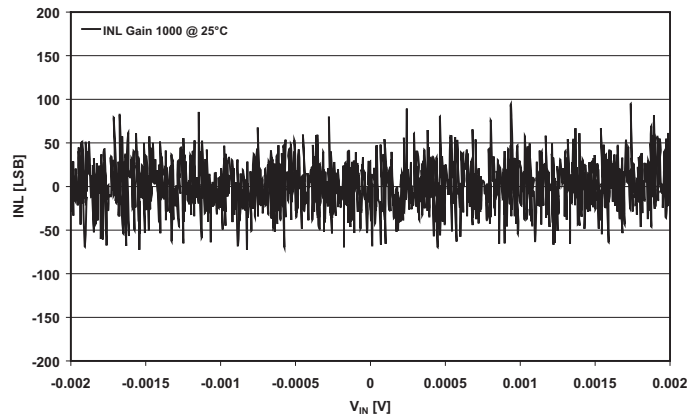
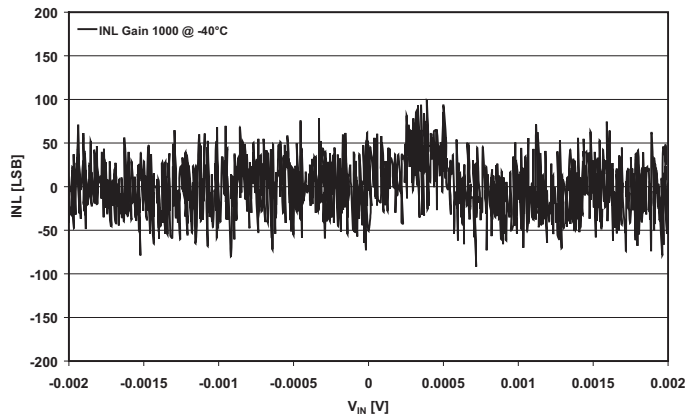


Figure 47. INL -40°C

Figure 48. INL 25°C

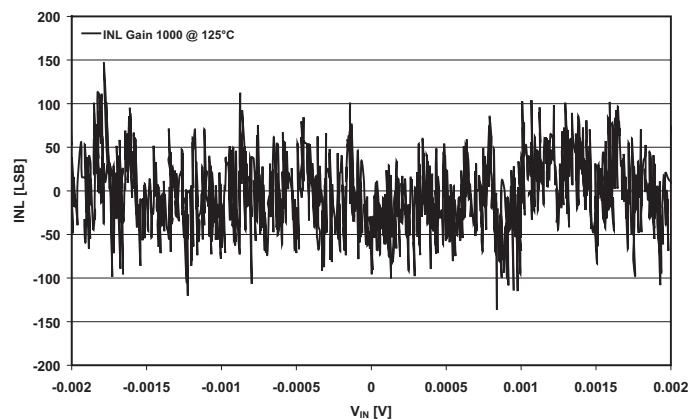
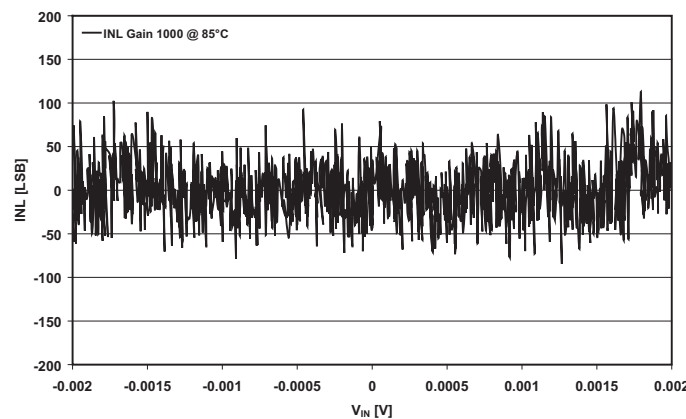


Figure 49. INL 85°C

Figure 50. INL 125°C

11.3.2 Differential Non-Linearity

The differential non-linearity is generated by the ADC. The PGA does not add differential non-linearity. [Figure 51](#) shows the differential non-linearity.

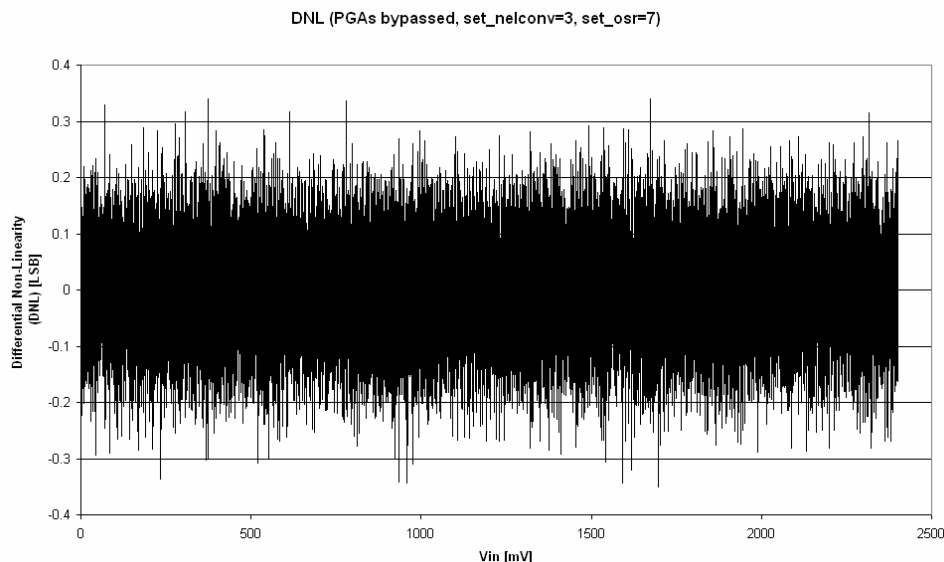


Figure 51. Differential Non-Linearity of the ADC Converter

11.4 Noise

Ideally, a constant input voltage V_{IN} should result in a constant output code. However, because of circuit noise, the output code may vary for a fixed input voltage. Thus, a statistical analysis on the output code of 1200 conversions for a constant input voltage was performed to derive the equivalent noise levels of $PGA1$, $PGA2$, and $PGA3$.

The extracted RMS output noise of $PGA1$, 2, and 3 are given in [Table 38, page 59](#): standard output deviation and output rms noise voltage.

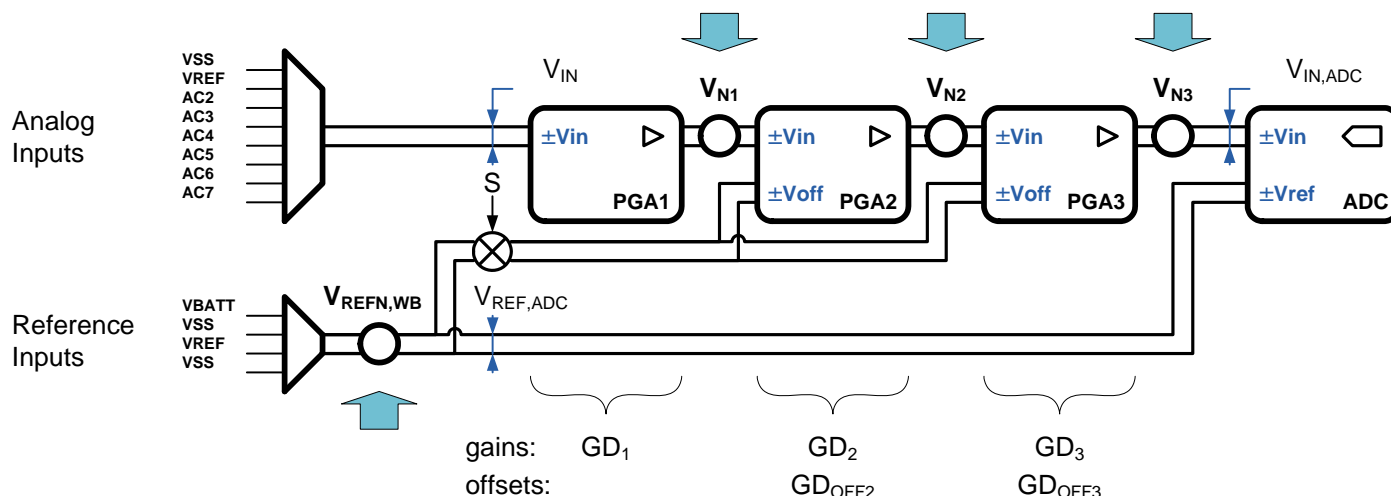


Figure 52. Simple Noise Model for PGAs and ADC

V_{N1} , V_{N2} , and V_{N3} are the output RMS noise figures of [Table 38](#), GD_1 , GD_2 , and GD_3 are the PGA gains of stages 1 to 3 respectively. $V_{REFN,WB}$ is the wide band noise on the reference voltage.

The simple noise model of [Figure 52](#) is used to estimate the equivalent input referred RMS noise $V_{N,IN}$ of the acquisition chain in the model of [Figure 54](#), [page 59](#). This is given by the relationship:

$$V_{N,IN}^2 = \frac{\left(\frac{V_{N1}}{GD_1}\right)^2 + \left(\frac{V_{N2}}{GD_1 \cdot GD_2}\right)^2 + \left(\frac{V_{N3}}{GD_{TOT}}\right)^2 + \left(\frac{V_{REFN,WB}(GD_2 \cdot GD_{OFF2} + GD_{OFF3})}{GD_{TOT}}\right)^2 + \left(\frac{1}{2} \cdot \frac{V_{REFN,WB}}{GD_{TOT}}\right)^2}{(OSR \cdot N_{ELCONV})} [V^2_{rms}]$$

Equation 28

On the numerator of [Equation 28](#):

- 1 the first parenthesis is the PGA1 gain amplifier contribution to noise
- 2 the second parenthesis is the PGA2 gain amplifier contribution to noise
- 3 the third parenthesis is the PGA3 gain amplifier contribution to noise
- 4 the fourth parenthesis is PGA2 and PGA3 offset amplifiers contributions to noise
- 5 the last parenthesis is the contribution of the noise on the references of the ADC

As shown in [Equation 28](#), noise can be reduced by increasing OSR and $NELCONV$ (increases the ADC averaging effect, but reduces noise).

Table 38. PGA Noise Measurement (n = 16bits, OSR = 512, NELCONV = 2, VREF = 5V)

Parameter	PGA1	PGA2	PGA3
Output RMS noise [μV]	$V_{N1} = 205$	$V_{N2} = 340$	$V_{N3} = 365$

[Figure 53](#) shows the distribution for the ADC alone ($PGA1, 2$, and 3 bypassed). Quantization noise is dominant in this case, and, thus, the ADC thermal noise is below 16 bits.

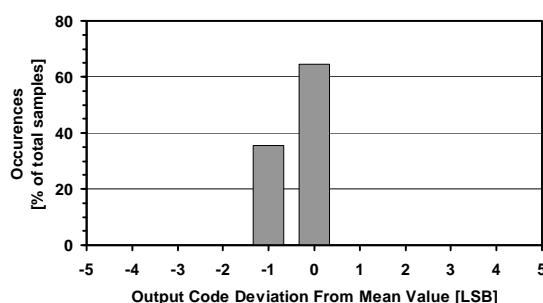


Figure 53. ADC Noise (PGA1, 2 & 3 Bypassed, OSR = 512, NELCONV = 2)

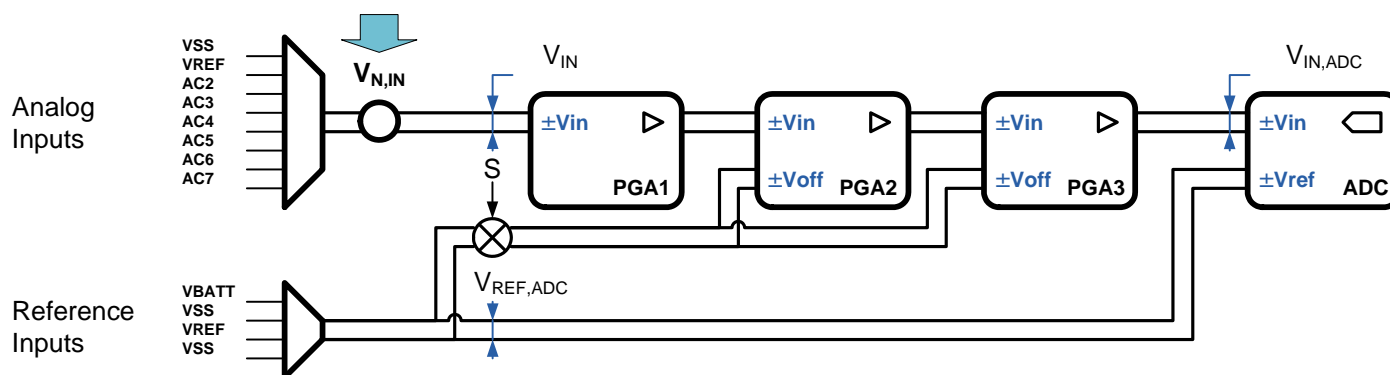


Figure 54. Total Input Referred Noise

As an example, consider the system where: $GD2 = 10$ ($GD1 = 1$; $PGA3$ bypassed), $OSR = 512$, $NELCONV = 2$, $VREF = 5 V$. In this case, the noise contribution V_{N1} of $PGA1$ is dominant over that of $PGA2$. Using [Equation 28, page 58](#), we get: $V_{N,IN} = 6.4 \mu V$ (RMS) at the input of the acquisition chain, or, equivalently, 0.85 LSB at the output of the ADC . Considering 0.2 V (RMS) maximum signal amplitude, the signal-to-noise ratio is 90dB.

11.5 Gain Error and Offset Error

Gain error is defined as the amount of deviation between the ideal transfer function (theoretical [Equation 19, page 30](#)) and the measured transfer function (with the offset error removed).

The actual gain of the different stages can vary depending on the fabrication tolerances of the different elements. Although these tolerances are specified to a maximum of $\pm 3\%$, they will be most of the time around $\pm 0.5\%$. Moreover, the tolerances between the different stages are not correlated and the probability to get the maximal error in the same direction in all stages is very low. Finally, these gain errors can be calibrated by the software at the same time with the gain errors of the sensor for instance.

Figure 55 shows gain error drift vs. temperature for different PGA gains. The curves are expressed in % of Full-Scale Range (FSR) normalized to 25°C.

Offset error is defined as the output code error for a zero volt input (ideally, output code = 0). The offset of the ADC and the PGA1 stage are completely suppressed if $NELCONV > 1$.

The measured offset drift vs. temperature curves for different PGA gains are depicted in **Figure 56**. The output offset error, expressed in LSB for 16-bit setting, is normalized to 25°C. Notice that if the ADC is used alone, the output offset error is below ± 1 LSB and has no drift.

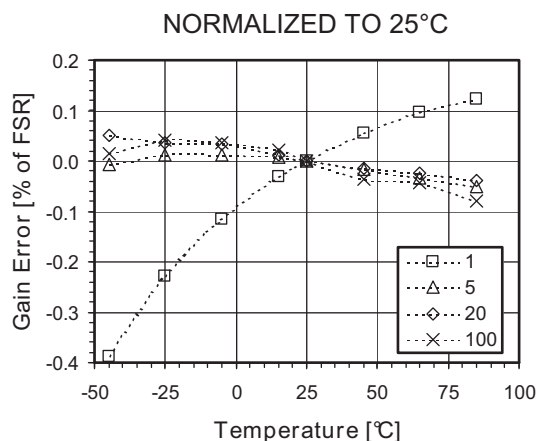


Figure 55. Gain Error vs. Temperature for Different Gains

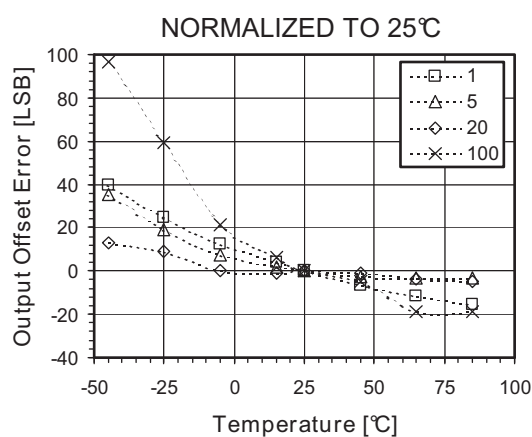


Figure 56. Offset Error vs. Temperature for Different Gains

11.6 Power Consumption

As mentioned in [section 6.4, page 16](#) the Charge Pump must be enabled if V_{BATT} is below 3V. [Figure 57](#) plots the variation of current consumption with supply voltage V_{BATT} , as well as the distribution between the 3 *PGA* stages and the *ADC* (see [Table 39, page 62](#)). In this case the Charge Pump is forced ON for $V_{BATT} < 4.2V$ and forced OFF for $V_{BATT} > 4.2V$.

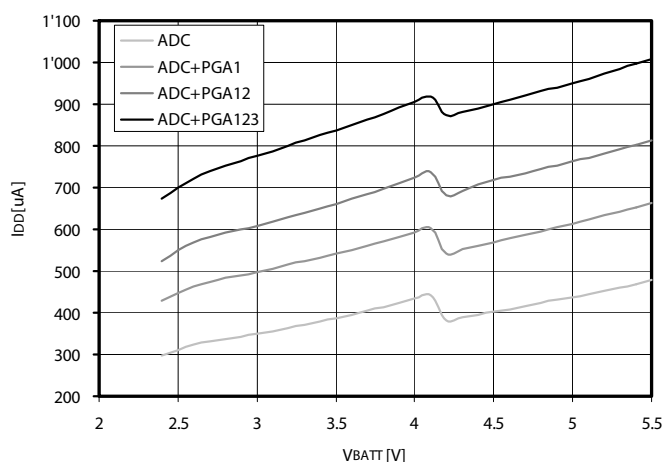


Figure 57. Current Consumption vs. Supply Voltage and PGAs

As shown in [Figure 58](#), if lower sampling frequency is used, the current consumption can be lowered by reducing the bias currents of the *PGAs* and the *ADC* with registers $IbAmpPga$ and $IbAmpAdc$. (In [Figure 58](#), $IbAmpPga/Adc = '11', '10', '00'$ for $f_s = 500, 250, 62.5$ kHz respectively. In this case the Charge Pump is forced ON for $V_{BATT} < 4.2V$ and forced OFF for $V_{BATT} > 4.2V$.

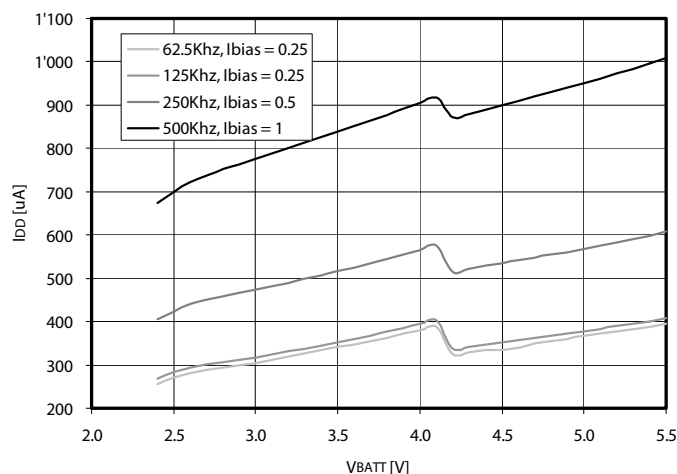


Figure 58. Current Consumption vs. Temperature and ADC Sampling Frequency

Current consumption vs. temperature is depicted in [Figure 59](#), showing the increase between -40 and +125°C.

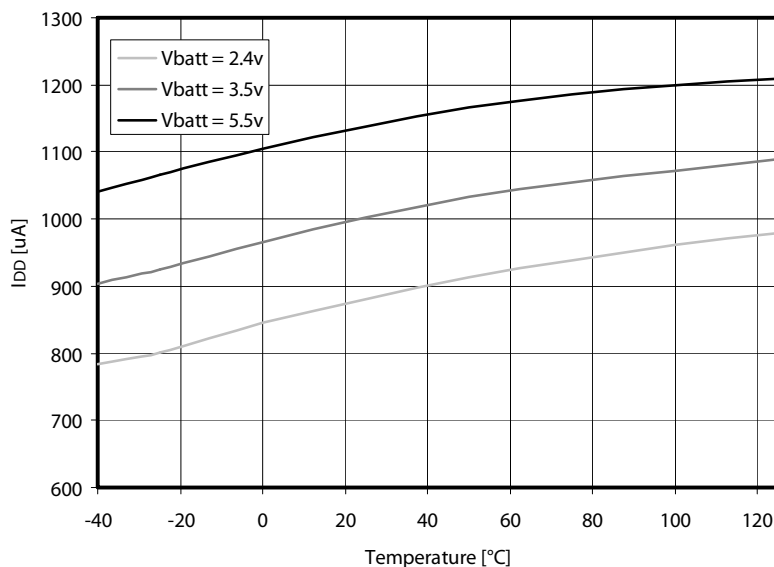


Figure 59. Current Consumption vs. Temperature and Supply Voltage

Table 39. Typical Current Distribution in Acquisition Chain (n = 16 bits, fs = 250kHz)

Supply	ADC	PGA1	PGA2	PGA3	Total	Unit
VBATT = 2.4V	207	70	51	78	406	uA
VBATT = 3.5V	282	82	61	91	516	
VBATT = 5.5V	338	103	67	98	606	

FAMILY OVERVIEW

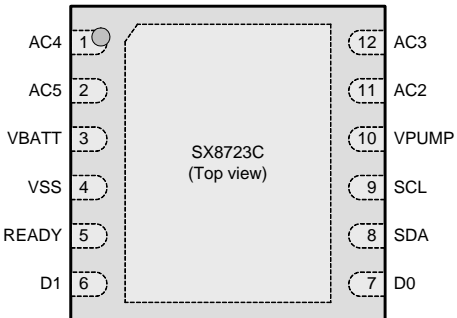
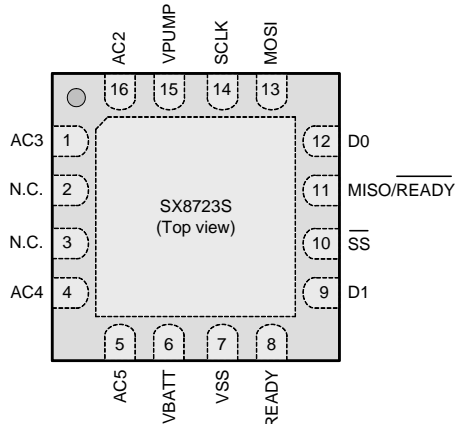
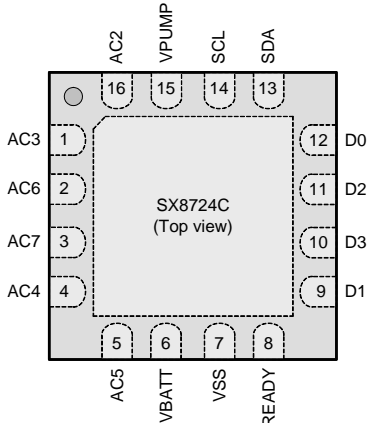
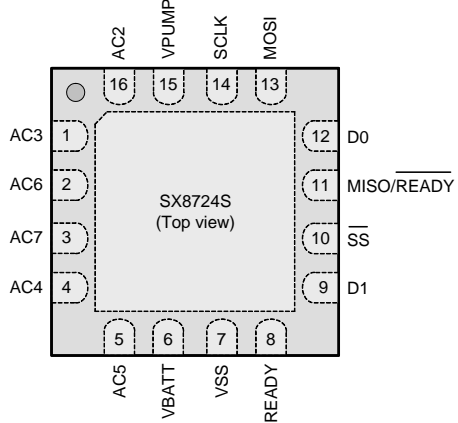
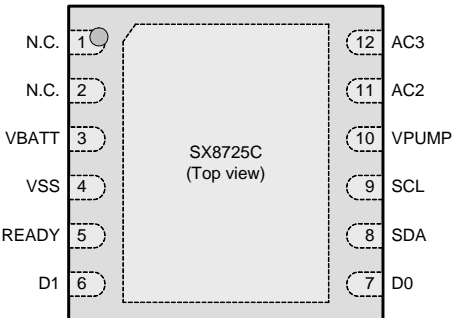
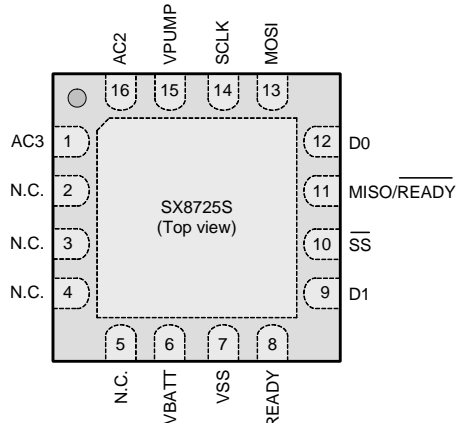
This chapter gives an overview of similar devices based on the ZoomingADC but with different features or packages. Each part is described in it's own datasheet.

12 Comparison Table

Table 40. Family Comparison Table

		Part number					
		SX8723C	SX8724C	SX8725C	SX8723S	SX8724S	SX8725S
Package		MLPD-W-12 4x4	MLPQ-16 4x4	MLPD-W-12 4x4	MLPQ-16 4x4	MLPQ-16 4x4	MLPQ-16 4x4
Protocol		I2C	I2C	I2C	SPI	SPI	SPI
GPIO	D0	I2C addr, Digital IO or Vref OUT	I2C addr, Digital IO or Vref OUT	I2C addr, Digital IO or Vref OUT	Digital IO or Vref OUT	Digital IO or Vref OUT	Digital IO or Vref OUT
	D1	I2C addr, Digital IO or Vref IN	I2C addr, Digital IO or Vref IN	I2C addr, Digital IO or Vref IN	Digital IO or Vref OUT.	Digital IO or Vref IN	Digital IO or Vref IN
	D2	N.A.	Digital IO	N.A.	N.A.	N.A.	N.A.
	D3	N.A.	Digital IO	N.A.	N.A.	N.A.	N.A.
Differential input channels		2	3	1	2	3	1

13 Comparison by package pinout

I2C versions	SPI versions
 <p>SX8723C (Top view)</p>	 <p>SX8723S (Top view)</p>
 <p>SX8724C (Top view)</p>	 <p>SX8724S (Top view)</p>
 <p>SX8725C (Top view)</p>	 <p>SX8725S (Top view)</p>

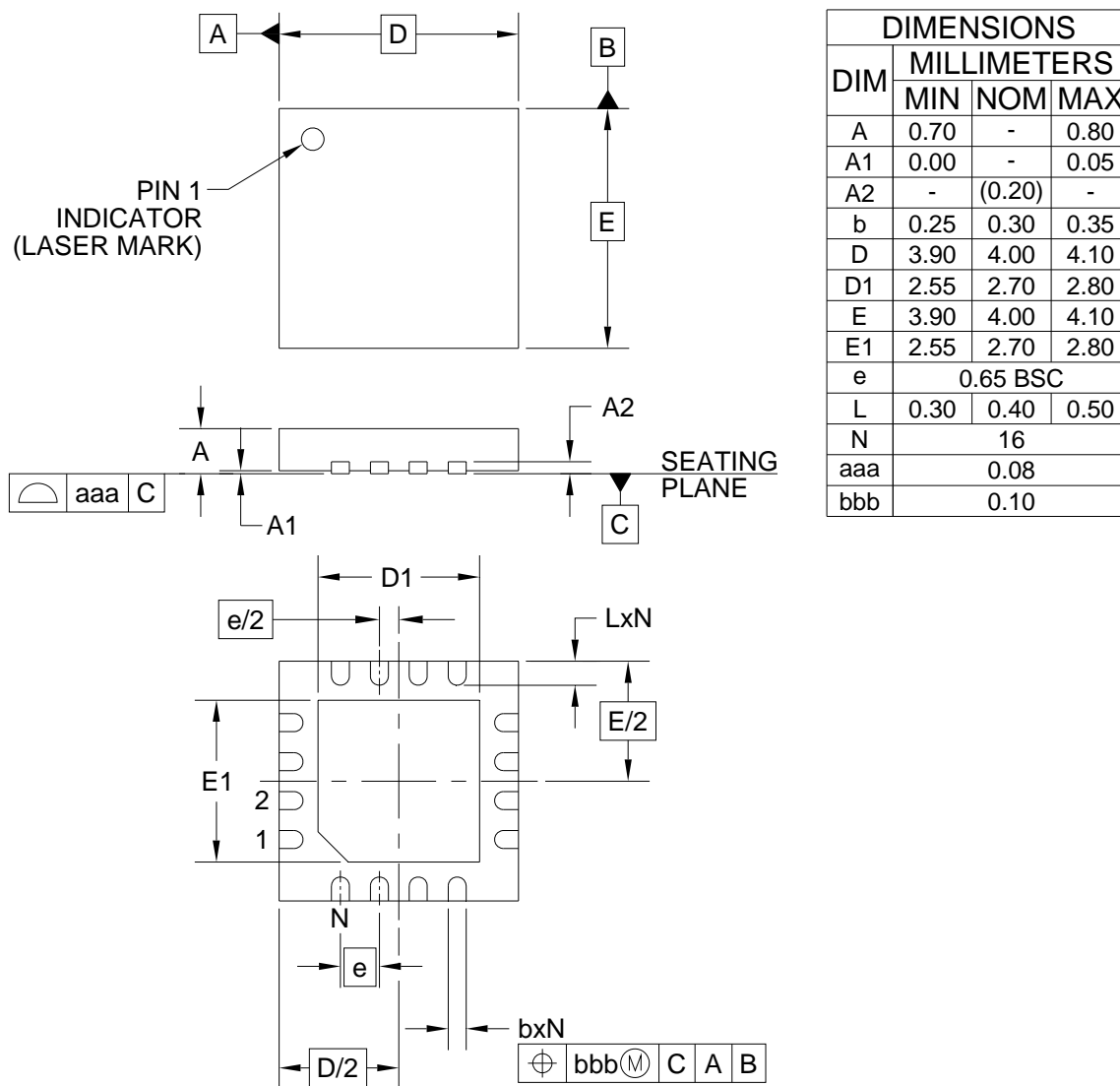
MECHANICAL

14 PCB Layout Considerations

PCB layout considerations to be taken when using the SX8724S are relatively simple to get the highest performances out of the ZoomingADC. The most important to achieve good performances out the ZoomingADC is to have a good voltage reference. The SX8724S has already an internal reference that is good enough to get the best performances with a minimal amount of external components, but, in case an external reference is needed this one must be as clean as possible in order to get the desired performance. Separating the digital from the analog lines will be also a good choice to reduce the noise induced by the digital lines. It is also advised to have separated ground planes for digital and analog signals with the shortest return path, as well as making the power supply lines as wider as possible and to have good decoupling capacitors.

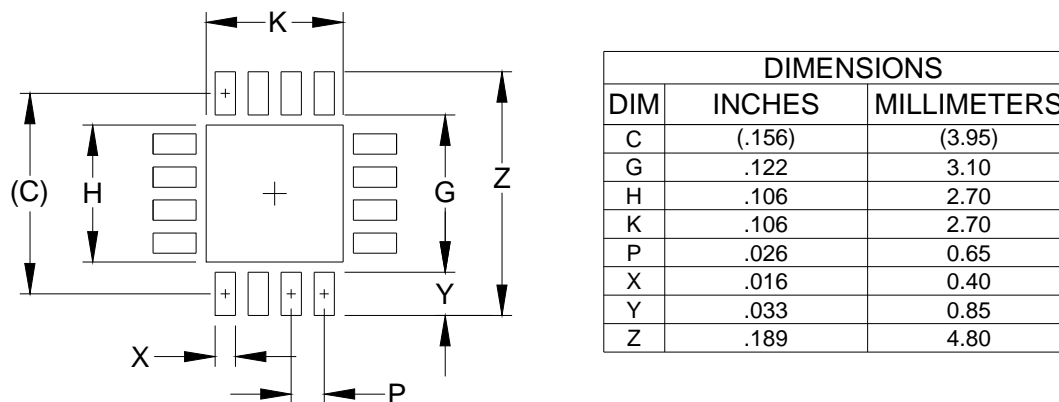
15 How to Evaluate

For evaluation purposes SX8724SEVK evaluation kit can be ordered. This kit connects to any PC using a USB port. A software gives the user the ability to control the SX8724S registers as well as getting the raw data from the ZoomingADC and displaying it on the "Graphical User Interface". For more information please look at SEMTECH web site (<http://www.semtech.com/analog-controllers-sensors-converters/>).

16 Package Outline Drawing: MLPQ-W16-4x4-EP1

NOTES:

1. CONTROLLING DIMENSIONS ARE IN MILLIMETERS (ANGLES IN DEGREES).
2. COPLANARITY APPLIES TO THE EXPOSED PAD AS WELL AS THE TERMINALS.

Figure 60. Package Outline Drawing

17 Land Pattern Drawing: MLPQ-W16-4x4-EP1

NOTES:

1. CONTROLLING DIMENSIONS ARE IN MILLIMETERS (ANGLES IN DEGREES).
2. THIS LAND PATTERN IS FOR REFERENCE PURPOSES ONLY. CONSULT YOUR MANUFACTURING GROUP TO ENSURE YOUR COMPANY'S MANUFACTURING GUIDELINES ARE MET.
3. THERMAL VIAS IN THE LAND PATTERN OF THE EXPOSED PAD SHALL BE CONNECTED TO A SYSTEM GROUND PLANE. FAILURE TO DO SO MAY COMPROMISE THE THERMAL AND/OR FUNCTIONAL PERFORMANCE OF THE DEVICE.
4. SQUARE PACKAGE - DIMENSIONS APPLY IN BOTH " X " AND " Y " DIRECTIONS.

Figure 61. Land Pattern Drawing

18 Tape and Reel Specification

MLP/QFN (0.70mm - 1.00mm package thickness)

- Single Sprocket holes
- Tolerances for A_o & B_o are $\pm 0.20\text{mm}$
- Tolerances for K_o is $\pm 0.10\text{mm}$
- Tolerance for Pocket Pitch is $\pm 0.10\text{mm}$
- Tolerance for Tape width is $\pm 0.30\text{mm}$
- Trailer and Leader Length are minimum required length
- Package Orientation and Feed Direction

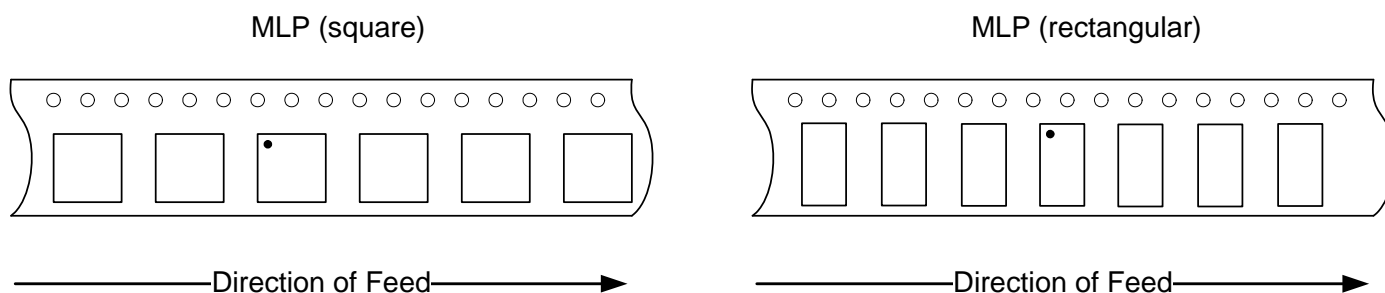


Figure 62. Direction of Feed

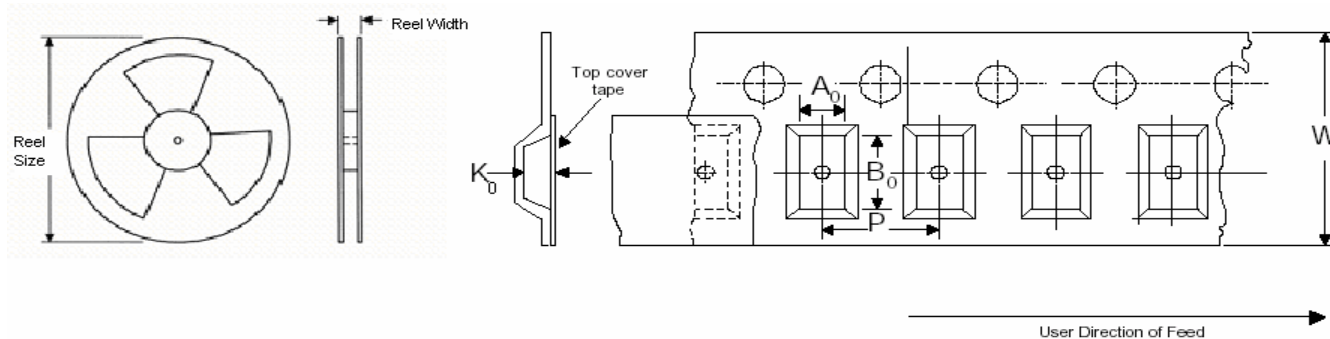


Figure 63. User direction of feed

Table 41. Tape and reel specifications

Pkg size	carrier tape (mm)					Reel		Trailer Length (mm)	Leader Length (mm)	QTY per Reel
	Tape Width (W)	Pocket Pitch (P)	A_o	B_o	K_o	Reel Size (in)	Reel Width (mm)			
4x4	12	8	4.35	4.35	1.10	7/13	12.4	400	400	1000/3000

© Semtech 2010

All rights reserved. Reproduction in whole or in part is prohibited without the prior written consent of the copyright owner. The information presented in this document does not form part of any quotation or contract, is believed to be accurate and reliable and may be changed without notice. No liability will be accepted by the publisher for any consequence of its use. Publication thereof does not convey nor imply any license under patent or other industrial or intellectual property rights. Semtech assumes no responsibility or liability whatsoever for any failure or unexpected operation resulting from misuse, neglect improper installation, repair or improper handling or unusual physical or electrical stress including, but not limited to, exposure to parameters beyond the specified maximum ratings or operation outside the specified range.

SEMTECH PRODUCTS ARE NOT DESIGNED, INTENDED, AUTHORIZED OR WARRANTED TO BE SUITABLE FOR USE IN LIFE-SUPPORT APPLICATIONS, DEVICES OR SYSTEMS OR OTHER CRITICAL APPLICATIONS. INCLUSION OF SEMTECH PRODUCTS IN SUCH APPLICATIONS IS UNDERSTOOD TO BE UNDERTAKEN SOLELY AT THE CUSTOMER'S OWN RISK. Should a customer purchase or use Semtech products for any such unauthorized application, the customer shall indemnify and hold Semtech and its officers, employees, subsidiaries, affiliates, and distributors harmless against all claims, costs damages and attorney fees which could arise.

Notice: All referenced brands, product names, service names and trademarks are the property of their respective owners.

Contact information

Semtech Corporation Advanced Communications & Sensing Products

E-mail: sales@semtech.com or acsupport@semtech.com
Internet: <http://www.semtech.com>

USA

200 Flynn Road, Camarillo, CA 93012-8790.
Tel: +1 805 498 2111 Fax: +1 805 498 3804

FAR EAST

12F, No. 89 Sec. 5, Nanking E. Road, Taipei, 105, TWN, R.O.C.
Tel: +886 2 2748 3380 Fax: +886 2 2748 3390

EUROPE

Semtech Ltd., Units 2 & 3, Park Court, Premier Way, Abbey Park Industrial Estate, Romsey, Hampshire, SO51 9DN.
Tel: +44 (0)1794 527 600 Fax: +44 (0)1794 527 601