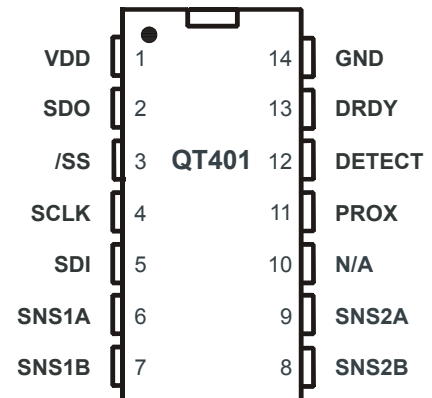


- 1-dimensional finger-touch slider
- Extremely simple circuit - no external active components
- Completely passive sensing strip: no moving parts
- Compatible with clear ITO over LCD construction
- SPI slave-mode interface
- Self-calibration and drift compensation modes
- Proximity mode for wake up of a product
- Spread-spectrum operation for optimal EMC compliance
- 2.5 - 5.5V single supply operation; very low power
- 14-pin SOIC, TSSOP lead-free packages
- Inexpensive, simple 1-sided PCB construction possible
- E401 reference design board available



APPLICATIONS

- Lighting controls
- Appliance controls
- Touch-screens
- Automotive controls

The QT401 QSlide™ IC is a 1-dimensional position sensor IC designed for human interfaces. This unique IC allows designers to create speed or volume controls, menu bars, and other more exotic forms of human interface on the panel of an appliance or over an LCD display.

The device uses a simple, inexpensive resistive sensing strip between two connection end points. The strip element can be an arc or a semicircle or simply linear. The strip can also be used as a proximity sensor out to several centimeters, to wake up an appliance or display from a sleep mode in a dramatic fashion.

The QT401 can report a single rapid touch anywhere along the slider element, or, it can track a finger moving laterally along the slider strip in real time. The device self-calibrates under command from a host controller in one of two modes.

The QT401 is a new type of capacitive sensor based on Quantum's patented charge-transfer methods. This device uses two channels of simultaneous sensing across a resistive element to determine finger position, using mathematical analysis. The accuracy of QSlide™ is theoretically the same as a conventional potentiometer. A positional accuracy of 5% (or better) is relatively easy to achieve.

The acquisitions are performed in a burst mode which uses proprietary spread-spectrum modulation for superior noise immunity and low emissions.

The output of the QT401 can also be used to create discrete controls on a strip, by interpreting sets of number ranges as buttons. For example, the number range 0..19 can be button A, 30..49 button B, 60..79 button C etc. Continuous slider action and discrete controls can be mixed on a single strip, or, the strip can be reinterpreted differently at different times, for example when used below or on top of an LCD to act as a menu input device that dynamically changes function in context. In this fashion the QT401 can be used to create ultra-simple, extremely inexpensive 'touch screens'. The device is compatible with ITO (Indium Tin Oxide) overlays on top of various displays.

AVAILABLE OPTIONS

T _A	SO-14	TSSOP-14
-40°C ~ +85°C	QT401-ISG	QT401-ISSG

1 Operation

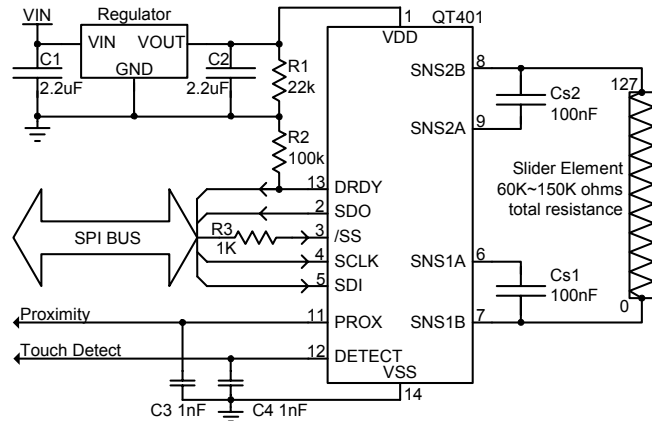
The QT401 uses a SPI slave mode interface for control and data communications with a host controller. Acquisition timings and operating parameters are under host control; there are no option jumpers and the device cannot operate in a stand-alone mode.

The positional output data is a 7-bit binary integer (0...127) indicating position from left (0) to right (127).

Like all QProx™ devices, the QT401 operates using bursts of charge-transfer pulses; burst mode permits an unusually high level of control over spectral modulation, power consumption, and response time.

The QT401 modulates its bursts in a spread-spectrum fashion in order to heavily suppress the effects of external noise, and to suppress RF emissions.

Figure 1-1 QT401 Wiring Diagram



1.1 Synchronized Mode

Refer also to Figure 3-1, page 6.

Sync mode allows the host device to control the repetition rate of the acquisition bursts, which in turn govern response time and power consumption. The maximum spacing from the end of one burst to the start of the next in this mode is 1 second.

In sync mode, the device will wait for the SPI slave select line /SS to fall and rise and will then do an acquisition burst; actual SPI clocks and data are optional. The /SS pin thus becomes a 'sync' input in addition to acting as the SPI framing control.

Within 35µs of the last rising edge of CLK, the device will enter a low power sleep mode. The rising edge of /SS must occur after this time; when /SS rises, the device wakes from sleep, and shortly thereafter does an acquisition burst. If a more substantial sleep time is desired, /SS should be made to rise some delay period later.

By increasing the amount of time spent in sleep mode, the host can decrease the average current drain at the expense of response time. Since a burst typically requires 31ms (at 3.3V, reference circuit), and an acceptable response time might be ~100ms, the power duty cycle will be 31/100 or 31% of peak current.

If power is not an issue the device can run constantly under host control, by always raising /SS after 35µs from the last rising edge of CLK. Constant burst operation can be used by the host to gather more data to filter the position data further to suppress noise effects, if required.

Mains Sync: Sync mode can be used to sync to mains frequency via the host controller, if mains interference is possible (ie, running as a lamp dimmer control). The host should issue SPI commands synchronously with the mains frequency. This form of operation will heavily suppress interference from low frequency sources (e.g. 50/60Hz), which are not easily suppressed using spread-spectrum burst modulation.

Cross-talk suppression: If two more QT401's are used in close proximity, or there are other QTouch™ type device(s) close by, the devices can interfere strongly with one another to create position jitter or false triggering. This can be suppressed by making sure that the devices do not perform acquisition bursts at overlapping times. The host controller can make sure that all such devices operate in distinctly different timeslots, by using a separate /SS line or Sync signal for each part.

1.2 Free-Run Mode

If /SS stays high, the device will acquire on its own repetitively approximately every 60ms (Figure 1-2). This mode can be used to allow the part to function as a prox or touch detector first, perhaps to wake a host controller. Either the PROX or DETECT can be used as a wakeup.

In free-run mode, the device does not sleep between acquire bursts. In this mode the QT401 performs automatic drift compensation at the maximum rate of one count per 180 acquisition burst cycles, or about one count every 3 seconds without host intervention. It is not possible to change this

Figure 1-2 Free-Run Timing Diagram (/SS = high)

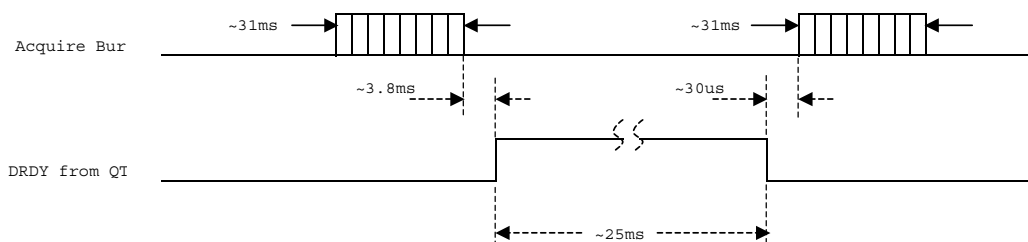


Table 1-1 Pin Descriptions

PIN	NAME	TYPE	DESCRIPTION
1	VDD	Power	Positive power pin (+2.5 .. +5V)
2	SDO	O	Serial data output
3	/SS	I	Slave Select pin. Active low input to enable serial clocking. 1K ohms in series recommended.
4	SCLK	I	Serial clock input. Clock idles high
5	SDI	I	Serial data input
6	SNS1A	I/O	Sense pin (to Cs1)
7	SNS1B	I/O	Sense pin (to Cs1, Rs1); connects to '0' end of slider element
8	SNS2B	I/O	Sense pin (to Cs2, Rs2); connects to '127' end of slider element
9	SNS2A	I/O	Sense pin (to Cs2)
10	N/A	O	Leave open
11	PROX	O	Active high when a hand is near the slider. May be left unconnected. Note (1)
12	DETECT	O	Active high when slider is touched. May be left unconnected. Note (1)
13	DRDY	O	Data ready output. Goes high to indicate it is possible to communicate with the QT401. Note (1)
14	VSS	Ground	Negative power pin

Note (1): Pin floats briefly after wake from Sleep mode.

setting of drift compensation in Free-Run mode. See also Section 3.3.4.

1.3 Sleep Mode

After an SPI transmission, the device will enter a low power sleep state; see Figure 3-1, page 6, and Section 3.2.4, page 7 for details. This sleep state can be extended in order to lower average power, by simply delaying the rise of /SS.

Coming out of sleep state when /SS rises, the PROX, DETECT, and DRDY pins will float for ~400µs; it is recommended that these pins be pulled low to Vss to avoid false signalling if they being monitored during this time.

Note: Pin /SS clamps to Vss for 250ns after coming out of sleep state as a diagnostic pulse. To prevent a possible pin drive conflict, /SS should either be driven by the host as an open-drain pull-high drive (e.g. with a 100K pullup resistor), or there should be a ~1K resistor placed in series with the /SS pin. See Figure 1-1, R3.

1.4 PROX, DETECT Outputs

There are two active-high output pins for detection of hand proximity and slider position:

PROX output: This pin goes high when a hand is detected in free space near the slider. This condition is also found as bit 0 in the standard response when there is no touch detection (Section 3.3).

DETECT output: This pin goes high when the signal is large enough to allow computation of finger position. This condition is also found as bit 7 in the standard response (Section 3.3).

The sensitivities of these functions can be set using serial commands (Sections 3.3.5 and 3.3.6).

These outputs will float for ~400µs after wake from Sleep mode (see Section 1.3). If Sleep mode is used, it is recommended that PROX and DETECT (if used) be shunted to ground with 1nF capacitors to hold their states during the 400µs float interval when emerging from Sleep.

1.5 Position Data

The position value is internally calculated and can be accessed only when the slider is touched (Detect pin is high).

The position data is a 7-bit number (0..127) that is computed in real time; the end numbers (0, left; 127, right) map to the physical ends by one of two possible calibration methods (see Section 1.6). The position data will update either with a single rapid touch or will track if the finger is moved lengthwise along the surface of the slider element. The position data ceases to be reported when touch detection is no longer sensed.

1.6 Calibration

Calibration is possible via two methods:

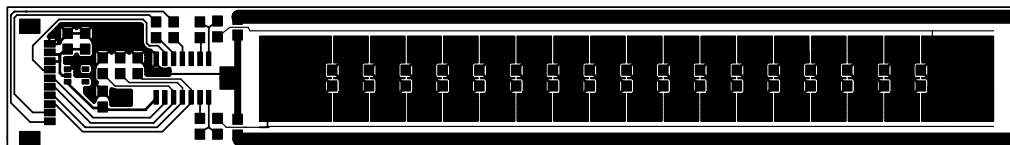
- 1) Power up or power cycling (there is no reset input).
- 2) On command from host via SPI (Command 0x01: see Section 3.3.2).

The calibration period requires 10 burst cycles, which are executed automatically without the need for additional SPI commands from the host. The spacing between each Cal burst is 2ms, and the bursts average about 23ms each when Cs1, Cs2 are 100nF, ie the Cal command requires ~220ms to execute. Lower values of Cs will result in shorter bursts and hence shorter cal times.

In addition to the basic calibration, it is also possible to request that the QT401 adjust its reported data to achieve physically calibrated end points (0, 127) via a serial command (command 0x02: Section 3.3.3). This requires an immediately preceding reference calibration command (command 0x01: see Section 3.3.2) in order to work correctly.

Calibration should be performed when there is no hand proximity to the element, or the results may be in error. Should this happen, the error flag (bit 1 of the standard response, see Section 3.3) will activate when the hand is withdrawn again. In most cases this condition will self-correct if drift compensation is used, and it can thus be ignored. See also Section 1.8 below.

Figure 1-3 E401 PCB Layout (1-sided, 144 x 20 x 0.6mm)



1.7 Drift Compensation

The device features an ability to compensate for slow drift due to environmental factors such as temperature changes or humidity. Drift compensation is performed completely under host control via a special drift command. See Section 3.3.4 for further details.

1.8 Error Flag

An error flag bit (bit 1) is provided in the standard response byte but only when there is no touch detection present (Section 3.3); if the Error bit is high, it means the signal has fallen significantly below the calibration level when not touched. If this happens the device could report somewhat inaccurate position values when touched.

This condition can self-correct via the drift compensation process after some time under host control (Section 3.3.4). Alternatively, the host controller can cause the device to recalibrate immediately by issuing a calibration command (Section 3.3.2), perhaps also followed by an end-calibrate command (Section 3.3.3) if desired.

2 Wiring & Parts

The device should be wired according to Figure 1-1. An example PCB layout (of the E401 eval board) is shown in Figure 1-3.

2.1 Slider Strip Construction

The slider should be a resistive strip of about 100K ohms +/-50%, from end to end, of a suitable length and width. Arcs and semicircles are also possible. There are no known length restrictions.

The slider can be made of a series chain of discrete resistors with copper pads on a PCB, or from ITO (Indium Tin Oxide, a clear conductor used in LCD panels and touch screens) over a display. Carbon thick-film paste can also be used, however linearity might be a problem as these films are notoriously difficult to control without laser trimming or scribing.

The linearity of the slider is governed largely by the linearity and consistency of the resistive slider element. Positional accuracy to within 5% is routinely achievable with good grade resistors and a uniform construction method.

2.2 Cs Sample Capacitors

Cs1 and Cs2 are the charge sensing capacitors, of type X7R.

The optimal values of Cs1 and Cs2 depend on the thickness of the panel and its dielectric constant. Lower coupling to a finger caused by a low dielectric constant and/or thicker panel will cause the position result to become granular and more subject to position errors. The ideal panel is made of thin

glass. The worst panel is thick plastic. Granularity due to poor coupling can be compensated for by the use of larger values of Cs1 and Cs2.

A table of suggested values for Cs1 and Cs2 for no missing position values is shown in Table 1-2. Values of Cs smaller than those shown in the table can cause skipping of position codes. Code skipping may be acceptable in many applications where fine position data is not required. Smaller Cs capacitors have the advantage of requiring shorter acquisition bursts and hence lower power drain.

Larger values of Cs1 and Cs2 improve granularity at the expense of longer burst lengths and hence more average power. Conversely where power is more important than granularity, Cs1 and Cs2 can be reduced to save power at the expense of resolution. Optimal values depends on the user application, and some experimentation is necessary.

Cs1 and Cs2 should be matched to within 10% of each other (ie, 5% tolerance, X7R dielectric) for best left-right end zone balance, using the E401 reference layout (Figure 1-3). See also Section 2.3. Linearity is not greatly affected by Cs mismatching. If the error is too extreme, one of the end locations could attempt to exceed the physical limits of the slider. At or below this 10% guideline, the device will correctly calibrate the end locations to within 1 or 2 millimeters for a 100mm slider.

In critical applications, the capacitors should be sort-matched, or, the host device should store end location calibration correction data based on a one-time factory calibration procedure. Alternatively the Rs end resistors can be factory adjusted to determine end locations more precisely.

2.3 Rs End Resistors

In auto end-cal mode, Rs1 and Rs2 are used only for EMC and ESD protection; they should be no more than ~1K ohms. However they are optional, and in the E401 eval board they are set to 0.

In fixed cal mode, Rs1 and Rs2 can be varied to adjust the ends of the slider outwards. Typically they will range from 10K to 20K each. In fixed cal mode, the end resistors should be selected to achieve a reasonable 0..127 position correspondence with the desired mechanical range; in particular, they should be adjusted so that the reported

Table 1-2 Recommended Cs vs. Materials

Thickness, mm	Acrylic ($\epsilon_R=2.8$)	Borosilicate glass ($\epsilon_R=4.8$)
0.4	10nF	5.6nF
0.8	22nF	10nF
1.5	47nF	22nF
2.5	100nF	39nF
3.0	-	47nF
4.0	-	100nF

values 0 and 127 can be easily achieved by both large and small fingers at the ends.

Increasing the Rs values will move the reported ends 'outwards'. If they are too large, the values 0 and/or 127 will not be reportable. The Rs resistors can have differing values.

Having well-defined ends is important in most applications, so that the user can select the absolute minimum and maximum values (ie OFF, MAX etc) reliably. If the numerical ends cannot be achieved the user can have difficulty in controlling the product.

The end zones should be defined to be physically large enough so that over a wide range of values of Cs, Rslider etc a usable set of ends are always preserved.

End zone tolerances can be affected by Cs1 / Cs2 capacitance matching and the values of Rs1 and Rs2 if fixed end-cal is used. See also Section 2.2.

2.4 Power Supply

The usual power supply considerations with QT parts applies also to the QT401. The power should be very clean and come from a separate regulator if possible. This is particularly critical with the QT401 which reports continuous position as opposed to just an on/off output.

A ceramic 0.1uF bypass capacitor should be placed very close to the power pins of the IC.

Regulator stability: Most low power LDO regulators have very poor transient stability, especially when the load transitions from zero current to full operating current in a few microseconds. With the QT401 this happens when the device comes out of sleep mode. The regulator output can suffer from hundreds of microseconds of instability at this time, which will have a deleterious effect on acquisition accuracy.

To assist with this problem, the QT401 waits 500µs after coming out of sleep mode before acquiring to allow power to fully stabilize. This delay is not present before an acquisition burst if there is no preceding sleep state.

Use an oscilloscope to verify that Vdd has stabilized to within 5mV or better of final settled voltage before a burst begins.

2.5 PCB Layout and Mounting

The E401 PCB layout (Figure 1-3) should be followed if possible. This is a 1-sided, 144 x 20 x 0.6mm board; the blank side is simply adhered to the inside of a 2mm thick (or less) control panel. Thicker panels can be tolerated with additional positional error due to capacitive 'hand shadow' effects and will also have poorer EMC performance.

This layout uses 18 copper pads connected with 17 intervening series resistors in a chain. The end pads are larger to ensure a more robust reading of 0 (left) and 127 (right). The finger interpolates between the copper pads (if the pads are narrow enough) to make a smooth, 0..127 step output with no apparent stair-casing. A wide ground border helps to suppress the sense field outside of the strip area, which would otherwise affect position accuracy.

The small electrodes of this PCB measure about 12.5 x 5.2mm. The lateral (eg 5.2mm) dimension of these electrodes should be no wider than the expected smallest diameter of finger touch, to prevent stair-casing of the position response.

Other geometries are possible, for example arcs and semicircles over a small scale (50mm radius max recommended semicircle, or any radius as a shallow arc). The strip can be made longer or shorter and with a different width. The electrode strip should be about 10mm wide or more, as a rule. Other features of the PCB layout are:

- ♦ The components are oriented perpendicular to the strip length so that they do not fracture easily when the PCB is flexed during bonding to the panel.
- ♦ The slider end connections should have a symmetrical layout; note the dummy end trace connected to Rs1 just below the slider element, to replicate the upper end trace connected to Rs2. Without this the slider will be unbalanced and will tend to skew its result to one side.
- ♦ The ground ring around the slider measures 2mm thick and is spaced 1mm from the long end traces. The end traces should be placed as close as possible to the slider element and be of the thinnest possible trace thickness.
- ♦ 0-ohm 0805 jumpers are used to connect the ground ring back to circuit ground. These bridge over the two end traces.
- ♦ Additional ground area or a ground plane on the PCB's rear will compromise signal strength and is to be avoided.
- ♦ The slider should normally be used in a substantially horizontal orientation to reduce tracking accuracy problems due to capacitive 'hand shadow' effects. Thinner panels and an electrode strip on the back of the PCB (so it has less material to penetrate) will reduce these effects.

'Handshadow' effects: With thicker or wider panels an effect known as 'handshadow' can become noticeable. If the capacitive coupling from finger to electrode strip is weak, for example due to a narrow electrode strip or a thick, low dielectric constant panel, the remaining portion of the human hand can contribute a significant portion of the total detectable capacitive load. This will induce an offset error, which will depend on the proximity and orientation of the hand to the remainder of the strip. Thinner panels will reduce this effect since the finger contact surface will strongly dominate the total signal and the remaining handshadow capacitance will not contribute significantly to create an error offset.

Slider strips placed in a vertical position are more prone to handshadow problems than those that are horizontal.

PCB Cleanliness: All capacitive sensors should be treated as highly sensitive circuits which can be influenced by stray conductive leakage paths. QT devices have a basic resolution in the femtofarad range; in this region, there is no such thing as 'no clean flux'. Flux absorbs moisture and becomes conductive between solder joints, causing signal drift and resultant false detections or temporary loss of sensitivity. Conformal coatings will trap in existing amounts of moisture which will then become highly temperature sensitive.

The designer should specify ultrasonic cleaning as part of the manufacturing process, and in extreme cases, the use of conformal coatings after cleaning.

2.6 ESD Protection

Since the electrode is always placed behind a dielectric panel, the IC will be protected from direct static discharge. However even with a panel transients can still flow into the

electrode via induction, or in extreme cases via dielectric breakdown. Porous materials may allow a spark to tunnel right through the material. Testing is required to reveal any problems. The device has diode protection on its terminals which will absorb and protect the device from most ESD events; the usefulness of the internal clamping will depend on the panel's dielectric properties and thickness.

One method to enhance ESD suppression is to insert resistors Rs1, Rs2 in series with the strip as shown in Figure 1-1; these can be as high as 1K ohms. Normally these are not required, and in the E401 eval board they are 0 ohms.

Diodes or semiconductor transient protection devices or MOV's on the electrode trace are not advised; these devices have extremely large amounts of nonlinear parasitic capacitance which will swamp the capacitance of the electrode and cause false detections and other forms of instability. Diodes also act as RF detectors and will cause serious RF immunity problems.

See also Section 2.7, below

2.7 EMC and Related Noise Issues

External AC fields (EMI) due to RF transmitters or electrical noise sources can cause false detections or unexplained shifts in sensitivity.

The influence of external fields on the sensor can be reduced by means of the 1K series end resistors described in Section 2.6. The Cs capacitor and Rs1, Rs2 (Figure 1-1) form a natural low-pass filter for incoming RF signals; the roll-off frequency of this network is defined by -

$$F_R = \frac{1}{2\pi R_S C_S}$$

If for example Cs = 22nF, and Rs = 1K, the EMI rolloff frequency is ~7.2kHz, which is vastly lower than most noise sources (except for mains frequencies i.e. 50 / 60 Hz). The resistance from the sensing strip itself is actually much higher on average, since the strip is typically 100K ohms from end to end. A more credible value for Rs is about 10K.

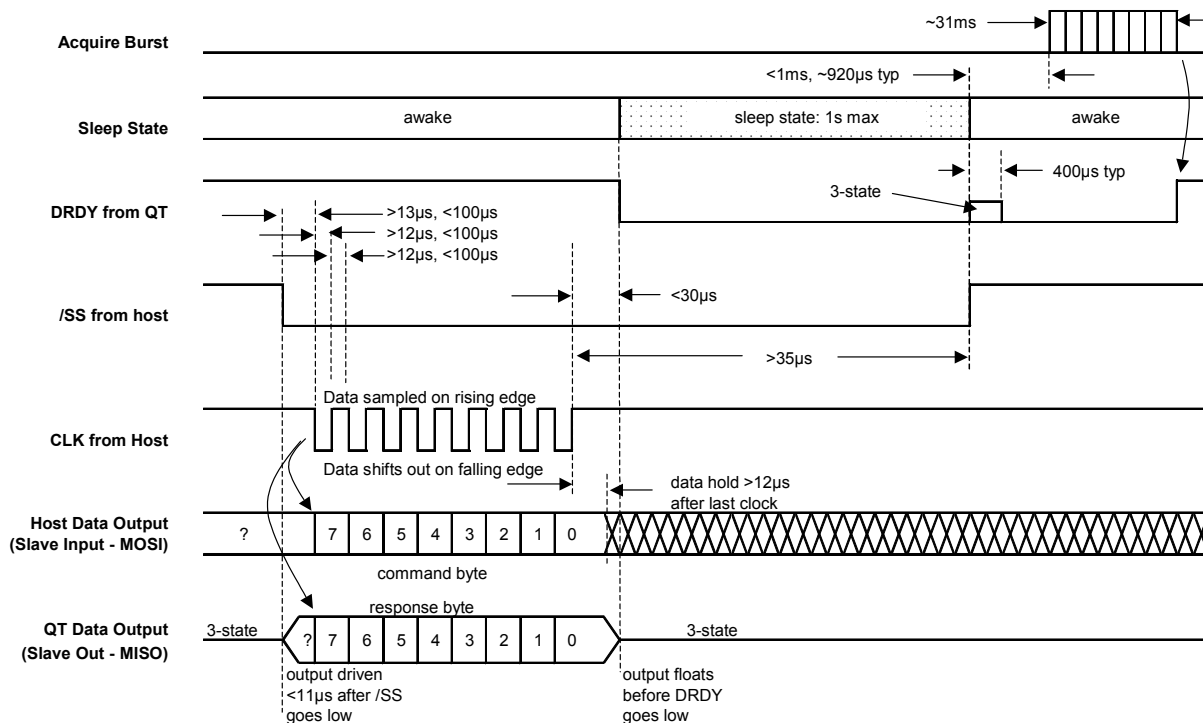
Rs and Cs must both be placed very close to the body of the IC so that the lead lengths between them and the IC do not form an unfiltered antenna at very high frequencies.

PCB layout, grounding, and the structure of the input circuitry have a great bearing on the success of a design to withstand electromagnetic fields and be relatively noise-free.

These design rules should be adhered to for best ESD and EMC results:

1. Use only SMT components.
2. Keep all Cs, Rs, and the Vdd bypass cap close to the IC.
3. Do not place the electrode or its connecting trace near other traces, or near a ground plane.
4. Do use a ground plane under and around the QT401 itself, back to the regulator and power connector (but not beyond the Cs capacitor).
5. Do not place an electrode (or its wiring) of one QT401 device near the electrode or wiring of another device, to prevent cross interference.
6. Keep the electrode (and its wiring) away from other traces carrying AC or switched signals.

Figure 3-1 SPI Timing Diagram



7. If there are LEDs or LED wiring near the electrode or its wiring (ie for backlighting of the key), bypass the LED wiring to ground on both its ends.
8. Use a voltage regulator just for the QT401 to eliminate noise coupling from other switching sources via Vdd. Make sure the regulator's transient load stability provides for a stable voltage just before each burst commences.
9. If Mains noise (50/60 Hz noise) is present, use the Sync feature to suppress it if possible (see Section 1.1).

For further tips on construction, PCB design, and EMC issues browse the application notes and faq at www.qprox.com

3 Serial Communications

The serial interface is a SPI slave-only mode type which is compatible with multi-drop operation, ie the MISO pin will float after a shift operation to allow other SPI devices (master or slave) to talk over the same bus. There should be one dedicated /SS line for each QT401 from the host controller.

A DRDY ('data ready') line is used to indicate to the host controller when it is possible to talk to the QT401.

3.1 Power-up Timing Delay

Immediately after power-up, DRDY floats for approximately 20ms, then goes low. The device requires ~525ms thereafter before DRDY goes high again, indicating that the device has calibrated and is able to communicate.

3.2 SPI Timing

The SPI interface is a five-wire slave-only type; timing is found in Figure 3-1, page 6.

The phase clocking is as follows:

Clock idle:	High
Data out changes on:	Falling edge of CLK from host
Input data read on:	Rising edge of CLK from host
Slave Select /SS:	Negative level frame from host
Data Ready DRDY:	Low from QT inhibits host
Bit length & order:	8 bits, MSB shifts first
Clock rate:	5kHz min, 40kHz max

The host can shift data to and from the QT on the same cycle (overlapping commands). Due to the nature of SPI, the return data from a command or action is always one SPI cycle behind.

An acquisition burst always happens about 920µs after /SS goes high after coming out of Sleep mode.

3.2.1 /SS Line

/SS acts as a framing signal for SPI data clocking under host control. See Figure 3-1.

After a shift operation /SS must go high again, a minimum of 35µs after the last clock edge on CLK. The device automatically goes into sleep state during this interval, and wakes again after /SS rises. If /SS is simply held low after a shift operation, the device will remain in sleep state up to the maximum time shown in Figure 3-1. When /SS is raised, another acquisition burst is triggered.

If /SS is held high all the time, the device will burst in a free-running mode at a ~17Hz rate. In this mode a valid position result can be obtained quickly on demand, and/or one of the two OUT pins can be used to wake the host. This rate depends on the burst length which in turn depends on the value of each Cs and load capacitance Cx. Smaller values of Cs or higher values of Cx will make this rate faster.

Dummy /SS Burst Triggers: In order to force a single burst, a dummy 'command' can be sent to the device by pulsing /SS low for 10µs to 10ms; this will trigger a burst on the rising edge of /SS without requiring an actual SPI transmission. DRDY will fall within 56µs of /SS rising again, and then a burst will occur 1mS later (while DRDY stays low).

After the burst completes, DRDY will rise again to indicate that the host can get the results.

Note: Pin /SS clamps to Vss for 250ns after coming out of sleep state as a diagnostic pulse. To prevent a possible pin drive conflict, /SS should either be driven by the host as an open-drain pull-high drive (e.g. with a 100K pullup resistor), or there should be a ~1K resistor placed in series with the /SS pin.

3.2.2 DRDY Line

The DRDY line acts primarily as a way to inhibit the host from clocking to the QT401 when the QT401 is busy. It also acts to signal to the host when fresh data is available after a burst. The host should not attempt to clock data to the QT401 when DRDY is low, or the data will be ignored or cause a framing error.

On power-up, DRDY will first float for about 20ms, then pull low for ~525ms until the initial calibration cycle has completed, then drive high to indicate completion of calibration. The device will be ready to communicate in typically under 600ms (with Cs1 = Cs2 = 100nF).

While DRDY is a push-pull output, it does float for ~400µs after power-up and after wake from Sleep mode. It is desirable to use a pulldown resistor on DRDY to prevent false signalling back to the host controller; see Figure 1-1 and Section 1.3.

3.2.3 MISO / MOSI Data Lines

MISO and MOSI shift on the falling edge of each CLK pulse. The data should be clocked in on the rising edge of CLK. This applies to both the host and the QT401. The data path follows a circular buffer, with data being mutually transferred from host to QT, and QT to host, at the same time. However the return data from the QT is always the standard response byte regardless of the command.

The setup and hold times should be observed per Figure 3-1.

3.2.4 Sleep Mode

Please refer to Figure 3-1, page 6.

The device always enters low-power sleep mode after an SPI transmission (Figure 3-1), at or before about 35µs after the last rising edge of CLK. Coincident with the sleep mode, the device will lower DRDY. If another immediate acquisition burst is desired, /SS should be raised again at least 35µs after the last rising edge of CLK. To prolong the sleep state, it is only necessary to raise /SS after an even longer duration.

In sleep mode, the device consumes only a few microamps of current. The average current can be controlled by the host, by

adjusting the percentage of time that the device spends in sleep.

The delay between the rising edge of /SS and the following burst is <1ms to allow Vdd to stabilize. If the maximum spec on /SS low (1s) is exceeded, the device will eventually come out of sleep and calibrate again on its own. The 1s is a minimum design guide, not a precise number; the actual time can vary considerably from device to device and should not be relied upon.

The DETECT, PROX, and DRDY lines will float for ~400µs after wake from Sleep mode; see Section 1.3 for details.

After each acquisition burst, DRDY will rise again to indicate that the host can do another SPI transmission.

3.3 Commands

Commands are summarized in Table 3-1. Commands can be overlapped, i.e. a new command can be used to shift out the results from a prior command.

All commands cause a new acquisition burst to occur when /SS is raised again after the command byte is fully clocked.

Standard Response: All SPI shifts return a 'standard response' byte which depends on the touch detection state:

No touch detection: Bit 7 = 0 (0= not touched)
 Bits 6, 5, 4, 3, 2: unused
 Bit 1 = 1 if signal polarity error
 Bit 0 = 1 if prox detection only

Is touch detection: Bit 7 = 1 (1= is touched)
 Bits 0..6: Contain calculated position

Note that touch detection calculated position is based on the results of the prior burst, which is triggered by the prior /SS rising edge (usually, from the prior command, or, from a dummy /SS trigger - see Section 3.2.1).

There are 6 commands as follows.

3.3.1 0x00 - Null Command

7	6	5	4	3	2	1	0
0	0	0	0	0	0	0	0

The Null command will trigger a new acquisition (if /SS rises), otherwise, it does nothing. The response to this command is the Standard Response byte.

This command is predominant once the device has been calibrated and is running normally.

3.3.2 0x01 - Calibrate

0	0	0	0	0	0	0	1
---	---	---	---	---	---	---	---

This command takes ~525ms to complete with the circuit shown in Figure 1-1. This time can be reduced by using smaller Cs capacitors. Smaller Cs capacitors may result in loss of resolution unless the panel thickness is also reduced.

0x01 causes the sensor to do a basic recalibration. After the command is given the device will execute 10 acquisition bursts in a row in order to perform the recalibration, without the need for /SS to trigger each of the bursts. The host should wait for DRDY to rise again after the calibration has completed before shifting commands again.

This command should be given if there is an error flag (bit 1 of the response byte when no touch detection is present). Note that this command cancels the 0x02 'End Calibrate' command if 0x02 was previously issued to the part; if end calibration is desired, the 0x02 command must be reissued again after the 0x01 command.

On power-up the device calibrates itself automatically and so a 0x01 command is not required on startup.

The response to this command is the Standard Response byte.

3.3.3 0x02 - End Calibrate

7	6	5	4	3	2	1	0
0	0	0	0	0	0	1	0

The command takes ~500ms to complete.

The 0x02 command should preferably only be performed after the basic calibration (0x01) is done. If it is done at another time, the end calibration may be inaccurate.

0x02 causes the sensor to relocate the reported endpoints of the slider to automatically correspond to the physical ends, using a special calibration process. After the command is given the device will execute 20 acquisition bursts in a row in order to perform the calibration, without the need for /SS cycles to trigger each of the bursts.

The host should remain quiet during this period and obey DRDY which will remain low until the process is done before shifting the next command.

This command is optional, however if it is not used, two Rs resistors should be used to set the end zones of the slider (See Section 2.3).

Executing a calibrate command (0x01) cancels the End Calibrate mode, and therefore the End Calibrate command has to be performed again if desired. However, once the 0x01 / 0x02 command sequence is performed, it should

TABLE 3-1 - Command Summary

Hex	Command	What it does
0x00	Null	Shift out data; cause acquire burst (if /SS rises again)
0x01	Calibrate	Force recalibration of reference using fixed slider ends; cause 10 sequential bursts Power up default value = calibrated
0x02	End Calibrate	Auto-find slider end points; cause 20 sequential bursts. Power up default value = disabled
0x03	Drift Comp	Drift compensation request; causes acquire burst. Max drift rate is 1 count per ten 0x03's.
0x4P	Prox Thresh	Set prox threshold; causes acquire burst. Bottom 6 bits ('P') are the prox threshold value. (01PP PPPP) Power up default value = 10
0x8T	Touch Thresh	Set touch threshold; causes acquire burst. Bottom 6 bits ('T') are the touch threshold value. (10TT TTTT) Power up default value = 10

normally not be necessary to ever repeat the sequence unless an error flag is found or the part is powered down and back up again.

3.3.4 0x03 - Drift Compensate

7	6	5	4	3	2	1	0
0	0	0	0	0	0	1	1

0x03 causes the sensor to perform incremental drift compensation. This command must be given periodically in order to allow the sensor to compensate for drift. The more 0x03 commands issued as a percentage of all commands, the faster the drift compensation will be.

The 0x03 command must be given 10 times in order for the device to do one count of drift compensation in either direction. The 0x03 command should be used in substitution of the Null command periodically.

Example: The host causes a burst to occur by sending a 0x00 Null command every 50ms (20 per second). Every 6th command the host sends is a 0x03 (drift) command.

The maximum drift compensation slew rate in the reference level is -

$$50\text{ms} \times 6 \times 10 = 3.0 \text{ seconds}$$

The actual rate of change of the reference level depends on whether there is an offset in the signal with respect to the reference level, and whether this offset is continuous or not.

It is possible to modulate the drift compensation rate dynamically depending on circumstances, for example a significant rate of change in temperature, by varying the mix of Drift and Null commands.

If the Drift command is issued while the device is in touch detection (ie bit 7 of the Standard Response byte =1), the drift function is ignored.

Drift compensation during Free-Run mode is fixed at 6, which results in a maximum rate of drift compensation rate of about 3secs / count; see Section 1.2.

The drift compensation rate should be made slow, so that it does not interfere with finger detection. A drift compensation rate of 3s ~ 5s is suitable for almost all applications. If the setting is too fast, the device can become unnecessarily desensitized when a hand lingers near the strip. Most environmental drift rates are of the order of 10's or 100's of seconds per count.

3.3.5 0x4P - Set Proximity Threshold

7	6	5	4	3	2	1	0
0	1	P ₅	P ₄	P ₃	P ₂	P ₁	P ₀

This command is optional, but if it is not given, the proximity detection function will work at a default setting of 10.

The lower 6 bits of this command (P₅..P₀) are used to set the proximity threshold level. Higher numbers are less sensitive (ie the signal has to travel further to cross the threshold).

Operand 'P' can range in value from 0 to 63. Zero (0) should never be used. Very low settings can cause excessive flicker in the proximity result due to low level noise and drift.

The host device can require that the Proximity output be active many times in a row to confirm a detection, to make prox detection more robust.

P is normally in the range from 6 to 10. The prox threshold has no hysteresis and should only be used for non-critical applications where occasional detection bounce is not a problem, like power activation (i.e. to turn on an appliance or a display).

Both the prox bit in the standard response and the PROX pin will go high if the signal exceeds this threshold. The PROX pin can be used to wake an appliance or display as a hand approaches the slider, however the /SS line must remain high so that the device acquires continuously, or /SS has to be at least pulsed regularly (see Section 3.2.1) for this to work.

0x4P power-up default setting: 10

3.3.6 0x8T - Set Touch Threshold

7	6	5	4	3	2	1	0
1	0	T ₅	T ₄	T ₃	T ₂	T ₁	T ₀

The lower 6 bits of this command (T₅..T₀) are used to set the touch threshold level. Higher numbers are less sensitive (ie the signal has to travel further to cross the threshold).

Operand 'T' can range from 0 to 63. Internally the number is multiplied by 4 to achieve a wider range. 0 should never be used.

This number is normally set to 10, more or less depending on the desired sensitivity to touch and the panel thickness. Touch detection uses a hysteresis equal to 12.5% of the threshold setting.

Both the touch bit (bit 7) in the standard response and the DETECT pin will go high if this threshold is crossed. The DETECT pin can be used to indicate to the host that the device has detected a finger, without the need for SPI polling. However the /SS line must remain high constantly so that the device continues to acquire continuously, or /SS has to be at least pulsed regularly (see Section 3.2.1) for this to work.

0x8T power-up default setting: 10

3.4 SPI - What to Send

The host should execute the following commands after powerup self-cal cycle has completed: (assuming a 50ms SPI repetition rate):

- 0x01 - Basic calibration (optional as this is done automatically on power-up)
- 0x02 - End calibration (optional)
- 0x4P - Set prox threshold (optional)
- 0x8T - Set touch threshold (optional)
- An endlessly repeating mixture of:
 - 0x00 (Null) - all commands except:
 - 0x03 (Drift compensate) - replace every nth Null command where typically, n = 6
 - If there is ever an error bit set, send a 0x01 and optionally, a 0x02.

If the error occurs frequently, then perhaps the ratio of drift compensation to Nulls should be increased.

Note: the Null can be replaced by an empty /SS pulse if there is no need for fast updates.

4.1 Absolute Maximum Specifications

Operating temperature range, Ta	-40°C to +85°C
Storage temperature range, Ts	-55°C to +125°C
V _{DD}	-0.5 to +7.0V
Max continuous pin current, any control or drive pin	±20mA
Short circuit duration to ground, any pin	infinite
Short circuit duration to V _{DD} , any pin	infinite
Voltage forced onto any pin	-0.6V to (V _{DD} + 0.6) Volts

4.2 Recommended Operating Conditions

V _{DD}	+2.5 to 5.0V
Supply ripple+noise	5mV p-p max
Cs1, Cs2	22nF to 100nF
Cs1, Cs2 relative matching	10%
Output load, max	±0.5mA

4.3 DC Specifications

V_{DD} = 5.0V, Cs1 = Cs2 = 100nF, 100ms rep rate, Ta = recommended range, all unless otherwise noted

Parameter	Description	Min	Typ	Max	Units	Notes
I _{DD5P}	Peak supply current		0.75	1.5	mA	@ 5V
I _{DD3P}	Peak supply current		0.45	0.6	mA	@ 3V
I _{DD5A}	Average supply current		180		µA	@ 5V
I _{DD3A}	Average supply current		110		µA	@ 3V
V _{DDs}	Supply turn-on slope	100			V/s	Required for proper startup and calibration
V _{IL}	Low input logic level			0.8	V	
V _{HL}	High input logic level	2.2			V	
V _{OL}	Low output voltage			0.6	V	4mA sink
V _{OH}	High output voltage	V _{DD} -0.7			V	1mA source
I _{IL}	Input leakage current			±1	µA	
AR	Acquisition resolution			7	bits	

4.4 AC Specifications

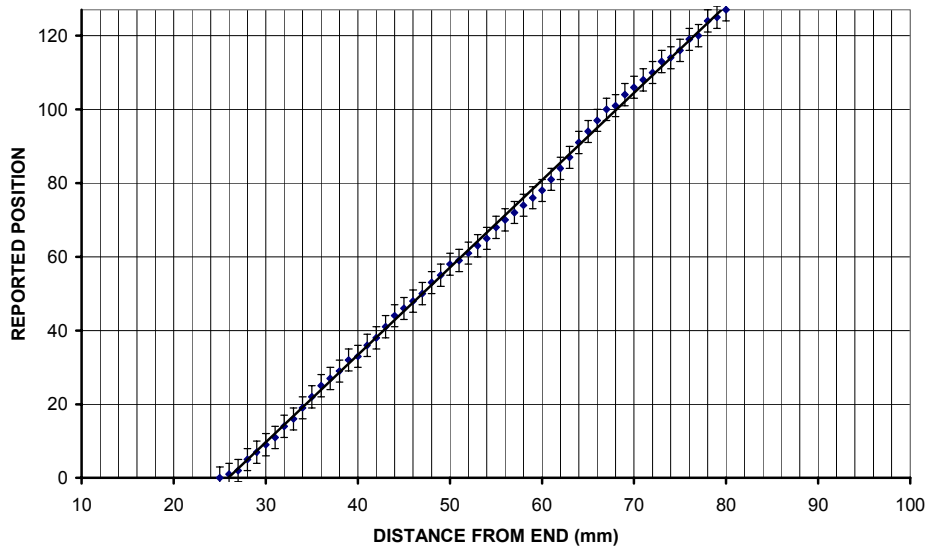
V_{DD} = 5.0V, Cs1 = Cs2 = 100nF, Ta = recommended range, unless otherwise noted

Parameter	Description	Min	Typ	Max	Units	Notes
Tr	Response time		-		ms	Under host control
Sp	Prox Sensitivity	0.15			pF	Variable parameter under host control
Ss	Slide Sensitivity	0.6			pF	Variable parameter under host control
Fqt	Sample frequency	75	87	100	kHz	Modulated spread-spectrum (chirp)
Tqt	QT Pulse width	1.8	2	2.4	µs	Modulated spread-spectrum
Tbs	QT Burst spacing	500			µs	
Td	Power-up delay to operate		500		ms	
Fspi	SPI clock rate	5		40	kHz	

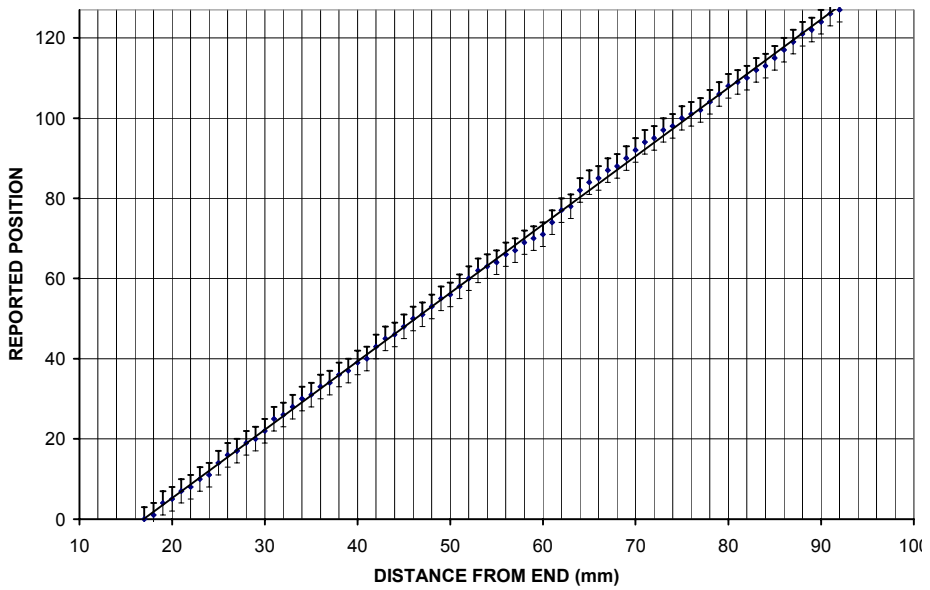
4.5 Signal Processing and Output

Parameter	Description	Min	Typ	Max	Units	Notes
DI	Detection integrator counts		1		counts	Both prox and touch detection
Tp	Threshold, prox	1		63		Host controlled variable
Tt	Threshold, slider touch	1		63		Host controlled variable
Hp	Hysteresis, prox sensing		0		%	% of threshold setting
Ht	Hysteresis, touch sensing		12.5		%	% of threshold setting
Dr	Drift compensation rate			±10	%	% of bursts; host controlled
L	Position linearity		±3		%	Depends on element linearity, layout

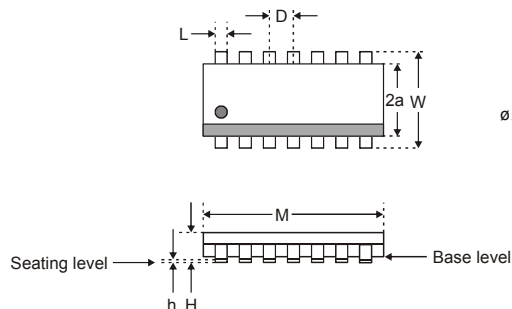
4.6 Typical Position Response - Raw Cal (0x01) Only



4.7 Typical Position Response - After Auto End Cal (0x01 + 0x02)

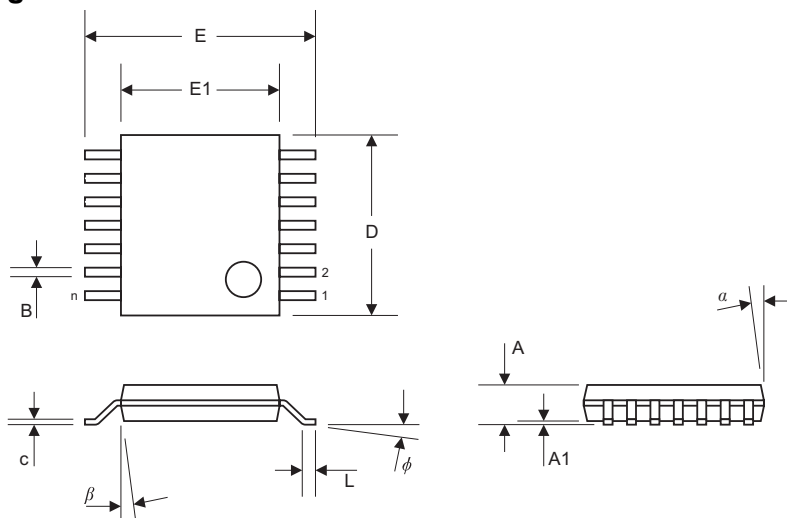


4.8 Small Outline (SO) Package



Package Type: 14 Pin SOIC						
SYMBOL	Millimeters			Inches		
	Min	Max	Notes	Min	Max	Notes
M	8.56	8.81		0.337	0.347	
W	5.79	6.20		0.228	0.244	
2a	3.81	3.99		0.150	0.157	
H	1.35	1.75		0.31	0.33	
h	0.10	0.25		0.004	0.010	
D	1.27	1.27	BSC	0.050	0.050	BSC
L	0.36	0.51		0.014	0.020	
E	0.41	1.27		0.016	0.050	
e	0.20	0.25		0.008	0.010	
B	0.25	0.51		0.014	0.020	
o	0	8		0	8	

4.9 TSSOP Package



Units		INCHES			MILLIMETERS		
Dimension Limits		MIN	NOM	MAX	MIN	NOM	MAX
Number of Pins	n		14			14	
Pitch	p		0.026			0.65	
Overall Height	A			0.043			1.10
Standoff	A1	0.002	0.004	0.006	0.05	0.10	0.15
Overall Width	E	0.246	0.251	0.256	6.25	6.38	6.50
Moulded Package Width	E1	0.169	0.173	0.177	4.30	4.40	4.50
Moulded Package Length	D	0.193	0.197	0.201	4.90	5.00	5.10
Foot Length	L	0.020	0.024	0.028	0.50	0.60	0.70
Foot Angle		0	4	8	0	4	8
Lead Thickness	c	0.004	0.006	0.008	0.09	0.15	0.20
Lead Width	B	0.007	0.010	0.012	0.19	0.25	0.30
Mould Draft Angle Top	a	0	5	10	0	5	10
Mould Draft Angle Bottom		0	5	10	0	5	10

4.10 Ordering Information

PART NO.	TEMP RANGE	PACKAGE	MARKING
QT401-ISG	-40°C ~ +85°C	SO-14	QT401
QT401-ISSG	-40°C ~ +85°C	TSSOP-14	QT401

5 Product Pictures

Figure 5.1 - E401 Eval Product (front, back, pcb rear)

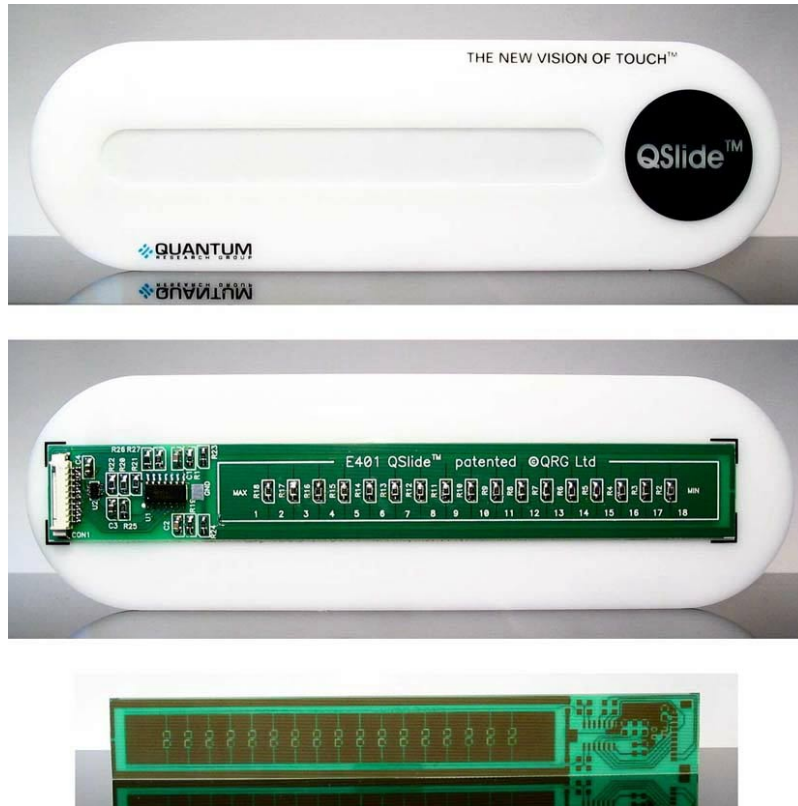
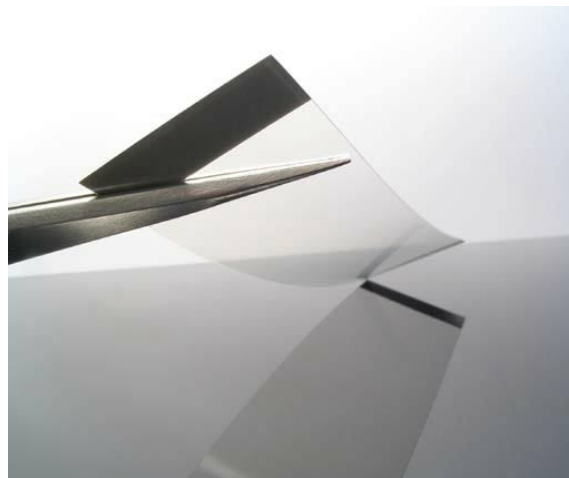


Figure 5.2 - A Clear ITO Slider Sensing Strip
(Courtesy Click-Touch NV, Belgium)



NOTES



Copyright ©2004 QRG Ltd. All rights reserved.
Patented and patents pending

Corporate Headquarters

1 Mitchell Point
Ensign Way, Hamble SO31 4RF
Great Britain
Tel: +44 (0)23 8056 5600 Fax: +44 (0)23 80565600

www.qprox.com

North America

651 Holiday Drive Bldg. 5 / 300
Pittsburgh, PA 15220 USA
Tel: 412-391-7367 Fax: 412-291-1015

This device covered under one or more of the following United States and international patents: 5,730,165, 6,288,707, 6,377,009, 6,452,514, 6,457,355, 6,466,036, 6,535,200. Numerous further patents are pending which may apply to this device or the applications thereof.

The specifications set out in this document are subject to change without notice. All products sold and services supplied by QRG are subject to our Terms and Conditions of sale and supply of services which are available online at www.qprox.com and are supplied with every order acknowledgment. QProx, QTouch, QMatrix, QLevel, QWheel, QView, QScreen, and QSlide are trademarks of QRG. QRG products are not suitable for medical (including lifesaving equipment), safety or mission critical applications or other similar purposes. Except as expressly set out in QRG's Terms and Conditions, no licenses to patents or other intellectual property of QRG (express or implied) are granted by QRG in connection with the sale of QRG products or provision of QRG services. QRG will not be liable for customer product design and customers are entirely responsible for their products and applications which incorporate QRG's products.

Development Team: Martin Simmons, Samuel Brunet, Luben Hristov