

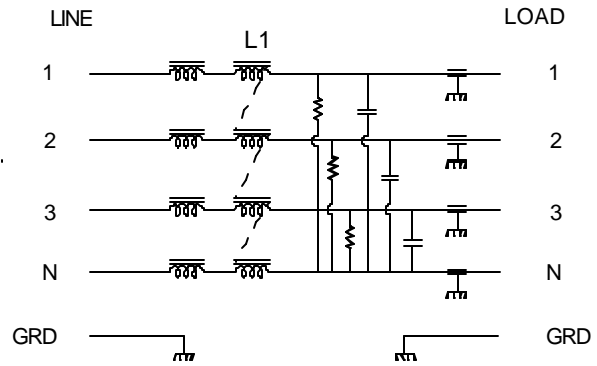


# 1138 SERIES

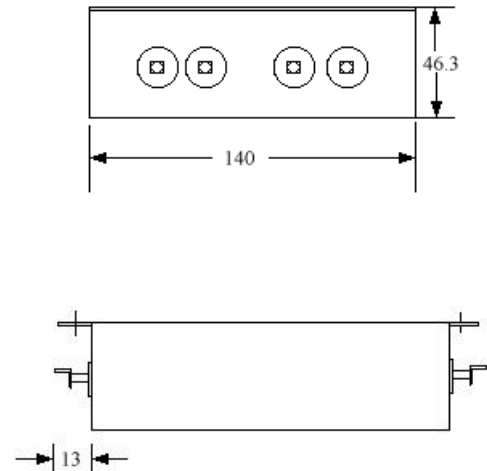
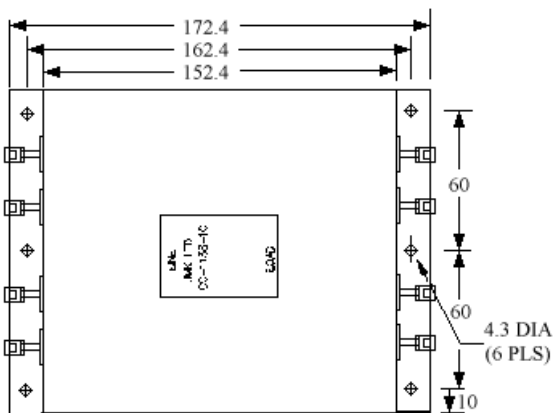
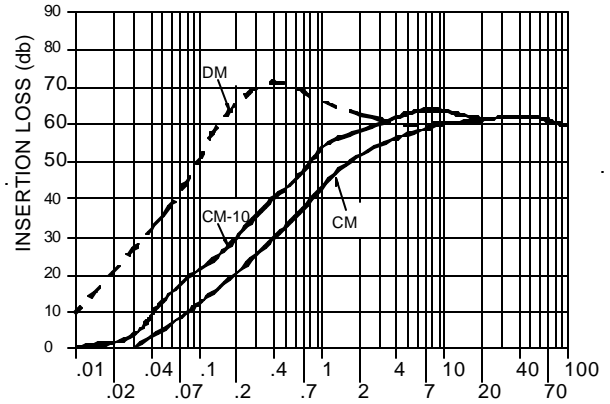
Operating Voltage = 250/480 V~, 50 / 60 Hz  
 Operating Voltage = 125/208 V~, 50 – 400 Hz  
 Operating Current = 10, 15 Amp / Phase  
 Temperature Range = -20 TO 50 Deg. C  
 Diel. Withstand (L-CASE) = 1500 V~ FOR 1 MIN.  
 Diel. Withstand (L-L) = 1500 Vdc For 1 Min.  
 Leakage Current = 3.8 ma @ 250 V~, 60 Hz  
 Discharge Volt after 1.0 second = 24 V Max.  
 Maximum Capacitance each line to case = 0.02  $\mu$ F

Order P/N: 10 Amp: CC-1138-10  
 15 Amp: CC-1138-15

The 1138 series is a 3 phase WYE filter. This series is designed to be used with military systems which require to meet the conducted emissions of MIL STD-461C / CE03. Minor modifications can be done to adjust the filter configuration in order to meet any special environmental or vibration specifications.



INSERTION LOSS vs FREQUENCY  
 1138 SERIES



USA JMK Inc 15 Caldwell Dr. Amherst, NH 03031 PH: 603 886-4100 FX: 603 886-4115  
 email: info@jmkfilters.com  
 EUR JMK Glasgow G13 1DN Scotland UK PH: 44-(0) 7785310729 FX: 44-(0) 141 589 1884