

New

MT series

Sealed selector switch

11/16 threaded bushing



- Environmentally sealed toggle switch (IP68)
- Multiple single pole functions available
- Various contact materials that allow for usage from dry circuit applications up to 6A 125VAC, 3A 250VAC

SPECIFICATIONS

- Current/voltage rating with resistive load :

Contact	Maximum	Minimum	Level*
Silver (A)	3A 250VAC - 6A 125VAC - 4A 30VDC	50mA 10VDC	III and IV
Silver, gold plated (AD)	3A 250VAC - 6A 125 VAC - 4A 30VDC Gold plating withstands up to 100mA 30VDC	10mA 50mV 10 μ A 5V	I to IV
Brass, gold plated (CD)	0,4 VA at 20VAC or DC	10mA 50mV 10 μ A 5V	I and II

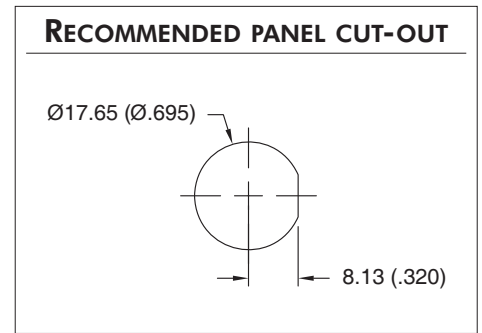
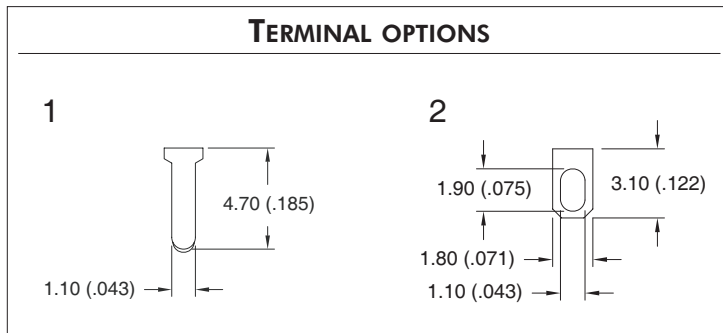
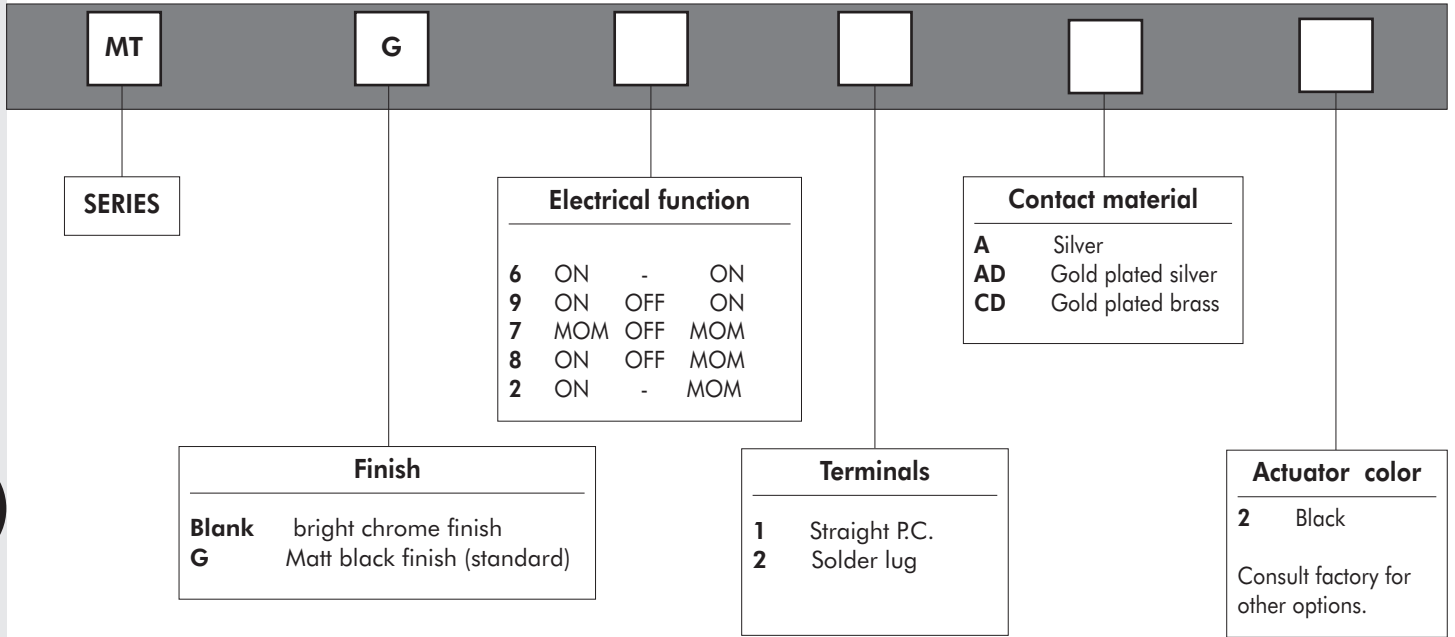
- Initial contact resistance : 10 m Ω max.
- Insulation resistance : 1.000 M Ω min. at 500VDC
- Dielectric strength :
 - 1.000 Vrms 50 Hz min. between terminals
 - 1.500 Vrms 50 Hz min. between terminals and frame
- Contact bounce : 2 ms max.
- Electrical life at full load : 50.000 cycles
- Low level or mechanical life : 100.000 cycles
- Operation temperature: -40°C to +85°C

MATERIALS

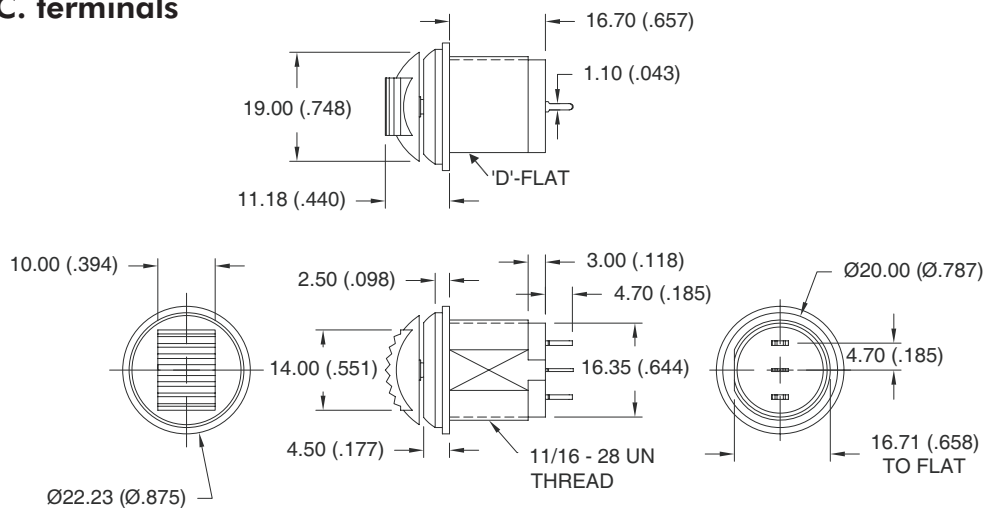
- Actuator : 6/6 Nylon
- Bushing : brass, nickel plated
- Contacts
 - A : silver
 - AD : silver, gold plated
 - CD : brass, gold plated
- Terminal seal : epoxy

MT series

Sealed selector switch



Sealed Selector with P.C. terminals



Mounting accessories : standard hardware supplied with all models one hex nut 20.64 (.813) across flats, and one sealing gasket



Packaging unit : 25 pieces or 50 pieces depending on model