

# MF1084V-3

FOR DCS MOBILE TELEPHONE, Tx

MF1084V-3

## DESCRIPTION

This SAW filter for the transmitting RF circuit of DCS mobile communication equipment operating at 1710 MHz ~ 1785 MHz.

## FEATURES

1. SMD package insures small size, lightweight.
2. Adjustment free.
3. Low insertion loss and high stop band attenuation.
4. Wide and sharp passband characteristics.
5. High stability and reliability.
6. Designed for reflow solderings.

## APPLICATION

- Mobile cellular telephone
- Portable digital cellular telephone
- Wireless equipment

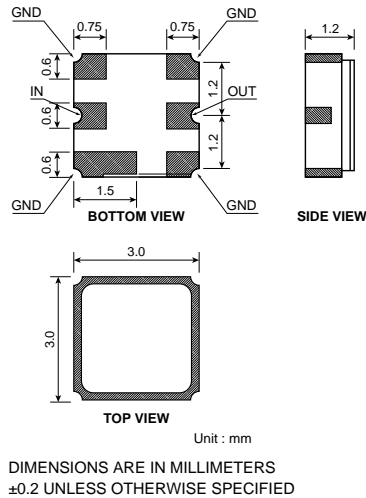
## MAXIMUM RATINGS

Rating	Value	Unit
Input Power	20	mW
Operating Temperature Range	-20 to 75	°C
Storage Temperature Range	-30 to 85	°C

## ELECTRICAL PERFORMANCE

Parameter	MF1084V-3			Units
	Min	Typ	Max	
PASSBAND FREQUENCY	1710 ~ 1785			MHz
PASSBAND CHARACTERISTICS	Insertion Loss	3.6	4.2	dB
	Ripple	2.0	2.7	dB
	VSWR	2.4	3.0	
STOPBAND ATTENUATION	0 ~ 1500 MHz	17	19	dB
	1500 ~ 1670 MHz	20	23	dB
	1805 ~ 1880 MHz	7	18	dB
	1880 ~ 3000 MHz	20	24	dB

## PACKAGE OUTLINE DIMENSIONS



## MF1084V-3 TYPICAL CHARACTERISTICS

