

MF1050S-1

FOR DIGITAL MOBILE TELEPHONE, Rx

MF1050S-1

DESCRIPTION

This SAW filter for the receiving RF circuit of digital mobile communication equipment operating at 1477 MHz ~ 1501 MHz.

FEATURES

1. SMD package insures small size, lightweight.
2. Adjustment free.
3. Low insertion loss and high stop band attenuation.
4. Wide and sharp passband characteristics.
5. High stability and reliability.
6. Designed for reflow solderings.

APPLICATION

- Digital mobile cellular telephone
- Portable digital cellular telephone
- Wireless equipment

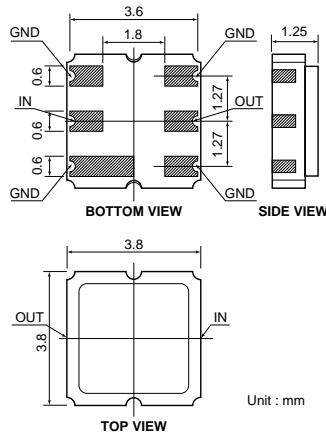
MAXIMUM RATINGS

Rating	Value	Unit
Input Power	40	mW
Operating Temperature Range	-20 to 75	°C
Storage Temperature Range	-30 to 85	°C

ELECTRICAL PERFORMANCE

Parameter	MF1050S-1			Units
	Min	Typ	Max	
PASSBAND FREQUENCY	1477 ~ 1501			MHz
PASSBAND CHARACTERISTICS	Insertion Loss	2.2	2.8	dB
	Ripple	0.8	1.5	dBp-p
	VSWR	1.8	2.5	
STOPBAND ATTENUATION	0 ~ 1050 MHz	30	35	dB
	1050 ~ 1380 MHz	20	23	dB
	1429 ~ 1453 MHz	5	10	dB
	1607 ~ 1631 MHz	30	35	dB
	1737 ~ 1761 MHz	30	33	dB
	1761 ~ 3000 MHz	20	23	dB

PACKAGE OUTLINE DIMENSIONS



DIMENSIONS ARE IN MILLIMETERS
±0.2 UNLESS OTHERWISE SPECIFIED

MF1050S-1 TYPICAL CHARACTERISTICS

