

MC44871

Advance Information

PLL Tuning Circuit with DC-DC Converter, I²C Bus and ADC

The MC44871 is a tuning circuit for TV, VCR and Multimedia tuner applications. This device contains on one chip all the functions required for PLL control of a VCO. This integrated circuit also contains a high frequency prescaler and thus can handle frequencies up to 1.3 GHz.

The MC44871 has an integrated dc/dc converter to generate the 30 V supply voltage for the tuning amplifier on the chip. A tuner using the MC44871 does not require an external 30 V supply.

The MC44871 is controlled by a I²C bus, and has a chip address function. The MC44871 data format is the same as the MC44818.

The MC44871 is manufactured on a single silicon chip using Motorola's high density bipolar process, MOSAIC™ (Motorola Oxide Self Aligned Implanted Circuits).

- The Pin Called V_{CC2} for the MC44818 is Now Called CP (Charge Pump). This Pin is the Output of the DC/DC Converter; a 1.0 nF Capacitor Replaces the Need for an External 30 V Supply
- High Speed I²C Bus (up to 800 kHz)
- I²C Bus Read Mode for Lock Detector and AFC Level
- HF Input is Balanced
- MC44871 has Three PNP High Current (30 mA) Band Buffers (B0, B1, B2) and One NPN Low Current (5.0 mA) Band Buffer (B4)
- V_{CC} Internally Supplies PNP Band Buffers
- The Tuning Voltage is Generated Through an External Pull-Up Resistor (750 kΩ)
- Less Phase Comparator Output Current
- Single 5.0 V Supply Operation

MOSAIC is a trademark of Motorola, Inc.

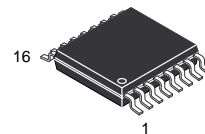
ORDERING INFORMATION

Device	Operating Temperature Range	Package
MC44871DTB	T _A = -20° to +85°C	TSSOP-16

PLL TUNING CIRCUIT

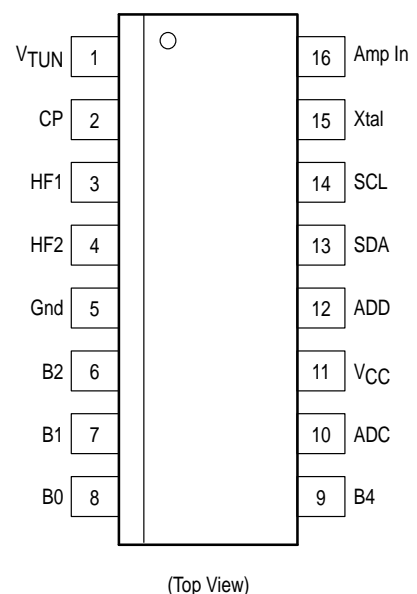
**WITH HIGH SPEED I²C BUS
AND 30 V TUNING SUPPLY**

**SEMICONDUCTOR
TECHNICAL DATA**



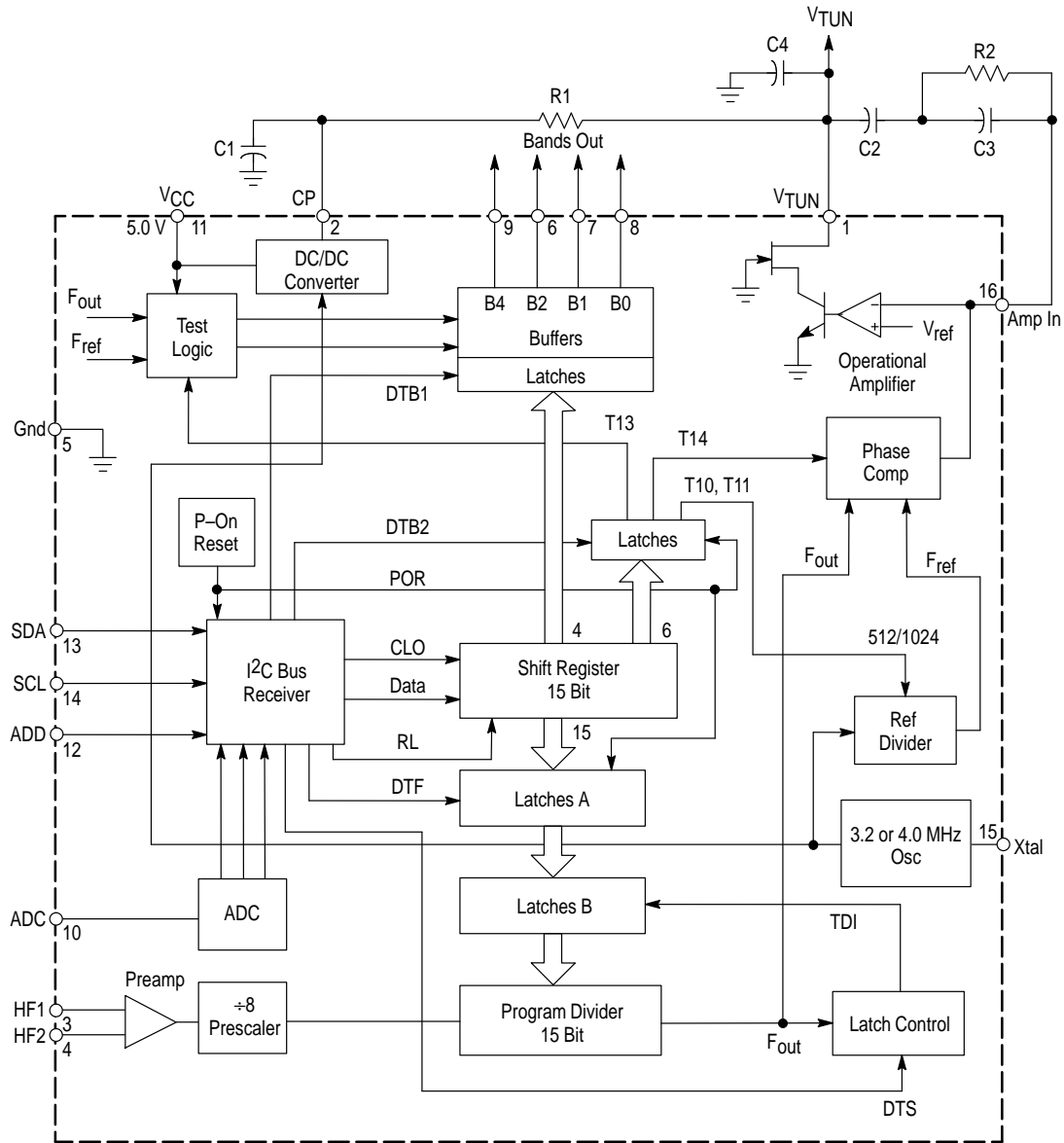
DTB SUFFIX
PLASTIC PACKAGE
CASE 948F
(TSSOP-16)

PIN CONNECTIONS (16 Pin TSSOP)



MC44871

Figure 1. Representative Block Diagram



This device contains 3,204 active transistors.

Approximate values of the external components for generation of the tuning voltage are:

- | | |
|--|-----------------------------------|
| C1 = 1.0 nF | Charge Pump filter capacitor |
| R1 = 750 k Ω (560 k Ω minimum) | Pull-up resistor |
| C4 = 330 pF | V _{TUN} filter capacitor |
| C2 = 47 nF, C3 = 22 nF, R2 = 39 k Ω | Loop filter |
- These component values depend on the application.

MC44871

MAXIMUM RATINGS (Maximum ratings are those values beyond which permanent damage to the device may occur. Exposure to those limits may also affect device reliability; $T_A = 25^\circ\text{C}$, unless otherwise noted.)

Rating	Pin	Value	Unit
Power Supply Voltage (V_{CC})	11	6.0	V
Storage Temperature	–	–65 to +150	$^\circ\text{C}$
Operating Temperature Range	–	–20 to +85	$^\circ\text{C}$
Operational Amplifier Output Voltage	1	40	V
RF Input Level 80 MHz to 1.3 GHz	3, 4	1.5	V _{rms}
NPN Band Buffer "Off" Voltage	9	10	V
NPN Band Buffer "On" Current	9	15	mA
PNP Band Buffer "Off" Voltage	6, 7, 8	6.0	V
PNP Band Buffer "On" Current	6, 7, 8	50	mA
PNP Band Buffer – Short Circuit Duration (Note 1)	6, 7, 8	Continuous	–
Band Buffer Operation at 40 mA all PNP Buffers "On"	6, 7, 8	10	s

NOTES: 1. At $V_{CC} = 5.0\text{ V}$ and $T_A = -20^\circ$ to $+80^\circ\text{C}$ one buffer "On" only.
2. ESD data available upon request.

ELECTRICAL CHARACTERISTICS (Parameter Type: A–100% Tested, B–100% Correlation Tested, C–Characterized on Samples, D–Design Parameter, $V_{CC} = 5.0\text{ V}$, $T_A = 25^\circ\text{C}$, unless otherwise specified, 750 k Ω pull-up resistor between CP [Pin2] and VTUN [Pin 1].)

Characteristic	Pin	Min	Typ	Max	Unit	Type
V_{CC} Supply Voltage Range	11	4.5	5.0	5.5	V	A
V_{CC} Supply Current (All Buffers "Off")	11	–	35	45	mA	A
One Buffer "On" when Open		–	40	50		B
One Buffer "On" at 40 mA		–	80	90		B
PNP Band Buffer B0, B1, B2 Leakage Current when "Off"	6, 7, 8	–	0.01	1.0	μA	A
PNP Band Buffer B0, B1, B2 Saturation Voltage when "On" at 30 mA	6, 7, 8	–	200	500	mV	B
NPN Band Buffer B4 Leakage Current when "Off"	9	–	0.01	1.0	μA	A
NPN Band Buffer "Off" Voltage	9	0	–	5.5	V	D
NPN Band Buffer B4 Saturation Voltage when "On" at 1.0 μA	9	–	50	100	mV	A
NPN Band Buffer B4 Voltage when "On" @ 5.0 mA	9	–	1.2	1.6	V	A
Reference Oscillator Frequency Range	15	3.15	3.2	4.05	MHz	D
Phase Comparator 3–State Current	16	–15	0	15	nA	A
Phase Comparator Output Current – High Value	16	12	20	28	μA	A
Phase Comparator Output Current – Low Value	16	2.0	6.0	10	μA	A
DC–DC Converter Output Voltage, Sourcing 50 μA	2	28	31	34.5	V	A
DC–DC Converter Maximum Current, Output Short Circuited	2	–	200	350	μA	A
DC–DC Converter setting time from $V_{CC} > 4.5\text{ V}$ to DC–DC Converter Voltage $> 28\text{ V}$ @ Load = 750 k Ω /1.0 nF	2	–	–	25	ms	C
Operational Amplifier Internal Reference Voltage (V_{ref})	–	1.3	1.9	2.5	V	A
Operational Amplifier Input Current	16	–15	0	15	nA	A
Operational Amplifier DC Open Loop Gain	–	100	300	–	–	A
Operational Amplifier Gain Bandwidth Product ($C_L = 1.0\text{ nF}$)	–	0.3	–	–	MHz	D
Operational Amplifier Low Output Voltage, Sinking 50 μA	16	–	0.2	0.4	V	D
Oscillator – Negative Resistance	15	1.0	–	–	k Ω	D

MC44871

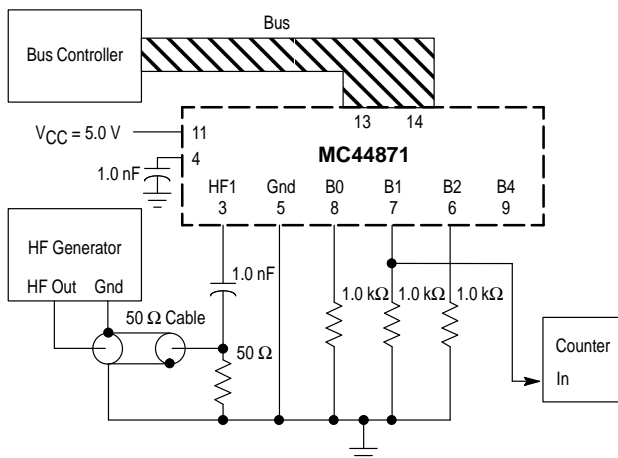
PIN FUNCTION DESCRIPTION (see Figure 1)

Pin	Symbol	Description
1	V _{TUN}	Operational amplifier output which provides the tuning voltage
2	CP	DC-DC Converter output (Charge Pump)
3, 4	HF1, HF2	Symmetrical HF inputs
5	Gnd	Ground
6, 7, 8	B2, B1, B0	PNP Band Buffer outputs
9	B4	NPN Band Buffer output
10	ADC	Three bit ADC for Automatic Frequency Tuning, readable through the bus
11	V _{CC}	Positive supply of the circuit (5.0 V)
12	ADD	Chip address function
13	SDA	I ² C bus Data Input/Output
14	SCL	I ² C bus Clock
15	Xtal	Crystal Oscillator (3.2 MHz or 4.0 MHz)
16	Amp In	Operational amplifier input

HF INPUT SENSITIVITY AND OVERLOAD CHARACTERISTICS (V_{CC} = 5.0 V, T_A = 25°C.) (See Figure 2.)

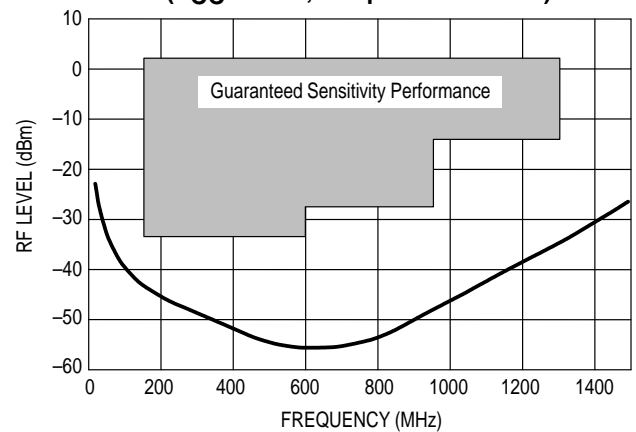
Characteristics	Pin	Min	Typ	Max	Unit	Type
DC Bias (Internal)	3, 4	–	1.6	–	V	A
80–150 MHz	3, 4	10	–	315	mVrms	C
150–600 MHz	3, 4	5.0	–	315	mVrms	C
600–950 MHz	3, 4	10	–	315	mVrms	C
950–1300 MHz	3, 4	50	–	315	mVrms	C

Figure 2. HF Sensitivity Test Circuit



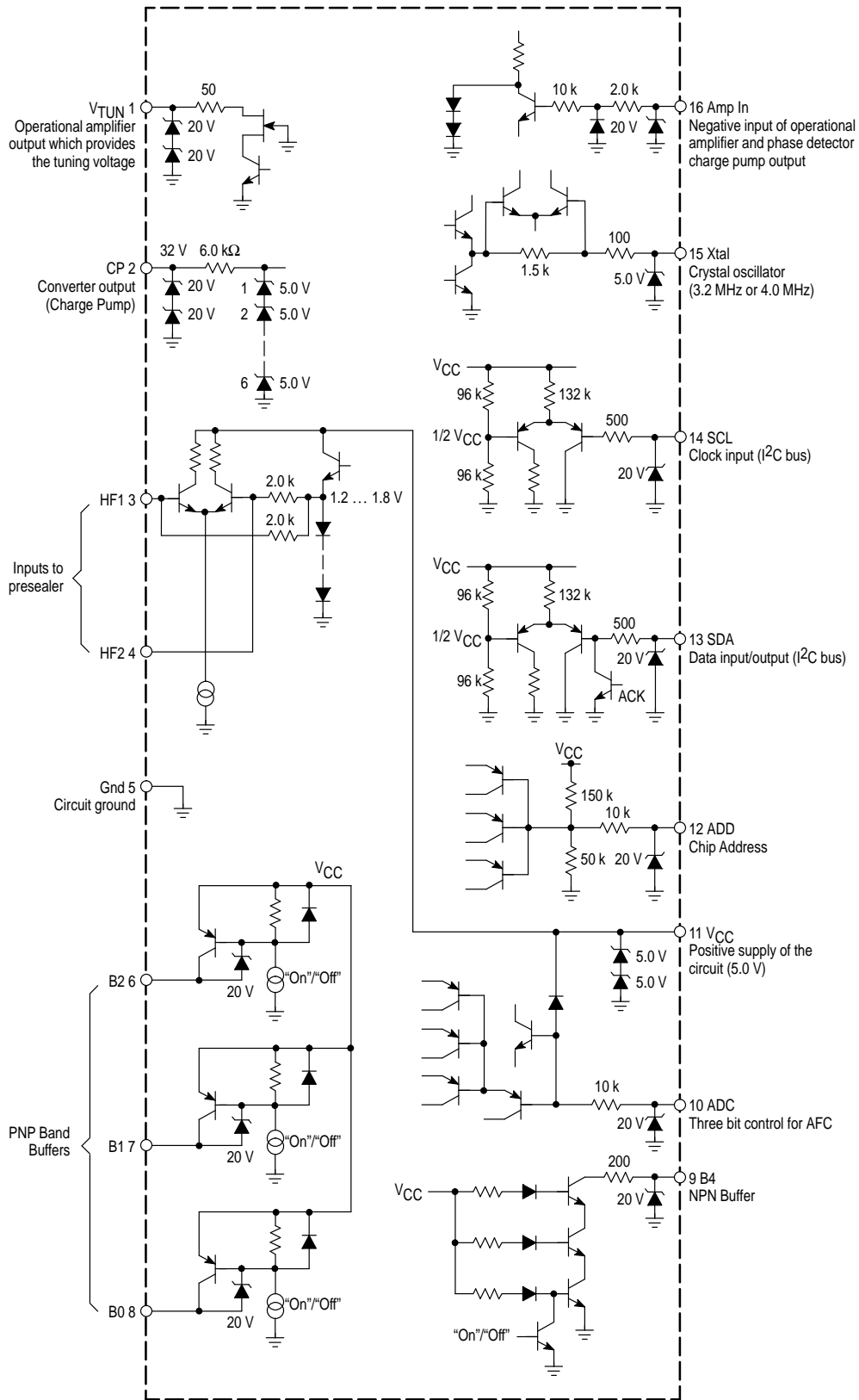
NOTE: 1. Device is in test mode. B1, B2 are "On" and B0, B4 are "Off". Sensitivity is level of HF generator on 50 Ω load.

Figure 3. Typical HF Sensitivity Performance (V_{CC} = 5.0 V, Temperature = 25°C)



MC44871

Figure 4. Pin Circuit Schematic



MC44871

HIGH SPEED I²C BUS (The circuit is controlled by a I²C bus with a Serial Data [SDA], Serial Clock [SCL], Chip Address Control [ADD] inputs. The device I²C bus has a read mode [odd addresses] and a write mode [even addresses].)

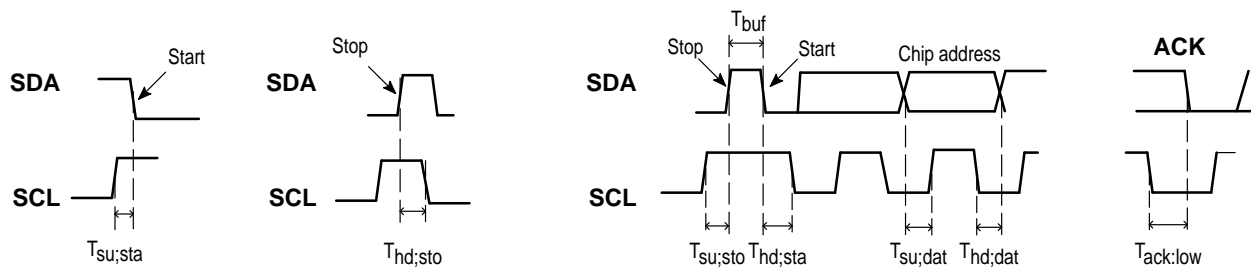
ELECTRICAL CHARACTERISTICS ($V_{CC} = 5.0\text{ V}$, $T_A = 25^\circ\text{C}$, unless otherwise specified.)

Characteristic	Pin	Symbol	Min	Typ	Max	Unit	Type
SDA/SCL Output Current at 0 V	13, 14		–	–	10	μA	A
SDA/SCL Low Input Level	13, 14	V_{IL}	–	–	1.5	V	B
SDA/SCL High Input Level	13, 14	V_{IH}	3.0	–	–	V	B
SDA/SCL Input Current for Input Level from 0.4 V to 0.3 V_{CC}	13, 14		–5.0	0	5.0	μA	C
SDA/SCL Input Level	13, 14		0	–	$V_{CC} + 0.3$	V	D
ADD Input Level	12		–0.01 V_{CC}	–	1.1 V_{CC}		D
SDA/SCL Capacitance	13, 14	C_i	–	–	10	pF	C
SDA Low Output Level (sinking 3.0 mA)	13		–	0.3	1.0	V	A
SDA Low Output Level (sinking 15 mA)	13		–	–	1.5	V	C

TIMING CHARACTERISTICS

Characteristic	Pin	Symbol	Min	Typ	Max	Unit	Type
Bus Clock Frequency	14		0	–	800	kHz	C
Bus Free Time Between Stop and Start	–	T_{buf}	200	–	–	ns	C
Setup Time for Start Conditions	–	$T_{su;sta}$	500	–	–	ns	C
Hold Time for Start Condition	–	$T_{hd;sta}$	500	–	–	ns	C
Data Setup Time	–	$T_{su;dat}$	0	–	–	ns	C
Data Hold Time	–	$T_{hd;dat}$	0	–	–	ns	C
Setup Time for Stop Condition	–	$T_{su;sto}$	500	–	–	ns	C
Hold time for Stop Condition	–	$T_{hd;sto}$	500	–	–	ns	C
Acknowledge Propagation Delay		$T_{ack;low}$	–	–	300	ns	C
SDA Fall Time at 3.0 mA sink I and 130 pF Load	13		–	–	50	ns	C
SDA Fall Time at 3.0 mA sink I and 400 pF Load	13		–	–	80	ns	C
SDA/SCL Rise Time	13, 14		–	–	300	ns	C
SCL Fall Time	13, 14		–	–	300	ns	C
Pulse Width of Spikes Suppressed by the Input Filter	13, 14	T_{sp}	–	–	50	ns	C

Timings Definition



Levels Definition

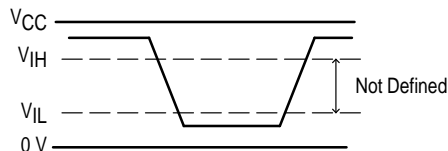
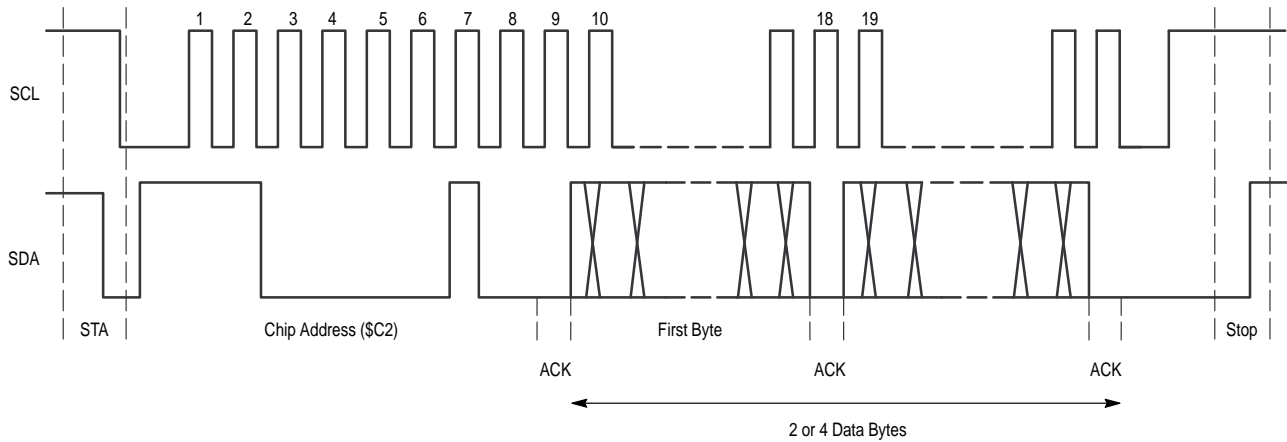


Figure 5. High Speed I²C Compatible Bus Data Format



I²C Write Mode Format and Bus Receiver

The incoming information, consisting of a chip address byte followed by two or four data bytes, is treated in the I²C bus receiver. The definition of the permissible bus protocol is shown below:

- 1_STA CA CO BA FM FL STO
- 2_STA CA FM FL CO BA STO
- 3_STA CA CO BA STO
- 4_STA CA FM FL STO

- STA = Start Condition
- CA = Chip Address Byte
- CO = Control Information
- BA = Band Information
- FM = Frequency Information with MSB
- FL = Frequency Information with LSB
- STO = Stop Condition

Figure 5 shows the five bytes of information that are needed for circuit operation: the chip address, two bytes of control and information, and two bytes of frequency information.

After the chip address, two or four data bytes may be received: if three data bytes are received, the third one is

ignored. If five or more data bytes are received, the fifth and following ones are ignored, and the last acknowledge pulse is sent at the end of the fourth data byte.

The first and the third data bytes contain a function bit which allows the IC to distinguish between frequency information and control plus band information. If the function bit is logic “1”, the two following bytes contain control and band information. The first data byte, after the chip address, may be byte CO or byte FM. The two bytes of frequency information are preceded by a logic “0”.

Chip Address

Even addresses are for write mode, and odd addresses are for read mode. Chip address is programmable by Pin 12 (ADD).

ADD Pin 12	Address (HEX.)
-0.01 V _{CC} to 0.1 V _{CC}	C0/C1
0.2 V _{CC} to 0.3 V _{CC} (or Open)	C2/C3
0.4 V _{CC} to 0.7 V _{CC}	C4/C5
0.8 V _{CC} to 1.1 V _{CC}	C6/C7

The Two Permissible Protocols with Five Bytes

CA_Chip Address	1	1	0	0	0	0/1	0/1	0	ACK
CO_Control Information	1	T14	T13	T12	T11	T10	T9	T8	ACK
BA_Band Information	X	X	X	B4	X	B2	B1	B0	ACK
FM_Frequency Information	0	N14	N13	N12	N11	N10	N9	N8	ACK
FL_Frequency Information	N7	N6	N5	N4	N3	N2	N1	N0	ACK

CA_Chip Address	1	1	0	0	0	0/1	0/1	0	ACK
FM_Frequency Information	0	N14	N13	N12	N11	N10	N9	N8	ACK
FL_Frequency Information	N7	N6	N5	N4	N3	N2	N1	N0	ACK
CO_Control Information	1	T14	T13	T12	T11	T10	T9	T8	ACK
BA_Band Information	X	X	X	B4	X	B2	B1	B0	ACK

I²C Read Mode Format

The incoming information consists of the chip address byte in read mode (odd address). The device then answers with an acknowledge followed by a byte containing lock and ADC information. There is no ACK pulse sent after this byte.

1_STA CA ADC_LO
 ADC_LO = ADC and Lock information

I²C Read Format

CA_Chip Address	1	1	0	0	0	0/1	0/1	1	ACK
ADC_LO	1	LO	X	X	X	AD2	AD1	AD0	(no ACK)

Definition of the Bits for Test and Features

Bits B0, B1, B2: Control the PNP Band Buffers

B0, B1, B2 = 0	Buffer is "Off", Output Low
= 1	Buffer is "On", Output High

Bit B4: Controls the NPN Band Buffer

B4 = 0	Buffer is "Off", Output High
= 1	Buffer is "On", Output Low

Bit T8: Controls the Operational Amplifier Output

T8	Operation
T8 = 0	Operational Amplifier Normal Operation
= 1	Output State of Operational Amplifier Switched Off Output Pulls High through External Resistor

Bit T10, T11: Control the Reference Divider

T10	T11	Divider Ratio
0	0	512
0	1	1024
1	0	1024
1	1	512

Bit T9, T12: Control the Phase Comparator

T9	T12	Function
0	0	Upper Source Only
0	1	Lower Source Only
1	0	Normal Operation
1	1	High Impedance

Bit T13: Switches the Band Buffer Output to Test Mode

T13 = 0	Normal Operation
= 1	Test Mode: F_{ref} Out at B2 F_{by2} Out at B1

In the test mode, B2 and B1 have to be ON ($B2=B1=1$). F_{ref} is the reference frequency. F_{by2} is the output frequency of the programmable divider divided-by-2.

Bit T14: Controls the Charge Pump Current

T14 = 0	Pump Current 5.0 μ A
= 1	Pump Current 20 μ A

Bit AD2, AD1, AD0: Indicate the ADC Pin Analog Level

ADC Input Voltage	AD2	AD1	AD0
0 to 0.18 V_{CC}	0	0	0
0.18 to 0.34 V_{CC}	0	0	1
0.34 to 0.5 V_{CC}	0	1	0
0.5 to 0.66 V_{CC}	0	1	1
0.66 to 0.82 V_{CC}	1	0	0
0.82 to 1.0 V_{CC}	1	0	1

Bit LO: Indicates the Status of Lock Detector

LO = 0	PLL Status Not Locked
LO = 1	PLL Status Locked

Figure 6. Equivalent Circuit of the Integrated PNP Band Buffers

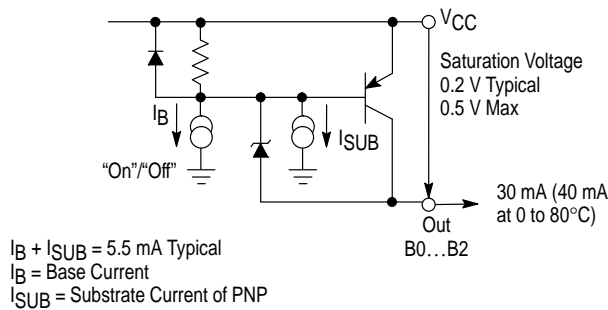
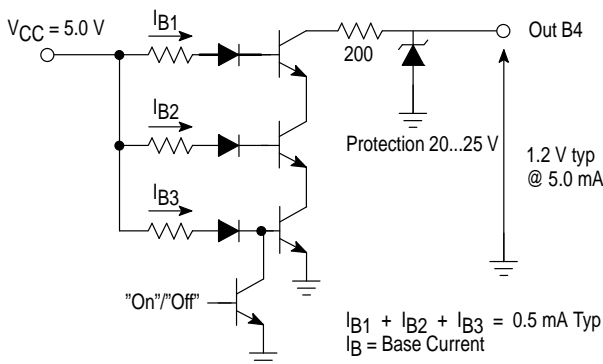


Figure 7. Equivalent Circuit of the Integrated NPN Band Buffer



OPERATING DESCRIPTION

Introduction

A representative block diagram and typical system application are shown in Figures 1 and 8. A discussion of the features and function of each of the internal blocks is given.

The Programmable Divider

The programmable divider is a presettable down counter. When it has counted to zero it takes its required division ratio out of the latches B. Latches B are loaded from latches A by means of signal TDI which is synchronous to the programmable divider output signal.

Since latches A receive the data asynchronously with the programmable divider; this double latch scheme is needed to assure correct data transfer to the counter.

The division ratio definition is given by:
 $N = 16384 \times N_{14} + 8192 \times N_{13} + \dots + 4 \times N_2 + 2 \times N_1 + N_0$
 Maximum Ratio 32767 Minimum Ratio 256

$N_0 \dots N_{14}$ are the different bits for frequency information.

At power-on the whole bus receiver is reset and the programmable divider is set to a counting ratio of $N = 256$ or higher.

The Prescaler

The divide-by-8 prescaler has a preamplifier which guarantees high input sensitivity.

The Phase Comparator

The phase comparator is both phase and frequency sensitive and has very low output leakage current in the high impedance state.

The Operational Amplifier

The operational amplifier is designed for very low noise, low input bias current and high power supply rejection. The positive input is biased internally. The operational amplifier output (Pin 1) needs an external 750 k Ω pull-up resistor (560 k Ω minimum). This minimum value is defined by the charge pump output current capability.

The Oscillator

The oscillator uses a 3.2 or a 4.0 MHz crystal tied to ground in series with a capacitor. The crystal operates in the series resonance mode.

The voltage at Pin 15 has low amplitude and low harmonic distortion.

Power Dissipation

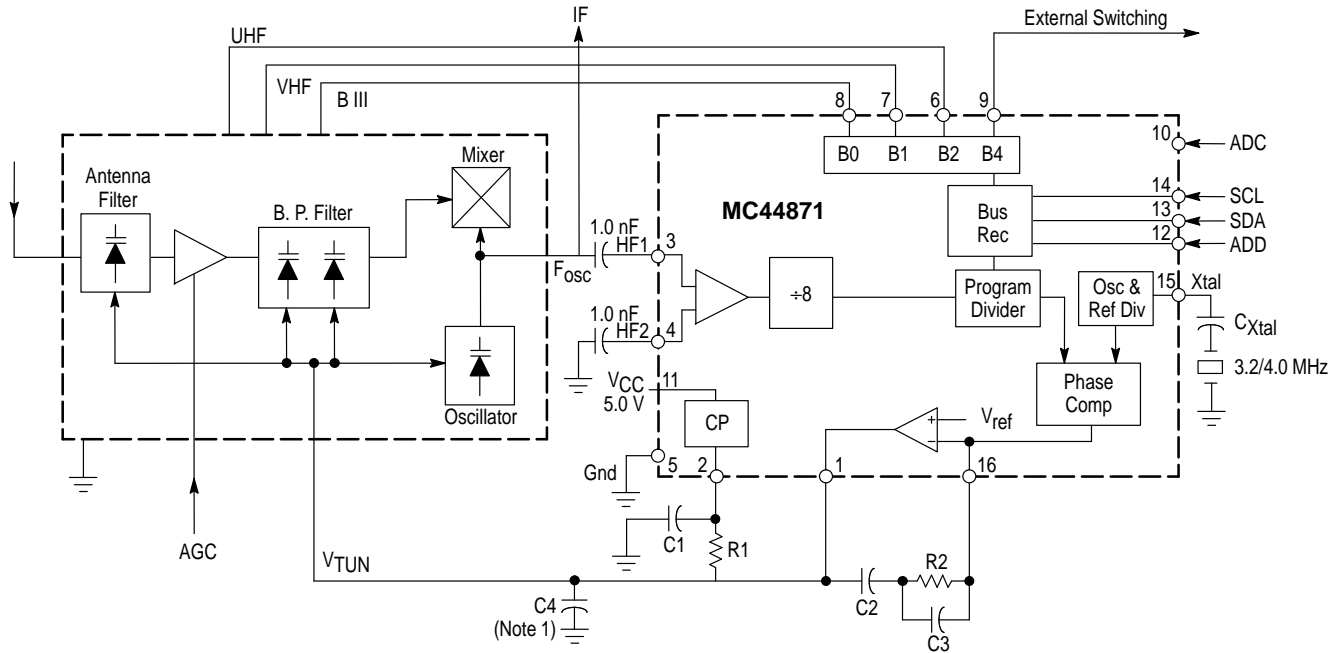
The typical power dissipation of the circuit is about 200 mW ($V_{TUN} = 15$ V with external pull-up of 560 k Ω , one buffer "On" at 30 mA). It is calculated with the following formula:

$$PD = (V_{CC} \times I_{CC}) + \frac{V_{Pin2} - V_{TUN}}{560 \text{ k}\Omega} \times V_{TUN} + (V_{sat} \times I_{Out})_{buffer}$$

$$\text{Example: } (5 \times 38) + \frac{32 - 15}{5.6 \times 10^5} \times 15 + (0.20 \times 30) = 197 \text{ mW}$$

MC44871

Figure 8. Typical Tuner Application



- NOTES:**
- 330 pF minimum is required for stability.
 - Approximate values of the external components for generation of the tuning voltage are:

C1 = 1.0 nF	Charge Pump filter capacitor
R1 = 750 k Ω (560 k Ω minimum)	Pull-up resistor
C4 = 330 pF	VTUN filter capacitor
C2 = 47 nF	Loop Filter
C3 = 22 nF	Loop Filter
R2 = 39 k Ω	Loop Filter

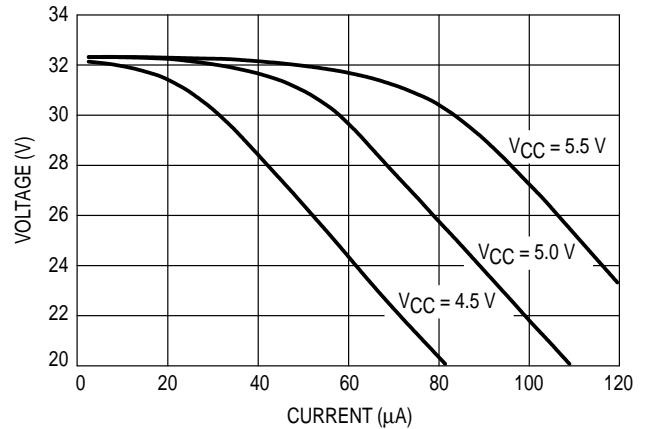
 These component values depend on the application.

DC-DC Converter Characteristics

The dc-to-dc converter block generates the 30 V supply voltage on the chip from V_{CC} . Pin 2 only needs an external capacitor (1.0 nF) instead of an external 30 V supply. The charge pump switching frequency is taken from the oscillator.

Typical charge pump output current capability at 25°C is shown in Figure 9.

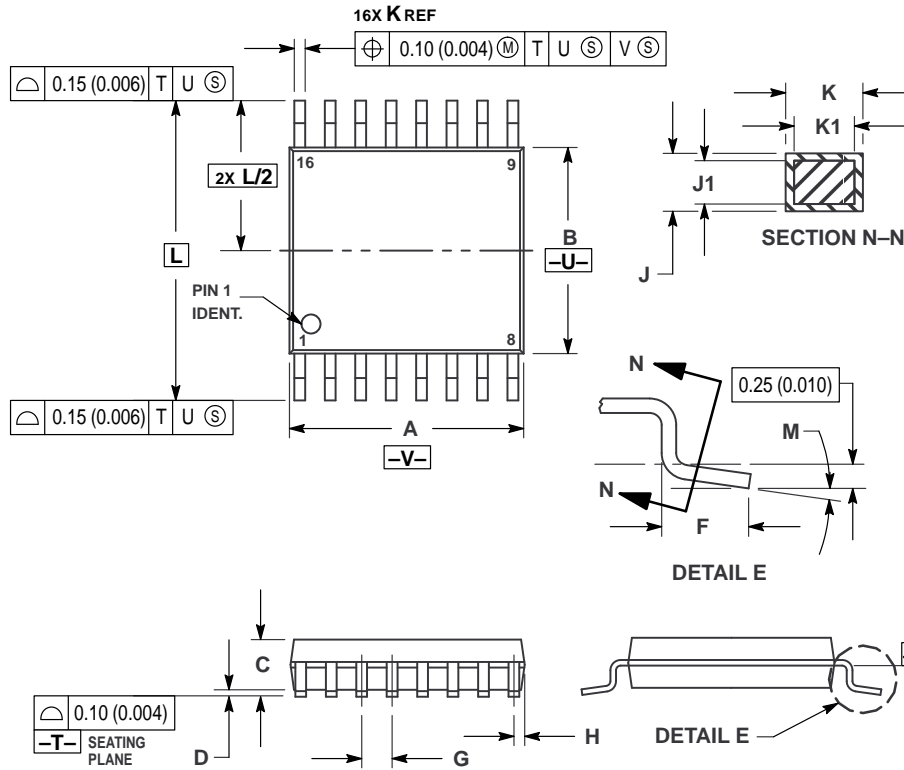
Figure 9. Typical Charge Pump Output Current



MC44871

OUTLINE DIMENSIONS


DTB SUFFIX
PLASTIC PACKAGE
CASE 948F-01
(TSSOP-16)
ISSUE O



NOTES:

- 1 DIMENSIONING AND TOLERANCING PER ANSI Y14.5M, 1982.
- 2 CONTROLLING DIMENSION: MILLIMETER.
- 3 DIMENSION A DOES NOT INCLUDE MOLD FLASH, PROTRUSIONS OR GATE BURRS. MOLD FLASH OR GATE BURRS SHALL NOT EXCEED 0.15 (0.006) PER SIDE.
- 4 DIMENSION B DOES NOT INCLUDE INTERLEAD FLASH OR PROTRUSION. INTERLEAD FLASH OR PROTRUSION SHALL NOT EXCEED 0.25 (0.010) PER SIDE.
- 5 DIMENSION K DOES NOT INCLUDE DAMBAR PROTRUSION. ALLOWABLE DAMBAR PROTRUSION SHALL BE 0.08 (0.003) TOTAL IN EXCESS OF THE K DIMENSION AT MAXIMUM MATERIAL CONDITION.
- 6 TERMINAL NUMBERS ARE SHOWN FOR REFERENCE ONLY.
- 7 DIMENSION A AND B ARE TO BE DETERMINED AT DATUM PLANE -W-.

DIM	MILLIMETERS		INCHES	
	MIN	MAX	MIN	MAX
A	4.90	5.10	0.193	0.200
B	4.30	4.50	0.169	0.177
C	—	1.20	—	0.047
D	0.05	0.15	0.002	0.006
F	0.50	0.75	0.020	0.030
G	0.65 BSC		0.026 BSC	
H	0.18	0.28	0.007	0.011
J	0.09	0.20	0.004	0.008
J1	0.09	0.16	0.004	0.006
K	0.19	0.30	0.007	0.012
K1	0.19	0.25	0.007	0.010
L	6.40 BSC		0.252 BSC	
M	0°	8°	0°	8°

Motorola reserves the right to make changes without further notice to any products herein. Motorola makes no warranty, representation or guarantee regarding the suitability of its products for any particular purpose, nor does Motorola assume any liability arising out of the application or use of any product or circuit, and specifically disclaims any and all liability, including without limitation consequential or incidental damages. "Typical" parameters which may be provided in Motorola data sheets and/or specifications can and do vary in different applications and actual performance may vary over time. All operating parameters, including "Typicals" must be validated for each customer application by customer's technical experts. Motorola does not convey any license under its patent rights nor the rights of others. Motorola products are not designed, intended, or authorized for use as components in systems intended for surgical implant into the body, or other applications intended to support or sustain life, or for any other application in which the failure of the Motorola product could create a situation where personal injury or death may occur. Should Buyer purchase or use Motorola products for any such unintended or unauthorized application, Buyer shall indemnify and hold Motorola and its officers, employees, subsidiaries, affiliates, and distributors harmless against all claims, costs, damages, and expenses, and reasonable attorney fees arising out of, directly or indirectly, any claim of personal injury or death associated with such unintended or unauthorized use, even if such claim alleges that Motorola was negligent regarding the design or manufacture of the part. Motorola and  are registered trademarks of Motorola, Inc. Motorola, Inc. is an Equal Opportunity/Affirmative Action Employer.

Mfax is a trademark of Motorola, Inc.

How to reach us:

USA/EUROPE/Locations Not Listed: Motorola Literature Distribution;
P.O. Box 5405, Denver, Colorado 80217. 1-303-675-2140 or 1-800-441-2447

JAPAN: Nippon Motorola Ltd.: SPD, Strategic Planning Office, 141,
4-32-1 Nishi-Gotanda, Shagawa-ku, Tokyo, Japan. 03-5487-8488

Customer Focus Center: 1-800-521-6274

Mfax™: RMFAX0@email.sps.mot.com – TOUCHTONE 1-602-244-6609
Motorola Fax Back System – US & Canada ONLY 1-800-774-1848
– http://sps.motorola.com/mfax/

ASIA/PACIFIC: Motorola Semiconductors H.K. Ltd.; 8B Tai Ping Industrial Park,
51 Ting Kok Road, Tai Po, N.T., Hong Kong. 852-26629298

HOME PAGE: <http://motorola.com/sps/>

