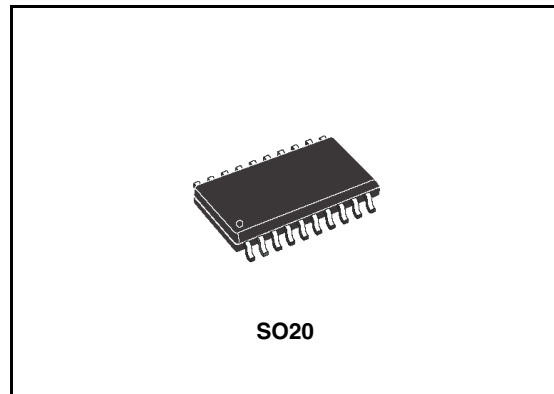


## 0.5A high-side driver industrial intelligent power switch

### Features

- 0.5A output current
- 8V to 35V supply voltage range
- Internal current limiting
- Thermal shutdown
- Open ground protection
- Internal negative voltage clamping for fast demagnetization
- Differential inputs with large common mode range and threshold hysteresis
- Undervoltage lockout with hysteresis
- Open load detection
- Two diagnostic outputs
- Output status LED driver
- Non dissipative short circuit protection
- Immunity against burst transient (IEC 61000-4-4)
- ESD protection (human body model  $\pm 2\text{kV}$ )



### Description

The L6375D is a monolithic Intelligent Power Switch in Multipower BCD Technology, for driving inductive or resistive loads with controlled output voltage slew rate and short circuit protection.

An internal Clamping Diode enables the fast demagnetization of inductive loads. Diagnostic for CPU feedback and extensive use of electrical protections make this device extremely rugged and specially suitable for industrial automation applications.

**Table 1. Device summary**

Order codes	Op. temp. range, °C	Package	Packaging
L6375D	-25 to +125	SO20	Tube
L6375DTR	-25 to +125	SO20	Tape & Reel

---

# Contents

<b>1</b>	<b>Block diagram and pin description</b> .....	<b>3</b>
1.1	Pin description .....	4
<b>2</b>	<b>Electrical specifications</b> .....	<b>5</b>
2.1	Absolute maximum ratings .....	5
2.2	Thermal data .....	5
2.3	Electrical characteristics .....	6
2.4	Switching waveform .....	8
2.5	Input section .....	8
2.6	Over temperature protection (OVT) .....	8
2.7	Under voltage protection (UV) .....	8
2.8	Over current operation .....	9
2.9	Diagnostic logic .....	10
2.10	Demagnetization of inductive loads .....	10
2.11	Diagnostic truth table .....	10
<b>3</b>	<b>Application circuits</b> .....	<b>11</b>
<b>4</b>	<b>Package mechanical data</b> .....	<b>13</b>
<b>5</b>	<b>Revision history</b> .....	<b>15</b>

# 1 Block diagram and pin description

Figure 1. Block diagram

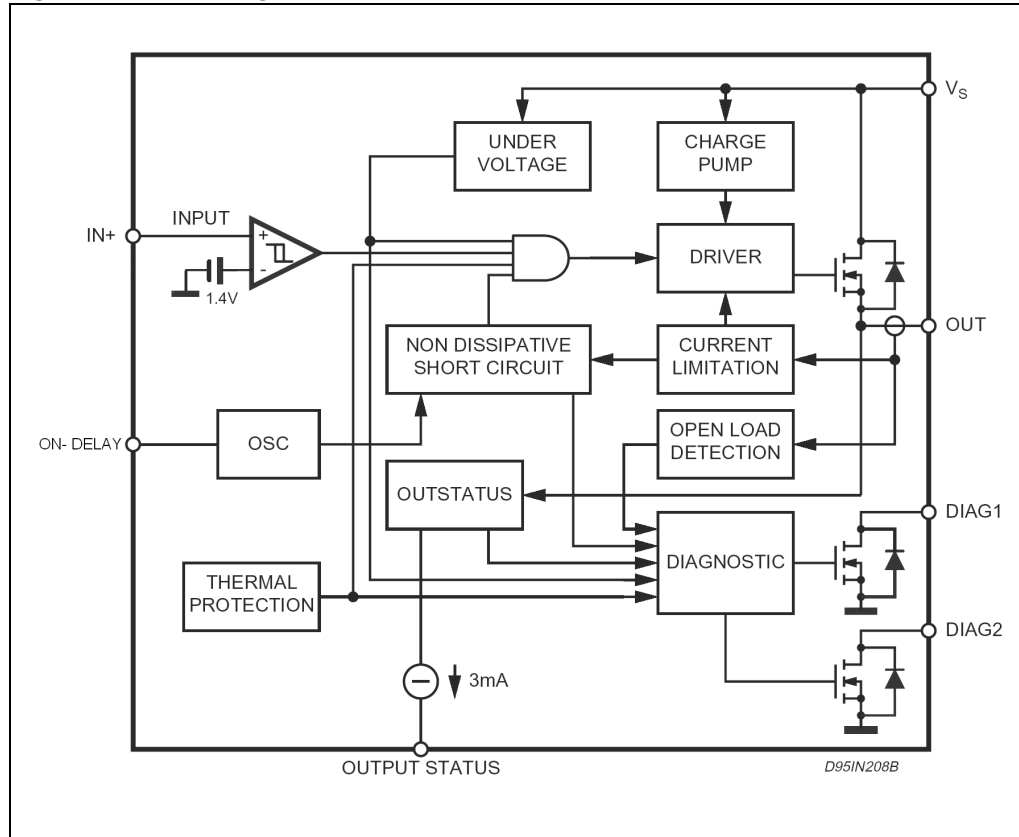
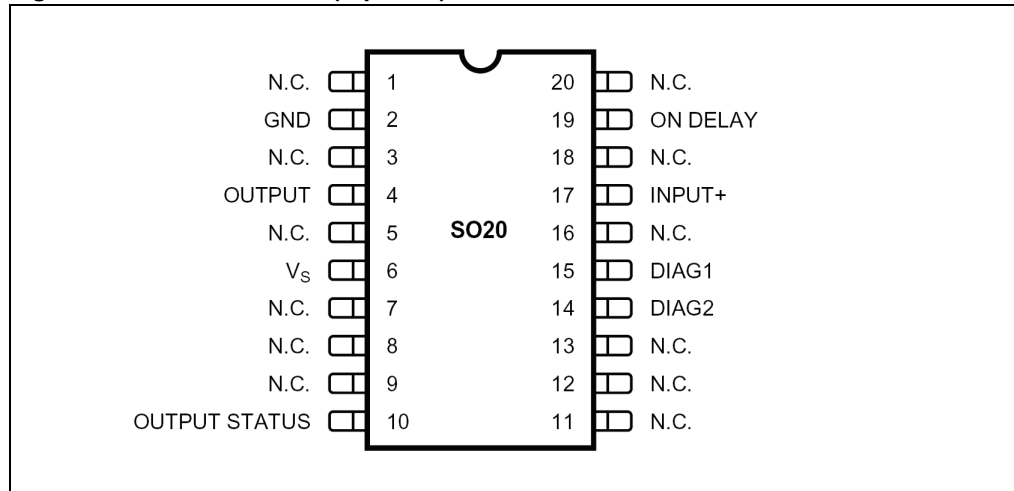


Figure 2. Pin connection (top view)



## 1.1 Pin description

Table 2. Pin description

Pin N°	Pin name	Function
2	GND	Ground
4	OUT	High Side output with built-in current limitation
6	V <sub>S</sub>	Supply Voltage Input, the value of the supply voltage is monitored to detect under voltage condition
10	Output status	This current source output is capable of driving a LED to signal the status of the output pin. The pin is active (source current) when the output pin is considered high (See Figure 4)
15	DIAG1	DIAGNOSTIC 1 output. This open drain reports the IC working conditions. (See Diagnostic truth Table 7)
14	DIAG2	DIAGNOSTIC 2 output. This open drain reports the IC working conditions. (See Diagnostic truth Table 7)
17	IN+	Comparator inverting input
19	ON-DELAY	Programmable ON time interval duration during short circuit operation
1, 3, 5, 7, 8, 9, 11, 12, 13, 16, 18, 20	N.C.	Not connected

## 2 Electrical specifications

### 2.1 Absolute maximum ratings

Table 3. Absolute maximum ratings

Symbol	Parameter	Value	Unit
V <sub>s</sub>	Supply voltage (tw < 10 ms)	50	V
V <sub>s</sub>	Supply voltage (DC)	40	V
V <sub>s</sub> - V <sub>out</sub>	Supply to output differential voltage	internally limited	V
V <sub>od</sub>	Externally forced voltage	-0.3 to 7	V
I <sub>od</sub>	Externally forced current	±1	mA
I <sub>out</sub>	Output current (see also I <sub>sc</sub> )	internally limited	A
V <sub>out</sub>	Output voltage	internally limited	V
P <sub>TOT</sub>	Power dissipation	internally limited	W
V <sub>diag</sub>	External voltage	-0.3 to 40	V
I <sub>diag</sub>	Externally forced current	-10 to 10	mA
I <sub>i</sub>	Input current	20	mA
V <sub>i</sub>	Input voltage	-10 to V <sub>s</sub> + 0.3	V
T <sub>op</sub>	Ambient temperature, operating range	-25 to 85	°C
T <sub>J</sub>	Junction temperature, operating range (see Overtemperature Protection)	-25 to 125	°C
T <sub>STG</sub>	Storage temperature	-55 to 150	°C
E <sub>I</sub>	Energy inductive load T <sub>J</sub> = 85°C	200	mJ

### 2.2 Thermal data

Table 4. Thermal data

Symbol	Parameter	Value	Unit
R <sub>thJA</sub>	Thermal resistance Junction-ambient Max <sup>(1)</sup>	65	°C/W
R <sub>thJP</sub>	Thermal resistance Junction-pins Max	15	°C/W

1. When mounted on a FR4 printed circuit board with 0.5 cm<sup>2</sup> of Cu (at least 35mm thick)

## 2.3 Electrical characteristics

**Table 5. Electrical characteristics**  
( $V_S = 24V$ ;  $T_J = -25$  to  $+125^\circ C$ , unless otherwise specified)

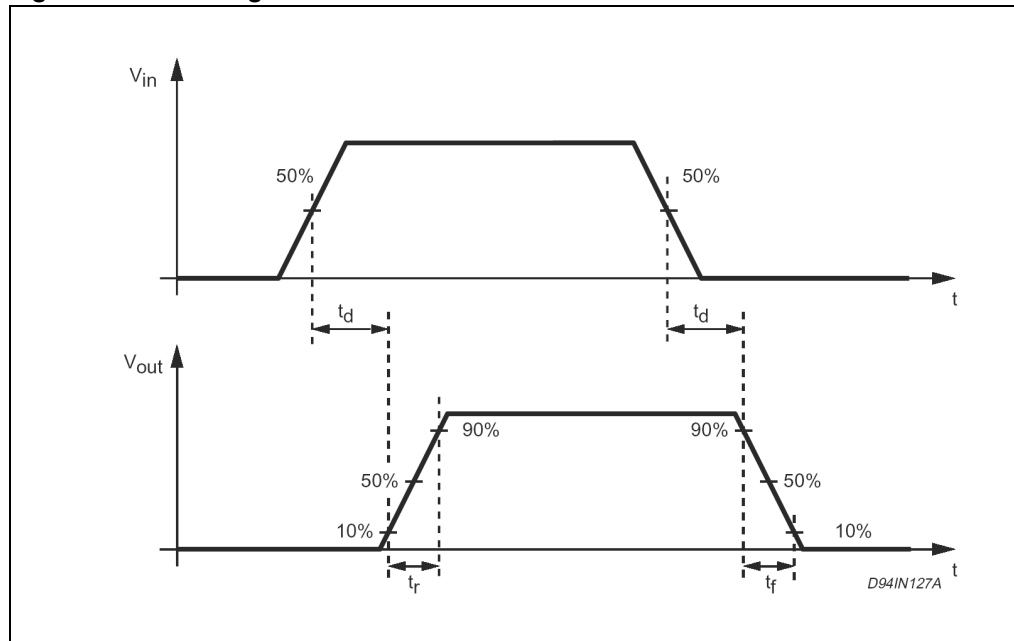
Symbol	Parameter	Test condition	Min	Typ	Max	Unit
$V_{smin}$	Supply voltage for valid diagnostic	$I_{diag} = > 0.5mA$ ; $V_{diag} = 1.5V$ ;	4		35	V
$V_S$	Operative supply voltage		8	24	35	V
$V_{sth1}$	Undervoltage threshold 1		7	7.5	8	V
$V_{sth2}$	Undervoltage threshold 2		6.5	7	7.5	V
$V_{shys}$	Under voltage hysteresis		300	500	700	mV
$I_q$	Quiescent current	Output open		800		$\mu A$
$I_{qo}$	Quiescent current	Output ON		1.6		mA
$V_{ith}$	Input threshold voltage		0.8	1.3	2	V
$V_{iths}$	Input threshold hysteresis		50		400	mV
$V_{il}$	Input low level voltage		-7		0.8	V
$V_{ih}$	Input high level voltage	$V_S < 18V$	2		$V_S - 3$	V
$V_{ih}$	Input high level voltage	$V_S > 18V$	2		15	V
$I_{ib}$	Input bias current	$V_i = -7$ to $15V$	-250		250	mA
$I_{dch}$	Delay capacitor charging current	ON DELAY pin shorted to Ground		2.5		mA
$V_{don}$	Output voltage drop	$I_{out} = 500mA$ $T_J = 25^\circ C$ $T_J = 125^\circ C$ $I_{out} = 625mA$ $T_J = 25^\circ C$ $T_J = 125^\circ C$		200 320 250 400	280 440 350 550	mV mV mV mV
$I_{olk}$	Output leakage current	$V_i = LOW$ ; $V_{out} = 0$			100	$\mu A$
$V_{ol}$	Output low state voltage	$V_i = HIGH$ ; pin floating		0.8	1.5	V
$V_{cl}$	Internal voltage clamp ( $V_S - V_{out}$ )	$I_o = 200mA$ single pulsed = 300ms	48	53	58	V
$I_{sc}$	Short circuit output current	$V_S = 8$ to $35V$ ; $R_l = 2\Omega$ ;	0.75	1.1	1.5	A
$I_{old}$	Open load detection current	$V_i = V_{ih}$ ; $T_A = 0$ to $+85^\circ C$	1	3	6	mA
$V_{oth1}$	Output status threshold 1 voltage		4.5	5	5.5	V
$V_{oth2}$	Output status threshold 2 voltage		4	4.5	5	V
$V_{ohys}$	Output status threshold hysteresis		300	500	700	mV
$I_{osd}$	Output status source current	$V_{out} > V_{oth1}$ ; $V_{os} = 2.5V$	2		4	mA

**Table 6. Electrical characteristics**  
( $V_S = 24V$ ;  $T_J = -25$  to  $+125^\circ C$ , unless otherwise specified)

Symbol	Parameter	Test condition	Min	Typ	Max	Unit
$V_{osd}$	Active output status driver drop voltage	$V_S - V_{OS}$ ; $I_{OS} = 2mA$ $T_A = 0$ to $+85^\circ C$		1.5	3	V
$I_{oslk}$	Output status driver leakage current	$V_{out} < V_{oth2}$ ; $V_{os} = 0V$ $V_S = 18$ to $35V$			25	mA
$V_{dgl}$	Diagnostic drop voltage	$D1 / D2 = L$ ; $I_{diag} = 0.5mA$ $D1 / D2 = L$ ; $I_{diag} = 3mA$		40 250		mV mV
$I_{dglk}$	Diagnostic leakage current	$D1 / D2 = H$ ; $0 < V_{dg} < V_S$ $V_S = 15.6$ to $35V$			5	$\mu A$
$T_{max}$	Over temperature upper threshold			150		$^\circ C$
$T_{hys}$	Over temperature hysteresis			20		$^\circ C$
<b>AC operation</b> (pin numbering referred to Minidip package)						
$t_r - t_f$	Rise or fall time	$V_S = 24V$ ; $R_1 = 70\Omega$ $R_1$ to ground		20		$\mu s$
$t_d$	Delay time	$V_S = 24V$ ; $R_1 = 70\Omega$ $R_1$ to ground		5		$\mu s$
dV/dt	Slew rate (rise and fall edge)		7	1	15	V/ $\mu s$
$t_{ON}$	On time during short circuit condition	$50pF < C_{DON} < 2nF$		1.28		$\mu s/pF$
$t_{OFF}$	Off time during short circuit condition			64		$t_{ON}$
$f_{max}$	Maximum operating frequency			25		KHz
<b>Source drain NDMOS diode</b>						
$V_f$	Forward on voltage	@ $I_{fsd} = 625mA$		1	1.5	V
$I_{fD}$	Forward peak voltage	$t = 10ms$ ; $d = 20\%$			2	A
$t_{rr}$	Reverse recovery time	$I_f = 625mA$ $di/dt = 25A/ms$		200		ns
$t_{fr}$	Forward recovery time			50		ns

## 2.4 Switching waveform

Figure 3. Switching waveform



## 2.5 Input section

An Single ended Input TTL/CMOS compatible with wide voltage range and high noise immunity (thanks to a built in hysteresis) is available.

## 2.6 Over temperature protection (OVT)

An on-chip Over Temperature Protection provides an excellent protection of the device in extreme conditions. Whenever the temperature - measured on a central portion of the chip exceeds  $T_{max} = 150^{\circ}\text{C}$  (typical value) the device is shut off, and the DIAG2 output goes LOW. Normal operation is resumed as the chip temperature (normally after few seconds) falls below  $T_{max} - T_{hys} = 130^{\circ}\text{C}$  (typical value). The hysteresis avoid that an intermittent behaviour take place.

## 2.7 Under voltage protection (UV)

The supply voltage is expected to range from 8 to 35V. In this range the device operates correctly. To avoid any misfunctioning the supply voltage is continuously monitored to provide an under voltage protection. As  $V_s$  falls below  $V_{sth} - V_{shys}$  (typically 7.5 V, see fig.1) the output power MOS is switched off and DIAG1 and DIAG2 (see Diagnostic truth table). Normal operation is resumed as soon as  $V_s$  exceeds  $V_{sth}$ . The hysteretic behaviour prevents intermittent operation at low supply voltage.



## 2.8 Over current operation

In order to implement a short circuit protection the output power MOS is driven in linear mode to limit the output current to the  $I_{sc}$  (1.1A typical value). This condition (current limited to the  $I_{sc}$  value) lasts for a  $T_{on}$  time interval, that can be set by means of a capacitor ( $C_{don}$ ) connected to the ON DELAY pin according to the following formula:

$$T_{on} = 1.28 \mu\text{sec}/\text{pF}$$

for

$$50\text{pF} < C_{don} < 2\text{nF}$$

After the  $T_{on}$  interval has expired the output power MOS is switched off for the  $T_{off}$  time interval with:

$$T_{off} = 64 \cdot T_{on}$$

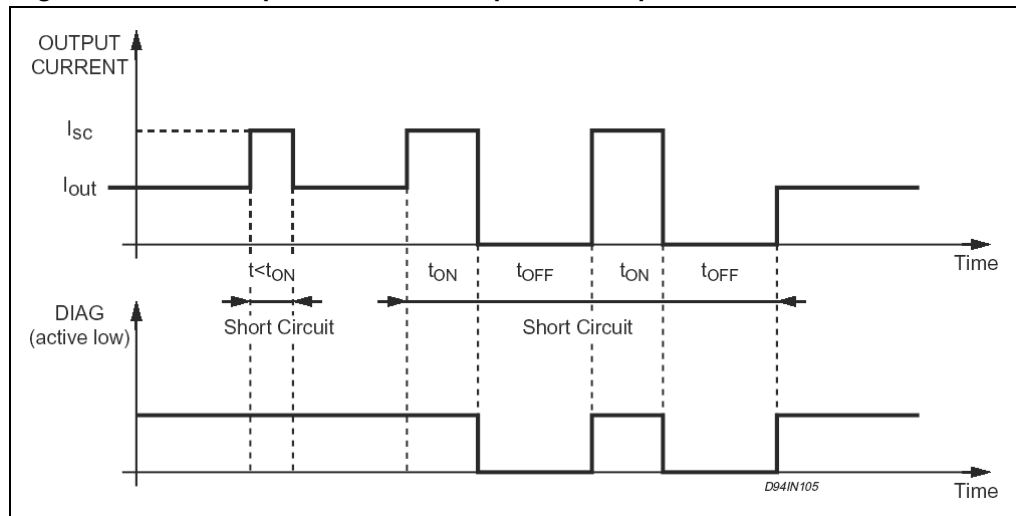
When also the  $T_{off}$  interval has expired, the out-put power MOS is switched ON. At this point in time two conditions may occur

- The overload is still present, and then the output power MOS is again driven in linear mode (limiting the output current to  $I_{sc}$ ) for another  $T_{on}$ , starting a new cycle, or
- the overload condition is removed, and the output power MOS is no longer driven in linear mode. All these occurrences are presented on the DIAG2 pin (see fig 2).

We call this unique feature Non Dissipative Short Circuit Protection and it ensures a very safe operation even in permanent overload conditions. Note that choosing the most appropriate value for the  $T_{on}$  interval (i.e. the value of the  $C_{don}$  capacitor) a delay (the  $T_{on}$  itself) will prevent that a misleading Short Circuit information is presented on the DIAG2 output, when driving capacitive loads (that acts like short circuit in the very beginning)

or Incandescent Lamp (a cold filament has a very low resistive value). The Non Dissipative Short Circuit Protection can be disabled (keeping  $T_{on} = 0$  but with the output current still limited to  $I_{sc}$ , and Diagnostic disabled) simply shorting to ground the the ON DELAY pin.

**Figure 4. Non dissipative short circuit protection operation**



## 2.9 Diagnostic logic

The operating conditions of the device are permanently monitored and the following occurrences are signalled via the DIAG1/DIAG2 open-drain output pins see diagnostic Truth Table.

- Short Circuit versus ground.
- Short Circuit versus VS.
- Under Voltage(UV)
- Over Temperature (OVT)
- Open Load, if the output current is less than 3mA (typical value).

## 2.10 Demagnetization of inductive loads

An internal zener diode, limiting the voltage across the Power MOS to between 50 and 60V (Vcl), provides safe and fast demagnetization of inductive loads without external clamping devices. The maximum energy that can be absorbed from an inductive load is specified as 200mJ (at  $T_J = 85^\circ\text{C}$ )

## 2.11 Diagnostic truth table

**Table 7. Diagnostic truth table**

Diagnostic conditions	Input	Output	Diag1	Diag2
Normal Operation	L	L	H	H
	H	H	H	H
Open Load Condition ( $I_o < I_{old}$ )	L	L	H	H
	H	H	L	H
Short to $V_S$	L	H	L	H
	H	H	L	H
Short Circuit to Ground ( $I_o = I_{SC}$ ) <sup>(1)</sup> (pin ON-DELAY grounded)	H	X	H	H
	L	L	H	H
Output DMOS Open	L	L	H	H
	H	L	L	H
Overtemperature	L	L	H	L
	H	L	H	L
Supply Undervoltage ( $V_S < V_{sth2}$ )	L	L	L	L
	H	L	L	L

1. A cold lamp filament, or a capacitive load may activate the current limiting circuit of the IPS, when the IPS is initially turned on.

### 3 Application circuits

Figure 5. Inductive load equivalent circuit

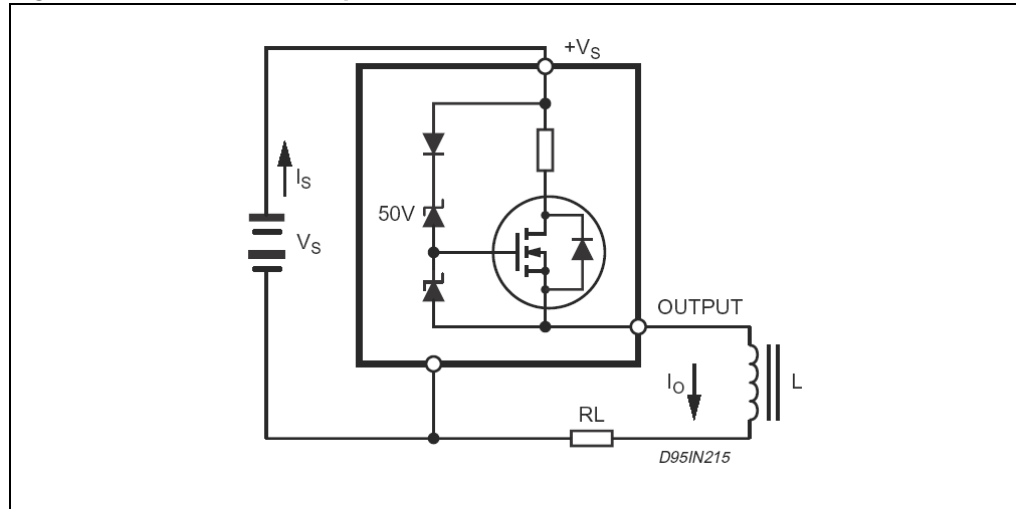


Figure 6. External demagnetisation circuit (versus ground)

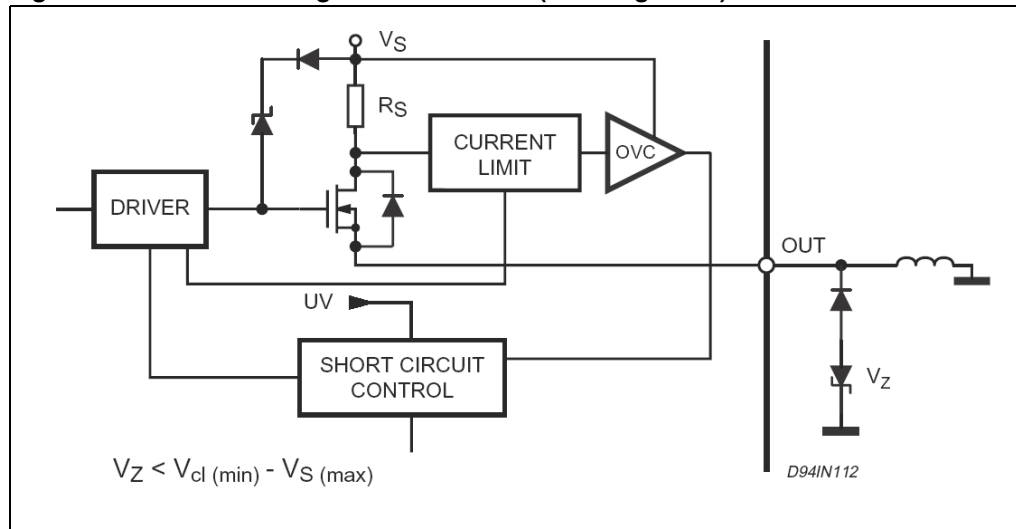


Figure 7. External demagnetisation circuit (versus vs)

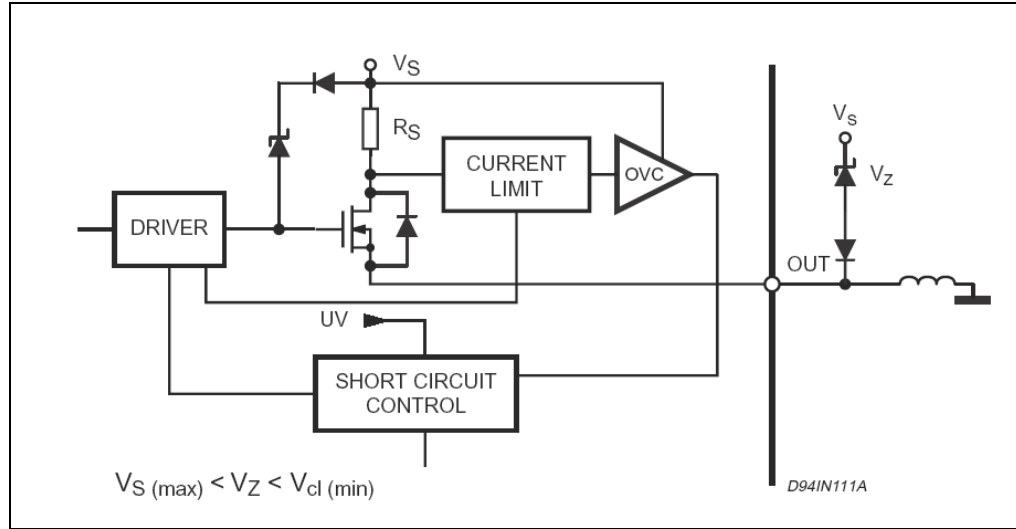
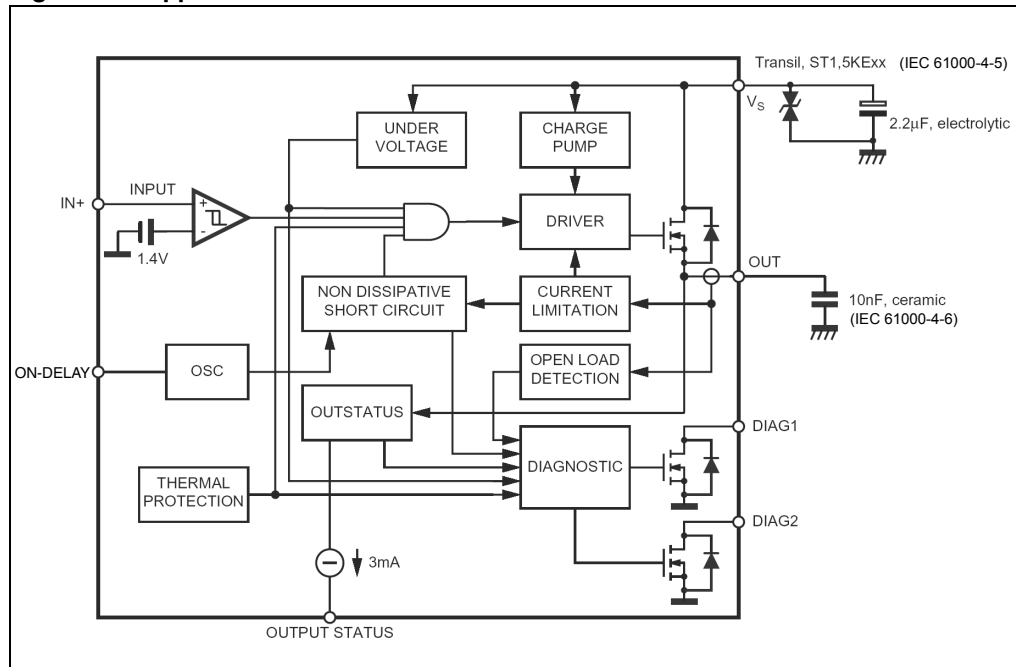


Figure 8. Application schematic



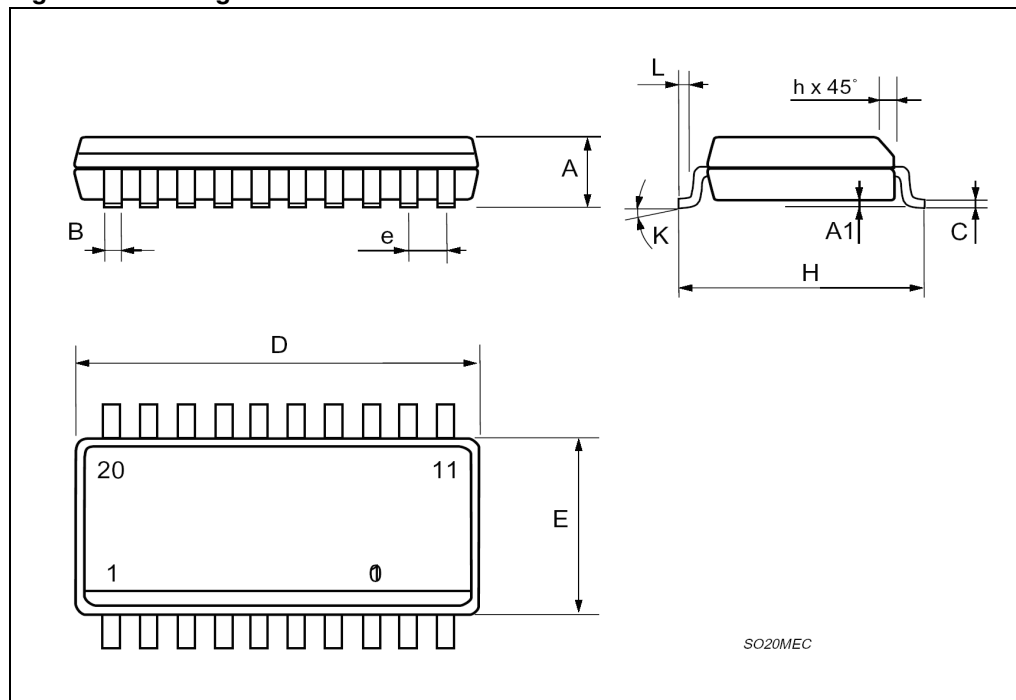
## 4 Package mechanical data

In order to meet environmental requirements, ST offers these devices in ECOPACK® packages. These packages have a Lead-free second level interconnect . The category of second level interconnect is marked on the package and on the inner box label, in compliance with JEDEC Standard JESD97. The maximum ratings related to soldering conditions are also marked on the inner box label. ECOPACK is an ST trademark. ECOPACK specifications are available at: [www.st.com](http://www.st.com)

**Table 8. SO20 mechanical data**

Dim.	mm			inch		
	Min	Typ	Max	Min	Typ	Max
A	2.35		2.65	0.093		0.104
A1	0.1		0.3	0.004		0.012
B	0.33		0.51	0.013		0.020
C	0.23		0.32	0.009		0.013
D	12.6		13	0.496		0.512
E	7.4		7.6	0.291		0.299
e		1.27			0.050	
H	10		10.65	0.394		0.419
h	0.25		0.75	0.010		0.030
L	0.4		1.27	0.016		0.050
K	0° (min.)8° (max.)					

**Figure 9. Package dimensions**



## 5 Revision history

Table 9. Revision history

Date	Revision	Changes
24-Jul-2007	1	Initial release

**Please Read Carefully:**

Information in this document is provided solely in connection with ST products. STMicroelectronics NV and its subsidiaries ("ST") reserve the right to make changes, corrections, modifications or improvements, to this document, and the products and services described herein at any time, without notice.

All ST products are sold pursuant to ST's terms and conditions of sale.

Purchasers are solely responsible for the choice, selection and use of the ST products and services described herein, and ST assumes no liability whatsoever relating to the choice, selection or use of the ST products and services described herein.

No license, express or implied, by estoppel or otherwise, to any intellectual property rights is granted under this document. If any part of this document refers to any third party products or services it shall not be deemed a license grant by ST for the use of such third party products or services, or any intellectual property contained therein or considered as a warranty covering the use in any manner whatsoever of such third party products or services or any intellectual property contained therein.

**UNLESS OTHERWISE SET FORTH IN ST'S TERMS AND CONDITIONS OF SALE ST DISCLAIMS ANY EXPRESS OR IMPLIED WARRANTY WITH RESPECT TO THE USE AND/OR SALE OF ST PRODUCTS INCLUDING WITHOUT LIMITATION IMPLIED WARRANTIES OF MERCHANTABILITY, FITNESS FOR A PARTICULAR PURPOSE (AND THEIR EQUIVALENTS UNDER THE LAWS OF ANY JURISDICTION), OR INFRINGEMENT OF ANY PATENT, COPYRIGHT OR OTHER INTELLECTUAL PROPERTY RIGHT.**

**UNLESS EXPRESSLY APPROVED IN WRITING BY AN AUTHORIZED ST REPRESENTATIVE, ST PRODUCTS ARE NOT RECOMMENDED, AUTHORIZED OR WARRANTED FOR USE IN MILITARY, AIR CRAFT, SPACE, LIFE SAVING, OR LIFE SUSTAINING APPLICATIONS, NOR IN PRODUCTS OR SYSTEMS WHERE FAILURE OR MALFUNCTION MAY RESULT IN PERSONAL INJURY, DEATH, OR SEVERE PROPERTY OR ENVIRONMENTAL DAMAGE. ST PRODUCTS WHICH ARE NOT SPECIFIED AS "AUTOMOTIVE GRADE" MAY ONLY BE USED IN AUTOMOTIVE APPLICATIONS AT USER'S OWN RISK.**

Resale of ST products with provisions different from the statements and/or technical features set forth in this document shall immediately void any warranty granted by ST for the ST product or service described herein and shall not create or extend in any manner whatsoever, any liability of ST.

ST and the ST logo are trademarks or registered trademarks of ST in various countries.

Information in this document supersedes and replaces all information previously supplied.

The ST logo is a registered trademark of STMicroelectronics. All other names are the property of their respective owners.

© 2007 STMicroelectronics - All rights reserved

STMicroelectronics group of companies

Australia - Belgium - Brazil - Canada - China - Czech Republic - Finland - France - Germany - Hong Kong - India - Israel - Italy - Japan - Malaysia - Malta - Morocco - Singapore - Spain - Sweden - Switzerland - United Kingdom - United States of America

[www.st.com](http://www.st.com)