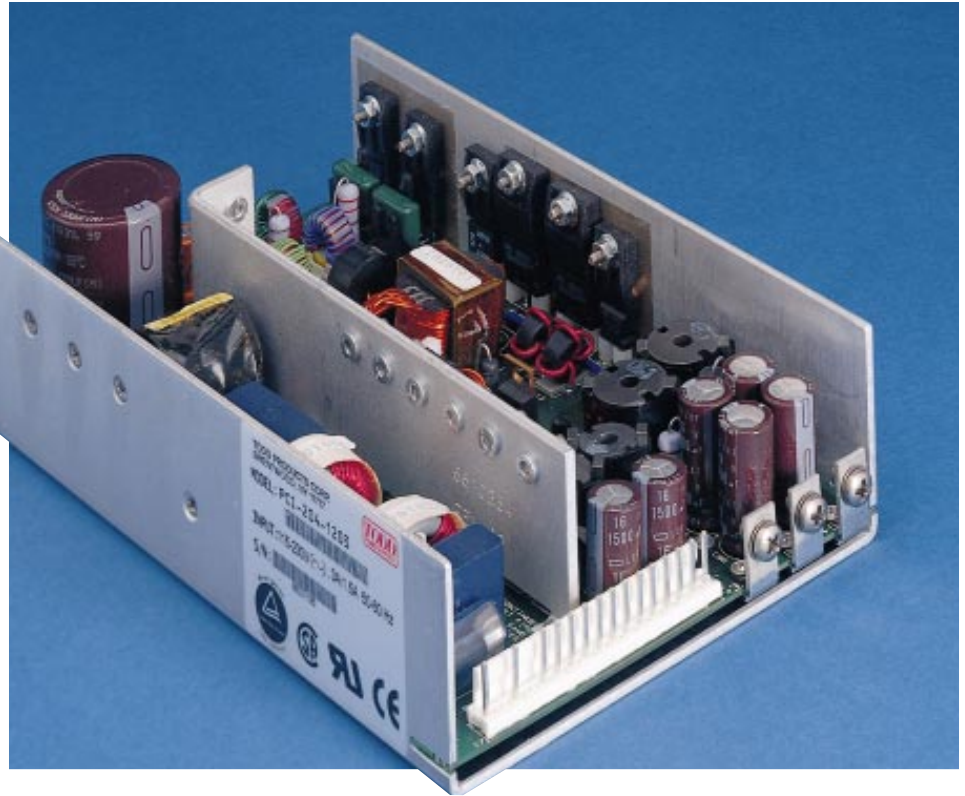


PCI-200



STANDARD PCI SERIES

MODEL	PWR	OUTPUT #1	OUTPUT #2	OUTPUT #3	OUTPUT #4
PCI 204-1203	200	+5V @ 30A*	+3.3V @ 20A*	+12V @ 5A**	-12V @ 5A**

Featuring:

- Dual main outputs
- Flexible ratings
- 5 V “Keep Alive” bias output
- Universal AC input
- 0.99 typical power factor
- Remote sense on main outputs
- DC power good and AC power fail
- True remote inhibit
- High-current bus bars

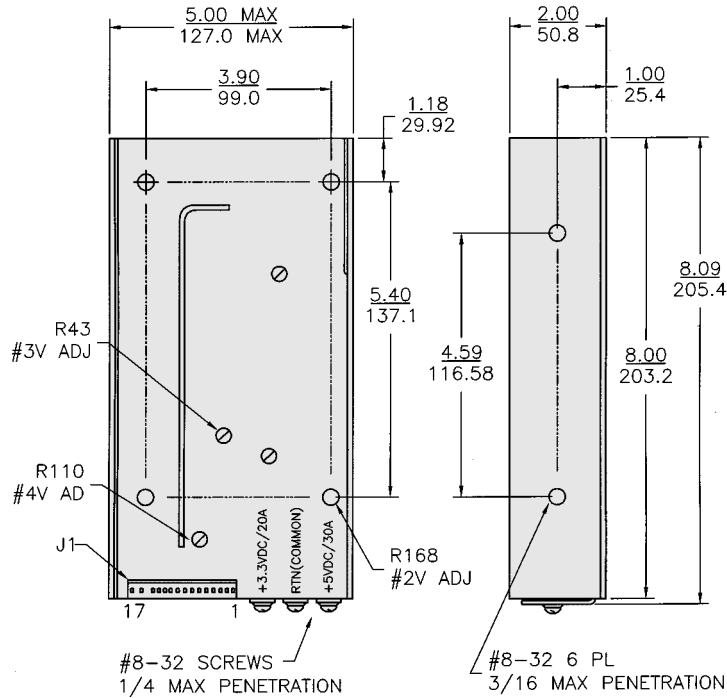
* Combined rating, sum of output currents of outputs #1 & #2 equals 30 A.
** Combined rating, sum of output currents of outputs #3 & #4 equals 5 A.

The PCI 204 power supply series provides simultaneous high currents on both 5 V and 3.3 V outputs. The load may be shifted between outputs. For example: the PCI 204-1203 may be loaded at +5 V @ 25 A and 3.3 V @ 5 A, or 5 V @ 10 A and 3.3 V @ 20 A, or any other combination of loads within the maximum ratings.

Similarly the ± 12 V may be loaded in any combination not exceeding maximum ratings.

The PCI series provides a single solution as system configurations proliferate, thereby reducing cycle time and cost.

PCI-200
2.0 lbs .9 kgs



Dimensions: $\frac{\text{Inches}}{\text{Millimeters}}$

SPECIFICATIONS:

INPUT

AC Input: 90 - 264 Vac continuous range, 47 to 63 Hz. Internally fused for 4 A.

Power Factor: 0.99 typical at full load. Meets EN61000-3-2.

Inrush: Cold start AC current limited to 16 A. at 115 Vac, 30 A. at 230 Vac. Limited by thermistor.

Brownout Protection: Holds regulation to 85 Vac.

Holdup Time: 16 ms minimum.

Efficiency: 70% typical at full load nominal line.

AC Power Fail: Provides TTL "0" 5 ms before output goes out of regulation band upon loss of input power.

OUTPUT

Adjustability: + / - 5%

Line & Load Reg: + / - 1% over AC input range and minimum to maximum load.

Minimum Load: 10% on main to insure regulation of aux outputs.

Ripple & Noise: Less than 1% p-p or 100 mV, whichever is greater.

Remote Sense: (Outputs #1, and #2) Compensates for 250 mv total line drop. Open sense lead protection.

Temperature Coefficient: 0.02% per degree C.

Transient Response: Output voltage returns to within 1% in less than 500 μ s for a 25% load change. Peak transient does not exceed 3%.

Overload Protection: All outputs are protected against overload and short circuit.

Automatic recovery upon removal of fault.

Overvoltage Protection: Output #1 protected against power supply induced overvoltage condition. Factory set to 136% maximum. Other outputs inherently voltage limited by design.

Remote Inhibit: Contact closure to negative sense line or a TTL "0" (open collector) turns off DC outputs.

Reverse Voltage: Protected against reversed voltage up to supply current ratings.

DC Power Good: Provides TTL "0" (open collector) when output #1 above 4.6V.

Aux Output: Provides 5 V + / - 5% @ 100 ma bias output, which is present whenever power supply has input power.

ENVIRONMENTAL

Thermal Protection: Shuts down power supply if heatsink temperature exceeds 82° C.

Temperature Range: 0° C to 50° C at full ratings.

Safety Agencies: Approved to UL 1950; CSA 22.2 # 234 (950); TUV EN60950,

Class 1 SELV; CE 72/23/EEC/93/68EEC (low voltage directive).

Output Isolation: Isolated from ground 50Vdc.

Conducted RFI: Meets FCC part 15, Subpart J class A, and CISPR 22 class A.

Cooling: 30 CFM required to achieve full ratings.

OPTIONS:

Consult factory for available options.

AC INPUT (90 - 264 VAC Continuous Range)

FUNCTION	115 VAC	230 VAC	CONNECTOR
J1-17	Neutral	Line 2	AMP p/n 1-60445-7 mates with:
J1-15	Line	Line 1	AMP p/n 1-640426-7

DC OUTPUT

FUNCTION	LOCATION	NOTES	CONNECTOR
Output #1	Terminal marked +5	Main Output	Bus bar #8-32 screw
	Terminal marked RTN	RTN (com)	Bus bar #8-32 screw
Output #2	Terminal marked +3.3	+3.3 Output	Bus bar #8-32 screw
Output #3	J1-5	+ Output	AMP p/n 1-6044-7
	J1-6	+/- RTN (com)	mates with:
Output #4	J1-7	- Output	

STATUS AND CONTROL

FUNCTION	LOCATION	NOTES	CONNECTOR
Remote Sense	J1-1	+5 sense	See above
	J1-2	+3.3 sense	
	J1-3	+3.3 sense rtn	
	J1-4	+5 sense rtn	
DC Power Good	J1-8	Reference to com	
AC Power Fail	J1-9	Reference to com	
Inhibit	J1-10	Reference to com	
Aux output (+)	J1-11	5V aux bias	
Aux output (-)	J1-12	5V aux bias rtn	