

## Connectivity

- PCI r3.0 capable
- CompactPCI Hot Swappable
- Asynchronous Bridging to 66MHz
- 5V signal input tolerance and 5V signal to 3.3V signal conversions
- 27mm x 27mm PBGA
- 10KB FIFO size
- Transparent and Non-Transparent Bridge Function
- Support for 8 Bus Masters
- Usable in CPCI System Slot or Peripheral Slot

## Performance

- Dynamic-Buffer-Management
- Smart-Prefetch allows the PCI 6466 to provide data prefetch, store and forward service to secondary bus PCI bus based processors
- Flow-Thru architecture
- Large 10K Byte buffer
- 8 pairs of REQ/GNT signals support up to 8 bus masters directly on secondary bus
- EEPROM support for extra register control
- Vital Product Data (VPD)
- 16 general purpose IO interface
- PME D3 wakeup power



PLX Technology, Inc.  
870 Maude Ave.  
Sunnyvale, CA 94085 USA  
Tel: 1-800-759-3735  
Tel: 1-408-774-9060  
Fax: 1-408-774-2169  
Email: [info@plxtech.com](mailto:info@plxtech.com)  
Web Site: [www.plxtech.com](http://www.plxtech.com)

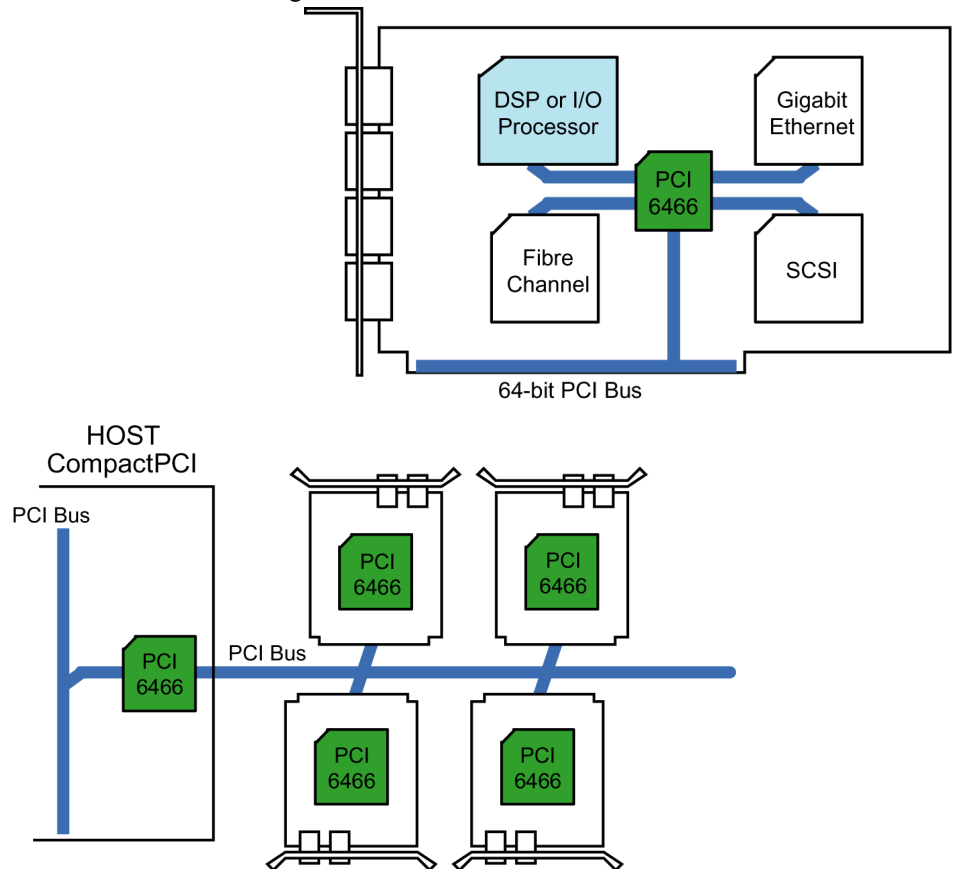
# PCI 6466

*Dual-Mode (Transparent & Non-Transparent) Universal FastLane™ 64-bit, 66MHz PCI-to-PCI Bridge*

## Adaptive High Performance Asynchronous 66MHz, 64-bit, PCI-to-PCI Bridge for Servers, Storage, DSP, Telecommunication, Networking and Embedded Applications

PLX's FastLane™ PCI 6466 is a 64-Bit PCI-to-PCI bridge designed for high performance, high availability applications, frequency conversions from a faster PCI to a slower PCI bus, address remapping, high availability hot swap, and universal system-to-system bridging.

The FastLane™ PCI 6466 includes sophisticated buffer management and buffer configuration options designed to provide customizable performance for efficient processor bridging. The PCI 6466 allows up to 2KB prefetch during each PCI read and timed FIFO flush management.



## Product Ordering Information

Part Number	Description
PCI 6466-CB66BI	PCI 6466 64-bit PCI-to-PCI Bridge Chip (BGA)
PCI 6466-CB66BI G	PCI 6466 64-bit PCI-to-PCI Bridge Chip Lead Free ROHS Compliant (BGA)

Please visit the PLX Web site at <http://www.plxtech.com> or contact PLX sales at 408-774-9060 for more information.