

PCI 6520

Transparent FastLane™ PCI-X-to-PCI-X Bridge

Connectivity

- 64-bit, 33MHz-133MHz Asynchronous operation
- 5V signal input tolerance and 5V signal to 3.3V signal conversions
- 27mm x 27mm PBGA
- 10KB FIFO size
- PCI-X or PCI Bus Types
- Transparent Bridge Function
- 8 supported Bus Masters

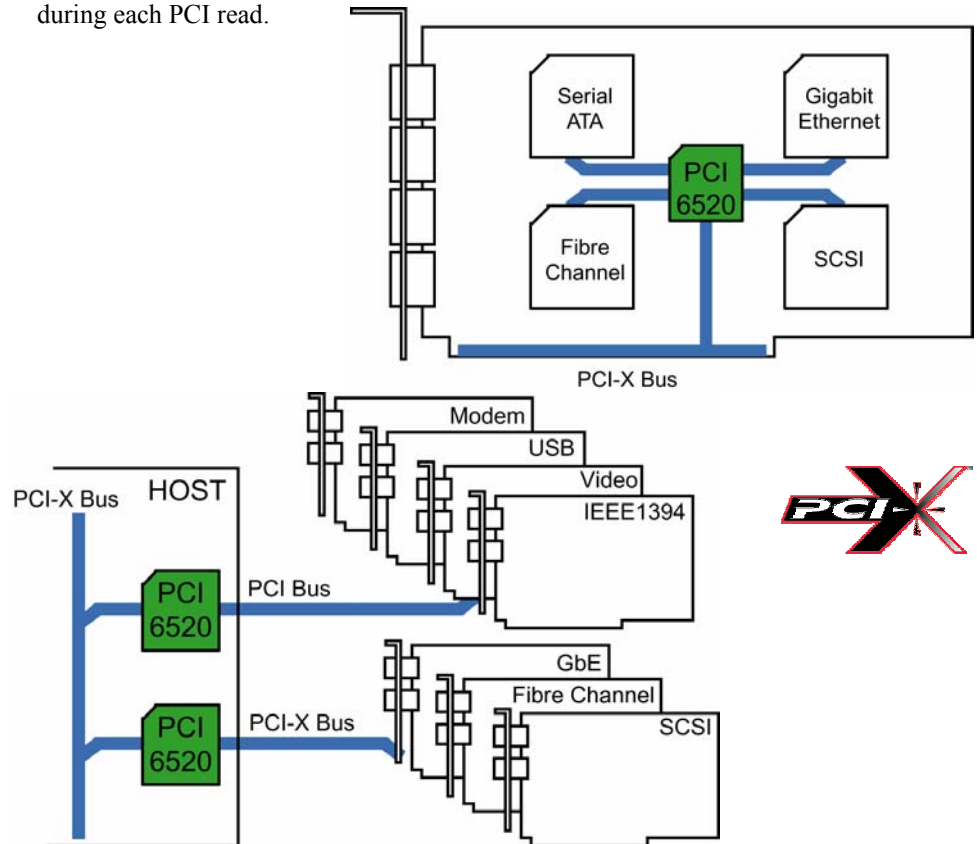
Performance

- Dynamic-Buffer-Management™** for enhanced PCI-X-to-PCI-X bridging
- Flow-Thru™** architecture for PCI-X-to-PCI bridging conversion
- Independent reference clock input for PCI-X clock speed measurement
- Large 10K Byte buffer for efficient PCI-X-to-PCI-X and PCI-X-to-PCI bridging and speed conversion
- 8 pairs of REQ/GNT signals support up to 8 bus masters directly on secondary bus
- EEPROM support for extra register control, Vital Product Data (VPD), 8 general purpose IO interface, and proven PME D3 wakeup power management.

Asynchronous, 133MHz, 64-Bit PCI-X to PCI-X Bridge for Servers, Storage, Telecommunication, Networking and Embedded Applications and High Performance 10KB Buffer PCI-X-to-PCI Bridging

PLX's FastLane™ PCI 6520 is a 64-Bit PCI-X-to-PCI-X bridge designed for high performance, high availability applications in PCI-X-to-PCI conversion, bus expansions and frequency conversions bridging. The PCI 6520 has sophisticated buffer management and buffer configuration options designed to provide customizable performance optimization.

The FastLane PCI 6520 has sophisticated buffer architecture designed to provide very efficient PCI-X-to-PCI conversion bridging. The PCI 6520 allows up to 2KB prefetch during each PCI read.



PLX Technology, Inc.
870 Maude Ave.
Sunnyvale, CA 94085 USA
Tel: 1-800-759-3735
Tel: 1-408-774-9060
Fax: 1-408-774-2169

Email: info@plxtech.com
Web Site: www.plxtech.com

Product Ordering Information

Part Number	Description
PCI 6520-xx13BC	PCI 6520 PCI-X-to-PCI-X Bridge Chip (PBGA)

Please visit the PLX Web site at <http://www.plxtech.com> or contact PLX sales at 408-774-9060 for more information.

© 2004 PLX Technology, Inc. All rights reserved. PLX and the PLX logo are registered trademarks of PLX Technology, Inc. FastLane is a trademark of PLX Technology, Inc., which may be registered in some jurisdiction. All other product names that appear in this material are for identification purposes only and are acknowledged to be trademarks or registered trademarks of their respective companies. Information supplied by PLX is believed to be accurate and reliable, but PLX Technology, Inc. assumes no responsibility for any errors that may appear in this material. PLX Technology, Inc. reserves the right, without notice, to make changes in product design or specification.