

RSDS Transmitter/Receiver

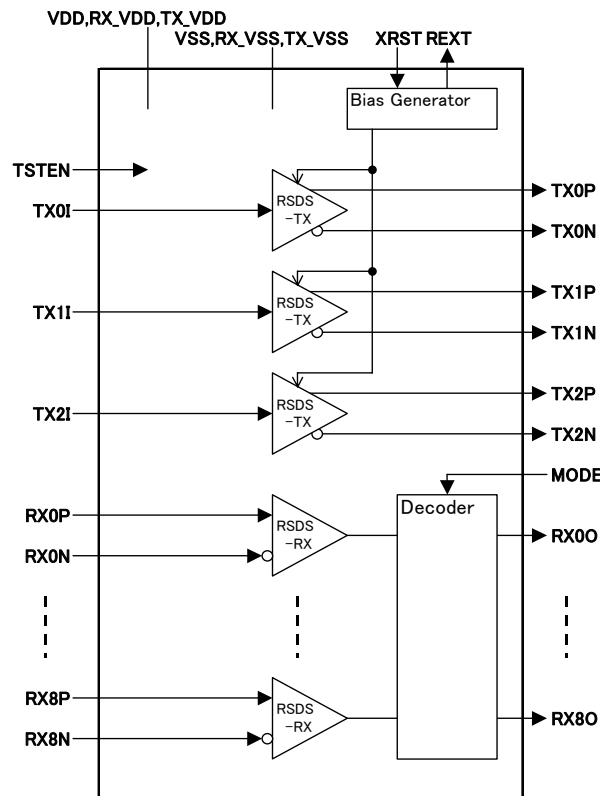
OVERVIEW

S1R77081F converts the image data that is output with low amplitude differential signal from an analog front end IC equipped with CCD drive clock generation function (ex.S1R77021) to LVTTTL level. By combining an analog front end IC and S1R77081F, a scanner system that offers the high quality image and reduction of radiation noise can be achieved easily.

FEATURES

- RSDS output 3ch
- RSDS input 9ch
- Adjustable output current by external resistance
- Differential input/output specification
 - Transfer rate: Max100Mbps/channel
 - Differential voltage output: 140mV (Min.), 200mV (Typ.), 280mV (Max.)
 - Output common mode voltage: 1.1V(Min.), 1.3V (Typ.), 1.5V (Max.)
 - Output current: 1.4mA(Min.), 2.0mA(Typ.), 2.8mA(Max.) (In the case that outside resistance is 13kΩ)
- LVTTTL input/output level
- Package QFP48pin (0.5mm pitch)
- 3.3V single power supply

BLOCK DIAGRAM



APPLICATIONS

Scanner, MFP, Copy-machine, FAX etc.

S1R77081F

NOTICE:

No part of this material may be reproduced or duplicated in any form or by any means without the written permission of Seiko Epson. Seiko Epson reserves the right to make changes to this material without notice. Seiko Epson does not assume any liability of any kind arising out of any inaccuracies contained in this material or due to its application or use in any product or circuit and, further, there is no representation that this material is applicable to products requiring high level reliability, such as, medical products. Moreover, no license to any intellectual property rights is granted by implication or otherwise, and there is no representation or warranty that anything made in accordance with this material will be free from any patent or copyright infringement of a third party. This material or portions thereof may contain technology or the subject relating to strategic products under the control of the Foreign Exchange and Foreign Trade Law of Japan and may require an export license from the Ministry of International Trade and Industry or other approval from another government agency. ©Seiko Epson Corporation 2005, All rights reserved.

SEIKO EPSON CORPORATION

SEMICONDUCTOR OPERATIONS DIVISION

IC Sales Department

IC Marketing Group

421-8 Hino, Hino-shi, Tokyo 191-8501, JAPAN

Phone: 042-587-5814 FAX: 042-587-5117

■ EPSON Electronic devices Website

<http://www.epsondevice.com/>

Document code: 410322901
First issue June, 2005
Printed December, 2005 in Japan