

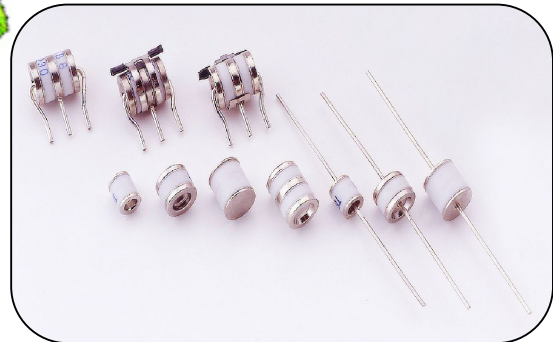
Gas Discharge Tube: GD8-H Series



Two Electrode $\Phi 8.0 \times T6$ mm High Surge

■ Features

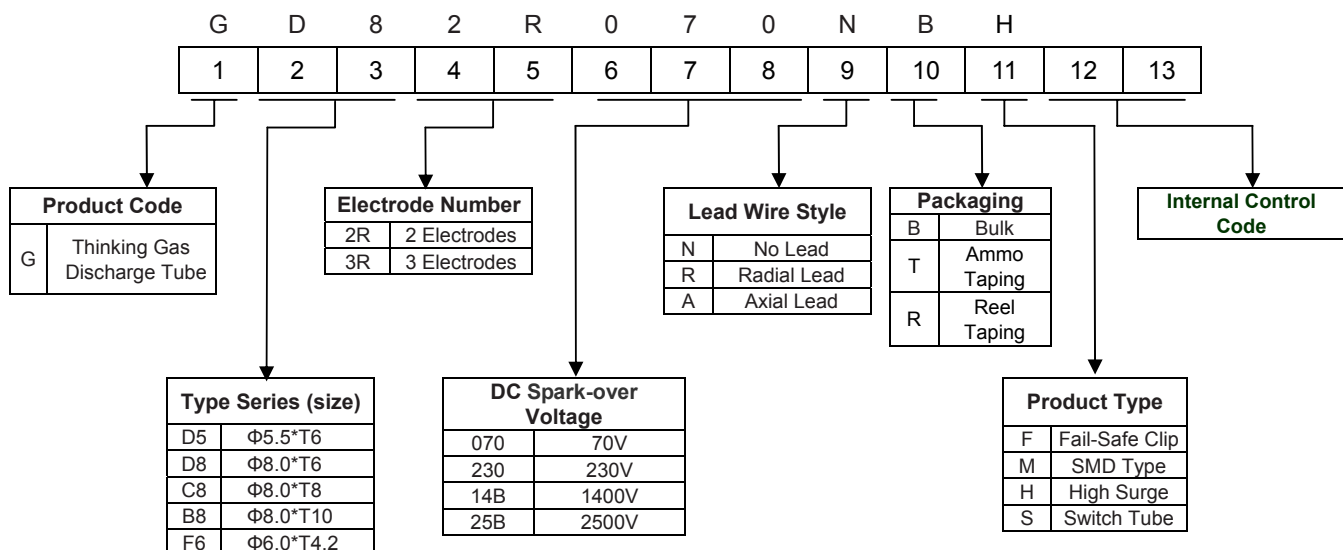
1. RoHS compliant
2. Rugged Ceramic-Metal Construction
3. Available With or Without Leads
4. Available With Various Leads
5. DC Spark-over voltage : 70~470V
6. Low Capacitance (<2PF)
7. High Transient Current Capability
8. Agency Recognition :UL



■ Recommended Applications

1. Data Transmission Lines
2. Communication Lines
3. CATV System
4. Power Distribution System
5. Power Supplier
6. Test Equipment
7. Instrumentation Circuits

■ Part No. Code



Gas Discharge Tube: GD8-H Series



Two Electrode $\Phi 8.0 \times T6$ mm High Surge

Characteristics

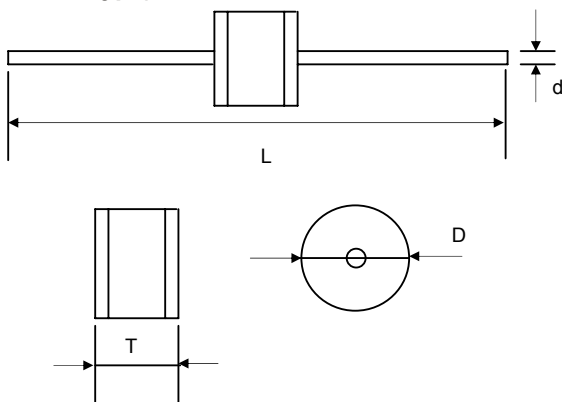
Type	Max. DC Spark-over Voltage	Max. Impulse Breakdown Voltage		Impulse Discharge Current (8/20 μ s)		Impulse Discharge Life (10/1000 μ s)	Nom. AC Discharge Current	DC Holdover voltage	Minimum Insulation Resistance	Maximum Capacitance (1MHz)	Safety approvals
	(100V/S)	100V/ μ s	1KV/ μ s	1 time	10 times	100A	50Hz, 1S	<150mS			
	(V)	(V)	(V)	(KA)		Times	(A)	(V)	(G Ω)	(pF)	UL 497B
GD82R070□□H	70 \pm 20%	500	600	20	15	500	20	52	10	1.5	✓
GD82R075□□H	75 \pm 20%	500	600					52			✓
GD82R090□□H	90 \pm 20%	500	600					52			✓
GD82R120□□H	120 \pm 15%	500	700					52			✓
GD82R130□□H	130 \pm 15%	500	700					52			✓
GD82R145□□H	145 \pm 15%	500	700					52			✓
GD82R180□□H	180 \pm 15%	500	700					80			✓
GD82R230□□H	230 \pm 15%	500	700					80			✓
GD82R250□□H	250 \pm 15%	500	700					80			✓
GD82R300□□H	300 \pm 15%	700	900					150			✓
GD82R350□□H	350 \pm 15%	700	900					150			✓
GD82R400□□H	400 \pm 15%	800	1000					150			✓
GD82R470□□H	470 \pm 15%	900	1000					150			✓

Note1: The first □ is the style of lead wire, the second □ is packaging.

Note2: H = High Surge Series

Note3: UL / 497B → File No. E245070

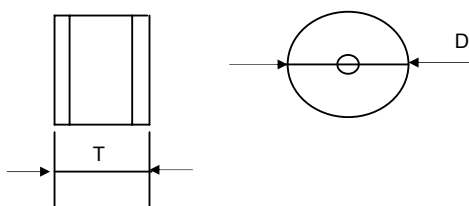
□ = A (Axial lead type)



Unit: mm

Item	Dimensions	
	Spec.	Tolerance
D	8.0	± 0.3
T	6.0	± 0.3
L	60.0	± 4.0
d	1.0	± 0.05

□ = N (No lead type)



Unit: mm

Item	Dimensions	
	Spec.	Tolerance
D	8.0	± 0.3
T	6.0	± 0.3

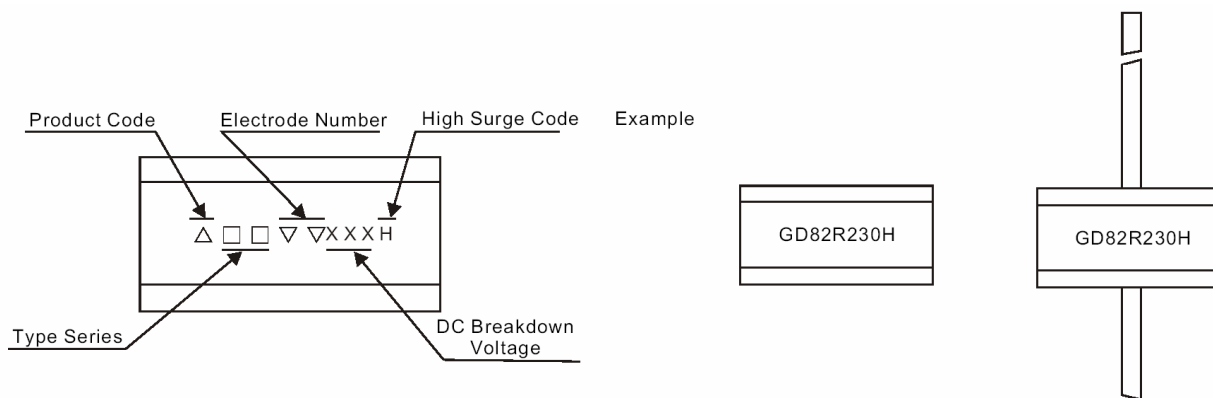
Gas Discharge Tube: GD8-H Series

Two Electrode $\Phi 8.0 \times T6$ mm High Surge



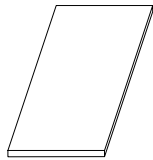
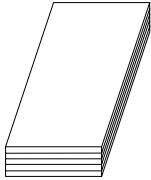
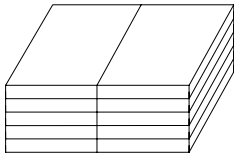
■ Marking

For 2-electrode GDT for High Surge Series



■ Packaging

● Bulk

PS Box (263×144×6mm)	Inner Box (270×145×50mm)	Outside Box (315×300×270mm)
		
100 PCS/Box	500 PCS/box	5000 PCS/carton

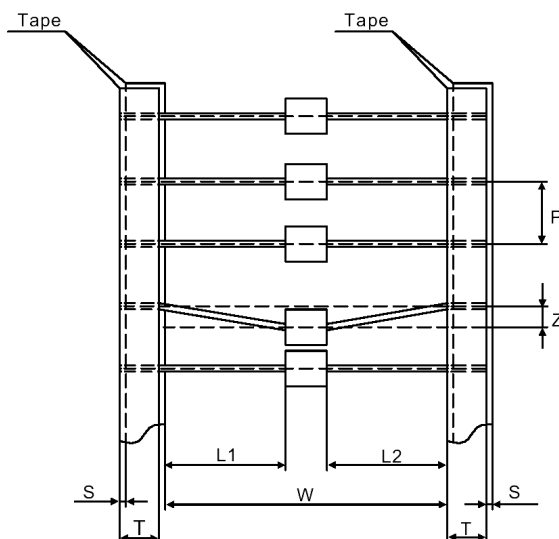
Gas Discharge Tube: GD8-H Series

Two Electrode $\Phi 8.0 \times T6$ mm High Surge



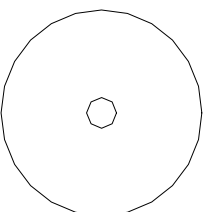
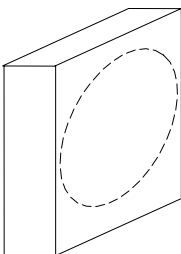
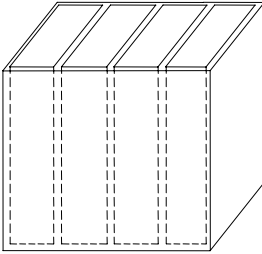
● Taping

For 2-electrode Axial Lead GDT



Unit:mm

ITEM	W	P	L1-L2	T	Z	S
MAX	54	11	1.4	7	1.2	0.8
MIN	51	9	—	5	—	—

Reel ($\Phi 340$ mm)	Inner Box (340×240×85mm)	Outer Carton (380×380×388mm)
		
500PCS/Reel	500PCS/box	2000PCS/carton

■ Storage Condition of GDT

(I) Storage condition:

1. Storage Temperature : $-10^{\circ}\text{C} \sim +40^{\circ}\text{C}$.
2. Relative humidity: $\leq 75\% \text{RH}$.
3. Gas Discharge Tube must be kept away from sunlight and stored in a non-corrosive atmosphere.

(II) Period of storage: 1 year.