

Gas Discharge Tube: GD8 Series



Two Electrode $\Phi 8.0 \times T6$ mm

■ Features

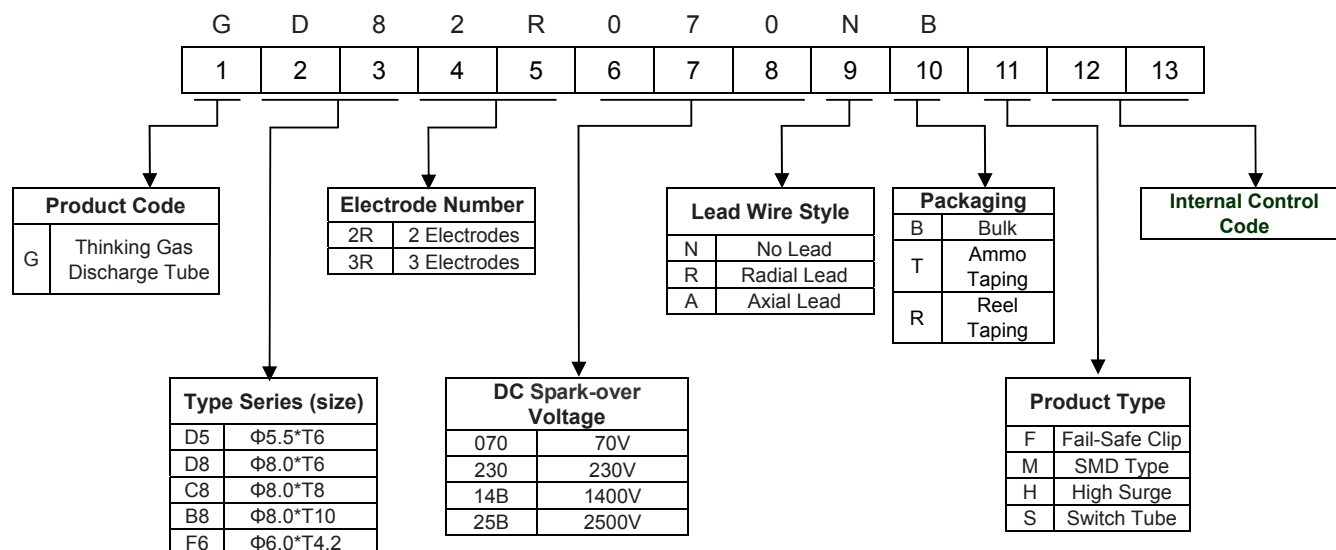
1. RoHS compliant
2. Rugged Ceramic-Metal Construction
3. Available With or Without Leads
4. DC Spark-over voltage : 70~800V
5. Voltage Available With Various Leads
6. Low Capacitance
7. Agency Recognition :UL



■ Recommended Applications

1. Data Transmission Lines
2. Communication Lines
3. CATV System
4. Power Distribution System
5. Power Supplier
6. Test Equipment
7. Instrumentation Circuits

■ Part No. Code



Gas Discharge Tube: GD8 Series

Two Electrode $\Phi 8.0 \times T6$ mm



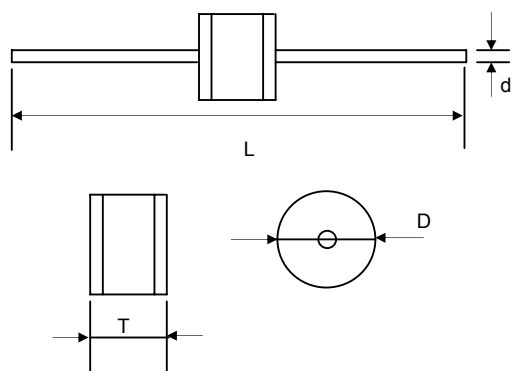
Characteristics

Type	Max. DC Spark-over Voltage	Max. Impulse Breakdown Voltage		Impulse Discharge Current (8/20 μ s)		Impulse Discharge Life (10/1000 μ s)	Nom. AC Discharge Current	DC Holdover voltage	Minimum Insulation Resistance	Maximum Capacitance (1MHz)	Safety approvals	
	(100V/S)	100V/ μ s	1KV/ μ s	1 time	10 times	100A	50Hz, 1S	<150mS			UL 1449	UL 497B
	(V)	(V)	(V)	(KA)		Times	(A)	(V)				
GD82R070□	70 \pm 20%	500	600	15	10	500	10	52	10	1.5		√
GD82R075□	75 \pm 20%	500	600					52			√	
GD82R090□	90 \pm 20%	500	600					52			√	
GD82R120□	120 \pm 15%	500	700					52			√	
GD82R130□	130 \pm 15%	500	700					52			√	
GD82R145□	145 \pm 15%	500	700					52			√	
GD82R180□	180 \pm 15%	500	700					80			√	
GD82R230□	230 \pm 15%	500	700					80			√	
GD82R250□	250 \pm 15%	500	700					80			√	
GD82R300□	300 \pm 15%	700	900					150			√	
GD82R350□	350 \pm 15%	700	900					150			√	
GD82R400□	400 \pm 15%	800	1000					150			√	
GD82R470□	470 \pm 15%	900	1000					150			√	
GD82R600□	600 \pm 20%	1100	1400	10	5	300	150		√	√		
GD82R800□	800 \pm 20%	1300	1700				150		√	√		

Note1: □ = The style of lead wire

Note2: UL / 497B → File No. E245070 UL / 1449 → File No. E173642

□ = A (Axial lead type)

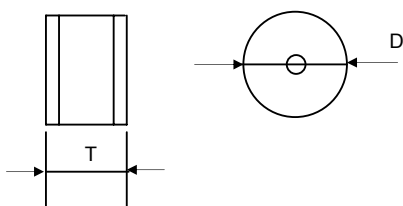


Unit: mm

Item	Dimensions	
	Spec.	Tolerance
D	8.0	± 0.3
T	6.0	± 0.3
L	60.0	± 4.0
d*	0.8	± 0.05

*: d = 1.0mm is available.

□ = N (No lead type)



Unit: mm

Item	Dimensions	
	Spec.	Tolerance
D	8.0	± 0.3
T	6.0	± 0.3

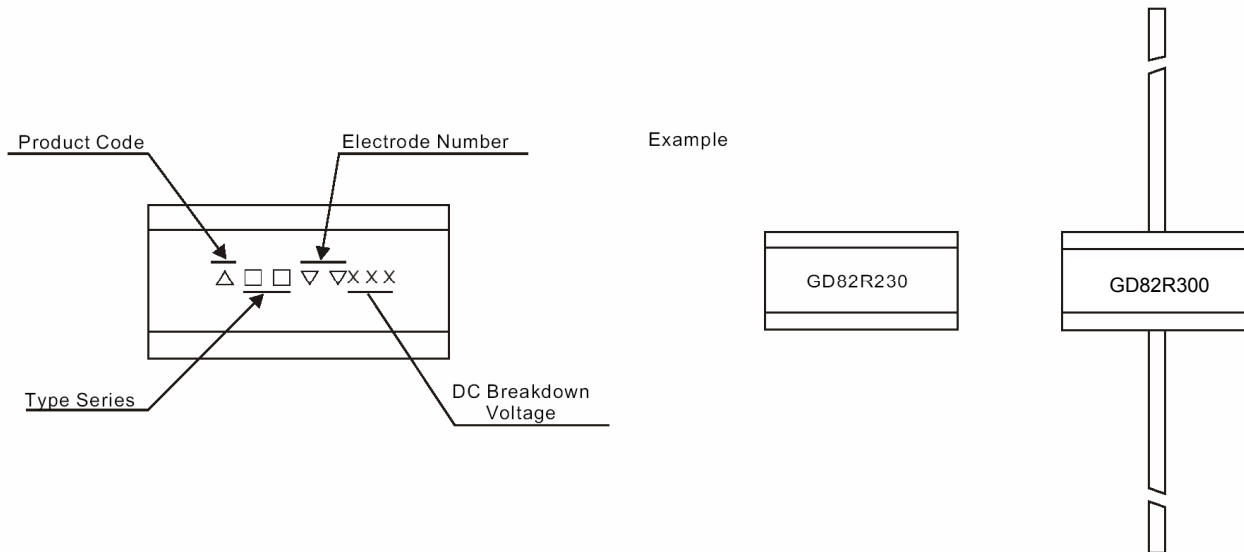
Gas Discharge Tube: GD8 Series

Two Electrode $\Phi 8.0 \times T6$ mm



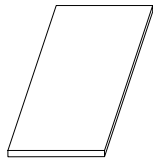
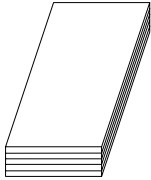
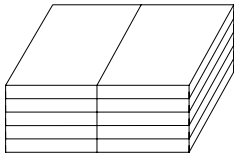
■ Marking

For 2-electrode GDT



■ Packaging

● Bulk

PS Box (263×144×6mm)	Inner Box (270×145×50mm)	Outside Box (315×300×270mm)
		
100 PCS/Box	500 PCS/box	5000 PCS/carton

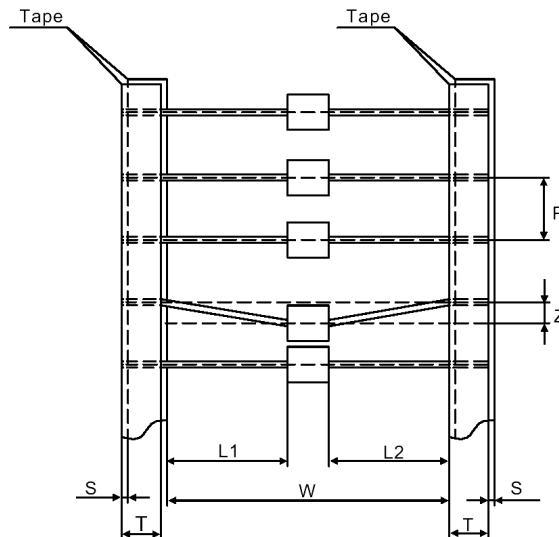
Gas Discharge Tube: GD8 Series

Two Electrode $\Phi 8.0 \times T6$ mm



● Taping

For 2-electrode Axial Lead GDT



Unit:mm

ITEM	W	P	L1-L2	T	Z	S
MAX	54	11	1.4	7	1.2	0.8
MIN	51	9	—	5	—	—

Reel ($\Phi 340$ mm)	Inner Box (340×240×85mm)	Outer Carton (380×380×388mm)
500PCS/Reel	500PCS/box	2000PCS/carton

■ Storage Condition of GDT

(I) Storage condition:

1. Storage Temperature : $-10^{\circ}\text{C} \sim +40^{\circ}\text{C}$.
2. Relative humidity: $\leq 75\% \text{RH}$.
3. Gas Discharge Tube must be kept away from sunlight and stored in a non-corrosive atmosphere.

(II) Period of storage: 1 year.