

MC33464

Micropower Undervoltage Sensing Circuits

The MC33464 series are micropower undervoltage sensing circuits that are specifically designed for use with battery powered microprocessor based systems, where extended battery life is required. A choice of several threshold voltages from 0.9 V to 4.5 V are available. These devices feature a very low quiescent bias current of 0.8 μ A typical.

The MC33464 series features a highly accurate voltage reference, a comparator with precise thresholds and built-in hysteresis to prevent erratic reset operation, a choice of output configurations between open drain or complementary MOS, and guaranteed operation below 1.0 V with extremely low standby current. These devices are available in either SOT-89 3-pin or SOT-23 5-pin surface mount packages.

Applications include direct monitoring of the MPU/logic power supply used in portable, appliance, automotive and industrial equipment.

- Extremely Low Standby Current of 0.8 μ A at $V_{in} = 1.5$ V
- Wide Input Voltage Range (0.7 V to 10 V)
- Monitors Power Supply Voltages from 1.1 V to 5.0 V
- High Accuracy Detector Threshold ($\pm 2.5\%$)
- Two Reset Output Types (Open Drain or Complementary Drive)
- Two Surface Mount Packages (SOT-89 or SOT-23 5-Pin)

ORDERING INFORMATION

Device	Threshold Voltage	Type	Marking	Package (Qty/Reel)
MC33464H-09AT1	0.9	Open Drain Reset	T09A	SOT-89 (1000)
MC33464H-20AT1	2.0		T20A	
MC33464H-27AT1	2.7		T27A	
MC33464H-30AT1	3.0		T30A	
MC33464H-45AT1	4.5		T45A	
MC33464H-09CT1	0.9	Compl. MOS Reset	T09C	
MC33464H-20CT1	2.0		T20C	
MC33464H-27CT1	2.7		T27C	
MC33464H-30CT1	3.0		T30C	
MC33464H-43CT1	4.3		T43C	
MC33464H-45CT1	4.5		T45C	

Other voltages from 0.9 to 6.0 V, in 0.1 V increments, are available. Consult factory for information.



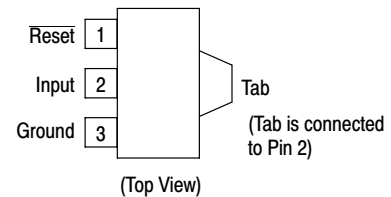
ON Semiconductor®

<http://onsemi.com>

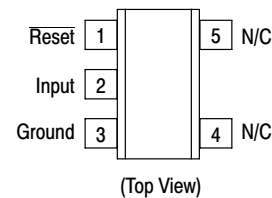
MICROPOWER UNDERVOLTAGE SENSING CIRCUITS SEMICONDUCTOR TECHNICAL DATA



H SUFFIX
PLASTIC PACKAGE
CASE 1213
(SOT-89)



N SUFFIX
PLASTIC PACKAGE
CASE 1212
(SOT-23-5)



MC33464

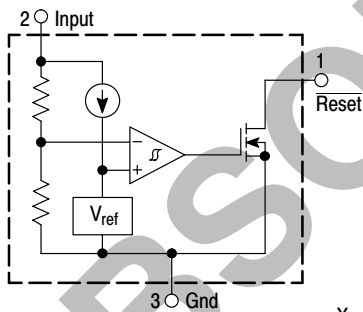
ORDERING INFORMATION

Device	Threshold Voltage	Type	Marking	Package (Qty/Reel)
MC33464N-09ATR	0.9	Open Drain Reset	9N	SOT-23 (3000)
MC33464N-20ATR	2.0		0R	
MC33464N-21ATR	2.1		1R	
MC33464N-27ATR	2.7		7R	
MC33464N-30ATR	3.0		0S	
MC33464N-45ATR	4.5		5T	
MC33464N-48ATR	4.8	8T		
MC33464N-09CTR	0.9	Compl. MOS Reset	9F	
MC33464N-20CTR	2.0		0J	
MC33464N-27CTR	2.7		7J	
MC33464N-30CTR	3.0		0K	
MC33464N-45CTR	4.5		5L	

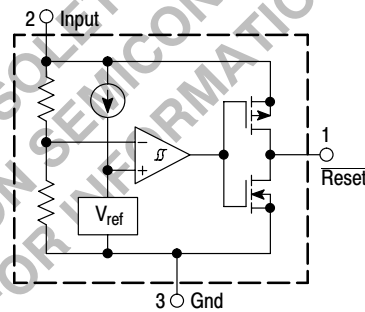
Other voltages from 0.9 to 6.0 V, in 0.1 V increments, are available. Consult factory for information.

Representative Block Diagrams

MC33464X-YYATZ
Open Drain Configuration



MC33464X-YYCTZ
Complementary Drive Configuration



X Denotes Package Type
YY Denotes Threshold Voltage
TZ Denotes Taping Type

This device contains 25 active transistors.

MAXIMUM RATINGS (T_C = 25°C, unless otherwise noted.)

Rating	Symbol	Value	Unit
Power Input Supply Voltage	V _{in}	0 to 10	V
Reset Output Voltage	V _O	-0.3 to 10	V
Reset Output Current (Source or Sink)	I _O	70	mA
Power Dissipation and Thermal Characteristics			
Maximum Power Dissipation			
Case 1212 (SOT-23) N Suffix	P _D	150	mW
Thermal Resistance, Junction-to-Ambient	R _{θJA}	667	°C/W
Maximum Power Dissipation			
Case 1213 (SOT-89) H suffix	P _D	300	mW
Thermal Resistance, Junction-to-Ambient	R _{θJA}	333	°C/W
Operating Junction Temperature	T _J	+125	°C
Operating Ambient Temperature	T _A	-40 to +85	°C
Storage Temperature Range	T _{stg}	-40 to +125	°C
Lead Temperature (Soldering)	T _{solder}	260°C, 10 s	-

MC33464

ELECTRICAL CHARACTERISTICS (For all values $T_A = 25^\circ\text{C}$ (Note 1), unless otherwise noted.)

Characteristic	Symbol	Min	Typ	Max	Unit
COMPARATOR					
Threshold Voltage High State Output (V_{in} Decreasing) 09 Suffix 20 Suffix 21 Suffix 27 Suffix 30 Suffix 43 Suffix 45 Suffix 48 Suffix	V_{IH}	0.878 1.95 2.048 2.633 2.925 4.193 4.388 4.680	0.9 2.0 2.1 2.7 3.0 4.3 4.5 4.8	0.922 2.05 2.152 2.768 3.075 4.407 4.613 4.920	V
Threshold Hysteresis 09 Suffix 20 Suffix 21 Suffix 27 Suffix 30 Suffix 43 Suffix 45 Suffix 48 Suffix	V_H	0.027 0.060 0.063 0.081 0.090 0.129 0.135 0.144	0.045 0.100 0.105 0.135 0.150 0.215 0.225 0.240	0.063 0.140 0.147 0.189 0.210 0.301 0.315 0.336	V
Threshold Voltage Temperature Coefficient	T_C	-	± 100	-	PPM/ $^\circ\text{C}$
RESET OUTPUT					
Output Voltage High State (Complementary Output: $I_{source} = 1.0$ mA) Low State (Complementary or Open Drain: $I_{sink} = 1.0$ mA)	V_{OH} V_{OL}	$V_{in} - 2.1$ -	$V_{in} - 1.0$ 0.025	V_{in} 0.05	V
Output Sink Current ($V_{in} = 1.5$ V, $V_{OL} = 0.5$ V)	I_{OL}	1.0	2.0	-	mA
Output Source Current ($V_{in} = 4.5$ V, $V_{OL} = 2.4$ V)	I_{OH}	1.0	2.0	-	mA
TOTAL DEVICE					
Operating Input Voltage Range	V_{in}	0.7 to 10	-	-	V
Quiescent Input Current $V_{in} = 2.9$ V $V_{in} = 5.6$ V	I_{in}	- -	0.9 1.2	2.7 3.6	μA
Propagation Delay Time (Note 2)	t_p	-	-	100	μs

NOTES: 1. Low duty pulse techniques are used during test to maintain junction temperature as close to ambient as possible.

2. Propagation delay time is measured from the rising or falling edge of the input voltage to the point where the output voltage has transitioned to 50% of its final value.

Figure 1. Quiescent Current versus Input Voltage

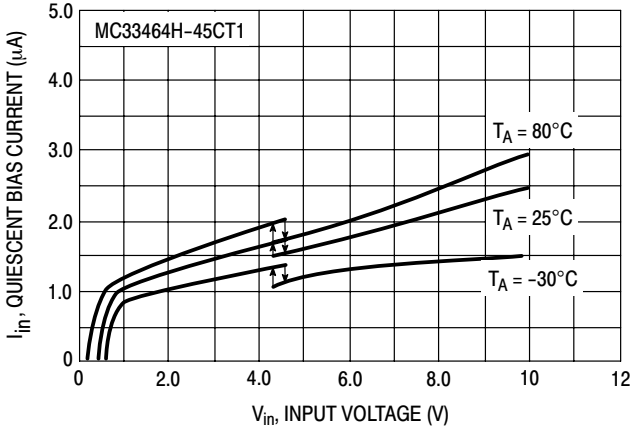


Figure 2. Detector Threshold versus Temperature

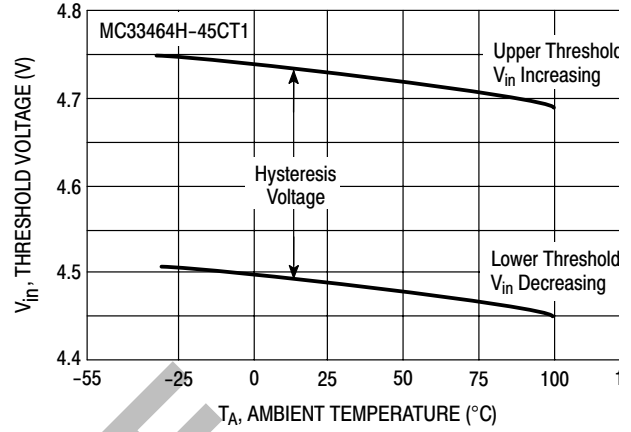


Figure 3. \overline{Reset} Output Voltage versus Input Voltage

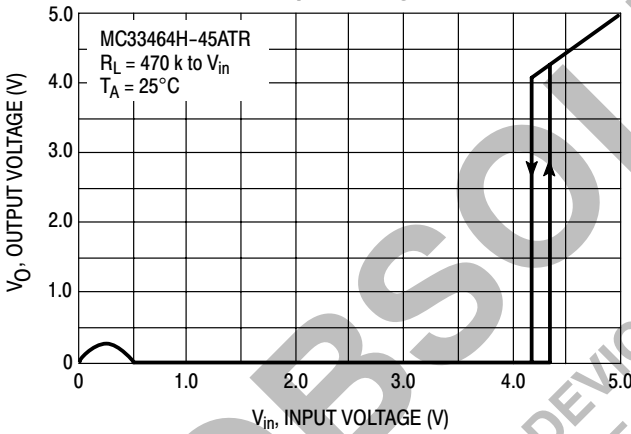


Figure 4. \overline{Reset} Output Voltage versus Sink Current

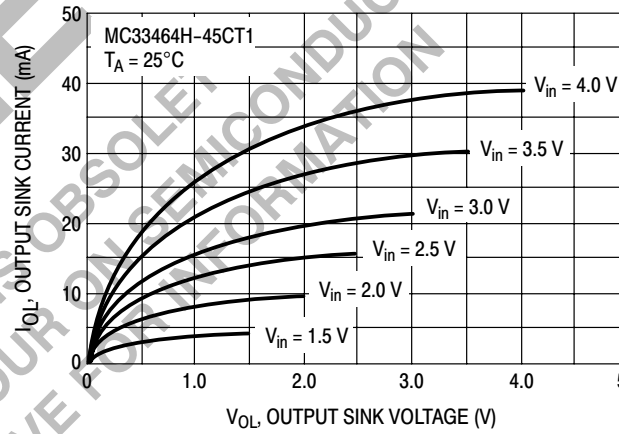


Figure 5. Output Delay Time versus Load Capacitance

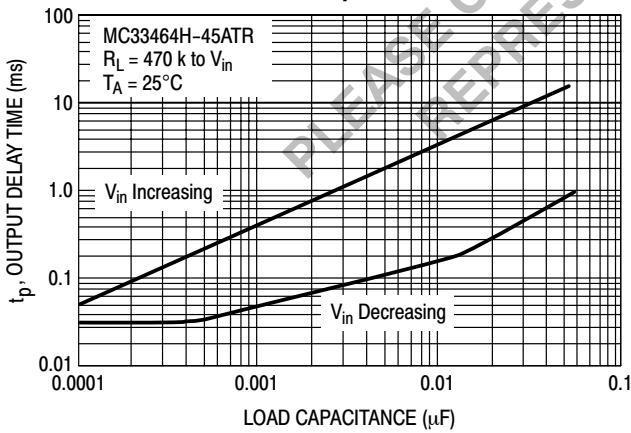
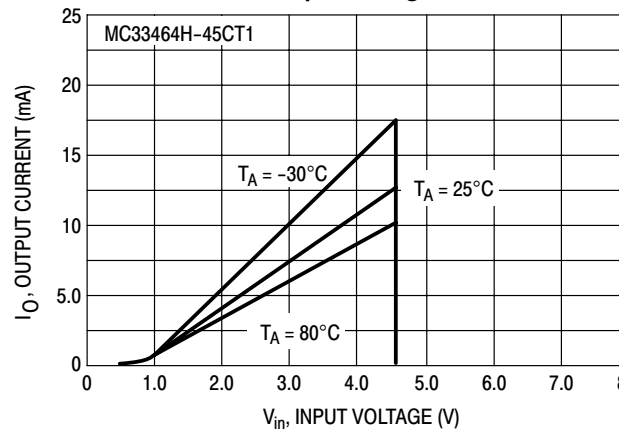
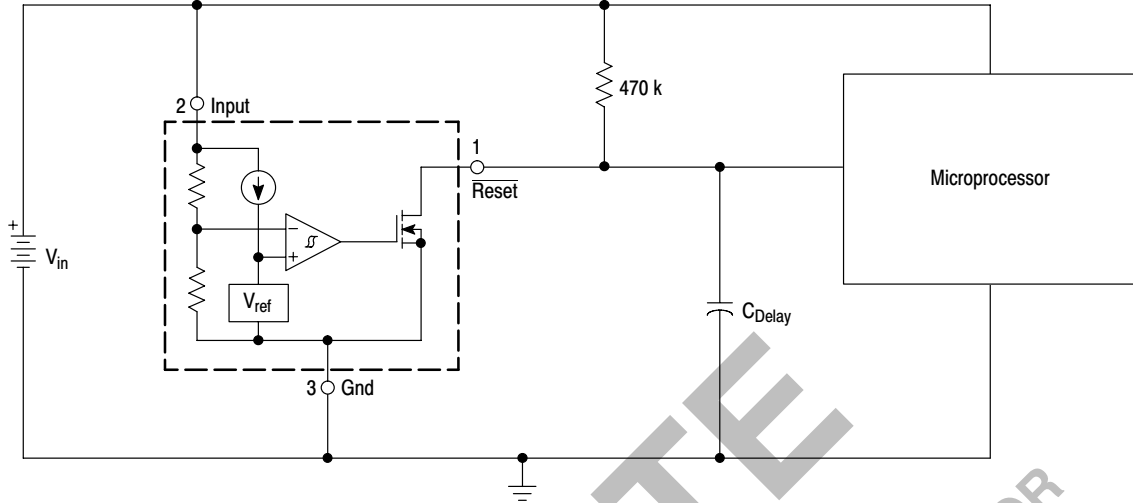


Figure 6. Output Sink Current versus Input Voltage



MC33464

Figure 7. Microprocessor Reset Circuit with Delay

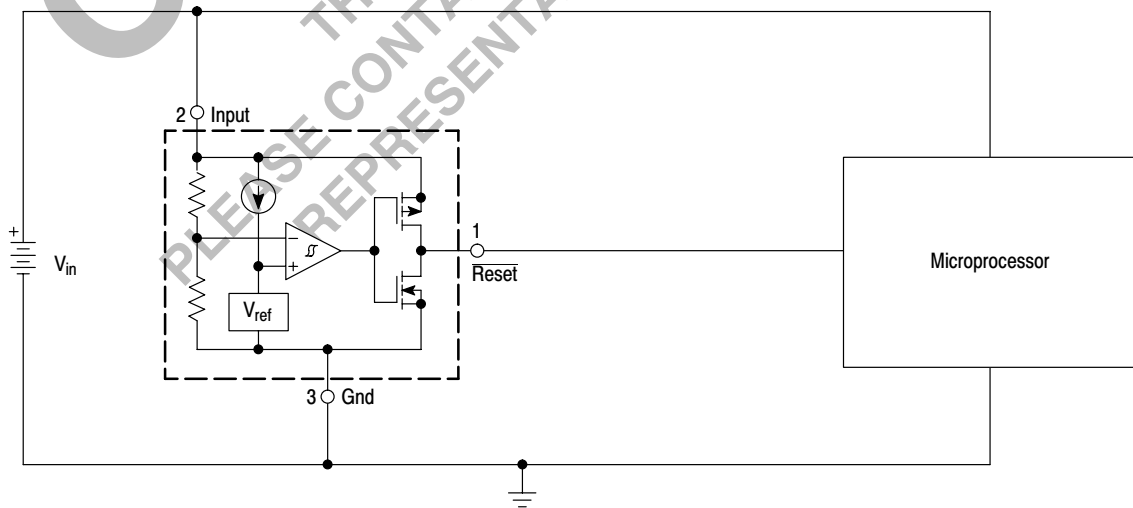


A time delayed reset can be accomplished with the addition of C_{Delay} . Figure 5 provides a graph of time delays, for both rising and falling output waveform edges, as a function of C_{Delay} . If another value of pullup resistance is used, the time delay can be calculated by using the equation:

$$t_{Delay} = R C_{Delay} \left[\frac{1}{\left(1 - \frac{V_{th(MPU)}}{V_{in}} \right)} \right] + t_p$$

where V_{thMPU} is the microprocessor reset input threshold voltage and t_p is the propagation delay internal to the MC33464.

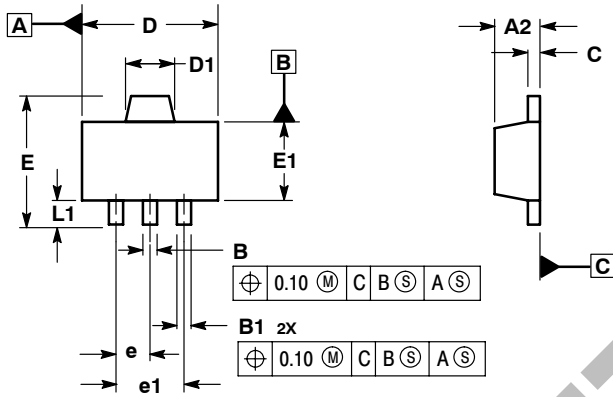
Figure 8. Microprocessor Reset Circuit



MC33464

OUTLINE DIMENSIONS

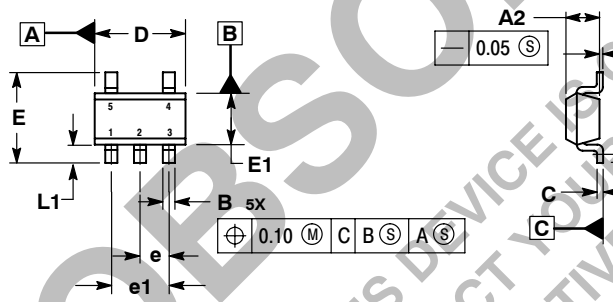
H SUFFIX
 PLASTIC PACKAGE
 CASE 1213-01
 (SOT-89)
 ISSUE O



- NOTES:
1. DIMENSIONS ARE IN MILLIMETERS.
 2. INTERPRET DIMENSIONS AND TOLERANCING PER ASME Y14.5M, 1994.
 3. DATUM C IS A SEATING PLANE.

MILLIMETERS		
DIM	MIN	MAX
A2	1.40	1.60
B	0.37	0.57
B1	0.32	0.52
C	0.30	0.50
D	4.40	4.60
D1	1.50	1.70
E	---	4.25
E1	2.40	2.60
e	1.50 BSC	
e1	3.00 BSC	
L1	0.80	---

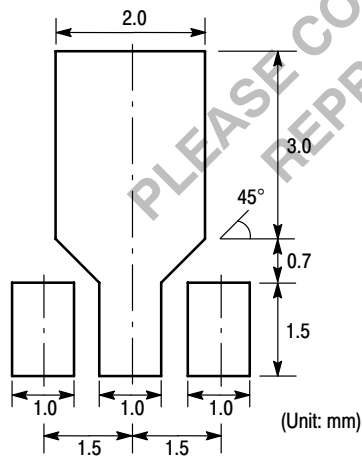
N SUFFIX
 PLASTIC PACKAGE
 CASE 1212-01
 (SOT-23-5)
 ISSUE O



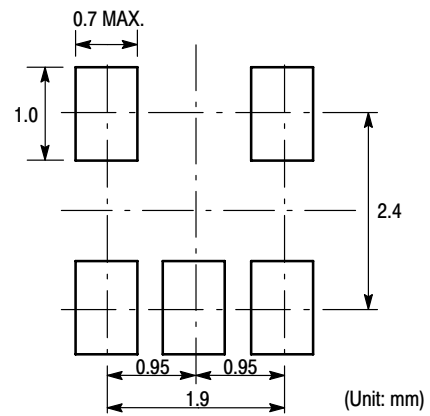
- NOTES:
1. DIMENSIONS ARE IN MILLIMETERS.
 2. INTERPRET DIMENSIONS AND TOLERANCES PER ASME Y14.5M, 1994.
 3. DATUM C IS A SEATING PLANE.

MILLIMETERS		
DIM	MIN	MAX
A1	0.00	0.10
A2	1.00	1.30
B	0.30	0.50
C	0.10	0.25
D	2.80	3.00
E	2.50	3.10
E1	1.50	1.80
e	0.95 BSC	
e1	1.90 BSC	
L	0.20	---
L1	0.45	0.75

Recommended Footprint for Surface Mount Applications



SOT-89



SOT-23-5

OBSOLETE
 THIS DEVICE IS OBSOLETE
 PLEASE CONTACT YOUR ON SEMICONDUCTOR
 REPRESENTATIVE FOR INFORMATION

ON Semiconductor and **ON** are registered trademarks of Semiconductor Components Industries, LLC (SCILLC). SCILLC reserves the right to make changes without further notice to any products herein. SCILLC makes no warranty, representation or guarantee regarding the suitability of its products for any particular purpose, nor does SCILLC assume any liability arising out of the application or use of any product or circuit, and specifically disclaims any and all liability, including without limitation special, consequential or incidental damages. "Typical" parameters which may be provided in SCILLC data sheets and/or specifications can and do vary in different applications and actual performance may vary over time. All operating parameters, including "Typicals" must be validated for each customer application by customer's technical experts. SCILLC does not convey any license under its patent rights nor the rights of others. SCILLC products are not designed, intended, or authorized for use as components in systems intended for surgical implant into the body, or other applications intended to support or sustain life, or for any other application in which the failure of the SCILLC product could create a situation where personal injury or death may occur. Should Buyer purchase or use SCILLC products for any such unintended or unauthorized application, Buyer shall indemnify and hold SCILLC and its officers, employees, subsidiaries, affiliates, and distributors harmless against all claims, costs, damages, and expenses, and reasonable attorney fees arising out of, directly or indirectly, any claim of personal injury or death associated with such unintended or unauthorized use, even if such claim alleges that SCILLC was negligent regarding the design or manufacture of the part. SCILLC is an Equal Opportunity/Affirmative Action Employer. This literature is subject to all applicable copyright laws and is not for resale in any manner.

PUBLICATION ORDERING INFORMATION

LITERATURE FULFILLMENT:

Literature Distribution Center for ON Semiconductor
 P.O. Box 5163, Denver, Colorado 80217 USA
Phone: 303-675-2175 or 800-344-3860 Toll Free USA/Canada
Fax: 303-675-2176 or 800-344-3867 Toll Free USA/Canada
Email: orderlit@onsemi.com

N. American Technical Support: 800-282-9855 Toll Free
 USA/Canada
Europe, Middle East and Africa Technical Support:
 Phone: 421 33 790 2910
Japan Customer Focus Center
 Phone: 81-3-5773-3850

ON Semiconductor Website: www.onsemi.com

Order Literature: <http://www.onsemi.com/orderlit>

For additional information, please contact your local Sales Representative