



LIN System Basis Chip with DC Motor Pre-driver and Current Sense

The 33912 is a Serial Peripheral Interface (SPI) -controlled System Basis Chip (SBC), combining many frequently used functions in an MCU-based system, plus a Local Interconnect Network (LIN) transceiver. The 33912 has a 5.0V - 60mA low dropout regulator with full protection and reporting features. The device provides full SPI-readable diagnostics and a selectable timing watchdog for detecting errant operation. The LIN Protocol Specification 2.0 compliant LIN transceiver has waveshaping circuitry that can be disabled for higher data rates.

Two 60mA high side switches and two 160mA low side switches with output protection are available for driving resistive and inductive loads. All outputs can be pulse-width modulated (PWM). Four high voltage inputs are available for use in contact monitoring, or as external wake-up inputs. These inputs can be used as high voltage Analog Inputs. The voltage on these pins is divided by a selectable ratio and available via an analog multiplexer.

The 33912 has three main operating modes: Normal (all functions available), Sleep (V_{DD} off, wake-up via LIN, wake-up inputs (L1-L4), cyclic sense and forced wake-up), and Stop (V_{DD} on with limited current capability, wake-up via CS, LIN bus, wake-up inputs, cyclic sense, forced wake-up and external reset).

The 33912 is compatible with LIN Protocol Specification 2.0.

Features

- Full-duplex SPI interface at frequencies up to 4MHz
- LIN transceiver capable of up to 100kbps with wave shaping
- Two 60mA high side and two 160mA low side protected switches
- Four high voltage analog/logic Inputs
- Configurable window watchdog
- 5.0V low drop regulator with fault detection and low voltage reset (LVR) circuitry
- Current sense module
- Switched/protected 5.0V output (used for Hall sensors)
- Pb-free packaging designated by suffix code AC

33912

**SYSTEM BASIS CHIP WITH LIN
2ND GENERATION**



**AC SUFFIX (Pb-FREE)
98ASH70029A
32-PIN LQFP**

ORDERING INFORMATION		
Device	Temperature Range (T_A)	Package
MC33912BAC/R2	-40°C to 125°C	32-LQFP
MC34912BAC/R2	-40°C to 85°C	

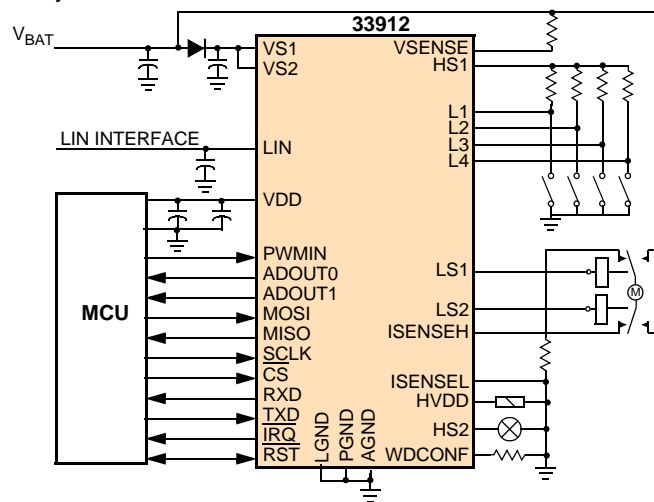


Figure 1. 33912 Simplified Application Diagram

* This document contains certain information on a new product. Specifications and information herein are subject to change without notice.



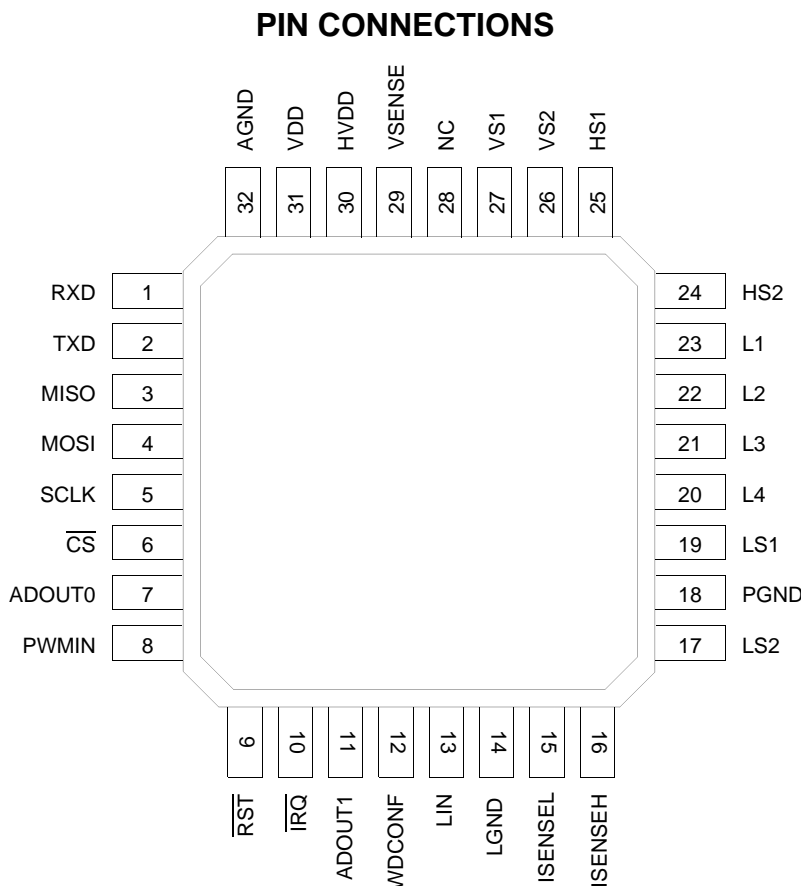


Figure 3. 33912 Pin Connections

Table 1. 33912 Pin Definitions

A functional description of each pin can be found in the [Functional Pin Description](#) section beginning on [page 21](#).

Pin	Pin Name	Formal Name	Definition
1	RXD	Receiver Output	This pin is the receiver output of the LIN interface which reports the state of the bus voltage to the MCU interface.
2	TXD	Transmitter Input	This pin is the transmitter input of the LIN interface which controls the state of the bus output.
3	MISO	SPI Output	SPI (Serial Peripheral Interface) data output. When \overline{CS} is high, pin is in the high-impedance state.
4	MOSI	SPI Input	SPI (Serial Peripheral Interface) data input.
5	SCLK	SPI Clock	SPI (Serial Peripheral Interface) clock Input.
6	\overline{CS}	SPI Chip Select	SPI (Serial Peripheral Interface) chip select input pin. \overline{CS} is active low.
7	ADOUT0	Analog Output Pin 0	Analog Multiplexer Output.
8	PWMIN	PWM Input	High Side and Low Side Pulse Width Modulation Input.
9	\overline{RST}	Internal Reset I/O	Bidirectional Reset I/O pin - driven low when any internal reset source is asserted. \overline{RST} is active low.
10	\overline{IRQ}	Internal Interrupt Output	Interrupt output pin, indicating wake-up events from Stop Mode or events from Normal and Normal request modes. \overline{IRQ} is active low.
11	ADOUT1	Analog Output Pin 1	Current sense analog output.

Table 1. 33912 Pin Definitions

A functional description of each pin can be found in the [Functional Pin Description](#) section beginning on [page 21](#).

Pin	Pin Name	Formal Name	Definition
12	WDCONF	Watchdog Configuration Pin	This input pin is for configuration of the watchdog period and allows the disabling of the watchdog.
13	LIN	LIN Bus	This pin represents the single-wire bus transmitter and receiver.
14	LGND	LIN Ground Pin	This pin is the device LIN ground connection. It is internally connected to the PGND pin.
15	ISENSEL	Current Sense Pins	Current Sense differential inputs.
16	ISENSEH		
17	LS2	Low Side Outputs	Relay drivers low side outputs.
19	LS1		
18	PGND	Power Ground Pin	This pin is the device low side ground connection. It is internally connected to the LGND pin.
20	L4	Wake-Up Inputs	These pins are the wake-up capable digital inputs ⁽¹⁾ . In addition, all Lx inputs can be sensed analog via the analog multiplexer.
21	L3		
22	L2		
23	L1		
24	HS2	High Side Outputs	High side switch outputs.
25	HS1		
26	VS2	Power Supply Pin	These pins are device battery level power supply pins. VS2 is supplying the HSx drivers while VS1 supplies the remaining blocks. ⁽²⁾
27	VS1		
29	VSENSE	Voltage Sense Pin	Battery voltage sense input. ⁽³⁾
30	HVDD	Hall Sensor Supply Output	+5.0V switchable supply output pin. ⁽⁴⁾
31	VDD	Voltage Regulator Output	+5.0V main voltage regulator output pin. ⁽⁵⁾
32	AGND	Analog Ground Pin	This pin is the device analog ground connection.

Notes

- When used as digital input, a series 33k Ω resistor must be used to protect against automotive transients.
- Reverse battery protection series diodes must be used externally to protect the internal circuitry.
- This pin can be connected directly to the battery line for voltage measurements. The pin is self protected against reverse battery connections. It is strongly recommended to connect a 10k Ω resistor in series with this pin for protection purposes.
- External capacitor (1 μ F < C < 10 μ F; 0.1 Ω < ESR < 5 Ω) required.
- External capacitor (2 μ F < C < 100 μ F; 0.1 Ω < ESR < 10 Ω) required.

ELECTRICAL CHARACTERISTICS

MAXIMUM RATINGS

Table 2. Maximum Ratings

All voltages are with respect to ground unless otherwise noted. Exceeding these ratings may cause a malfunction or permanent damage to the device.

Ratings	Symbol	Value	Unit
ELECTRICAL RATINGS			
Supply Voltage at VS1 and VS2			V
Normal Operation (DC)	$V_{SUP(SS)}$	-0.3 to 27	
Transient Conditions (load dump)	$V_{SUP(PK)}$	-0.3 to 40	
Supply Voltage at VDD	V_{DD}	-0.3 to 5.5	V
Input / Output Pins Voltage ⁽⁶⁾			V
\overline{CS} , \overline{RST} , SCLK, PwMIN, ADOUT0, ADOUT1, MOSI, MISO, TXD, RXD, HVDD	V_{IN}	-0.3 to $V_{DD} + 0.3$	
Interrupt Pin (\overline{IRQ}) ⁽⁷⁾	$V_{IN(IRQ)}$	-0.3 to 11	
HS1 and HS2 Pin Voltage (DC)	V_{HS}	-0.3 to $V_{SUP} + 0.3$	V
LS1 and LS2 Pin Voltage (DC)	V_{LS}	-0.3 to 45	V
L1, L2, L3 and L4 Pin Voltage			V
Normal Operation with a series 33k resistor (DC)	V_{LxDC}	-18 to 40	
Transient input voltage with external component (according to ISO7637-2) (See Figure 5 , page 17)	V_{LxTR}	±100	
ISENSEH and ISENSEL Pin Voltage (DC)	V_{ISENSE}	-0.3 to 40	V
VSENSE Pin Voltage (DC)	V_{VSENSE}	-27 to 40	V
LIN Pin Voltage			V
Normal Operation (DC)	V_{BUSDC}	-18 to 40	
Transient input voltage with external component (according to ISO7637-2) (See Figure 4 , page 17)	V_{BUSTR}	-150 to 100	
VDD output current	I_{VDD}	Internally Limited	A
ESD Voltage ⁽⁸⁾			V
Human Body Model - LIN Pin	V_{ESD1-1}	±8000	
Human Body Model - all other Pins	V_{ESD1-2}	±2000	
Machine Model	V_{ESD2}	±200	
Charge Device Model			
Corner Pins (Pins 1, 8, 9, 16, 17, 24, 25 and 32)	V_{ESD3-1}	±750	
All other Pins (Pins 2-7, 10-15, 18-23, 26-31)	V_{ESD3-2}	±500	

Notes

- Exceeding voltage limits on specified pins may cause a malfunction or permanent damage to the device.
- Extended voltage range for programming purpose only.
- Testing is performed in accordance with the Human Body Model ($C_{ZAP} = 100\text{pF}$, $R_{ZAP} = 1500\Omega$), Machine Model ($C_{ZAP} = 200\text{pF}$, $R_{ZAP} = 0\Omega$) and the Charge Device Model, Robotic ($C_{ZAP} = 4.0\text{pF}$).

Table 2. Maximum Ratings (continued)

All voltages are with respect to ground unless otherwise noted. Exceeding these ratings may cause a malfunction or permanent damage to the device.

Ratings	Symbol	Value	Unit
THERMAL RATINGS			
Operating Ambient Temperature ⁽⁹⁾	T _A	-40 to 125	°C
33912 34912		-40 to 85	
Operating Junction Temperature	T _J	-40 to 150	°C
Storage Temperature	T _{STG}	-55 to 150	°C
Thermal Resistance, Junction to Ambient	R _{0JA}		°C/W
Natural Convection, Single Layer board (1s) ^{(10), (11)}		85	
Natural Convection, Four Layer board (2s2p) ^{(10), (12)}		56	
Thermal Resistance, Junction to Case ⁽¹³⁾	R _{0JC}	23	°C/W
Peak Package Reflow Temperature During Reflow ^{(14), (15)}	T _{PPRT}	Note 15	°C

Notes

9. The limiting factor is junction temperature; taking into account the power dissipation, thermal resistance, and heat sinking.
10. Junction temperature is a function of on-chip power dissipation, package thermal resistance, mounting site (board) temperature, ambient temperature, air flow, power dissipation of other components on the board, and board thermal resistance.
11. Per JEDEC JESD51-2 with the single layer board (JESD51-3) horizontal.
12. Per JEDEC JESD51-6 with the board (JESD51-7) horizontal.
13. Thermal resistance between the die and the case top surface as measured by the cold plate method (MIL SPEC-883 Method 1012.1).
14. Pin soldering temperature limit is for 10 seconds maximum duration. Not designed for immersion soldering. Exceeding these limits may cause malfunction or permanent damage to the device.
15. Freescale's Package Reflow capability meets Pb-free requirements for JEDEC standard J-STD-020C. For Peak Package Reflow Temperature and Moisture Sensitivity Levels (MSL), Go to www.freescale.com, search by part number [e.g. remove prefixes/suffixes and enter the core ID to view all orderable parts. (i.e. MC33xxxD enter 33xxx), and review parametrics.

STATIC ELECTRICAL CHARACTERISTICS

Table 3. Static Electrical Characteristics

Characteristics noted under conditions $5.5V \leq V_{SUP} \leq 18V$, $-40^{\circ}C \leq T_A \leq 125^{\circ}C$ for the 33912 and $-40^{\circ}C \leq T_A \leq 85^{\circ}C$ for the 34912, unless otherwise noted. Typical values noted reflect the approximate parameter mean at $T_A = 25^{\circ}C$ under nominal conditions, unless otherwise noted.

Characteristic	Symbol	Min	Typ	Max	Unit
SUPPLY VOLTAGE RANGE (VS1, VS2)					
Nominal Operating Voltage	V_{SUP}	5.5	–	18	V
Functional Operating Voltage ⁽¹⁶⁾	V_{SUPOP}	–	–	27	V
Load Dump	V_{SUPLD}	–	–	40	V
SUPPLY CURRENT RANGE ($V_{SUP} = 13.5V$)					
Normal Mode (I_{OUT} at $V_{DD} = 10mA$), LIN Recessive State ⁽¹⁷⁾	I_{RUN}	–	4.5	10	mA
Stop Mode, VDD ON with $I_{OUT} = 100\mu A$, LIN Recessive State ^{(17), (18), (19)}	I_{STOP}	$5.5V < V_{SUP} < 12V$	–	48	80
		$V_{SUP} = 13.5V$	–	58	90
Sleep Mode, VDD OFF, LIN Recessive State ^{(17), (19)}	I_{SLEEP}	$5.5V < V_{SUP} < 12V$	–	27	35
		$12V \leq V_{SUP} < 13.5V$	–	37	48
Cyclic Sense Supply Current Adder ⁽²⁰⁾	I_{CYCLIC}	–	10	–	μA
SUPPLY UNDER/OVER VOLTAGE DETECTIONS					
Power-On Reset (BATFAIL) ⁽²¹⁾	$V_{BATFAIL}$ $V_{BATFAIL_HYS}$	Threshold (measured on VS1) ⁽²⁰⁾	1.5	3.0	3.9
		Hysteresis (measured on VS1) ⁽²⁰⁾	–	0.9	–
Vsup under voltage detection (VSUV Flag) (Normal and Normal Request Modes, Interrupt Generated)	V_{SUV} V_{SUV_HYS}	Threshold (measured on VS1)	5.55	6.0	6.6
		Hysteresis (measured on VS1)	–	1.0	–
Vsup over voltage detection (VSOV Flag) (Normal and Normal Request Modes, Interrupt Generated)	V_{SOV} V_{SOV_HYS}	Threshold (measured on VS1)	18	19.25	20.5
		Hysteresis (measured on VS1)	–	1.0	–

Notes

16. Device is fully functional. All features are operating.
17. Total current ($I_{VS1} + I_{VS2}$) measured at GND pins excluding all loads, cyclic sense disabled.
18. Total I_{DD} current (including loads) below $100\mu A$.
19. Stop and Sleep Modes current will increase if V_{SUP} exceeds $13.5V$.
20. This parameter is guaranteed by process monitoring but not production tested.
21. The Flag is set during power up sequence. To clear the flag, a SPI read must be performed.

Table 3. Static Electrical Characteristics (continued)

Characteristics noted under conditions $5.5V \leq V_{SUP} \leq 18V$, $-40^{\circ}C \leq T_A \leq 125^{\circ}C$ for the 33912 and $-40^{\circ}C \leq T_A \leq 85^{\circ}C$ for the 34912, unless otherwise noted. Typical values noted reflect the approximate parameter mean at $T_A = 25^{\circ}C$ under nominal conditions, unless otherwise noted.

Characteristic	Symbol	Min	Typ	Max	Unit
VOLTAGE REGULATOR⁽²²⁾ (VDD)					
Normal Mode Output Voltage $1.0mA < I_{VDD} < 50mA$; $5.5V < V_{SUP} < 27V$	V_{DDRUN}	4.75	5.00	5.25	V
Normal Mode Output Current Limitation	I_{VDDRUN}	60	110	200	mA
Dropout Voltage ⁽²³⁾ $I_{VDD} = 50mA$	V_{DDDROP}	–	0.1	0.25	V
Stop Mode Output Voltage $I_{VDD} < 5mA$	V_{DDSTOP}	4.75	5.0	5.25	V
Stop Mode Output Current Limitation	$I_{VDDSTOP}$	6.0	12	36	mA
Line Regulation Normal Mode, $5.5V < V_{SUP} < 18V$; $I_{VDD} = 10mA$ Stop Mode, $5.5V < V_{SUP} < 18V$; $I_{VDD} = 1.0mA$	LR_{RUN} LR_{STOP}	– –	20 5.0	25 25	mV
Load Regulation Normal Mode, $1.0mA < I_{VDD} < 50mA$ Stop Mode, $0.1mA < I_{VDD} < 5mA$	LD_{RUN} LD_{STOP}	– –	15 10	80 50	mV
Over-temperature Prewarning (Junction) ⁽²⁴⁾ Interrupt generated, VDDOT Bit Set	T_{PRE}	110	125	140	$^{\circ}C$
Over-temperature Prewarning Hysteresis ⁽²⁴⁾	T_{PRE_HYS}	–	10	–	$^{\circ}C$
Over-temperature Shutdown Temperature (Junction) ⁽²⁴⁾	T_{SD}	155	170	185	$^{\circ}C$
Over-temperature Shutdown Hysteresis ⁽²⁴⁾	T_{SD_HYS}	–	10	–	$^{\circ}C$
HALL SENSOR SUPPLY OUTPUT⁽²⁵⁾ (HVDD)					
V_{DD} Voltage matching $H_{VDDACC} = (HVDD - VDD) / VDD * 100\%$ $I_{HVDD} = 15mA$	H_{VDDACC}	-2.0	–	2.0	%
Current Limitation	I_{HVDD}	20	30	50	mA
Dropout Voltage $I_{HVDD} = 15mA$; $I_{VDD} = 5mA$	$H_{VDDDROP}$	–	160	300	mV
Line Regulation $I_{HVDD} = 5mA$; $I_{VDD} = 5mA$	LR_{HVDD}	–	25	40	mV
Load Regulation $1mA > I_{HVDD} > 15mA$; $I_{VDD} = 5mA$	LD_{HVDD}	–	10	20	mV

Notes

22. Specification with external capacitor $2\mu F < C < 100\mu F$ and $100m\Omega \leq ESR \leq 10\Omega$.
23. Measured when voltage has dropped 250mV below its nominal Value (5V).
24. This parameter is guaranteed by process monitoring but not production tested.
25. Specification with external capacitor $1\mu F < C < 10\mu F$ and $100m\Omega \leq ESR \leq 10\Omega$.

Table 3. Static Electrical Characteristics (continued)

Characteristics noted under conditions $5.5V \leq V_{SUP} \leq 18V$, $-40^{\circ}C \leq T_A \leq 125^{\circ}C$ for the 33912 and $-40^{\circ}C \leq T_A \leq 85^{\circ}C$ for the 34912, unless otherwise noted. Typical values noted reflect the approximate parameter mean at $T_A = 25^{\circ}C$ under nominal conditions, unless otherwise noted.

Characteristic	Symbol	Min	Typ	Max	Unit
RST INPUT/OUTPUT PIN (RST)					
VDD Low Voltage Reset Threshold	V_{RSTTH}	4.3	4.5	4.7	V
Low-state Output Voltage $I_{OUT} = 1.5mA$; $3.5V \leq V_{SUP} \leq 27V$	V_{OL}	0.0	–	0.9	V
High-state Output Current ($0 < V_{OUT} < 3.5V$)	I_{OH}	-150	-250	-350	μA
Pull-down Current Limitation (internally limited) $V_{OUT} = V_{DD}$	I_{PD_MAX}	1.5	–	8.0	mA
Low-state Input Voltage	V_{IL}	-0.3	–	$0.3 \times V_{DD}$	V
High-state Input Voltage	V_{IH}	$0.7 \times V_{DD}$	–	$V_{DD} + 0.3$	V
MISO SPI OUTPUT PIN (MISO)					
Low-state Output Voltage $I_{OUT} = 1.5mA$	V_{OL}	0.0	–	1.0	V
High-state Output Voltage $I_{OUT} = -250\mu A$	V_{OH}	$V_{DD} - 0.9$	–	V_{DD}	V
Tri-state Leakage Current $0V \leq V_{MISO} \leq V_{DD}$	$I_{TRIMISO}$	-10	–	10	μA
SPI INPUT PINS (MOSI, SCLK, \overline{CS})					
Low-state Input Voltage	V_{IL}	-0.3	–	$0.3 \times V_{DD}$	V
High-state Input Voltage	V_{IH}	$0.7 \times V_{DD}$	–	$V_{DD} + 0.3$	V
MOSI, SCLK Input Current $0V \leq V_{IN} \leq V_{DD}$	I_{IN}	-10	–	10	μA
\overline{CS} Pull-up Current $0V < V_{IN} < 3.5V$	$I_{PU\overline{CS}}$	10	20	30	μA
INTERRUPT OUTPUT PIN (IRQ)					
Low-state Output Voltage $I_{OUT} = 1.5mA$	V_{OL}	0.0	–	0.8	V
High-state Output Voltage $I_{OUT} = -250\mu A$	V_{OH}	$V_{DD} - 0.8$	–	V_{DD}	V
Leakage Current $V_{DD} \leq V_{OUT} \leq 10V$	V_{OH}	–	–	2.0	mA
PULSE WIDTH MODULATION INPUT PIN (PWMIN)					
Low-state Input Voltage	V_{IL}	-0.3	–	$0.3 \times V_{DD}$	V
High-state Input Voltage	V_{IH}	$0.7 \times V_{DD}$	–	$V_{DD} + 0.3$	V
Pull-up current $0V < V_{IN} < 3.5V$	$I_{PUPWMIN}$	10	20	30	μA

Table 3. Static Electrical Characteristics (continued)

Characteristics noted under conditions $5.5V \leq V_{SUP} \leq 18V$, $-40^{\circ}C \leq T_A \leq 125^{\circ}C$ for the 33912 and $-40^{\circ}C \leq T_A \leq 85^{\circ}C$ for the 34912, unless otherwise noted. Typical values noted reflect the approximate parameter mean at $T_A = 25^{\circ}C$ under nominal conditions, unless otherwise noted.

Characteristic	Symbol	Min	Typ	Max	Unit
HIGH SIDE OUTPUTS HS1 AND HS2 PINS (HS1, HS2)					
Output Drain-to-Source On Resistance $T_J = 25^{\circ}C, I_{LOAD} = 50mA; V_{SUP} > 9.0V$ $T_J = 150^{\circ}C, I_{LOAD} = 50mA; V_{SUP} > 9.0V^{(26)}$ $T_J = 150^{\circ}C, I_{LOAD} = 30mA; 5.5V < V_{SUP} < 9.0V^{(26)}$	$R_{DS(ON)}$	–	–	7.0 10 14	Ω
Output Current Limitation ⁽²⁷⁾ $0V < V_{OUT} < V_{SUP} - 2.0V$	I_{LIMHSX}	60	120	250	mA
Open Load Current Detection ⁽²⁸⁾	I_{OLHSX}	–	5.0	7.5	mA
Leakage Current $-0.2V < V_{HSX} < V_{S2} + 0.2V$	I_{LEAK}	–	–	10	μA
Short-circuit Detection Threshold ⁽²⁹⁾ $5.5V < V_{SUP} < 27V$	V_{THSC}	$V_{SUP} - 2.0$	–	–	V
Over-temperature Shutdown ^{(30), (35)}	T_{HSSD}	150	165	180	$^{\circ}C$
Over-temperature Shutdown Hysteresis ⁽³⁵⁾	T_{HSSD_HYS}	–	10	–	$^{\circ}C$
LOW SIDE OUTPUTS LS1 AND LS2 PINS (LS1, LS2)					
Output Drain-to-Source On Resistance $T_J = 25^{\circ}C, I_{LOAD} = 150mA, V_{SUP} > 9.0V$ $T_J = 125^{\circ}C, I_{LOAD} = 150mA, V_{SUP} > 9.0V$ $T_J = 125^{\circ}C, I_{LOAD} = 120mA, 5.5V < V_{SUP} < 9.0V$	$R_{DS(ON)}$	–	–	2.5 4.5 10	Ω
Output Current Limitation ⁽³¹⁾ $2.0V < V_{OUT} < V_{SUP}$	I_{LIMLSX}	160	275	350	mA
Open Load Current Detection ⁽³²⁾	I_{OLLSX}	–	8.0	12	mA
Leakage Current $-0.2V < V_{OUT} < V_{S1}$	I_{LEAK}	–	–	10	μA
Active Output Energy Clamp $I_{OUT} = 150mA$	V_{CLAMP}	$V_{SUP} + 2.0$	–	$V_{SUP} + 5.0$	V
Short-circuit Detection Threshold ⁽³³⁾ $5.5V < V_{SUP} < 27V$	V_{THSC}	2.0	–	–	V
Over-temperature Shutdown ^{(34), (35)}	T_{LSSD}	150	165	180	$^{\circ}C$
Over-temperature Shutdown Hysteresis ⁽³⁵⁾	T_{LSSD_HYS}	–	10	–	$^{\circ}C$

Notes

26. This parameter is production tested up to $T_A = 125^{\circ}C$ and guaranteed by process monitoring up to $T_J = 150^{\circ}C$.
27. When over-current occurs, the corresponding high side stays ON with limited current capability and the HSxCL flag is set in the HSSR.
28. When open load occurs, the flag (HSxOP) is set in the HSSR.
29. When short-circuit occurs and if HVSE flag is enabled, both HS automatic shutdown.
30. When over-temperature shutdown occurs, both high sides are turned off. All flags in HSSR are set.
31. When over-current occurs, the corresponding low side stays ON with limited current capability and the LSxCL flag is set in the LSSR.
32. When open load occurs, the flag (LSxOP) is set in the LSSR.
33. When short-circuit occurs and if HVSE Flag is enabled, both LS automatic shutdown
34. When over-temperature shutdown occurs, both low sides are turned off. All flags in LSSR are set.
35. Guaranteed by characterization but not production tested

Table 3. Static Electrical Characteristics (continued)

Characteristics noted under conditions $5.5V \leq V_{SUP} \leq 18V$, $-40^{\circ}C \leq T_A \leq 125^{\circ}C$ for the 33912 and $-40^{\circ}C \leq T_A \leq 85^{\circ}C$ for the 34912, unless otherwise noted. Typical values noted reflect the approximate parameter mean at $T_A = 25^{\circ}C$ under nominal conditions, unless otherwise noted.

Characteristic	Symbol	Min	Typ	Max	Unit
L1, L2, L3 AND L4 INPUT PINS (L1, L2, L3, L4)					
Low Detection Threshold $5.5V < V_{SUP} < 27V$	V_{THL}	2.0	2.5	3.0	V
High Detection Threshold $5.5V < V_{SUP} < 27V$	V_{THH}	3.0	3.5	4.0	V
Hysteresis $5.5V < V_{SUP} < 27V$	V_{HYS}	0.5	1.0	1.5	V
Input Current ⁽³⁶⁾ $-0.2V < V_{IN} < VS1$	I_{IN}	-10	-	10	μA
Analog Input Impedance ⁽³⁷⁾	R_{LXIN}	800	1550	-	$k\Omega$
Analog Input Divider Ratio ($RATIO_{Lx} = V_{Lx} / V_{ADOUT0}$) LXDS (Lx Divider Select) = 0 LXDS (Lx Divider Select) = 1	$RATIO_{Lx}$	0.95 3.42	1.0 3.6	1.05 3.78	
Analog Output offset Ratio LXDS (Lx Divider Select) = 0 LXDS (Lx Divider Select) = 1	$V_{RATIO_{Lx}-OFFSET}$	-80 -22	0.0 0.0	80 22	mV
Analog Inputs Matching LXDS (Lx Divider Select) = 0 LXDS (Lx Divider Select) = 1	$LX_{MATCHING}$	96 96	100 100	104 104	%

WINDOW WATCHDOG CONFIGURATION PIN (WDCONF)

External Resistor Range	R_{EXT}	20	-	200	$k\Omega$
Watchdog Period Accuracy with External Resistor (Excluding Resistor Accuracy) ⁽³⁸⁾	WD_{ACC}	-15	-	15	%

ANALOG MULTIPLEXER

Internal Chip Temperature Sense Gain	S_{TTOV}	-	10.5	-	mV/K
VSENSE Input Divider Ratio ($RATIO_{VSENSE} = V_{VSENSE} / V_{ADOUT0}$) $5.5V < V_{SUP} < 27V$	$RATIO_{VSENSE}$	5.0	5.25	5.5	
VSENSE Output Related Offset $-40^{\circ}C < T_A < -20^{\circ}C$	$OFFSET_{VSENSE}$	-30 -45	- -	30 45	mV

ANALOG OUTPUTS (ADOUT0 AND ADOUT1)

Maximum Output Voltage $-5mA < I_O < 5mA$	V_{OUT_MAX}	$V_{DD}-0.35$	-	V_{DD}	V
Minimum Output Voltage $-5mA < I_O < 5mA$	V_{OUT_MIN}	0.0	-	0.35	V

Notes

36. Analog multiplexer input disconnected from Lx input pin.
37. Analog multiplexer input connected to Lx input pin.
38. Watchdog timing period calculation formula: $t_{PWD} [ms] = 0.466 * (R_{EXT} - 20) + 10$ (R_{EXT} in $k\Omega$)

Table 3. Static Electrical Characteristics (continued)

Characteristics noted under conditions $5.5V \leq V_{SUP} \leq 18V$, $-40^{\circ}C \leq T_A \leq 125^{\circ}C$ for the 33912 and $-40^{\circ}C \leq T_A \leq 85^{\circ}C$ for the 34912, unless otherwise noted. Typical values noted reflect the approximate parameter mean at $T_A = 25^{\circ}C$ under nominal conditions, unless otherwise noted.

Characteristic	Symbol	Min	Typ	Max	Unit
CURRENT SENSE AMPLIFIER (ISENSEH, ISENSEL)					
Gain CSGS (Current Sense Gain Select) = 0 CSGS (Current Sense Gain Select) = 1	G	29 14	30 14.5	31 15	
Differential Input Impedance CSGS (Current Sense Gain Select) = 0 CSGS (Current Sense Gain Select) = 1	DIFF	2.0 5.0	10 20	30 50	k Ω
Common Mode Input Impedance CSGS (Current Sense Gain Select) = 0 CSGS (Current Sense Gain Select) = 1	CM	75 75	– –	300 300	k Ω
ISENSEH, ISENSEL Input Voltage Range	V_{IN}	-0.2	–	3.0	V
Input Offset Voltage CSAZ (Current Sense Auto Zero) = 0 CSAZ (Current Sense Auto Zero) = 1	V_{IN_OFFSET}	-15 -2.0	– –	15 2.0	mV
RXD OUTPUT PIN (LIN PHYSICAL LAYER) (RXD)					
Low-state Output Voltage $I_{OUT} = 1.5mA$	V_{OL}	0.0	–	0.8	V
High-state Output Voltage $I_{OUT} = -250\mu A$	V_{OH}	$V_{DD} - 0.8$	–	V_{DD}	V
TXD INPUT PIN (LIN PHYSICAL LAYER) (TXD)					
Low-state Input Voltage	V_{IL}	-0.3	–	$0.3 \times V_{DD}$	V
High-state Input Voltage	V_{IH}	$0.7 \times V_{DD}$	–	$V_{DD} + 0.3$	V
Pin Pull-up Current, $0V < V_{IN} < 3.5V$	I_{PUIN}	10	20	30	μA

Table 3. Static Electrical Characteristics (continued)

Characteristics noted under conditions $5.5V \leq V_{SUP} \leq 18V$, $-40^{\circ}C \leq T_A \leq 125^{\circ}C$ for the 33912 and $-40^{\circ}C \leq T_A \leq 85^{\circ}C$ for the 34912, unless otherwise noted. Typical values noted reflect the approximate parameter mean at $T_A = 25^{\circ}C$ under nominal conditions, unless otherwise noted.

Characteristic	Symbol	Min	Typ	Max	Unit
LIN PHYSICAL LAYER, TRANSCEIVER (LIN)⁽³⁹⁾					
Output Current Limitation Dominant State, $V_{BUS} = 18V$	I_{BUSLIM}	40	120	200	mA
Leakage Output Current to GND Dominant State; $V_{BUS} = 0V$; $V_{BAT} = 12V$	$I_{BUS_PAS_dom}$	-1.0	-	-	mA
Recessive State; $8V < V_{BAT} < 18V$; $8V < V_{BUS} < 18V$; $V_{BUS} \geq V_{BAT}$	$I_{BUS_PAS_REC}$	-	-	20	μA
GND Disconnected; $GND_{DEVICE} = V_{SUP}$; $V_{BAT} = 12V$; $0 < V_{BUS} < 18V$	$I_{BUS_NO_GND}$	-1.0	-	1.0	mA
V_{BAT} Disconnected; $V_{SUP_DEVICE} = GND$; $0 < V_{BUS} < 18V$	I_{BUS}	-	-	100	μA
Receiver Input Voltages Receiver Dominant State	V_{BUSDOM}	-	-	0.4	V_{SUP}
Receiver Recessive State	V_{BUSREC}	0.6	-	-	
Receiver Threshold Center $(V_{TH_DOM} + V_{TH_REC})/2$	V_{BUS_CNT}	0.475	0.5	0.525	
Receiver Threshold Hysteresis $(V_{TH_REC} - V_{TH_DOM})$	V_{HYS}	-	-	0.175	
LIN Transceiver Output Voltage Recessive State, TXD HIGH, $I_{OUT} = 1.0\mu A$	V_{LIN_REC}	$V_{SUP} - 1.0$	-	-	V
Dominant State, TXD LOW, 500 Ω External Pull-up Resistor, LDVS = 0	$V_{LIN_DOM_0}$	-	1.1	1.4	
Dominant State, TXD LOW, 500 Ω External Pull-up Resistor, LDVS = 1	$V_{LIN_DOM_1}$	-	1.7	2	
LIN Pull-up Resistor to V_{SUP}	R_{SLAVE}	20	30	60	k Ω
Over-temperature Shutdown ⁽⁴⁰⁾	$T_{LINS D}$	150	165	180	$^{\circ}C$
Over-temperature Shutdown Hysteresis	$T_{LINS D_HYS}$	-	10	-	$^{\circ}C$

Notes

39. Parameters guaranteed for $7.0V \leq V_{SUP} \leq 18V$.

40. When over-temperature shutdown occurs, the LIN bus goes in recessive state and the flag LINOT in LINSR is set.

DYNAMIC ELECTRICAL CHARACTERISTICS

Table 4. Dynamic Electrical Characteristics

Characteristics noted under conditions $5.5V \leq V_{SUP} \leq 18V$, $-40^{\circ}C \leq T_A \leq 125^{\circ}C$ for the 33912 and $-40^{\circ}C \leq T_A \leq 85^{\circ}C$ for the 34912, unless otherwise noted. Typical values noted reflect the approximate parameter mean at $T_A = 25^{\circ}C$ under nominal conditions, unless otherwise noted.

Characteristic	Symbol	Min	Typ	Max	Unit
SPI INTERFACE TIMING (SEE Figure 13, PAGE 20)					
SPI Operating Frequency	$f_{SPIO P}$	–	–	4.0	MHz
SCLK Clock Period	$t_{P SCLK}$	250	–	N/A	ns
SCLK Clock High Time ⁽⁴¹⁾	$t_{W SCLKH}$	110	–	N/A	ns
SCLK Clock Low Time ⁽⁴¹⁾	$t_{W SCLKL}$	110	–	N/A	ns
Falling Edge of \overline{CS} to Rising Edge of SCLK ⁽⁴¹⁾	t_{LEAD}	100	–	N/A	ns
Falling Edge of SCLK to \overline{CS} Rising Edge ⁽⁴¹⁾	t_{LAG}	100	–	N/A	ns
MOSI to Falling Edge of SCLK ⁽⁴¹⁾	t_{SISU}	40	–	N/A	ns
Falling Edge of SCLK to MOSI ⁽⁴¹⁾	t_{SIH}	40	–	N/A	ns
MISO Rise Time ⁽⁴¹⁾ $C_L = 220pF$	t_{RSO}	–	40	–	ns
MISO Fall Time ⁽⁴¹⁾ $C_L = 220pF$	t_{FSO}	–	40	–	ns
Time from Falling or Rising Edges of \overline{CS} to: ⁽⁴¹⁾ - MISO Low-impedance - MISO High-impedance	t_{SOEN} t_{SODIS}	0.0 0.0	– –	50 50	ns
Time from Rising Edge of SCLK to MISO Data Valid ⁽⁴¹⁾ $0.2 \times V_{DD} \leq MISO \leq 0.8 \times V_{DD}$, $C_L = 100pF$	t_{VALID}	0.0	–	75	ns
RST OUTPUT PIN					
Reset Low-level Duration After V_{DD} High (see Figure 12, page 20)	t_{RST}	0.65	1.0	1.35	ms
Reset Deglitch Filter Time	t_{RSTDF}	350	600	900	ns
WINDOW WATCHDOG CONFIGURATION PIN (WDCONF)					
Watchdog Time Period ⁽⁴²⁾ External Resistor $R_{EXT} = 20k\Omega$ (1%) External Resistor $R_{EXT} = 200k\Omega$ (1%) Without External Resistor R_{EXT} (WDCONF Pin Open)	t_{PWD}	8.5 79 110	10 94 150	11.5 108 205	ms
CURRENT SENSE AMPLIFIER⁽⁴¹⁾					
Common Mode Rejection Ratio	CMR	70	–	–	dB
Supply Voltage Rejection Ratio ⁽⁴³⁾	SVR	60	–	–	dB
Gain Bandwidth Product	GBP	0.75	3.0	–	MHz
Output Slew-Rate	SR	0.5	–	–	V/ μ s

Notes

41. This parameter is guaranteed by process monitoring but not production tested.
42. Watchdog timing period calculation formula: $t_{PWD} [ms] = 0.466 * (R_{EXT} - 20) + 10$ (R_{EXT} in $k\Omega$)
43. Analog Outputs are supplied by V_{DD}

Table 4. Dynamic Electrical Characteristics (continued)

Characteristics noted under conditions $5.5V \leq V_{SUP} \leq 18V$, $-40^{\circ}C \leq T_A \leq 125^{\circ}C$ for the 33912 and $-40^{\circ}C \leq T_A \leq 85^{\circ}C$ for the 34912, unless otherwise noted. Typical values noted reflect the approximate parameter mean at $T_A = 25^{\circ}C$ under nominal conditions, unless otherwise noted.

Characteristic	Symbol	Min	Typ	Max	Unit
L1, L2, L3 AND L4 INPUTS					
Wake-up Filter Time	t_{WUF}	8.0	20	38	μs

STATE MACHINE TIMING

Delay Between \overline{CS} LOW-to-HIGH Transition (at End of SPI Stop Command) and Stop Mode Activation ⁽⁴⁴⁾	t_{STOP}	—	—	5.0	μs
Normal Request Mode Timeout (see Figure 12 , page 20)	t_{NRTOUT}	110	150	205	ms
Delay Between SPI Command and HS/LS Turn On ⁽⁴⁵⁾ $9V < V_{SUP} < 27V$	t_{S-ON}	—	—	10	μs
Delay Between SPI Command and HS/LS Turn Off ⁽⁴⁵⁾ $9V < V_{SUP} < 27V$	t_{S-OFF}	—	—	10	μs
Delay Between Normal Request and Normal Mode After a Watchdog Trigger Command (Normal Request Mode) ⁽⁴⁴⁾	t_{SNR2N}	—	—	10	μs
Delay Between \overline{CS} Wake-Up (\overline{CS} LOW to HIGH) in Stop Mode and: Normal Request Mode, VDD ON and \overline{RST} HIGH First Accepted SPI Command	$t_{WU\overline{CS}}$ t_{WUSPI}	9.0 90	15 —	80 N/A	μs
Minimum Time Between Rising and Falling Edge on the \overline{CS}	$t_{2\overline{CS}}$	4.0	—	—	μs

LIN PHYSICAL LAYER: DRIVER CHARACTERISTICS FOR NORMAL SLEW RATE - 20.0KBIT/SEC^{(46), (47)}

Duty Cycle 1: $D1 = t_{BUS_REC(MIN)}/(2 \times t_{BIT})$, $t_{BIT} = 50\mu s$ $7.0V \leq V_{SUP} \leq 18V$	D1	0.396	—	—	
Duty Cycle 2: $D2 = t_{BUS_REC(MAX)}/(2 \times t_{BIT})$, $t_{BIT} = 50\mu s$ $7.6V \leq V_{SUP} \leq 18V$	D2	—	—	0.581	

LIN PHYSICAL LAYER: DRIVER CHARACTERISTICS FOR SLOW SLEW RATE - 10.4KBIT/SEC^{(46), (48)}

Duty Cycle 3: $D3 = t_{BUS_REC(MIN)}/(2 \times t_{BIT})$, $t_{BIT} = 96\mu s$ $7.0V \leq V_{SUP} \leq 18V$	D3	0.417	—	—	μs
Duty Cycle 4: $D4 = t_{BUS_REC(MAX)}/(2 \times t_{BIT})$, $t_{BIT} = 96\mu s$ $7.6V \leq V_{SUP} \leq 18V$	D4	—	—	0.590	μs

Notes

44. This parameter is guaranteed by process monitoring but not production tested.
45. Delay between turn on or off command (rising edge on \overline{CS}) and HS or LS ON or OFF, excluding rise or fall time due to external load.
46. Bus load R_{BUS} and C_{BUS} 1.0nF / 1.0 k Ω , 6.8 nF / 660 Ω , 10nF / 500 Ω . Measurement thresholds: 50% of TXD signal to LIN signal threshold defined at each parameter. See [Figure 6](#), page 18.
47. See [Figure 7](#), page 18.
48. See [Figure 8](#), page 18.

Table 4. Dynamic Electrical Characteristics (continued)

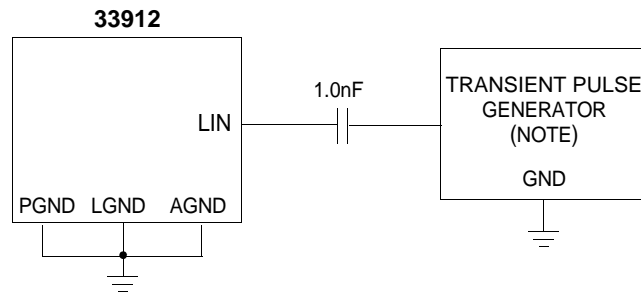
Characteristics noted under conditions $5.5V \leq V_{SUP} \leq 18V$, $-40^{\circ}C \leq T_A \leq 125^{\circ}C$ for the 33912 and $-40^{\circ}C \leq T_A \leq 85^{\circ}C$ for the 34912, unless otherwise noted. Typical values noted reflect the approximate parameter mean at $T_A = 25^{\circ}C$ under nominal conditions, unless otherwise noted.

Characteristic	Symbol	Min	Typ	Max	Unit
LIN PHYSICAL LAYER: DRIVER CHARACTERISTICS FOR FAST SLEW RATE					
LIN Fast Slew Rate (Programming Mode)	SR _{FAST}	—	20	—	V/ μ s
LIN PHYSICAL LAYER: CHARACTERISTICS AND WAKE-UP TIMINGS⁽⁴⁹⁾					
Propagation Delay and Symmetry ⁽⁵⁰⁾					μ s
Propagation Delay Receiver, $t_{REC_PD} = \text{MAX}(t_{REC_PDR}, t_{REC_PDF})$	t_{REC_PD}	—	3.0	6.0	
Symmetry of Receiver Propagation Delay $t_{REC_PDF} - t_{REC_PDR}$	t_{REC_SYM}	-2.0	—	2.0	
Bus Wake-Up Deglitcher (Sleep and Stop Modes) ⁽⁵¹⁾	t_{PROPWL}	42	70	95	μ s
Bus Wake-Up Event Reported					μ s
From Sleep Mode ⁽⁵²⁾	t_{WAKE}	—	—	1500	
From Stop Mode ⁽⁵³⁾	t_{WAKE}	9.0	13	17	
TXD Permanent Dominant State Delay	t_{TXDDOM}	0.65	1.0	1.35	s
PULSE WIDTH MODULATION INPUT PIN (PWMIN)					
PWMIN pin ⁽⁵⁴⁾	f_{PWMIN}				kHz
Max. frequency to drive HS and LS output pins			10		

Notes

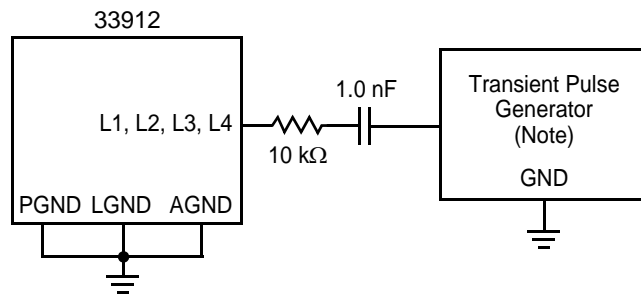
49. V_{SUP} from 7.0V to 18V, bus load R_{BUS} and C_{BUS} 1.0nF / 1.0k Ω , 6.8nF / 660 Ω , 10nF / 500 Ω . Measurement thresholds: 50% of TXD signal to LIN signal threshold defined at each parameter. See [Figure 6](#), page 18.
50. See [Figure 9](#), page 19
51. See [Figure 10](#), page 19 for Sleep and [Figure 11](#), page 19 for Stop Mode.
52. The measurement is done with 1 μ F capacitor and 0mA current load on V_{DD} . The value takes into account the delay to charge the capacitor. The delay is measured between the bus wake-up threshold (V_{BUSWU}) rising edge of the LIN bus and when V_{DD} reaches 3.0V. See [Figure 10](#), page 19. The delay depends of the load and capacitor on V_{DD} .
53. In Stop Mode, the delay is measured between the bus wake-up threshold (V_{BUSWU}) and the falling edge of the \overline{IRQ} pin. See [Figure 11](#), page 19.
54. This parameter is guaranteed by process monitoring but not production tested.

TIMING DIAGRAMS



Note Waveform per ISO 7637-2. Test Pulses 1, 2, 3a, 3b.

Figure 4. Test Circuit for Transient Test Pulses (LIN)



Note Waveform per ISO 7637-2. Test Pulses 1, 2, 3a, 3b,.

Figure 5. Test Circuit for Transient Test Pulses (Lx)

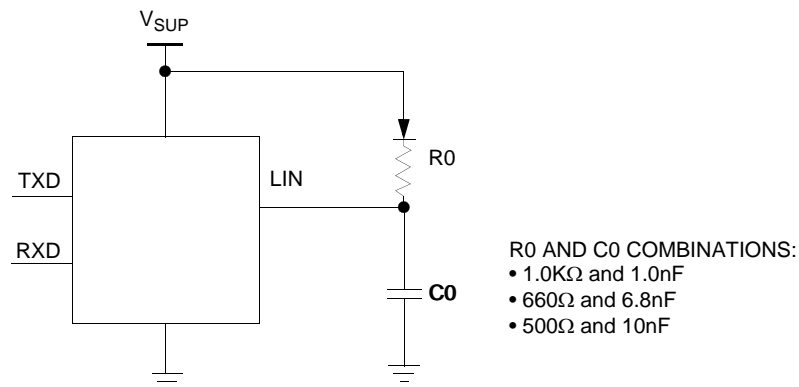


Figure 6. Test Circuit for LIN Timing Measurements

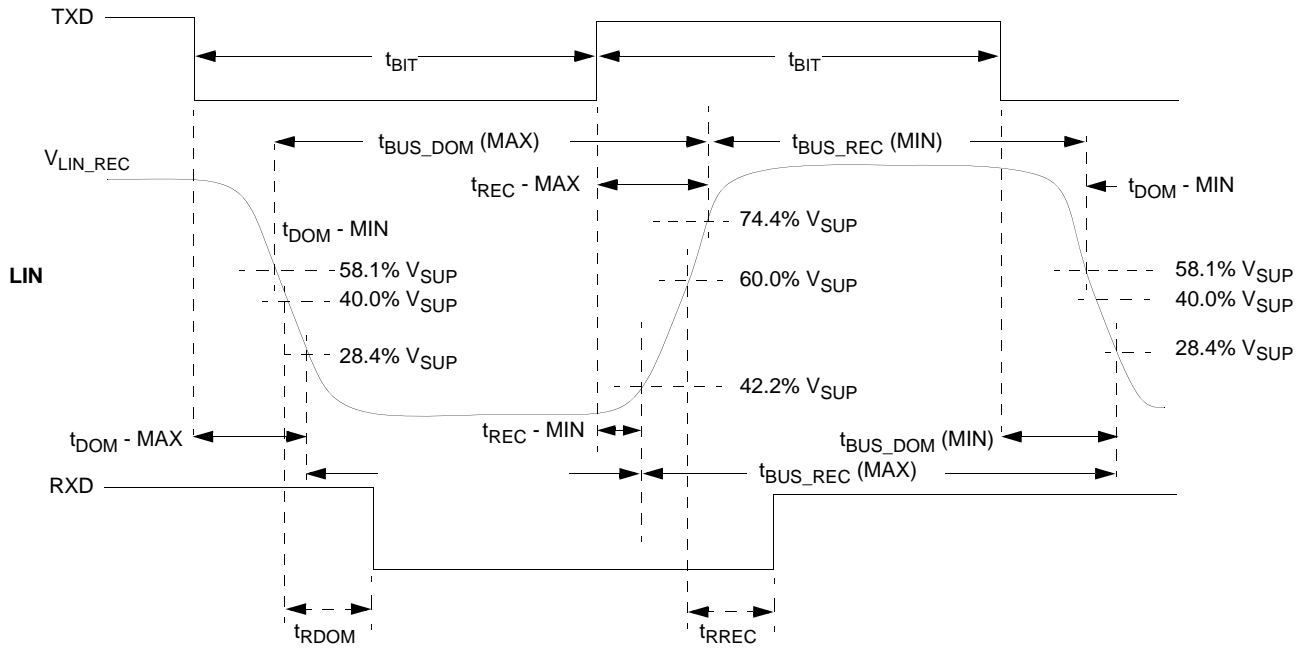


Figure 7. LIN Timing Measurements for Normal Slew Rate

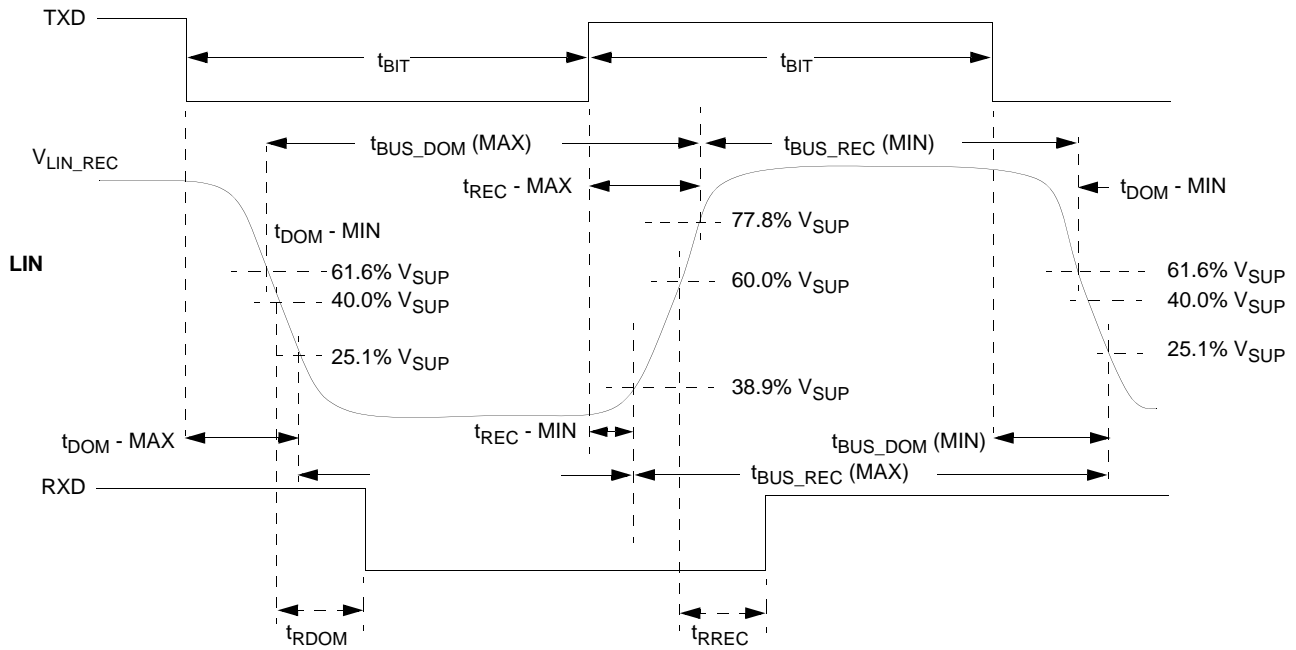


Figure 8. LIN Timing Measurements for Slow Slew Rate

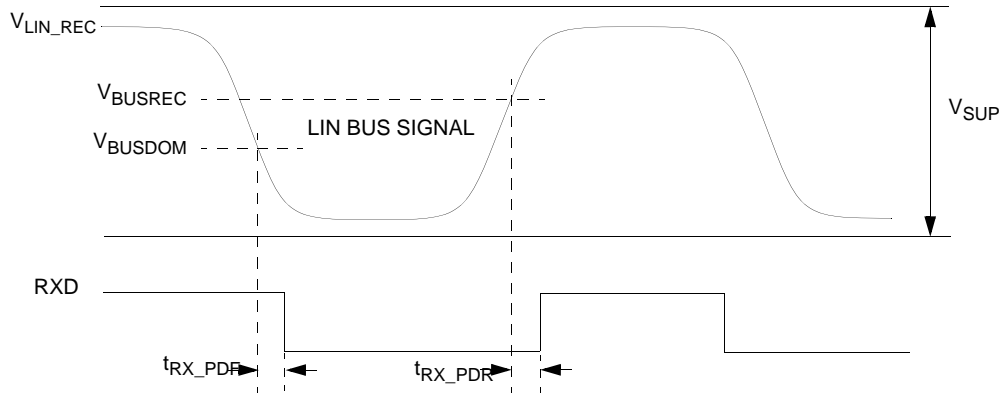


Figure 9. LIN Receiver Timing

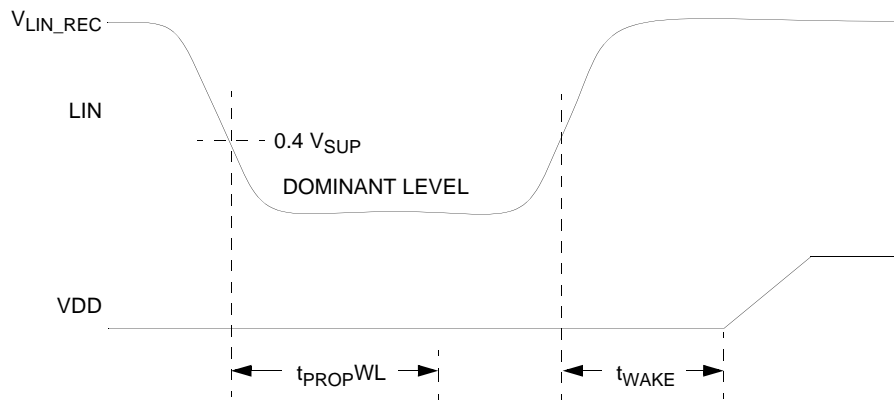


Figure 10. LIN Wake-Up Sleep Mode Timing

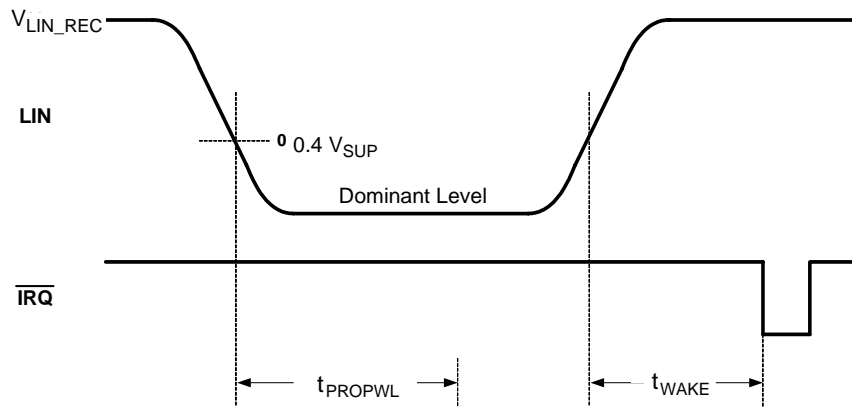


Figure 11. LIN Wake-up Stop Mode Timing

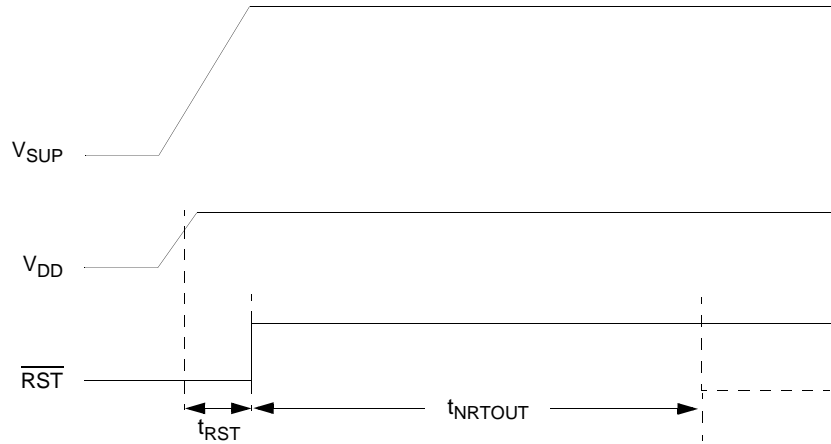


Figure 12. Power On Reset and Normal Request Timeout Timing

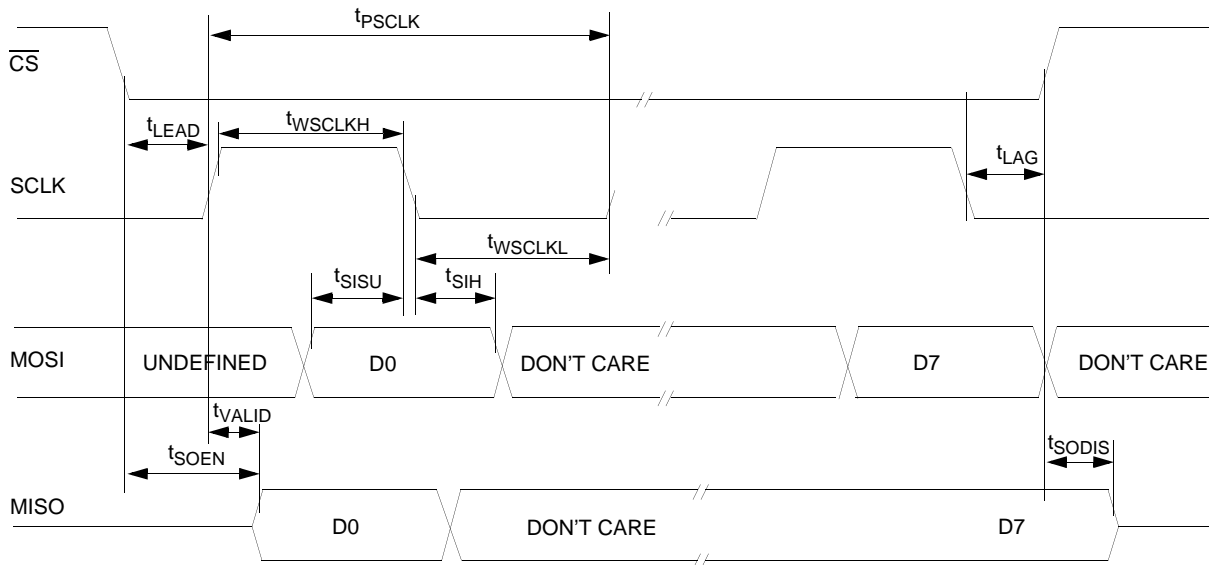


Figure 13. SPI Timing Characteristics

FUNCTIONAL DESCRIPTION

INTRODUCTION

The 33912 was designed and developed as a highly integrated and cost-effective solution for automotive and industrial applications. For automotive body electronics, the 33912 is well suited to perform relay control in applications like window lift, sunroof, etc. via LIN bus.

Power switches are provided on the device configured as high side and low side outputs. Other ports are also provided,

which include a current and voltage sense port, a Hall Sensor port supply, and four wake-up capable pins. An internal voltage regulator provides power to a MCU device.

Also included in this device is a LIN physical layer, which communicates using a single wire. This enables this device to be compatible with 3-wire bus systems, where one wire is used for communication, one for battery, and one for ground.

FUNCTIONAL PIN DESCRIPTION

See [Figure 1, 33912 Simplified Application Diagram](#), page 1, for a graphic representation of the various pins referred to in the following paragraphs. Also, see the pin diagram on page 3 for a description of the pin locations in the package.

RECEIVER OUTPUT PIN (RXD)

The RXD pin is a digital output. It is the receiver output of the LIN interface and reports the state of the bus voltage: RXD Low when LIN bus is dominant, RXD High when LIN bus is recessive.

TRANSMITTER INPUT PIN (TXD)

The TXD pin is a digital input. It is the transmitter input of the LIN interface and controls the state of the bus output (dominant when TXD is Low, recessive when TXD is High).

This pin has an internal pull-up to force recessive state in case the input is left floating.

LIN BUS PIN (LIN)

The LIN pin represents the single-wire bus transmitter and receiver. It is suited for automotive bus systems and is compliant to the LIN bus specification 2.0.

The LIN interface is only active during Normal and Normal Request Modes.

SERIAL DATA CLOCK PIN (SCLK)

The SCLK pin is the SPI clock input pin. MISO data changes on the negative transition of the SCLK. MOSI is sampled on the positive edge of the SCLK.

MASTER OUT SLAVE IN PIN (MOSI)

The MOSI digital pin receives SPI data from the MCU. This data input is sampled on the positive edge of SCLK.

MASTER IN SLAVE OUT PIN (MISO)

The MISO pin sends data to an SPI-enabled MCU. It is a digital tri-state output used to shift serial data to the microcontroller. Data on this output pin changes on the negative edge of the SCLK. When CS is High, this pin will remain in high-impedance state.

CHIP SELECT PIN (\overline{CS})

\overline{CS} is an active low digital input. It must remain low during a valid SPI communication and allow for several devices to be connected in the same SPI bus without contention. A rising edge on \overline{CS} signals the end of the transmission and the moment the data shifted in is latched. A valid transmission must consist of 8 bits only.

While in STOP Mode, a low-to-high level transition on this pin will generate a wake-up condition for the 33912.

ANALOG MULTIPLEXER PIN (ADOUT0)

The ADOUT0 pin can be configured via the SPI to allow the MCU A/D converter to read the several inputs of the Analog Multiplexer, including the VSENSE, L1, L2, L3, L4 input voltages, and the internal junction temperature.

CURRENT SENSE AMPLIFIER PIN (ADOUT1)

The ADOUT1 pin is an analog interface to the MCU A/D converter. It allows the MCU to read the output of the current sense amplifier.

PWM INPUT CONTROL PIN (PWMIN)

This digital input can control the high sides and low sides drivers in Normal Request- and Normal Mode.

To enable PWM control, the MCU must perform a write operation to the High Side Control Register (HSCR) or the Low Side Control Register (LSCR).

This pin has an internal 20 μ A current pull-up.

RESET PIN ($\overline{\text{RST}}$)

This bidirectional pin is used to reset the MCU in case the 33912 detects a reset condition, or to inform the 33912 that the MCU has just been reset. After release of the $\overline{\text{RST}}$ pin, Normal Request Mode is entered.

The $\overline{\text{RST}}$ pin is an active low filtered input and output formed by a weak pull-up and a switchable pull-down structure which allows this pin to be shorted either to V_{DD} or to GND during software development, without the risk of destroying the driver.

INTERRUPT PIN ($\overline{\text{IRQ}}$)

The $\overline{\text{IRQ}}$ pin is a digital output used to signal events or faults to the MCU while in Normal and Normal Request Mode or to signal a wake-up from Stop Mode. This active low output will transition to high only after the interrupt is acknowledged by a SPI read of the respective status bits.

WATCHDOG CONFIGURATION PIN (WDCONF)

The WDCONF pin is the configuration pin for the internal watchdog. A resistor can be connected to this pin to configure the window watchdog period. When connected directly to ground, the watchdog will be disabled. When this pin is left open, the watchdog period is fixed to its lower precision internal default value (150ms typical).

GROUND CONNECTION PINS (AGND, PGND, LGND)

The AGND, PGND and LGND pins are the Analog and Power ground pins.

The AGND pin is the ground reference of the voltage regulator and the current sense module.

The PGND and LGND pins are used for high current load return as in the relay-drivers and LIN interface pin.

Note: PGND, AGND and LGND pins must be connected together.

CURRENT SENSE AMPLIFIER INPUT PINS (ISENSEH AND ISENSEL)

The ISENSEH and ISENSEL pins are the input pins of a ground compatible differential amplifier designed to be used to sense the voltage drop over a shunt resistor. The main purpose of this amplifier is to implement accurate current sensors. The gain of the differential amplifier can be set by SPI.

LOW SIDE PINS (LS1 AND LS2)

LS1 and LS2 are the low side driver outputs. Those outputs are short-circuit protected and include active clamp circuitry to drive inductive loads. Due to the energy clamp

voltage on this pin, it can raise above the battery level when switched off. The switches are controlled through the SPI and can be configured to respond to a signal applied to the PWMIN input pin.

Both low side switches are protected against overheating.

DIGITAL/ANALOG PINS (L1, L2, L3 AND L4)

The Lx pins are multi purpose inputs. They can be used as digital inputs, which can be sampled by reading the SPI and used for wake-up when 33912 is in low power mode or used as analog inputs for the analog multiplexer. When used to sense voltage outside the module, a 33kohms series resistor must be used on each input.

When used as wake-up inputs L1-L4 can be configured to operate in cyclic-sense mode. In this mode one of the high side switches is configured to be periodically turned on and sample the wake-up inputs. If a state change is detected between two cycles a wake-up is initiated. The 33912 can also wake-up from Stop or Sleep by a simple state change on L1-L4.

When used as analog inputs, the voltage present on the Lx pins is scaled down by an selectable internal voltage divider and can be routed to the ADOUT0 output through the analog multiplexer.

Note: If an Lx input is selected in the analog multiplexer, it will be disabled as a digital input and remains disabled in low power mode. No wake-up feature is available in that condition.

When an Lx input is not selected in the analog multiplexer, the voltage divider is disconnected from that input.

HIGH SIDE OUTPUT PINS (HS1 AND HS2)

These two high side switches are able to drive loads such as relays or lamps. Their structures are connected to the VS2 supply pin. The pins are short-circuit protected and both outputs are also protected against overheating.

HS1 and HS2 are controlled by SPI and can respond to a signal applied to the PWMIN input pin.

HS1 and HS2 outputs can also be used during low-power mode for the cyclic-sense of the wake inputs.

POWER SUPPLY PINS (VS1 AND VS2)

Those are the battery level voltage supply pins. In an application, VS1 and VS2 pins must be protected against reverse battery connection and negative transient voltages with external components. These pins sustain standard automotive voltage conditions such as a load dump at 40V.

The high side switches (HS1 and HS2) are supplied by the VS2 pin. All other internal blocks are supplied by VS1 pin.

VOLTAGE SENSE PIN (VSENSE)

This input can be connected directly to the battery line. It is protected against battery reverse connection. The voltage present in this input is scaled down by an internal voltage divider, and can be routed to the ADOUT0 output pin and used by the MCU to read the battery voltage.

The ESD structure on this pin allows for excursion up to +40V and down to -27V, allowing this pin to be connected directly to the battery line. It is strongly recommended to connect a 10kohm resistor in series with this pin for protection purposes.

HALL SENSOR SWITCHABLE SUPPLY PIN (HVDD)

This pin provides a switchable supply for external hall sensors. While in Normal Mode, this current limited output can be controlled through the SPI.

The HVDD pin needs to be connected to an external capacitor to stabilize the regulated output voltage.

+5V MAIN REGULATOR OUTPUT PIN (VDD)

An external capacitor has to be placed on the VDD pin to stabilize the regulated output voltage. The VDD pin is intended to supply a microcontroller. The pin is current limited against shorts to GND and over-temperature protected.

During Stop Mode, the voltage regulator does not operate with its full drive capabilities and the output current is limited.

During Sleep Mode, the regulator output is completely shut down.

FUNCTIONAL INTERNAL BLOCK DESCRIPTION

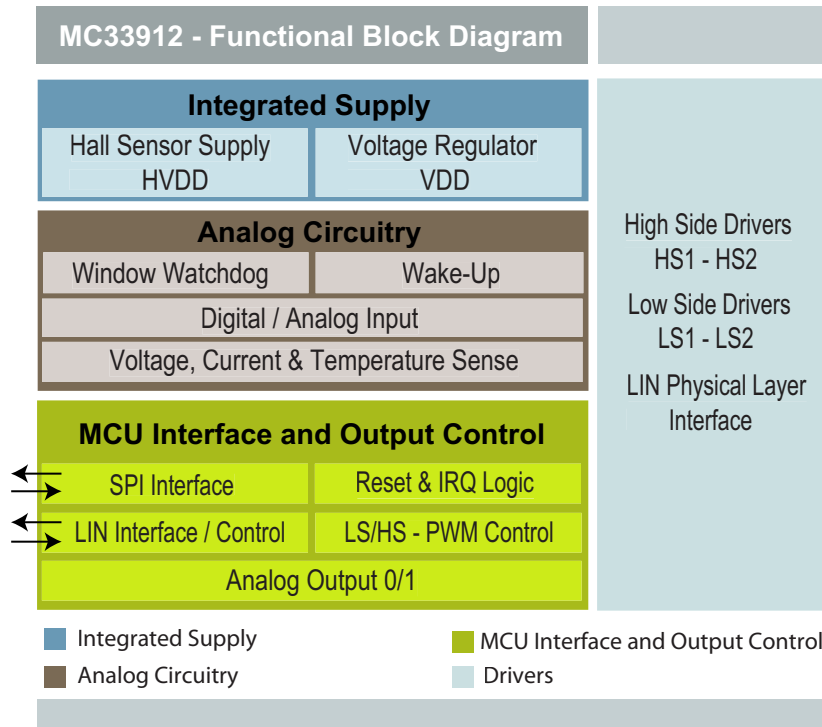


Figure 14. Functional Internal Block Diagram

ANALOG CIRCUITRY

The 33912 is designed to operate under automotive operating conditions. A fully configurable window watchdog circuit will reset the connected MCU in case of an overflow. Two low power modes are available with several different wake-up sources to reactivate the device. Four analog / digital inputs can be sensed or used as the wake-up source. The device is capable of sensing the supply voltage (VSENSE), the internal chip temperature (CTEMP) as well as the motor current using an external sense resistor.

HIGH SIDE DRIVERS

Two current and temperature protected High Side drivers with PWM capability are provided to drive small loads such as Status LED's or small lamps. Both Drivers can be configured for periodic sense during low power modes.

LOW SIDE DRIVERS

Two current and temperature protected Low Side drivers with PWM capability are provided to drive H-Bridge type relays for power motor applications

MCU INTERFACE

The 33912 is providing its control and status information through a standard 8-Bit SPI interface. Critical system events such as Low- or High-voltage/Temperature conditions as well as over-current conditions in any of the driver stages can be reported to the connected MCU via IRQ or RST. Both Low Side and both High Side driver outputs can be controlled via the SPI register as well as the PWMIN input. The integrated LIN physical layer interface can be configured via SPI register and its communication is driven through the RXD and TXD device pins. All internal analog sources are multiplexed to the A_{DOUT} 0 pin. The current sense analog signal is directly routed through A_{DOUT}1.

VOLTAGE REGULATOR OUTPUTS

Two independent voltage regulators are implemented on the 33912. The VDD main regulator output is designed to supply a MCU with a precise 5V. The switchable HVDD output is dedicated to supply small peripherals as hall sensors.

LIN PHYSICAL LAYER INTERFACE

The 33912 provides a LIN 2.0 compatible LIN physical layer interface with selectable slew rate and various diagnostic features.

FUNCTIONAL DEVICE OPERATIONS

OPERATIONAL MODES

Introduction

The 33912 offers three main operating modes: Normal (Run), Stop, and Sleep (Low Power). In Normal Mode, the device is active and is operating under normal application conditions. The Stop and Sleep Modes are low-power modes with wake-up capabilities.

In Stop Mode, the voltage regulator still supplies the MCU with V_{DD} (limited current capability), while in Sleep Mode the voltage regulator is turned off ($V_{DD} = 0$ V).

Wake-up from Stop Mode is initiated by a wake-up interrupt. Wake-up from Sleep Mode is done by a reset and the voltage regulator is turned back on.

The selection of the different modes is controlled by the MOD1:2 bits in the Mode Control Register (MCR).

[Figure 15](#) describes how transitions are done between the different operating modes. [Table 5, 27](#), gives an overview of the operating modes.

RESET MODE

The 33912 enters the Reset Mode after a power up. In this mode, the RST pin is low for 1ms (typical value). After this delay, it enters the Normal Request Mode and the RST pin is driven high.

The Reset Mode is entered if a reset condition occurs (V_{DD} low, watchdog trigger fail, after wake-up from Sleep Mode, Normal Request Mode timeout occurs).

NORMAL REQUEST MODE

This is a temporary mode automatically accessed by the device after the Reset Mode, or after a wake-up from Stop Mode.

In Normal Request Mode, the VDD regulator is ON, the RESET pin is High, and the LIN is operating in RX Only Mode.

As soon as the device enters in the Normal Request Mode an internal timer is started for 150ms (typical value). During these 150ms, the MCU must configure the Timing Control Register (TIMCR) and the Mode Control Register (MCR) with MOD2 and MOD1 bits set = 0, to enter the Normal Mode. If within the 150ms timeout, the MCU does not command the 33912 to Normal Mode, it will enter in Reset Mode. If the WDCONF pin is grounded in order to disable the watchdog function, it goes directly in Normal Mode after the Reset Mode. If the WDCONF pin is open, the 33912 stays typically for 150ms in Normal Request before entering in Normal Mode.

NORMAL MODE

In Normal Mode, all 33912 functions are active and can be controlled by the SPI interface and the PWMIN pin.

The VDD regulator is ON and delivers its full current capability.

If an external resistor is connected between the WDCONF pin and the Ground, the window watchdog function will be enabled.

The wake-up inputs (L1-L4) can be read as digital inputs or have its voltage routed through the analog-multiplexer.

The LIN interface has slew rate and timing compatible with the LIN protocol specification 2.0. The LIN bus can transmit and receive information.

The high side and low side switches are active and have PWM capability according to the SPI configuration.

The interrupts are generated to report failures for V_{SUP} over/under -voltage, thermal shutdown, or thermal shutdown prewarning on the main regulator.

SLEEP MODE

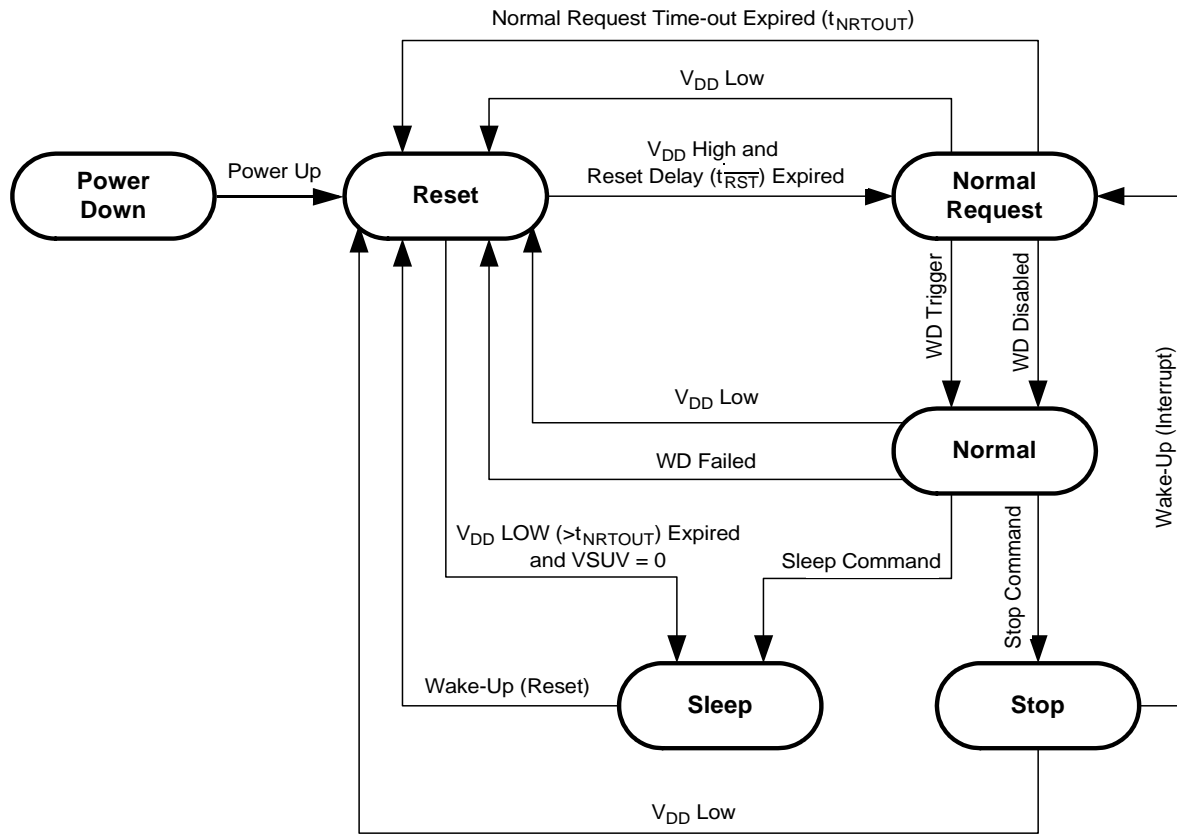
The Sleep Mode is a low power mode. From Normal Mode, the device enters into Sleep Mode by sending one SPI command through the Mode Control Register (MCR). All blocks are in their lowest power consumption condition. Only some wake-up sources (wake-up inputs with or without cyclic sense, forced wake-up and LIN receiver) are active. The 5V regulator is OFF. The internal low-power oscillator may be active if the IC is configured for cyclic-sense. In this condition, one of the high side switches is turned on periodically and the wake-up inputs are sampled.

Wake-up from Sleep Mode is similar to a power-up. The device goes in Reset Mode except that the SPI will report the wake-up source and the BATFAIL flag is not set.

STOP MODE

The Stop Mode is the second low power mode, but in this case the 5V regulator is ON with limited current drive capability. The application MCU is always supplied while the 33912 is operating in Stop Mode.

The device can enter into Stop Mode only by sending the SPI command. When the application is in this mode, it can wake-up from the 33912 side (for example: cyclic sense, force wake-up, LIN bus, wake inputs) or the MCU side (\overline{CS} , \overline{RST} pins). Wake-up from Stop Mode will transition the 33912 to Normal Request Mode and generates an interrupt except if the wake-up event is a low to high transition on the \overline{CS} pin or comes from the \overline{RST} pin.



Legend

- WD: Watchdog
- WD Disabled: Watchdog disabled (WDCONF pin connected to GND)
- WD Trigger: Watchdog is triggered by SPI command
- WD Failed: No watchdog trigger or trigger occurs in closed window
- Stop Command: Stop command sent via SPI
- Sleep Command: Sleep command sent via SPI
- Wake-Up from Stop Mode: L1, L2, L3 or L4 state change, LIN bus wake-up, Periodic wake-up, \overline{CS} rising edge wake-up or \overline{RST} wake-up.
- Wake-Up from Sleep Mode: L1, L2, L3 or L4 state change, LIN bus wake-up, Periodic wake-up.

Figure 15. Operating Modes and Transitions

Table 5. Operating Modes Overview

Function	Reset Mode	Normal Request Mode	Normal Mode	Stop Mode	Sleep Mode
VDD	Full	Full	Full	Stop	-
HVDD	-	SPI ⁽⁵⁵⁾	SPI	-	-
LSx	-	SPI/PWM ⁽⁵⁶⁾	SPI/PWM	-	-
HSx	-	SPI/PWM ⁽⁵⁶⁾	SPI/PWM	Note ⁽⁵⁷⁾	Note ⁽⁵⁸⁾
Analog Mux	-	SPI	SPI	-	-
Lx	-	Inputs	Inputs	Wake-up	Wake-up
Current Sense	On	On	On	-	-
LIN	-	Rx-Only	Full/Rx-Only	Rx-Only/Wake-up	Wake-up
Watchdog	-	150ms (typ.) timeout	On ⁽⁵⁹⁾ /Off	-	-
VSENSE	On	On	On	VDD	-

Notes

55. Operation can be enabled/controlled by the SPI.
56. Operation can be controlled by the PWMIN input.
57. HSx switches can be configured for cyclic sense operation in Stop Mode.
58. HSx switches can be configured for cyclic sense operation in Sleep Mode.
59. Windowing operation when enabled by an external resistor.

INTERRUPTS

Interrupts are used to signal a microcontroller that a peripheral needs to be serviced. The interrupts which can be generated, change according to the operating mode. While in Normal and Normal Request Modes, the 33912 signals through interrupts special conditions which may require a MCU software action. Interrupts are not generated until all pending wake-up sources are read in the Interrupt Source Register (ISR).

While in Stop Mode, interrupts are used to signal wake-up events. Sleep Mode does not use interrupts. Wake-up is performed by powering-up the MCU. In Normal and Normal Request Mode the wake-up source can be read by SPI.

The interrupts are signaled to the MCU by a low logic level of the $\overline{\text{IRQ}}$ pin, which will remain low until the interrupt is acknowledged by a SPI read. The $\overline{\text{IRQ}}$ pin will then be driven high.

Interrupts are only asserted while in Normal, Normal Request and Stop Mode. Interrupts are not generated while the $\overline{\text{RST}}$ pin is low.

The following is a list of the interrupt sources in Normal and Normal Request Modes. Some of these can be masked by writing to the SPI - Interrupt Mask Register (IMR).

Low-voltage Interrupt:

Signals when the supply line (VS1) voltage drops below the VSUV threshold (V_{SUUV}).

High-voltage Interrupt:

Signals when the supply line (VS1) voltage increases above the VSOV threshold (V_{SOV}).

Over-temperature Prewarning:

Signals when the 33912 temperature has reached the pre-shutdown warning threshold. It is used to warn the MCU that an over-temperature shutdown in the main 5V regulator is imminent.

LIN Over-current Shutdown / Over-temperature Shutdown / TXD Stuck At Dominant / RXD Short-circuit:

These signal fault conditions within the LIN interface will cause the LIN driver to be disabled, except for the LIN over-current condition. In order to restart operation, the fault must be removed and must be acknowledged by reading the SPI.

The LINOC bit functionality in the LIN Status Register (LINSR) is to indicate an LIN over-current has occurred and the driver remains enabled.

High Side Over-temperature Shutdown:

Signals a shutdown in the high side outputs.

Low Side Over-temperature Shutdown:

Signals a shutdown in the low side outputs.

RESET

To reset a MCU the 33912 drives the $\overline{\text{RST}}$ pin low for the time the reset condition lasts.

After the reset source is removed, the state machine will drive the $\overline{\text{RST}}$ output low for at least 1ms (typical value) before driving it high.

In the 33912, four main reset sources exist:

5V Regulator Low-voltage-Reset ($V_{\overline{\text{RSTTH}}}$)

The 5V regulator output V_{DD} is continuously monitored against brown outs. If the supply monitor detects that the voltage at the VDD pin has dropped below the reset threshold $V_{\overline{\text{RSTTH}}}$ the 33912 will issue a reset. In case of over-temperature, the voltage regulator will be disabled and the voltage monitoring will issue a VDDOT Flag independently of the V_{DD} voltage.

Window Watchdog Overflow

If the watchdog counter is not properly serviced while its window is open, the 33912 will detect an MCU software run-away and will reset the microcontroller.

Wake-up From Sleep Mode

During Sleep Mode, the 5V regulator is not active, hence all wake-up requests from Sleep Mode require a power-up/reset sequence.

External Reset

The 33912 has a bidirectional reset pin which drives the device to a safe state (same as Reset Mode) for as long as this pin is held low. The $\overline{\text{RST}}$ pin must be held low long enough to pass the internal glitch filter and get recognized by the internal reset circuit. This functionality is also active in Stop Mode.

After the $\overline{\text{RST}}$ pin is released, there is no extra $t_{\overline{\text{RST}}}$ to be considered.

WAKE-UP CAPABILITIES

Once entered into one of the low-power modes (Sleep or Stop) only wake-up sources can bring the device into Normal Mode operation.

In Stop Mode, a wake-up is signaled to the MCU as an interrupt, while in Sleep Mode the wake-up is performed by activating the 5V regulator and resetting the MCU. In both cases the MCU can detect the wake-up source by accessing the SPI registers. There is no specific SPI register bit to signal a $\overline{\text{CS}}$ wake-up or external reset. If necessary this condition is detected by excluding all other possible wake-up sources.

Wake-up from Wake-up inputs (L1-L4) with cyclic sense disabled

The wake-up lines are dedicated to sense state changes of external switches and wake-up the MCU (in Sleep or Stop Mode).

In order to select and activate direct wake-up from Lx inputs, the Wake-up Control Register (WUCR) must be configured with appropriate LxWE inputs enabled or disabled. The wake-up input's state is read through the Wake-up Status Register (WUSR).

Lx inputs are also used to perform cyclic-sense wake-up.

Note: Selecting an Lx input in the analog multiplexer before entering low power mode will disable the wake-up capability of the Lx input

Wake-up from Wake-up inputs (L1-L4) with cyclic sense timer enabled

The SBCLIN can wake-up at the end of a cyclic sense period if on one of the four wake-up input lines (L1-L4) a state change occurs. The HSx switch is activated in Sleep or Stop Modes from an internal timer. Cyclic sense and force wake-up are exclusive. If cyclic sense is enabled, the force wake-up can not be enabled.

In order to select and activate the cyclic sense wake-up from Lx inputs, before entering in low power modes (Stop or Sleep Modes), the following SPI set-up has to be performed:

In WUCR: select the Lx input to WU-enable.

In HSCR: enable the desired HSx.

- In TIMCR: select the $\overline{\text{CS/WD}}$ bit and determine the cyclic sense period with CYSTx bits.
- Perform Goto Sleep/Stop command.

Forced Wake-up

The 33912 can wake-up automatically after a predetermined time spent in Sleep or Stop Mode. Cyclic sense and Forced wake-up are exclusive. If Forced wake-up is enabled, the Cyclic Sense can not be enabled.

To determine the wake-up period, the following SPI set-up has to be sent before entering in low power modes:

- In TIMCR: select the $\overline{\text{CS/WD}}$ bit and determine the low power mode period with CYSTx bits.
- In HSCR: all HSx bits must be disabled.

$\overline{\text{CS}}$ Wake-up

While in Stop Mode, a rising edge on the $\overline{\text{CS}}$ will cause a wake-up. The $\overline{\text{CS}}$ wake-up does not generate an interrupt, and is not reported on SPI.

LIN Wake-up

While in the low-power mode, the 33912 monitors the activity on the LIN bus. A dominant pulse larger than t_{PROPWL} followed by a dominant to recessive transition will cause a LIN wake-up. This behavior protects the system from a short to ground bus condition.

RST Wake-up

While in Stop Mode, the 33912 can wake-up when the $\overline{\text{RST}}$ pin is held low long enough to pass the internal glitch filter. Then, the 33912 will change to Normal Request or Normal Modes depending on the WDCONF pin configuration. The $\overline{\text{RST}}$ wake-up does not generate an interrupt and is not reported via SPI.

From Stop Mode, the following wake-up events can be configured:

- Wake-up from Lx inputs without cyclic sense
- Cyclic sense wake-up inputs
- Force wake-up
- $\overline{\text{CS}}$ wake-up
- LIN wake-up
- $\overline{\text{RST}}$ wake-up

From Sleep Mode, the following wake-up events can be configured:

- Wake-up from Lx inputs without cyclic sense
- Cyclic sense wake-up inputs
- Force wake-up
- LIN wake-up

WINDOW WATCHDOG

The 33912 includes a configurable window watchdog which is active in Normal Mode. The watchdog can be configured by an external resistor connected to the WDCONF pin. The resistor is used to achieve higher precision in the timebase used for the watchdog.

SPI clears are performed by writing through the SPI in the MOD bits of the Mode Control Register (MCR).

During the first half of the SPI timeout, watchdog clears are not allowed, but after the first half of the SPI timeout window, the clear operation opens. If a clear operation is performed outside the window, the 33912 will reset the MCU, in the same way as when the watchdog overflows.

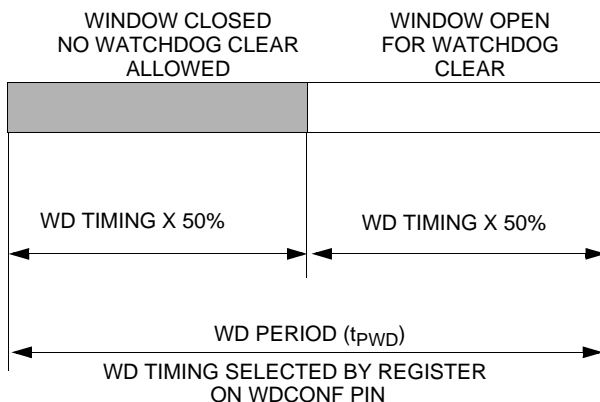


Figure 16. Window Watchdog Operation

To disable the watchdog function in Normal Mode the user must connect the WDCONF pin to ground. This measure effectively disables Normal Request Mode. The WDOFF bit in the Watchdog Status Register (WDSR) will be set. This condition is only detected during Reset Mode.

If neither a resistor nor a connection to ground is detected, the watchdog falls back to the internal lower precision timebase of 150ms (typ.) and signals the faulty condition through the Watchdog Status Register (WDSR).

The watchdog timebase can be further divided by a prescaler which can be configured by the Timing Control Register (TIMCR). During Normal Request Mode, the window watchdog is not active but there is a 150ms (typ.) timeout for leaving the Normal Request Mode. In case of a timeout, the 33912 will enter into Reset Mode, resetting the microcontroller before entering again into Normal Request Mode.

HIGH SIDE OUTPUT PINS HS1 AND HS2

These outputs are two high side drivers intended to drive small resistive loads or LEDs incorporating the following features:

- PWM capability (software maskable)
- Open load detection
- Current limitation
- Over-temperature shutdown (with maskable interrupt)
- High-voltage shutdown (software maskable)
- Cyclic sense

The high side switches are controlled by the bits HS1:2 in the High Side Control Register (HSCR).

PWM Capability (direct access)

Each high side driver offers additional (to the SPI control) direct control via the PWMIN pin.

If both the bits HS1 and PWMHS1 are set in the High Side Control Register (HSCR), then the HS1 driver is turned on if the PWMIN pin is high and turned off if the PWMIN pin is low. This applies to HS2 configuring HS2 and PWMHS2 bits.

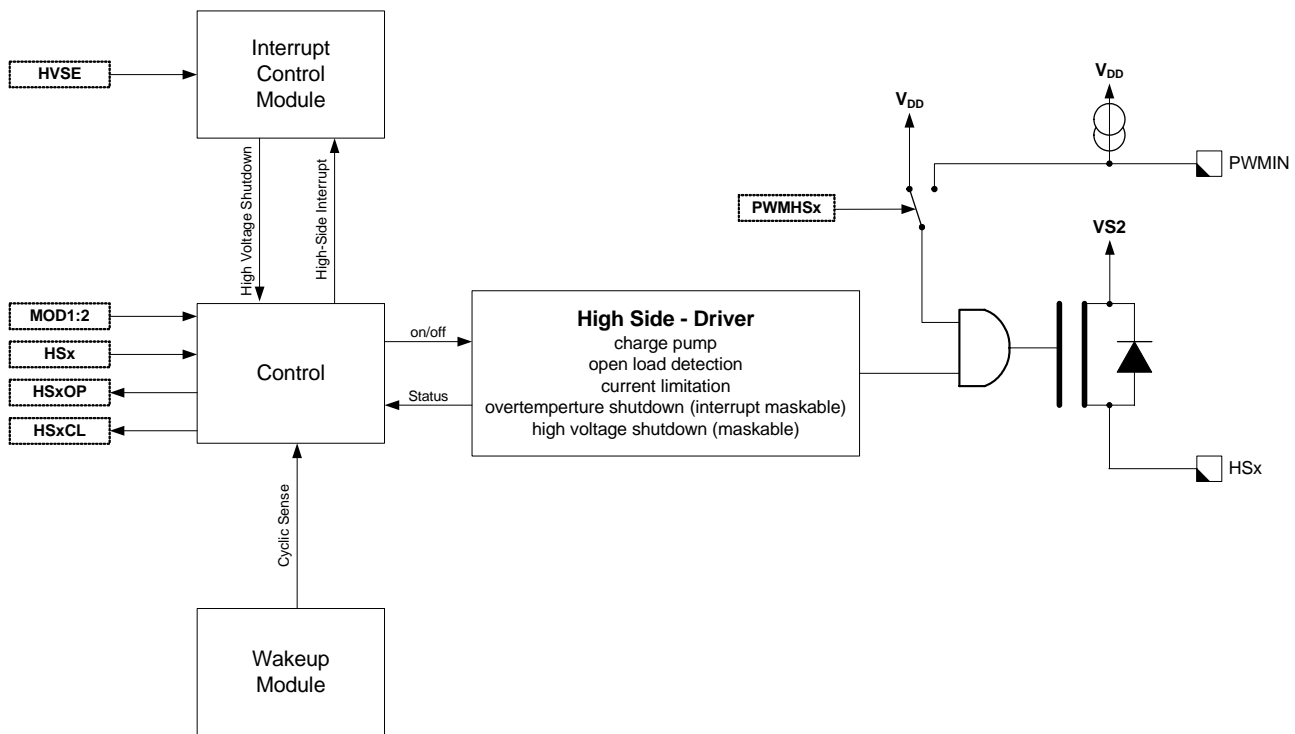


Figure 17. High Side Drivers HS1 and HS2

Open Load Detection

Each high side driver signals an open load condition if the current through the high side is below the open load current threshold.

The open load condition is indicated with the bits HS1OP and HS2OP in the High Side Status Register (HSSR).

Current Limitation

Each high side driver has an output current limitation. In combination with the over-temperature shutdown the high-side drivers are protected against over-current and short-circuit failures.

When the driver operates in the current limitation area, it is indicated with the bits HS1CL and HS2CL in the HSSR.

Note: If the driver is operating in current limitation mode, excessive power might be dissipated.

Over-temperature Protection (HS Interrupt)

Both high side drivers are protected against over-temperature. In case of an over-temperature condition both high side drivers are shut down and the event is latched in the

Interrupt Control Module. The shutdown is indicated as HS Interrupt in the Interrupt Source Register (ISR).

A thermal shutdown of the high side drivers is indicated by setting all HSxOP and HSxCL bits simultaneously.

If the bit HSM is set in the Interrupt Mask Register (IMR), then an interrupt (\overline{IRQ}) is generated.

A write to the High Side Control Register (HSCR), when the over-temperature condition is gone, will re-enable the high side drivers.

High-voltage Shutdown

In case of a high voltage condition and if the high voltage shutdown is enabled (bit HVSE in the Mode Control Register (MCR) is set) both high side drivers are shut down.

A write to the High Side Control Register (HSCR), when the high voltage condition is gone, will re-enable the high side drivers.

Sleep And Stop Mode

The high side drivers can be enabled to operate in Sleep and Stop Mode for cyclic sensing. Also see [Table 5. Operating Modes Overview](#).

LOW SIDE OUTPUT PINS LS1 AND LS2

These outputs are two low side drivers intended to drive relays incorporating the following features:

- PWM capability (software maskable)
- Open load detection
- Current limitation
- Over-temperature shutdown (with maskable interrupt)
- Active clamp (for driving relays)
- High-voltage shutdown (software maskable)

The low side switches are controlled by the bit LS1:2 in the Low Side Control Register (LSCR).

To protect the device against over-voltage when an inductive load (relay) is turned off. An active clamp will re-enable the low side FET if the voltage on the LS1 or LS2 pin exceeds a certain level.

PWM Capability (direct access)

Each low side driver offers additional (to the SPI control) direct control via the PWMIN pin.

If both the bits LS1 and PWMLS1 are set in the Low Side Control Register (LSCR), then the LS1 driver is turned on if the PWMIN pin is high and turned off if the PWMIN pin is low. The same applies to the LS2 and PWMLS2 bits for the LS2 driver.

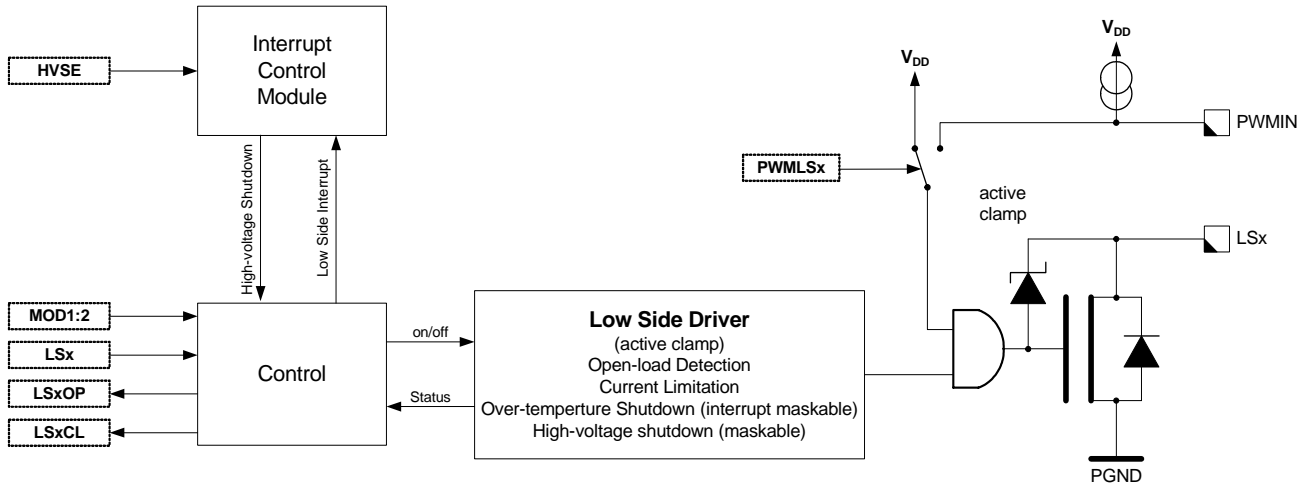


Figure 18. Low Side Drivers LS1 and LS2

Open Load Detection

Each low side driver signals an open load condition if the current through the low side is below the open load current threshold.

The open load condition is indicated with the bit LS1OP and LS2OP in the Low Side Status Register (LSSR).

Current Limitation

Each low side driver has a current limitation. In combination with the over-temperature shutdown the low side drivers are protected against over-current and short-circuit failures.

When the drivers operate in current limitation, this is indicated with the bits LS1CL and LS2CL in the LSSR.

Note: If the drivers are operating in current limitation mode excessive power might be dissipated.

Over-temperature Protection (LS Interrupt)

Both low side drivers are protected against over-temperature. In case of an over-temperature condition both

low side drivers are shut down and the event is latched in the Interrupt Control Module. The shutdown is indicated as an LS Interrupt in the Interrupt Source Register (ISR).

If the bit LSM is set in the Interrupt Mask Register (IMR) than an Interrupt (\overline{IRQ}) is generated.

A write to the Low Side Control Register (LSCR), when the over-temperature condition is gone, will re-enable the low side drivers.

High-voltage Shutdown

In case of a high-voltage condition and if the high-voltage shutdown is enabled (bit HVSE in the Mode Control Register (MCR) is set) both low sides drivers are shut down.

A write to the Low Side Control Register (LSCR), when the high-voltage condition is gone, will re-enable the low side drivers.

Sleep And Stop Mode

The low side drivers are disabled in Sleep and Stop Mode. Also see [Table 5, Operating Modes Overview](#).

LIN PHYSICAL LAYER

The LIN bus pin provides a physical layer for single-wire communication in automotive applications. The LIN physical layer is designed to meet the LIN physical layer specification and has the following features:

- LIN physical layer 2.0 compliant
- Slew rate selection
- Over-current shutdown
- Over-temperature shutdown
- LIN pull-up disable in Stop and Sleep Modes
- Advanced diagnostics
- LIN dominant voltage level selection

The LIN driver is a low side MOSFET with over-current and thermal shutdown. An internal pull-up resistor with a serial diode structure is integrated, so no external pull-up components are required for the application in a slave node. The fall time from dominant to recessive and the rise time from recessive to dominant is controlled. The symmetry between both slopes is guaranteed.

LIN Pin

The LIN pin offers a high susceptibility immunity level from external disturbance, guaranteeing communication during external disturbance.

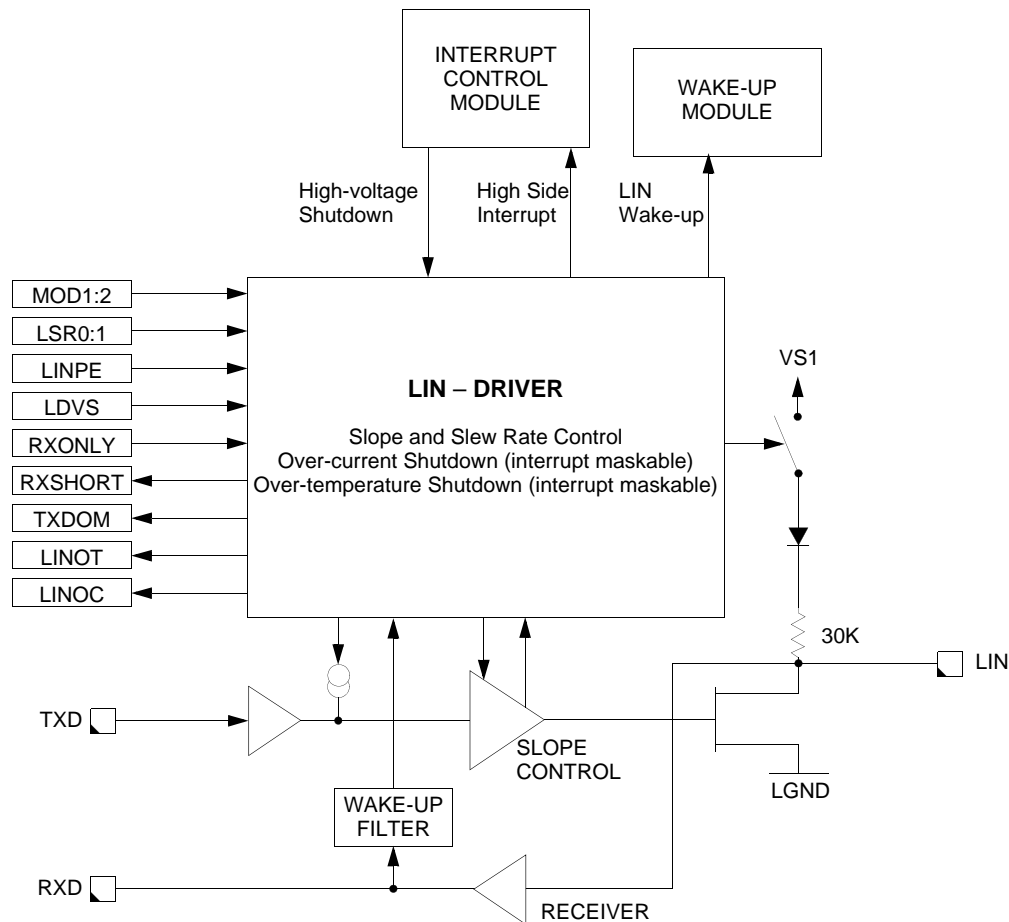


Figure 19. LIN Interface

Slew Rate Selection

The slew rate can be selected for optimized operation at 10.4 and 20kBit/s as well as a fast baud rate for test and programming. The slew rate can be adapted with the bits LSR1:0 in the LIN Control Register (LINCR). The initial slew rate is optimized for 20kBit/s.

LIN Pull-up Disable In Stop And Sleep Modes

In cases of a LIN bus short to GND or LIN bus leakage during low-power mode, the internal pull-up resistor on the LIN pin can be disconnected by clearing the LINPE bit in the Mode Control Register (MCR). The LINPE bit also changes the Bus wake-up threshold (V_{BUSWU}).

This feature will reduce the current consumption in STOP and SLEEP Modes. It also improves performance and safe operation.

Current Limit (LIN Interrupt)

The output low side FET is protected against over-current conditions. In case of an over-current condition (e.g. LIN bus short to V_{BAT}), the transmitter will not be shut down. The bit LINOC in the LIN Status Register (LINSR) is set.

If the LINM bit is set in the Interrupt Mask Register (IMR), an Interrupt \overline{IRQ} will be generated.

Over-temperature Shutdown (LIN Interrupt)

The output low side FET is protected against over-temperature conditions. In case of an over-temperature condition, the transmitter will be shut down and the LINOT bit in the LIN Status Register (LINSR) is set.

If the LINM bit is set in the Interrupt Mask Register (IMR), an Interrupt \overline{IRQ} will be generated.

The transmitter is automatically re-enabled once the condition is gone and TXD is high.

A read of the LIN Status Register (LINSR) with the TXD pin high, will re-enable the transmitter.

RXD Short-circuit Detection (LIN Interrupt)

The LIN transceiver has a short-circuit detection for the RXD output pin. In case of an short-circuit condition, either 5V or Ground, the RXSHORT bit in the LIN Status Register (LINSR) is set and the transmitter is shut down.

If the LINM bit is set in the Interrupt Mask Register (IMR), an Interrupt \overline{IRQ} will be generated.

The transmitter is automatically re-enabled once the condition is gone (transition on RXD) and TXD is high.

A read of the LIN Status Register (LINSR) without the RXD pin short-circuit condition will clear the bit RXSHORT.

TXD Dominant Detection (LIN Interrupt)

The LIN transceiver monitors the TXD input pin to detect a stuck in dominant (0V) condition. In case of a stuck condition (TXD pin 0V for more than 1 second (typ.)), the transmitter is shut down and the TXDOM bit in the LIN Status Register (LINSR) is set.

If the LINM bit is set in the IMR, an Interrupt \overline{IRQ} will be generated.

The transmitter is automatically re-enabled once TXD is high.

A read of the LIN Status Register (LINSR) with the TXD pin at 5V will clear the bit TXDOM.

LIN Dominant Voltage Level Selection

The LIN dominant voltage level can be selected by the bit LDVS in the LIN Control Register (LINCR).

LIN Receiver Operation Only

While in Normal Mode, the activation of the RXONLY bit disables the LIN TXD driver. If case of a LIN error condition, this bit is automatically set. If a low-power mode is selected with this bit set, the LIN wake-up functionality is disabled, then in STOP Mode, the RXD pin will reflect the state of the LIN bus.

STOP Mode And Wake-up Feature

During Stop Mode operation, the transmitter of the physical layer is disabled. If the LIN-PU bit was set in the Stop Mode sequence, the internal pull-up resistor is disconnected from VSUP and a small current source keeps the LIN pin in the recessive state. The receiver is still active and able to detect wake-up events on the LIN bus line.

A dominant level longer than T_{PROPWL} followed by a rising edge will generate a wake-up interrupt, and will be reported in the Interrupt Source Register (ISR). Also see [Figure 11](#), page 19.

SLEEP Mode And Wake-up Feature

During Sleep Mode operation, the transmitter of the physical layer is disabled. If the LIN-PU bit was set in the Sleep Mode sequence, the internal pull-up resistor is disconnected from V_{SUP} and a small current source keeps the LIN pin in recessive state. The receiver must be active to detect wake-up events on the LIN bus line.

A dominant level longer than T_{PROPWL} followed by a rising edge will generate a system wake-up (Reset), and will be reported in the Interrupt Source Register (ISR). Also see [Figure 10](#), page 19.

LOGIC COMMANDS AND REGISTERS

33912 SPI INTERFACE AND CONFIGURATION

The serial peripheral interface creates the communication link between a microcontroller (master) and the 33912.

The interface consists of four pins (see [Figure 20](#)):

- \overline{CS} —Chip Select
- MOSI—Master-Out Slave-In

- MISO—Master-In Slave-Out
- SCLK—Serial Clock

A complete data transfer via the SPI consists of 1 byte. The master sends 4 bits of address (A3:A0) + 4 bits of control information (C3:C0) and the slave replies with 4 system status bits (VMS,LINS,HSS,LSS) + 4 bits of status information (S3:S0).

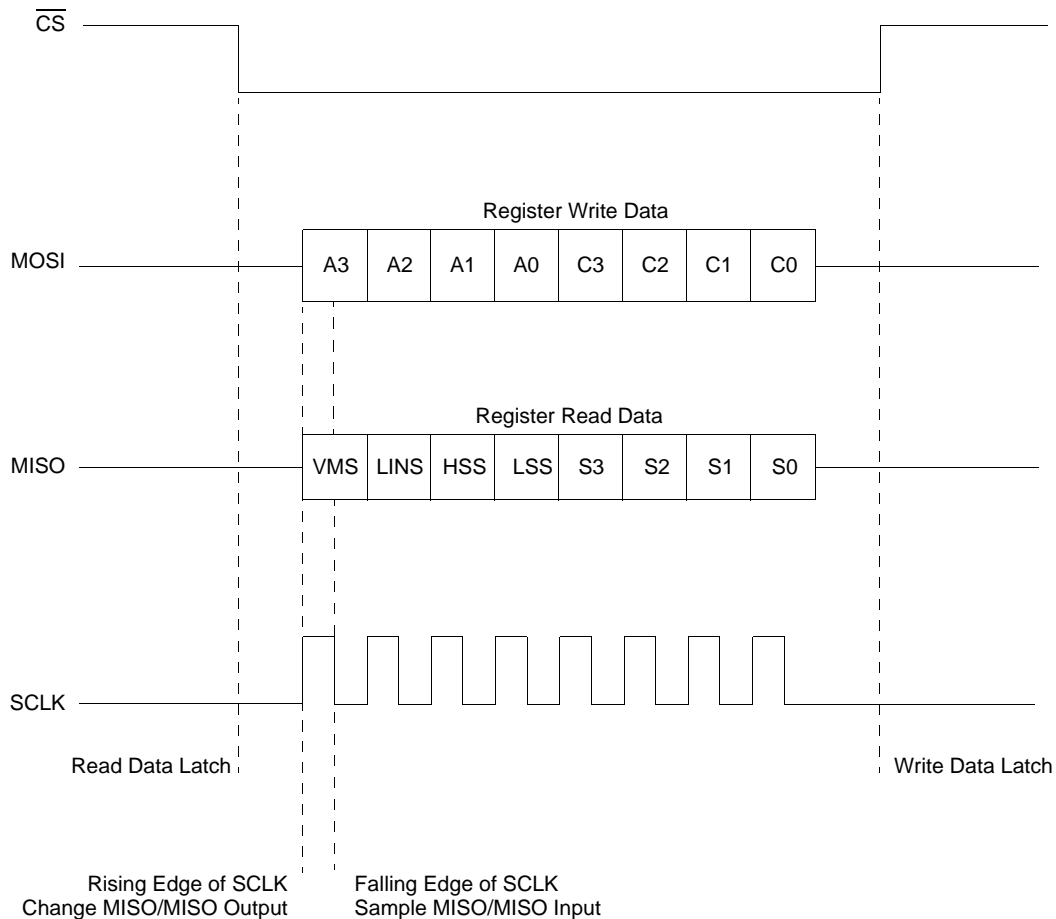


Figure 20. SPI Protocol

During the inactive phase of the \overline{CS} (HIGH), the new data transfer is prepared.

The falling edge of the \overline{CS} indicates the start of a new data transfer and puts the MISO in the low-impedance state and latches the analog status data (Register read data).

With the rising edge of the SPI clock (SCLK), the data is moved to MISO/MOSI pins. With the falling edge of the SPI clock (SCLK), the data is sampled by the receiver.

The data transfer is only valid if exactly 8 sample clock edges are present during the active (low) phase of \overline{CS} .

The rising edge of the Chip Select \overline{CS} indicates the end of the transfer and latches the write data (MOSI) into the register. The \overline{CS} high forces MISO to the high impedance state.

Register reset values are described along with the reset condition. Reset condition is the condition causing the bit to be set to its reset value. The main reset conditions are:

- Power-On Reset (POR): the level at which the logic is reset and BATFAIL flag sets.
- Reset Mode
- Reset done by the \overline{RST} pin (ext_reset)

SPI REGISTER OVERVIEW

Table 6. System Status Register

Adress(A3:A0)	Register Name / Read/Write Information		BIT			
			7	6	5	4
\$0 - \$F	SYSSR - System Status Register	R	VMS	LINS	HSS	LSS

[Table 7](#) summarizes the SPI Register content for Control Information (C3:C0)=W and status information (S3:S0) = R.

Table 7. SPI Register Overview

Adress(A3:A0)	Register Name / Read/Write Information		BIT			
			3	2	1	0
\$0	MCR - Mode Control Register	W	HVSE	LINPE	MOD2	MOD1
	VSR - Voltage Status Register	R	VSOV	VSUV	VDDOT	BATFAIL
\$1	VSR - Voltage Status Register	R	VSOV	VSUV	VDDOT	BATFAIL
\$2	WUCR - Wake-Up Control Register	W	L4WE	L3WE	L2WE	L1WE
	WUSR - Wake-Up Status Register	R	L4	L3	L2	L1
\$3	WUSR - Wake-Up Status Register	R	L4	L3	L2	L1
\$4	LINCR - LIN Control Register	W	LDVS	RXONLY	LSR1	LSR0
	LINSR - LIN Status Register	R	RXSHORT	TXDOM	LINOT	LINOC
\$5	LINSR - LIN Status Register	R	RXSHORT	TXDOM	LINOT	LINOC
\$6	HSCR - High Side Control Register	W	PWMHS2	PWMHS1	HS2	HS1
	HSSR - High Side Status Register	R	HS2OP	HS2CL	HS1OP	HS1CL
\$7	HSSR - High Side Status Register	R	HS2OP	HS2CL	HS1OP	HS1CL
\$8	LSCR - Low Side Control Register	W	PWMLS2	PWMLS1	LS2	LS1
	LSSR - Low Side Status Register	R	LS2OP	LS2CL	LS1OP	LS1CL
\$9	LSSR - Low Side Status Register	R	LS2OP	LS2CL	LS1OP	LS1CL
\$A	TIMCR - Timing Control Register	W	CS/WD	WD2	WD1	WD0
	WDSR - Watchdog Status Register	R		CYST2	CYST1	CYST0
\$B	WDSR - Watchdog Status Register	R	WDTO	WDERR	WDOFF	WDWO
\$C	AMUXCR - Analog Multiplexer Control Register	W	LXDS	MX2	MX1	MX0
\$D	CFR - Configuration Register	W	HVDD	CYSX8	CSAZ	CSGS
\$E	IMR - Interrupt Mask Register	W	HSM	LSM	LINM	VMM
	ISR - Interrupt Source Register	R	ISR3	ISR2	ISR1	ISR0
\$F	ISR - Interrupt Source Register	R	ISR3	ISR2	ISR1	ISR0

REGISTER DEFINITIONS

System Status Register - SYSSR

The System Status Register (SYSSR) is always transferred with every SPI transmission and gives a quick system status overview. It summarizes the status of the Voltage Status Register (VSR), LIN Status Register (LINSR), High Side Status Register (HSSR), and the Low Side Status Register (LSSR).

Table 8. System Status Register

	S7	S6	S5	S4
Read	VMS	LINS	HSS	LSS

VMS - Voltage Monitor Status

This read-only bit indicates that one or more bits in the VSR are set.

- 1 = Voltage Monitor bit set
- 0 = None

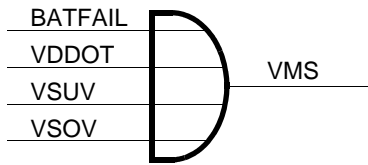


Figure 21. Voltage Monitor Status

LINS - LIN Status

This read-only bit indicates that one or more bits in the LINSR are set.

- 1 = LIN Status bit set
- 0 = None

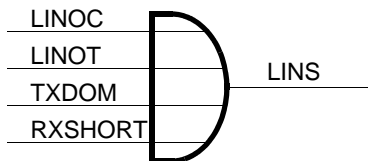


Figure 22. LIN Status

HSS - High Side Switch Status

This read-only bit indicates that one or more bits in the HSSR are set.

- 1 = High Side Status bit set
- 0 = None

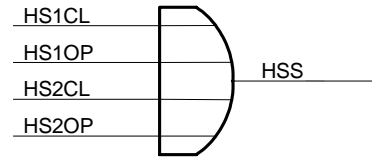


Figure 23. High Side Status

LSS - Low Side Switch Status

This read-only bit indicates that one or more bits in the LSSR are set.

- 1 = Low Side Status bit set
- 0 = None

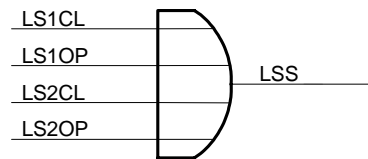


Figure 24. Low Side Status

Mode Control Register - MCR

The Mode Control Register (MCR) allows switching between the operation modes and to configure the 33912. Writing the MCR will return the VSR.

Table 9. Mode Control Register - \$0

	C3	C2	C1	C0
Write	HVSE	LINPE	MOD2	MOD1
Reset Value	1	1	-	-
Reset Condition	POR	POR	-	-

HVSE - High-Voltage Shutdown Enable

This write-only bit enables/disables automatic shutdown of the high side and the low side drivers during a high-voltage VSOV condition.

- 1 = automatic shutdown enabled
- 0 = automatic shutdown disabled

LINPE - LIN pull-up enable.

This write-only bit enables/disables the 30kΩ LIN pull-up resistor in STOP and SLEEP Modes. This bit also controls the LIN bus wake-up threshold.

- 1 = LIN pull-up resistor enabled
- 0 = LIN pull-up resistor disabled

MOD2, MOD1 - Mode Control Bits

These write-only bits select the operating mode and allow clearing the watchdog in accordance with [Table 10](#) Mode Control Bits.

Table 10. Mode Control Bits

MOD2	MOD1	Description
0	0	Normal Mode
0	1	Stop Mode
1	0	Sleep Mode
1	1	Normal Mode + Watchdog Clear

Voltage Status Register - VSR

Returns the status of the several voltage monitors. This register is also returned when writing to the Mode Control Register (MCR).

Table 11. Voltage Status Register - \$0/\$1

	S3	S2	S1	S0
Read	VSOV	VSUV	VDDOT	BATFAIL

VSOV - V_{SUP} Over-Voltage

This read-only bit indicates an over-voltage condition on the VS1 pin.

- 1 = Over-voltage condition.
- 0 = Normal condition.

VSUV - V_{SUP} Under-Voltage

This read-only bit indicates an under-voltage condition on the VS1 pin.

- 1 = Under-voltage condition.
- 0 = Normal condition.

VDDOT - Main Voltage Regulator Over-temperature Warning

This read-only bit indicates that the main voltage regulator temperature reached the Over-temperature Prewarning Threshold.

- 1 = Over-temperature Prewarning
- 0 = Normal

BATFAIL - Battery Fail Flag.

This read-only bit is set during power-up and indicates that the 33912 had a Power-On-Reset (POR).

Any access to the MCR or VSR will clear the BATFAIL flag.

- 1 = POR Reset has occurred
- 0 = POR Reset has not occurred

Wake-Up Control Register - WUCR

This register is used to control the digital wake-up inputs. Writing the WUCR will return the Wake-Up Status Register (WUSR).

Table 12. Wake-Up Control Register - \$2

	C3	C2	C1	C0
Write	L4WE	L3WE	L2WE	L1WE
Reset Value	1	1	1	1
Reset Condition	POR, Reset Mode or ext_reset			

LxWE - Wake-up Input x Enable

This write-only bit enables/disables which Lx inputs are enabled. In Stop and Sleep Mode the LxWE bit determines which wake inputs are active for wake-up. If one of the Lx inputs is selected on the analog multiplexer, the corresponding LxWE is masked to 0.

- 1 = Wake-Up Input x enabled.
- 0 = Wake-Up Input x disabled.

Wake-Up Status Register - WUSR

This register is used to monitor the digital wake-up inputs and is also returned when writing to the WUCR.

Table 13. Wake-Up Status Register - \$2/\$3

	S3	S2	S1	S0
Read	L4	L3	L2	L1

Lx - Wake-up input x

This read-only bit indicates the status of the corresponding Lx input. If the Lx input is not enabled, then the according Wake-Up status will return 0.

After a wake-up from Stop or Sleep Mode these bits also allow to determine which input has caused the wake-up, by first reading the Interrupt Status Register (ISR) and then reading the WUSR.

- 1 = Lx Wake-up.
- 0 = Lx Wake-up disabled or selected as analog input.

LIN Control Register - LINCRCR

This register controls the LIN physical interface block. Writing the LIN Control Register (LINCRCR) returns the LIN Status Register (LINSR).

Table 14. LIN Control Register - \$4

	C3	C2	C1	C0
Write	LDVS	RXONLY	LSR1	LSR0
Reset Value	0	0	0	0
Reset Condition	POR, Reset Mode or ext_reset	POR, Reset Mode, ext_reset or LIN failure gone*	POR	

* LIN failure gone: if LIN failure (overtemp, TXD/RXD short) was set, the flag resets automatically when the failure is gone.

LDVS - LIN Dominant Voltage Select

This write-only bit controls the LIN Dominant voltage:

1 = LIN Dominant Voltage = $V_{LIN_DOM_1}$ (1.7V typ)

0 = LIN Dominant Voltage = $V_{LIN_DOM_0}$ (1.1V typ)

RXONLY - LIN Receiver Operation Only

This write-only bit controls the behavior of the LIN transmitter.

In Normal Mode, the activation of the RXONLY bit disables the LIN transmitter. In case of a LIN error condition, this bit is automatically set.

In Stop Mode this bit disables the LIN wake-up functionality, and the RXD pin will reflect the state of the LIN bus.

1 = only LIN receiver active (Normal Mode) or LIN wake-up disabled (Stop Mode).

0 = LIN fully enabled.

LSRx - LIN Slew-Rate

This write-only bit controls the LIN driver slew-rate in accordance with [Table 15](#).

Table 15. LIN Slew-Rate Control

LSR1	LSR0	Description
0	0	Normal Slew Rate (up to 20kb/s)
0	1	Slow Slew Rate (up to 10kb/s)
1	0	Fast Slew Rate (up to 100kb/s)
1	1	Reserved

LIN Status Register - LINSR

This register returns the status of the LIN physical interface block and is also returned when writing to the LINCRCR.

Table 16. LIN Status Register - \$4/\$5

	S3	S2	S1	S0
Read	RXSHORT	TXDOM	LINOT	LINOC

RXSHORT - RXD Pin Short-Circuit

This read-only bit indicates a short-circuit condition on the RXD pin (shorted either to 5.0V or to Ground). The short-circuit delay must be a worst case of 8 μ s to be detected and to shut down the driver. To clear this bit, it must be read after the condition is gone (transition detected on RXD pin). The LIN driver is automatically re-enabled once the condition is gone.

1 = RXD short-circuit condition.

0 = None.

TXDOM - TXD Permanent Dominant

This read-only bit signals the detection of a TXD pin stuck at dominant (Ground) condition and the resultant shutdown in the LIN transmitter. This condition is detected after the TXD pin remains in dominant state for more than 1 second (typical value).

To clear this bit, it must be read after TXD has gone high. The LIN driver is automatically re-enabled once TXD goes High.

1 = TXD stuck at dominant fault detected.

0 = None.

LINOT - LIN Driver Over-temperature Shutdown

This read-only bit signals that the LIN transceiver was shutdown due to over-temperature. The transmitter is automatically re-enabled after the over-temperature condition is gone and TXD is high. The LINOT bit is cleared after SPI read once the condition is gone.

1 = LIN over-temperature shutdown

0 = None

LINOC - LIN Driver Over-Current Shutdown

This read-only bit signals an over-current condition occurred on the LIN pin. The LIN driver is not shut down but an IRQ is generated. To clear this bit, it must be read after the condition is gone.

1 = LIN over-current shutdown

0 = None

High Side Control Register - HSCR

This register controls the operation of the high side drivers. Writing to this register returns the High Side Status Register (HSSR).

Table 17. High Side Control Register - \$6

	C3	C2	C1	C0
Write	PWMHS2	PWMHS1	HS2	HS1
Reset Value	0	0	0	0
Reset Condition	POR		POR, Reset Mode, ext_reset, HSx over-temp or (VSOV & HVSE)	

PWMHSx - PWM Input Control Enable.

This write-only bit enables/disables the PWMIN input pin to control the respective high side switch. The corresponding high side switch must be enabled (HSx bit).

- 1 = PWMIN input controls HSx output.
- 0 = HSx is controlled only by SPI.

HSx - HSx Switch Control.

This write-only bit enables/disables the corresponding high side switch.

- 1 = HSx switch on.
- 0 = HSx switch off.

High Side Status Register - HSSR

This register returns the status of the high side switches and is also returned when writing to the HSCR.

Table 18. High Side Status Register - \$6/\$7

	S3	S2	S1	S0
Read	HS2OP	HS2CL	HS1OP	HS1CL

High Side thermal shutdown

A thermal shutdown of the high side drivers is indicated by setting all HSxOP and HSxCL bits simultaneously.

HSxOP - High Side Switch Open-Load Detection

This read-only bit signals that the high side switches are conducting current below a certain threshold indicating possible load disconnection.

- 1 = HSx Open Load detected (or thermal shutdown)
- 0 = Normal

HSxCL - High Side Current Limitation

This read-only bit indicates that the respective high side switch is operating in current limitation mode.

- 1 = HSx in current limitation (or thermal shutdown)
- 0 = Normal

Low Side Control Register - LSCR

This register controls the operation of the low side drivers. Writing the Low Side Control Register (LSCR) will also return the Low Side Status Register (LSSR).

Table 19. Low Side Control Register - \$8

	C3	C2	C1	C0
Write	PWMLS2	PWMLS1	LS2	LS1
Reset Value	0	0	0	0
Reset Condition	POR		POR, Reset Mode, ext_reset, LSx over-temp or (VSOV & HVSE)	

PWMLx - PWM input control enable.

This write-only bit enables/disables the PWMIN input pin to control the respective low side switch. The corresponding low side switch must be enabled (LSx bit).

- 1 = PWMIN input controls LSx.
- 0 = LSx is controlled only by SPI.

LSx - LSx switch control.

This write-only bit enables/disables the corresponding low side switch.

- 1 = LSx switch on.
- 0 = LSx switch off.

Low Side Status Register - LSSR

This register returns the status of the low side switches and is also returned when writing to the LSCR.

Table 20. Low Side Status Register - \$8/\$9

	C3	C2	C1	C0
Read	LS2OP	LS2CL	LS1OP	LS1CL

Low Side thermal shutdown

A thermal shutdown of the low side drivers is indicated by setting all LSxOP and LSxCL bits simultaneously.

LSxOP - Low Side Switch Open-Load Detection

This read-only bit signals that the low side switches are conducting current below a certain threshold indicating possible load disconnection.

- 1 = LSx Open Load detected (or thermal shutdown)
- 0 = Normal

LSxCL - Low Side Current Limitation

This read-only bit indicates that the respective low side switch is operating in current limitation mode.

- 1 = LSx in current limitation (or thermal shutdown)
- 0 = Normal

Timing Control Register - TIMCR

This register is a double purpose register which allows to configure the watchdog and the cyclic sense periods. Writing to the Timing Control Register (TIMCR) will also return the Watchdog Status Register (WDSR).

Table 21. Timing Control Register - \$A

	C3	C2	C1	C0
Write	CS/WD	WD2	WD1	WD0
		CYST2	CYST1	CYST0
Reset Value	-	0	0	0
Reset Condition	-	POR		

CS/WD - Cyclic Sense or Watchdog prescaler select

This write-only bit selects which prescaler is being written to, the Cyclic Sense prescaler or the Watchdog prescaler.

1 = Cyclic Sense Prescaler selected

0 = Watchdog Prescaler select

WDx - Watchdog Prescaler

This write-only bits selects the divider for the watchdog prescaler and therefore selects the watchdog period in accordance with [Table 22](#). This configuration is valid only if windowing watchdog is active.

Table 22. watchdog Prescaler

WD2	WD1	WD0	Prescaler Divider
0	0	0	1
0	0	1	2
0	1	0	4
0	1	1	6
1	0	0	8
1	0	1	10
1	1	0	12
1	1	1	14

CYSTx - Cyclic Sense Period Prescaler Select

This write-only bits selects the interval for the wake-up cyclic sensing together with the bit CYSX8 in the Configuration Register (CFR) (see page [41](#)).

This option is only active if one of the high side switches is enabled when entering in Stop or Sleep Mode. Otherwise a timed wake-up is performed after the period shown in [Table 23](#).

Table 23. Cyclic Sense Interval

CYSX8 ⁽⁶⁰⁾	CYST2	CYST1	CYST0	Interval
X	0	0	0	No cyclic sense
0	0	0	1	20ms
0	0	1	0	40ms
0	0	1	1	60ms
0	1	0	0	80ms
0	1	0	1	100ms
0	1	1	0	120ms
0	1	1	1	140ms
1	0	0	1	160ms
1	0	1	0	320ms
1	0	1	1	480ms
1	1	0	0	640ms
1	1	0	1	800ms
1	1	1	0	960ms
1	1	1	1	1120ms

Notes

60. bit CYSX8 is located in Configuration Register (CFR)

Watchdog Status Register - WDSR

This register returns the Watchdog status information and is also returned when writing to the TIMCR.

Table 24. Watchdog Status Register - \$A/\$B

	S3	S2	S1	S0
Read	WDTO	WDERR	WDOFF	WDWO

WDTO - Watchdog Timeout

This read-only bit signals the last reset was caused by either a watchdog timeout or by an attempt to clear the Watchdog within the window closed.

Any access to this register or the Timing Control Register (TIMCR) will clear the WDTO bit.

1 = Last reset caused by watchdog timeout

0 = None

WDERR - Watchdog Error

This read-only bit signals the detection of a missing watchdog resistor. In this condition the watchdog is using the internal, lower precision timebase. The Windowing function is disabled.

- 1 = WDCONF pin resistor missing
- 0 = WDCONF pin resistor not floating

WDOFF - Watchdog Off

This read-only bit signals that the watchdog pin connected to Ground and therefore disabled. In this case watchdog timeouts are disabled and the device automatically enters Normal Mode out of Reset. This might be necessary for software debugging and for programming the Flash memory.

- 1 = Watchdog is disabled
- 0 = Watchdog is enabled

WDWO - Watchdog Window Open

This read-only bit signals when the watchdog window is open for clears. The purpose of this bit is for testing. Should be ignored in case WDERR is High.

- 1 = Watchdog window open
- 0 = Watchdog window closed

Analog Multiplexer Control Register - MUXCR

This register controls the analog multiplexer and selects the divider ration for the Lx input divider.

Table 25. Analog Multiplexer Control Register - \$C

	C3	C2	C1	C0
Write	LXDS	MX2	MX1	MX0
Reset Value	1	0	0	0
Reset Condition	POR	POR, Reset Mode or ext_reset		

LXDS - Lx Analog Input Divider Select

This write-only bit selects the resistor divider for the Lx analog inputs. Voltage is internally clamped to VDD.

- 0 = Lx Analog divider: 1
- 1 = Lx Analog divider: 3.6 (typ.)

MXx - Analog Multiplexer Input Select

These write-only bits selects which analog input is multiplexed to the ADOUT0 pin according to [Table 26](#).

When disabled or when in Stop or Sleep Mode, the output buffer is not powered and the ADOUT0 output is left floating to achieve lower current consumption.

Table 26. Analog Multiplexer Channel Select

MX2	MX1	MX0	Meaning
0	0	0	Disabled
0	0	1	Reserved
0	1	0	Die Temperature Sensor
0	1	1	VSENSE input
1	0	0	L1 input
1	0	1	L2 input
1	1	0	L3 input
1	1	1	L4 input

Configuration Register - CFR

This register controls the Hall Sensor Supply enable/disable, the cyclic sense timing multiplier, enables/disables the Current Sense Auto-zero function and selects the gain for the current sense amplifier.

Table 27. Configuration Register - \$D

	C3	C2	C1	C0
Write	HVDD	CYSX8	CSAZ	CSGS
Reset Value	0	0	0	0
Reset Condition	POR, Reset Mode or ext_reset	POR	POR	POR

HVDD - Hall Sensor Supply Enable

This write-only bit enables/disables the state of the hall sensor supply.

- 1 = HVDD on
- 0 = HVDD off

CYSX8 - Cyclic Sense Timing x 8.

This write-only bit influences the cyclic sense period as shown in [Table 23](#).

- 1 = Multiplier enabled
- 0 = None

CSAZ - Current Sense Auto-Zero Function Enable

This write-only bit enables/disables the circuitry to lower the offset voltage of the current sense amplifier.

- 1 = Auto-zero function enabled
- 0 = Auto-zero function disabled

CSGS - Current Sense Amplifier Gain Select

This write-only bit selects the gain of the current sense amplifier.

- 1 = 14.5 (typ.)
- 0 = 30 (typ.)

Interrupt Mask Register - IMR

This register allows masking of some of the interrupt sources. The respective flags within the Interrupt Source Register (ISR) will continue to work but will not generate interrupts to the MCU. The 5V Regulator over-temperature prewarning interrupt and Under-Voltage (VSUV) interrupts can not be masked and will always cause an interrupt.

Writing to the IMR will return the ISR.

Table 28. Interrupt Mask Register - \$E

	C3	C2	C1	C0
Write	HSM	LSM	LINM	VMM
Reset Value	1	1	1	1
Reset Condition	POR			

HSM - High Side Interrupt Mask

This write-only bit enables/disables interrupts generated in the high side block.

- 1 = HS Interrupts Enabled
- 0 = HS Interrupts Disabled

LSM - Low Side Interrupt Mask

This write-only bit enables/disables interrupts generated in the low side block.

- 1 = LS Interrupts Enabled
- 0 = LS Interrupts Disabled

LINM - LIN Interrupts Mask

This write-only bit enables/disables interrupts generated in the LIN block.

- 1 = LIN Interrupts Enabled
- 0 = LIN Interrupts Disabled

VMM - Voltage Monitor Interrupt Mask

This write-only bit enables/disables interrupts generated in the Voltage Monitor block. The only maskable interrupt in the Voltage Monitor Block is the V_{SUP} over-voltage interrupt.

- 1 = Interrupts Enabled
- 0 = Interrupts Disabled

Interrupt Source Register - ISR

This register allows the MCU to determine the source of the last interrupt or wake-up respectively. A read of the register acknowledges the interrupt and leads IRQ pin to high, in case there are no other pending interrupts. If there are pending interrupts, IRQ will be driven high for 10µs and then be driven low again.

This register is also returned when writing to the Interrupt Mask Register (IMR).

Table 29. Interrupt Source Register - \$E/\$F

	S3	S2	S1	S0
Read	ISR3	ISR2	ISR1	ISR0

ISR_x - Interrupt Source Register

These read-only bits indicate the interrupt source following [Table 30](#). If no interrupt is pending then all bits are 0.

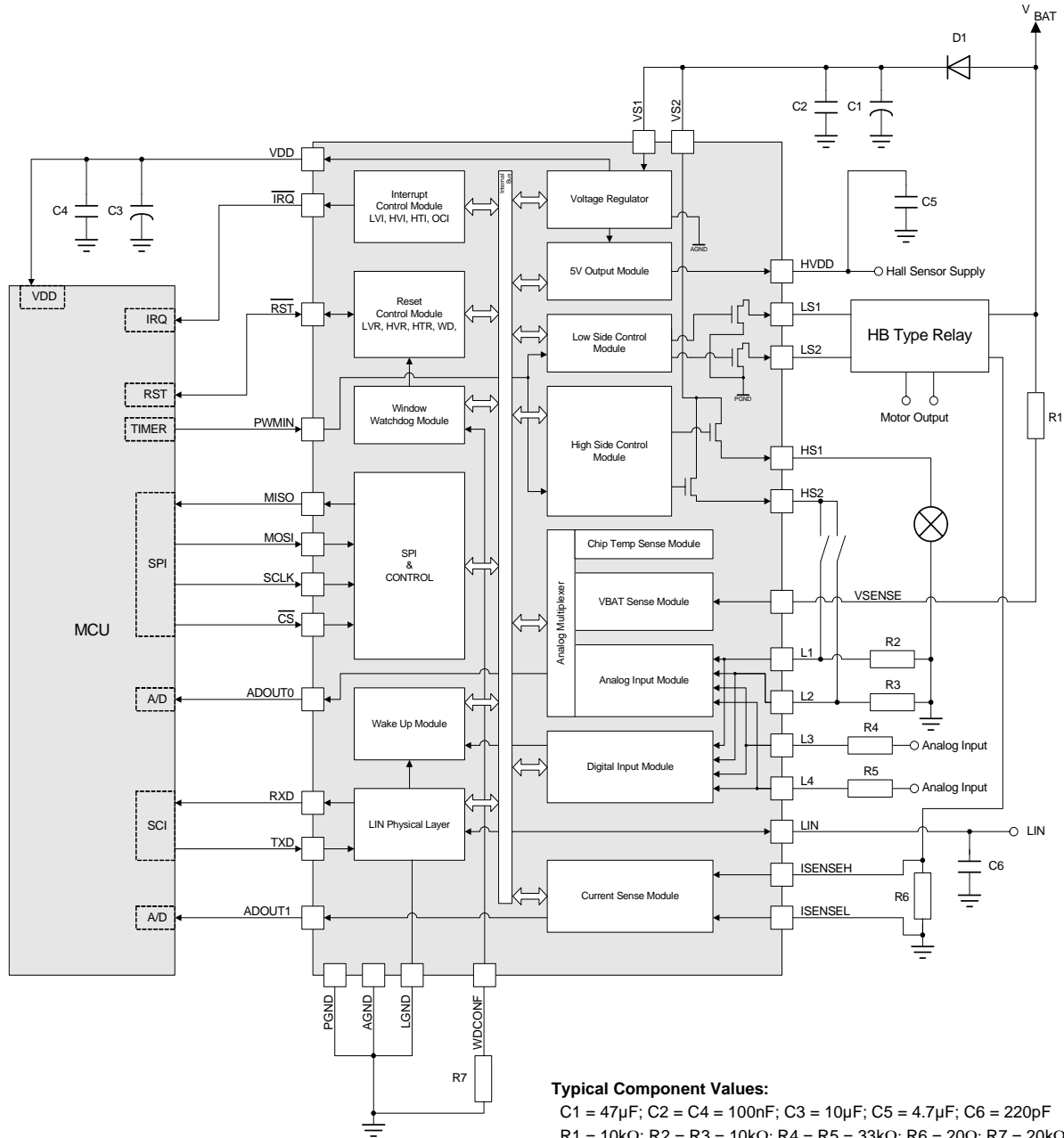
In case more than one interrupt is pending, the interrupt sources are handled sequentially multiplex.

Table 30. Interrupt Sources

				Interrupt Source		Priority
ISR3	ISR2	ISR1	ISR0	none maskable	maskable	
0	0	0	0	no interrupt	no interrupt	none
0	0	0	1		Lx Wake-up from Stop Mode-	highest
0	0	1	0	-	HS Interrupt (Over-temperature)	
0	0	1	1	-	LS Interrupt (Over-temperature)	
0	1	0	0		LIN Interrupt (RXSHORT, TXDOM, LIN OT, LIN OC) or LIN Wake-up	
0	1	0	1	Voltage Monitor Interrupt (Low Voltage and VDD over-temperature)	Voltage Monitor Interrupt (High Voltage)	
0	1	1	0	-	Forced Wake-up	lowest

TYPICAL APPLICATION

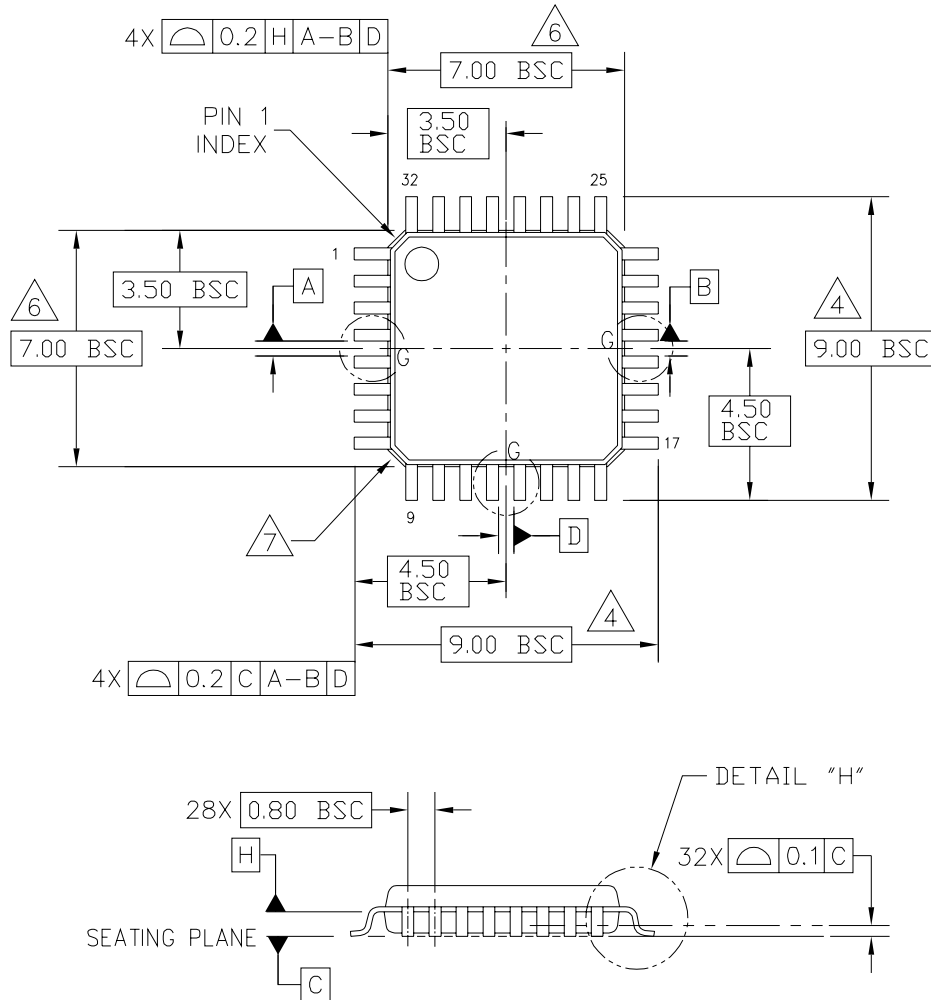
The 33912 can be configured in several applications. The figure below shows the 33912 in the typical Slave Node Application.



PACKAGING

PACKAGE DIMENSIONS

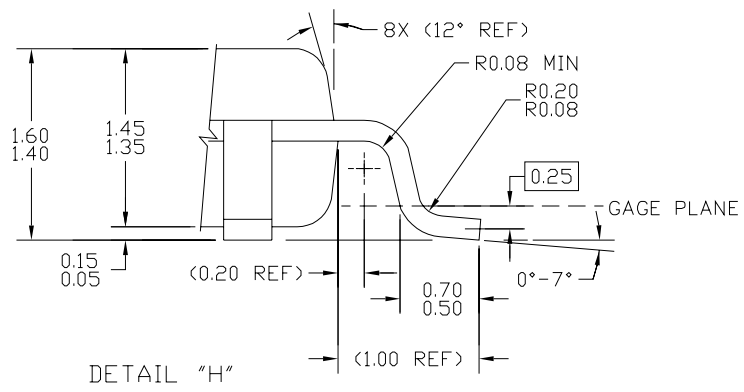
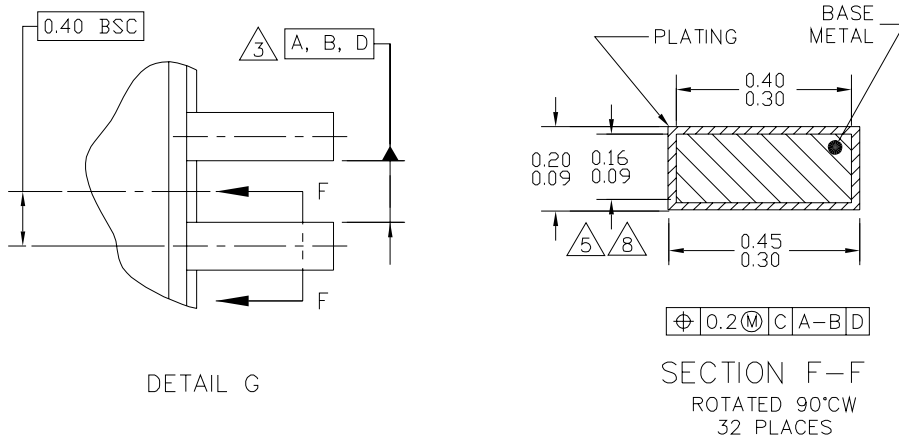
Important For the most current revision of the package, visit www.Freescale.com and select Documentation, then under Available Documentation column select Packaging Information.



© FREESCALE SEMICONDUCTOR, INC. ALL RIGHTS RESERVED.	MECHANICAL OUTLINE	PRINT VERSION NOT TO SCALE	
TITLE: LOW PROFILE QUAD FLAT PACK (LQFP) 32 LEAD, 0.8 PITCH (7 X 7 X 1.4)		DOCUMENT NO: 98ASH70029A	REV: D
		CASE NUMBER: 873A-03	19 MAY 2005
		STANDARD: JEDEC MS-026 BBA	

AC SUFFIX (PB-FREE)
32-PIN LQFP
98ASH70029A
REVISION D

PACKAGE DIMENSIONS (Continued)



© FREESCALE SEMICONDUCTOR, INC. ALL RIGHTS RESERVED.	MECHANICAL OUTLINE	PRINT VERSION NOT TO SCALE	
TITLE: LOW PROFILE QUAD FLAT PACK (LQFP) 32 LEAD, 0.8 PITCH (7 X 7 X 1.4)	DOCUMENT NO: 98ASH70029A	REV: D	
	CASE NUMBER: 873A-03	19 MAY 2005	
	STANDARD: JEDEC MS-026 BBA		

AC SUFFIX (PB-FREE)
32-PIN LQFP
98ASH70029A
REVISION D

REVISION HISTORY

Revision	Date	Description of Changes
1.0	5/2007	<ul style="list-style-type: none">Initial Release
2.0	9/2007	<ul style="list-style-type: none">Several textual correctionsPage 11: "Analog Output offset Ratio" (LXDS=1) changed to "Analog Output offset" +/-22mVPage 11: VSENSE Input Divider Ratio adjusted to 5,0/5,25/5,5Page 12: Common mode input impedance corrected to 75kΩPage 13/15: LIN PHYSICAL LAYER parameters adjusted to final LIN specification release
3.0	9/2007	<ul style="list-style-type: none">Revision number incremented at engineering request.
4.0	2/2008	<ul style="list-style-type: none">Changed Functional Block Diagram on page 24.

How to Reach Us:

Home Page:

www.freescale.com

Web Support:

<http://www.freescale.com/support>

USA/Europe or Locations Not Listed:

Freescale Semiconductor, Inc.
Technical Information Center, EL516
2100 East Elliot Road
Tempe, Arizona 85284
+1-800-521-6274 or +1-480-768-2130
www.freescale.com/support

Europe, Middle East, and Africa:

Freescale Halbleiter Deutschland GmbH
Technical Information Center
Schatzbogen 7
81829 Muenchen, Germany
+44 1296 380 456 (English)
+46 8 52200080 (English)
+49 89 92103 559 (German)
+33 1 69 35 48 48 (French)
www.freescale.com/support

Japan:

Freescale Semiconductor Japan Ltd.
Headquarters
ARCO Tower 15F
1-8-1, Shimo-Meguro, Meguro-ku,
Tokyo 153-0064
Japan
0120 191014 or +81 3 5437 9125
support.japan@freescale.com

Asia/Pacific:

Freescale Semiconductor Hong Kong Ltd.
Technical Information Center
2 Dai King Street
Tai Po Industrial Estate
Tai Po, N.T., Hong Kong
+800 2666 8080
support.asia@freescale.com

For Literature Requests Only:

Freescale Semiconductor Literature Distribution Center
P.O. Box 5405
Denver, Colorado 80217
1-800-441-2447 or 303-675-2140
Fax: 303-675-2150
LDCForFreescaleSemiconductor@hibbertgroup.com

Information in this document is provided solely to enable system and software implementers to use Freescale Semiconductor products. There are no express or implied copyright licenses granted hereunder to design or fabricate any integrated circuits or integrated circuits based on the information in this document.

Freescale Semiconductor reserves the right to make changes without further notice to any products herein. Freescale Semiconductor makes no warranty, representation or guarantee regarding the suitability of its products for any particular purpose, nor does Freescale Semiconductor assume any liability arising out of the application or use of any product or circuit, and specifically disclaims any and all liability, including without limitation consequential or incidental damages. "Typical" parameters that may be provided in Freescale Semiconductor data sheets and/or specifications can and do vary in different applications and actual performance may vary over time. All operating parameters, including "Typicals", must be validated for each customer application by customer's technical experts. Freescale Semiconductor does not convey any license under its patent rights nor the rights of others. Freescale Semiconductor products are not designed, intended, or authorized for use as components in systems intended for surgical implant into the body, or other applications intended to support or sustain life, or for any other application in which the failure of the Freescale Semiconductor product could create a situation where personal injury or death may occur. Should Buyer purchase or use Freescale Semiconductor products for any such unintended or unauthorized application, Buyer shall indemnify and hold Freescale Semiconductor and its officers, employees, subsidiaries, affiliates, and distributors harmless against all claims, costs, damages, and expenses, and reasonable attorney fees arising out of, directly or indirectly, any claim of personal injury or death associated with such unintended or unauthorized use, even if such claim alleges that Freescale Semiconductor was negligent regarding the design or manufacture of the part.

Freescale™ and the Freescale logo are trademarks of Freescale Semiconductor, Inc. All other product or service names are the property of their respective owners.

© Freescale Semiconductor, Inc., 2007. All rights reserved.