

Advance Information

Long Duration Automotive Timer

This circuit is a Long Duration Automotive Timer primarily designed as a defogger timer, but as it is realised using a digital divider techniques and it is suitable for a variety of long duration timing functions. The circuit is available in an 8 pin surface plastic package.

- Operating Ambient Temperature from -40°C to 85°C
- Operating Voltage Range from 5V to 18V
- 400mA Output Current Capability
- Integrated Input Debounce Circuitry
- Few External Components
- Toggle Input for Timing Start and Stop

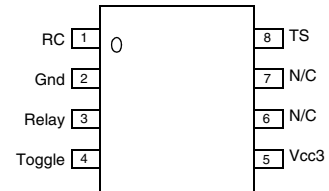
MC33187

LONG DURATION AUTO-MOTIVE TIMER
SEMICONDUCTOR TECHNICAL DATA



D SUFFIX
PLASTIC PACKAGE
CASE 751
(SO-8)

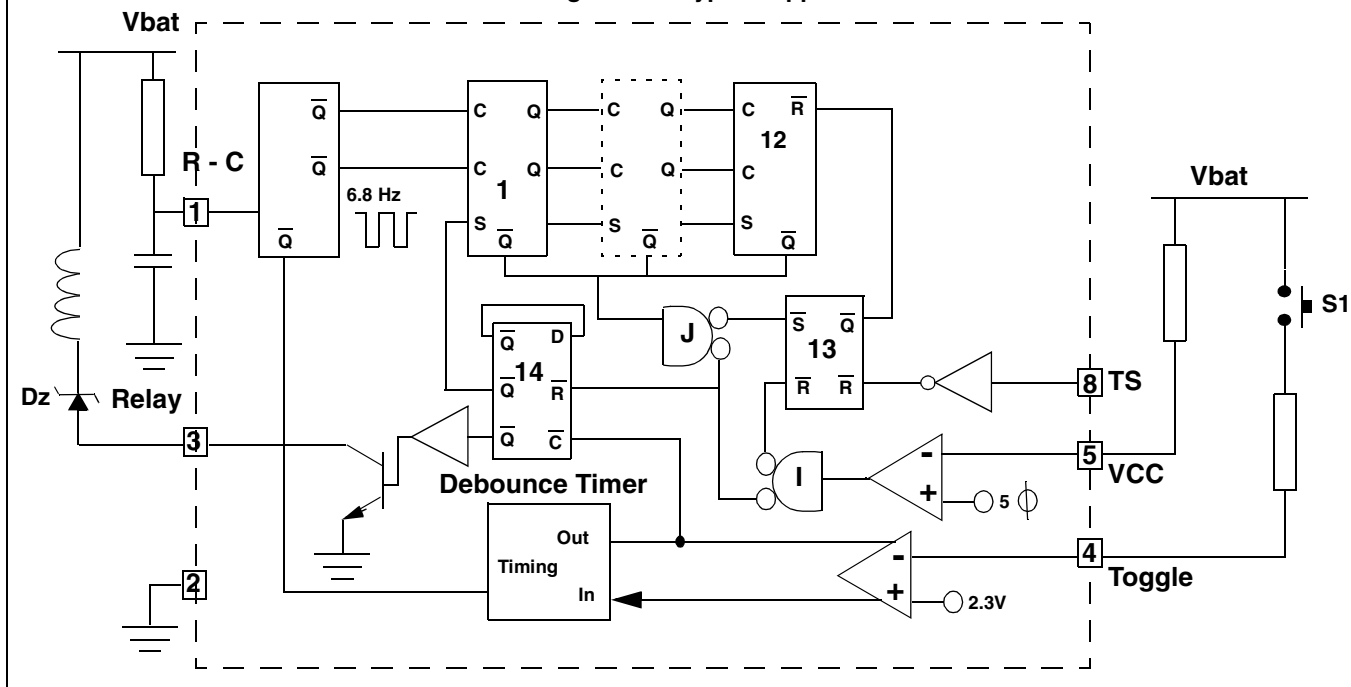
PIN CONNECTIONS



ORDERING INFORMATION

Device	Operating Temperature Range	Package
MC33187D	-40°C to +85°C	SO8

Block Diagram and Typical Application



This document contains information on a new product. Specifications and information herein are subject to change without notice.

For More Information On This Product,
Go to: www.freescale.com

MOTOROLA
digital dna™

© Motorola, Inc., 2001. All rights reserved.

Freescale Semiconductor, Inc.

MAXIMUM RATINGS

Ratings	Symbol	Value	Unit
---------	--------	-------	------

ELECTRICAL RATINGS

Pin 5 voltage	Vpin5	18	V
Pin 3 Voltage	Vpin3	18	V
Pin 3 Current	Ipin3	400	mA

THERMAL RATINGS

Storage Temperature	Tstg	-55 to +175	°C
Operating Junction Temperature	Tj	-40 to +150	°C

ELECTRICAL CHARACTERISTICS. Tamb from - 40°C to + 85°C, Vcc = 14V through 1KΩ, unless otherwise noted. Typical values reflect approximate mean at 25°C, nominal VCC, at time of device characterization.

Parameters	Symbol	Min	Typ	Max	Unit
------------	--------	-----	-----	-----	------

RC PIN 1

Oscillator Frequency Vbat = 14V trough 1KΩ	fo	300		400	Hz
Internal Counter Divider step	VR1		4096		

RELAY PIN 3

Output Leakage current @ Vpin3 = 28V / Vbat = 14V	IO1			100	uA
Output Leakage current @ Vpin3 = 22V / Vbat = 0V	IO2			100	uA
Output Saturation Voltage @ 250mA / Vbat = 14V	VO1			1.35	V
Output Saturation Voltage @ 400mA	VO2			2.60	V

TOGGLE PIN 4

Toggle Input Clamp @ Vbat = 14V / Vpin8 = 14V through 9.1KΩ	TCLP	6.0		9.0	V
Toggle Threshold	VTG-T	1.0		4.0	V

VCC3 PIN 5

Supply Current @ Vcc = 5V	ICC	0.5		3.5	mA
VCC Zener Regulation @ Vbat = 14V through 1K	VCC	6.0		8.0	V

TS PIN 8

Time Select Current @ TS = 5V	ITS	25		200	uA
-------------------------------	-----	----	--	-----	----

DEVICE DESCRIPTION

Pin 1 : RC

Oscillator frequency control. Rt and Ct control the frequency of the clock oscillator. The period of oscillation is nominally given by $t = RtCt$ with the overall time period given by $T = 4096 RtCt$. However, the following formula is believed to give a more accurate forecast of the overall time interval provided by the circuit for values of Rt between 200K and 2M and values of Ct between 1nF and 1uF.
 Formula : $T = 4.1 \cdot 10e-3 (RT * (RT/150)*2.7) *CT$.

Pin 2 : GND

Ground : Most negative supply terminal.

Pin 3 : RELAY

Relay output driver. Open collector drive from a Darlington transistor rated. $I_{cmax} = 400mA$ and $V_{max} = 18V$. The relay driver output is on (low) during the time period.

Pin 4 : TOGGLE

On/Off Control. A positive going voltage transition on this input toggles the timer between the On and Off state. If the timer is On and timing, it may be turned off by a positive going signal on the toggle pin before the time delay has elapsed.

Pin 5 : VCC

Positive supply terminal. The timer requires a supply voltage of 5 to 18V applied to Vcc through Rs. An internal 7V zener limits the Vcc terminal voltage. Cs is included to provide supply rail decoupling.

Recommended values of Rs and Cs on a standard 12V vehicle system are $R_s = 1K\Omega$ and $C_s = 100nF$.

APPLICATION

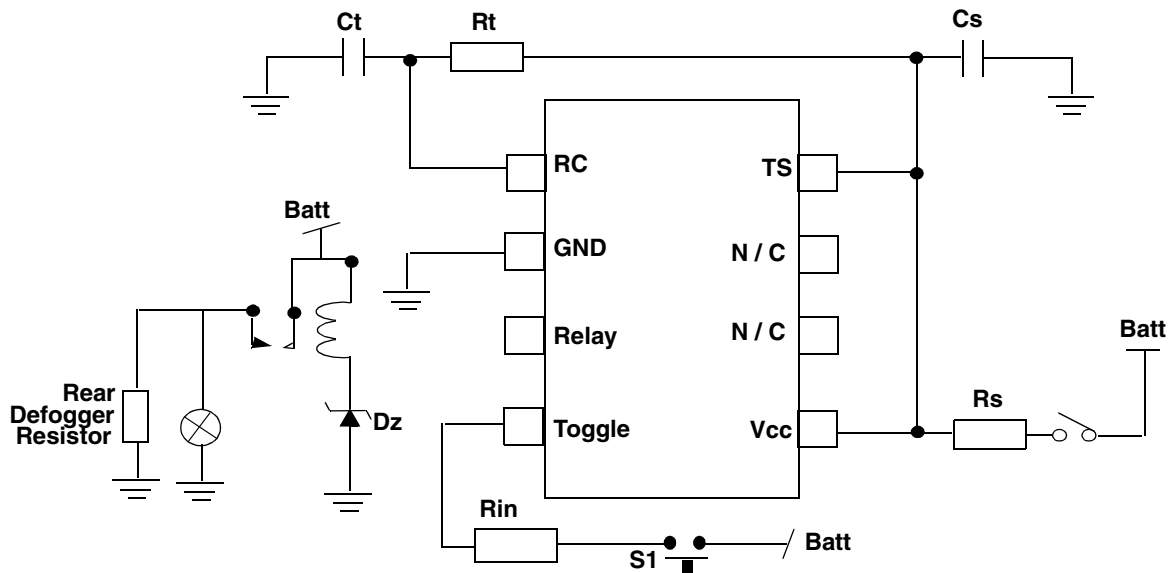
This is the standard operation of this circuit requiring the minimum of extra components.

The ON/OFF switch is a non-latching push button (or similar), illuminated by a lamp in parallel with the rear window defogger. Rin protects the toggle input from supply line transients with a nominal of $R_{in} = 10K\Omega$. The relay is intended to be a standard automotive relay ($R_{nom} = 60\Omega$) with contacts rated appropriately for the defogger controlled. Dz with a nominal value of 16V +-5% is included to provide protection of

the relay drive output transistor against relay turn-off and supply lines transients.

The type of zener used is dependent of the level of protection required. An MZD16 will provide adequate protection for all relay turn-off and low energy supply transients, while a P6KE16A will provide full protection against all known transients. If the relay output is to be connected in any other way or to a non-standard relay, the maximum ratings quoted under the General Description above should be noted.

Figure 1. .Defogger Timer Operation



MC33187 Freescale Semiconductor, Inc.

The circuit shown demonstrates the use of the timer to provide a delay in turning the courtesy light off after the vehicle doors are closed. The components are the same as the defogger timer and R_t , C_t , R_s and C_s are as described in the general description above, while D_z and R_{in} are described in the description of the defogger timer. S_1 to S_n represent the doors switches which can be basically the same as for a conventional system, except that only the relay coil current and not the full lamp current passes through them.

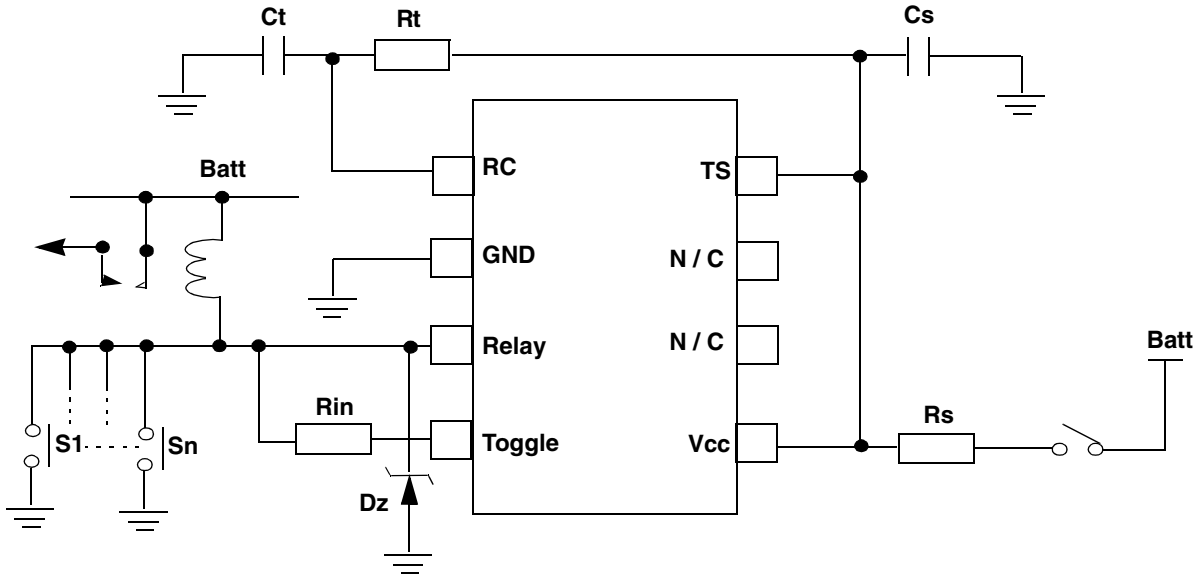
The operation of the circuit is as follows :

While one of the door switches is closed, the courtesy light is on with the relay current flowing through the switch.

As soon as the last switch is opened, the energy stored in the relay coil causes the common connection of the switches to rise to the voltage permitted by the clamp consisting of D_z (approximately 16V).

This provides a toggle input via R_{in} , causing the relay output of the integrated circuit to go low, thus keeping the relay energised for the period preset, with the direct connection to R_{in} ensuring that any switch bounce or noise during this period cannot cause toggle input to be detected. Retriggering at the end of the timing period is prevented by the built in the debounce timer.

Figure 2. Courtesy Light Timer Operation



MC33187
Freescale Semiconductor, Inc.

This circuit is designed to just use the toggle and relay drive feature of the long duration timer.

The functions of components Rs, Cs, Rt, Ct, Rin and Dz are as previously described. Although the circuit is not intended to be allowed to time out, Rt and Ct need to be included as it is necessary for the timer to run for the internal debounce timer to be reset.

The control switch S1 needs to be a normally closed momentary type.

While it is closed, D1 ensures that the oscillator does not run, while R1 ensures that D1 is reverse biased when the switch is operated (open). C1 is included to provide a time constant RinC1 to delay the detection of a toggle input.

Thus the operation of the circuit is as follows :

When S1 is operated, the oscillator is allowed to start ; the toggle input is then recognised and the relay output changes state assuming that the switch has been released, the oscillator is stopped and the sequence above can be repeated.

If the switch is held operated for 9 seconds, with the values recommended below, after it has been used to switch the relay on the circuit will time out and the relay switch off. No further action takes place until the circuit is reset by releasing the button.

If the switch is held operated after it has been used to switch the relay off, nothing happens until the circuit is reset by releasing the button.

Recommended values :

Rs = 1KΩ

Cs = 100nF

Rt = 220KΩ

Ct = 10nF

Rin = 100KΩ

R1 = 1KΩ

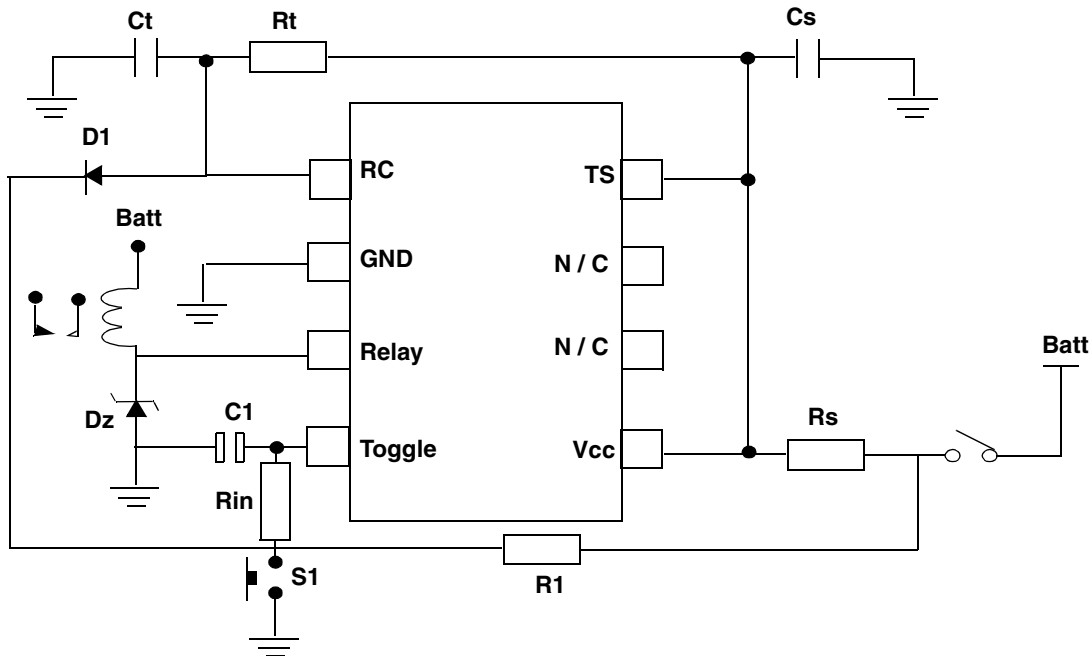
C1 = 220nF

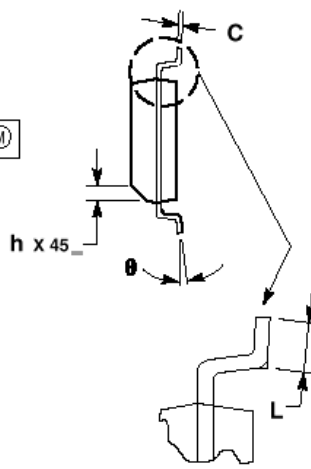
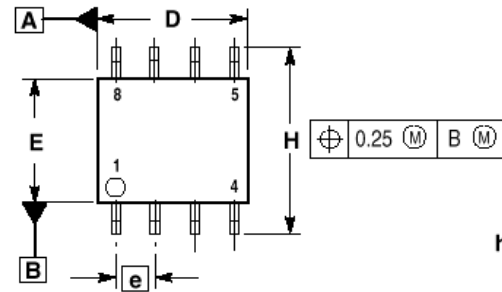
Dz = MZD16

D1 = 1N4148

Note that the time constant RtCt and RinC1 are related (start up time and basic frequency of oscillator/switch to toggle delay time) and need to stay in the ratio (1:10).

Figure 3. Relay Drive and Latch (No Timeout)

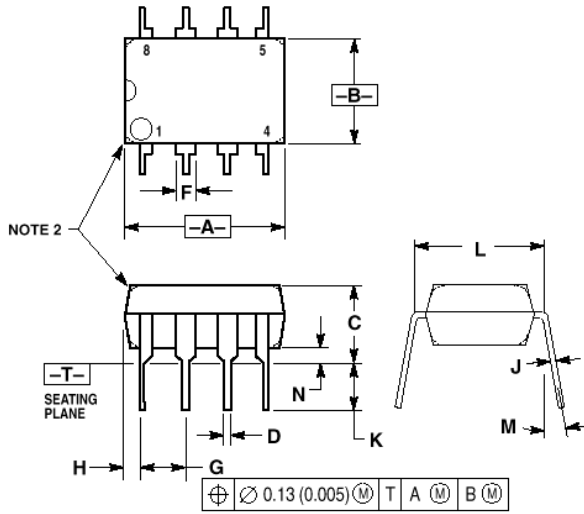
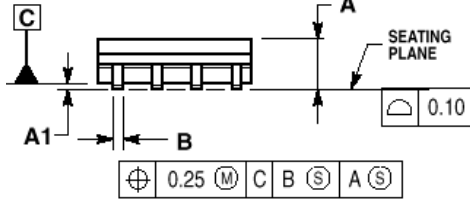




NOTES:

1. DIMENSIONING AND TOLERANCING PER ASME Y14.5M, 1994.
2. DIMENSIONS ARE IN MILLIMETER.
3. DIMENSION D AND E DO NOT INCLUDE MOLD PROTRUSION.
4. MAXIMUM MOLD PROTRUSION 0.15 PER SIDE.
5. DIMENSION B DOES NOT INCLUDE DAMBAR PROTRUSION. ALLOWABLE DAMBAR PROTRUSION SHALL BE 0.127 TOTAL IN EXCESS OF THE B DIMENSION AT MAXIMUM MATERIAL CONDITION.

DIM	MILLIMETERS	
	MIN	MAX
A	1.35	1.75
A1	0.10	0.25
B	0.35	0.49
C	0.19	0.25
D	4.80	5.00
E	3.80	4.00
e	1.27 BSC	
H	5.80	6.20
h	0.25	0.50
L	0.40	1.25
θ	0	7




NOTES:

1. DIMENSION L TO CENTER OF LEAD WHEN FORMED PARALLEL.
2. PACKAGE CONTOUR OPTIONAL (ROUND OR SQUARE CORNERS).
3. DIMENSIONING AND TOLERANCING PER ANSI Y14.5M, 1982.

DIM	MILLIMETERS		INCHES	
	MIN	MAX	MIN	MAX
A	9.40	10.16	0.370	0.400
B	6.10	6.60	0.240	0.260
C	3.94	4.45	0.155	0.175
D	0.38	0.51	0.015	0.020
F	1.02	1.78	0.040	0.070
G	2.54 BSC		0.100 BSC	
H	0.76	1.27	0.030	0.050
J	0.20	0.30	0.008	0.012
K	2.92	3.43	0.115	0.135
L	7.62 BSC		0.300 BSC	
M	10		10	
N	0.76	1.01	0.030	0.040

STYLE 1:

- PIN 1. AC IN
 2. DC + IN
 3. DC - IN
 4. AC IN
 5. GROUND
 6. OUTPUT
 7. AUXILIARY
 8. V_{CC}

Motorola reserves the right to make changes without further notice to any products herein. Motorola makes no warranty, representation or guarantee regarding the suitability of its products for any particular purpose, nor does Motorola assume any liability arising out of the application or use of any product or circuit, and specifically disclaims any and all liability, including without limitation consequential or incidental damages. "Typical" parameters which may be provided in Motorola data sheets and/or specifications can and do vary in different applications and actual performance may vary over time. All operating parameters, including "Typical" must be validated for each customer application by customer's technical experts. Motorola does not convey any license under its patent rights nor the rights of others. Motorola products are not designed, intended, or authorized for use as components in systems intended for surgical implant into the body, or other applications intended to support or sustain life, or for any application in which the failure of the Motorola product could create a situation where personal injury or death may occur. Should Buyer purchase or use Motorola products for any such unintended or unauthorized application, Buyer shall indemnify and hold Motorola and its officers, employees, subsidiaries, affiliates, and distributors harmless against all claims, costs, damages, and expenses, and reasonable attorney fees arising out of, directly or indirectly, any claim of personal injury or death associated with such unintended or un authorized use, even if such claim alleges that Motorola was negligent regarding the design or manufacture of the parts. Motorola and  are registered trademarks of Motorola, Inc. Motorola, Inc. is an Equal Employment Opportunity/Affirmative Action Employer.

How to reach us:

USA / EUROPE / Locations Not Listed: Motorola Literature Distribution;
P.O. Box 5405, Denver, Colorado 80217. 1-303-675-2140 or 1-800-441-2447

JAPAN: Motorola Japan Ltd.; SPS, Technical Information Center, 3-20-1,
Minami-Azabu, Minato-ku, Tokyo 106-8573 Japan. 81-3-344-3569

Technical Information Center: 1-800-521-6274

ASIA / PACIFIC: Motorola Semiconductors H.K. Ltd.; Silicon Harbour Centre,
2, Dai King Street, Tai Po Industrial Estate, Tai Po, N.T., Hong Kong.
852-26668334

HOME PAGE: <http://www.motorola.com/semiconductors>



MOTOROLA

**For More Information On This Product,
Go to: www.freescale.com**

MC33187/D