

# MC33264

## Micropower smallCAP™ Voltage Regulators with On/Off Control

The MC33264 series are micropower low dropout voltage regulators available in SO-8 and Micro-8 surface mount packages and a wide range of output voltages. These devices feature a very low quiescent current (100  $\mu\text{A}$  in the ON mode; 0.1  $\mu\text{A}$  in the OFF mode), and are capable of supplying output currents up to 100 mA. Internal current and thermal limiting protection is provided. They require only a small output capacitance for stability.

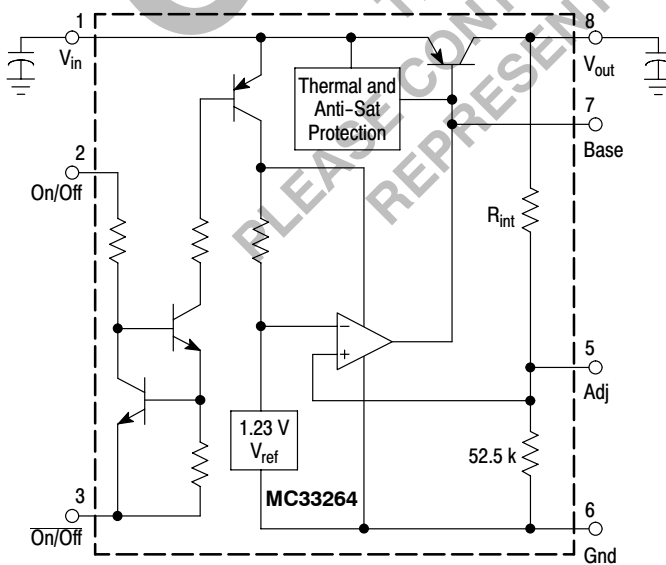
Additionally, the MC33264 has either active HIGH or active LOW control (Pins 2 and 3) that allows a logic level signal to turn-off or turn-on the regulator output.

Due to the low input-to-output voltage differential and bias current specifications, these devices are ideally suited for battery powered computer, consumer, and industrial equipment where an extension of useful battery life is desirable.

### MC33264 Features:

- Low Quiescent Current (0.3  $\mu\text{A}$  in OFF Mode; 95  $\mu\text{A}$  in ON Mode)
- Low Input-to-Output Voltage Differential of 47 mV at 10 mA, and 131 mV at 50 mA
- Multiple Output Voltages Available
- Extremely Tight Line and Load Regulation
- Stable with Output Capacitance of Only 0.22  $\mu\text{F}$  for 4.0 V, 4.75 V and 5.0 V Output Voltages  
0.33  $\mu\text{F}$  for 2.8 V, 3.0 V, 3.3 V and 3.8 V Output Voltages
- Internal Current and Thermal Limiting
- Logic Level ON/OFF Control
- Functionally Equivalent to TK115XXMC and LP2980

### Representative Block Diagram



This device contains 37 active transistors.



ON Semiconductor®

<http://onsemi.com>

## LOW DROPOUT MICROPOWER VOLTAGE REGULATORS WITH ON/OFF CONTROL

### SEMICONDUCTOR TECHNICAL DATA

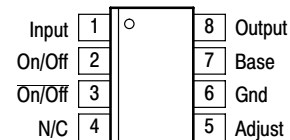


**D SUFFIX**  
PLASTIC PACKAGE  
CASE 751  
(SO-8)



**DM SUFFIX**  
PLASTIC PACKAGE  
CASE 846A  
(Micro-8)

### PIN CONNECTIONS



(Top View)

### ORDERING INFORMATION

Device	Operating Temperature Range	Package
MC33264D-2.8 MC33264D-3.0 MC33264D-3.3 MC33264D-3.8 MC33264D-4.0 MC33264D-4.75 MC33264D-5.0	$T_A = -40^\circ \text{ to } +85^\circ \text{C}$	SO-8
MC33264DM-2.8 MC33264DM-3.0 MC33264DM-3.3 MC33264DM-3.8 MC33264DM-4.0 MC33264DM-4.75 MC33264DM-5.0		Micro-8

# MC33264

## MAXIMUM RATINGS (T<sub>C</sub> = 25°C, unless otherwise noted.)

Rating	Symbol	Value	Unit
Input Voltage	V <sub>CC</sub>	13	Vdc
Power Dissipation and Thermal Characteristics			
Maximum Power Dissipation	P <sub>D</sub>	Internally Limited	W
Case 751 (SO-8) D Suffix			
Thermal Resistance, Junction-to-Ambient	R <sub>θJA</sub>	180	°C/W
Thermal Resistance, Junction-to-Case	R <sub>θJC</sub>	45	°C/W
Case 846A (Micro-8) DM Suffix			
Thermal Resistance, Junction-to-Ambient	R <sub>θJA</sub>	240	°C/W
Output Current	I <sub>O</sub>	100	mA
Maximum Adjustable Output Voltage	V <sub>O</sub>	1.15 x V <sub>nom</sub>	Vdc
Operating Junction Temperature	T <sub>J</sub>	125	°C
Operating Ambient Temperature	T <sub>A</sub>	-40 to +85	°C
Storage Temperature Range	T <sub>stg</sub>	-65 to +150	°C

NOTE: ESD data available upon request.

## ELECTRICAL CHARACTERISTICS (V<sub>in</sub> = 6.0 V, I<sub>O</sub> = 10 mA, C<sub>O</sub> = 1.0 μF, T<sub>J</sub> = 25°C (Note 1), unless otherwise noted.)

Characteristic	Symbol	Min	Typ	Max	Unit
Output Voltage (I <sub>O</sub> = 0 mA)	V <sub>O</sub>				V
2.8 Suffix (V <sub>CC</sub> = 3.8 V)		2.74	2.8	2.86	
3.0 Suffix (V <sub>CC</sub> = 4.0 V)		2.96	3.0	3.04	
3.3 Suffix (V <sub>CC</sub> = 4.3 V)		3.23	3.3	3.37	
3.8 Suffix (V <sub>CC</sub> = 4.8 V)		3.72	3.8	3.88	
4.0 Suffix (V <sub>CC</sub> = 5.0 V)		3.92	4.0	4.08	
4.75 Suffix (V <sub>CC</sub> = 5.75 V)		4.66	4.75	4.85	
5.0 Suffix (V <sub>CC</sub> = 6.0 V)		4.9	5.0	5.1	
V <sub>in</sub> = (V <sub>O</sub> + 1.0) V to 12 V, I <sub>O</sub> < 60 mA, T <sub>A</sub> = -40° to +85°C					
2.8 Suffix		2.7	-	2.9	
3.0 Suffix		2.9	-	3.1	
3.3 Suffix		3.18	-	3.42	
3.8 Suffix		3.67	-	3.93	
4.0 Suffix		3.86	-	4.14	
4.75 Suffix		4.58	-	4.92	
5.0 Suffix		4.83	-	5.17	
Line Regulation (V <sub>in</sub> = [V <sub>O</sub> + 1.0] V to 12 V, I <sub>O</sub> = 60 mA) All Suffixes	Reg <sub>line</sub>	-	2.0	10	mV
Load Regulation (V <sub>in</sub> = [V <sub>O</sub> + 1.0], I <sub>O</sub> = 0 mA to 60 mA) All Suffixes	Reg <sub>load</sub>	-	16	25	mV
Dropout Voltage	V <sub>I</sub> - V <sub>O</sub>				mV
I <sub>O</sub> = 10 mA		-	47	90	
I <sub>O</sub> = 50 mA		-	131	200	
I <sub>O</sub> = 60 mA		-	147	230	
Quiescent Current	I <sub>Q</sub>				μA
ON Mode (V <sub>in</sub> = [V <sub>O</sub> + 1.0] V, I <sub>O</sub> = 0 mA)		-	95	150	
OFF Mode		-	0.3	2.0	
ON Mode (V <sub>in</sub> = [V <sub>O</sub> + 0.5] V, I <sub>O</sub> = 0 mA) [Note2]		-	540	900	
Ripple Rejection (V <sub>in</sub> peak-to-peak = [V <sub>O</sub> + 1.5] to [V <sub>O</sub> + 5.5] V at f = 1.0 kHz)	-	55	65	-	dB
Output Voltage Temperature Coefficient	TC	-	±120	-	ppm/°C
Current Limit (V <sub>in</sub> = [V <sub>O</sub> + 1.0], V <sub>O</sub> Shorted)	I <sub>Limit</sub>	100	150	-	mA
Output Noise Voltage (10 Hz to 100 kHz) (Note 3) C <sub>L</sub> = 1.0 μF	V <sub>n</sub>	-	110	-	μVrms

NOTES: 1. Low duty pulse techniques are used during test to maintain junction temperature as close to ambient as possible.  
2. Quiescent current is measured where the PNP pass transistor is in saturation. V<sub>CE</sub> = -0.5 V guarantees this condition.  
3. Noise tests on the MC33264 are made with a 0.01 μF capacitor connected across Pins 8 and 5.

## MC33264

**ELECTRICAL CHARACTERISTICS (continued)** ( $V_{in} = 6.0\text{ V}$ ,  $I_O = 10\text{ mA}$ ,  $C_O = 1.0\text{ }\mu\text{F}$ ,  $T_J = 25^\circ\text{C}$  (Note 1), unless otherwise noted.)

Characteristic	Symbol	Min	Typ	Max	Unit
$C_L = 100\text{ }\mu\text{F}$		-	46	-	

- NOTES:**
1. Low duty pulse techniques are used during test to maintain junction temperature as close to ambient as possible.
  2. Quiescent current is measured where the PNP pass transistor is in saturation.  $V_{CE} = -0.5\text{ V}$  guarantees this condition.
  3. Noise tests on the MC33264 are made with a  $0.01\text{ }\mu\text{F}$  capacitor connected across Pins 8 and 5.

**OBSOLETE**  
THIS DEVICE IS OBSOLETE  
PLEASE CONTACT YOUR ON SEMICONDUCTOR  
REPRESENTATIVE FOR INFORMATION

# MC33264

**ELECTRICAL CHARACTERISTICS (continued)** ( $V_{in} = 6.0\text{ V}$ ,  $I_O = 10\text{ mA}$ ,  $C_O = 1.0\text{ }\mu\text{F}$ ,  $T_J = 25^\circ\text{C}$  (Note 1), unless otherwise noted.)

Characteristic	Symbol	Min	Typ	Max	Unit
<b>ON/OFF INPUTS</b>					
On/Off Input (Pin 3 Tied to Ground) Logic "1" (Regulator ON) Logic "0" (Regulator OFF)	$V_{On/Off}$	2.4	–	$V_{in}$	V
		0	–	0.5	
On/Off Input (Pin 2 Tied to $V_{in}$ ) Logic "0" (Regulator ON) Logic "1" (Regulator OFF)		0	–	$V_{in} - 2.4$	
		$V_{in} - 0.2$	–	$V_{in}$	
On/Off Pin Input Current (Pin 3 Tied to Ground) $V_{On/Off} = 2.4\text{ V}$	$I_{On/Off}$	–	1.9	–	$\mu\text{A}$
On/Off Pin Input Current (Pin 2 Tied to $V_{in}$ ) $V_{On/Off} = V_{in} - 2.4\text{ V}$		–	12	–	

- NOTES:**  
 1. Low duty pulse techniques are used during test to maintain junction temperature as close to ambient as possible.  
 2. Quiescent current is measured where the PNP pass transistor is in saturation.  $V_{CE} = -0.5\text{ V}$  guarantees this condition.  
 3. Noise tests on the MC33264 are made with a  $0.01\text{ }\mu\text{F}$  capacitor connected across Pins 8 and 5.

## DEFINITIONS

**Dropout Voltage** – The input/output voltage differential at which the regulator output no longer maintains regulation against further reductions in input voltage. Measured when the output drops 100 mV below its nominal value (which is measured at 1.0 V differential), dropout voltage is affected by junction temperature, load current and minimum input supply requirements.

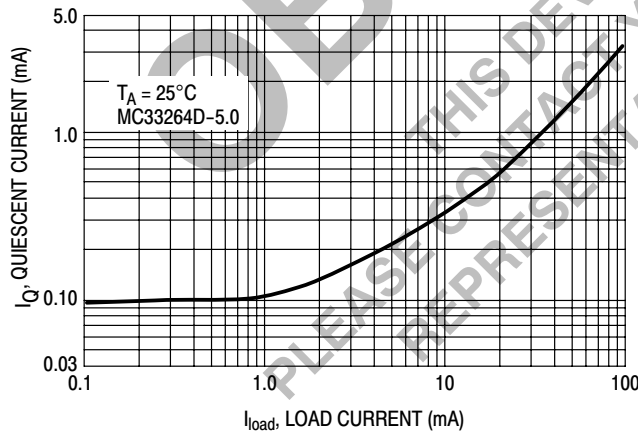
**Line Regulation** – The change in output voltage for a change in input voltage. The measurement is made under conditions of low dissipation or by using pulse techniques such that average chip temperature is not significantly affected.

**Load Regulation** – The change in output voltage for a change in load current at constant chip temperature.

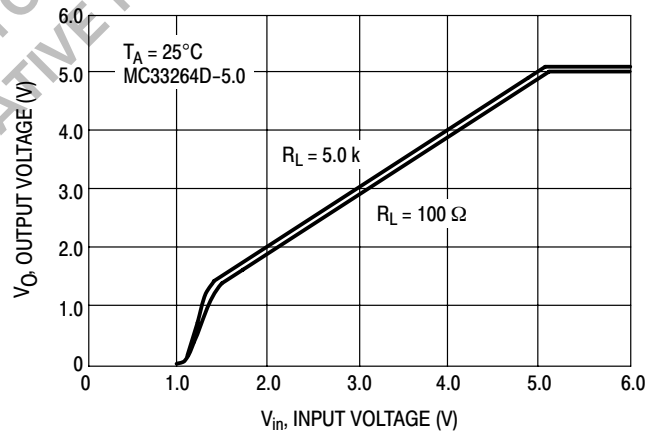
**Maximum Power Dissipation** – The maximum total device dissipation for which the regulator will operate within specifications.

**Quiescent Current** – Current which is used to operate the regulator chip and is not delivered to the load.

**Output Noise Voltage** – The rms ac voltage at the output, with constant load and no input ripple, measured over a specified frequency range.



**Figure 1. Quiescent Current versus Load Current**



**Figure 2. Output Voltage versus Input Voltage**

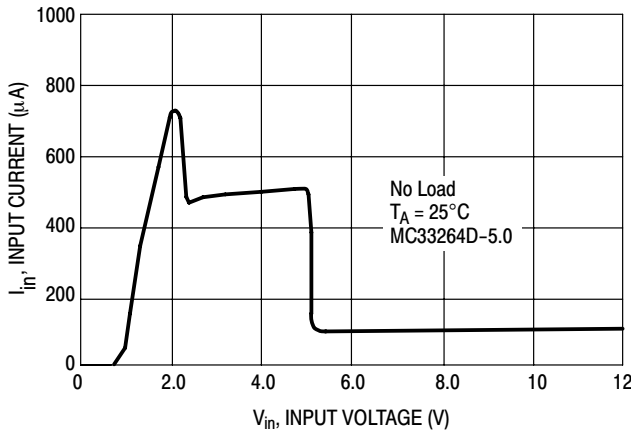


Figure 3. Input Current versus Input Voltage

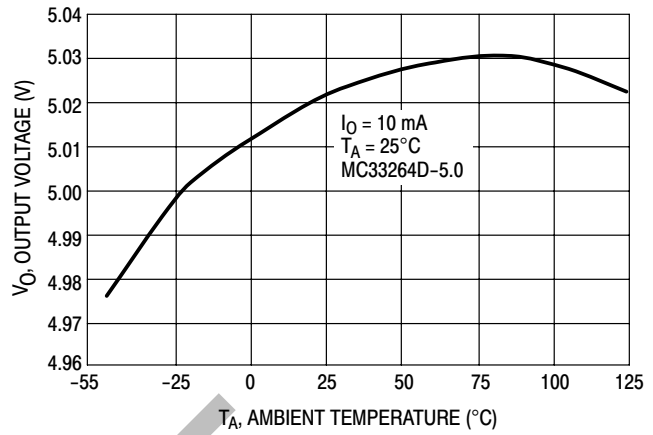


Figure 4. Output Voltage versus Temperature

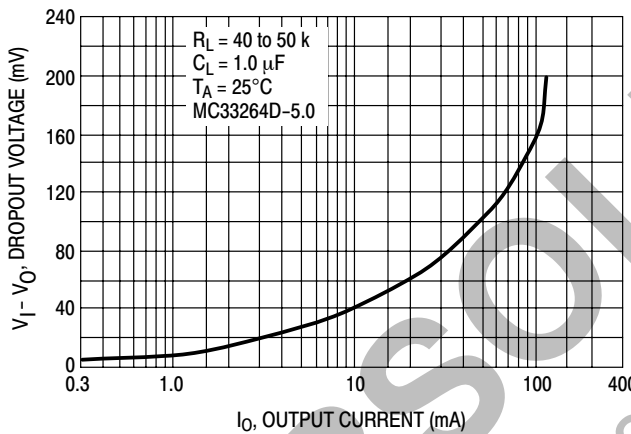


Figure 5. Dropout Voltage versus Output Current

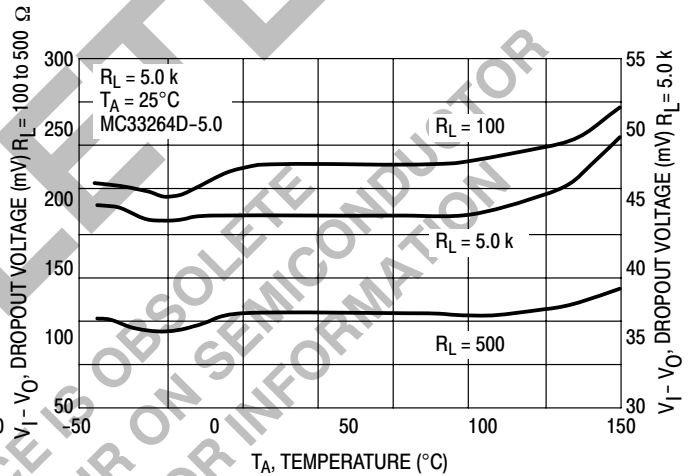


Figure 6. Dropout Voltage versus Temperature

APPLICATION INFORMATION

Introduction

The MC33264 regulators are designed with internal current limiting and thermal shutdown making them user-friendly. These regulators require only 0.33 μF (or greater) capacitance between the output terminal and ground for stability for 2.8 V, 3.0 V, 3.3 V and 3.8 V output voltage options. Output voltage options of 4.0 V, 4.75 V and 5.0 V require only 0.22 μF for stability. The output capacitor must be mounted as close to the MC33264 as possible. If the output capacitor must be mounted further than two centimeters away from the MC33264, then a larger value of output capacitor may be required for stability. A value of 0.68 μF or larger is recommended. Most types of aluminum, tantalum or multilayer ceramic will perform adequately. Solid tantalums or appropriate multilayer ceramic capacitors are recommended for operation below 25°C.

A bypass capacitor is recommended across the MC33264 input to ground if more than 4.0 inches of wire connects the input to either a battery or power supply filter capacitor.

On/Off Control

On/Off control of the regulator may be accomplished in either of two ways. Pin 3 may be tied to circuit ground and a positive logic control applied to Pin 2. The regulator will be turned on by a positive (>2.4 V) level, typically 5.0 V with respect to ground, sourcing a typical current of 6.0 μA. The regulator will turn off if the control input is a logic “0” (<0.5 V). Alternatively, Pin 2 may be tied to the regulator input voltage and a negative logic control applied to Pin 3. The regulator will be turned on when the control voltage is less than  $V_{in} - 2.4$  V, sinking a typical current of 18 μA when  $V_{in} = 6.0$  V. The regulator is off when the control input is open or greater than  $V_{in} - 0.2$  V.

Programming The Output Voltage

The MC33264 output voltage is automatically set using its internal voltage divider. Alternatively, it may be programmed within a typical ±15% range of its preset output voltage. An external pair of resistors is required, as shown in Figure 7.

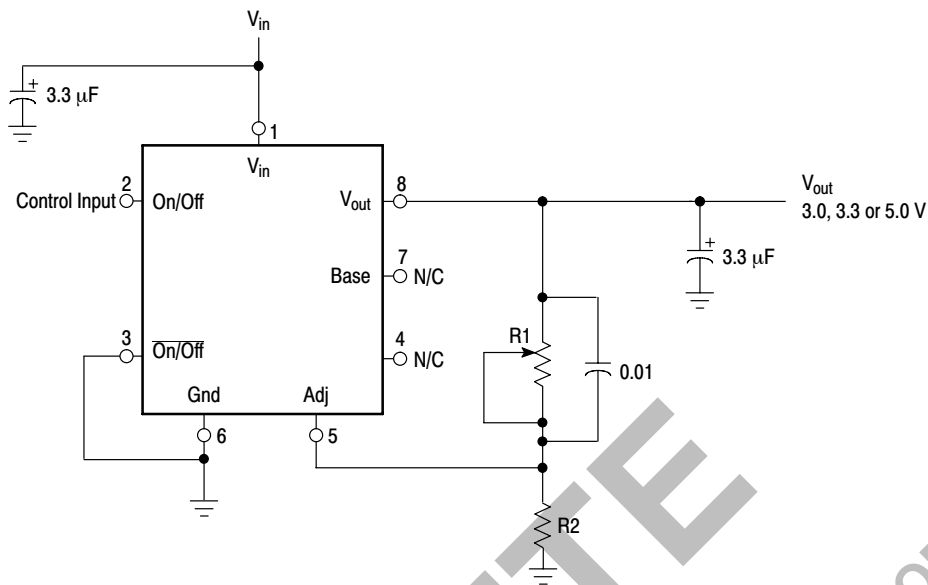


Figure 7. Regulator Output Voltage Trim

The complete equation for the output voltage is:

$$V_{out} = V_{ref} \left( 1 + \frac{R1}{R2} \right) + I_{FB} R1$$

where  $V_{ref}$  is the nominal 1.235 V reference voltage and  $I_{FB}$  is the feedback pin bias current, nominally  $-20$  nA. The minimum recommended load current of  $1.0$   $\mu$ A forces an upper limit of  $1.2$  M $\Omega$  on the value of R2, if the regulator must work with no load.  $I_{FB}$  will produce a 2% typical error in  $V_{out}$  which may be eliminated at room temperature by adjusting R1. For better accuracy, choosing R2 = 100 K reduces this error to 0.17% while increasing the resistor program current to 12  $\mu$ A.

**Output Noise**

In many applications it is desirable to reduce the noise present at the output. Reducing the regulator bandwidth by

increasing the size of the output capacitor is the only method for reducing noise.

Noise can be reduced fourfold by a bypass capacitor across R1, since it reduces the high frequency gain from 4 to unity for the MC33264D-5.0. Pick

$$C_{BYPASS} = \frac{1}{2\pi R1 \times 200 \text{ Hz}}$$

or about 0.01  $\mu$ F. When doing this, the output capacitor must be increased to 3.3  $\mu$ F to maintain stability. These changes reduce the output noise from 430  $\mu$ V to 100 Vrms for a 100 kHz bandwidth for the 5.0 V output device. With the bypass capacitor added, noise no longer scales with output voltage so that improvements are more dramatic at higher output voltages.

**TYPICAL APPLICATIONS**

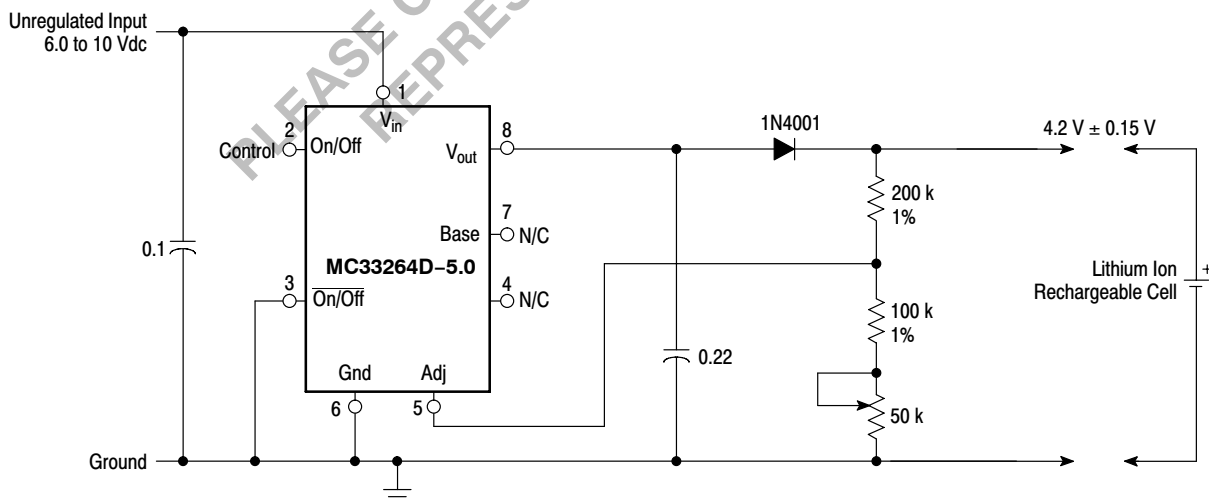


Figure 8. Lithium Ion Battery Cell Charger

# MC33264

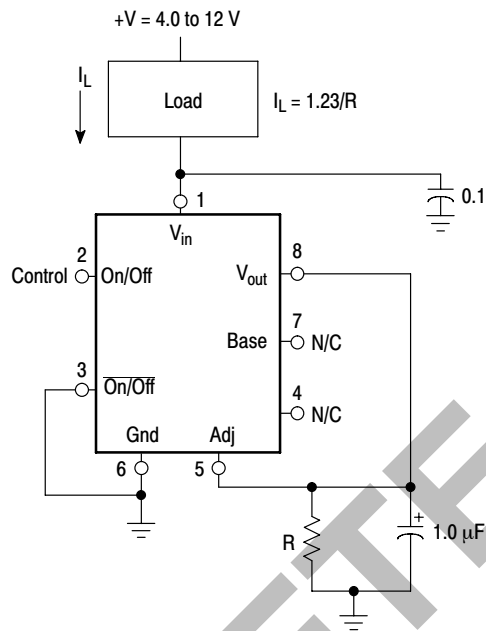


Figure 9. Low Drift Current Source

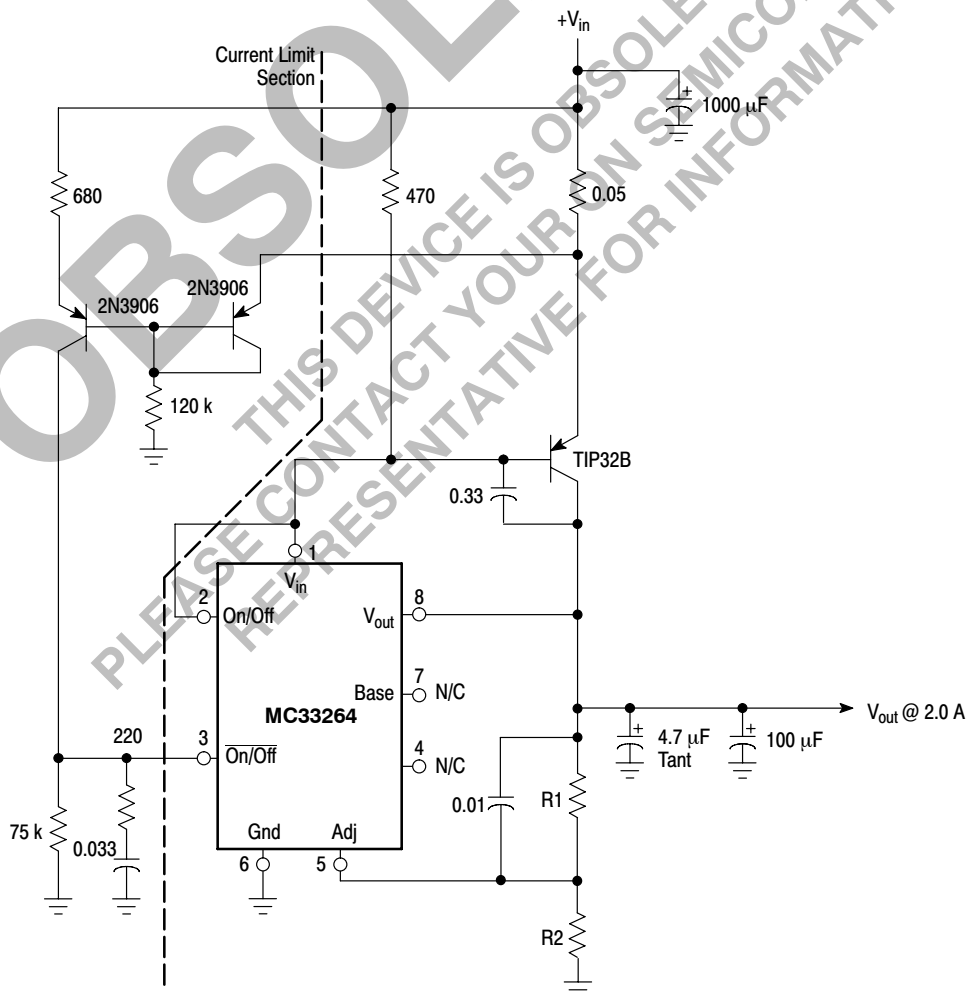


Figure 10. 2.0 Ampere Low Dropout Regulator

# MC33264

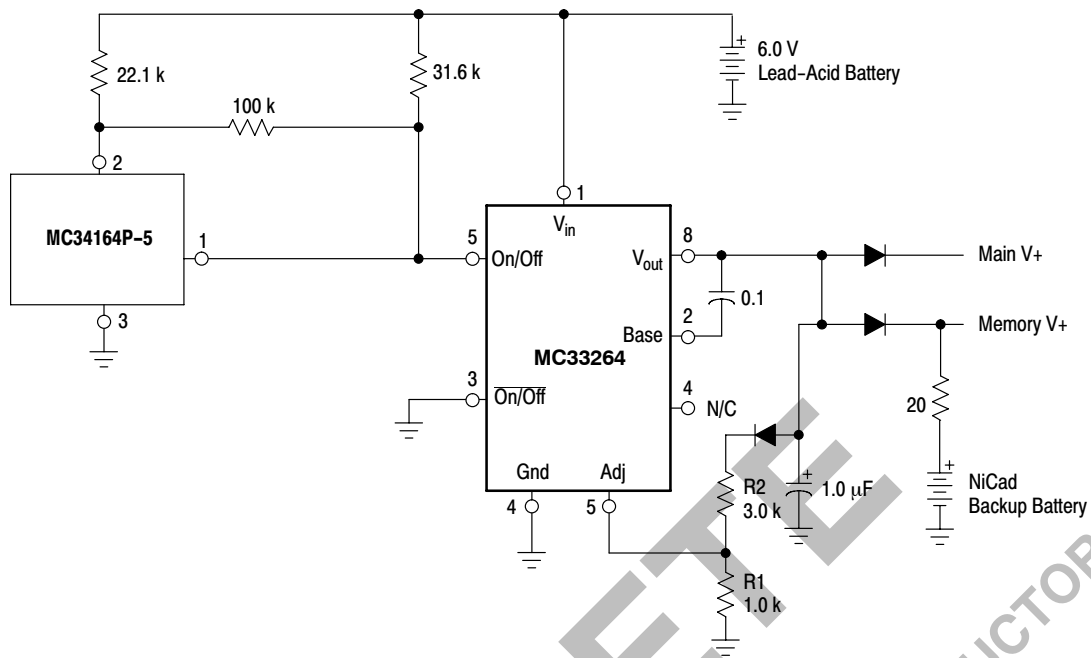


Figure 11. Low Battery Disconnect

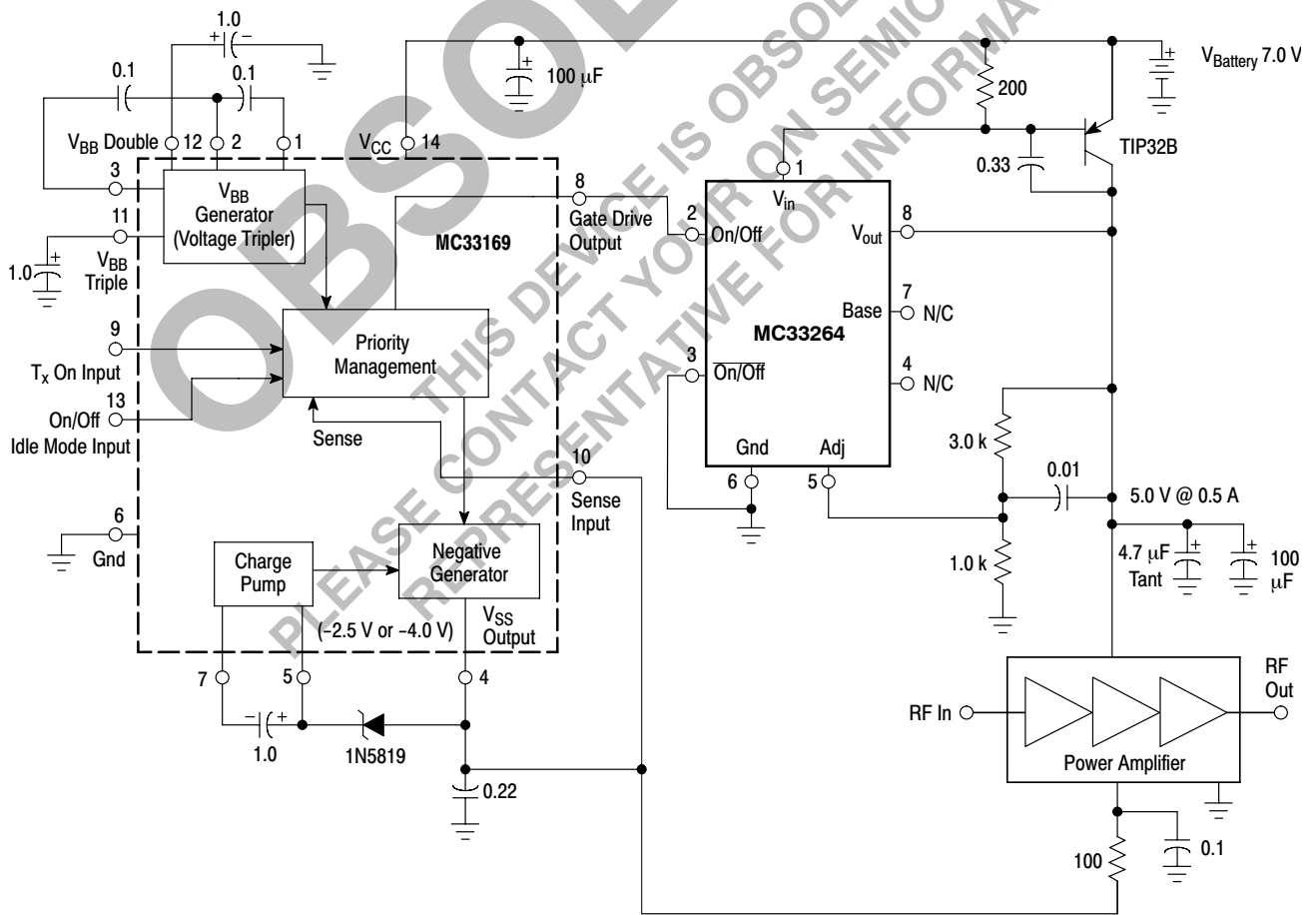


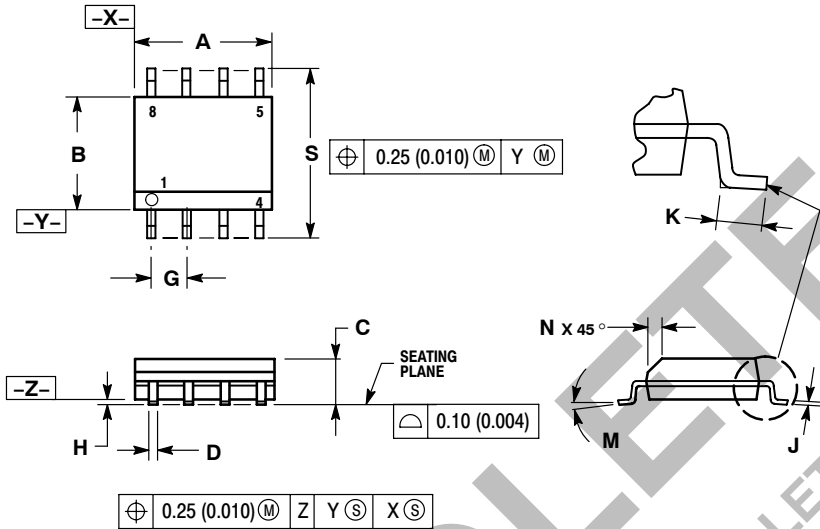
Figure 12. RF Amplifier Supply



# MC33264

## PACKAGE DIMENSIONS

### D SUFFIX PLASTIC PACKAGE CASE 751-07 (SO-8) ISSUE W

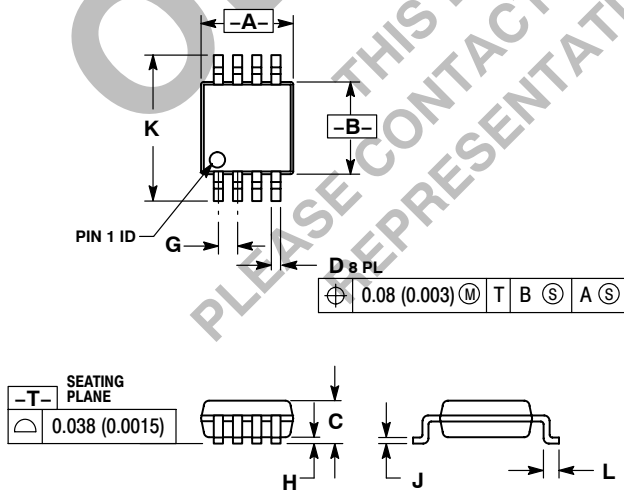


**NOTES:**

1. DIMENSIONING AND TOLERANCING PER ANSI Y14.5M, 1982.
2. CONTROLLING DIMENSION: MILLIMETER.
3. DIMENSION A AND B DO NOT INCLUDE MOLD PROTRUSION.
4. MAXIMUM MOLD PROTRUSION 0.15 (0.006) PER SIDE.
5. DIMENSION D DOES NOT INCLUDE DAMBAR PROTRUSION. ALLOWABLE DAMBAR PROTRUSION SHALL BE 0.127 (0.005) TOTAL IN EXCESS OF THE D DIMENSION AT MAXIMUM MATERIAL CONDITION.

DIM	MILLIMETERS		INCHES	
	MIN	MAX	MIN	MAX
A	4.80	5.00	0.189	0.197
B	3.80	4.00	0.150	0.157
C	1.35	1.75	0.053	0.069
D	0.33	0.51	0.013	0.020
G	1.27 BSC		0.050 BSC	
H	0.10	0.25	0.004	0.010
J	0.19	0.25	0.007	0.010
K	0.40	1.27	0.016	0.050
M	0°	8°	0°	8°
N	0.25	0.50	0.010	0.020
S	5.80	6.20	0.228	0.244

### DM SUFFIX PLASTIC PACKAGE CASE 846A-02 (Micro-8) ISSUE E



**NOTES:**

1. DIMENSIONING AND TOLERANCING PER ANSI Y14.5M, 1982.
2. CONTROLLING DIMENSION: MILLIMETER.
3. DIMENSION A DOES NOT INCLUDE MOLD FLASH, PROTRUSIONS OR GATE BURRS. MOLD FLASH, PROTRUSIONS OR GATE BURRS SHALL NOT EXCEED 0.15 (0.006) PER SIDE.
4. DIMENSION B DOES NOT INCLUDE INTERLEAD FLASH OR PROTRUSION. INTERLEAD FLASH OR PROTRUSION SHALL NOT EXCEED 0.25 (0.010) PER SIDE.

DIM	MILLIMETERS		INCHES	
	MIN	MAX	MIN	MAX
A	2.90	3.10	0.114	0.122
B	2.90	3.10	0.114	0.122
C	---	1.10	---	0.043
D	0.25	0.40	0.010	0.016
G	0.65 BSC		0.026 BSC	
H	0.05	0.15	0.002	0.006
J	0.13	0.23	0.005	0.009
K	4.75	5.05	0.187	0.199
L	0.40	0.70	0.016	0.028

**OBSOLETE**  
 THIS DEVICE IS OBSOLETE  
 PLEASE CONTACT YOUR ON SEMICONDUCTOR  
 REPRESENTATIVE FOR INFORMATION

**ON Semiconductor** and **ON** are registered trademarks of Semiconductor Components Industries, LLC (SCILLC). SCILLC reserves the right to make changes without further notice to any products herein. SCILLC makes no warranty, representation or guarantee regarding the suitability of its products for any particular purpose, nor does SCILLC assume any liability arising out of the application or use of any product or circuit, and specifically disclaims any and all liability, including without limitation special, consequential or incidental damages. "Typical" parameters which may be provided in SCILLC data sheets and/or specifications can and do vary in different applications and actual performance may vary over time. All operating parameters, including "Typicals" must be validated for each customer application by customer's technical experts. SCILLC does not convey any license under its patent rights nor the rights of others. SCILLC products are not designed, intended, or authorized for use as components in systems intended for surgical implant into the body, or other applications intended to support or sustain life, or for any other application in which the failure of the SCILLC product could create a situation where personal injury or death may occur. Should Buyer purchase or use SCILLC products for any such unintended or unauthorized application, Buyer shall indemnify and hold SCILLC and its officers, employees, subsidiaries, affiliates, and distributors harmless against all claims, costs, damages, and expenses, and reasonable attorney fees arising out of, directly or indirectly, any claim of personal injury or death associated with such unintended or unauthorized use, even if such claim alleges that SCILLC was negligent regarding the design or manufacture of the part. SCILLC is an Equal Opportunity/Affirmative Action Employer. This literature is subject to all applicable copyright laws and is not for resale in any manner.

#### PUBLICATION ORDERING INFORMATION

##### LITERATURE FULFILLMENT:

Literature Distribution Center for ON Semiconductor  
 P.O. Box 5163, Denver, Colorado 80217 USA  
**Phone:** 303-675-2175 or 800-344-3860 Toll Free USA/Canada  
**Fax:** 303-675-2176 or 800-344-3867 Toll Free USA/Canada  
**Email:** orderlit@onsemi.com

**N. American Technical Support:** 800-282-9855 Toll Free  
 USA/Canada  
**Europe, Middle East and Africa Technical Support:**  
 Phone: 421 33 790 2910  
**Japan Customer Focus Center**  
 Phone: 81-3-5773-3850

**ON Semiconductor Website:** [www.onsemi.com](http://www.onsemi.com)

**Order Literature:** <http://www.onsemi.com/orderlit>

For additional information, please contact your local Sales Representative