

- **Single-Chip Frequency-Shift-Keying (FSK) Modem**
- **Meet Both Bell 202 and CCITT V23 Specifications**
- **Transmit Modulation at 75, 150, 600, and 1200 Baud**
- **Receive Demodulation at 5, 75, 150, 600, and 1200 Baud**
- **Half-Duplex Operation Up to 1200 Baud Transmit and Receive**
- **Full-Duplex Operation Up to 1200 Baud Transmit and 150 Baud Receive**
- **On-Chip Group Equalization and Transmit/Receive Filtering**
- **Carrier-Detect-Level Adjustment and Carrier-Fail Output**
- **Single 5-V Power Supply**
- **Low Power Consumption**
- **Reliable CMOS Silicon-Gate Technology**

description

The TCM3105 is a single-chip asynchronous frequency-shift-keying (FSK) voice-band modem that uses silicon-gate CMOS technology to implement a switched-capacitor architecture. It is pin selectable (TXR1, TXR2, and TRS) for a wide range of transmit/receive baud rates and is compatible with the applicable BELL 202 or CCITT V23 standards. Operation is fully reversible, thereby allowing both forward and backward channels to be used simultaneously.

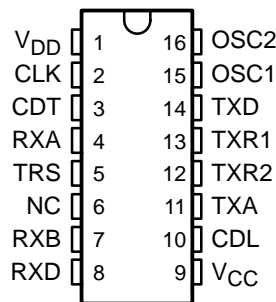
The transmitter is a programmable frequency synthesizer that provides two output frequencies (on TXA), representing the marks and spaces of the digital signal present on TXD.

The receive section is responsible for the demodulation of the analog signal appearing at the RXA input and is based on the principle of frequency-to-voltage conversion. This section contains a group delay equalizer (to correct phase distortion), automatic gain control, carrier-detect-level adjustment, and bias-distortion adjustment, thereby optimizing performance and giving the lowest possible bit error rate.

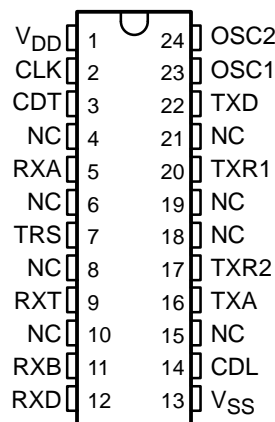
Carrier-detect information is given to the system by means of the carrier-detect circuits, which set a flag on the CDT output if the level of received in-band energy falls below a value set on the CDL input for a specified minimum duration.

The TCM3105JE and TCM3105NE are characterized for operation from -40°C to 85°C. The TCM3105DWL, TCM3105JL, and TCM3105NL are characterized for operation from 0°C to 70°C.

**J OR N PACKAGE
(TOP VIEW)**



**DW PACKAGE
(TOP VIEW)**



NC – No internal connection

D package are available taped and reeled. Add the R suffix to device type (e.g., YCM3105DWLR).



Caution. These devices have limited built-in protection. The leads should be shorted together or the device placed in conductive foam during storage or handling to prevent electrostatic damage to the MOS gates.

PRODUCTION DATA information is current as of publication date. Products conform to specifications per the terms of Texas Instruments standard warranty. Production processing does not necessarily include testing of all parameters.



TCM3105DWL, TCM3105JE, TCM3105JL
 TCM3105NE, TCM3105NL
FSK MODEM

SCTS019C – NOVEMBER 1985 – REVISED MAY 1994

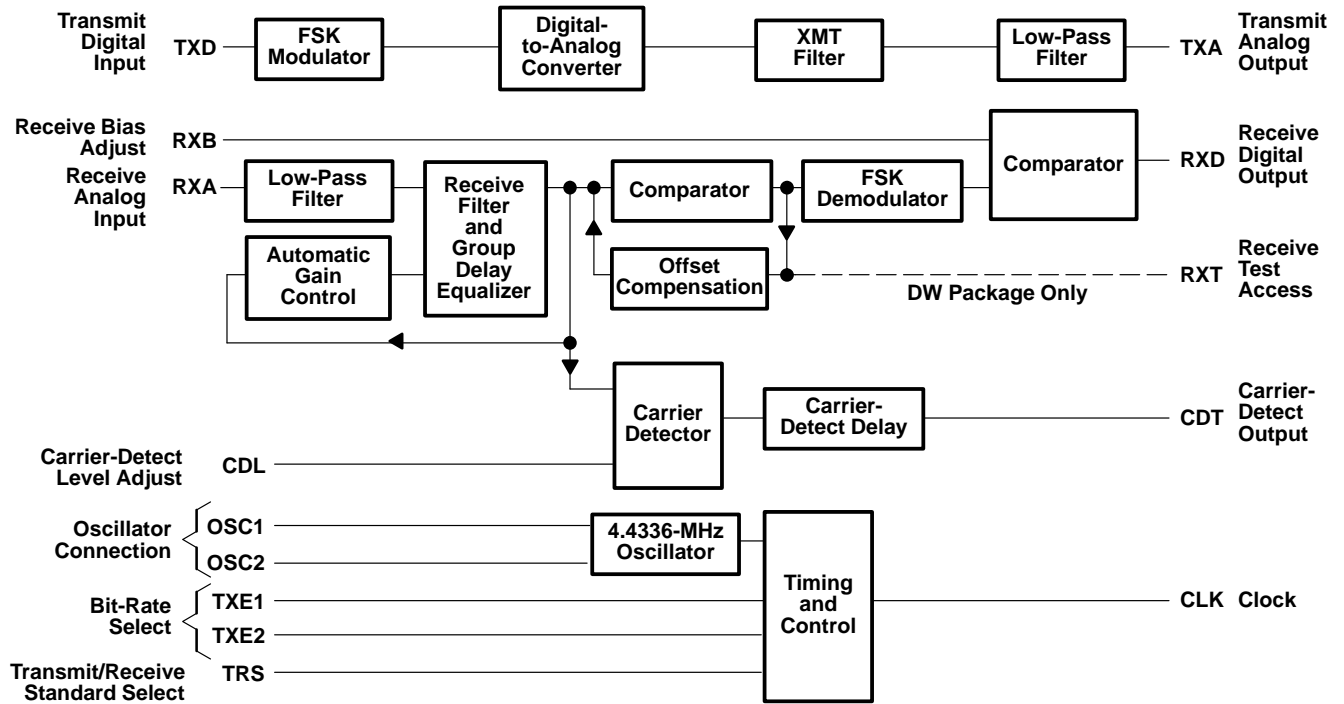
Terminal Functions

TERMINAL			DESCRIPTION
NAME	NO.		
	DW	J OR N	
CDL	14	10	Carrier-detect-level adjust for external adjustment of carrier-detect threshold
CDT	3	3	Carrier-detect output. A low-level output indicates carrier failure
CLK	2	2	Output for a continuous clock signal at 16 times the highest selected (transmit or receive) bit rate
NC	4, 6, 8, 10, 15, 18, 19, 21	6	No internal connection
OSC1, OSC2	23, 24	15, 16	Oscillator connections. The crystal (typically 4.4336 MHz) is connected to OSC1 AND OSC2. If an external clock is used, OSC2 is left open and the clock is connected to OSC1.
RXA	5	4	Receive analog input to which the received line signal must be ac coupled
RXB	11	7	Receive bias adjust for external adjustment of the decision threshold of the comparator to minimize bias distortion
RXD	12	8	Receiver digital output for the demodulated received data in positive logic. The high logic level is a mark and the low logic level is a space.
RXT	9	–	Receive test access. Output of limiter is available on RXT. (DW only)
TRS	7	5	Transmit/receive standard select input, which with TXR1 and TXR2, sets the standard bit rates and mark/space frequencies
TXA	16	11	Transmit analog output for the modulation signal, which must be ac coupled
TXD	22	14	Transmit digital input for data to the transmitter in positive logic. The high logic level is a mark, and the low logic level is a space. The data can be accepted at any speed from zero to the selected speed and may be totally asynchronous.
TXR1	20	13	Bit-rate select 1 input which along with TXR2 and TRS, sets the bit rates and mark/space frequencies
TXR2	17	12	Bit rate select 2 input, which along with TXR1 and TRS, sets the bit rates and mark/space frequencies
V _{DD}	1	1	Positive supply voltage
V _{SS}	13	9	Most negative supply voltage (normally ground); connected to substrate

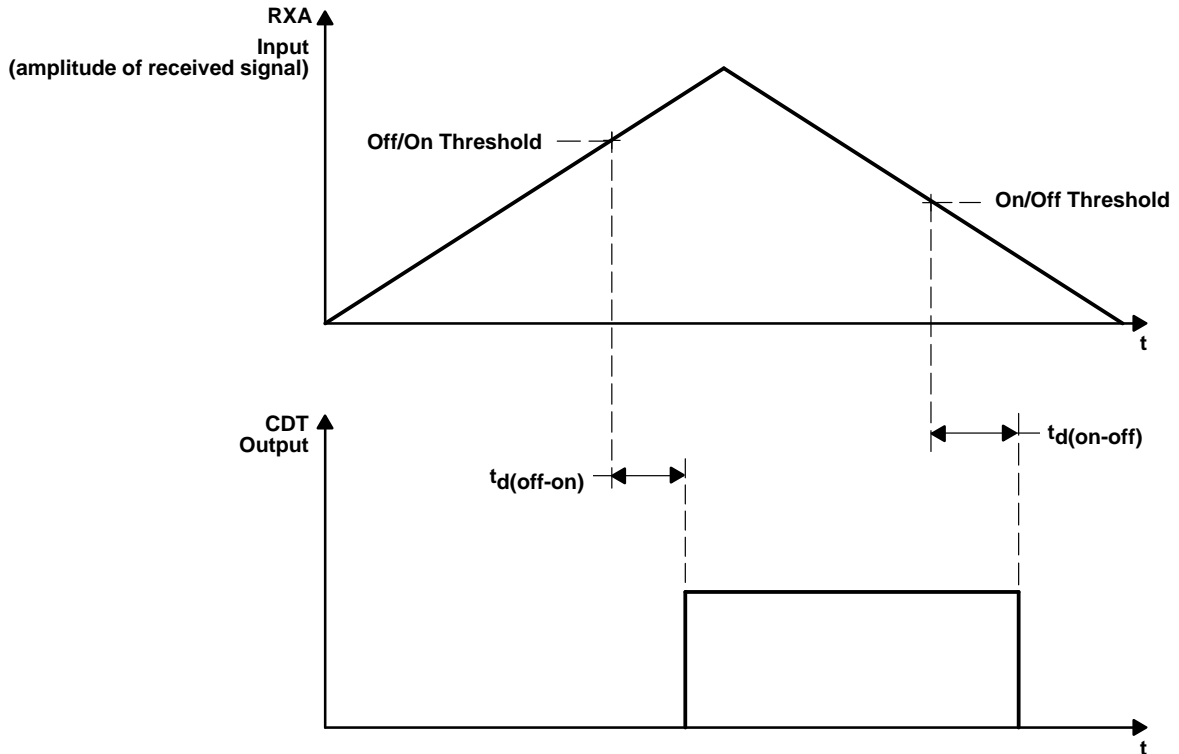


POST OFFICE BOX 655303 • DALLAS, TEXAS 75265
 POST OFFICE BOX 1443 • HOUSTON, TEXAS 77251-1443

functional block diagram



timing diagram



**TCM3105DWL, TCM3105JE, TCM3105JL
TCM3105NE, TCM3105NL
FSK MODEM**

SCTS019C – NOVEMBER 1985 – REVISED MAY 1994

absolute maximum ratings over operating free-air temperature range (unless otherwise noted)

Supply voltage range, V_{DD} (see Note 1)	–0.3 V to 10 V
Input voltage range, V_I (any input)	–0.3 V to V_{DD}
Operating free-air temperature range, T_A : TCM3105DWL, TCM3105JL, TCM3105NL	–10°C to 70°C
TCM3105JE, TCM3105NE	–55°C to 85°C
Storage temperature range:	–55°C to 150°C
Lead temperature 1,6 mm (1/16 inch) from case for 10 seconds: DW or N package	260°C
Lead temperature 1,6 mm (1/16 inch) from case for 10 seconds: J package	300°C

NOTE 1: Voltage values are with respect to V_{SS} .

recommended operating conditions

	TCM3105JE TCM3105NE			TCM3105DWL TCM3105JL TCM3105NL			UNIT
	MIN	NOM	MAX	MIN	NOM	MAX	
Supply voltage, V_{DD}	4	5	5.5	4	5	5.5	V
High-level input voltage, V_{IH}	2		V_{DD}	2		V_{DD}	V
Low-level input voltage, V_{IL}	0		0.8	0		0.8	V
Analog input level, peak to peak (ac coupled)		0.3	0.78		0.3	0.78	V
Clock frequency, f_{clock}	4.4334	4.4336	4.4338	4.4334	4.4336	4.4338	MHz
Analog load impedance at TXA	50			50			k Ω
Operating free-air temperature range, T_A	–40		85	0		70	°C



POST OFFICE BOX 655303 • DALLAS, TEXAS 75265
POST OFFICE BOX 1443 • HOUSTON, TEXAS 77251-1443

electrical characteristics over recommended operating free-air temperature range (unless otherwise noted)

PARAMETER		TEST CONDITIONS	TCM3105JE TCM3105NE			TCM3105DWL TCM3105JL TCM3105NL			UNIT		
			MIN	TYP†	MAX	MIN	TYP†	MAX			
V _{OH}	High-level output voltage	RXD, CDT, CLK I _{OH} = -100 µA	2.4		V _{DD}	2.4		V _{DD}	V		
V _{OL}	Low-level output voltage	RXD, CDT, CLK I _{OL} = 1.6 mA	V _{SS}		0.4	V _{SS}		0.4	V		
	Analog output voltage level, peak to peak	TXA R _L = 50 kΩ, R _L = 100 pF	V _{DD} = 4 V		1.55		1.55		V		
			V _{DD} = 5 V		1.4	1.9	2.3	1.4		1.9	2.3
			V _{DD} = 5.5 V		2.1		2.1				
Adjust voltage	RXB	V _{DD} = 5 V	2.3	2.7	3.1	2.3	2.7	3.1	V		
	CDL		2.8	3.3	3.9	2.8	3.3	3.9			
	Analog output dc offset	TXA	V _{DD} /2			V _{DD} /2			V		
	Digital input current	TXD, TRS, TRX1, TRX2 V _I = 0 to V _{DD}	±1			±1			µA		
	Analog input current	RXA	±15			±15			µA		
	Bias input current	RXB, CDL V _I = 3 V	±150			±150			µA		
I _{DD}	Supply current	V _{DD} = 4 V	3		6		3		5		
		V _{DD} = 5 V	5		10		5		8		
		V _{DD} = 5.5 V	8		16		8		12		
C _i	Input capacitance, all inputs	f = 1 MHz	10			10			pF		
C _o	Output capacitance, all inputs	f = 1 MHz	10			10			pF		
	Phase jitter		200			200			µs		
	Bias distortion‡		±15%			±15%					
	Carrier-detect threshold, off/on§		-45.5		-43	-45.5		-43	dBm		
	Carrier-detect threshold, on/off§		-48		-45.5	-48		-45.5	dBm		
	Carrier-detect hysteresis		2.5	2.8		2.5	2.8		dBm		

switching characteristics over recommended operating free-air temperature range (unless otherwise noted)

PARAMETER		TEST CONDITIONS	TCM3105JE TCM3105NE			TCM3105DWL TCM3105JL TCM3105NL			UNIT
			MIN	TYP†	MAX	MIN	TYP†	MAX	
t _{d(off-on)}	Carrier-detect off-to-on delay time	RX = 600 or 1200 b/s	12		25	12		25	ms
		RX = 5, 75, or 150 b/s	48		80	48		80	
t _{d(on-off)}	Carrier-detect on-to-off delay time	RX = 600 or 1200 b/s	12		20	12		20	ms
		RX = 5, 75, or 150 b/s	48		75	48		75	
	Transmit frequency deviation from assignment (see Table 1)	f _{clock} = 4.4336 MHz	±1			±1			Hz

† All typical are at V_{CC} = 5 V, T_A = 25°C.

‡ Bias distortion is the departure from a 50% duty cycle when a series of alternating mark and space tones is received.

§ This is the threshold with the CDL input properly adjusted.



PRINCIPLES OF OPERATION

The TCM3105 FSK modem is made up of four functional circuits. The circuits are the transmitter, the receiver, a carrier detector, and control and timing (see Figure 1).

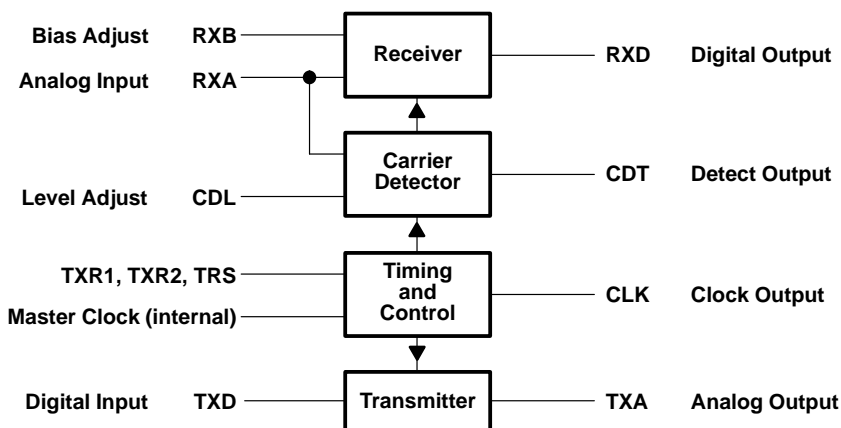


Figure 1. TCM3105 System Partitioning

transmitter

The transmitter comprises a phase-coherent FSK modulator, a transmit filter, and a transmit amplifier. The modulator is a programmable frequency synthesizer that drives the output frequencies by variable division of the oscillator frequency (4.4336 MHz). The division ratio is set by the states of the transmit/receive standard input (TRS), the bit-rate select inputs (TXR1 and TXR2), and the digital data input (TXD).

A switched-capacitor low-pass filter limits the harmonics and noise outside the transmit band, and the characteristics of this filter are set by the frequency-select inputs as previously described. The harmonics introduced by the transmit filter clock are removed by a continuous low-pass filter.

The transmitter output level varies with power supply voltage and so must be compensated in the 2-wire to 4-wire converter to give a constant output level to the line.

receiver

A continuous low-pass antialiasing filter is followed by the receiver amplifier, which automatically controls the gain to give a constant output level from the receiver filter. The receiver filter limits the bandwidth of the signal presented to the demodulator reducing out-of-band interference and has very high rejection of the transmit channel frequencies. These are typically present at much higher levels than the received signal.

The group delay equalizer is a switched-capacitor network that compensates the delay introduced by the receiver filter and the network. The output from the equalizer is then limited to give an FSK modulated squarewave that is presented to the demodulator.

The demodulator is an edge-triggered multivibrator that triggers off positive- and negative-going edges. The output of the demodulator is a stream of constant-length pulses at a frequency that is double the frequency of the limited input signal. The dc component of this signal is proportional to the received frequency and is extracted by a switched-capacitor, low-pass, post-demodulator filter.

The variation of dc level with received frequency is presented to a comparator that slices at a level externally fixed by the RXB bias-adjustment pin. This voltage depends on received bit rate and internal offsets. The comparator output is then the received data at RXD.

carrier detect

The carrier-detect circuits comprise an energy detector and digital delay. The energy detector compares the total signal level at the output of the receive filter to an externally set threshold level on the CDL input. The comparator has a 2.5-dB hysteresis and a delay to allow for momentary signal loss and to prevent oscillation. The output detector is available on CDT where a high level indicates that a carrier is present. The data output is clamped to a mark condition when the carrier-detect output switches off at the end of transmission.

control and timing

An on-chip oscillator runs from an external 4.4336-MHz crystal connected between OSC1 and OSC2 or an external signal driving OSC1. A clock signal equal to 16 times the highest selected bit rate (transmit or receive) is available on the CLK output.

The single-supply rail means that all analog functions are referenced to an internally generated reference. All analog inputs and outputs must be ac coupled.

transmit and receive modes

The various modes of operation of the TCM3105 are given in Table 1. The data convention is that a logic high is a mark and a logic low is a space.



TCM3105DWL, TCM3105JE, TCM3105JL
 TCM3105NE, TCM3105NL
FSK MODEM

SCTS019C – NOVEMBER 1985 – REVISED MAY 1994

Table 1. Modes of Operation

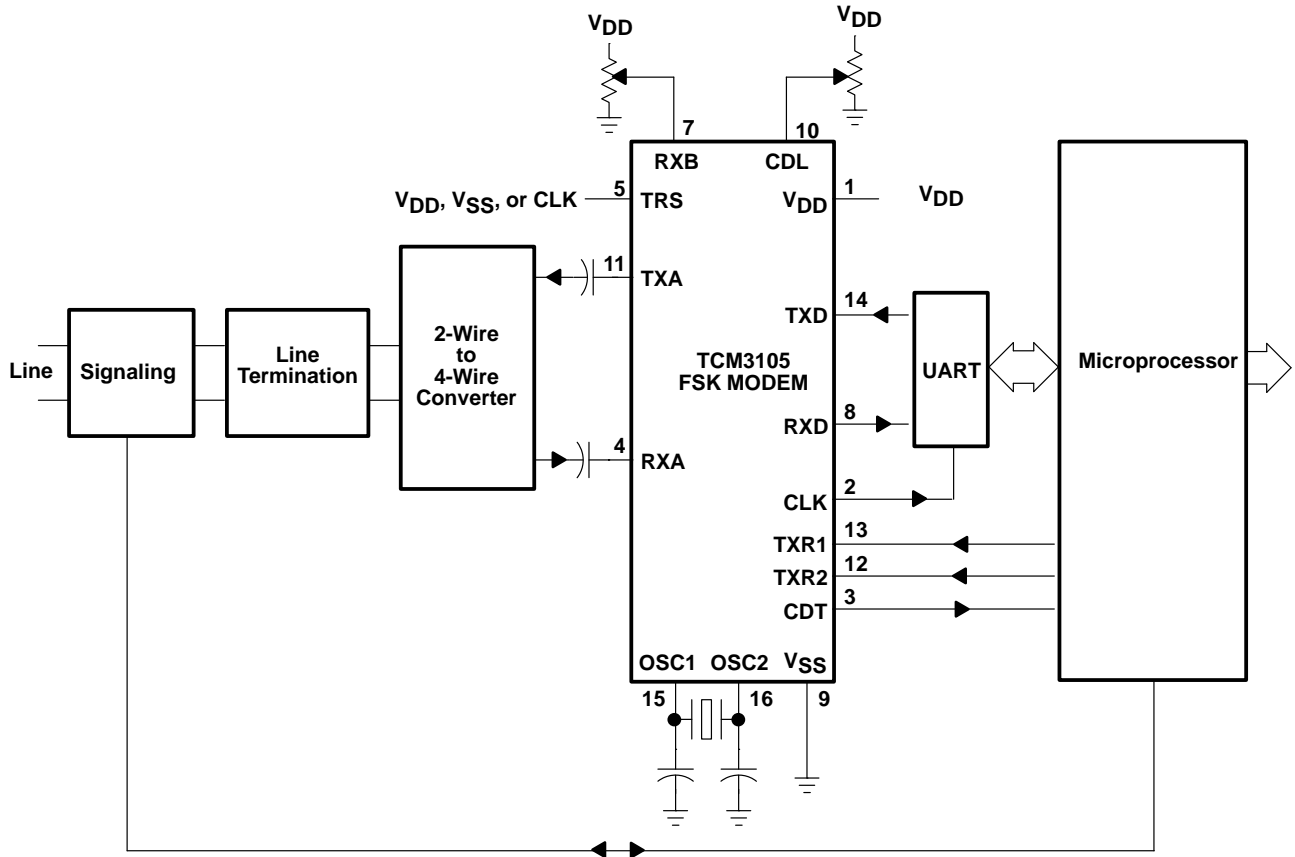
STANDARD	TRS	TXR1	TXR2	TRANSMITTED BAUD RATE	RECEIVED BAUD RATE	TRANSMIT FREQUENCY ASSIGNMENTS (Hz)	RECEIVE FREQUENCY ASSIGNMENTS (Hz)	CLK FREQUENCY (kHz)
CCITT V.23	L	L	L	1200	1200	M 1300 S 2100	M 1300 S 2100	19.11
	H	L	L	1200	75	M 1300 S 2100	M 390 S 450	19.11
	L	L	H	600	75	M 1300 S 1700	M 390 S 450	9.56
	H	L	H	600	600	M 1300 S 1700	M 1300 S 1700	9.56
	L	H	L	75	1200	M 390 S 450	M 1300 S 2100	19.11
	H	H	L	75	600	M 390 S 450	M 1300 S 1700	9.56
	L	H	H	75	75	M 390 S 450	M 390 S 450	1.19
BELL 202	$\overline{\text{CLK}}$	L	L	1200	1200	M 1200 S 2200	M 1200 S 2200	19.11
	$\overline{\text{CLK}}/8$	L	H	1200	150	M 1200 S 2200	M 387 S 487	19.11
	$\overline{\text{CLK}}/8$	L	H	1200	5	M 1200 S 2200	M 387 S 0	19.11
	CLK	H	L	150	1200	M 387 S 487	M 1200 S 2200	19.11
	CLK	H	H	150	150	M 387 S 487	M 387 S 487	2.39
	CLK† H†	H† H†	L† H†	5	1200	M 387	M 1200 S 2200	19.11
						S 0		
	H	H	H	Transmit Disabled	1200	Transmit Disabled	M 1200 S 2200	19.11

H = high level, L = low level

† In these modes, the modulation is controlled by TRS and TXR2. TXD is tied high.



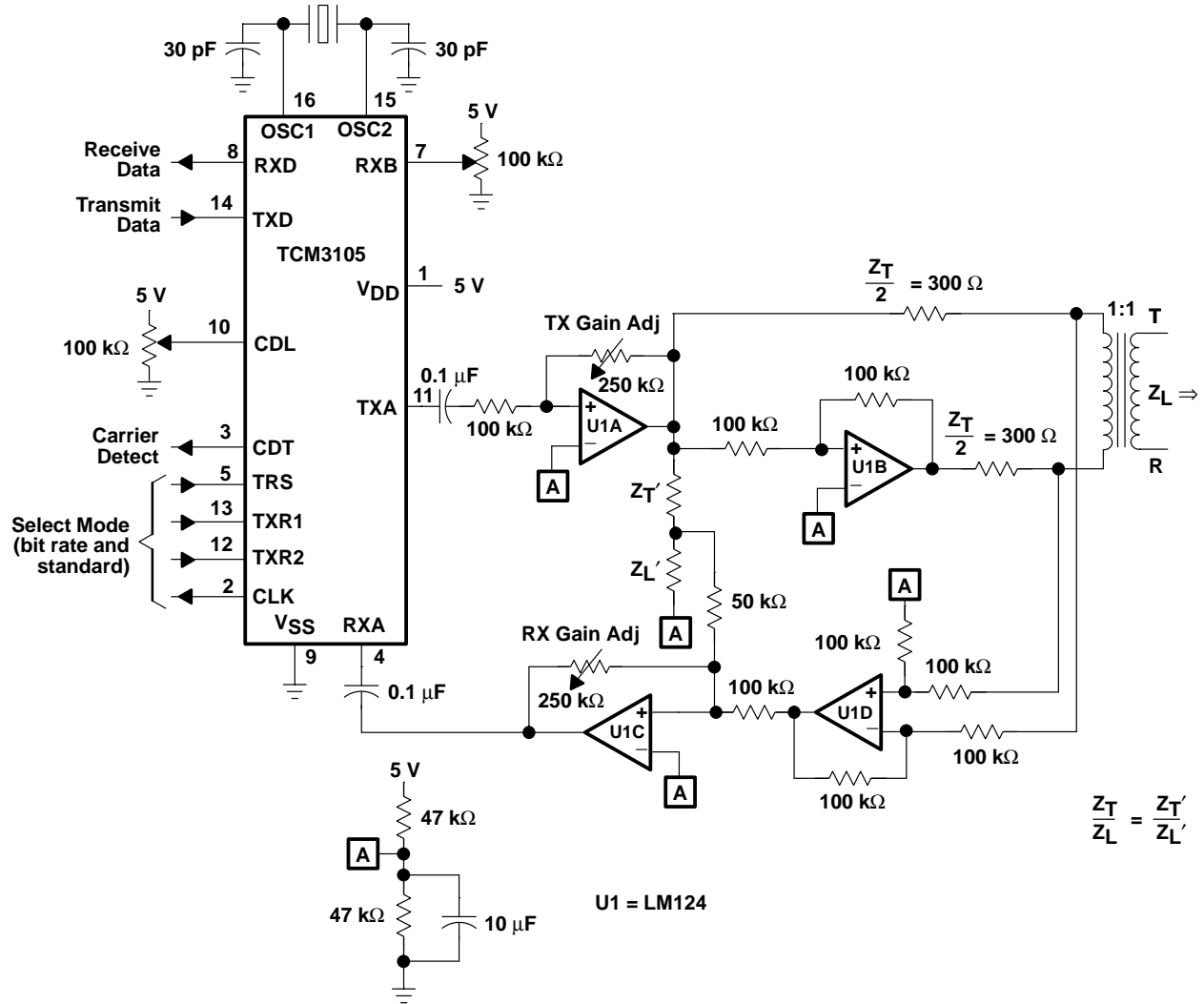
APPLICATION INFORMATION



Pin numbers shown are for the J and N packages.

Figure 2. Typical System Configuration

APPLICATION INFORMATION



Pin numbers shown are for the J and N packages.

Figure 3. Telephone Line Interface Circuit

APPLICATION INFORMATION

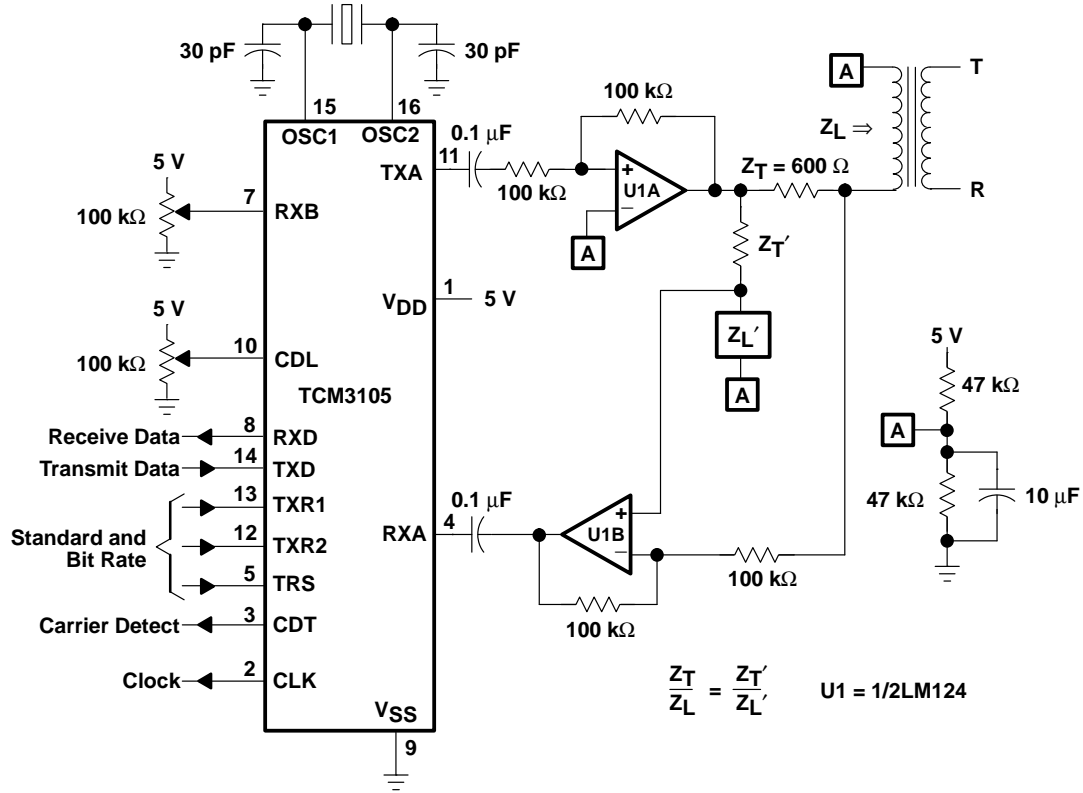


Figure 4. Simplified Telephone Line Interface Circuit

IMPORTANT NOTICE

Texas Instruments (TI) reserves the right to make changes to its products or to discontinue any semiconductor product or service without notice, and advises its customers to obtain the latest version of relevant information to verify, before placing orders, that the information being relied on is current.

TI warrants performance of its semiconductor products and related software to the specifications applicable at the time of sale in accordance with TI's standard warranty. Testing and other quality control techniques are utilized to the extent TI deems necessary to support this warranty. Specific testing of all parameters of each device is not necessarily performed, except those mandated by government requirements.

Certain applications using semiconductor products may involve potential risks of death, personal injury, or severe property or environmental damage ("Critical Applications").

TI SEMICONDUCTOR PRODUCTS ARE NOT DESIGNED, INTENDED, AUTHORIZED, OR WARRANTED TO BE SUITABLE FOR USE IN LIFE-SUPPORT APPLICATIONS, DEVICES OR SYSTEMS OR OTHER CRITICAL APPLICATIONS.

Inclusion of TI products in such applications is understood to be fully at the risk of the customer. Use of TI products in such applications requires the written approval of an appropriate TI officer. Questions concerning potential risk applications should be directed to TI through a local SC sales office.

In order to minimize risks associated with the customer's applications, adequate design and operating safeguards should be provided by the customer to minimize inherent or procedural hazards.

TI assumes no liability for applications assistance, customer product design, software performance, or infringement of patents or services described herein. Nor does TI warrant or represent that any license, either express or implied, is granted under any patent right, copyright, mask work right, or other intellectual property right of TI covering or relating to any combination, machine, or process in which such semiconductor products or services might be or are used.

Copyright © 1995, Texas Instruments Incorporated