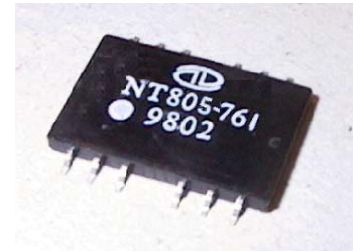


PCMCIA 10/100 Base-TX High Speed LAN Magnetic Modules For Various Transceiver ICs

- Designed to meet IEEE 802.3 and ANSI X3.263 standard including 350uH OCL with 8 mA bias
- Excellent EMI and Differential to Common Mode Rejection performance
- Designed to meet IR reflow at 235 Degree C peak temperature
- PCMCIA low profile 0.094" transfer molded package
- Custom design with other pinouts and packages are available

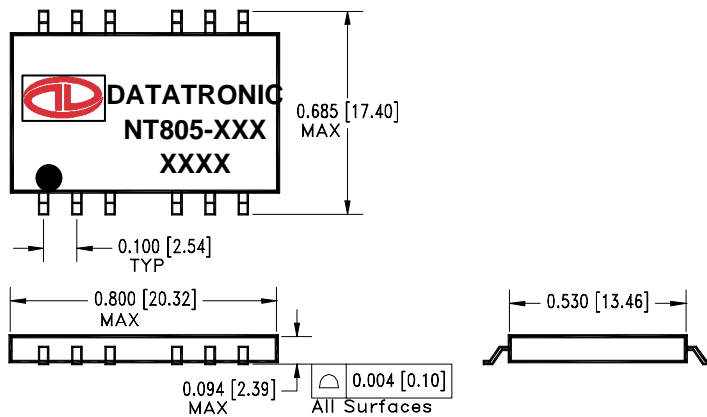


Operating Temperature: -25°C to +55°C. Storage Temperature: -55°C to +80°C.

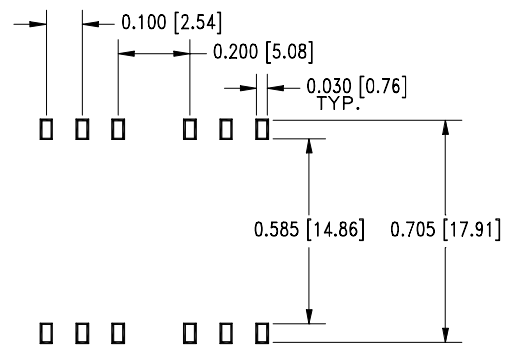
Electrical Specifications at 25°C:

Part Number	Turn Ratio (+/-5%)		Insertion Loss dB Max 0.1-100MHz	Differential to Common Mode Rejection dB (Typ.)			Return Loss dB (Typ.)			Crosstalk dB (Typ.) 1-100MHz	Hipot Vrms min
	Xmit	Rcv		30MHz	50MHz	100MHz	30MHz	60MHz	80MHz		
NT805-711	1CT:1CT	1CT:1CT	-1.1	-40	-35	-30	-18	-13	-11	-40	1500
NT805-761	1.25CT:1CT	1CT:1CT	-1.1	-40	-35	-30	-18	-13	-11	-40	1500
NT805-762	1.4CT:1CT	1CT:1CT	-1.1	-35	-30	-30	-18	-13	-11	-40	1500

MECHANICAL



SUGGESTED PAD LAYOUT



SCHEMATICS

