



## Dual Ports 10/100 Base-TX High Speed LAN Magnetic Modules For Various Transceiver ICs to work with single row RJ-45

- Designed to meet IEEE 802.3 and ANSI X3.263 standard including 350uH OCL with 8 mA bias
- Excellent EMI and Differential to Common Mode Rejection performance
- Designed to meet IR reflow at 235 Degree C peak temperature
- Available with various pinout for flexible circuit board layout
- Custom design with other transmit T/Rs, pinouts, packages and/or phase flipped are available on request



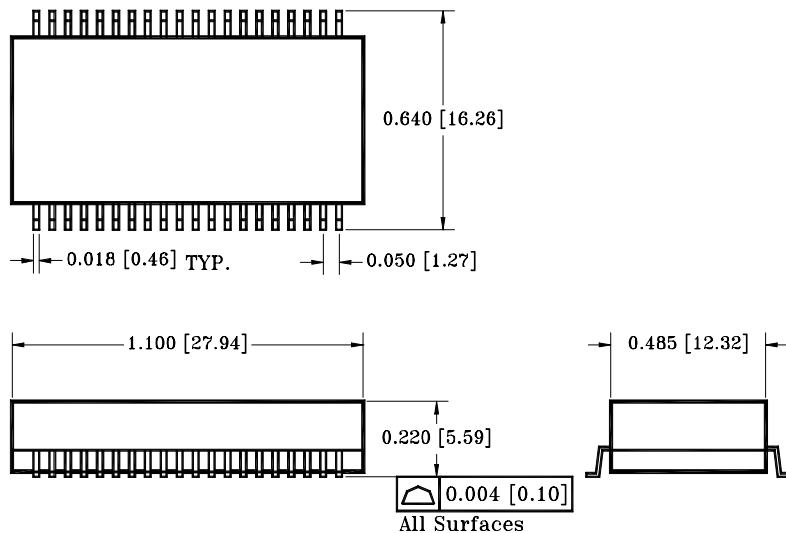
Operating Temperature: -25°C to +55°C

Storage Temperature: -55°C to +80°C

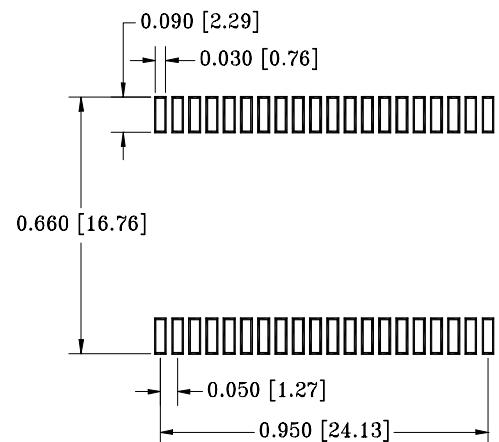
### Electrical Specifications at 25°C:

Part Number	Circuit	Transmit Turns Ratio	Insertion Loss dB (Max) 0.1-100MHz	Differential to Common Mode Rejection (dB Typ.)	Common to Common Mode Rejection (dB Typ.)	Return Loss dB (Typ.)			Crosstalk dB (Typ.) 1-100MHz	Hipot Vrms (Min)
				0.1-100MHz		30MHz	60MHz	80MHz		
NT805-801	1	1CT:1CT	-1	-40	-30	-16	-13	-10	-40	1500
NT805-802	2	1CT:1CT	-1	-40	-30	-16	-13	-10	-40	1500
NT805-803	3	1CT:1CT	-1	-40	-30	-16	-13	-10	-40	1500
NT805-851	1	2CT:1CT	-1	-40	-30	-16	-13	-10	-40	1500
NT805-852	1	1.25CT:1CT	-1	-40	-30	-16	-13	-10	-40	1500
NT805-853	1	1.414CT:1CT	-1	-40	-30	-16	-13	-10	-40	1500

### MECHANICAL



### SUGGESTED PAD LAYOUT

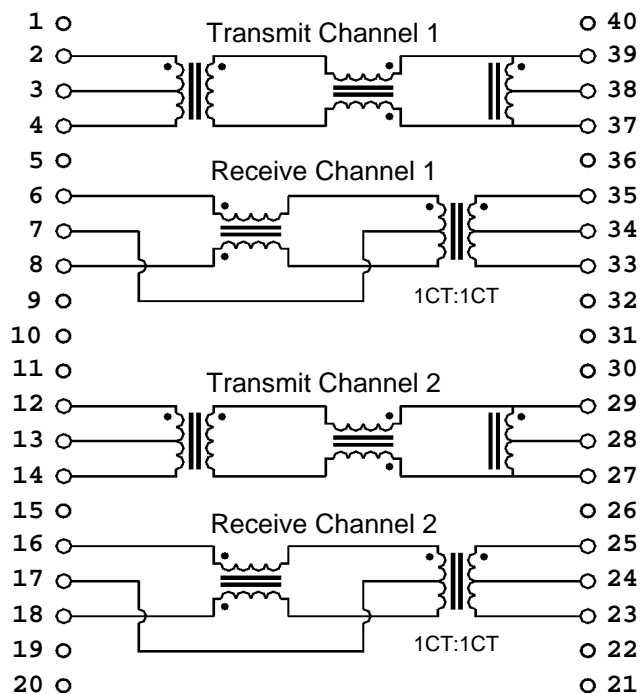


DATATRONIC: 28151 Highway 74, Romoland, CA 92585 Tel: 951-928-7700 Toll Free: 888-889-5391 Fax: 951-928-7701  
Email: ddisales@datatronics.com

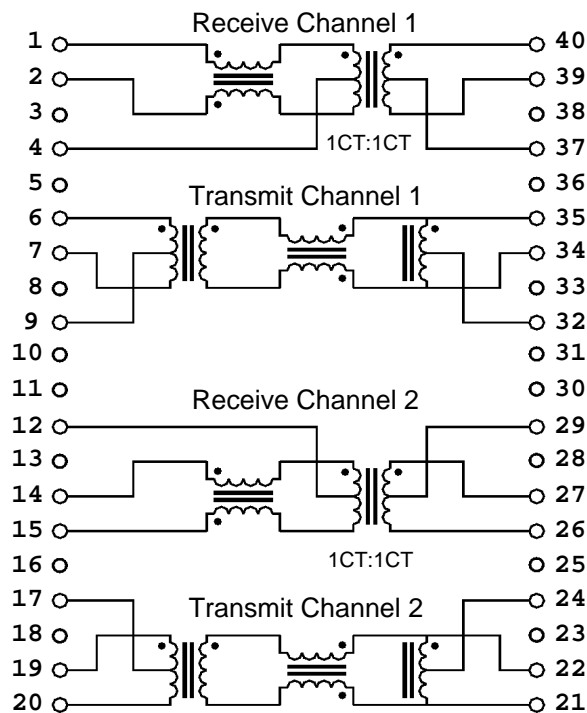
499 King's Road, Hong Kong Tel: (852) 2562 3858, (852) 2564 8477 Fax: (852) 2565 7214, (852) 2563 1290  
All specifications are subject to change without notice

**SCHEMATICS**

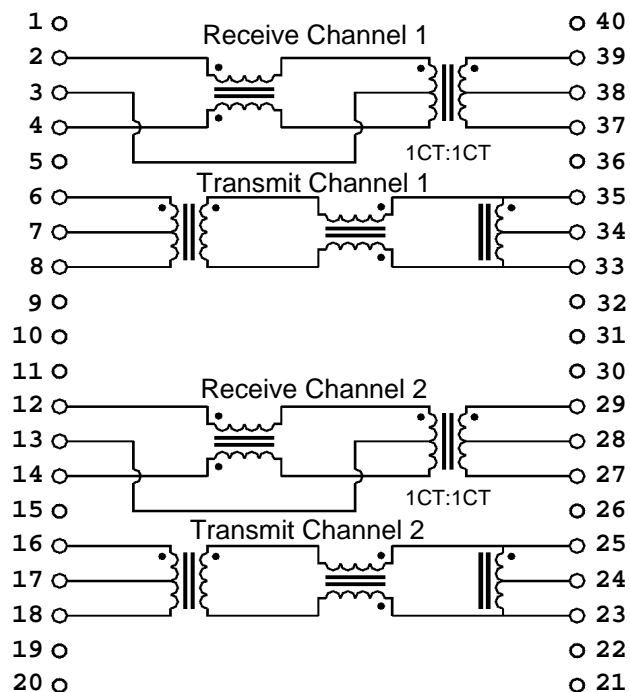
**Circuit 1**



**Circuit 2**



**Circuit 3**



**IC CROSS REFERENCE**

IC Maker	IC Part Number	Available Datatronic Parts
Adhoc Tech	AH104	NT805-801, NT805-802, NT805-803
AMD	Am79C871, Am79C872, Am79C873, Am79C972	NT805-801, NT805-802, NT805-803
Broadcom	BCM5201, BCM5203, BCM5205, BCM5208, BCM5216, BCM5218, BCM5308	NT805-801, NT805-802, NT805-803
Crystal	CS8952	NT805-801, NT805-802, NT805-803
Davicom	DM9101, DM9181	NT805-801, NT805-802, NT805-803
ICS	ICS1890, ICS1891, ICS1892	NT805-801, NT805-802, NT805-803
Intel	S82555, S82558, S82559	NT805-801, NT805-802, NT805-803
Kendin	KS8765	NT805-853
Level One	LXT970A, LXT976X, LXT978X	NT805-801, NT805-802, NT805-803
Level One	LXT974A, LXT975A, LXT980, LXT981, LXT982, LXT983	NT805-851
Lucent	LU3X04, LU3X14, LU3X24, LU3X34, LU3X51, LU1X54, LU2X54, LU3X54	NT805-801, NT805-802, NT805-803
Micro Linear	ML6673	NT805-801, NT805-802, NT805-803
Mitel	NWK937, NWK939, NWK954	NT805-801, NT805-802, NT805-803
Myson	MTD971	NT805-801, NT805-802, NT805-803
NS	DP83223, DP83840A	NT805-801, NT805-802, NT805-803
SEEQ	80223, 80225, 81400, 84220, 84225, 88220, 88221, 88222, 88223	NT805-801, NT805-802, NT805-803
TDK	78Q2120, 78Q2121	NT805-801, NT805-802, NT805-803
TI	TNETE2101, TNETE2104	NT805-801, NT805-802, NT805-803
TOPIC	TP100, TP110	NT805-801, NT805-802, NT805-803

Please contact us for ICs not listed above. Customer design with other turn ratios and pinouts are available on request.