

MC68194

Carrier Band Modem (CBM)

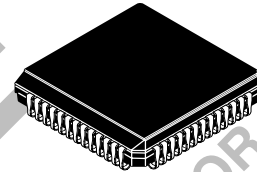
The bipolar LSI MC68194 Carrier Band Modem (CBM) when combined with the MC68824 Token Bus Controller provides an IEEE 802.4 single channel, phase-coherent carrier band Local Area Network (LAN) connection. The CBM performs the Physical Layer function including symbol encoding/decoding, signal transmission and reception, and physical management. Features include:

- Implements IEEE 802.4 single channel, phase-coherent Frequency Shift Keying (FSK) physical layer including receiver blanking.
- Provides physical layer management including local loopback mode, transmitter enable, and reset.
- Supports data rates from 1 to 10 Mbps. IEEE 802.4 standard uses 5 or 10 Mbps.
- Interfaces via standard serial interface to MC68824 Token Bus Controller.
- Crystal controlled transmit clock.
- Recovery of clocked data through phase-locked loop.
- RC controlled Jabber Inhibit Timer.
- Single +5.0 volt power supply.
- Available in 52-lead Cerquad package.



ON Semiconductor

<http://onsemi.com>



**CERQUAD
FJ SUFFIX
CASE 778B**

ORDERING INFORMATION

Device	Package	Shipping
MC68194FJ	CERQUAD	20 Units / Rail
MC68194FJR2	CERQUAD	450 Units / Reel

PIN ASSIGNMENTS AND DEVICE MARKING

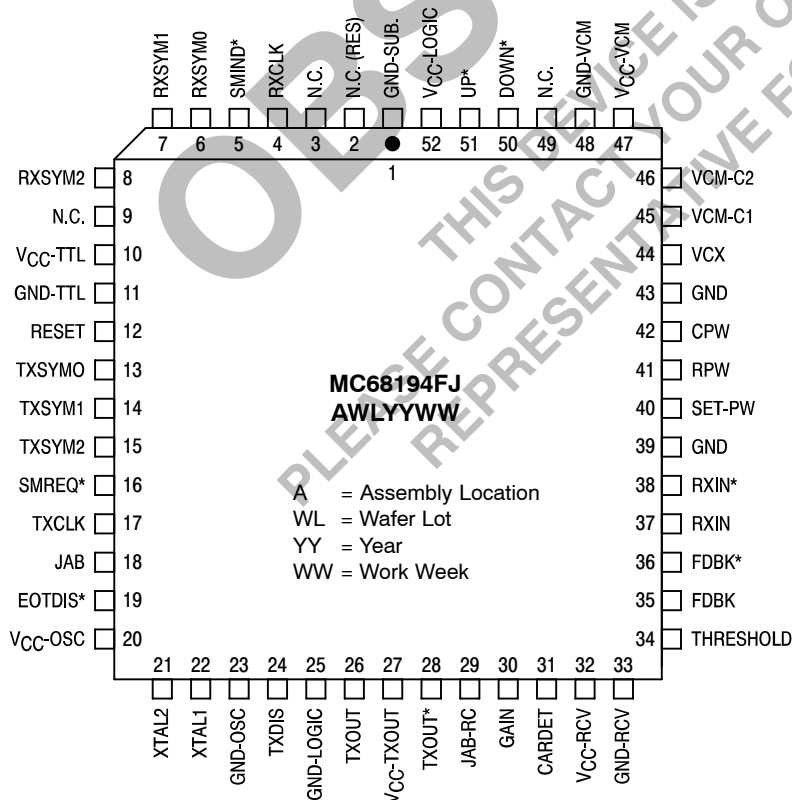


TABLE OF CONTENTS

PAGE

SECTION 1 — GENERAL DESCRIPTION

1.1	TOKEN BUS LAN CARRIER BAND NODE OVERVIEW	3
1.2	CARRIER BAND MODULATION TECHNIQUE	3
1.3	MESSAGE (FRAME) FORMAT	4
1.4	SYSTEM CONFIGURATION	4

SECTION 2 — SIGNAL DESCRIPTION TABLE

7

SECTION 3 — TRANSMITTER

3.1	OVERVIEW	9
3.2	TRANSMIT BUFFER	9
3.3	JABBER INHIBIT	10
3.4	CLOCK GENERATOR	10
3.4.1	Parallel-Resonant, Fundamental Mode Crystal	10
3.4.2	Parallel-Resonant, Overtone Mode Crystal	11
3.4.3	External Clock Source	11

SECTION 4 — RECEIVER AMPLIFIER/LIMITER WITH CARRIER DETECT

4.1	OVERVIEW	12
4.2	AMPLIFIER	12
4.3	CARRIER DETECT	12

SECTION 5 — CLOCK RECOVERY

5.1	OVERVIEW	13
5.2	ONE-SHOT	13
5.3	PHASE-LOCKED LOOP (PLL) COMPONENTS	14
5.3.1	Phase Detector (PD)	14
5.3.2	Voltage Controlled Multivibrator (VCM)	14
5.3.3	Loop Filter	14
5.3.4	Loop Characteristics	15

SECTION 6 — DATA RECOVERY

6.1	OVERVIEW	15
6.2	RECEIVER END-OF-TRANSMISSION BLANKING	16

SECTION 7 — SERIAL INTERFACE

7.1	OVERVIEW	17
7.2	PHYSICAL DATA REQUEST CHANNEL	17
7.2.1	TXCLK — Transmit Clock	17
7.2.2	SMREQ* — Station Management Request	17
7.2.3	TXSYM0, TXSYM1, and TXSYM2 — Transmit Symbols	17
7.3	PHYSICAL DATA INDICATION CHANNEL	17
7.3.1	RXCLK — Receive Clock	17
7.3.2	SMIND* — Station Management Indication	17
7.3.3	RXSYM0, RXSYM1, and RXSYM2 — Receive Symbols	17

SECTION 8 — PHYSICAL MANAGEMENT

8.1	OVERVIEW	18
8.2	RESET	18
8.3	INTERNAL LOOPBACK	18
8.4	STANDARD OPERATION	18
8.5	IDLE	18
8.6	COMMAND RESPONSE TIMING	18

SECTION 9 — ELECTRICAL SPECIFICATIONS TABLES

21

SECTION 1
GENERAL DESCRIPTION

1.1 TOKEN BUS LAN CARRIER BAND NODE OVERVIEW

The MC68194 Carrier Band Modem (CBM) is part of ON Semiconductor's solution for an IEEE 802.4 token bus carrier band Local Area Network (LAN) node. The CBM integrates the function of the single-channel, phase-coherent Frequency Shift Keying (FSK) physical layer. Figure 1-1 illustrates the architecture of a token bus LAN node as commonly used in Manufacturing Automation Protocol (MAP) industrial communications. Based on the ISO-OSI model, the LLC Sublayer and additional upper layers are typically supported by a local MPU subsystem, while the IEEE 802.4 token bus MAC Sublayer and Physical Layer are implemented by the MC68824 Token Bus Controller (TBC) and MC68194 CBM respectively.

The MC68194 provides the three basic functions of the physical layer including data transmission to the coax cable, data reception from the cable, and management of the physical layer. For standard data mode (also called MAC mode), the carrier band modem receives a serial transmit data stream from the MC68824 TBC (called symbols or atomic symbols), encodes, modulates the carrier, and transmits the signal to the coaxial cable. Also in the data mode, the CBM receives a signal from the cable, demodulates the signal, recovers the data, and sends the received data symbols to the TBC. Communication between the TBC and CBM is through a standardized serial interface inconsistent with the IEEE 802.4 DTE-DCE serial interface.

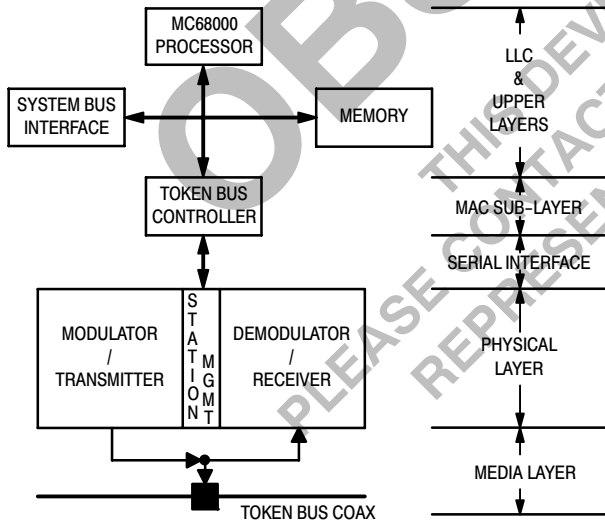


Figure 1-1. IEEE 802.4 Token Bus Carrier Band Node

The physical layer management provides the ability to reset the CBM, control the transmitter, and do loopback

testing. Also, an onboard RC timer provides a “jabber” inhibit function to turn off the transmitter and report an error condition if the transmitter has been continuously on for too long. Similar to the data mode, the CBM management mode makes use of the TBC serial interface.

1.2 CARRIER BAND MODULATION TECHNIQUE

The CBM uses phase-coherent frequency shift keying (FSK) modulation on a single channel system. In this modulation technique, the two signaling frequencies are integrally related to the data rate, and transitions between the two signaling frequencies are made at zero crossings of the carrier waveform. Figure 1-2 shows the data rate and signaling frequencies. An {L} is represented as one half cycle of a signal, starting and ending with a nominal zero amplitude, whose period is equal to the period of the data rate, with the phase of one half cycle changing at each successive {L}. An {H} is represented as one full cycle of a signal, starting and ending with a nominal zero amplitude whose period is equal to half the period of the data rate. In a 5 Mbps implementation, the frequency of {L} is 5.0 MHz and for {H} is 10 MHz. For a 10 Mbps implementation, the frequency of {L} is 10 MHz and for {H} is 20 MHz. The other possible physical symbol is when no signal occurs for a period equal to one half of the period of the data rate. This condition is represented by {off}.

Data Rate MBPS	Frequency of Lower Tone MHz {L}	Frequency of Higher Tone MHz {H}
5	5.0	10
10	10	20

Figure 1-2. Data Rate versus Signaling Frequencies

The specified physical symbols ({L}, {H} and {off}) are combined into pairs which are called MAC-symbols. The MAC-symbols are transferred across the serial link. The encodings for the five MAC-symbols are shown in Figure 1-3. Figure 1-4 shows the phase coherent FSK modulation scheme for ONE, ZERO, and NON-DATA. The IEEE 802.4 document does not specify the polarity used to transmit data on the physical cable. The receiver must operate without respect to polarity.

Mac-Symbol	Encoding
Silence	{off off}
Pad-Idle Pairs	{L L} {H H}
Zero	{H H}
One	{L L}
Non-Data	
ND1	{H L}
ND2	{L H}

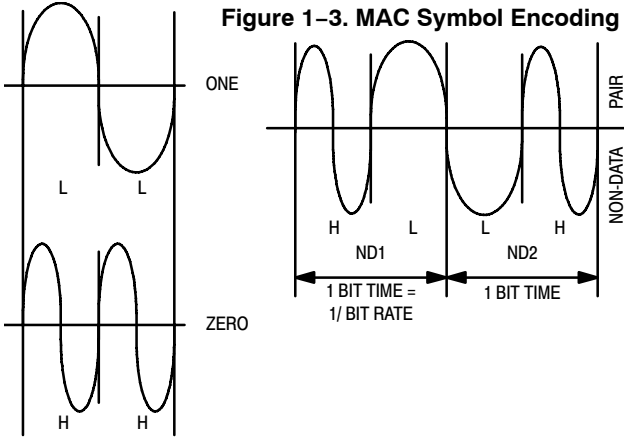


Figure 1-4. Phase-Coherent Modulation Scheme

1.3 MESSAGE (FRAME) FORMAT

Although the CBM only uses MAC symbols one-at-a-time, the MAC or TBC is responsible for combining the above defined MAC symbols into messages (more correctly called frames). For the purposes of the CBM, a simplified frame format can be used consisting of:

SILENCE || PAD-IDLE | START DELIMITER | DATA | END DELIMITER || SILENCE

where:

PAD-IDLE = alternating {LL} {HH} pairs which must occur in octets or groups of eight symbols. Pad-idle provides a training signal for the receiver and occurs at the beginning of every transmission (and between frames in a multiple frame transmission).

START DELIMITER = a unique pattern of eight symbols (one octet) that marks the beginning of a frame. The pattern is:

ND1 ND2 0 ND1 ND2 0 0 0

where ND1 is the first symbol transmitted.

DATA = octets of ZERO/ONE patterns that are the actual data or "information" contained within the frame.

END DELIMITER = a unique pattern of symbols that marks the end of a frame. The pattern is:

ND1 ND2 1 ND1 ND2 1 {I=0/1} {0/1}

where ND1 is the first symbol transmitted. Note that unlike the Start Delimiter, the last two bits of the End Delimiter octet are not always the same. The seventh bit of the octet is called the I Bit or Intermediate bit which = 1 when there is more to transmit and = 0 at the end of a transmission.

A single transmission can consist of one or more frames. In a multi-frame transmission, Pad-Idle is sent between consecutive frames to separate them. If an End Delimiter occurs **within** a multi-frame transmission its I Bit will = 1, and the **last** end delimiter will have its I Bit = 0.

The CBM accepts a stream of MAC symbols from the TBC and modulates the phase-coherent transmit signal accordingly. Conversely, the CBM receives a phase-coherent signal stream from the cable, decodes the MAC symbols, and reports them. On transmission there is a direct one-to-one correlation between MAC symbols requested and the modulated signal; however, during reception exceptions can occur. The CBM is allowed to report Silence or the actual Zero/One pattern during preamble which is done to allow the receiver to "train" to the incoming signal. Also, if noise in the system has corrupted the data, it may show up as an incorrect MAC symbol or the CBM can report a BAD SIGNAL symbol if an incorrect combination of ND symbols is detected (ND2 without an ND1, ND2 followed by ND2, etc.)

1.4 SYSTEM CONFIGURATION

Figure 1-5 illustrates the CBM and peripheral circuitry required for an IEEE 802.4 carrierband 5 Mbps or 10 Mbps data rate phase-coherent FSK physical layer. The CBM communicates with the MAC or TBC through a TTL compatible serial interface that is consistent with the IEEE



802.4 exposed DTE–DCE interface. Management and transmission symbol requests are accepted via the CBM physical data request channel (TXSYM0–TXSYM2, SMREQ*, and TXCLK). The physical data indication channel (RXSYM0–RXSYM2, SMIND*, and RXCLK) is used to send received symbols and management responses to the MAC.

The periphery circuitry is primarily associated with interface to the LAN coaxial cable and data recovery. An external crystal or clock source is required (20 MHz for 5 Mbps data rate or 40 MHz for 10 Mbps data rate) for onboard timing and transmit clock. Also, an RC timing network sets the jabber timeout period.

The coaxial cable interface combines the transmit and receive signal functions. For transmission, the CBM provides differential drive signals (TXOUT and TXOUT*) whose signaling is ECL levels referenced to V_{CC} (logic high $\approx +4.1$ V, logic low $\approx +3.3$ V) and a gate signal called TXDIS. The IEEE 802.4 standard puts specific requirements on the signal transmitted to the cable:

Between +63 dB and +66 dB (1.0 mV, 75 Ω) [dBmV]
output voltage level.

Transmitter–off leakage not to exceed –20 dB
(1.0 mV, 75 Ω) [dBmV].

Signal transition time window (eye pattern)
dependent on data rate.

Because of this, an external amplifier with waveshaping is required. The CBM TXOUT/TXOUT* outputs provide

complementary signals with virtually no slew, and the TXDIS is an enable signal helpful for turning the external amp off “hard” to meet the low level leakage.

On the reception side, the CBM requires a pre–amplifier to receive the low level signal from the cable. The signal available at the “F”–connector can range from +10 dB to +66 dB (1.0 mV, 75 Ω) [dBmV]. The signal required at the CBM is about 12 dB above this (net gain through the transformer, pre–amp, and any filtering). The receiver can be used in full differential or single–ended mode.

A second part of the receiver function is the signal detect or carrier detect function. The IEEE 802.4 requires that the receiver detect a signal of +10 dBmV or above (i.e., be turned “on”) and report Silence for a signal of +4.0 dBmV or below (i.e., be turned “off”). Therefore, a 6.0 dB (2:1 voltage ratio) range or window is defined in which the signal detect must switch. The CBM is optimized for this range (including the pre–amp gain), although it is trimmed via an external THRESHOLD.

The remaining external components are associated with clock recovery. A capacitor and resistor (internal R also provided) set one–shot timing, and an active filter for a PLL used in clock and data recovery is required. The active filter can be implemented via an op amp, or if 5.0 volt operation is required, an alternate charge pump design can be used.

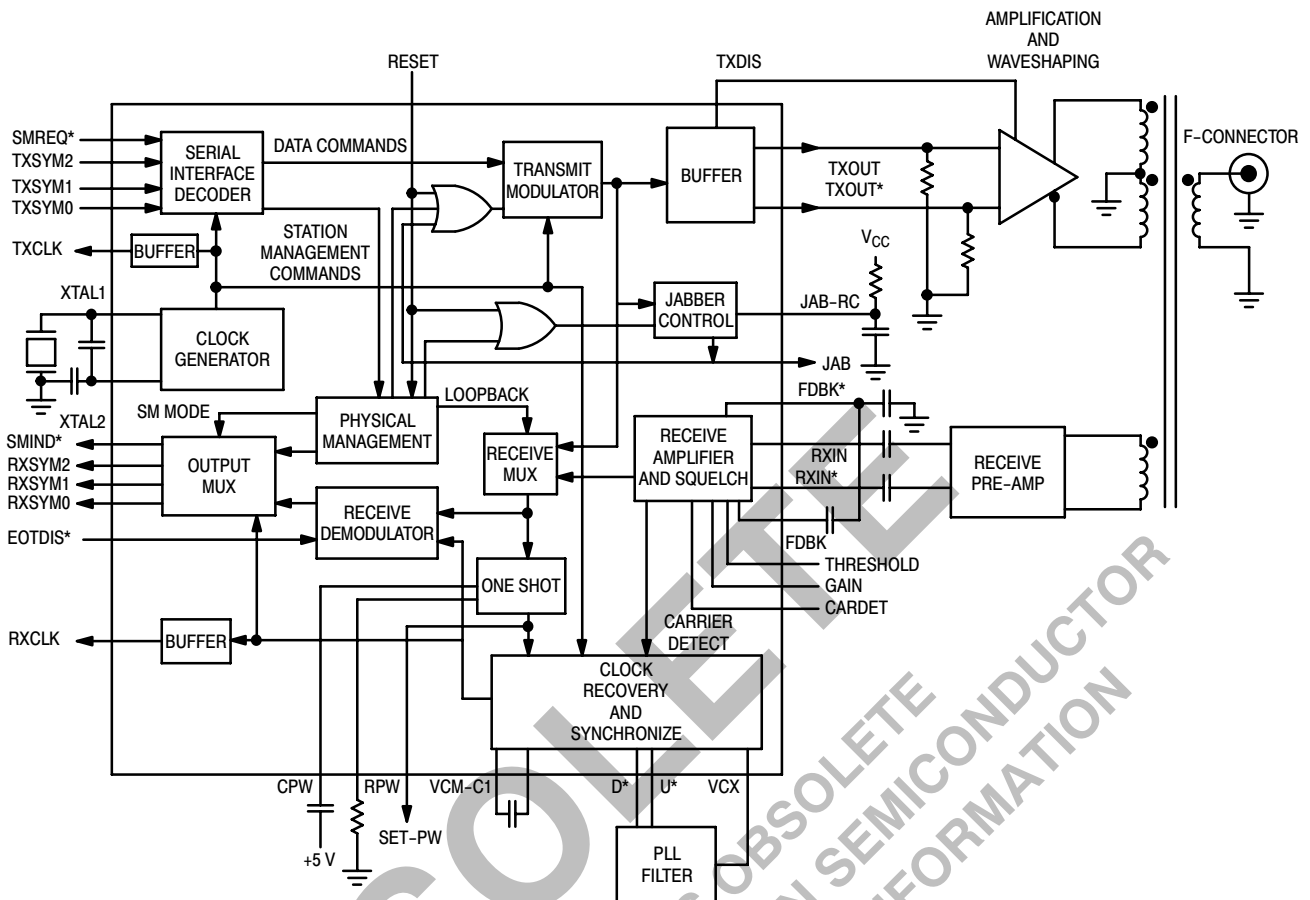


Figure 1-5. Functional Block Diagram

The clock recovery and data decoder is a synchronous design which provides superior performance minimizing clock jitter.

Although primarily intended for the IEEE 802.4 carrier band, the CBM is also an excellent device for point-to-point

data links, fiberoptic modems, and proprietary LANs. The MC68194 can be used over a wide range of frequencies and interfaces easily into different kinds of media.

MC68194

SECTION 2 SIGNAL DESCRIPTION

Symbol	Type	Name/Description
TXSYM0-TXSYM2	TTL/I*	TRANSMIT SYMBOLS — These TTL inputs are request channel signals used to send either serial transmission symbols in the MAC mode or commands in station management mode. They are synchronized to TXCLK and are normally connected to the TXSYMX outputs of the MC68824. SMREQ* selects the meaning of these signals as either MAC mode or management mode.
SMREQ*	TTL/I*	STATION MANAGEMENT REQUEST — A TTL input that selects the mode of the request channel signals TXSYMX. Synchronized to TXCLK, SMREQ* is equal to one for MAC mode and equal to zero for management mode. It is normally driven by the SMREQ* output of the MC68824.
TXCLK	TTL/O	TRANSMIT CLOCK — A TTL clock output generated from the crystal oscillator (it is 1/4 of the oscillator frequency) used to receive request channel symbols from the MC68824. TXCLK is equal to the data rate of the application (5.0 MHz or 10 MHz for IEEE 802.4). TXSYMX and SMREQ* are synchronized to the positive edge of TXCLK which is supplied to the MC68824.
RXSYM0-RXSYM2	TTL/O	RECEIVE SYMBOLS — These TTL outputs are indication channel signals used to provide either serial receive symbols in MAC mode or command confirmation/indication in station management mode. They are synchronized to RXCLK and are normally connected to the RXSYMX inputs of the MC68824. SMIND* selects the meaning of these signals as either MAC mode or management mode.
SMIND*	TTL/O	STATION MANAGEMENT INDICATION — A TTL output that indicates the mode of the CBM and RXSYMX lines. Synchronized to RXCLK, SMIND* is equal to one for MAC mode and equal to zero for management mode. It is normally connected to the SMIND* input of the MC68824.
RXCLK	TTL/O	RECEIVE CLOCK — A TTL clock output used to send indication channel symbols to the MC68824. Its frequency is nominally equal to the data rate (5.0 MHz or 10 MHz for IEEE 802.4). RXCLK is generated from a PLL that is locked to the local oscillator during loopback, station management, or the absence of received data. During frame reception the PLL is locked to the incoming received data. RXSYMX and SMIND* are synchronized to negative edge of RXCLK.
EOTDIS*	TTL/I*	END-OF-TRANSMISSION DISABLE — When low, this TTL input disables the end-of-transmission receiver blanking required by the IEEE 802.4 Spec, Section 12.7.6.3. When high the blanking works in accordance with the spec requirements.
TXOUT,TXOUT*	ECL/O	TRANSMIT OUTPUTS — A differential output signal pair (MECL level referenced to V _{CC}) used to drive the transmitter circuitry. The silence or "off" state is both outputs one (high). The output data stream is phase-coherent FSK encoded.
TXDIS	OC	TRANSMIT DISABLE — An open collector output used to disable transmitter circuitry. This output is high when the transmitter is off (TXOUT and TXOUT* both high).
JAB	TTL/O	JABBER — A TTL output signal generated from the jabber-inhibit timer. When equal to one, JAB indicates the timer has timed-out and an error has occurred.
RESET	TTL/I*	RESET — A TTL input signal that when high asynchronously resets the CBM.

*All TTL inputs include a 15 kΩ pullup resistor to V_{CC}.

MC68194

Signal Description (Cont.)

Symbol	Type	Name/Description
RXIN, RXIN*	I	RECEIVER INPUTS — A differential input signal pair for the receiver amplifier/limiter. These inputs may be used differentially or single ended.
FDBK, FDBK*		DC FEEDBACK BYPASS — These two points are provided to bypass dc feedback around the receiver amplifier.
THRESHOLD	I	THRESHOLD ADJUST — The receiver threshold detect is trimmed with this pin.
GAIN	O	GAIN — This output can be used to monitor the receiver amplifier output signal. Used only for test purposes.
CARDET	O	CARRIER DETECT — This output can be used to filter the internal signal that is sampled to sense carrier detect.
RPW, CPW	I	PULSE-WIDTH RESISTOR/CAPACITOR — A resistor and capacitor set a one-shot pulse width used in the clock recovery circuitry.
SET-PW	O	PULSE WIDTH TEST POINT — Output test point used for adjusting clock recovery one-shot pulse width.
UP*, DOWN*	ECL/O	PLL PHASE DETECTOR OUTPUTS — UP* and DOWN* are the pump-up and pump-down outputs, respectively, of the PLL digital phase detector. They are MECL levels referenced to +5.0 volts and are used to drive inputs to an active filter or charge pump for the PLL.
VCX	I	VCM CONTROL — The control voltage applied to the PLL voltage controlled multivibrator.
VCM-C1, VCM-C2	I	VCM CAPACITOR — VCM capacitor inputs. VCM frequency is 4X RXCLK.
JAB-RC	I	JABBER-INHIBIT RC — A resistor-capacitor network connected to this pin sets the jabber-inhibit time constant.
XTAL,1 XTAL2	I	CLOCK CRYSTAL — Oscillator circuit inputs may be used with a crystal or an external clock source. Oscillator frequency is 4X data rate.
V _{CC} -VCM		VCM POWER — 5.0 ± 5% volts for VCM.
V _{CC} -TXOUT		TXOUT POWER — 5.0 ± 5% volts for TXOUT/TXOUT*.
V _{CC} -OSC		OSCILLATOR POWER — 5.0 ± 5% volts for oscillator.
V _{CC} -RCV		RECEIVER POWER — 5.0 ± 5% volts for receiver amplifier/limiter.
V _{CC}		LOGIC POWER — 5.0 ± 5% volts for remaining logic.
V _{CC} -TTL		TTL POWER — 5.0 ± 5% volts for TTL output buffers.
GND-TTL, GND-VCM, GND-LOGIC, GND-OSC, GND-RCV, GND-SUBS, GND		GROUND — Reference voltage for TTL buffers, VCM, internal logic, oscillator, receiver/limiter, substrate respectively. Two additional grounds are used to isolate signals.

SECTION 3
TRANSMITTER

3.1 OVERVIEW

The transmitter function includes the serial interface decoder, transmit modulator, transmit buffer, jabber inhibit, and clock generator. (Although the clock generator is not used exclusively by the transmit function, the generator will be discussed here.) The MC68194 receives request channel symbols on the TXSYM_X pins which are synchronized to TXCLK. As is described in the Serial Interface discussion, MAC transmit symbols are input serially (CBM in MAC mode), decoded, and used to modulate an output signal. The Serial Interface Decoder is used both for MAC mode to decode data transmit commands (symbols) and management mode to decode management commands. The decoded transmit commands or symbols are used by the Transmit Modulator to generate phase-coherent signaling as discussed in the CBM General Description. The transmit buffer receives the modulated signal and drives differential output signals.

The clock generator provides TXCLK and internal clocks of 2 times (2X) and 4 times (4X) TXCLK. The 4X clock is actually the oscillator frequency. These clocks are used to receive the TX symbols and generate the modulated signal.

3.2 TRANSMIT BUFFER

The modulated transmit data stream drives the TXOUT and TXOUT* pins of the MC68194. These pins are complementary outputs with closely matched edge transitions. This is useful in helping meet the IEEE 802.4 carrierband requirement for a transmit jitter of less than ± 1% of the data rate. TXOUT and TXOUT* are generally used to drive a differential amplifier which is used to achieve the necessary output level at the cable and meet the rise/fall time window (or “eye” pattern) of the IEEE 802.4. A third output called TXDIS is available to gate the amplifier circuitry on or off.

The TXOUT and TXOUT* have ECL levels referenced to V_{CC} (Figure 3-1). Levels are typically 4.11 V for a high and 3.25 for a low. Pulldown resistors are required with the outputs specified to drive a maximum load of 220 Ω to ground reference.

Operation of the transmit outputs is controlled in the following manner:

1. Management mode — The TX outputs are always disabled while the CBM is in management mode. When leaving management mode the TX outputs remain disabled if a RESET command has been issued and an ENABLE TRANSMITTER and DISABLE LOOPBACK commands have **not** been issued. Resetting the CBM enables internal loopback and disables the transmitter.
2. MAC (data) mode — After leaving management mode, the CBM can function in internal loopback (for test) with the transmitter disabled, out of loopback with transmitter

disabled (receive only), or in standard data mode with the TX outputs controlled by the modulator.

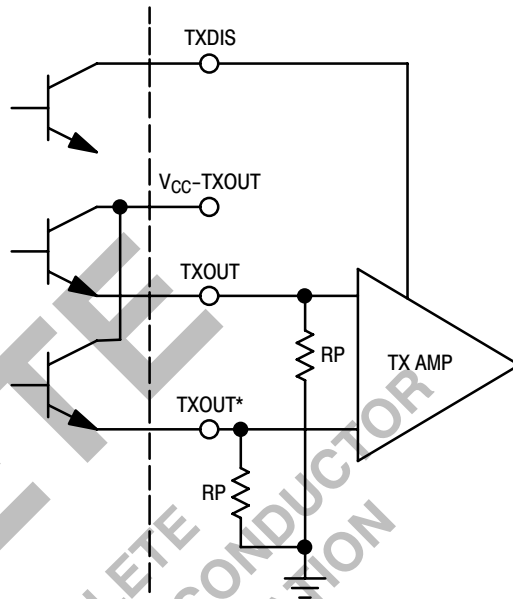


Figure 3-1. Transmitter Outputs

3. Jabber inhibit activated — If the jabber inhibit fires, it forces the CBM into management mode and disables the TX outputs. This condition can only be cleared by a reset condition.

The TXDIS output is an open collector switched current source. TXDIS sinks a nominal 0.5 mA when the TXOUT/TXOUT* outputs are enabled. TXDIS is off or high impedance when the transmitter is disabled.

The signaling on the TX outputs and TXDIS is shown in Figure 3-2. The “off” or silence condition is both TXOUT outputs high and TXDIS also high. The figure shows an example of the signal pattern for both leaving and entering a silence condition.

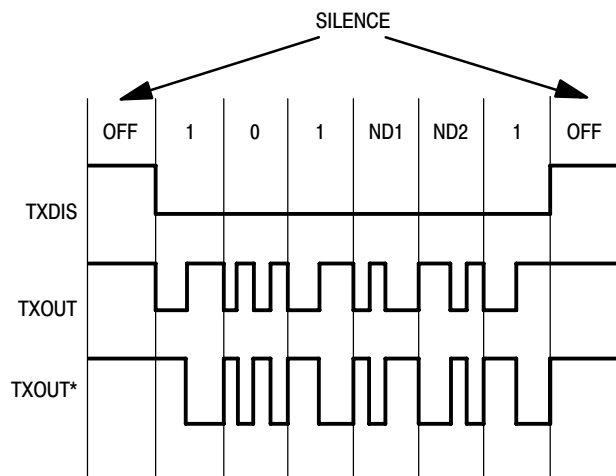


Figure 3-2. Transmitter Output Signaling

3.3 JABBER INHIBIT

The jabber inhibit function prevents the transmitter from transmitting indefinitely. An external resistor and capacitor pair tied to the CBM JAB-RC pin set the maximum time that the transmitter is allowed to transmit. When transmission is attempted for a period longer than the specified time, the jabber inhibit function forces the transmitter to shut down and alerts the system that this has been done by generating a PHYSICAL ERROR indication on the serial interface indication channel. The error indication is removed only after a reset has occurred on the RESET pin or after a RESET command has been received on the station management interface. The ENABLE TRANSMITTER and DISABLE LOOPBACK commands can then be used to re-enable the transmitter outputs. While the PHYSICAL ERROR indication is present, the normally-low JAB pin of the MC68194 will be high. This TTL output may be used to turn off external transmitter circuitry or an isolation relay.

A block diagram of the jabber inhibit function is shown in Figure 3-3. When edges are present on the TXDATA line, the jabber capacitor is allowed to charge. When the transmitter stops transmitting, the capacitor is discharged. The circuit looks for any edges in the previous 16 TXCLKs before deciding whether to charge or discharge the capacitor. When the capacitor voltage reaches the reference threshold, the comparator switches and the jabber output is latched. The jabber output is fed back internally and disables the transmitter. This signal is also brought out to the JAB pin for use in disabling external transmitter circuitry.

For the IEEE 802.4 spec, the jabber timeout must be $0.5 \text{ sec} \pm 25\%$. An RC time constant of 265 millisecond will give about a 0.5 sec timeout. The maximum resistor size is 125 k Ω . Components should be 10% tolerance or better. Common values are $R = 120 \text{ k}\Omega$ and $C = 2.2 \mu\text{F}$.

3.4 CLOCK GENERATOR

The clock generator is used to generate all of the transmit timing, TXCLK, and internal CBM timing for station management and loopback. The generator consists of a crystal oscillator/buffer that drives $\div 2$ and $\div 4$ stages. The

oscillator frequency must be four times (4X) the serial data rate. As an example, the IEEE 802.4 5 Mbps carrier band (TXCLK = 5.0 MHz) requires an oscillator frequency of 20 MHz. The basic circuit is a single transistor Colpitts oscillator as shown in Figure 3-4.

The oscillator is used in one of three modes depending on the data rate and the application:

1. With a parallel-resonant, fundamental mode crystal.
2. With a parallel-resonant, overtone mode crystal.
3. With an external clock source.

The fundamental mode can typically be used up to frequencies of about 20 MHz; this is crystal dependent and some crystal types can be used as high as 40 MHz. Beyond the fundamental mode upper limit, an overtone mode crystal is used. An alternative to a crystal is an external clock source such as an integrated crystal clock to drive the CBM.

3.4.1 Parallel-Resonant, Fundamental Mode Crystal

Figure 3-4 shows the external crystal and capacitors C1 and C2 used for fundamental mode operation. The crystal must be parallel resonant with a maximum series resistance of 30 Ω .

This configuration is normally used for the IEEE 802.4 5 Mbps carrierband standard. The required transmit frequency stability is $\pm 100 \text{ ppm}$ (0.01%). It is suggested that a crystal with a total frequency tolerance (calibration tolerance, temperature variation, plus aging) of $\pm 50 \text{ ppm}$ to $\pm 60 \text{ ppm}$ be used. The remaining frequency budget is reserved for the CBM and other components over temperature and power supply variation.

The series combination of C1 and C2 should be equal to the specified crystal load (typically 20 pF or 32 pF). Additionally, C1 and C2 should be large enough to swamp out the CBM device capacitance. The XTAL1 input capacitance is typically 1.5 pF to 2.0 pF, and C1 should be at least an order of magnitude greater ($C1 > 20 \text{ pF}$). Also, C1 must be greater than the crystal load capacitance because of the series combination of C1 and C2. Generally the ratio C1:C2 is from 1:1 to 3:1.

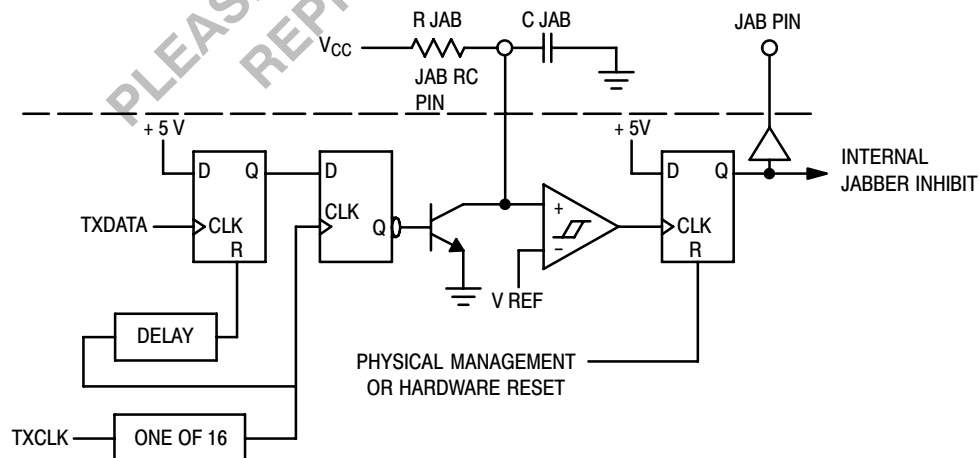


Figure 3-3. Jabber Inhibit Block Diagram

For a 20 pF crystal load:

$$20 \text{ pF} = C1C2/(C1 + C2)$$

and

$$C2 = 20 \text{ pF} [C1/(C1 - 20 \text{ pF})]$$

Typical values are C1 = 60 pF and C2 = 30 pF.

It is suggested that best results will be had with close tolerance (5%) NPO ceramic capacitors — trimming should not be required. If trimming is necessary, a third trimming capacitor C3 can be placed in series with the crystal. Capacitors C1 and C2 will have to be increased in value because the crystal load now becomes C1 and C2 and C3 in series. For help in designing the capacitor network the user is directed to *Design of Crystal and Other Harmonic Oscillators*, B. Parzen, Wiley, 1983.

3.4.2 Parallel-Resonant, Overtone Mode Crystal

Figure 3-4 also shows the network used for overtone mode operation. The crystal is still parallel resonant, but must be specified for overtone (harmonic) operation at the desired frequency. A low series resistance of less than 30 Ω is recommended.

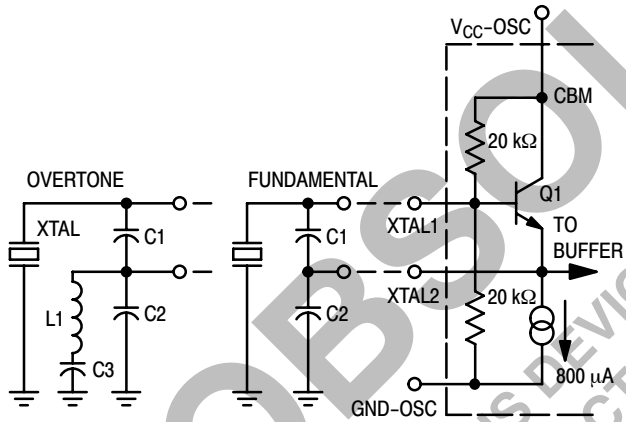


Figure 3-4. Crystal Oscillator Schematic Shows Configurations For Both Overtone and Fundamental Modes

Inductor L1 and capacitor C2 form a tank circuit that is parallel resonant at a frequency **lower** than the desired crystal harmonic but above the next lower odd harmonic. C3

= 0.01 μF is a dc blocking capacitor to ground. At the operating frequency the tank circuit impedance will appear capacitive; therefore, the load to the crystal is C1 in series with the capacitive reactance of the tank circuit.

This series combination should be equal to the desired crystal load. Typically, C2 will increase in value as compared to the fundamental mode situation because of the cancelling effects of L1. Again the user is directed to the above reference for optimum selection of components.

3.4.3 External Clock Source

Figure 3-5 shows the connection used for a TTL compatible external clock source. XTAL1 and XTAL2 are tied together defeating transistor Q1. External resistor R1 = 2.0 kΩ assures a high level greater than 3.0 V at an input current of 800 μA. The TTL driver must be capable of sinking 2.5 mA.

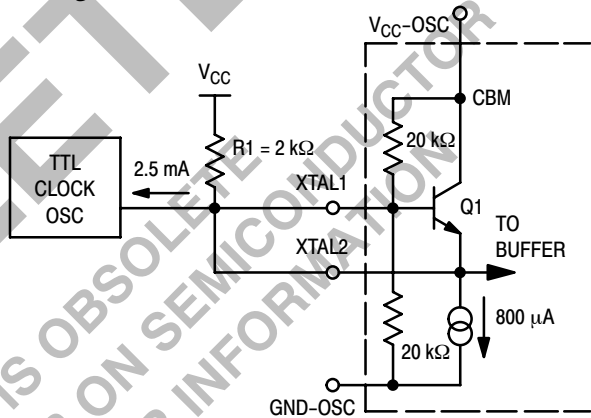


Figure 3-5. TTL Compatible Clock Source Driving CBM

The IEEE 802.4 for 5 Mbps or 10 Mbps data rate carrier band requires a transmit frequency stability of ± 100 ppm (0.01%). The external clock source must be specified for this stability over temperature.

SECTION 4
RECEIVER AMPLIFIER/LIMITER WITH CARRIER DETECT

4.1 OVERVIEW

The IEEE 802.4 spec provides that the incoming signal range for good signal is +10 dB (1.0 mV, 75 Ω) [dBmV] to +66 dB (1.0 mV, 75 Ω) [dBmV] available at the modem connector. The IEEE 802.4 further specifies that the modem will report silence for any signal below +4.0 dB (1.0 mV, 75 Ω) [dBmV]. Therefore, the receiver function must amplify any signal of +10 dBmV and above to limiting for good data recovery, and the signal detect must switch within the +4.0 dBmV to +10 dBmV window, that is, it must be “off” for +4.0 dBmV and below, and be “on” for +10 dBmV and above. The MC68194 requires a pre-amplifier of about 12 dB in front of the onboard amplifier and carrier detect function. Clock and data recovery are extracted from the amplified/limited incoming signal, and the carrier detect is used to control the clock and data recovery function based on presence of good signal.

4.2 AMPLIFIER

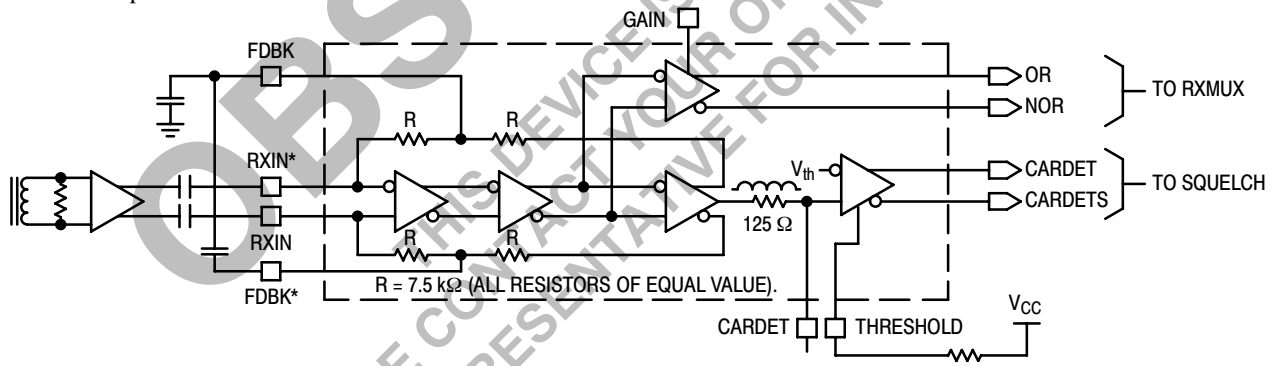
Figure 4-1 shows a simple block diagram of the receiver amplifier. Internally, dc feedback is used to bias the amplifier, and connection points FDBK and FDBK* are provided to ac bypass the feedback. With both receiver inputs RXIN and RXIN* available, the device can be wired either for differential or single-ended operation. Differential is preferred for low noise.

An external preamplifier with gain of about 12 dB is used with the onboard amplifier. The pre-amp can drive the CBM either single-ended or differentially. The onboard amplifier output signal is used in two ways. One path adds an additional limiter stage and is used to drive the clock and data recovery stages. The second path is used to develop carrier detect.

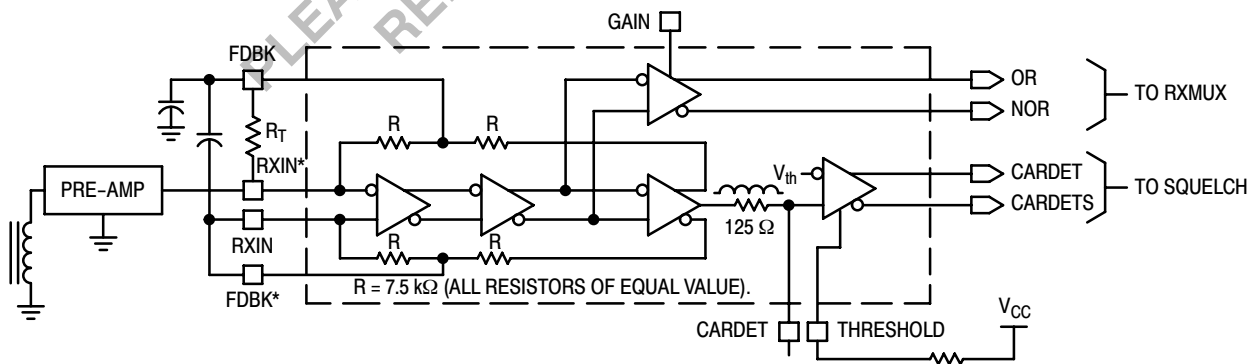
In the signal window where carrier detect must be active, the internal amplifier remains in the linear (non-limiting) range. Its output is fullwave rectified, and the rectified signal is compared to an onboard threshold that is temperature and voltage compensated. The rectified signal is also brought out to an external lead called CARDET. A capacitor can be added at this pin which combines with the series 125 Ω resistor to form a low pass filter. This filtering is used to knock any high frequency noise off of the signal. The output of the comparator is a series of pulses (when the signal amplitude is sufficiently large) which are digitally integrated in the internal squelch signal.

4.3 CARRIER DETECTION THRESHOLD

The carrier detect threshold is internally generated and compensated for power supply and temperature variation. The THRESHOLD pin is provided to adjust the threshold via an external resistor tied to V_{CC}.



(A) Receiver Used in Differential Mode



(B) Receiver Used in Single-Ended Mode

Figure 4-1. Receiver Amplifier With Carrier Detect

SECTION 5 – CLOCK RECOVERY

5.1 OVERVIEW

The clock recovery circuitry is a key part of the receive function providing RX clock, a 2 times (2X) RX clock, and a 4 times (4X) RX clock for data recovery and to send receive symbols to the MAC. Figure 5-1 is a simplified functional schematic of the clock recovery logic. The clock recovery is fed by the output stage of the receive amplifier. The phase-coherent signal contains frequency components equal to 1X and 2X the serial data rate. Figure 5-2 shows an example of timing for a 5 Mb/s serial data rate. The RXOUT signal drives a one-shot with a time period of 75% of 1/2 bit time; this locks out edges caused by the higher frequency component. The one-shot is non-retriggerable and is triggered on both positive and negative going edges. This produces a pulse for every edge of the lower frequency.

The output of the one-shot is divided by 2 to produce a 50% duty cycle signal equal in frequency to the lower frequency of the phase-coherent signal. In turn, the ÷2 flip-flop output runs through a multiplexer to a phase-locked loop (PLL) system. The multiplexer selects the RXOUT signal when carrier detect is present; otherwise the local oscillator divided by 4 is selected.

The PLL system consists of a digital phase detector, an active loop filter, a voltage-controlled multivibrator (VCM), and a divide-by-4 feedback counter. When in phase lock, the output of the divide-by-4 feedback counter is locked to the reference clock. In turn, the VCM 4 times clock is also aligned with the reference clock as shown in Figure 5-2.

The 4 times clock from the VCM, the 2 times clock, and the 1 times clock are all in phase (when the PLL is phase-locked) with the reference clock, and are used to do data recovery. Note that the reference clock can be 180° out of phase with the bit time boundaries (Figure 5-2). This does not affect the 2X and 4X clocks which are used to sample the data. However, RXCLK can be out of sync with the bit time boundaries and special circuitry in the data recovery logic detects and corrects this condition.

When no valid input signal is available from the receive amplifier (carrier detect is not asserted), the multiplexer selects the local clock as a reference. This has the advantages of:

1. Supply a RXCLK when no data is present.
2. Holding the PLL in frequency lock so that only phase-lock must be achieved when switching to the RX signal.
3. Providing a smooth transition for RXCLK when moving from the local oscillator (at the beginning of a frame) and vice versa (at the end of a frame). The PLL acts as an integrator.

The IEEE 802.4 provides a PAD-IDLE or training signal at the beginning of any transmission. The PAD-IDLE for phase-coherent FSK is an alternating one and zero pattern, and the PLL is capable of being locked-in well within the 24

bit times (3 octets). The design goal is to be locked-in within 12-16 bit times. Data recovered during this lockup time at the

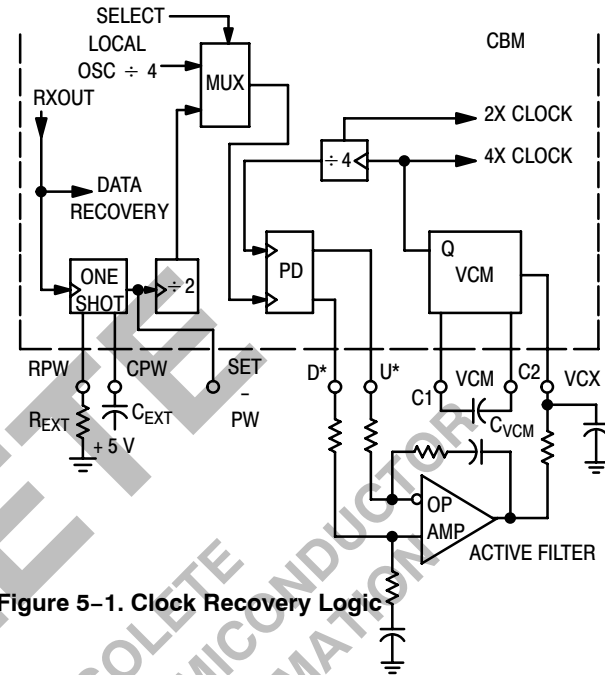
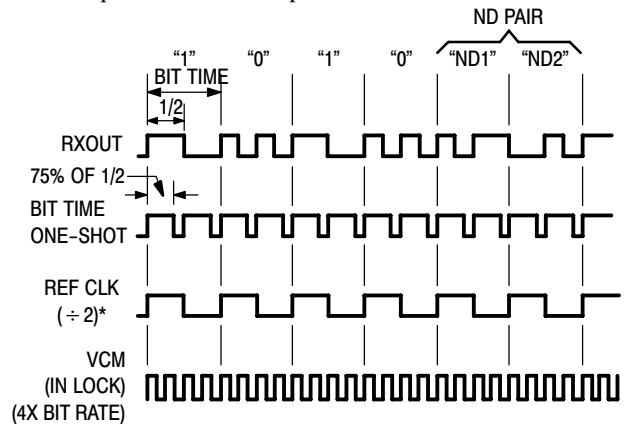


Figure 5-1. Clock Recovery Logic

beginning of a transmission can be invalid because the PLL clocks are not sync'ed. As a result the data recovery logic forces silence for 17-18 bit times after the carrier detect switches the reference clock (via the multiplexer) at the beginning of a received transmission.

5.2 ONE-SHOT

As previously stated, the one-shot is used to lock out the transitions due to the higher frequency component of the phase-coherent signal. The one-shot is non-retriggerable and fires off both edges of the incoming RXOUT signal. The time period should be set to 75% of half the bit time. As an example, the 5 Mb/s data rate has a 200 nsec bit time and the one-shot period then has a period of 75 nsec.



*NOTE: Ref clock can also be 180° out of phase with bit time.

Figure 5-2. Clock Recovery Timing Signals

Figure 5-3 shows the arrangement of the external timing capacitor and resistor. The internal resistor R_{INT} may be used with or without an external resistor. A test pin is also provided (SET-PW) to monitor the pulse width.

For 5 Mbps operation, typically $R_{PW} = 1.5 \text{ k}\Omega$ and $C_{PW} = 33 \text{ pF}$.

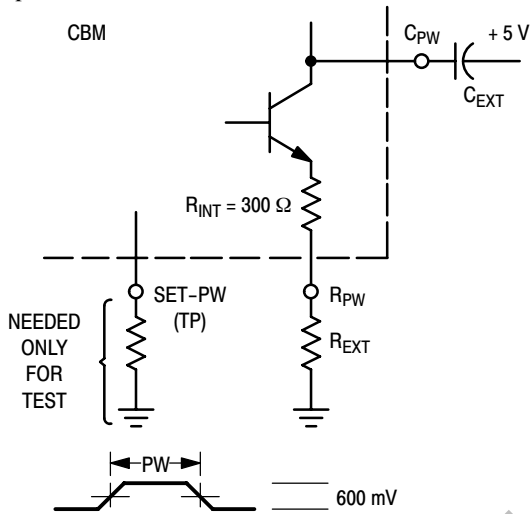
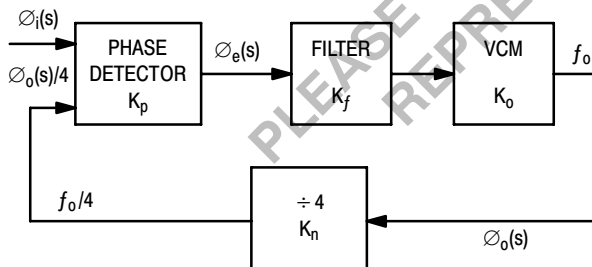


Figure 5-3. One-Shot Timing Components

5.3 PHASE-LOCKED LOOP (PLL) COMPONENTS

The PLL consists of a digital phase detector (PD), an active loop filter, a VCM, and a divide-by-4 feedback path. Figure 5-4 shows the fundamental elements of the PLL with their gain constants. The basic PLL allows the output frequency f_o to be “locked-on” to the input frequency f_i with a fixed phase relationship and to track it in frequency. When “in lock” the inputs to the phase detector have zero phase error. The input frequency is referenced to $f_o/4$.

A PLL follows classic servo theory and equations. In the following discussion a working knowledge of a PLL is assumed. For more background and applications information on PLL, the user is directed to Application Note AN535.



$$\Phi_e(s) = (1 / [1 + G(s) H(s)]) \Phi_i(s)$$

$$\Phi_o(s) = (G(s) / [G(s) H(s)]) \Phi_i(s)$$

where:

$$G(s) = K_p K_f K_o \quad H(s) = K_n \quad K_n = 1 / N = 1/4$$

Reference: App Note AN535

Figure 5-4. PLL Elements and Loop Equations

5.3.1 Phase Detector (PD)

The phase detector produces a voltage proportional to the phase difference between $\Phi_i(s)$ and $\Phi_o(s)/4$. This voltage after filtering is used as the control signal for the VCM. The PD has pump-up UP* and pump-down DOWN* outputs with a typical 800 mV logic swing. UP* produces a low level pulse equal in width to the amount of time the positive edge of Φ_i (REF CLOCK) leads the positive edge of $\Phi_o/4$ (VCM/4). DOWN* produces a low level pulse equal in width to the amount of time the positive edge of Φ_i lags $\Phi_o/4$. Both pulses will not occur on the same clock cycle as $\Phi_o/4$ must either lead or lag Φ_i when the PLL is out of lock. When in-lock, both outputs produce a very narrow pulse or negative spike.

The gain of the phase detector is equal to (reference app note AN532A):

$$K_p = (\text{Logic swing}) / 2\pi = 800 \text{ mV} / 2\pi = 0.127 \text{ V/radian}$$

5.3.2 Voltage Controlled Multivibrator (VCM)

The operating frequency range of the VCM is determined by the capacitor tied to pins VCM-C1 and VCM-C2. The capacitor should be selected to put the desired operating frequency in the center of the VCM tuning range.

The transfer function of the VCM is given by:

$$K_o = K_v / s$$

where K_v is the sensitivity in radians per second per volt. K_v is found by:

$$K_v = \frac{[(\text{Upper frequency limit}) - (\text{Lower frequency limit})] 2\pi}{(\text{Control voltage tuning range})}$$

$$= 2\pi (\Delta f) / \Delta V_{CX} \text{ rad/s/V}$$

then

$$K_o = 2\pi (\Delta f) / (\Delta V_{CX}) s \text{ rad/s/V}$$

5.3.3 Loop Filter

Since a Type 2 system is required (phase coherent output, see reference AN535), the loop transfer function of Figure 5-4 takes the form:

$$G(s) H(s) = [K (s+a)] / s^2$$

Writing the loop transfer function (from Figure 5-4) and relating it to the above form:

$$G(s) H(s) = [K_p K_v K_n K_f] / s = [K (s+a)] / s^2$$

Having determined K_p , K_o , and that $K_n = 1/4$ then K_f (filter transfer function) must take the form:

$$K_f = (s+a) / s$$

An active filter of the form shown in Figure 5-5A gives the desired results, where:

$$K_f = (R2 C s + 1) / R1 C s \text{ (for large A)}$$

The active filter can also be implemented as shown in Figure 5-5B using an alternate approach of a charge pump. The advantage of the charge pump design is that it can be implemented using only a single 5.0 volt supply. Its transfer function is:

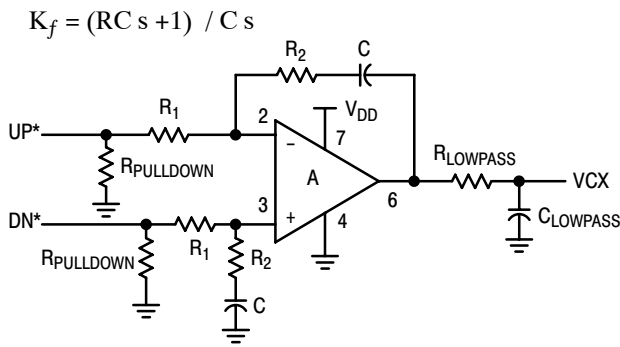


Figure 5-5A. Active Filter Using Op Amp

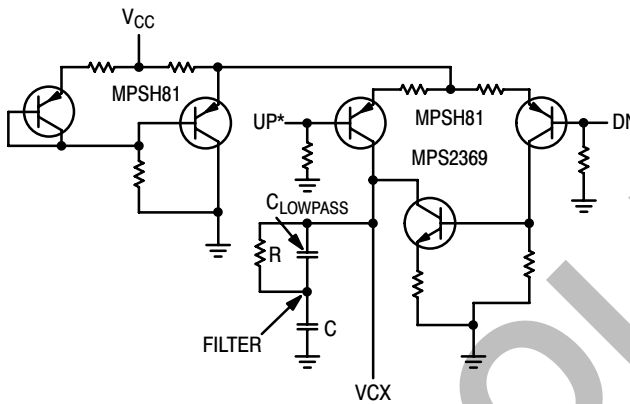


Figure 5-5B. Charge Pump/Filter

5.3.4 Loop Characteristics

If an active filter as shown with an op amp is used, the general PLL loop transfer function now becomes:

$$G(s) H(s) = K_p K_f K_o K_n = K_p [(R_2 C s + 1) / R_1 C s] (K_v / s) (1 / N)$$

Its characteristic equation is set to the form:

$$\text{C.E.} = 1 + G(s) H(s) = 0 = s^2 + (K_p K_v R_2) s / (R_1 N) + K_p K_v / (R_1 C N)$$

Relating to the standard form ($s^2 + 2\xi\omega_n s + \omega_n^2$) and solving:

$$\omega_n^2 = (K_p K_v) / R_1 C N \quad 2\xi\omega_n = (K_p K_v R_2) / R_1 N$$

where

ω_n = Natural frequency

ξ = damping factor.

If a charge pump loop filter is used, the general PLL loop transfer function alternately becomes:

$$G(s) H(s) = K_p K_f K_o K_n = K_p [(R C s + 1) / C s] (K_v / s) (1 / N)$$

Its characteristics equation is set to the form:

$$\text{C.E.} = 1 + (Gs) (Hs) = 0 = s^2 + (K_p K_v R) s / (N) + (K_p K_v) / (C N)$$

Relating to the standard form ($s^2 + 2\xi\omega_n s + \omega_n^2$) and solving:

$$\omega_n^2 = (K_p K_v) / C N \quad 2\xi\omega_n = (K_p K_v R) / N$$

SECTION 6 - DATA RECOVERY

6.1 OVERVIEW

The RXOUT signal from the receive amplifier and clocks generated by the clock recovery logic are used by the data recovery logic. The MC68194 recovers the data from the encoded receive signal by opening sampling windows around the 1/4 and 3/4 bit time positions and looking for edges in the received signal (refer to Figure 6-1 for the encoded data representations). A data ONE has transitions only at the 0 and 1/2 bit time positions. A data ZERO has transitions at the 0, 1/4, 1/2, and 3/4 bit time positions. A NON-DATA symbol has transitions at the 0, 1/4, and 1/2 bit time positions (ND1) or at the 0, 1/2, and 3/4 bit time positions (ND2). NON-DATA symbols should always occur in pairs; each pair is made up of one of each type of NON-DATA encoded symbols as shown in Figure 6-2 (ND1 followed by ND2).

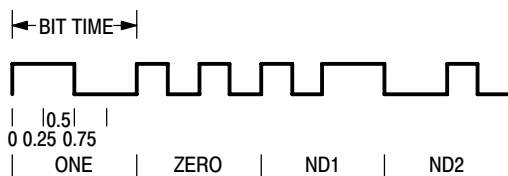


Figure 6-1. Encoded Data Representation

ONES, ZEROS, and NON-DATA pairs can be easily decoded by keeping track of the 1/4 and 3/4 bit time position transitions. The ONES, ZEROS, and NON-DATA pairs are then reported on the RXSYM pins as described in the serial interface discussion. Two other conditions can also be reported while receiving in MAC mode — BAD SIGNAL and SILENCE. BAD SIGNAL is reported when a ND1 symbol is not followed immediately by a ND2 symbol or when a ND2 symbol is received and not immediately preceded by a ND1 symbol.

SILENCE is reported when one of four conditions occurs:

1. When the amplitude of the received signal is not large enough to trigger the on-chip carrier detect circuit. Reporting SILENCE when the carrier detect signal is not asserted prevents the chip from responding to low level noise.
2. When in internal loopback mode and SILENCE is being requested on the TXSYM pins, SILENCE will be reported on the RXSYM pins. An internal digital carrier detect is used during loopback and this signal is negated when SILENCE is requested on the request channel.
3. During the PLL training period at the beginning of a transmission. When an incoming signal first triggers the

carrier detect in the amplifier, the PLL must lock to the new reference clock (generated from the data stream). During the lockup time, recovered data may not be valid. The data recovery logic forces SILENCE for a fixed period of time (17–18 bit times).

4. During end-of-transmission blanking. See Section 6.2.

The PAD-IDLE at the beginning of a transmission is used as a training signal as described in the clock recovery section. After the PLL has achieved lock, the recovered clock at this point may be in phase or 180° out of phase with the bit time clock at the sending end. This creates a problem for RXCLK and the data recovery logic because symbols would be decoded as the wrong combination of 1/2 bit time transitions.

Logic in the data recovery circuitry corrects for this situation. If the clock is 180° out of phase, the PAD-IDLE sequence (ONE, ZERO, ONE, ZERO, ONE, ...) will be decoded as a sequence of NON-DATA symbols. Refer to Figure 6-2. In normal data reception, NON-DATA symbols occur only in pairs; there are never three or more in a row. Therefore, three or more NON-DATA symbols occurring in a row indicate that the bit time clock is 180° out of phase and the bit time clock (RXCLK) must be slipped as shown in Figure 6-3. The clock frequency and phase have now been recovered and symbol decode proceeds as described below.

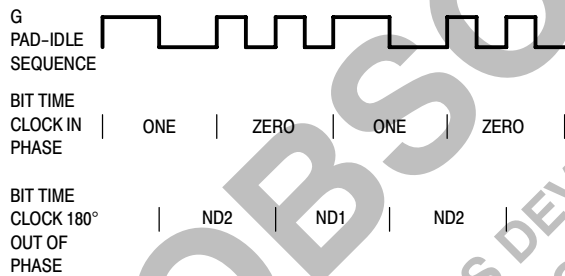


Figure 6.2 Training Sequence Decoded With In-Phase and Out-Of Phase Clocks

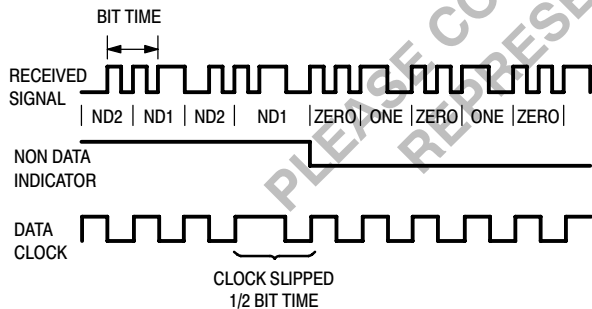


Figure 6-3. Clock Slip To Bring In Phase With Data Stream

6.2 RECEIVER END-OF-TRANSMISSION BLANKING

The IEEE 802.4 requires that the physical layer recognize the end of a transmission and report silence to the MAC for a period thereafter. This period of silence is referred to as blanking and must meet the following conditions:

1. Blanking must begin no later than 4 MAC-symbol times after the last MAC-symbol of the End Delimiter (i.e., the last End Delimiter of the transmission).
2. Blanking must continue to a point at least 24 MAC-symbol times but not more than 32 MAC-symbol times from the last MAC-symbol of the End Delimiter.

The MC68194 provides this function by recognizing the last End Delimiter of a transmission (I Bit = 0, see Section 1.3). The CBM reports silence for 32 symbols after the last symbol of the End Delimiter.

The blanking function can be disabled for test purposes or non-IEEE 802.4 applications via the EOTDIS* input.

SECTION 7 – SERIAL INTERFACE

7.1 OVERVIEW

The serial interface is composed of the Physical Data Request Channel and the Physical Data Indication Channel. The serial interface is used to pass commands and data frames to and from the CBM.

7.2 PHYSICAL DATA REQUEST CHANNEL

Five signals comprise the physical data request channel. Three of these signals (TXSYM2, TXSYM1 and TXSYM0) are multiplexed and have different meanings depending on the mode of SMREQ*. When SMREQ* is equal to one, the MAC mode is selected. When SMREQ* is equal to zero, the physical layer management mode is selected.

7.2.1 TXCLK — Transmit Clock

The transmit clock can be from 1.0 to 10 MHz. TXSYM2, TXSYM1, TXSYM0 and SMREQ* are synchronized to TXCLK. The IEEE 802.4 standard for carrier band allows for 5.0 or 10 MHz clocks.

7.2.2 SMREQ* — Station Management Request

SMREQ* directs the physical layer to be in MAC or physical layer management mode. In MAC mode SMREQ* = 1 and in management mode SMREQ* = 0.

7.2.3 TXSYM0, TXSYM1, and TXSYM2 — Transmit Symbols

In physical layer management mode TXSYM2, TXSYM1 and TXSYM0 have the meanings shown in Figure 7-1.

State	TXSYM2	TXSYM1	TXSYM0
RESET	1	1	1
DISABLE LOOPBACK	1	0	1
ENABLE TRANSMITTER	0	1	1
SERIAL SM DATA/IDLE	0	0	0/1

Figure 7-1. Request Channel Encoding for Physical Management Mode (SMREQ* = 0)

The CBM supports only four station management commands (RESET, LOOPBACK DISABLE, ENABLE TRANSMITTER and IDLE) encoded on lines TXSYM2, TXSYM1 and TXSYM0. The CBM does not support the SMDATA commands, but responds with a "NACK". In MAC mode, the encoding for TXSYM2, TXSYM1, and TXSYM0 are shown in Figure 7-2.

Symbol	TXSYM2	TXSYM1	TXSYM0
ZERO	0	0	0
ONE	0	0	1
NON-DATA	1	0	X
PAD-IDLE	0	1	X
SILENCE	1	1	X

Where:

ZERO is binary zero.

ONE is binary one.

NON-DATA is a delimiter flag and is always present in pairs.

PAD-IDLE is one symbol of preamble/interframe idle.

SILENCE is silence or no signal.

Figure 7-2. Request Channel Encoding For MAC Mode (SMREQ* = 1)

7.3 PHYSICAL DATA INDICATION CHANNEL

Five signals comprise the physical data indication channel. Three of these signals (RXSYM2, RXSYM1 and RXSYM0) are multiplexed and have different meanings depending on the state of SMIND*. When SMIND* is equal to one, the physical layer is in MAC mode and when SMIND* is equal to zero, the physical layer is in management mode or an error has occurred.

7.3.1 RCCLK — Receive Clock

The receive clock can be from 1.0 to 10 MHz. RXSYM2, RXSYM1, RXSYM0, and SMIND* are synchronized to RXCLK. The IEEE 802.4 standard for carrier band networks allows 5.0 or 10 MHz clocks.

7.3.2 SMIND* — Station Management Indication

SMIND* indicates whether the physical layer is in MAC mode (SMIND* = 1) or management mode (SMIND* = 0) of operation. When in MAC mode of operation, the physical layer has RXSYM2, RXSYM1, and RXSYM0 encoded indicating data reception. When in management mode of operation, the physical layer RXSYM2, RXSYM1 and RXSYM0 are encoded to confirm response to received commands or to indicate a physical error (jabber inhibit).

7.3.3 RXSYM0, RXSYM1 and RXSYM2 — Receive Symbols

The encoding for RXSYM2, RXSYM1, and RXSYM0 in physical management mode is shown in Figure 7-3:

State	RXSYM2	RXSYM1	RXSYM0
NACK (non-acknowledgement)	1	0	*
ACK (acknowledgement)	0	1	*
IDLE	0	0	1
Physical Layer Error	1	1	1

*Indicates RXSYM0 contains the SM RX data when responding to a serial data command.

7.3.3 Indication Channel Encoding For Physical Management Mode (SMIND* = 0)

The encoding of RXSYM2, RXSYM1, and RXSYM0 in MAC mode is shown in Figure 7-4.

Symbol	RXSYM2	RXSYM1	RXSYM0
ZERO	0	0	0
ONE	0	0	1
NON-DATA	1	0	X
SILENCE	1	1	X
BAD SIGNAL	0	1	X

Where:

ZERO is the received data zero.

ONE is the received data one.

NON-DATA is a delimiter flag and is always present in pairs.

SILENCE is silence or no signal.

BAD SIGNAL is received bad signal.

X = Don't care.

Figure 7-4. Indication Channel Encoding For MAC Mode (SMIND* = 1)

SECTION 8 PHYSICAL MANAGEMENT

8.1 OVERVIEW

The MC68194 supports four physical management commands on the request channel: RESET, DISABLE LOOPBACK, ENABLE TRANSMITTER, and IDLE. The serial data station management commands are not implemented in the MC68194. These unimplemented commands are typically used to set up and read registers or control bits within a more complex modem. The CBM does not have registers and does not require the SMDATA commands. Upon reception of a SMDATA command, the CBM will respond with a NONACKNOWLEDGEMENT (NACK) and a response byte in accordance with the IEEE DTE–DCE Interface Standard. The data in the response byte is all ZEROs. Receipt of a RESET, DISABLE LOOPBACK, or ENABLE TRANSMITTER command will abort the SMDATA response.

8.2 RESET

The RESET command performs the same function as the RESET pin; the internal loopback mode is enabled, the transmitter outputs are disabled and TXDIS is enabled, and the jabber inhibit timeout is cleared. In addition the RESET command will generate an ACKNOWLEDGEMENT response (ACK) on the RXSYMx pins.

The RESET pin is an asynchronous function. When taken high it resets the CBM as described above leaving the CBM ready to respond to the physical data request channel.

NOTE: For the MC68194 to respond properly to commands after a hardware reset, the request channel must either be in MAC mode upon exiting the hardware reset or the request channel must go to MAC mode briefly before going to management mode. If the MC68194 is in management mode upon exiting the hardware reset, it remains reset and does not recognize the command because it is waiting for a MAC mode to management mode transition. This situation can be corrected by either exiting hardware reset with the request channel in MAC mode or putting the request channel in MAC mode briefly before issuing any management commands. See Section 8.6 for command response timing.

8.3 INTERNAL LOOPBACK

The internal loopback mode is provided for testing the CBM. In this mode a multiplexer selects the internal transmitter signal to drive the clock recovery and data recovery portions of the receive circuitry. This transmit signal is taken just prior to the output buffer stages of the transmitter circuit.

The loopback mode can only be selected via RESET (management command or external pin). Loopback mode is exited upon receipt of the management command DISABLE LOOPBACK. The CBM will respond with ACK to this command.

A normal sequence of events to test the CBM then would be:

1. Initialize the CBM via a RESET command or hardware reset.
2. Return to MAC mode and send test data. The CBM is full duplex.
3. In management mode, send DISABLE LOOPBACK command to exit loopback.

Following the test the modem can be setup for standard operation.

8.4 STANDARD OPERATION

Standard operation requires that the transmitter be enabled as well as disabling loopback. The transmitter is automatically disabled on RESET. Three things must happen after a RESET before transmissions can begin:

1. Loopback mode must be exited with the DISABLE LOOPBACK command. The MC68194 responds to this command with the ACK management response.
2. The transmitter must be activated with the ENABLE TRANSMITTER command. The MC68194 responds to this command with the ACK management response.
3. The MC68194 must exit the management mode and enter the MAC data mode.

The CBM is now ready to send and receive data, i.e., the CBM is in MAC or data mode, loopback is disabled, and the transmitter is enabled.

8.5 IDLE

The CBM provides the IDLE response when an IDLE management command is received. In addition, the IDLE response is returned for all invalid, as opposed to unimplemented (SMDATA) commands.

8.6 COMMAND RESPONSE TIMING

The MC68194's management command/response operation is:

1. ACK response to RESET, DISABLE LOOPBACK, and ENABLE TRANSMITTER within 2 clock periods. As shown in Figure 8–1, the precise response time depends on the relative phase of the TXCLK and the RXCLK signals. If they are in phase, the response will be available at the RXSYMx pins 1.5 clocks after the command is latched. If the clocks are 180° out of phase, the delay will be 2 clocks. The command should be held on the TXSYMx pins until the response is received on the RXSYMx pins.
2. The IDLE command and all invalid commands will produce the IDLE response with the same delay as described above.
3. The SMDATA command response timing is shown in Figure 8–2. The NACK response to the SMDATA command is available on the RXSYMx pins in 2.5 or 3

MC68194

clock periods depending on the relative phases of the TXCLK and RXCLK signals. When NACK becomes valid, RXSYM0 is low creating a start bit for the response byte. NACK is held for 9 clock periods with RXSYM0 low (start bit plus 8 ZERO data bits). NACK is held for one additional clock with RXSYM0 high. This is the stop bit and mark the end of the SMDATA response byte. 12.5 or 13 clock periods after receiving the SMDATA command the NACK response is removed.

In management mode, RXCLK is always locked to TXCLK. These clocks may be in phase or 180° out of phase as discussed above. This uncertainty exists because the clock recovery PLL can lock to either phase of the local clock. The response delays relative to TXCLK may therefore differ by 1/2 clock period. The MC68194 must leave management mode, enter MAC mode, and return to management mode for a phase change to occur. The relative phase of the two clocks will not change while in management mode.

Because the clock recovery PLL requires a training period when first entering management mode, the PLL must have

sufficient time to lock to the new clock source (TXCLK) before being required to provide a response. To provide enough time for the PLL to lock up, the MC68194 delays 16.5 to 17 clock periods before entering station management mode (SMIND* = 0) after the station management mode is selected (SMREQ* = 0). Refer to Figure 8-3 for the timing diagram. During this delay, the MAC mode SILENCE response will be present on the RXSYMX pins.

Users must be aware that when first requesting management mode there will be this added delay before the mode is entered and a response is available. If a management command is sent along with the station management mode request (SMREQ* = 0) and held on the TXSYMX pins until the CBM enters station management mode, the proper response will be available on the RXSYMX pins immediately except in the case of SMDATA commands. SMDATA commands must not be requested on the TXSYMX pins until after SMIND* indicates that station management mode has been entered.

OBSOLETE
THIS DEVICE IS OBSOLETE
PLEASE CONTACT YOUR ON SEMICONDUCTOR
REPRESENTATIVE FOR INFORMATION

MC68194

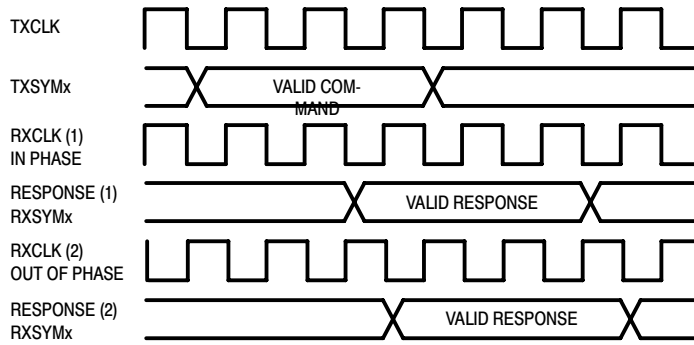


Figure 8-1. Parallel Command Response Time

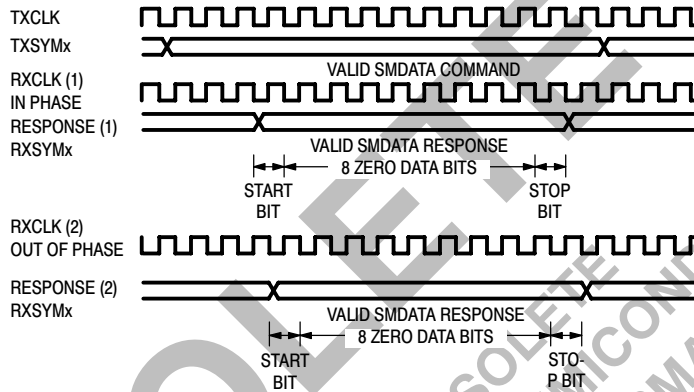


Figure 8-2. SMDATA Command Response Time

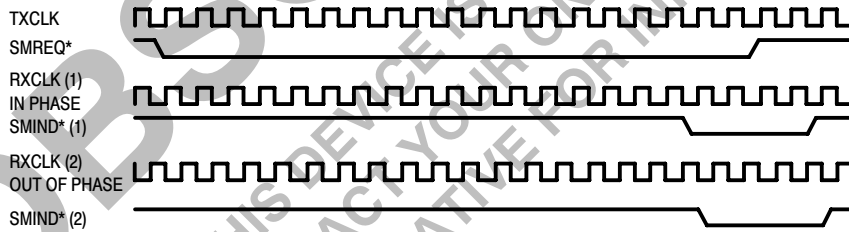


Figure 8-3. Station Management Request Response Time

MC68194

SECTION 9 MC68194 CARRIER BAND MODEM ELECTRICAL SPECIFICATIONS

MAXIMUM RATINGS (Limits Beyond Which Device Life May Be Impaired)

Characteristic	Symbol	Value	Unit
Supply Voltage	V_{CC}	0 to +7.0	Vdc
TTL Input Voltage	V_{IN}	0 to +5.5	Vdc
TTL Output Voltage (Applied to output HIGH)	V_{OUT}	0 to +5.5	Vdc
ECL Output Source Current	I_{out}	50	mAdc
Storage Temperature Cerquad	T_{stg}	-55 to +165	°C
Junction Temperature Cerquad	T_J	165	°C

GUARANTEED OPERATING RANGES

Characteristic	Symbol	Value			Unit
		Min	Typ	Max	
Supply Voltage	V_{CC}	4.75	5.0	5.25	Vdc
Operating Temperature (Cerquad in still air)	T_A	0	25	70	°C

DC ELECTRICAL CHARACTERISTICS

Characteristic	Symbol	Limits			Unit	Test Conditions
		Min	Typ	Max		

TTL INPUTS (TXSYM0-TXSYM2, SMREQ*, RESET, EOTDIS)†

($T_A = 0-70^{\circ}\text{C}$, $V_{CC} = 5.0 \text{ Vdc} \pm 5\%$)

Input HIGH Voltage	V_{IH}	2.0			Vdc	
Input LOW Voltage	V_{IL}			0.8	Vdc	
Input HIGH Current	I_{IH}			20	μA	$V_{CC} = \text{MAX}$, $V_{IN} = 2.7 \text{ Vdc}$
Input LOW Current	I_{IL}			-0.7	mA	$V_{CC} = \text{MAX}$, $V_{IN} = 0.4 \text{ Vdc}$

†All TTL inputs include a 15 k-ohm pullup resistor to V_{CC} .

TTL OUTPUTS (TXCLK, RXSYM0-RXSYM2, SMIND*, RXCLK, JAB)

($T_A = 0-70^{\circ}\text{C}$, $V_{CC} = 5.0 \text{ Vdc} \pm 5\%$)

Output HIGH Voltage	V_{OH}	2.7			Vdc	$V_{CC} = \text{MIN}$, $I_{OH} = \text{MAX}$
Output LOW Voltage	V_{OL}			0.5	Vdc	$V_{CC} = \text{MIN}$, $I_{OL} = \text{MAX}$
Output HIGH Current	I_{OH}			-0.4	mA	
Output LOW Current	I_{OL}			8.0	mA	

ECL OUTPUTS (TXOUT, TXOUT*)

($T_A = 25^{\circ}\text{C}$, $V_{CC} = 5.0 \text{ Vdc}$)

Output HIGH Voltage	V_{OH}		4.10		Vdc	$R_{pulldown} = 220 \Omega$
Output LOW Voltage	V_{OL}		3.28		Vdc	$R_{pulldown} = 220 \Omega$

OPEN COLLECTOR OUTPUT (TXDIS)

($T_A = 25^{\circ}\text{C}$, $V_{CC} = 5.0 \text{ Vdc}$)

Output LOW Current	I_{OL}	450		550	μA	$V_{OL} = 3.0 \text{ Vdc}$
Output HIGH Leakage Current	I_{OH}			50	μA	$V_{OH} = 5.0 \text{ Vdc}$

RECEIVER (SINGLE-ENDED OPERATION)

GAIN Output Voltage HIGH	G_{VOH}		4.2		Vdc	$I_{OH} = 5.0 \text{ mA}$
GAIN Output Voltage LOW	G_{VOL}		3.6		Vdc	$I_{OL} = 5.0 \text{ mA}$
Input Signal (for limiting)	RV_{IN}		+17		dBmV	GAIN output = 600 mV
Detected Threshold	V_{thres}		+18		dBmV	$R_{THRES} = 120 \text{ k}\Omega$ to V_{CC}

PHASE DETECTOR OUTPUTS (UP*, DOWN*)

Phase Detector Output Voltage HIGH	PD_{VOH}		4.0		Vdc	$I_{OH} = 10 \text{ mA}$
Phase Detector Output Voltage LOW	PD_{VOL}		3.3		Vdc	$I_{OL} = 10 \text{ mA}$

MC68194

DC ELECTRICAL CHARACTERISTICS (cont.)– OTHER PARAMETERS – (T_A = 25°C, V_{CC} = 5.0 Vdc)

POWER SUPPLY DRAIN CURRENT

Characteristic	Symbol	Limits			Unit	Test Conditions
		Min	Typ	Max		
Power Supply Drain Current	I _{CC}		220	270	mA	No outputs loaded, TTL inputs open.

VCM

VCM Oscillator	F _{osc1}		40		MHz	C _{vcm} = 24 pF, RXCLK = 5.0 MHz, VCX = 3.6 Vdc
Frequency	F _{osc2}		20		MHz	C _{vcm} = 68 pF, RXCLK = 10 MHz, VCX = 3.6 Vdc
VCM Tuning Ratio	TR		4.0			
VCX Tuning Range	V _{CX} V _{CX}	2.6		4.6	Vdc	

ONE–SHOT

SET–PW Output Voltage HIGH	PW _{VOH}		4.2		Vdc	I _{OH} = 5.0 mA
SET–PW Output Voltage LOW	PW _{VOL}		3.6		Vdc	I _{OL} = 5.0 mA
Timing Current	I _T		0.8	4.0	mA	
Internal Resistor	R _{int}		300		Ohms	
Timing Reference Voltage (measured at RPW pin)	V _{ref}	1.2	1.3	1.4	Vdc	I _T = 0.8 mA
External Timing Resistor	R _{EXT}		1.5		kΩ	For 5.0 Mb/s data rate.
External Timing Capacitor	C _{EXT}		33		pF	For 5.0 Mb/s data rate.

JABBER TIMER

RC Threshold High	JAB _{VIH}		4.25		Vdc	I _{IN} = 5.0 μA Max
RC Output V _{OL}	JAB _{VOL}		0.4		Vdc	I _{OL} = 10 mA
Jabber Resistor	R _{JAB}		120	125	kΩ	For 0.5 sec timing
Jabber Capacitor	C _{JAB}		2.2		μF	For 0.5 sec timing

CRYSTAL OSCILLATOR

Input HIGH Voltage	V _{IH}	3.0			Vdc	XTAL1 & XTAL2 tied together
Input LOW Voltage	V _{IL}			2.0	Vdc	XTAL1 & XTAL2 tied together

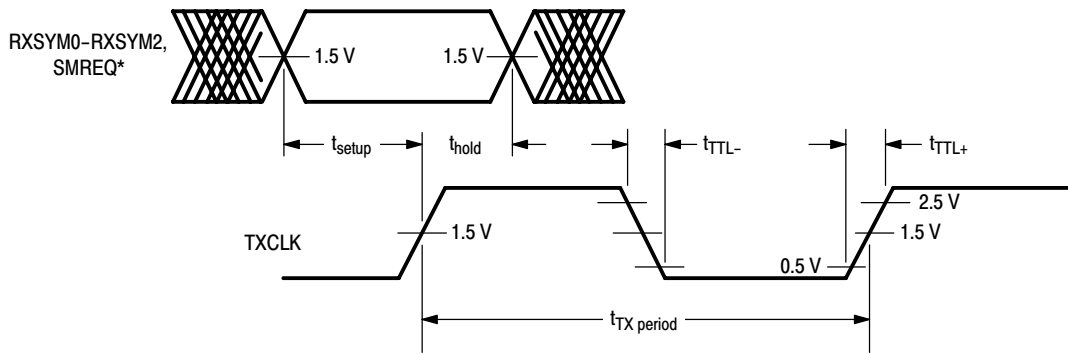
AC ELECTRICAL CHARACTERISTICS††

(T_A = 0–70°C, V_{CC} = 5.0 Vdc ± 5%)

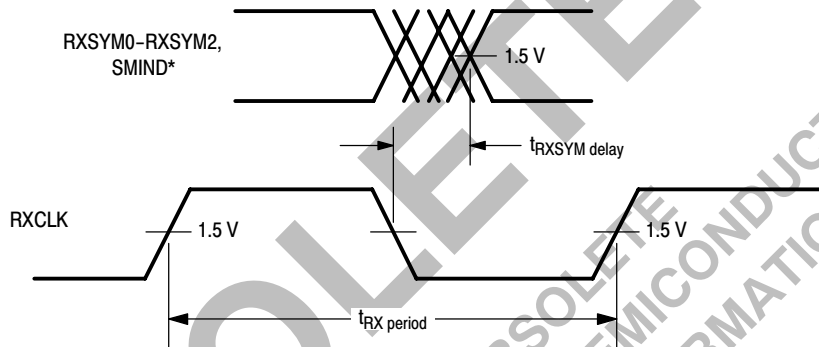
Characteristic	Symbol	Limits			Unit	Test Conditions
		Min	Typ	Max		
TXCLK Period	t _{TXperiod}	180	200	220		@ 5.0 MHz, Figure 9–1A.
RXCLK Period	t _{RXperiod}	180	200	220		@ 5.0 MHz, PLL locked to TXCLK, Figure 9–1B.
TTL Rise/Fall Time	t _{TTL±}		4.0		ns	Figure 9–1A.
TXSYM, SMREQ* Setup Time (to TXCLK)	t _{setup}		15	25	ns	Figure 9–1A.
TXSYM, SMREQ* Hold Time (to TXCLK)	t _{hold}		–9.0	0	ns	Figure 9–1A.
RXSYM, SMIND* Delay Time (to RXCLK)	t _{RXSYM delay}	0	2.5	5.0	ns	Figure 9–1B.
XTAL1,2 to TXCLK Delay	t _{TXCLK delay}		18		ns	Figure 9–1C. XTAL1 and XTAL2 tied together and driven with external source.
TXOUT, TXOUT* Rise/Fall Time	t _{TXOUT±}		1.5		ns	R _{pulldown} = 500 Ω
UP*, DOWN* Rise/Fall Time	t _{PD±}		1.5		ns	R _{pulldown} = 500 Ω
TXDIS Rise/Fall Time	t _{TXDIS±}		35		ns	2.0 kΩ pullup to V _{CC} . Do not use Figure 9–2 test load.

†† See Figure 9–2 for AC test load.

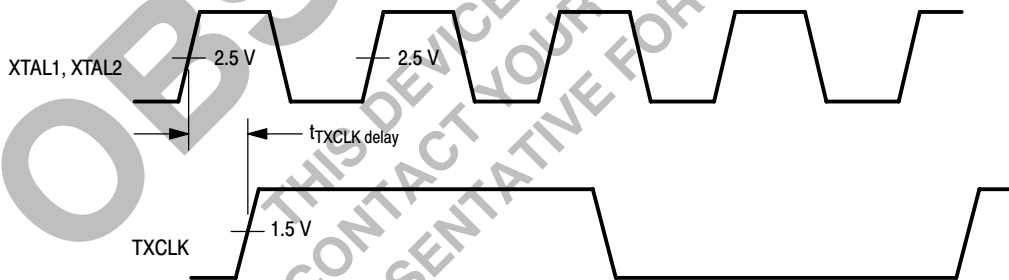
MC68194



(A) TXSYM, SMREQ* Setup and Hold Timing to TXCLK



(B) RXSYM, SMIND* Delay Timing to RXCLK



(C) TXCLK Delay Timing to XTAL1, XTAL2

Figure 9-1. AC Test Waveforms

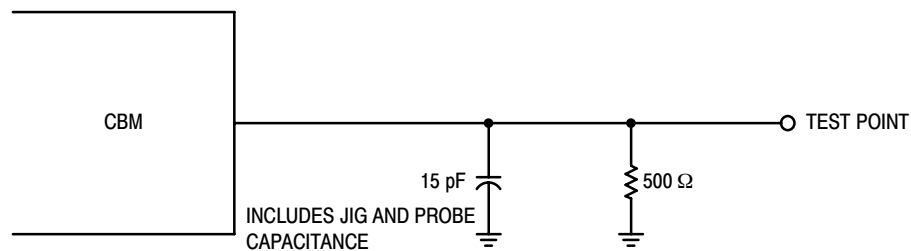


Figure 9-2. TTL, TXOUT, TXOUT*, Up* & Down* AC Test Load

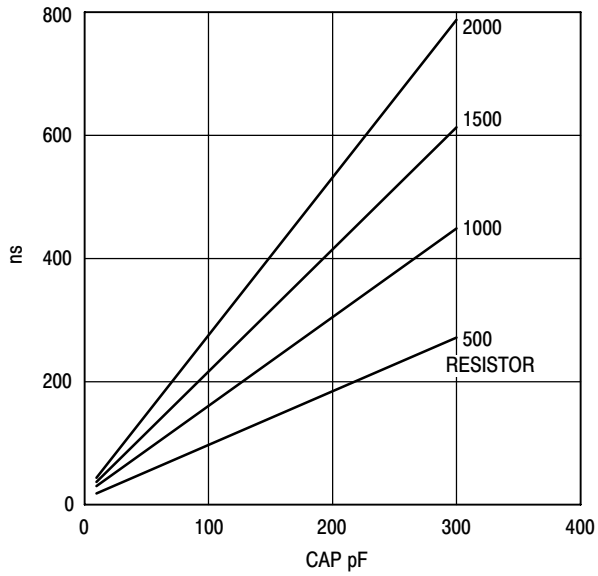


Figure 9-3. One Shot Pulse Width versus Rext/Cext

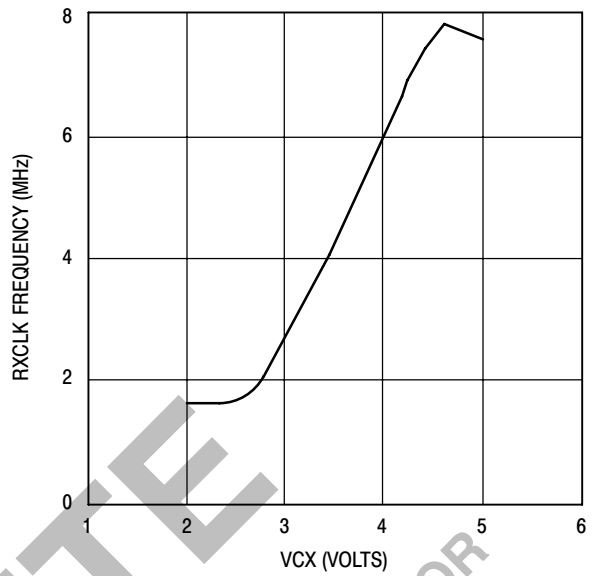


Figure 9-4. VCM Frequency versus Control Voltage ($V_{CC} = 5.0 \text{ Vdc}$ & $C = 68 \text{ pF}$)

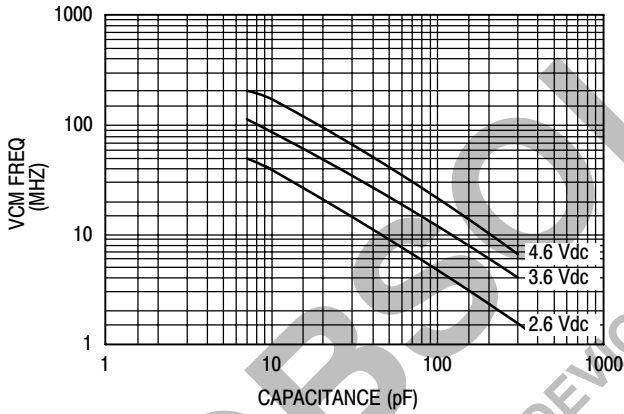


Figure 9-5. VCM Frequency versus Capacitance

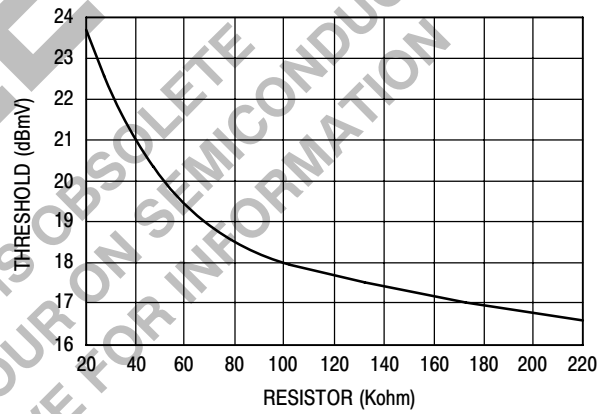


Figure 9-6. Detected Threshold versus Threshold Resistor

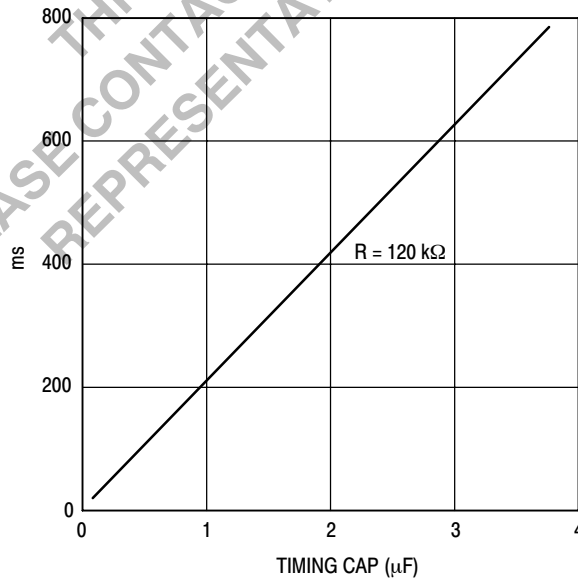
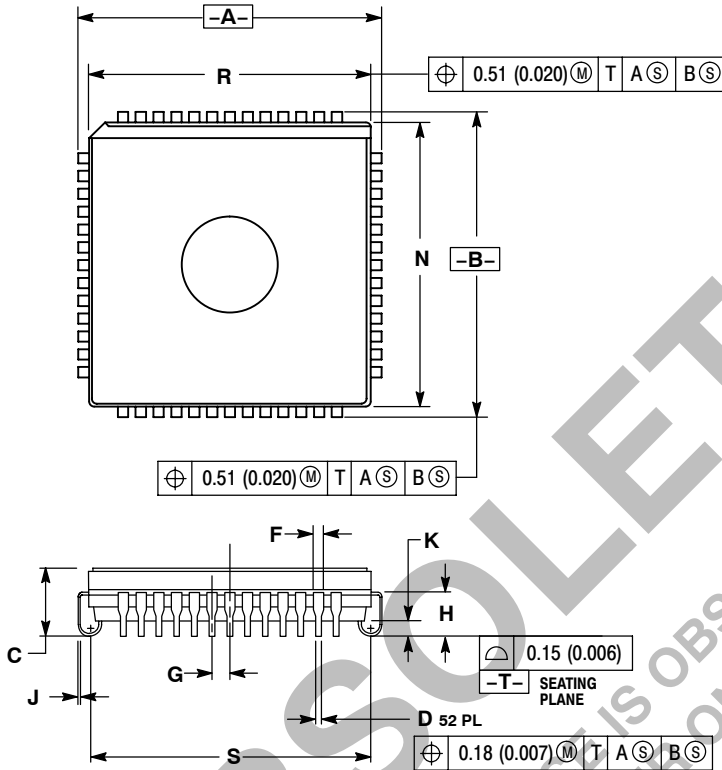


Figure 9-7. Jagger Time Constant versus Capacitance

MC68194

PACKAGE DIMENSIONS

FJ SUFFIX
J-LEAD CERQUAD PACKAGE
 CASE 778B-01
 ISSUE O



NOTES:

1. DIMENSIONING AND TOLERANCING PER ANSI Y14.5M, 1982.
2. CONTROLLING DIMENSION: INCH.
3. DIMENSION R AND N DO NOT INCLUDE GLASS PROTRUSION. GLASS PROTRUSION TO BE 0.25 (0.010) MAXIMUM.
4. ALL DIMENSIONS AND TOLERANCES INCLUDE LEAD TRIM OFFSET AND LEAD FINISH.

DIM	INCHES		MILLIMETERS	
	MIN	MAX	MIN	MAX
A	0.785	0.795	19.94	20.19
B	0.785	0.795	19.94	20.19
C	0.165	0.200	4.20	5.08
D	0.017	0.021	0.44	0.53
F	0.026	0.032	0.67	0.81
G	0.050 BSC		1.27 BSC	
H	0.090	0.130	2.29	3.30
J	0.006	0.010	0.16	0.25
K	0.035	0.045	0.89	1.14
N	0.735	0.756	18.67	19.20
R	0.735	0.756	18.67	19.20
S	0.690	0.730	17.53	18.54

ON Semiconductor and are registered trademarks of Semiconductor Components Industries, LLC (SCILLC). SCILLC reserves the right to make changes without further notice to any products herein. SCILLC makes no warranty, representation or guarantee regarding the suitability of its products for any particular purpose, nor does SCILLC assume any liability arising out of the application or use of any product or circuit, and specifically disclaims any and all liability, including without limitation special, consequential or incidental damages. "Typical" parameters which may be provided in SCILLC data sheets and/or specifications can and do vary in different applications and actual performance may vary over time. All operating parameters, including "Typicals" must be validated for each customer application by customer's technical experts. SCILLC does not convey any license under its patent rights nor the rights of others. SCILLC products are not designed, intended, or authorized for use as components in systems intended for surgical implant into the body, or other applications intended to support or sustain life, or for any other application in which the failure of the SCILLC product could create a situation where personal injury or death may occur. Should Buyer purchase or use SCILLC products for any such unintended or unauthorized application, Buyer shall indemnify and hold SCILLC and its officers, employees, subsidiaries, affiliates, and distributors harmless against all claims, costs, damages, and expenses, and reasonable attorney fees arising out of, directly or indirectly, any claim of personal injury or death associated with such unintended or unauthorized use, even if such claim alleges that SCILLC was negligent regarding the design or manufacture of the part. SCILLC is an Equal Opportunity/Affirmative Action Employer. This literature is subject to all applicable copyright laws and is not for resale in any manner.

PUBLICATION ORDERING INFORMATION

LITERATURE FULFILLMENT:
 Literature Distribution Center for ON Semiconductor
 P.O. Box 5163, Denver, Colorado 80217 USA
Phone: 303-675-2175 or 800-344-3860 Toll Free USA/Canada
Fax: 303-675-2176 or 800-344-3867 Toll Free USA/Canada
Email: orderlit@onsemi.com

N. American Technical Support: 800-282-9855 Toll Free USA/Canada
Europe, Middle East and Africa Technical Support:
 Phone: 421 33 790 2910
Japan Customer Focus Center
 Phone: 81-3-5773-3850

ON Semiconductor Website: www.onsemi.com
Order Literature: <http://www.onsemi.com/orderlit>
 For additional information, please contact your local Sales Representative