

# An Introduction to the MC68331 and MC68332

By Sharon Darley, Mark Maiolani, and Charles Melear

## 1 INTRODUCTION

Use of microcontrollers (MCUs) presents new challenges as clock speeds increase and bus structures become more complex. In particular, designing a system with Freescale's 32-bit MC68331 or MC68332 can be challenging for those used to the 8-bit world.

The MC68331 and MC68332 are members of the Freescale modular microcontroller family, a series of 16-bit and 32-bit devices constructed from standard on-chip peripheral modules that communicate by means of a standard intermodule bus. The MC68331 is a sophisticated single-chip control system that incorporates a 32-bit CPU module (CPU32), a system integration module (SIM), a queued serial module (QSM), and a general-purpose timer (GPT). The MC68332 is identical except that it has a time processor unit (TPU) instead of a GPT, and it has one additional module: a 2-Kbyte standby RAM (SRAM) with TPU emulation capability. Thus, both the MC68331 and the MC68332 provide a designer with many options, ranging from reset configuration to interrupt generation, that must be considered during the design phase.

This tutorial is intended to assist development and reduce debug time for first-time designers of MC68331 or MC68332 systems. It covers four major topics: designing the hardware, establishing communication, initializing the MCU, and troubleshooting. Each topic is discussed in a separate section that includes practical examples.

The tutorial provides a "hands-on" supplement to the *MC68331 User's Manual* (MC68331UM/AD) and *MC68332 User's Manual* (MC68332UM/AD) which present comprehensive overviews of these MCUs. For more information on device operation, electrical characteristics, registers, and control bit definition, refer to the appropriate sections of the manual. For more detailed information, refer to the reference manual for each of the on-chip peripheral modules. Refer to **6 SOURCES OF INFORMATION** for a complete list of MC68331 and MC68332 technical literature.

The software examples included in the tutorial and a sample system schematic are available through Freeware Data Systems. The files are in the mcu332 directory in an archived file called 331\_2ini.zip. See **6.2 Freeware Data Systems** for the phone number for modem access and addresses for internet access.

Section		Page
<b>1</b>	<b>INTRODUCTION</b>	<b>1</b>
<b>2</b>	<b>DESIGNING THE HARDWARE</b>	<b>3</b>
2.1	Using Data Bus Pins to Configure the MCU .....	3
2.2	Choosing Memory Width .....	5
2.3	Pins that Need Pull-Up Resistors .....	5
2.4	Using Sockets .....	6
2.5	Clock Circuitry .....	7
2.6	Getting Out of Reset .....	12
2.7	Power Supply .....	14
2.8	Designing for Electromagnetic Compatibility .....	15
2.9	Connecting Memory and Peripherals .....	18
2.10	Using External Interrupts .....	22
<b>3</b>	<b>ESTABLISHING COMMUNICATION</b>	<b>26</b>
3.1	Communicating with the Target Board .....	26
3.2	Communicating with Freescale Boards .....	28
<b>4</b>	<b>SYSTEM INITIALIZATION</b>	<b>31</b>
4.1	Configuring the Central Processing Unit .....	31
4.2	Configuring the System Integration Module .....	33
4.3	Configuring Internal RAM .....	37
4.4	Configuring The Queued Serial Module .....	37
4.5	Configuring the General-Purpose Timer .....	40
4.6	Configuring the Time Processor Unit .....	43
<b>5</b>	<b>TROUBLESHOOTING</b>	<b>48</b>
5.1	Critical Signals to Check .....	48
5.2	Common Problems and Solutions .....	48
<b>6</b>	<b>SOURCES OF INFORMATION</b>	<b>52</b>
6.1	Technical Literature .....	52
6.2	Freeware Data Systems .....	54
6.3	Other Sources .....	54

# Freescale Semiconductor, Inc.

## 2 DESIGNING THE HARDWARE

### 2.1 Using Data Bus Pins to Configure the MCU

The logic level of the data bus pins during reset determines many important operating characteristics of the MCU. Ensuring that the data bus is in a known condition during reset is vital to proper operation because the state of each data bus pin is sampled on the rising edge of the  $\overline{\text{RESET}}$  signal. The data bus pins have weak internal pull-up circuitry that should cause them to default to a logic one if left floating (the pull-up current is 15 to 120  $\mu\text{A}$ ). However, since it is possible for external bus loading to overcome these internal pull-ups, it is a good idea to drive data bus pins that are critical to successful operation of the application to a known condition during reset and for at least five ns afterwards (there is a five ns hold time requirement after the release of  $\overline{\text{RESET}}$  for a data bus pin to be recognized at a particular logic level). **Table 1** shows how each data bus pin affects the system configuration.

**Table 1 Reset Mode Selection**

Mode Select Pin	Default Function (Pin Left High)	Alternate Function (Pin Pulled Low)
DATA0	$\overline{\text{CSBOOT}}$ is 16-bit port	$\overline{\text{CSBOOT}}$ is 8-bit port
DATA1	$\overline{\text{CS0}}$ $\overline{\text{CS1}}$ $\overline{\text{CS2}}$	$\overline{\text{BR}}$ $\overline{\text{BG}}$ $\overline{\text{BGACK}}$
DATA2	$\overline{\text{CS3}}$ $\overline{\text{CS4}}$ $\overline{\text{CS5}}$	FC0 FC1 FC2
DATA3 <sup>1</sup> DATA4 DATA5 DATA6 DATA7	$\overline{\text{CS6}}$ $\overline{\text{CS}}[7:6]$ $\overline{\text{CS}}[8:6]$ $\overline{\text{CS}}[9:6]$ $\overline{\text{CS}}[10:6]$	ADDR19 ADDR[20:19] ADDR[21:19] ADDR[22:19] ADDR[23:19]
DATA8	DSACK0, DSACK1, AVEC, DS, AS, SIZE	PORTE I/O pins
DATA9	$\overline{\text{IRQ}}[7:1]$ , MODCLK	PORTF I/O pins
DATA11	Slave Mode Disabled <sup>2</sup>	Slave Mode Enabled <sup>2</sup>
MODCLK	VCO = System Clock	EXTAL = System Clock
BKPT	Background Mode Disabled	Background Mode Enabled

Notes:

1. Only one data bus pin in this group needs to be driven low to select the alternate function for any of the affected pins. For example, to select ADDR[21:19] instead of CS[7:6], drive DATA5 low at the release of reset, and pull DATA3, DATA4, DATA6, and DATA7 high.
2. Slave mode is not a supported mode; it is used for factory testing. The slave mode must not be used in a customer application.

As an example, **Table 1** shows that the state of data bus pin 0 (DATA0) during reset determines whether  $\overline{\text{CSBOOT}}$  operates as a 16-bit chip-select or as an 8-bit chip-select. Likewise, data bus pin 1 (DATA1) determines whether the  $\overline{\text{CS0}}/\overline{\text{BR}}$ ,  $\overline{\text{CS1}}/\overline{\text{BG}}$ , and  $\overline{\text{CS2}}/\overline{\text{BGACK}}$  pins function as chip-select lines or as bus control signals. After reset, software can make other selections for these pins by writing to a pin assignment register.

A simple method of pulling a data bus pin high is to connect a 10 K $\Omega$  resistor between it and the five volt supply. Although putting a resistor on a data bus pin degrades performance at higher frequencies, many designers use resistive pull-ups without significant side effects. The preferred method of driving data bus pins during reset is by means of an active driver. A circuit to perform this function is shown in **Figure 1**. This circuit uses a 3-state buffer, such as a 74HC244 non-inverting octal driver, and meets the five ns hold time requirement. While this method does require external circuitry, it is recommended when high levels of noise may be encountered or when high reliability of operation is an overriding concern.

# Freescale Semiconductor, Inc.

Tie 74HC244 inputs high or low, respectively, so that the desired logical values will be driven to the individual data bus pins when the output enable ( $\overline{OE}$ ) pin is driven low. The  $\overline{OE}$  will be driven low when the following three conditions are met:  $\overline{RESET}$  is low, data strobe ( $\overline{DS}$ ) is high, and read/write ( $R/\overline{W}$ ) is high. Conditioning  $\overline{RESET}$  with  $R/\overline{W}$  and  $\overline{DS}$  ensures that writes to external memory will be completed before the 74HC244s are enabled. Otherwise, if an external  $\overline{RESET}$  signal was applied during a write to external memory and was not conditioned with  $R/\overline{W}$  and  $\overline{DS}$ , the 74HC244s would turn on during the write and cause data bus contention.

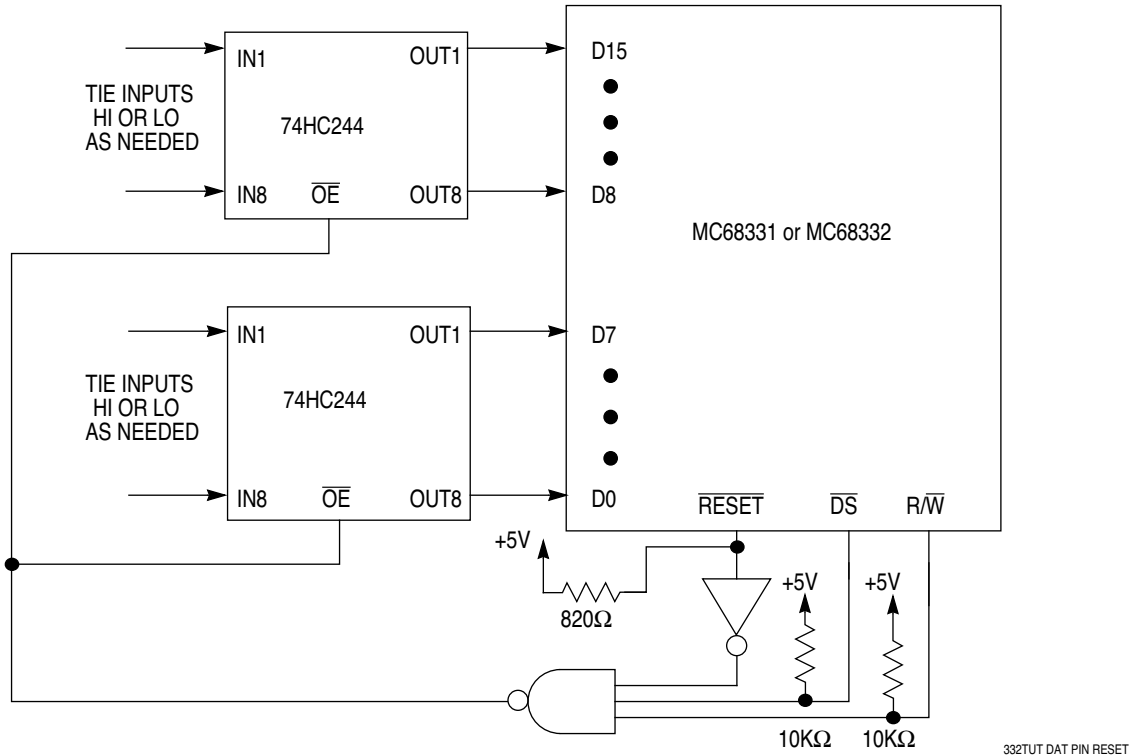


Figure 1 Circuitry to Drive Data Bus Pins During  $\overline{RESET}$  Assertion

There are several alternative methods of driving data bus pins low during reset. The easiest methods are to connect a resistor in series with a diode from the data bus pin to the  $\overline{RESET}$  line or to connect a transistor, as shown in **Figure 2**. When using a bipolar transistor, a base current limiting resistor is required. When using field effect transistor, a base limiting resistor is not needed. However, the best method is to use the configuration shown in **Figure 1**.

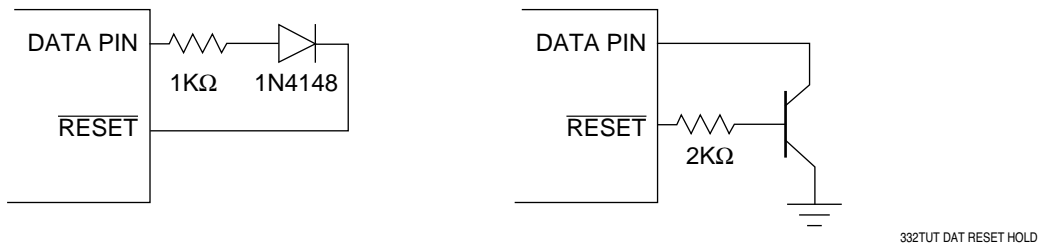


Figure 2 Alternate Methods of Conditioning Data Bus Pins

## 2.2 Choosing Memory Width

One decision that must be made early in the design is the width of memory to be used. Systems with 8-bit wide memory, 16-bit wide memory or a combination of the two can be implemented using only the onboard chip-select lines.

Using 8-bit memory simplifies the design and reduces cost, but with a significant performance penalty. This penalty is not fixed, but depends on the amount of time that the processor spends accessing the 8-bit memory as opposed to accessing other external memory or performing internal accesses or operations. Moving from 16-bit to 8-bit program memory may reduce CPU performance by 40% when executing simple CPU instructions that only take a few clock cycles to execute. The impact is less in systems that make intensive use of CPU registers and complex instructions.

As a general guide:

- Use fast/word memory for the CPU stack, especially when programming in high level languages.
- Use fast/word memory for frequently accessed variables.
- Use fast/word memory for time critical routines, perhaps by copying them from slow main ROM into fast external or internal RAM.
- Use slow/byte memory for rarely executed, non-critical routines, such as initialization routines.

## 2.3 Pins that Need Pull-Up Resistors

Many of the input pins need pull-up resistors to prevent unexpected conditions. The pins discussed below must be conditioned in all applications. An incorrect voltage on one or more of them can cause general system failure. Other input pins, such as GPT or TPU inputs, can be left floating without adverse effect in certain applications. The designer must determine which pins can cause system failure in a particular application and deal with them appropriately. In general, it is best to condition all input pins so that they are in a known state, whether they are used or not.

Never connect a pin directly to five volts if it is possible to configure the pin as an output. Attempting to drive an output low when it is connected to voltage source can damage the output drivers. Many of the pins have dual functions and can be configured as I/O pins by holding specific data bus lines low during reset. When a pin is configured for I/O during reset and will never be reconfigured for the alternate function, a pull-up resistor may not be needed. **Table 1** shows which signals are affected by data bus pin state during reset.

**BR/CS0** — Use a 10 K $\Omega$  pull-up to prevent an unexpected bus request. This pin is configured as a chip-select pin when DATA1 is held high at the release of reset. Conditioning DATA1 as described in **2.1 Using Data Bus Pins to Configure the MCU** precludes use of a pull-up.

**BERR** — This is an input signal that is asserted in the absence of  $\overline{\text{DSACK}}$  to indicate a bus error condition. Using a 10 K $\Omega$  pull-up resistor prevents the unexpected assertion of bus error.

**HALT** — This is an active-low bidirectional signal that can be used to halt the external bus, among other things. Using a 10 K $\Omega$  pull-up resistor will prevent an erroneous bus halt. Since  $\overline{\text{HALT}}$  is a bidirectional signal, do not connect it directly to  $\overline{\text{BERR}}$ ,  $\overline{\text{RESET}}$  or five volts.

**IRQ[7:1]** — Although the interrupt lines have internal pull-up circuitry, the circuitry is weak and can be overcome by noise and capacitive coupling. Make certain that pins configured for use as interrupt-request inputs rather than for use as general-purpose I/O are pulled up to five volts.

There are two ways to lessen the chances for erroneous interrupt service requests:

1. Hold DATA9 low during reset as described in **2.1 Using Data Bus Pins to Configure the MCU** to assign these pins to general-purpose I/O port F. Pull up lines that are to be used for interrupt service to five volts via 10 K $\Omega$  resistors, hold DATA9 low during reset, reassign the pins to be used for interrupt requests by writing to the port F pin assignment register, then change the IPL mask value to enable maskable interrupts.

2. Hold DATA9 high during reset as described in 2.1 **Using Data Bus Pins to Configure the MCU** to assign all these pins to use as interrupt-request inputs. Pull up all lines that are to be used for interrupt service, including  $\overline{\text{IRQ7}}$ , to five volts via 10 K $\Omega$  resistors, hold DATA9 high during reset, reassign the pins that are not used for interrupt requests by writing to the port F pin assignment register, then change the IPL mask value to enable maskable interrupts.

Remember that the level seven interrupt is non-maskable — when configured as an interrupt line,  $\overline{\text{IRQ7}}$  is always enabled. The only way to disable external  $\overline{\text{IRQ7}}$  interrupts is to assign the  $\overline{\text{IRQ7}}$  pin to I/O function via the port F pin assignment register.

**DSACK[1:0]** — During bus transfers, external devices can drive these signals to indicate port width. These signals are active even if the bus transfer is to or from a peripheral that is using one of the chip-selects to terminate the bus cycle. Putting 10 K $\Omega$  pull-ups on these two pins prevents accidental assertion of DSACK[1:0], which can occur if the pins are left floating.

**AVEC** — If this signal is asserted during an interrupt acknowledge cycle, an autovector will be used for the external interrupt being serviced. If the AVEC pin is connected permanently to ground, all external interrupts will autovector. Using a 10 K $\Omega$  pull-up resistor will prevent unexpected assertion of the AVEC pin.

**TSTME/TSC** — The inactive state of this pin is five volts. Pulling it low enables special test mode, but the MCU cannot enter test mode unless the state of a bit in one of the test mode registers is changed by the software. Although this should happen only if the software is corrupted, to prevent entering special test mode, put a 10 K $\Omega$  pull-up resistor on this pin. Special test mode is generally used only for factory testing, although there are certain circumstances, such as debugging TPU microcode, in which a limited subset of test mode capabilities are available to users. Driving this pin to approximately 1.6 times  $V_{DD}$  causes the MCU to place all output drivers in a high-impedance state, isolating the MCU from the rest of the system.

**BKPT/DSCLK** — Background debug mode (BDM) operation is enabled when  $\overline{\text{BKPT}}$  is asserted at the rising edge of the  $\overline{\text{RESET}}$  signal. BDM remains enabled until the next system reset. If  $\overline{\text{BKPT}}$  is at a logic level one on the trailing edge of  $\overline{\text{RESET}}$ , BDM is disabled.  $\overline{\text{BKPT}}$  is re-latched on each rising transition of  $\overline{\text{RESET}}$ . A 4.7 K $\Omega$  pull-up resistor will ensure that BDM is not unexpectedly enabled upon reset.

**R/W** — Putting a 10 K $\Omega$  pull-up resistor on this pin will prevent accidental writes to memory while the device is being powered up. Normally, R/W is always defined. However, when power is first applied to the device, R/W can be undefined for a few cycles. This may cause a problem for EEPROM or battery backed up RAM.

**RESET** — An 820  $\Omega$  pull-up resistor is required for this pin. Do not put capacitors on the  $\overline{\text{RESET}}$  pin. The reason for such a strong pull-up and no extra capacitance is that the  $\overline{\text{RESET}}$  line must rise to a logic one within approximately ten system clocks after the MCU has driven  $\overline{\text{RESET}}$  low for 512 clocks, or else the MCU must re-assert the  $\overline{\text{RESET}}$  line for an additional 512 clock cycles.

**MODCLK** — If using the internal PLL to generate the system clock, this pin must be pulled up with a 10 K $\Omega$  resistor or driven high during reset. If using an external clock source and bypassing the PLL, connect this pin to ground or drive it low during reset.

## 2.4 Using Sockets

Because of the high pin count the MCU package has a very narrow lead pitch, which makes it nearly impossible to hand-solder onto a board. This is not a problem for design activities that can manufacture PC boards, but designers who are assembling a limited number of prototypes or who cannot manufacture PC boards will probably need to use a socket to hold the chip. The wider spacing of socket pins makes it possible to connect the socket to a board.

Sockets are not a place to economize. Use a good quality socket that firmly holds the MCU in place so that all pins maintain contact. If the MCU is likely to be removed and replaced, consider using a zero insertion force socket.

Three socket manufacturers are:

**3M** — (800) 328-0411, **AMP** — (800) 522-6752, and **Yamaichi** — (408) 452-0797.

## 2.5 Clock Circuitry

The designer must decide whether to use the internal frequency synthesizer circuit or an external clock to produce the system clock signal. Both options are discussed in the following paragraphs.

### 2.5.1 Using the Internal Frequency Synthesizer Circuit

The MCU uses a voltage-controlled oscillator (VCO) and a phase-locked loop (PLL) to generate an internal high speed clock. This arrangement permits low power operation using only the low frequency oscillator. Low frequency in CMOS technology translates into low power because power consumption is proportional to frequency.

The internal frequency synthesizer circuit is enabled when the MODLCK pin is pulled high during reset. The synthesizer requires a reference frequency in order to operate. There are two reference frequency options: a crystal oscillator circuit or an external clock reference, such as a canned oscillator circuit (a single package which contains the crystal and buffer circuit) as the input.

### 2.5.2 Using a Crystal Oscillator Circuit

#### 2.5.2.1 Oscillator Components

The crystal oscillator used is a Pierce oscillator, also known as a parallel resonant crystal oscillator. It is shown in **Figure 3**. Its components consist of a series resistor, a feedback resistor, a crystal, an inverter, and two capacitors:

**Rs** — Series resistor  $R_s$  must be large enough to appropriately limit current to the crystal and yet small enough to provide enough current to start oscillation quickly. The smaller  $R_s$ , the faster the oscillator will start. However, if  $R_s$  is too small, the crystal will start up in unpredictable modes or dissipate too much power. This can cause heating problems. In extreme cases, the crystal may even be damaged and not work properly again. If  $R_s$  is too large, the oscillator will start very slowly or not at all. The best way to minimize start-up time is to minimize the size of  $R_s$  within the guidelines of the maximum power dissipation.

The crystal manufacturer generally recommends a range of values to use. To ensure that  $R_s$  is large enough to prevent the crystal from being overdriven, observe the output frequency as a function of  $V_{DD}$  on the CLKOUT pin. If the crystal is overdriven at start-up, i.e., the first 500 ms or so after the power is turned on, the frequency will be very unstable.

**Rf** — Feedback resistor  $R_f$  is used to bias the inverter between EXTAL and XTAL inside the MCU.  $R_f$  affects the loop gain; lower values reduce gain, while higher values increase gain.

**C1 and C2** — The series combination of C1 and C2 provides the parallel load for the crystal. Their values may be varied to trim frequency. In high frequency applications, C1 and C2 are usually equal. However, in low frequency applications, C1 can be smaller than C2 (about 5 pF) to provide a higher voltage at the EXTAL input. A wider voltage swing at this input will result in lower power-supply current. Usually, the actual capacitances will be smaller than the intended capacitances since circuit and layout capacitances add to the values of C1 and C2.

**Inverter** — The inverter is inside the MCU. It provides the 180 degree phase shift necessary for oscillation.

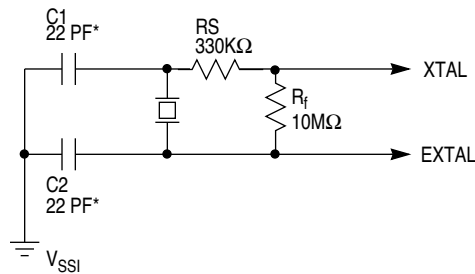
**Crystal** — The crystal is made of piezoelectric quartz. It must be a good quality crystal that is capable of suppressing harmonics and overtones and quickly locking onto the fundamental frequency. If a particular crystal type or brand is prone to starting with overtones or harmonics, don't use it. No amount of circuit design can compensate for a bad or poor quality crystal.

# Freescale Semiconductor, Inc.

The MCU is designed to use a 32.768 kHz AT-cut crystal to produce an 8.389 MHz CLKOUT signal. The frequency of the internal clock can be increased or decreased by writing to the SYNCR register. **Figure 3** shows clock circuitry for a Daishinku DMX-38 32.768 kHz crystal, but the circuit will work for most other 32.768 kHz crystals also. To use other crystal values (the allowable range is 20 kHz–50 kHz), consult the crystal vendor for analysis of the crystal components needed.

## NOTE

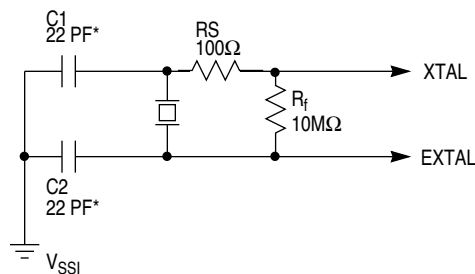
Some older versions of the MC68331 and MC68332 require different components. The MC68331 mask set that requires different components is OC47T. The MC68332 mask sets that require different components are 1C17P, 1C32J, OC53T, and 1C53T. See **Figure 4** for an illustration.



\* RESISTANCE AND CAPACITANCE BASED ON A TEST CIRCUIT CONSTRUCTED WITH A DAISHINKU DMX-38 32.768-KHZ CRYSTAL. SPECIFIC COMPONENTS MUST BE BASED ON CRYSTAL TYPE. CONTACT CRYSTAL VENDOR FOR EXACT CIRCUIT.

332TUT XTAL CONN 1

**Figure 3 System Clock with a 32.768 kHz Reference Crystal**



\* RESISTANCE AND CAPACITANCE BASED ON A TEST CIRCUIT CONSTRUCTED WITH A DAISHINKU DMX-38 32.768-KHZ CRYSTAL. SPECIFIC COMPONENTS MUST BE BASED ON CRYSTAL TYPE. CONTACT CRYSTAL VENDOR FOR EXACT CIRCUIT.

332TUT XTAL CONN 2

**Figure 4 Oscillator Circuit for Some Older Mask Sets**

For the most accurate oscillator frequency, use the Pierce version of the crystal (rather than the series resonant version) with C1 and C2 values to match the specified load capacitance of the crystal. As a side note, start-up time is inversely proportional to frequency. A 32 kHz crystal may take several hundred milliseconds to start up. Be aware: all crystals are not created equal nor are they close. In fact, there are several different types of tuning elements that can be used for low frequency oscillators in the range of 32.768 kHz. While there are many characteristics of the various tuning elements that can be precisely measured, there are other characteristics that are extremely difficult to measure and express in a useful way.

Maximum power dissipation of a crystal is generally specified by the manufacturer of the device. Crystal power dissipation is a function of the reactance of the combined input and output capacitance of the internal amplifier of the microcontroller and of the external circuit components including the crystal itself. The manufacturer specifies this value and also specifies a circuit, usually one like that of **Figure 3**, along with the



## Freescale Semiconductor, Inc.

circuit values. The crystal manufacturer makes a tacit assumption that the amplifier has enough drive capability to handle the required load, so that the output voltage levels of the amplifier are not affected.

Parameters related to suppression of harmonics and overtones are generally not specified by the crystal manufacturer. Harmonics are integer multiples of the fundamental frequency. The first overtone is approximately 1.7 times the fundamental frequency. Since a typical oscillator circuit forms a low pass filter, the three db roll-off point should be set at about 1.5 times the fundamental frequency of the crystal. This should cause no attenuation at the fundamental but should cause significant attenuation at the first overtone and even greater attenuation at the first harmonic. When figuring the reactance of the entire circuit, it is most important to use the typical parameters of the crystal, the input and output capacitance of the amplifier and the remainder of the external components in the calculation.

Many companies make crystals. Most re-sell their products through electronics distributors that are listed in the *EITD Electronic Industry Telephone Directory*. Refer to **6 SOURCES OF INFORMATION** for ordering information.

Four crystal manufacturers are:

**ECS** — (800) 237-1041

The part number for a surface mount 32.768 kHz crystal with a temperature range of  $-40$  to  $+85$  degrees Celsius is ECX205. This crystal also comes in other packages.

**Fox** — (813) 693-0099

The part number for a surface mount 32.768 kHz crystal with a temperature range of  $-40$  to  $+85$  degrees Celsius is FSM327. This crystal also comes in other packages.

**KDS (Daishinku)** — (913) 491-6825

The part number for a surface mount 32.768 kHz crystal with a temperature range of  $-40$  to  $+85$  degrees Celsius is DMX-38. This crystal comes in other packages.

**Statek** — (714) 639-7810

The part number for a surface mount 32.768 kHz crystal that can be used at 25 degrees Celsius is CX-1VS-SMI 32.768 kHz. For a temperature range of  $-40$  to 85 degrees Celsius, the part number is CX-1VS-SMI 32.768 kHz A/I.

### 2.5.2.2 Grit and Grime

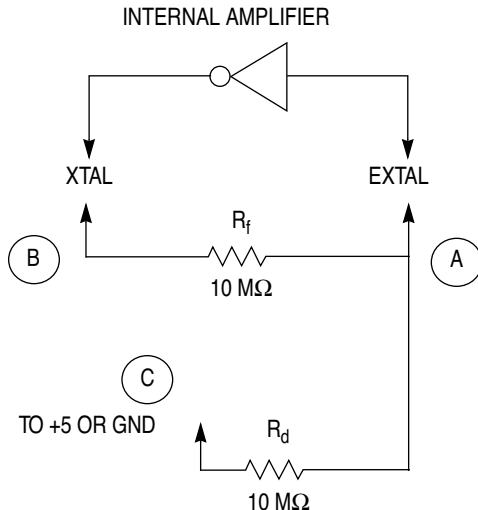
Oscillators are quite sensitive to dirt, solder flux, grease, condensation due to high humidity, and other conducting materials on the circuit board. These materials can allow a very high resistance leakage path from one of the amplifier pins to either ground or the positive terminal of the power supply. When the oscillator has power applied but has not started, the crystal and bypass capacitors appear as DC open circuits. An oscillator in a DC condition would appear as shown in **Figure 5**.

The resistor,  $R_d$ , represents a high resistance leakage path, somewhere in the range of five to 20  $M\Omega$ . The feedback resistor,  $R_f$ , is also in this range. Assuming that  $R_d$  and  $R_f$  are both 10  $M\Omega$ , the voltage at point A is half the voltage difference between points B and C. Thus, if the XTAL pin is at a logic one (4.5 volts) and point C is at ground, the voltage at point A (EXTAL pin) will be 2.25 volts. If point B is at a logic zero (0.5 volts) and point C is at ground, the voltage at point A is 0.25 volts. Thus, the voltage at point A may be interpreted as a logic zero regardless of whether the XTAL pin is a logic one or a logic zero. This depends on the threshold of the inverter whose input is connected to point A. Likewise, if point C is connected to five volts, point A may be interpreted as a logic one regardless of the state of the XTAL pin. A circuit with this problem will not oscillate.

The only way to diagnose this problem is to remove the external circuit components as well as the MCU from the board and use an Ohm meter to check the resistance from points A and B to ground and five volts. Anything other than a completely open circuit is a sign of trouble. The obvious solution is to clean the printed

## Freescale Semiconductor, Inc.

circuit board. If the dirt or grime that form the high resistance path is on an inner layer of the printed circuit board, the board is unusable. If the leakage is due to condensation on the board, then spray the oscillator circuit with a protective epoxy.

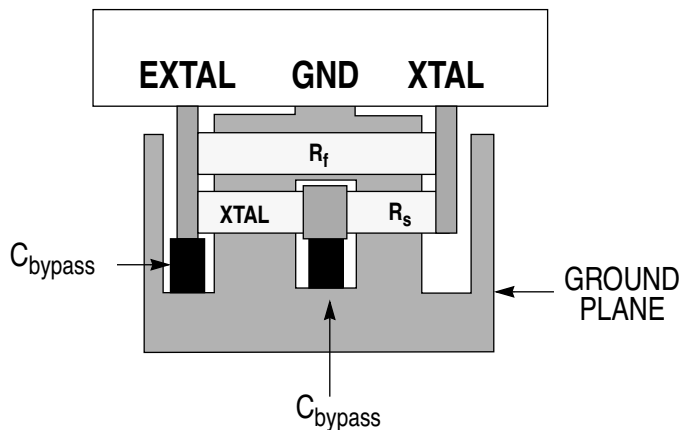


332TUT XTAL RF/RD CONN

Figure 5 DC Model of Oscillator Circuit

### 2.5.2.3 Layout and Strange Behavior

Oscillator layout is just as important as a good quality crystal and cleanliness in manufacturing the printed circuit board. The best possible solution is to use a multi-layer board with a separate ground plane. The rules for oscillator layout are quite simple. First, locate the crystal and all associated external components as close to the oscillator pins as possible. Second, do not under any circumstance run a high frequency trace under either the feedback or series resistor or the crystal. Third, if there is no separate ground plane, make sure that the ground for the bypass capacitors is connected to a solid ground trace. **Figure 6** shows typical one-layer oscillator layout.



332TUT XTAL PCB LAYOUT

Figure 6 Typical One-Layer Oscillator Layout

# Freescale Semiconductor, Inc.

Do not run high frequency conductors near, and particularly underneath, the crystal, the feedback resistor or the series resistor. In **Figure 6**, only a ground trace runs underneath these components. Also note that, in **Figure 6**, the ground trace is tied to the ground pin nearest to the oscillator pins. This helps prevent large loop currents in the vicinity of the crystal. It is also very important to tie the ground pin to the most solid ground in the system. The trace that connects the oscillator and the ground plane should not connect to any other circuit element as the injection of current into this trace tends to make the oscillator unstable.

## 2.5.2.4 XFC and $V_{DDSYN}$

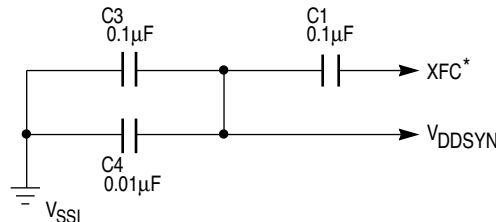
Noise on the XFC,  $V_{DDSYN}$ , and  $V_{SSI}$  pins causes frequency shifts in CLKOUT. The XFC filter capacitor and the  $V_{DDSYN}$  bypass capacitors should be kept as close to the XFC and  $V_{DDSYN}$  pins as possible with no digital logic coupling to either XFC or  $V_{DDSYN}$ . The ground for the  $V_{DDSYN}$  bypass capacitors should be tied directly to the  $V_{SSI}$  ground plane. If possible, route  $V_{DDSYN}$  and  $V_{SSI}$  as separate supply runs or planes.  $V_{DDSYN}$  may require an inductive or resistive filter to control supply noise.

A  $V_{DDSYN}$  resistive filter would consist of a 100 to 500  $\Omega$  resistor from  $V_{DD}$  to  $V_{DDSYN}$  and a 0.1- $\mu$ F bypass capacitor from  $V_{DDSYN}$  to  $V_{SSI}$ . The proper values for the resistor and capacitor can be determined by examining the frequency of the  $V_{DDSYN}$  noise. The RC time constant needs to be large enough to filter the supply noise. An inductive filter would replace the resistor with an inductor.

The low-pass filter requires an external low-leakage capacitor, typically 0.1  $\mu$ F with an insulation resistance specification as high as practical. The main criterion is that the capacitor be low-leakage because leakage affects frequency stability and accuracy. Do not use a tantalum capacitor. Although the *SIM Reference Manual* (SIMRM/AD) recommends an insulation resistance of 30,000 M $\Omega$ , this value may not be necessary in all applications. For most consumer (room temperature) applications, polystyrene capacitors are recommended. See **Figure 7** for a recommended circuit.

### NOTE

Some published errata sheets and user's manuals recommend a filter circuit that includes an 18 k $\Omega$  resistor for a high stability operating environment. Subsequent investigation has shown that, when this circuit is used, if there is leakage (about 50 k $\Omega$ ) between the XFC pin and the power supply, the MCU may not come out of reset because the internal VCO lock detect circuitry does not operate properly. Use the circuit shown in **Figure 7** instead.



\* MAINTAIN LOW LEAKAGE ON THE XFC NODE.

332TUT XFC CONN

**Figure 7 Conditioning the XFC and  $V_{DDSYN}$  Pins**

## 2.5.2.5 Evaluating Oscillator Performance

Once an entire oscillator circuit is built, it is very important to evaluate circuit characteristics. Of particular interest is how the oscillator starts. If the oscillator starts in a metastable state that persists for several hundred milliseconds, it is quite possible that this state will persist until the MCU releases reset and tries to start fetching instructions. When this happens, the PLL may well be operating at a frequency far greater than the

# Freescale Semiconductor, Inc.

maximum specified for the MCU. Any variation in the input frequency of the PLL is multiplied by the feedback ratio of the PLL. If the MCU starts operating, i.e., reset is released and the internal clocks are gated to the internal buses, while the oscillator is operating at an overtone or first harmonic, the MCU will probably enter an inoperative state in which it cannot be restarted by a hardware reset. In this case, the only option is to turn the system power off and then attempt a power-on reset.

Because oscillators are very sensitive circuits, malfunctions are difficult to diagnose by conventional means such as probing the input and output with an oscilloscope. The capacitance of a scope probe can be large compared to the effective capacitance of the particular node of the oscillator that is probed. This added capacitance can cause an errant oscillator to move to a more stable region where it appears to work correctly or, on the other hand, a working oscillator could be moved into a region of no oscillation at all. Therefore, it is important to measure oscillator performance indirectly. This can be done through the CLKOUT pin, which is a buffered form of the internal system clock. Monitoring the CLKOUT pin with an oscilloscope does not affect the oscillator and provides an accurate representation of oscillator problems. If the MCU is running off the internal PLL and a 32.768 kHz crystal, the CLKOUT frequency should be 8.389 MHz at the release of reset.

The CLKOUT signal is likely to do one of three things when power is turned on. It will either remain at a constant DC level, jump quickly to the proper frequency, or, first jump to the desired frequency, then enter a very high frequency metastable state and then jump back to the fundamental frequency. With a small amount of practice, these metastable states, which last for approximately 100 to 500 ms, can be easily detected on an oscilloscope. In the third case, the MCU generally takes almost a second to reach steady state, which provides plenty of time for it to attempt operation while the clock is in a metastable state.

## 2.5.2.6 Using a Canned Oscillator

A second option when using the internal frequency synthesizer circuit is to hold MODCLK high during reset and connect an external clock reference or canned oscillator (a single package that includes the oscillator and required external components) to the EXTAL pin. Leave the XTAL pin floating, but connect the filter circuit shown in **Figure 7** to  $V_{DDSYN}$  and XFC. The allowable frequency range is 20-50 kHz.

One manufacturer of canned oscillators is:

**Oak Frequency Control Group** — (717) 486-3411

## 2.5.3 Using an External Clock

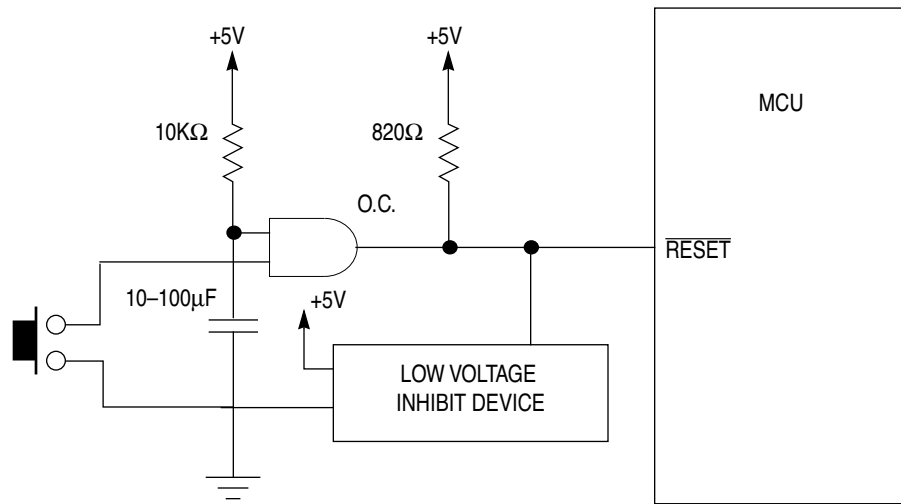
To use an external clock, connect a clock signal to the EXTAL pin and hold MODCLK low during reset. Leave the XTAL and XFC pins floating, but connect  $V_{DDSYN}$  to power. The frequency control bits in the SYNCR register have no effect; the signal applied to the EXTAL pin should appear unchanged on the CLKOUT line. The external clock must comply with the following expression.

$$\text{Minimum external clock period} = \frac{\text{Minimum external clock high/low time}}{50\% - \text{percentage variation of external clock input duty cycle}}$$

Minimum external clock high/low time is a specification given in the device electrical characteristics.

## 2.6 Getting Out of Reset

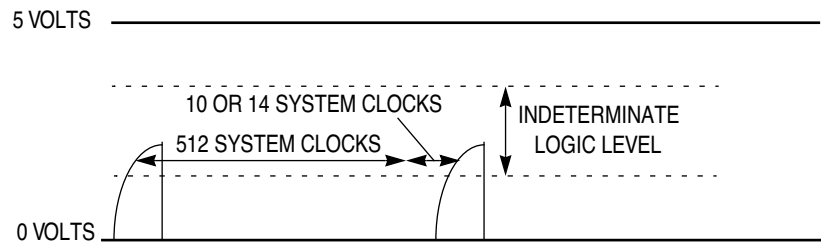
Asserting and releasing the  $\overline{\text{RESET}}$  line was once a relatively simple task. However, as microcontrollers have become more complex, bidirectional reset pins have become standard. Bidirectional reset lines allow an external device to reset the MCU and also allow the MCU to assert reset for associated peripherals. Bidirectional pins must be driven with open collector devices. A typical circuit for driving the MCU  $\overline{\text{RESET}}$  pin is shown in **Figure 8**. The  $\overline{\text{RESET}}$  pin is driven by an open collector device, and it is pulled to a logic one by an 820  $\Omega$  resistor.



332TUT LV/RESET CONN

Figure 8 Typical Reset Circuit

When the internal PLL is used to generate the internal system clock, the  $\overline{\text{RESET}}$  pin works as follows. At power-up, the MCU drives  $\overline{\text{RESET}}$  low. When the PLL locks, the MCU releases  $\overline{\text{RESET}}$  for two system clock cycles. If the external pull-up resistor can pull  $\overline{\text{RESET}}$  to a logic one during the two cycles, the MCU assumes that the reset is a power-on reset rather than an external reset. However, if  $\overline{\text{RESET}}$  does not rise to a logic one during the two cycles, the MCU assumes that the reset is an external reset and drives  $\overline{\text{RESET}}$  to a logic zero for 512 clock cycles. After 512 cycles have elapsed, the MCU releases  $\overline{\text{RESET}}$  for ten clock cycles. If  $\overline{\text{RESET}}$  is a logic one at the end of the ten cycles, the MCU begins program execution. If  $\overline{\text{RESET}}$  is a logic zero at the end of the ten cycles, the MCU once again actively drives  $\overline{\text{RESET}}$  low for 512 clock cycles. This cycle repeats until  $\overline{\text{RESET}}$  is finally perceived to be at a logic one. **Figure 9** shows the waveform that is produced on the  $\overline{\text{RESET}}$  line when the pull-up resistor is too large and pull-up current is inadequate.



332TUT RESET LEVEL TIM

Figure 9  $\overline{\text{RESET}}$  Waveform Caused by Weak Pull-Up

If the PLL circuit is not used, and an external clock at the desired frequency of the system clock is applied to EXTAL prior to start-up, the start up sequence is the same except that the MCU recognizes the clock immediately instead of waiting for the PLL to lock.

## 2.7 Power Supply

Always connect all power and ground pins to power sources. Internal power buses only serve about eight to ten pins each. The power and ground pins are usually not connected together within the device. If any power pin is left floating, the pins served by the floating power pin can receive power from internal circuitry such as internal protection diodes. However, the current path will usually have several diode drops resulting in a low output high voltage (about three volts) on associated output pins.

### 2.7.1 Low Voltage Inhibit Devices

A low voltage inhibit (LVI) device (also referred to as a reset supervisor circuit) protects the MCU by keeping it in reset until full voltage is applied and by forcing an external reset as soon as power starts to fall. This prevents the MCU from going into an indeterminate state due to a power supply failure or slow power supply ramp-up time.

A number of manufacturers make LVI devices that can be used with the MCU. Some are listed below.

#### **Analog Devices** — (617) 461-3392

LVI part numbers are ADM698 and ADM699. These devices require pull-up resistors.

#### **Dallas Semiconductor** — (214) 450-0448

Various reset supervisor circuits. Part numbers DS1233A, D, and M do not require pull-up resistors.

#### **Linear Technologies** — (408) 432-1900

LVI part numbers are LTC692 and LTC693. These devices require a pull-up resistor.

#### **Maxim** — (800) 998-8800 or (408) 737-7600

Various reset supervisor circuits. MAX 690 and MAX 700 series devices require pull-up resistors, but MAX 809 devices do not.

#### **Freescale, Inc.** — (408) 432-1900

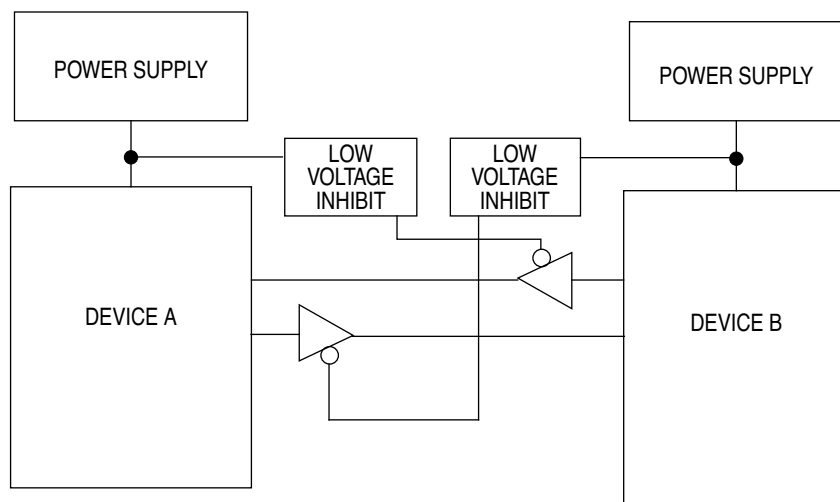
One reset supervisor circuit part number is MC34064. It requires an external pull-up resistor.

#### 2.7.1.1 Using LVI Devices with External Oscillators

An LVI device provides an extra degree of protection when an external oscillator that has an independent power supply is used to generate the system clock. In this case, the LVI device ensures that the oscillator does not power up before the MCU.

#### 2.7.1.2 Using LVI Devices with Multiple Power Supplies

Take special precautions when system components that are connected to each other have separate power supplies. Generally, one power supply will reach operating voltage more quickly than another. A device connected to this fast supply can begin to operate before devices connected to a slower supply have reached operating voltage. If a device connected to a fast supply drives logic one levels to a device connected to a slow supply, the input protection diodes of the slow-starting device can be momentarily forward biased, and significant current can be injected into the device substrate. In the case of an MCU, the injected current can cause internal nodes to be improperly charged or discharged. Since this action is random, it is impossible to predict what will happen when injection occurs. Usually, the processor will fail to fetch opcodes. **Figure 10** shows how to use LVI devices to prevent this problem. Each power supply is monitored by a separate LVI device. Signals from other boards are inhibited until correct operating voltage is applied.



332TUT DUAL RESET CONN

Figure 10 Using LVI Devices with Multiple Power Supplies

## 2.8 Designing for Electromagnetic Compatibility

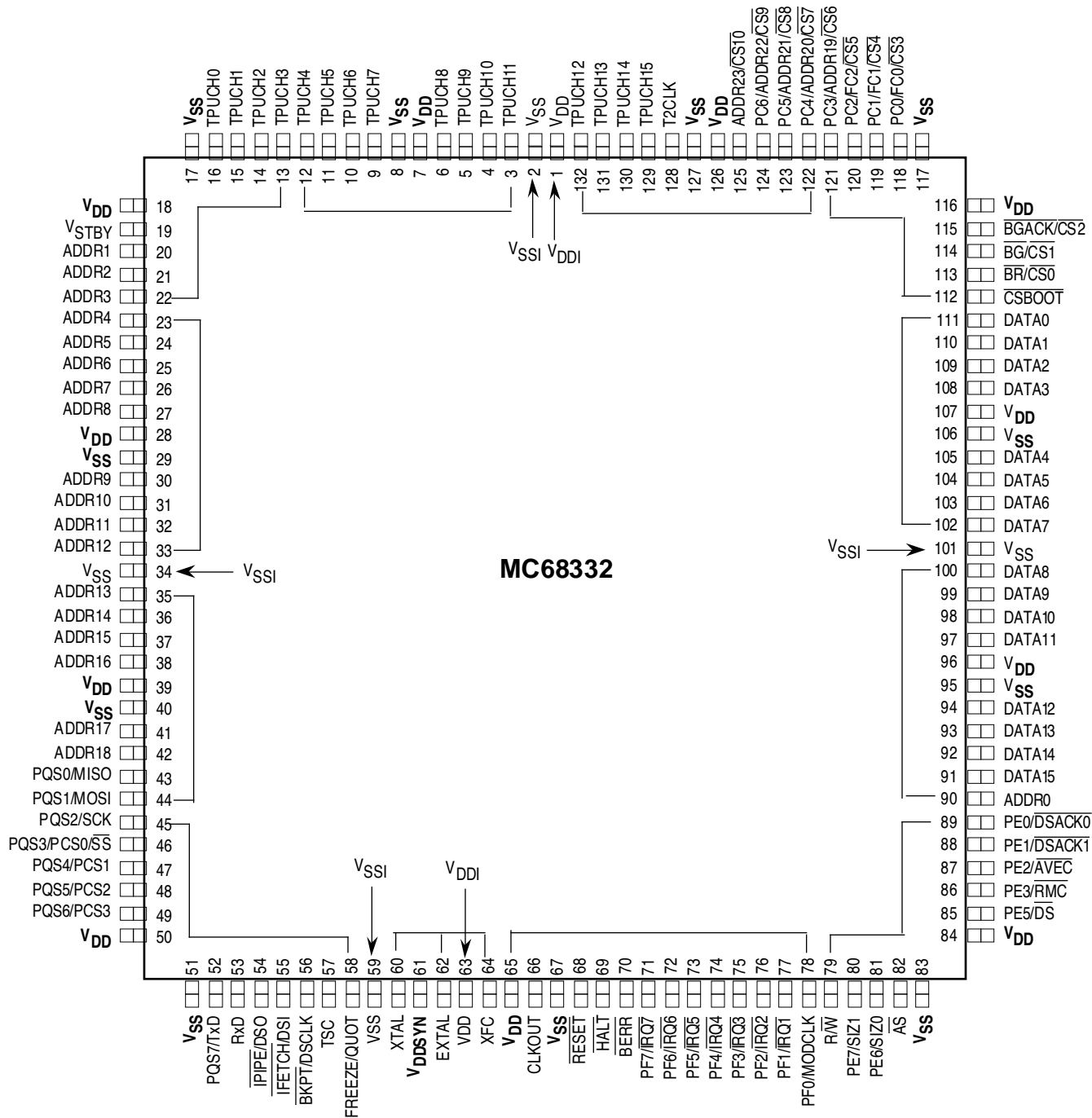
Because of the fast clock speed and relatively short rise and fall times of MCU signals, the designer must consider electromagnetic compatibility (EMC) issues. All high-speed digital devices radiate noise, and if FCC compliance is required, the designer must do everything possible to limit emissions from the MCU. Use of a four-layer board is probably the best single option the designer has. Although a two-layer board will work, a multilayer PCB is much more effective at both protecting the MCU from emissions, and reducing emissions from the MCU. EMC compatibility is a complex topic, and this tutorial can present only a brief overview of EMC design techniques.

### 2.8.1 Reducing Power Supply Noise

The MCU is very susceptible to noise created by large or rapid fluctuations in current through a particular power supply pin. The power supply pins are divided up into  $V_{DDE}/V_{SSE}$  and  $V_{DDI}/V_{SSI}$ . The  $V_{DDE}/V_{SSE}$  pins power the external drivers and pins, while the  $V_{DDI}/V_{SSI}$  pins power the internal peripherals and core of the MCU. It is very important to keep the  $V_{DDI}/V_{SSI}$  pins free of noise, as the CPU is generally more sensitive to power supply noise than the port drivers. When designing a multilayer board, simply route the power and ground pins directly to the power and ground planes; when designing a two-layer board, however, it is best to isolate the power bus that serves the core of the chip from the power bus that serves the port drivers.

Figure 11 shows groups of pins on the MC68331/MC68332 that are powered by the same supply pins. Although only the 132-pin plastic surface mount package for the MC68332 is shown, the groups for the 144-pin package are the same. Also, the pinout for the MC68331 is the same as for the MC68332, except that the GPT pins take the place of the TPU pins. In each group, the  $V_{DDE}$  and  $V_{SSE}$  pins that power a particular group are shown in bold face type. The  $V_{DDI}$  and  $V_{SSI}$  pins are labeled as such. EXTAL, XTAL, and XFC are powered only by  $V_{DDSYN}$ .

When control of noise on the power buses is important, it is possible to isolate sections of the chip that are particularly noisy. The data and address buses are particularly noisy because they continually change state, and the same can be true of serial ports and timer pins. The amount of noise generated by a particular pin is dependent upon the load being driven and the switching frequency. A designer who knows which power and ground connections serve particular pins can shield other signal conductors from these noisy lines.



33332TUT MCU PINOUT

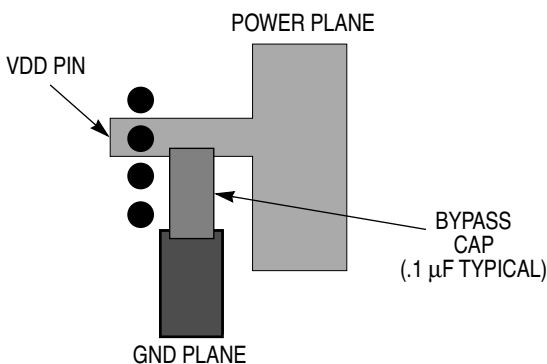
Figure 11 Pinout of MC68332 132-Pin Package

To control power supply/ground noise, use dedicated ground and supply planes. When designing a two-layer board, make the power and ground traces on the PCB as large as practical and connect a bypass capacitor to each power supply pin. The  $V_{DDI}/V_{SSI}$  and  $V_{DDE}/V_{SSE}$  supply pins should all have dedicated filter capacitors, and, ideally, all supply pins should be connected to the supply at a single location. A recommended layout technique is shown in **Figure 12**. Essentially, the bypass capacitor should be positioned so that it serves the power pin itself rather than the surrounding metal trace. This is accomplished by running a specific conductor to the power pin and then locating the bypass capacitor as close to the power pin as possible.



## Freescale Semiconductor, Inc.

Another way to control power supply noise created by the MCU is to put a small inductor in series with the power supply lines for the port drivers. This method can help control noise on the power traces of the PCB. However, it should be used only as a last resort, because it can introduce other noise problems. Also, a series inductor in the power supply line will probably have little effect on radiated noise, which is generally a result of the port driver switching speed. Limiting instantaneous current change by putting an inductor in series with the power supply pin for the port will not appreciably affect the current through a particular driver because the integrated circuit generally has enough internal capacitance to support an instantaneous current surge while the driver switches.



332TUT VDD LAYOUT

**Figure 12 Proper Placement of a Bypass Capacitor**

The  $V_{DDSYN}$  and  $V_{STBY}$  supply pins should be separated and isolated from  $V_{DD}$  with a low pass filter. Any supply noise present on  $V_{DDSYN}$  will translate into shifts in the system clock generated from the PLL. Always supply power to  $V_{DDSYN}$ , even when using an external oscillator and bypassing the internal PLL.

### 2.8.2 A Few Suggestions for Reducing Emissions

In general, follow standard design practices for EMC. A list of techniques that are often used in board design follows. These techniques are guidelines for good design, not strict rules, and are not specific to designs that incorporate the MC68331 or MC68332.

- Minimize the number of devices on the board. Capacitive coupling tends to occur around the holes that connect a particular layer of the board to the power and ground planes.
- Use a canned oscillator instead of a crystal, to reduce emissions from the oscillator. If a crystal circuit must be used, locate it as centrally as possible.
- Use a four layer PCB. As a general rule, a multilayer board is at least ten times better than a two layer board for both emissions and immunity. To reduce emissions even further, enclose the signal traces between the power and ground planes because the added capacitance between the signal trace and ground results in a lower characteristic impedance.
- Plot thick layout lines with the layout program, then cut the actual traces on the board thin.
- If a trace that conducts a high frequency signal must be routed on the surface of the PCB, route ground traces parallel to it to reduce radiation and crosstalk. Connect the ground traces to ground planes at varied intervals not to exceed the wavelength/4 at the highest frequency or harmonic expected.
- Round off PCB trace corners as much as possible to reduce the amount of excess capacitance that is introduced to the trace at corners.
- Make spacing between adjacent active traces greater than the trace width to minimize crosstalk.
- Put a chassis ground ring on the periphery of each layer of the PCB, to intercept the field coming off the board. Interconnect these rings with small ceramic capacitors.
- Use ferrite chokes when troubleshooting. Placing a choke around a signal line and the return conductor carrying a differential signal causes fields developed in the ferrite core by the opposing currents to cancel. Ferrite chokes can also be used on input/output lines. Because board-mounted chokes increase the number of holes connecting to the supply planes, they should be used only as a last resort.

# Freescale Semiconductor, Inc.

- Localize any high frequency circuits, such as the clock and address or data buses. Decouple locally using high frequency filters such as ferrite chokes or damping resistors. Be sure to separate the high speed and low speed circuits.
- Turn off any output signals (such as ECLK) that are not used.
- Shield the board externally.
- Reduce power supply noise as much as possible.

## 2.8.3 Other Sources of Information

Freescale publishes two application notes on related subjects:

*Designing for Electromagnetic Compatibility with HCMOS Microcontrollers* (AN1050/D)

*Transmission Line Effects in PCB Applications* (AN1051/D).

EDN Magazine offers a reprint of the "Designer's Guide to Electromagnetic Compatibility."

Refer to **6 SOURCES OF INFORMATION** for ordering information.

EMC consultants are probably the best source of information on this topic, since they specialize in EMC and RFI problems. Consultants can help troubleshoot real problems, conduct seminars and provide tutorials, books and software on the subject.

## 2.9 Connecting Memory and Peripherals

The MCU offers many different ways to configure memory and peripherals. The user can decode the external bus interface externally or use chip-selects. Since it is usually more efficient to use the chip-selects, this tutorial does not cover signal decoding. However, the *SIM Reference Manual* (SIMRM/AD) gives detailed explanations and examples of how to decode signals for both 8- and 16-bit memory devices on pages 5-31 through 5-34. These examples also show how to use function code pins to determine which address space is being accessed.

The MC68332 can generate 12 chip-select signals. These signals can be used to expand the system. A chip-select signal selects and enables a particular peripheral device or memory chip for data transfer. The chip-select circuits can also be programmed to generate data transfer and size acknowledge (DSACK), interrupt acknowledge (IACK), and autovector (AVEC) signals.

### 2.9.1 Using Chip-Selects to Generate $\overline{\text{DSACK}}$

Chip-select circuits can be configured to wait for external data and size acknowledge signals on the  $\overline{\text{DSACK1}}$  and  $\overline{\text{DSACK0}}$  lines or to generate internal DSACK signals. A circuit can generate an internal DSACK signal even if the pin is configured for discrete output or alternate function.

The chip-select logic can wait for a certain number of clock states before generating  $\overline{\text{DSACK}}$ . These states are called wait states. Wait states are inserted after state three of a read or write bus cycle. A normal bus cycle lasts three clock cycles plus the number of wait clock cycles. The chip-select logic can insert a maximum of 13 wait states.

#### 2.9.1.1 The Relationship Between Wait States And Memory Speed

Memory speed and the number of wait states necessary are related by the following equations:

$$\text{Address access time} = (2.5 + \text{WS}) \times t_{\text{CYC}(\text{min})} - t_{\text{CHAV}(\text{max})} - t_{\text{DIDL}(\text{min})}$$

$$\text{Chip-select access time (MCU read cycle)} = (2 + \text{WS}) \times t_{\text{CYC}(\text{min})} - t_{\text{CLSA}(\text{max})} - t_{\text{DIDL}(\text{min})}$$

$$\text{Chip-select access time (MCU write cycle)} = (2 + \text{WS}) \times t_{\text{CYC}(\text{min})} - t_{\text{CLSA}(\text{max})} + t_{\text{CLSN}(\text{min})}$$

In the equations, WS is the number of wait states programmed in the  $\overline{\text{DSACK}}$  field. For fast termination mode, WS = -1, for zero wait states, WS = 0, for one wait state, WS = 1, etc. Also, it is assumed that chip-select assertion is based on address strobe. If it is based on data strobe, add  $2(t_{\text{CYC}})$  to  $t_{\text{CLSA}}$  for the write cycle chip-select access time. The other known parameters are shown in **Table 2**.

**Table 2 Parameters Needed for Calculating Memory Access Times**

Parameter	16.78 MHz		20.97 MHz		25.17 MHz	
	Min	Max	Min	Max	Min	Max
Clock Period ( $t_{CYC}$ )	59.6 ns	—	47.7 ns	—	39.7 ns	—
Clock Low to $\overline{AS}$ , $\overline{DS}$ , $\overline{CS}$ Asserted ( $t_{CLSA}$ )	2 ns	25 ns	0	23 ns	2	19 ns
Data In Valid to Clock Low (Data Setup) ( $t_{DIDL}$ )	5 ns	—	5 ns	—	5 ns	—
Clock High to Address, FC, SIZE, $\overline{RMC}$ Valid ( $t_{CHAV}$ )	0	29 ns	0	23 ns	0	19 ns
Clock Low to $\overline{AS}$ , $\overline{DS}$ , $\overline{CS}$ Negated ( $t_{CLSN}$ )	2 ns	29 ns	2 ns	23 ns	2 ns	19 ns

MCU read cycle access time is used to determine the number of wait states needed for a given memory speed, because it is longer than write cycle access time, and is thus the limiting factor.

As an example, the equations below are solved for zero wait states, assuming 16.78 MHz timing:

$$\text{Address access time} = 2.5 \times 59.6 \text{ ns} - 29 \text{ ns} - 5 \text{ ns} = \underline{115 \text{ ns}}$$

$$\text{Chip-select access time (MCU read cycle)} = 2 \times 59.6 \text{ ns} - 25 \text{ ns} - 5 \text{ ns} = \underline{89.2 \text{ ns}}$$

$$\text{Chip-select access time (MCU write cycle)} = 2 \times 59.6 \text{ ns} - 25 \text{ ns} + 2 \text{ ns} = \underline{96.2 \text{ ns}}$$

The equations can also be solved for the number of wait states needed, given the memory speed. Use **Table 3** to find the number of wait states required for a particular memory speed. For example, with a 16.78 MHz clock, a memory with a write cycle time of 130 ns requires one wait state, since 130 ns is between 89.2 ns and 148.8 ns.

**Table 3 Memory Access Times in Nanoseconds**

Wait States	16.78 MHz		20.97 MHz		25.17 MHz	
	CS Read Access/ Memory Write Access	Address Access	CS Read Access/ Memory Write Access	Address Access	CS Read Access/ Memory Write Access	Address Access
F.T.	29.6	55.4	19.7	43.55	15.7	35.55
0	89.2	115.0	67.4	91.25	55.4	75.25
1	148.8	174.6	115.1	138.95	95.1	114.95
2	208.4	234.2	162.8	186.65	134.8	154.65
3	268.0	293.8	210.5	234.35	174.5	194.35
4	327.6	353.4	258.2	282.05	214.2	234.05
5	387.2	413	305.9	329.75	253.9	273.75
6	446.8	472.6	353.6	377.45	293.6	313.45
7	506.4	532.2	401.3	425.15	333.3	353.15
8	566.0	591.8	449.0	472.85	373.0	392.85
9	625.6	651.4	496.7	520.55	412.7	432.55
10	685.2	711	544.4	568.25	452.4	472.25
11	744.8	770.6	592.1	615.95	492.1	511.95
12	804.4	830.2	639.8	663.65	531.8	551.65
13	864.0	889.8	687.5	711.35	571.5	591.35

### 2.9.2 Using Chip-Select Signals to Enable Boot Memory

The MCU  $\overline{CSBOOT}$  chip-select circuit is always enabled from reset. Because the internal SRAM module is disabled out of reset, the  $\overline{CSBOOT}$  signal is generally used to select an external boot ROM. The  $\overline{CSBOOT}$  chip-select circuit features hardware-controlled selection of 8-bit or 16-bit bus width. Bus width is controlled

# Freescale Semiconductor, Inc.

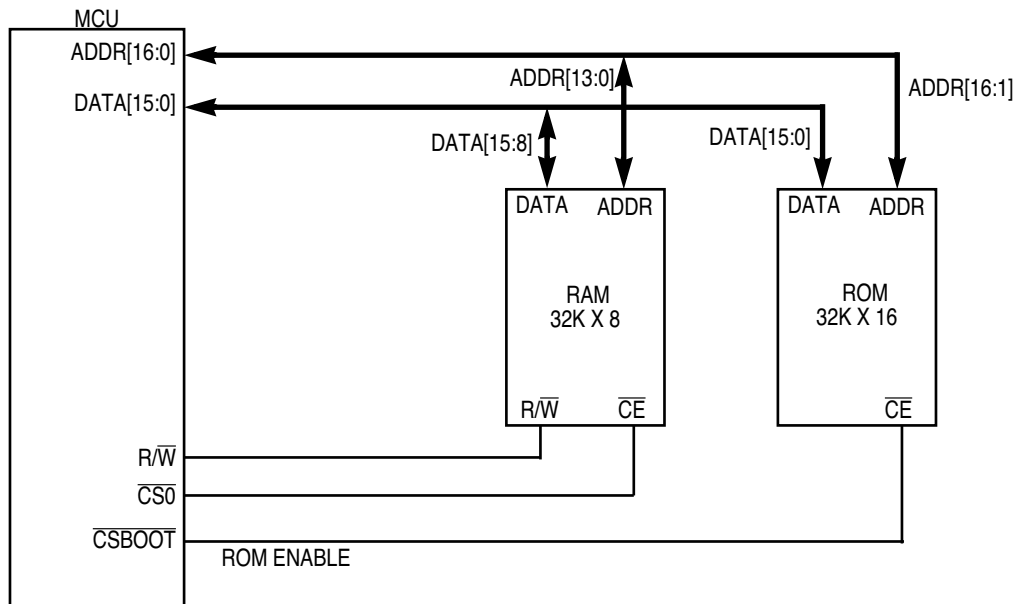
by the state of the DATA0 line at the release of the  $\overline{\text{RESET}}$  signal. The default bus width out of reset is 16 bits because the DATA0 line is pulled up to logic level one internally; however, the internal pull-up circuit is weak, so it is best to follow the recommendations in **2.1 Using Data Bus Pins to Configure the MCU**

For example, to design a system that uses 16-bit boot memory built from two 27C512 byte EPROMs, connect the chip-select and output enable lines of the EPROMs to the  $\overline{\text{CSBOOT}}$  line. Also connect MCU address lines ADDR[16:1] to address lines [15:0] of the memories. Do not use ADDR0 of the MCU. This system will be word accessible only.

In general, the MCU cannot make byte writes to word memory selected by  $\overline{\text{CSBOOT}}$ . This lack of byte write capability is not much of a practical limitation since the  $\overline{\text{CSBOOT}}$  signal is generally used for read-only access, and all CPU32 instructions must be word-aligned. However, if byte-write capability is required, the SIZ and  $\overline{\text{CSBOOT}}$  signals can be used to generate “high byte” and “low byte” chip-select signals. The only other way to modify individual bytes is to use word moves, being careful to write the original data back to the unchanged byte.

## 2.9.3 Using Chip-Select Signals to Enable External Memory

Chip-select signals can be configured for 8-bit or 16-bit ports. To use an 8-bit memory, connect the memory element’s data lines to the upper half of the MCU data bus (DATA[15:8]). The MCU reads and writes an 8-bit port on the upper half of the data bus. During write cycles, data is echoed on the lower half of the data bus as well. Connect address line ADDR0 of the MCU to A0 of the memory. An example configuration is shown in **Figure 13**. To use a 16-bit memory, connect the memory data lines to MCU data bus (DATA[15:0]). Connect address line ADDR1 from the MCU to A0 of the memory.



332TUT EXT MEM CONN 1

**Figure 13 Using Chip-Select Signals to Enable 8-Bit RAM**

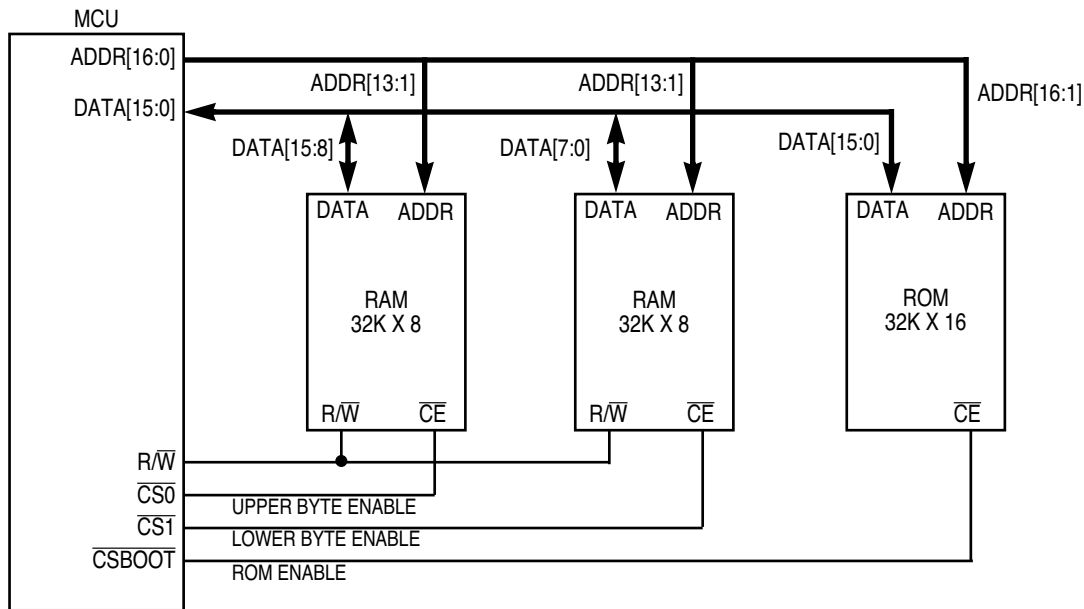
### 2.9.3.1 How to Construct Word Memory from Two Byte Memories

For chip-select signals other than  $\overline{\text{CSBOOT}}$ , forming word memory that is byte-accessible from two byte-wide devices is simple. Use a separate chip-select pin for each device, and configure chip-select logic to decode the upper and lower bytes, respectively. Each of the chip-select circuits must be configured as a 16-bit port, even though only eight bits of memory are being accessed. This allows both byte and word writes

# Freescale Semiconductor, Inc.

—if both memories were connected to the same chip-select line, byte writes would corrupt the adjacent byte. This function can also be implemented in external logic by gating a single chip-select line with the MCU ADDR0 line to select upper and lower bytes. For ROM memory a single chip-select can be used to enable both byte-wide ROMs, as the MCU uses only the required byte on the data bus during a byte read and ignores the remaining byte.

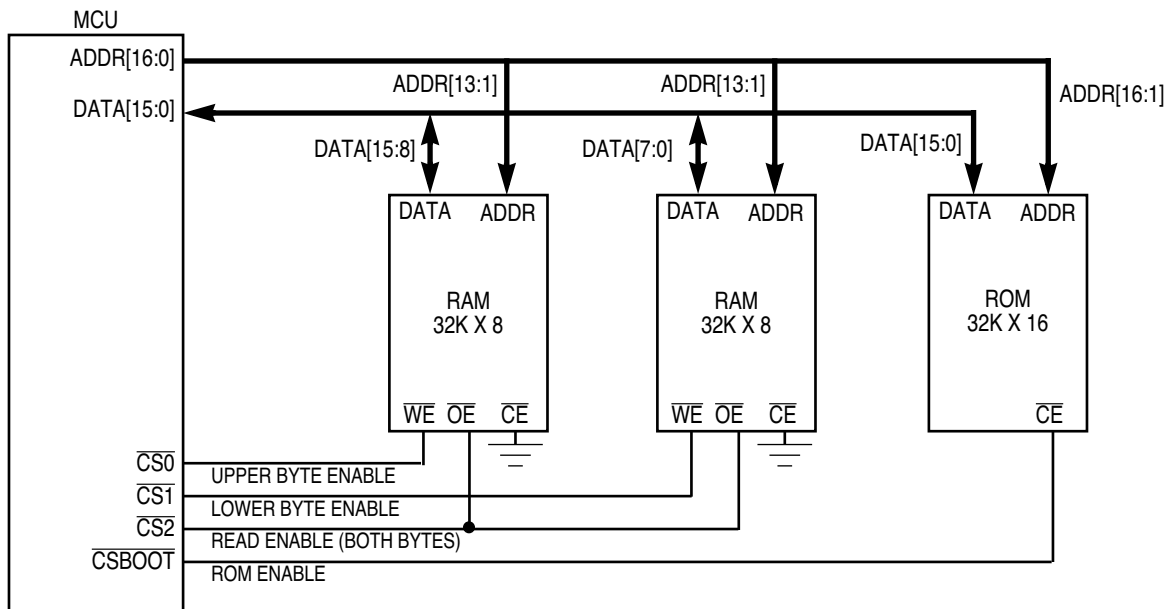
**Figure 14** illustrates how to connect two 8-bit memories as one 16-bit port. It also shows the connections necessary for a 16-bit memory. In this example configuration,  $\overline{CS0}$  is connected to the chip enable pin ( $\overline{CE}$ ) of the first RAM chip and  $\overline{CS1}$  is connected to the chip enable pin of the second RAM chip. This effectively makes  $\overline{CS0}$  the upper byte enable and  $\overline{CS1}$  the lower byte enable. The  $R/\overline{W}$  line of the MCU is connected to the  $R/\overline{W}$  lines of both RAM chips.  $\overline{CSBOOT}$  is connected to the ROM enable. ADDR[13:1] of the MCU are connected to address lines [12:0] of each RAM chip, and ADDR[16:1] of the MCU are connected to address lines [15:0] of the ROM.



332TUT EXT MEM CONN 2

**Figure 14 Configuring 16-Bit Memory with 8-Bit RAMs — Common  $R/\overline{W}$  Input**

Another common configuration is shown in **Figure 15**. Here, the chip enables ( $\overline{CE}$ ) are always asserted, the write enable ( $\overline{WE}$ ) for upper byte access is connected to  $\overline{CS0}$ , the write enable for lower byte access is connected to  $\overline{CS1}$ , and the read enable ( $\overline{OE}$ ) for both upper and lower byte accesses are connected to  $\overline{CS2}$ . See **4.2.10 Example of SIM Initialization** for software to initialize this example system.



332TUT EXT MEM CONN 3

Figure 15 Configuring 16-Bit Memory with 8-Bit RAMs — Separate Read and Write Enables

## 2.10 Using External Interrupts

The MCU has seven external interrupt lines,  $\overline{\text{IRQ}}[7:1]$ . These are active low signals that cause the processor to jump to a special routine and then return to the main code. The following paragraphs cover the basic elements of servicing external interrupt service requests. Refer to 4.1.1 **Exceptions** for more detail. Chapter 6 of the *SIM Reference Manual* (SIMRM/AD) has an in-depth explanation of how to use external interrupts.

### 2.10.1 Interrupt Priority Levels

An interrupt can be recognized on one of seven priority levels. These levels correspond to the numeric values of the external interrupt request lines. Level one ( $\overline{\text{IRQ}}1$ ) has the lowest priority; level seven ( $\overline{\text{IRQ}}7$ ) has the highest priority level. Levels one through six can be masked by the interrupt priority level (IPL) field contained in bits ten through eight of the CPU status register (SR). The level specified in the IPL field and all levels below it are masked and are not recognized by the CPU. Level seven is the only exception to this rule; it cannot be masked. Out of reset, the IPL field is set to level seven. Thus, levels one through six will not be recognized unless the IPL field is re-written to a lower value. The priority mask value can be changed by writing a new value into the appropriate bits of the SR.

#### EXAMPLE:

To allow interrupts on levels six and seven only, mask out levels five and below.

```
ANDI.W #$F8FF, SR
ORI.W  #$0500, SR
```

### 2.10.2 Interrupt Arbitration Field

Most modules in the MCU can request interrupt service. The CPU treats external interrupts as interrupt service requests from the system integration module. The interrupt arbitration (IARB) field in the configuration register of each module determines which module's interrupt requests take precedence when the CPU receives more than one request at the same priority level. In order for interrupt requests to be acknowledged, each module must be assigned a unique IARB number between \$1 (lowest precedence) and \$F (highest precedence). Out of reset, the SIM IARB field has an initial value of \$F, while other modules have initial IARB values of \$0.

## 2.10.3 Interrupt Vectors

Vectors are 32-bit addresses that point to the interrupt service routines (and other exception handlers). They are stored in a data structure called the exception vector table. There are 256 vector addresses in the exception vector table; of these, 199 can be used for interrupts. The base address of the exception vector table is determined by the value stored in the vector base register. A vector number is used to calculate the vector address, i.e., a displacement into the exception vector table.

## 2.10.4 The Interrupt Acknowledge Cycle

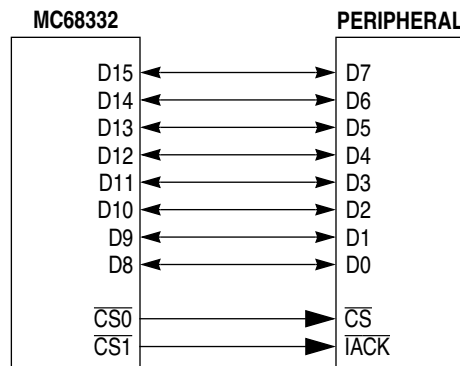
After the CPU recognizes a valid interrupt request, the CPU begins the interrupt acknowledge (IACK) cycle. The CPU changes the IPL mask value to the level of the acknowledged interrupt to preclude lower-or-equal priority interrupt requests, then initiates a read cycle in CPU space. Since there is no dedicated IACK pin on the MCU, an external IACK signal is usually provided by a chip-select pin.

Vector numbers can be supplied by the device requesting interrupt service, or they can be generated automatically. Vector numbers supplied by the device cause the CPU to access one of 192 user vectors in the exception vector table; automatically generated vectors cause the CPU to access one of the seven autovectors in the table. Each method of vector number acquisition requires a different form of IACK cycle termination. If a vector number is supplied, either the requesting device must terminate the IACK cycle with a  $\overline{DSACK}$  signal or the chip-select logic must generate the  $\overline{DSACK}$  signal internally. If an autovector is used, an external device can assert the  $\overline{AVEC}$  signal or an  $\overline{AVEC}$  signal can be generated by the chip-select logic. Since normal bus cycles occur in user or supervisor space, but an IACK cycle occurs in CPU space, the same chip-select circuit cannot be used to terminate both an IACK cycle and a normal bus cycle.

### 2.10.4.1 User Vectors

Once an interrupting device has placed a user vector number on the external data bus in response to an IACK signal from the MCU, either the device must terminate the IACK cycle with  $\overline{DSACK}$ , or the chip-select logic must generate  $\overline{DSACK}$  internally. When the bus cycle has been terminated, the vector number is left-shifted twice (multiplied by four), then a 32-bit vector address is formed by concatenating the upper 22 bits of the vector base register, the shifted value, and %00. The CPU then saves the current context, loads the 32-bit vector into the PC, and begins to execute the service routine at that address.

An example is shown in **Figure 16**. Chip select one is configured for interrupt acknowledge and automatic generation of the  $\overline{DSACK}$  signal. It is connected to the IACK pin of the peripheral. Because the processor drives \$FFFFx onto the address bus and drives the function code pins to indicate CPU space during an IACK cycle, the chip-select base address register must be programmed to \$FFFFx. When the CPU recognizes an interrupt and initiates an IACK cycle,  $\overline{CS1}$  is asserted. In response, the peripheral drives an 8-bit vector number onto the data bus. Chip-select logic then terminates the IACK cycle with  $\overline{DSACK}$ .



332TUT PERI CONN

Figure 16 Chip-Select Line Used for Interrupt Acknowledge

## 2.10.4.2 Autovectors

When an external device cannot supply a vector number in response to an IACK cycle, an autovector can be used instead. The autovector number is determined by the priority of the interrupt request. For example, autovector number two corresponds to  $\overline{\text{IRQ2}}$ . In order for an autovector to be used the IACK cycle must be terminated by an  $\overline{\text{AVEC}}$  signal. There are two ways to do this: either assert the  $\overline{\text{AVEC}}$  signal externally or use the chip-select circuitry to provide the  $\overline{\text{AVEC}}$  signal. Once the bus cycle has been terminated, the CPU saves the current context, loads the 32-bit vector into the PC, and begins to execute the service routine at that address.

One way to use autovectors is to tie the  $\overline{\text{AVEC}}$  pin to ground. This effectively generates an external  $\overline{\text{AVEC}}$  signal only in response to all IACK cycles caused by external interrupt service requests. If it is not desirable for all external interrupts to autovector, specific external devices can assert  $\overline{\text{AVEC}}$  in response to an IACK cycle. However, in this case it is usually easier to set up a chip-select circuit to provide the  $\overline{\text{AVEC}}$  signal internally.

Perform the following steps to set up a chip-select circuit to generate the  $\overline{\text{AVEC}}$  signal:

1. Configure the chip-select pin for any of its available functions in the pin assignment register.
2. Program the appropriate base address register to \$FFF8 or higher.
3. Select the following fields in the appropriate option register:
  - A. MODE Bit — select asynchronous mode (%0)
  - B. BYTE Field — select assertion for both bytes (%11)
  - C. R/W Field — select assertion for both reads and writes (%11)
  - D. STRB Bit — select synchronization with  $\overline{\text{AS}}$  (%0)
  - E. DSACK Field — select number of wait states (user specified)
  - F. SPACE Field — select CPU space assertion (%00)
  - G. IPL Field — select interrupt priority level (user specified)
  - H.  $\overline{\text{AVEC}}$  Bit — enable  $\overline{\text{AVEC}}$  generation (%1).

See 4.2 **Configuring the System Integration Module** for a more detailed description of the fields in chip-select option registers.

## 2.10.5 Level-Sensitive versus Edge-Sensitive Interrupt Pins

Interrupt pins  $\overline{\text{IRQ}}[6:1]$  are level sensitive. Assertion of an active-low signal connected to one of these pins is recognized as a valid interrupt request if the interrupt priority level of the pin is greater than the value of the IPL field in the CPU status register (SR). Once an interrupt service request is recognized, the SR is copied onto the stack, then the IPL value is changed to match the priority level of the interrupt being serviced. This prevents interrupts of the same or lower priority while the service routine executes. For instance, if the IPL value is \$3, and a level five service request is recognized, the SR is stacked, then the IPL value is changed to \$5. An RTE instruction at the end of the service routine normally terminates interrupt service. RTE pops the stacked SR, and thus restores the original IPL value. The IPL field can also be changed by writing to the SR. If an interrupt service routine writes a lower value to the IPL field while the request signal is still asserted, the CPU recognizes a second service request. Avoid changing the IPL value during execution of the interrupt service routine.

$\overline{\text{IRQ7}}$  is both edge and level sensitive. Level seven interrupts cannot be masked by the IPL field. When a level seven interrupt service request is recognized, the current value of the status register is pushed onto the stack, and the IPL value is changed to \$7.

It is very important to make certain that the  $\overline{\text{IRQ7}}$  signal be negated before the level seven interrupt service routine ends. A new level seven interrupt will be recognized in the following cases:

If the  $\overline{\text{IRQ7}}$  signal negates and is then re-asserted while the interrupt service routine is executing.

If the  $\overline{\text{IRQ7}}$  signal remains asserted through the RTE instruction that ends the service routine is executed.



## Freescale Semiconductor, Inc.

If the  $\overline{\text{IRQ7}}$  signal is asserted and the IPL field is written during execution of the interrupt service routine. This is true even when the mask is re-written to \$7.

Provide for negation of the signal within the service routine, and avoid writing to the SR during execution of the level seven interrupt service routine.

### 2.10.6 Checklist for External Interrupt Acknowledge

- **Is the desired pin configured as an interrupt pin instead of an I/O pin?**

The interrupt pins are dual-function pins. Their initial configuration is determined by the state of data bus pin nine at the release of reset. After reset, their configuration is determined by the port F pin assignment register.

- **Was the starting address of the interrupt routine written to the vector offset address?**

The CPU must be told where the interrupt service routine begins. See **4.1.1 Exceptions** for a more detailed explanation.

- **Is the IARB field in the SIMCR a unique, non-zero value between \$1 and \$F?**

All interrupting modules must have a unique, non-zero value in the IARB field

- **Is the IPL field in the CPU status register set to a value lower than the desired interrupt level?**

The CPU will not recognize an interrupt that is at the same level or lower than the value in the IPL field. Level seven is the only exception to this rule; it is always recognized.

- **Is the IACK cycle terminated with  $\overline{\text{AVEC}}$  or  $\overline{\text{DSACK}}$ ?**

The IACK cycle must be terminated by assertion of the  $\overline{\text{AVEC}}$  or  $\overline{\text{DSACK}}$  signals, or a chip-select circuit must be configured to assert  $\overline{\text{AVEC}}$  or  $\overline{\text{DSACK}}$  internally.

- **Does the interrupt request signal negate inside the exception handler?**

It is a good idea to control negation of the interrupt in software. The interrupt should be negated before the RTE instruction.

# Freescale Semiconductor, Inc.

## 3 ESTABLISHING COMMUNICATION

### 3.1 Communicating with the Target Board

After a target board has been built, it is generally necessary to communicate with it for debugging purposes. Although a designer can write a ROM monitor or modify CPU32Bug to communicate with the MCU via the serial port, it is simpler and often more effective to use an emulator or the CPU32 background debug mode (BDM) for communication.

#### 3.1.1 Using an Emulator

An emulator is a direct replacement for the chip that is used to evaluate both software and signals on the target board. Emulators can be very sophisticated and costly, but are very useful in tracking down design problems because they allow the designer to see exactly what the MCU is doing at every step of operation. When both the board and code are fully debugged, the emulator is removed and the MCU is placed on the board.

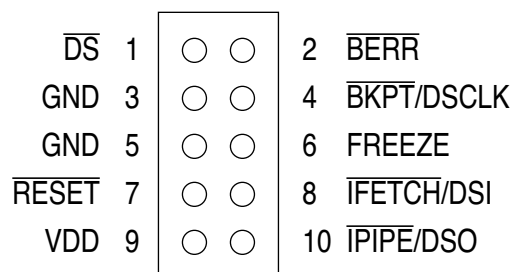
#### 3.1.2 Using Background Debug Mode

Background debug mode is a special CPU operating mode that allows an external host to take control of the MCU. BDM is a very useful tool for debugging. During BDM operation, normal instruction execution is suspended, and microcode executes built-in debugging instructions under external control. Since BDM suspends processor execution, an external host can examine and change memory and registers. BDM instructions and the protocol required to use them are described in detail in the *CPU32 Reference Manual* (CPU32RM/AD). A *BDM Driver Package for Modular Microcontrollers* (AN1230/D), shows how to implement a BDM communication interface using C-language drivers.

While a BDM interface is relatively easy to implement, ready-made BDM interfaces are inexpensive and reliable. Freescale sells the M68ICD32 BDM debugger made by P&E Microcomputer Systems. The M68ICD32 consists of the necessary cable and software to implement BDM debugging on an IBM-compatible PC. All the discussions in this section assume that M68ICD32 is being used.

##### 3.1.2.1 BDM Signals

To use BDM, simply connect ten MCU lines to pins on the development board that are spaced so that a female Berg connector can plug into them. **Figure 17** shows the pinouts for the recommended 10-pin BDM connector. **Table 4** describes the BDM signals. Refer to **3.2.1.2 Using the EVK in Background Debug Mode** for a discussion of the older, 8-pin connector.



332TUT BERG10

Figure 17 10-Pin BDM Connector

**Table 4 BDM Connections**

10-Pin Connector	8-Pin Connector	Signal	Use
1	—	$\overline{DS}$	Data Strobe
2	—	$\overline{BERR}$	Output from ICD to $\overline{BERR}$ input
3	1	GND	Ground Reference
4	2	$\overline{BKPT}/DSCLK$	Output from ICD to $\overline{BKPT}$ input; assertion causes MCU to first enable and then enter background mode. Once in BDM, this pin becomes the serial clock.
5	3	GND	Ground Reference
6	4	FREEZE	Output from MCU indicating whether it is operating normally or is in BDM
7	5	RESET	Device reset
8	6	$\overline{IFETCH}/DSI$	Serial input data to the MCU in BDM
9	7	$V_{DD}$	Device Operating Voltage
10	8	$\overline{IPIPE}/DSO$	Serial output data from the MCU in BDM

Only ten pins on the board, a special cable, and software are needed to debug. The M68ICD32 cable has a 10-pin female connector on one end and a PAL with a 25-pin connector on the other end. The 10-pin connector will plug directly into a male header or connector with the layout shown in **Figure 17**. The PAL end of the cable plugs into the parallel port of a PC. The PC runs the debugger software that controls the MCU in BDM.

### 3.1.2.2 How BDM Works

The debugger causes the MCU to enter debugging mode by driving the  $\overline{BKPT}$  pin low at the release of the RESET signal. Reset causes the MCU to fetch the reset exception vectors, load the program counter and stack pointer, then fetch the first instruction pointed to. Since the SRAM module is disabled out of reset, reset vector fetches are made from external memory enabled by the  $\overline{CSBOOT}$  signal. If the  $\overline{CSBOOT}$  chip-select circuit is configured to enable a 16-bit port ( $DATA0 = 1$  at release of RESET), the first word of the instruction is fetched, however, if the  $\overline{CSBOOT}$  chip-select circuit is configured to enable an 8-bit port ( $DATA0$  held low at the release of RESET), the MCU fetches the first byte of the instruction. The MCU then enters BDM.

At this point the debugger causes the MCU to fetch several instructions, which are displayed in the debugger window on the computer screen. If valid stack pointer and program counter values are present, and a valid program is resident at the address pointed to by the initial PC value, the debugger will display the code beginning at the program counter address.

If the initial stack pointer and program counter values are not valid, however, or if the external memory is either not connected or uninitialized when the fetches are made, it is very likely that the initial SP and PC values will be \$FFFFFF.  $\overline{CSBOOT}$  is the only chip-select circuit that is active out of reset, and it enables only the first one Mbyte of memory — when the first instruction fetches are made at \$FFFFFF, there will be nothing to generate  $\overline{DSACK}$  and terminate the bus cycle, and the debugger software will force a bus error. Should this occur, the debugger generally displays a series of “Memory implementation error: debugger supplied  $\overline{DSACK}$ ” messages on the computer screen. After the debugger software has finished making the scheduled number of program fetches, the error messages will stop, and the MCU will be in BDM waiting for the next debugger command. However, additional errors will occur if the next command is an external memory access because the program counter and stack pointer values are invalid.

When using a software background mode debugger to boot an MCU from external RAM or uninitialized ROM, it is imperative that the following actions be taken immediately after starting the debugger:

1. Load a value into address register A7 to serve as a stack pointer value. It must point to a modifiable memory address.
2. Load the address of the first instruction to be executed into the program counter.

# Freescale Semiconductor, Inc.

The debugger should now work reliably. That is, programs can be downloaded into the RAM and executed. Alternatively, write the reset vector to memory location \$000000. The reset vector is discussed in detail in

## 4.1.3.1 Initializing the Reset Vector

## 3.2 Communicating with Freescale Boards

Third party vendors sell many types of development tools to help establish communication with the MCU. These development tools are described in the *Freescale Microcontroller Development Tools Directory* (MCUDEVTDIR/D). However, this tutorial focuses only on Freescale evaluation boards.

### 3.2.1 The M68EVK332 and M68EVK332

The M68EVK332 (A or G) and the M68EVK331 are an evaluation kit that consists of two components: a platform board (PFB) and a business card computer (BCC). The PFB has logic analyzer connectors and sockets for external memory. The BCC is a plug-in daughter board that holds the MCU, RAM, and a boot EPROM. On older versions of the BCC, the EPROM is soldered to the board and cannot be easily reprogrammed. However, on newer versions of the BCC, the EPROM is socketed and can easily be removed and reprogrammed.

There are two ways to communicate with the EVK: serial communication using the ROM monitor in the EPROM and background debug mode (BDM) using a debugger. Both are valid ways of debugging code; however, the user interface for BDM is much more user-friendly.

#### 3.2.1.1 Communication Using the ROM Monitor

The EPROM contains a monitor program called CPU32Bug (332Bug in older versions of the BCC). CPU32Bug consists of both initialization code and a user interface. The initialization code sets the system clock to 16.778 MHz, disables the software watchdog, and configures chip-selects zero, one, and two, which are necessary to talk to the RAM. The user interface uses the serial communication interface (SCI) to give a prompt on a computer screen and allow the user to modify memory, load, trace, and run programs. The *CPU32Bug Debug Monitor User's Manual* (M68CPU32BUG/D) explains more about the capabilities of CPU32Bug.

Terminal emulation programs for the Macintosh, such as MacTerminal or Red Ryder, and communications software for the IBM-PC, such as Kermit or PROCOMM, are acceptable for use with the EVK. The *M68332EVK Evaluation Kit User's Manual* (M68332EVK/AD1) explains the necessary steps to follow for each type of software. This section will only explain how to use PROCOMM with the EVK.

First, assemble a cable as shown in **Figure 18**. The 25-pin connector goes to the serial port on the PC, and the 9-pin connector goes to P9 (terminal from BCC) on the EVK. Connect the cable from the appropriate 9-pin serial port on the EVK to the serial port on the PC. Then, execute the communications program. As an example, for PROCOMM PLUS, set up PROCOMM to match the EVK baud rate and protocol as follows:

9600 baud, no parity, eight bits, one stop bit, full duplex

Set up ASCII transfer parameters as follows:

Echo Local — No  
Expand Blank Lines — Yes  
Pace Character — 0  
Character pacing — 15 (milliseconds)  
Line pacing — 10  
CR Translation — None  
LF Translation — None

Now, apply power to the EVK and press the keyboard carriage return (<CR>) key to display the EVK monitor prompt. If necessary, press the BCC RESET button on the EVK.

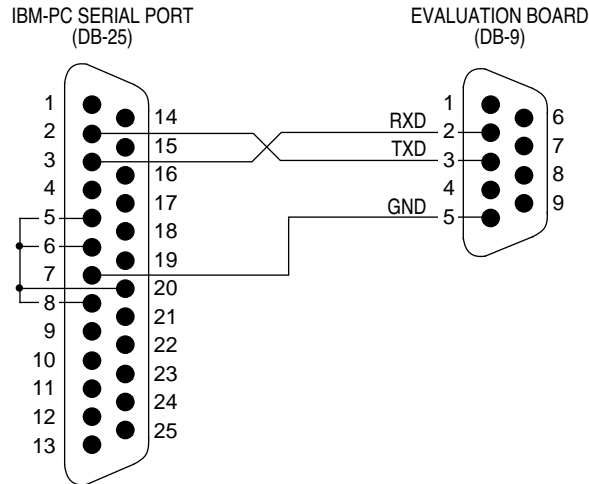
# Freescale Semiconductor, Inc.

To load a program, perform the following sequence:

CPU32Bug>LO

(Press <CR>)

Press the page up key on the PC keyboard. A small window will open and ask for the character protocol. Select ASCII. Then, when prompted to, type in the name of the S-record file.



332TUT SERIAL CONN

Figure 18 Terminal/PC Cable Diagram for PFB P9

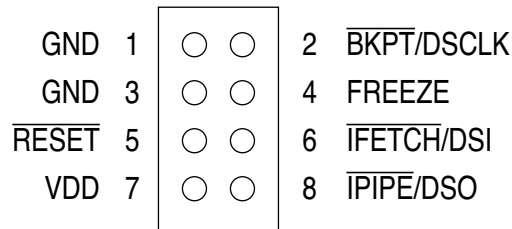
The file transfer is done when the beeper sounds and the underline cursor flashes. Press <CR> twice to return to the CPU32Bug prompt. See the *CPU32Bug Debug Monitor User's Manual* (M68CPU32BUG/D) or the *M68331BCC User's Manual* (M68331BCC/AD1) or the *M68332BCC User's Manual* (M68332BCC/AD1) for more information about debugging commands.

### 3.2.1.2 Using the EVK in Background Debug Mode

Both the PFB and BCC have a BDM connector. On older versions of the EVK, both the PFB and BCC BDM connectors have eight pins instead of ten pins. On newer versions of the EVK, the BCC has a 10-pin connector, while the PFB still has an 8-pin connector. The 8-pin connector is shown in **Figure 19**, and the 10-pin connector is shown in **Figure 17**.

The change from the 8-pin connector to the 10-pin BDM connector was made primarily to accommodate the  $\overline{\text{BERR}}$  signal. This signal is required to terminate bus cycles that would otherwise prevent the MCU from entering BDM (a bus cycle is unterminated if no bus termination signal, e.g.  $\overline{\text{DSACK}}[1:0]$  or  $\overline{\text{BERR}}$  is asserted externally or internally). The functions of the connector pins are described in **Table 4**.

When using a board with the 8-pin connector, connect pins three to ten of the ICD32 cable to pins one to eight of the 8-pin connector. Apply power to the board, and invoke the ICD32 software. Since  $\overline{\text{CSBOOT}}$  selects the EPROM on the BCC that contains the monitor program, the first address in the code window should be either 60090 or e0090, depending upon whether the EPROM contains M68332Bug or M68CPU32Bug (CPU32Bug is the newer version). Simply type "go" at the command prompt and then press any key to regain the prompt. At this point, basic system initialization (chip-select circuits, software watchdog, and system clock) is complete, and user code can be loaded into RAM. Alternatively, the system can be booted from memory in the U2 and U4 sockets on the PFB by changing the jumper settings on both the PFB and BCC. See the EVK manual for instructions.



332TUT BERGB

**Figure 19 8-Pin BDM Connector**

### 3.2.2 The M68EVS331 and M68EVS332

The M68331/332 EVS is exactly the same as the M68EVK331/332, but has an additional daughter card called the M68DICARD. The user communicates with the DICARD, which in turn communicates with the MCU, with a program called DIBUG (version 1.03 is the latest version). One use for the DICARD is to re-program the EPROM on the BCC. See *Application Snapshot (AS-52)* for more information (Snapshots are available on-line — see **6.2 Freeware Data Systems** for more information). The M68DICARD is no longer supported or sold, and neither is the M68EVS331 or M68EVS332. The M68EVK331 and M68EVK332 replace it.

### 3.2.3 The M68MEVB1632

The M68MEVB1632 is a more sophisticated development board than the M68331/332EVK. It consists of a platform board (PFB), a plug-in daughtercard called the personality board (MPB), and the M68ICD32 debugger. The PFB has memory sockets, logic analyzer connections, and jumpers which allow the user to select the state of critical boot-up signals such as the data bus pins and MODCLK. The MPB contains the MCU and crystal. The system is very versatile because there are MPBs for a number of different devices, and several MPBs can be used with the same PFB. Unlike the M68331/332EVK, the M68MEVB1632 does not have onboard EPROM with a monitor. The user must either use pre-programmed ROMs or use the BDM connector to download code into RAM.

### 3.2.4 The MMDS1632

The MMDS1632 is an emulator that provides high-speed, real-time hardware and software emulation for the target system. It replaces the MCU completely. It is designed to work with a package-specific personality board (PPB) and the MPB. Both of these boards must be purchased separately. The MPB is not necessary if the user has a target board already built. In this case, a connection from the MMDS1632 can be soldered or socketed to the connections intended for the MCU. Contact a local Freescale sales office for more information on the MMDS1632.

# Freescale Semiconductor, Inc.

## 4 SYSTEM INITIALIZATION

### 4.1 Configuring the Central Processing Unit

Initial stack pointer and program counter values are fetched from boot ROM. Other CPU resources that must be initialized include the vector base register, the exception vector table, and the CPU status register.

#### 4.1.1 Exceptions

An exception is a special condition, such as a reset, an interrupt, or an address error, that pre-empts normal processing. When the processor recognizes an exception, it jumps to a special address and executes code starting at that address until it reaches a return from exception (RTE) instruction. Then, it resumes execution of the normal program code. The vectors in the exception vector table tell the processor the starting address of each exception routine. The vector base register (VBR) determines the location of the vector table in memory.

#### 4.1.2 Vector Base Register

The vector base register is initialized to \$000000 at reset, but the table can later be moved by changing the value in the VBR. Changing the address of the table does not alter the vectors it contains. Use a MOVEC instruction to access the VBR.

#### 4.1.3 Exception Vector Table

The CPU32 recognizes 256 exception vector numbers. Each vector number corresponds to a space in the exception vector table that is two words long. Thus, the table extends 1024 bytes upward in memory from the base address. Each of the spaces in the table contains a 32-bit value that is used as an address pointer, or vector. The actual address of each of the vectors in the table, referred to as the vector address, is four times the vector number plus the vector base address.

**Table 5** is an overview of the exception vector table. Refer to **SECTION 6 EXCEPTION PROCESSING** in the *CPU32 Reference Manual* (CPU32RM/AD) for detailed discussion of exception processing and a complete list of exception vectors.

The first two spaces (four words) in the exception vector table are used for initial stack pointer and program counter values. These are referred to collectively as the reset vector, because the CPU32 loads the SP and PC sequentially during reset exception processing. Unlike other vectors, the reset vector is mapped to supervisor program space, to facilitate fetching the values. Because the VBR is initialized to \$000000 during reset, the reset vector is always located at address \$000000.

All the other exception vectors occupy two words in the table, and are located in supervisor data space. These vectors point to the beginning of software routines that handle particular exceptions. All the vectors in the exception vector table must be initialized. The reset vector is generally fetched from external ROM. Correct initial values for the stack pointer and program counter must be written to addresses \$000000 to \$000006 in order for the system to begin program execution.

Following is an example of how the exception vector table works. Assume that the vector table base address is the default value, \$000000. An external device asserts  $\overline{IRQ7}$ , and the CPU acknowledges the interrupt service request. The external device must either provide a user vector number on the data bus and then terminate the bus cycle by asserting  $\overline{DSACK}$ , or it must assert  $\overline{AVEC}$  and allow the processor to automatically supply the level seven autovector number, which is 31. Assuming the external device asserts  $\overline{AVEC}$ , vector number 31 is automatically supplied to the CPU32. The CPU32 multiplies the vector number by four to calculate the vector offset, then adds the vector offset to the contents of the VBR. The sum is the memory address that contains the starting address of the exception routine. In this case, since VBR content is \$000000, the vector offset is  $31 \times 4 = 124 = \$7C$ . The CPU reads address \$7C and uses the 32-bit number it contains as the starting address of the interrupt service routine.

**Table 5 Exception Vector Table**

Vector Number (Decimal)	Vector Offset (Hexadecimal)	Assignment
0	0	Reset: Initial Stack Pointer
1	4	Reset: Initial Program Counter
2–15	8–3C	Various Errors and Exceptions
16–23	40–5C	Unassigned, Reserved
24	60	Spurious Interrupt
25	64	Level 1 Interrupt Autovector
26	68	Level 2 Interrupt Autovector
27	6C	Level 3 Interrupt Autovector
28	70	Level 4 Interrupt Autovector
29	74	Level 5 Interrupt Autovector
30	78	Level 6 Interrupt Autovector
31	7C	Level 7 Interrupt Autovector
32–47	80–BC	Trap Instruction Vectors
48–63	C0–FC	Unassigned/Reserved
64–255	100–3FC	User Defined Vectors

### 4.1.3.1 Initializing the Reset Vector

Immediately after the release of **RESET**, an internal state machine fetches the word values at addresses \$000000 through \$000006 and loads them into the stack pointer and program counter. These values, generally referred to collectively as the reset vector, are shown in **Table 6**. The values in the reset vector must be initialized in order for program execution to begin.

**Table 6 Reset Vector for CPU32**

Address	Reset Vector
\$0000	Initial Stack Pointer Upper Word
\$0002	Initial Stack Pointer Lower Word
\$0004	Initial Program Counter Upper Word
\$0006	Initial Program Counter Lower Word

Sample code to initialize the reset vector follows. This code can be assembled with the IASM32 assembler available from P&E Microcomputer Systems. Make sure that the stack does not overlap the program code (the stack grows downward in memory). If the assembler does not recognize “DW”, check the manual to determine the format for defining a constant word. Another common format is “DC.W.” This example is in the file “init\_res.asm” in the archive “331\_2ini.zip” on the Freeware Data System.

```

org    $0000           ;begin at address $000000 of memory map
DW     $0000           ;initial stack pointer = $4000
DW     $4000
DW     $0000           ;initial PC = $400
DW     $0400
    
```

### 4.1.3.2 Initializing Exception Vectors Other than Reset

Each exception vector should point to a handler routine in case the exception is accidentally taken. In an actual program, the vectors would point to different labels, but in the example below, all of the vectors point to the same label (INT). This label must be included later on in the code in case an exception is taken. This example assumes that the label INT is at an address less than \$10000. In other words, the upper word of



# Freescale Semiconductor, Inc.

the address is \$0000. This example is in the file "init\_int.asm" in the archive "331\_2ini.zip" on the Freeware Data System. This code can be assembled with the IASM32 assembler.

```
org      $0008      ;put the following code in memory after the reset vector.
DW      $0000      ;The address of label INT is stored at location $0008,
DW      INT        ;which is the bus error vector
DW      $0000      ;address error -- location $000C
DW      INT        ;
DW      $0000      ;illegal instruction -- location $0010
DW      INT        ;
DW      $0000      ;zero division -- location $0014
DW      INT        ;
DW      $0000      CHK, CHK2 Instructions -- location $0018
DW      INT        ;
DW      $0000      ;Last User Defined Interrupt -- stored at location $03FC
DW      INT        ;
```

In the actual program code, the following routine must be included:

```
INT      {code to handle}
         {the exception}
         {goes here}
RTE      ;return to the code that was previously being executed
```

## 4.1.4 CPU Status Register

The CPU status register contains some very important information. The SR is discussed on page 2-3 of the *CPU32 Reference Manual* (CPU32RM/AD). The fields are briefly described below:

**Trace Enable [15:14]** — If enabled, these bits cause the CPU to generate a trace exception after each instruction executes, allowing a debugging program to monitor the execution of a program under test. Out of reset, tracing is disabled. See page 6-13 in the *CPU32 Reference Manual* (CPU32RM/AD) for more details.

**Supervisor/User State [13]** — The MCU has two privilege levels: supervisor and user. Not all registers and instructions are available at the user level. Most programs operate at the user level and then pass control to a supervisor routine by causing an exception. Out of reset, the Supervisor/User State bit is set, which means that the MCU is in supervisor mode. See pages 5-2 to 5-3 in the *CPU32 Reference Manual* (CPU32RM/AD) for more details.

**Interrupt Priority Level [10:8]** — The interrupt priority level determines which interrupts are recognized and which are masked. Level seven interrupts are always recognized. To allow other interrupts, this field must contain a value that is lower than the interrupt priority level desired. For example, to allow level 6 interrupts, the value must be %101 or less. Out of reset, the field has a value of %111, which disables all interrupts except for level seven interrupts.

**Condition Code Register [4:0]** — The bits in the condition code register reflect the results of a previous operation, and can be used for various condition tests, including conditional branches. There are extend, negative, zero, overflow, and carry bits.

## 4.2 Configuring the System Integration Module

Since the SIM determines important operating characteristics of the entire MCU, it should be the first module after the CPU to be initialized. The following paragraphs discuss registers for which correct initialization is important.

### 4.2.1 System Integration Module Configuration Register (SIMCR)

The SIMCR controls module mapping for the MCU, internal use of the FREEZE signal, and the precedence of simultaneous interrupt requests of the same priority. Configure the SIMCR as follows.

# Freescale Semiconductor, Inc.

1. Set the state of the module mapping (MM) bit. Its reset state is a one, and can be written once. MM determines where the internal control registers are located in the system memory map. When MM = 0, register addresses range from \$7FF000 to \$7FFFFFF; when MM = 1, register addresses range from \$FFF000 to \$FFFFFF.
2. If using the software watchdog, periodic interrupt timer, or the bus monitor, select action taken when FREEZE is asserted. The freeze software enable (FRZSW) bit determines whether the software watchdog and periodic interrupt timer counters continue to run when FREEZE is asserted, and the freeze bus monitor enable (FRZBM) bit determines whether the bus monitor continues to operate when FREEZE is asserted.
3. Select the interrupt arbitration level for the SIM with the interrupt arbitration (IARB) field. The default state out of reset is \$F, the highest precedence. To avoid spurious interrupts, each module requesting interrupts must have a unique, non-zero value in the IARB field. The CPU treats external interrupt requests as SIM interrupts.

## 4.2.2 Clock Synthesizer Control Register (SYNCR)

SYNCR controls clock frequency, clock reference failure, clock signal usage during low-power stop, and frequency of the 6800 bus clock output (ECLK). Configure SYNCR as follows.

1. Set frequency control bits (W,X,Y) to specify frequency. Ensure that the settings of these control bits do not allow the VCO to exceed its maximum frequency of twice the maximum system clock frequency. The X bit determines whether the VCO runs at four times the system clock frequency (X = 1) or twice the system clock frequency (X = 0). Thus, for system clock frequencies greater than 1/4 the maximum VCO frequency, the X bit must be clear.
2. Select action to be taken during loss of crystal (RSTEN bit): activate a system reset or operate in limp mode.
3. Select system clock during LPSTOP (STSIM and STEXT bits).
4. If using the ECLK, select the ECLK frequency (EDIV bit).

## 4.2.3 System Protection Control Register (SYPCR)

SYPCR controls the software watchdog, which is enabled out of reset. This means that, unless the SWE bit is cleared, a program must write the appropriate service sequence to the software service register (SWSR) in a defined period or the MCU will reset each time the watchdog times out.

1. Disable the software watchdog, if desired, by clearing the SWE bit.
2. If the watchdog is enabled, perform the following actions.
  - A. Choose whether to prescale the software watchdog clock (SWP bit).
  - B. Select the time-out period (SWT bits).
3. Enable the double bus fault monitor, if desired (DATAFE bit or HME bit).
4. Enable the external bus monitor (BME bit) if desired.
5. Select the time-out period for bus monitor (BMT bits).

## 4.2.4 Periodic Interrupt Timer Register (PITR)

PITR and PICR control the periodic interrupt timer (PIT). The PIT begins to run when a timing modulus is written to the PITM field in PITR. However, interrupt requests from the PIT are recognized only after an interrupt priority level is written into the PIRQL field in the PICR. Clearing PITM stops the timer; clearing PIRQL disables interrupts, but the timer continues to run. Because the CPU treats external interrupts as SIM interrupt requests, PIT interrupts take precedence over external interrupts of the same priority. To use the timer, proceed as follows.

1. Make certain that there is a vector to the interrupt service routine in the exception vector table, and that there is a service routine at the address pointed to.
2. Select whether or not to prescale the timer clock signal (PTP bit in PITR).
3. Select the timing modulus or interrupt rate (PITM field in PITR).

## 4.2.5 Periodic Interrupt Control Register (PICR)

1. Determine the appropriate PIT vector number and interrupt priority.
2. Write vector number and interrupt priority to PIV and PIRQL fields in PICR.

## 4.2.6 Chip-Select Pin Assignment Registers (CSPAR0 and CSPAR1)

The chip-select pins can be used in a number of ways. CSPAR determine the functions of the pins.

1. Set up the chip-select pins for discrete output, 8-bit chip-select operation, 16-bit chip-select operation, or alternate function.
2. If a chip-select circuit is used to generate an interrupt acknowledge signal, it must be configured for chip-select operation. However, if a chip-select circuit is used to generate an autovector, the pin can also be used for discrete output or its alternate function.

## 4.2.7 Chip-Select Base Address Registers (CSBARBT, CSBAR[10:0])

Chip-select signals are asserted when the CPU accesses certain ranges of addresses. The base address registers specify the address ranges for each chip-select circuit.

1. Reprogram the base address and/or block size of  $\overline{\text{CSBOOT}}$  if desired. The default value out of reset is a base address of \$000000 with a block size of 1 Mbyte.
2. Program the base address and block size for each chip-select circuit that is used. The base address must be on a word boundary of the block size. For example, for an 8 Kbyte block size, the base address can be \$2000, \$4000, \$6000, \$8000, etc. If a chip-select circuit is used to generate an interrupt acknowledge signal or an autovector, the base address register must be set to \$FFF8 or higher because interrupt acknowledge cycles occur in CPU space.

## 4.2.8 Chip-Select Option Registers (CSORBT and CSOR[10:0])

The option registers control the conditions under which a chip-select signal is asserted.

1. Reprogram the options for  $\overline{\text{CSBOOT}}$  if desired. Reducing the number of wait states from the reset value of 13 increases execution speed.
2. Program the option registers for each chip-select circuit used.
  - A. MODE — Select asynchronous mode (%0) unless using the ECLK output to provide synchronous bus timing for 6800 peripherals. In synchronous mode (%1), the STRB and  $\overline{\text{DSACK}}$  fields have no effect.
  - B. BYTE — This field determines whether to assert the chip-select signal for an upper-byte access, lower-byte access, both, or neither. When two 8-bit memories are used to make up one 16-bit port, the associated chip-select circuits are programmed identically except for BYTE field values — select upper byte for one and lower byte for the other.
  - C. R/ $\overline{\text{W}}$  — This field specifies whether to assert the chip-select signal during a read cycle, a write cycle, or both. When the chip-select circuit is used to generate an IACK signal or to provide an autovector, this field must be set to “read”.
  - D. STRB — This field specifies whether chip-select assertion is synchronous with  $\overline{\text{AS}}$  or  $\overline{\text{DS}}$ . If a chip-select circuit is used to generate an IACK signal or to provide an autovector, this field should be set to “ $\overline{\text{AS}}$ ”.
  - E.  $\overline{\text{DSACK}}$  — This field either specifies the number of wait states to insert before the chip-select circuit asserts  $\overline{\text{DSACK}}$  and terminates the bus cycle, or it specifies that the external device must provide the  $\overline{\text{DSACK}}$  signal by driving the external  $\overline{\text{DSACK}}$  pins. Assertion of the external  $\overline{\text{DSACK}}$  pins will terminate a bus cycle even if the  $\overline{\text{DSACK}}$  field is programmed for a certain number of wait states. If a chip-select circuit is used to provide an autovector, fast termination is automatically selected, and the  $\overline{\text{DSACK}}$  field is not used. For more information on how to determine the number of wait states needed, see **2.9.1 Using Chip-Selects to Generate  $\overline{\text{DSACK}}$** .
  - F. SPACE — This field indicates the address space of the access. To access memory, select supervisor/user space. For IACK cycles, select CPU space.
  - G. IPL — If the chip-select circuit is used to provide an IACK signal or  $\overline{\text{AVEC}}$ , the IPL field indicates the interrupt priority level selected.

H. AVEC — This field determines whether a chip-select circuit generates an autovector in response to an IACK initiated by the assertion of an  $\overline{\text{IRQ}}$  pin. For normal bus cycles, this field is not used. If a chip-select circuit is to be used to generate an IACK signal, program this field to zero to disable autovector generation. If a chip-select is to be used to generate an autovector, program this field to one.

## 4.2.9 General-Purpose I/O Ports

Certain SIM pins can be configured as general-purpose I/O ports when not used for other purposes. Port E pins share function with bus-control signals, port F pins share function with interrupt request signals, and port C (output only) pins share functions with chip-select signals. The ports are controlled by pin assignment registers (CSPAR, PEPAR, and PFPAR) and data direction registers (DDRE and DDRF). Pin assignment registers determine whether a pin is used for general-purpose I/O or for another function. Data direction registers determine whether an I/O pin is an input or an output. Data is written to and read from the port data registers (PORTC, PORTE and PORTF).

1. Assign port pins by writing to pin assignment registers.
2. Program the data direction registers to assign input or output function to port pins.
3. Use the port data registers to read/write data.

## 4.2.10 Example of SIM Initialization

The following example is in the file “sim\_init.asm” in the archive “331\_2ini.zip” on the Freeware Data System. It can be assembled with the IASM32 assembler.

This example initializes the periodic interrupt timer and chip selects  $\overline{\text{CS0}}$ ,  $\overline{\text{CS1}}$ , and  $\overline{\text{CS2}}$ . The program initializes two 32K x 8 RAM chips using the chip selects. The memory will start at address \$30000 and will be both byte and word readable and writable. This program assumes that the RAM chips have access times of 85 ns and require no wait states. The  $\overline{\text{DSACK}}$  field of the CSOR registers may need to be adjusted for chips that have faster or slower access times. The hardware configuration should be similar to Figure 13b shown earlier in this tutorial in the section “Connecting Memory and Peripherals.” However, if you are loading this program into memory using a debugger,  $\overline{\text{CSBOOT}}$  must be connected to RAM instead of ROM. If  $\overline{\text{CSBOOT}}$  is connected to ROM (this is the case on the M68332EVK), this code cannot be executed. Either comment out the section that initializes the chip selects, or use a BDM debugger such as M68ICD32. In this case, manually change the registers by using the memory modify (mm.w) command.

To run this program on the M68MEVB331/332, do the following:

- Disable the PRU (W5) in order to use CS2.
- Disconnect jumpers W8 and W11.
- Physically connect J13 pin nine (CS1) to pin two of W11.
- Physically connect J12 pin 19 (CS2) to pin two of W8.
- Place RAM in sockets U1 and U3 and adjust the associated jumpers if necessary.

This code cannot be run “as-is” on an MC68331/332 EVK since CSBOOT is connected to ROM instead of RAM. CPU32Bug initializes CS0, CS1, and CS2 to select memory beginning at \$000000 and maps the boot ROM higher in memory.

```
#SIZING_ON
INCLUDE      'equ332.asm' ;equates (for MC68331, choose 'equ331.asm')
INCLUDE      'init_res.asm';include reset vector
INCLUDE      'init_int.asm';include interrupt vectors
ORG          $400        ;begin program at $400, immediately after
                    ;the exception table

CLR.L        D0
MOVEC        D0,VBR      ;make sure that VBR is initialized to zero
                    ;it is initialized to 0 out of reset
MOVE.L        #$30000,A0 ;init A0 to point to first RAM location
INITSYS:
MOVE.B        #$7F,SYNCR ;set system clock to 16.78 MHz
CLR.B        SYPCR      ;disable software watchdog
INITCS:
```

```

* This section initializes the Chip Selects.
  MOVE.W    #$0003,CSBARBT    ;base address of $00000, block size of 64K
  MOVE.W    #$7870,CSORBT    ;both bytes, R/W, one wait state (if
                              ;programming this code into ROM, set
                              ;this field to $6B30).
* Set up chip selects with a base address of $30000, block size of 64K
  MOVE.W    #$0303,CSBAR0    ;set CS0 base addr to $30000, 64K blk
  MOVE.W    #$0303,CSBAR1    ;set CS1 RAM base addr to $30000, 64K blk
  MOVE.W    #$0303,CSBAR2    ;set Chip Select 2 at base addr $30000
  MOVE.W    #$5030,CSOR0     ;set Chip Select 0, upper byte, write only
  MOVE.W    #$3030,CSOR1     ;set Chip Select 1, lower byte, write only
  MOVE.W    #$6830,CSOR2     ;set Chip Select 2, both bytes, read only
  MOVE.W    #$3FFF,CSPAR0    ;set Chip Selects 0,1,2 to 16-bit ports
INITPIT
* This section of code initializes the periodic interrupt timer to interrupt
* every second. Make sure that other code (such as CPU32Bug) hasn't already
* initialized the Vector Base Register to something other than zero.
  MOVE.L    #CLKINT,$0100    ;store starting addr of interrupt routine
                              ;at location $100 ($40 X 4). Assume VBR = 0.
  MOVE.W    #$0640,PICR      ;interrupt level 6, vector $40
  MOVE.W    #$0110,PITR      ;time-out period of 1 second
  ANDI.W    #$F0FF,SR        ;mask interrupts below level 6
  ORI.W     #$0500,SR
  ANDI.W    #$FFFF,SIMCR     ;set interrupt arbitration field to a
  ORI.W     #$0005,SIMCR     ;unique value.
ITSELF
  BRA ITSELF                ;stay here while waiting for interrupts
CLKINT
  ADDI.W    #$01,(A0)        ;increment first RAM location
INT
  RTE                    ;unused interrupts point here

```

### 4.3 Configuring Internal RAM

The internal RAM is a module on the MC68332. The MC68331 does not have any internal RAM. The internal RAM on the MC68332 can be mapped to any 2 Kbyte boundary in the address map, but it must not overlap the module control registers. The RAM is disabled out of reset. To initialize the RAM, write the desired base address to the RAM base address and status register (a write-once only register) and clear the RAMDS bit to enable the RAM. Configure the RASP[1:0] bits in the RAM module configuration register to select the access privileges.

If battery backup for the RAM is not used, connect the  $V_{STBY}$  pin to ground. If backup battery power is used, consult the *MC68332 User's Manual* (MC68332UM/AD) for an explanation of calculating the capacitance needed between the  $V_{STBY}$  pin and ground.

When using the ICD32 debugger, make sure not to display any potentially uninitialized memory in the F3 and F6 windows, because the debugger tries to read this memory and will display error messages if it is uninitialized.

### 4.4 Configuring The Queued Serial Module

The queued serial module (QSM) is divided into two submodules: the serial communications interface (SCI) and the queued serial peripheral interface (QSPI). The following sections give basic examples of QSM configuration. See the *QSM Reference Manual* (QSMRM/QD) for more detailed information.

#### 4.4.1 Configuring the SCI

The following example is in the file "sci\_init.asm" in the archive "331\_2ini.zip" on the Freeware Data System. It can be assembled with the IASM32 assembler.

This program prints the five-character message "12345" to the screen. Do the following before running this program:

1. Connect an RS-232 cable from the PC serial port to the target board. If using an M68EVK331/332, connect a DB-9 RS232 cable to connector P9. If using an M68MEVB331/332, there are two options:
  - A. Connect a DB-25 RS232 cable to connector J22. Connect J18 pin 13 (TXD) to J23 pin four. Connect J18 pin 14 (RXD) to J23 pin two. Keep W23 at the factory setting of DCE.

# Freescale Semiconductor, Inc.

- B. Connect a DB-9 RS232 cable to connector J21. Connect J18 pin 13 (TXD) to J23 pin three. Connect J18 pin 14 (RXD) to J23 pin 1. Keep W20 at the factory setting of DCE.
2. When using ICD32, set the serial communications protocol for the COM port being used, 9600 baud, no parity, eight data bits, and one stop bit. For example, when using COM 2, type in the command: serial 2 9600 n 8 1.
3. When using ICD32, enable the serial communications by typing: serial on
4. Load and run the program.

```
#SIZING_ON
    INCLUDE    'equ332.asm' ;equates (for MC68331, choose 'equ331.asm')
    INCLUDE    'init_res.asm';include reset vector
    INCLUDE    'init_int.asm';include interrupt vectors
    ORG        $400          ;begin program at $400, immediately after
                          ;the exception table

INIT_SIM
    MOVE.B    #$7F,SYNCR    ;increase clock speed
    CLR.B     SYPCR         ;disable software watchdog

INIT_SCI
    MOVE.W    #$0037,SCCR0  ;set the SCI baud rate to 9600
    MOVE.W    #$000C,SCCR1  ;enable the receiver and transmitter

PRINT
    LEA MESSAGE,A0        ;load the effective address of the message
                          ;to be printed into address register A0.
* The next two commands load the effective address of the last character
* of the message into address register A1.
    MOVE.L    A0,A1
    ADDA.L    #$5,A1
* The next three commands check to see if the transmit data register is empty
* by looking at the TDRE bit in the SCI status register (SCSR). If the TDRE bit
* is zero, then there is data in register TDR that has not yet been sent to the
* transmit serial shifter. If the TDRE bit is one, then the transfer has
* occurred, and a new character may be written to register TDR. Thus, this
* sequence of code loops until the TDRE bit is one.
LOOP
    MOVE.W    SCSR,D0
    ANDI.W    #$0100,D0
    BEQ LOOP
    MOVE.B    (A0)+,D0      ;move the current letter of the message
                          ;into D0. Then, increment A0 to point to
                          ;the next letter
    MOVE.W    D0,SCDR      ;transfer the current letter to SCDR
    CMPA.L    A1,A0        ;check to see if at the end of the message
    BNE LOOP              ;if not, print another character

FINISH
    BRA FINISH            ;stay here when done

INT
    RTE                  ;unused interrupts point here

MESSAGE
    FCB '12345'          ;"12345" will be printed
```

## 4.4.2 Configuring the QSPI

The QSPI uses a synchronous serial bus to communicate with external peripherals and other MCUs. The QSPI serial protocol is compatible with the serial peripheral interface (SPI) on the M68HC11 and M68HC05 families of MCUs. The module also has a queue, programmable queue pointers that allow up to 16 automatic transfers, and a wrap-around mode that allows continuous transfers to and from the queue with no CPU intervention. The queue is useful in applications such as control of an A/D converter. Remember the following points when using the QSPI:

- Setting the SPE bit to enable the QSPI should be the last step in initialization.
- Data direction register DDRQS and port data register PORTQS must be initialized, even for pins that are assigned to the QSPI in pin assignment register PQSPAR.
- Peripheral chip-select signals are asserted when a command in command RAM is executed, but the assertion state (active high or active low) of the peripheral chip-select signal is determined by the value of the appropriate bit in PORTQS.

# Freescale Semiconductor, Inc.

The following example illustrates how to initialize the QSPI in the wrap-around mode, with eight data bits per transfer and active-low peripheral chip-select pins. Modifying the code to disable the wrap-around mode is very simple. The modification is explained in the comments. The example is in the file "qspiinit.asm" in the archive "331\_2ini.zip" on the Freeware Data System. It can be assembled with the IASM32 assembler.

```
#SIZING_ON
    INCLUDE 'equ332.asm' ;equates (for MC68331, select 'equ331.asm')
    INCLUDE 'init_res.asm';include reset vector
    INCLUDE 'init_int.asm';include interrupt vectors
    ORG $400 ;begin program at $400, immediately after
    ;the exception table

INIT_SIM
    MOVE.B #$7F,SYNCR ;increase clock speed
    CLR.B SYPCR ;disable software watchdog

INIT_QSPI
    ANDI.W #$7F,SPCR1 ;Clear the SPE bit in SPCR1 to disable
    ;the QSPI. Enabling the QSPI is the last
    ;step in the initialization sequence.
* The next command reads and clears the flags in SPSR. These flags are the
* QSPI finished flag (SPIF), the mode fault flag (MODF), and the halt
* acknowledge flag (HALTA). The SPIF bit is usually the flag of interest. It is
* set by the QSPI upon completion of a serial transfer when the address of the
* command being executed matches the ENDQP. If wrap-around mode is enabled, the
* SPIF bit is set each time the QSPI cycles through the queue. If interrupts
* are enabled, assertion of the SPIF bit causes an interrupt.
    ANDI.B #$00,SPSR
* The next command defines the initial states of the chip select signals in PORTQS
* (formerly called QPDR).
* The chip selects may be active high or active low. The initial state set in
* the PORTQS is the inactive state. The active state is selected in the command RAM
* In this example, the initial state of the chip
* select lines is high, and the initial state of SCK is low. This defines the
* chip selects to be active low and SCK to be active high. The SCI TXD signal
* bit is not affected.
    MOVE.B #$7B,PORTQS
    MOVE.B #$7B,PQSPAR ;Assign all pins to the QSPI. Pins can be
    ;assigned to the QSPI or for general
    ;purpose I/O on a pin by pin basis.
    MOVE.B #$7E,DDRQS ;Select the direction of the signal lines
    ;as outputs, except for MISO.
    MOVE.W #$8002,SPCR0 ;Configure the QSPI as master, select
    ;8 data bits per transfer, set the inactive
    ;state of SCK as low, capture data on the
    ;leading edge of SCK, baud rate is 4.19 MHz
* The next command sets the control parameters. Interrupts are not enabled. To
* enable interrupts upon assertion of the SPIF bit, set SPCR2[15]. To clear
* an interrupt, read and then clear the SPIF bit. Wrap-around mode is enabled.
* NEWQP is set to zero, and ENDQP is set to $F. Thus, the QSPI will
* continuously transmit the data between $0 and $F in the queue. To disable
* wrap-around mode so that the QSPI only goes through the queue once, clear the
* WREN bit (SPCR2[14]) to a zero.
    MOVE.W #$4F00,SPCR2
    MOVE.B #$00,SPCR3 ;Disable loop mode, HALTA and MODF
    ;interrupts, and HALT.
    MOVEA.L #DATA,A0 ;Point A0 to the address of the data to be
    ;transmitted.
    MOVEA.L #TR0,A1 ;Point A1 to the transmit data RAM.
    MOVEA.L #CR0,A2 ;Point A2 to the command RAM
    MOVE.W #$10,D0 ;Set a counter to count down from 16 ($10),
    ;since there are 16 queue entries to fill.
    CLR.L D1 ;Clear D1. It will be used to fill the
    ;transmit RAM.
LOOP    MOVE.B (A0)+,D1 ;Begin a loop to fill the transmit RAM.
    MOVE.W D1,(A1)+ ;Store the data right-justified.
* The next command fills the command RAM in a right-justified manner. There is
* one byte of control information for each QSPI command to be executed in the
* queue. Here, all four chip selects will drive low during each serial transfer.
    MOVE.B #$00,(A2)+
    SUBI.W #$01,D0 ;Subtract one from the counter
    BNE LOOP ;Fill next queue entry if not done
    MOVE.W #$8000,SPCR1 ;Begin operation by setting the SPE bit.
    ;This is the last step of initialization.

FINISH
    BRA FINISH ;Normally, this would begin the next task.
```

```

INT          ;unused interrupts point here
RTE
DATA DB 16   ;Set aside memory space for the data to be
              ;transmitted. This program does not
              ;initialize the data.
    
```

## 4.4.3 Initializing QSM Interrupts

To enable interrupts on the QSM, initialize the following five fields:

1. ILPQSPI and ILSCI in the QILR register determine the priority levels of QSPI and SCI interrupts, respectively. If the fields are set to the same level, the QSPI takes priority.
2. INTV[7:0] in the QIVR register determines the interrupt vector number. For the QSPI, the least significant bit is read as a one, and for the SCI, the least significant bit is read as a zero.
3. IARB in the QSMCR register determines precedence if the QSM and another module simultaneously make an interrupt service request of the same priority. This field must be initialized to a unique, non-zero value if interrupts are enabled.
4. IPL in the CPU status register determines the priority level at which interrupts are recognized. In order for QSM interrupts to be recognized, this field must be given a value that is lower than the interrupt priority level specified in the QILR register.
5. The interrupt vector tells the processor where to find the interrupt service routine. Store the starting address of the service routine in the interrupt vector table at the appropriate vector offset address. The vector offset address is equal to (interrupt vector number X 4) + address stored in the VBR.

## 4.5 Configuring the General-Purpose Timer

The general-purpose timer (GPT) is a module on the MC68331. The MC68332 does not have a GPT. The GPT is a software-interrupt driven timer that is very similar to the timer used extensively on the M68HC11 series of microcontrollers. Because the GPT uses design rules for the M68300 family, the GPT runs four times faster on the M68300/M68HC16 families than it does on the M68HC11 family. While the GPT does reside on the intermodule bus, it does not have a self-contained arithmetic logic unit or RISC-like microengine (like the time processor unit on other modular MCUs) with specialized instruction sets. The GPT functions are briefly described below. For a more detailed explanation, refer to the *GPT Reference Manual* (GPTRM/AD).

**Input Capture Pins (IC1-IC3):** Each of these pins is associated with a single input capture function and has a dedicated 16-bit capture register to hold the captured counter value. These pins can also be configured for general-purpose I/O.

**Output Compare Pins (OC1-OC4):** Each of these pins has a dedicated 16-bit compare register and 16-bit comparator. Pins OC2, OC3, and OC4 are associated with a specific output compare function, whereas, the OC1 function can affect the output of any combination of output compare pins. Automatic preprogrammed pin actions occur on a successful match. The OC1 pin can alternately be used to output the clock selected for the timer counter register (TCNT). Also, any of the pins can be used for general-purpose I/O.

**Pulse Accumulator Input Pin (PAI):** The pulse accumulator counter (PACNT) is an 8-bit read/write up-counter register that can operate in an external event counting or gated time accumulation mode. The user software can write the number of edges to be counted to the PACNT register. As the edges are counted, the counter will approach \$FF, roll over to \$00, and generate an interrupt. The pulse accumulator overflow flag will indicate that the count has rolled over.

**Pulse-Width Modulation (PWMA, PWMB):** These are the outputs to the two PWM functions. They can be programmed to generate a periodic waveform with a variable frequency and duty cycle. Alternately, these pins can be used for general-purpose I/O. PWMA can also be used to output the clock selected as the input to the PWM counter (PWMCNT).

**Auxiliary Timer Clock Input (PCLK):** This is an external clock input dedicated to the GPT that can be used as the clock source for the capture/compare unit or the PWM unit in place of one of the prescaler outputs. If this pin is not used as a clock input, it can be used as a general-purpose input pin.



# Freescale Semiconductor, Inc.

**General-Purpose I/O:** Many of the GPT pins can be used as general-purpose I/O. All that is needed to configure a pin to general-purpose I/O is to select the data direction in the data direction register (called PDDR in older manuals and DDRGP in newer manuals) and the actual data in the data register (called PDR in older manuals and PORTGP in newer manuals). Take special care when writing data to the data register, since a read of this register returns the actual pin state and not the data just written to it. Beware of the following scenario:

The current value of PORTGP is \$FF. The user software wishes to clear bit 0 and then OR this bit with a value in another register, which also happens to be zero. Thus, the end result should be \$FE. To accomplish this, the software does a BCLR instruction immediately followed by an OR instruction. However, there is a good probability that after the BCLR instruction, the pin state will not have changed by the time the CPU reads PORTGP again for the OR instruction. Thus, the CPU could read the value \$FF from PORTGP instead of \$FE and end up with the wrong result. To avoid this scenario, put a NOP or a different instruction between two read-modify-write instructions involving the PORTGP register.

## 4.5.1 GPT Interrupts

Several steps must be followed in order for a GPT channel to request interrupt service.

1. Store the starting address of the interrupt service routine in the CPU interrupt vector table.
  - A. The location in the vector table where the service routine starting address is stored is called the vector address. The vector address is calculated from the interrupt vector number — the address is two times the vector number.
  - B. The interrupt vector number is formed by concatenating a base vector number with the vector number given in Table 7-1 on page 7-3 in the *GPT Reference Manual* (GPTRM/AD). As shown in Table 7-1, each timer channel has a separate vector number. Choose a base vector number and write it to bits seven through four in the GPT interrupt configuration register (ICR). For example, choosing a base vector number of \$81 would assign interrupt vector \$80 to input capture 1, interrupt vector \$82 to input capture 2, interrupt vector \$83 to input capture 3, and so on, through assignment of interrupt vector \$8B to pulse accumulator input flag.

For example, if output compare 1 is being set up to request interrupt service, the interrupt vector is \$84. The vector address is:

$$2 * \$84 = \$108$$

Thus, the starting address of the interrupt routine must be stored in location \$108.

2. Store an interrupt priority level for the GPT in bits ten through eight of the ICR.

This value determines the priority of GPT interrupt service requests. The value must be a number between one and seven — level seven has the highest priority, and level one has the lowest. The value stored in the IPL field in the CPU status register determines whether an interrupt request is recognized. The value in the IPL field must be lower than the GPT interrupt priority level in order for the GPT to interrupt the CPU, unless the interrupt level is seven, in which case it cannot be masked.
3. If desired, specify which interrupt source within the GPT has the highest priority by writing to bits 15–12 of the ICR.

This value determines which interrupt source within the GPT has the highest priority. As Table 7-1 on page 7-3 in the *GPT Reference Manual* (GPTRM/AD) shows, each interrupt source within the GPT is pre-assigned a priority. However, the user can pick one of those sources to have the highest priority. For example, if a \$4 is written to bits 15–12 of the ICR, then OC1 will have the highest priority. When OC1 generates an interrupt, the low nibble of the vector will be \$0 instead of \$4. The remaining channels maintain their original relative priority and vector addresses.
4. Store an interrupt arbitration value in the IARB field of the GPT module configuration register.

The IARB field value determines precedence when the CPU receives more than one interrupt request of the same interrupt priority level. Each interrupting module must be assigned a unique IARB number between \$01 (lowest precedence) and \$0F (highest precedence).

- Set the interrupt enable bit for the channel in the timer interrupt mask register (TMSK1/2). This simply involves writing the channel's bit number to a one.

To clear an interrupt, negate the appropriate interrupt status flag in the timer interrupt flag registers (TFLG1/TFLG2). Read the flag in the asserted state and then write a zero to the bit. As long as the interrupt status flag is set, the channel will continue to request interrupts.

## 4.5.2 GPT Initialization Example

The following example uses all five output compare channels. In this example, OC1 controls the OC1, OC2, and OC3 pins. OC4 and OC5 operate independently. The period of OC1– OC3 is \$200 TCNTs. The period of OC4 is \$400, and the period of OC5 is \$800. The frequency of TCNT is the system clock divided by four. Therefore, for a 16.778 MHz system clock, each TCNT tick is 238 ns long. Thus, the period of OC1– OC3 is approximately 122 μs, and the periods of OC4 and OC5 are approximately 244μs and 488 μs, respectively.

This example is in the file “gpt\_init.asm” in the archive “331\_2ini.zip” on the Freeware Data System.

```
#SIZING_ON
    INCLUDE 'EQU331.ASM'      ;table of EQUates for common register addresses
    INCLUDE 'INIT_RES.ASM'   ;initialize reset vector
    INCLUDE 'INIT_INT.ASM'   ;initialize interrupt vectors
    ORG      $400             ;begin program at $400, immediately after
                                ;the exception table

    CLR.L    D0
    MOVEC   D0,VBR           ;make sure that VBR is initialized to zero
                                ;it is initialized to 0 out of reset

INITSYS:
    MOVE.B  #$7F,SYNCR      ;set system clock to 16.78 MHz
    CLR.B   SYPCR           ;disable software watchdog

INIT_GPT:
    MOVE.W  #$FF00,DDRGP    ;make all GPT pins outputs, low at start
    CLR.W   PACTL          ;set I4/O5 pins to output compare
                                ;(this is the default value)
    MOVE.W  #$3800,OC1M     ;set up value for OC1M/OC1D: OC1 controls
                                ;OC1-3, data = 0 at match

* TOC1 works differently than the other four OC channels because it can
* control all five OC channels. Here, it is configured to affect only the
* OC1 - OC3 channels. OC1 does not have the ability to toggle on a match.
    MOVE.W  TCNT,D0         ;add offset to TCNT for delay before
    ADDI.W  #$200,D0        ;first compare
    MOVE.W  D0,TOC1        ;store TCNT + Offset into TOC1
    MOVE.W  D0,TOC4        ;store TCNT + Offset into TOC4
    MOVE.W  D0,TOC5        ;store TCNT + Offset into TOC5

* All of the OC channels are initialized with the same value so that
* the 5 square waves will be phase locked. Different offsets could be used
* for each channel. This would simply skew the square waves with respect
* to each other; they would still be frequency locked.
    MOVE.W  #$5000,TCTL1   ;OC 4 and 5 will toggle on compare

INIT_INTS:
    MOVE.L  #OC1_INT,$210   ;Store interrupt routine addresses
    MOVE.L  #OC4_INT,$21C   ;in the vector table (Note: this could
    MOVE.L  #OC5_INT,$220   ;be done in the file "init_int.asm".)
    MOVE.W  #$0085,GPTMCR   ;set SUPV = 1, IARB = 5
    MOVE.W  #$0680,ICR      ;GPT priority = 6, base vector = $80
    MOVE.W  #$C800,TMSK1   ;TCNT is Sys Clk Div 4 (reset value)
    ANDI.W  #$FOFF,SR      ;mask interrupts below level 6
    ORI.W   #$0500,SR

WAI_FOR_INT:
    BRA     WAI_FOR_INT     ;normally, this would go on to the next
                                ;program task

* Each time that a match occurs between OC4 or OC5 and the Timer
* Counter (TCNT), the respective OC channel will toggle. If the software
* driver for the OC channel does not service an OC flag for some reason,
* a match will occur each 65,535 TCNT counts. OC1 is a special case. When
* it matches with TCNT, it will drive pins OC1-3 to the level written to
* the respective bits in the OC1D register.
* Following are the interrupt routines. In each one, a new future value
* is written into the appropriate TOC register.
OC5_INT:
    ADDI.W  #$400,TOC5     ;interrupt routine for OC5
                                ;add #$400 to value in OC5 register
```

```

ANDI.W  #7FFF,TFLG1    ;clear I405 flag
RTE
OC4_INT:
ADDI.W  #200,TOC4      ;add #200 to value in OC4 register
ANDI.W  #BFFF,TFLG1    ;clear TOC4 flag
RTE
OC1_INT:
TST.B   OC1D           ;interrupt routine for OC1
BNE     DRIVE_PINS_LO  ;branch if pins are high
ORI.W   #0038,OC1M     ;set OC1-3 to go high at next match
BRA     GET_TOC1
DRIVE_PINS_LO:
ANDI.W  #FFC7,OC1M     ;set OC1-3 to go low at next match
GET_TOC1:
ADDI.W  #100,TOC1      ;add #100 to value in OC1 register
ANDI.W  #F7FF,TFLG1    ;clear TOC1 flag
INT:
RTE           ;unused interrupts point here
    
```

## 4.6 Configuring the Time Processor Unit

The time processor unit (TPU) is a module on the MC68332. The MC68331 does not have a TPU. The TPU is an intelligent, semi-autonomous timer that has 16 independently-programmable channels. The TPU can run pre-programmed timing functions stored in an internal ROM, or it can run custom functions. Currently, there are two versions of the TPU, differentiated by the type of pre-programmed functions in ROM. The version designated MC68332A has an automotive function set, while the version designated MC68332G has a motion control function set. **Table 7** lists the functions in each version. Pages A-2 and A-3 in the *TPU Reference Manual* (TPURM/AD) show all of the function numbers and other necessary encodings for each version of the TPU. For more detailed information on how to use each individual TPU function, order the *TPU Literature Pak* (TPULITPAK/D) from Literature Distribution.

**Table 7 Functions Included in TPU Mask Sets**

MASK A <sup>1</sup>	MASK G <sup>1</sup>
Period/Pulse-Width Accumulator (PPWA)	Programmable Time Accumulator (PTA)
Output Compare (OC)	Queued Output Match (QOM)
Stepper Motor (SM)	Table Stepper Motor (TSM)
Position-Synchronized Pulse Generator (PSP)	Frequency Measurement (FQM)
Period Measurement with Additional/Missing Tooth Detection (PMA)	Universal Asynchronous Receiver/Transmitter (UART)
Input Capture/Input Transition Counter (ITC)	New Input Transition Counter (NITC)
Pulse Width Modulation (PWM)	Multichannel PWM (MCPWM)
Discrete Input/Output (DIO)	Hall Effect Decoder (HALLD)
Synchronized Pulse-Width Generation (SPWM)	Commutation TPU Function (COMM)
Quadrature Decode (QDEC)	Fast Quadrature Decode (FQD)

Notes:

- Older versions of the MC68332 that are not designated by an "A" or "G" have the automotive mask set without the quadrature decode function. Otherwise, the functions in the older version are identical to those in the MC68332A. Code written for the old version will work on the new version.

All versions of the TPU can also run custom functions. However, the internal SRAM is not available for other purposes when the TPU runs custom functions. There are two ways to run custom functions:

- Choose between any of the available functions (A mask, G mask, and custom functions are available on Freeware Data Systems). See *Using the TPU Function Library and TPU Emulation Mode* (TPUPN00/D) for more information.
- Write custom functions. Freescale sells a TPU assembler called M68STPUMASMAB. Unlike the public domain version available via Freeware Data Systems, the commercial product contains documentation and is fully supported. To assist with debugging, a TPU simulator is available from Ashware—call (520) 544-0504.

## 4.6.1 Control Registers

The TPU has several control registers that are shared by all 16 channels. Some of these registers, such as the channel interrupt enable register and channel interrupt status register, are not always used. However, the TPU module configuration register, the channel function select registers, the host sequence registers, the host service request registers, and the channel priority registers should always be initialized. With the exception of the channel interrupt status register, all writes to the TPU registers must be word-length operations. If a byte write is attempted, the value \$FF will be written to the other half of the register.

### 4.6.1.1 The TPU Module Configuration Register

The TPU module configuration register (TPUMCR) determines important operating characteristics, such as prescaler values for timer count registers TCR1 and TCR2, and the interrupt arbitration number. It also determines whether TPU registers reside in supervisor space or in user space. The TPUMCR itself resides in supervisor space. See 4.1 **Configuring the Central Processing Unit** for more information concerning user and supervisor space.

### 4.6.1.2 Channel Function Select Registers

Channel function select registers (CFSR[1:3]) contain the function numbers assigned to each individual channel. These function numbers are mask-set dependent because they are determined by the microcode assembly.

### 4.6.1.3 Host Sequence Registers

Host sequence registers (HSQR0 and HSQR1) contain the host sequence bits for the function running on a particular channel. The host sequence bits determine the mode of a particular function. Host sequence bit encoding for each function is determined by microcode, and differs from function to function. For example, host sequence bits for a function that counts input transitions could determine whether the function operates in single-shot mode or continuous mode.

### 4.6.1.4 Host Service Request Registers

Host service request registers (HSRR0 and HSRR1) contain the service request bits for each channel. The service request bits ask the TPU microengine to perform a particular service on the associated channel. Usually, the first service request is for initialization. Another common service request is for an immediate update.

Like host sequence bits, host service bit encoding for each function is determined by microcode, and differs from function to function. However, the host service bits are different from other control bits because, while the CPU can set the service bits, only the TPU can clear them. In fact, the TPU tells the CPU that it has serviced a channel the first time by clearing the host service request bits. An HSRR should not be written unless all of the other parameters and control bits are initialized or the associated channel is disabled (via the channel priority register) *and* the host service bits are cleared. The CPU program must wait until a previous service request has been cleared before issuing a new service request.

To make a host service request, follow one of the following scenarios.

1. To initialize a channel out of reset, first initialize the parameter RAM and other control registers, then make the host service request for initialization. The final step is to enable the channel via the channel priority register.
2. To change the function operating on a particular channel, first disable the channel using the channel priority register, then follow the same steps as for initialization out of reset.
3. To make a host service request other than that for initialization, do not disable the channel. Instead, wait for the TPU to clear the previous host service request. Then, issue a new request. Usually this is for an immediate update or to force an output state on a particular pin.

To initialize two or more channels that share a host service request register, either write all the fields in the register at the same time or disable all channels via the channel priority registers, write to the host service request register, then enable each channel as needed via the channel priority registers. This ensures that

# Freescale Semiconductor, Inc.

conflicts do not occur within the host service request registers. If the channels are running, and cannot be disabled, write the host service request field for the first channel, then poll those bits until the TPU clears them. Then, write the host service request field for the second channel, wait until the TPU clears it, and so on.

## 4.6.1.5 Channel Priority Registers

The channel priority registers determine how often each channel is serviced. There are three priority levels: high, medium, and low. If the priority bits are set to zero, then a channel is disabled, and the TPU microengine will not service it.

## 4.6.2 Parameter RAM Registers

Each channel has a dedicated set of word-long registers (called parameters) in the parameter RAM. TPU channels zero–13 have five parameters, and channels 14 and 15 have seven parameters. The CPU and the TPU communicate through the parameter RAM. The meaning of each location in the parameter RAM is defined by the microcode for a particular function. All writes to the TPU parameter RAM registers must be word-length operations. If a byte write is attempted, the value \$FF will be written to the other half of the register.

In the TPU manual, addresses in parameter RAM for channels zero to 13 are defined as \$YFFFW0, \$YFFFW2, \$YFFFW6, \$YFFFW8, and \$YFFFWA. Channels 14 and 15 have the additional parameters \$YFFFWC and \$YFFWE. The “Y” is either an F or a seven, depending on the “MM” bit in the SIM module configuration register. Out of reset, the “Y” is an F. The “W” is the channel number. The last number is the location of the channel parameters. For example, out of reset, the first parameter for TPU channel 10 is located at \$FFFA0.

TPULITPAK/D contains programming notes for all the A and G mask functions. See the programming note that pertains to a particular function for a parameter diagram, field encodings, and a description of the options that are available.

### 4.6.2.1 The Channel Control Register

The channel control register (CCR) is a parameter that is common to most functions. It is nine bits long, and it is usually the first parameter. The CCR allows the CPU to pass information concerning channel configuration to the TPU. The microcode for a particular function determines the meaning of data in the CCR. The function may or may not use all of the information, because the microcode can configure the channel without help from the CPU. Usually, the TPU overwrites the CCR after initialization and uses the space for a TPU-controlled parameter.

In general, the channel control register consists of three fields:

1. The time base select (TBS) field determines which timer count register (TCR) the channel uses. The channel can match and capture TCR1 and TCR2. The TPU is also capable of matching one TCR and capturing the other.
2. The pin action control (PAC) field has two basic functions. For an output channel, the PAC field determines what type of transition the pin will make when a match occurs. For an input channel, the PAC field determines what type of transition the pin will detect.
3. The pin state control (PSC) field determines initial pin state immediately after a host service request.

See the programming note that pertains to a particular function for specific information about the channel control field.

### 4.6.3 TPU Interrupts

Several steps must be followed in order for a TPU channel to request interrupt service.

1. Store the starting address of the interrupt service routine in the CPU interrupt vector table.

## Freescale Semiconductor, Inc.

The location in the vector table where the service routine starting address is stored is called the vector address. The vector address is calculated from the interrupt vector number — it is four times the vector number plus the value in the vector base register.

The interrupt vector number is formed by concatenating a base vector number with the channel number. Choose a base vector number and write it to bits seven through four in the TPU interrupt configuration register (TICR). For example, choosing a base vector number of \$80 would assign interrupt vector \$80 to channel zero, interrupt vector \$81 to channel one, interrupt vector \$82 to Channel two, and so on, through assignment of interrupt vector \$8F to channel 15.

For example, if channel four is being set up to request interrupt service, the interrupt vector is \$84. Assuming the vector base register holds a value of zero, the vector address is:

$$4 * \$84 + \$00 = \$210$$

Thus, the starting address of the interrupt routine must be stored in location \$210.

2. Store an interrupt priority level for the TPU in bits ten through eight of the TICR.

This value determines the priority of TPU interrupt service requests. The value must be a number between one and seven — level seven has the highest priority, and level one has the lowest. The value stored in the IPL field in the CPU status register determines whether an interrupt request is recognized. The value in the IPL field must be lower than the TPU interrupt priority level in order for the TPU to interrupt the CPU, unless the interrupt level is seven, in which case it cannot be masked.

3. Store an interrupt arbitration value in the IARB field of the TPU module configuration register.

The IARB field value determines precedence when the CPU receives more than one interrupt request of the same interrupt priority level. Each interrupting module must be assigned a unique IARB number between \$01 (lowest precedence) and \$0F (highest precedence).

4. Set the interrupt enable bit for the channel in the channel interrupt enable register (CIER). This simply involves writing the channel's bit number to a one.

To clear an interrupt, negate the appropriate interrupt status flag in the channel interrupt status register (CISR). Read the flag in the asserted state and then write a zero to the bit. As long as the CISR bit is set, the channel will continue to request interrupts.

### 4.6.4 TPU Initialization Examples

The following example initializes channel zero to run the PWM function. The output of channel zero will be a 50% duty cycle square wave. The frequency will be  $(\text{SYSCLK}/4)/\$4000$ . For 16.778 MHz, this is  $(4194500/16384) = 256$  Hz. It assumes that the “MM” bit in the SIMCR is set to one. The PWM function generates an interrupt on each rising edge. The interrupt routine increments data register D0 at each interrupt.

This example is in the file “tpuinit.asm” in the archive “331\_2ini.zip” on the Freeware Data System. It can be assembled with the IASM32 assembler.

```
#SIZING_ON
INCLUDE      'equ332.asm'      ;include equates
INCLUDE      'init_res.asm'    ;include reset vector
INCLUDE      'init_int.asm'    ;include interrupt vectors
ORG          $400              ;begin program at $400, immediately after
                                ;the exception table

INITSYS:
CLR.L        D0
MOVEC        D0,VBR           ;make sure that VBR is initialized to zero
                                ;it is initialized to 0 out of reset

MOVE.B       #$7F,SYNCR      ;set system clock to 16.78 MHz
CLR.B        SYPCR           ;disable software watchdog

CNTLREG:
MOVE.W       #$0009,CFSR3    ;channel function select field. Note:
```

# Freescale Semiconductor, Inc.

```
                                ;function numbers may vary with different
                                ;mask sets.
MOVE.W                          #$00C5,TPUMCR      ;set TCR1 to SYSCLK/4. At 16.778 MHz, this
                                ;means that 1 TCR1 count = 238ns.
PRAMINIT:                       MOVE.W             #$0000,HSQR1      ;HSQ bits = 0 for PWM function
                                MOVE.W             #$0092,PRAM       ;Channel Control Reg: Force pin low at
                                ;initialization, use TCR1
                                MOVE.W             #$2000,PRAM+4     ;High time = $2000 TCR1 counts
                                MOVE.W             #$4000,PRAM+6     ;Period = $4000 TCR1 counts
INIT_INTS:                       MOVE.L           #CH0_INT,$0200    ;store starting addr of interrupt routine
                                ;at location $200 ($80 X 4).Assume VBR = 0.
                                MOVE.W             #$0680,TICR       ;interrupt level 6, vector $80
                                ANDI.W            #$F0FF,SR         ;mask interrupts below level 6
                                ORI.W             #$0500,SR         ;enable interrupts on channel 0
START:                            ORI.W             #$0001,CIER
                                MOVE.W             #$0002,HSRR1     ;Host service request for initialization
                                MOVE.W             #$0003,CPR1     ;Give channel high priority
DONE                               BRA              DONE
CH0_INT:                          ANDI.W            #$FFFE,CISR     ;clear interrupt request
                                ADDI.W            #$01,D0          ;code in routine
INT:                               RTE                          ;unused exceptions point here
```

# Freescale Semiconductor, Inc.

## 5 TROUBLESHOOTING

Because of the complexity of the MCU, there are a considerable number of potential 'fatal flaws' that can cause a prototype application to either not operate from power up, or to fail soon after. This section covers common problems, causes, and fixes. This is not an exhaustive discussion, but is intended to be used as a check list of the main problem areas that can cause an application to fail.

### 5.1 Critical Signals to Check

- $\overline{\text{RESET}}$  should stay low for at least 512 clocks during a power-on reset. If using the internal PLL,  $\overline{\text{RESET}}$  will remain low for a little longer because the VCO must lock first.  $\overline{\text{RESET}}$  should then go high and remain high.
- CLKOUT should be at the system clock frequency. If MODCLK is held high at the release of reset, CLKOUT should be 512 times the frequency going into EXTAL (8.389 MHz for a 32.768 kHz crystal). Make sure that the frequency is exact, as a measurable error may indicate limp mode and oscillator faults. If MODCLK is held low at the release of reset, the frequency on CLKOUT should be the frequency going into EXTAL.
- Immediately after reset,  $\overline{\text{CSBOOT}}$  should pulse low five times for a 16-bit port and nine times for an 8-bit port.
- FREEZE should be low and  $\overline{\text{HALT}}$  should be high. Otherwise, the MCU is halted, or is in BDM.
- $\overline{\text{BR}}$  and  $\overline{\text{BGACK}}$  should be high. Otherwise, the external bus is granted away.
- Make sure that the data bus pins are configured correctly during reset.
- Make sure that  $\overline{\text{IRQ7}}$  is high during reset.

### 5.2 Common Problems and Solutions

#### 5.2.1 Problem: Device Stays in Reset

1. There is no pull-up resistor on  $\overline{\text{RESET}}$ .  $\overline{\text{RESET}}$  needs an 820  $\Omega$  resistor to 5 volts. See **2.1 Using Data Bus Pins to Configure the MCU** and **2.3 Pins that Need Pull-Up Resistors**.
2. A capacitor on  $\overline{\text{RESET}}$  can also prevent the device from coming out of reset. Do not put any capacitors on  $\overline{\text{RESET}}$ . See **2.1 Using Data Bus Pins to Configure the MCU** and **2.3 Pins that Need Pull-Up Resistors**.
3. MODCLK is pulled high at the release of  $\overline{\text{RESET}}$ , and the VCO is not locking. Check the components in the crystal circuit to ensure that they are correct. Check the layout to ensure that the board is clean and that there are no noisy signals nearby to affect operation of the oscillator, and make sure that power is applied to  $V_{\text{DDSYN}}$ . Also, make sure that the crystal frequency is within specifications. If all else fails, change crystals. See **2.5 Clock Circuitry**.
4. MODCLK is pulled low at the release of  $\overline{\text{RESET}}$ , and there is no external clock signal. Make sure that there is a signal going into EXTAL. See **2.5 Clock Circuitry**.

#### 5.2.2 Problem: Device Resets Every 16 ms

1. The software watchdog is enabled but is not being serviced by the program. When the watchdog is enabled, the program must write a sequence to the software service register to prevent the watchdog from timing out and resetting the MCU. The software watchdog is enabled out of reset, and the program must disable it by clearing the SWE bit in the SYPCR register. Note that this is a write-once-only register.
2. If the code does disable the watchdog, but the device is still resetting every 16 ms, then the code is probably not being executed. Either the memory is not programmed properly, or something is preventing the MCU from executing code. Check all pull-up resistors for good connections and correct values. Also check the frequency of CLKOUT.

##### 5.2.2.1 Problem: CLKOUT Frequency Drifts at Higher Temperatures

If using the PLL, and the CLKOUT signal is fine at room temperature but begins to become unstable or drift at about 60 – 70 degrees Celsius, make sure that the VCO is not operating over the maximum frequency specification. See **4.2.2 Clock Synthesizer Control Register (SYNCR)** for further explanation.



## 5.2.3 Problem: CLKOUT Frequency is Incorrect

1. MODCLK is not driven correctly during reset. To use a crystal and the internal PLL, MODCLK must be driven high during reset. To use an external clock and bypass the internal PLL, MODCLK must be driven low during reset.
2. The crystal is settling into overtones due to a poor quality crystal or incorrect components in the crystal circuit.
3. If the frequency is unstable, it is possible that the crystal is being overdriven. Increase  $R_s$  to reduce crystal drive.
4. There is residue on the PCB. Since low frequency crystal circuits tend to be very high impedance, the PCB must be clean, dry, and free of conductive material such as solder rosin and excessive moisture from high humidity.
5. In the absence of other circuit problems, the series resistor is the most probable culprit when an oscillator will not start. The resistor limits the power that starts the crystal oscillating. If the resistance is too low, the crystal will start oscillating in unpredictable modes and could even become damaged. If the resistance is too high, the oscillator will start very slowly or not at all.
6. If the value of the series resistor is correct, check for the presence of metastable states during power-up. If there is extremely high frequency oscillation on the CLKOUT pin during the first few hundred milliseconds of operation, and increasing the size of  $R_s$  does not fix the problem, the only real solution is to find a different brand and/or style of crystal. There is no practical way to compensate for a crystal that exhibits poor self-suppression of the first overtone and first harmonic. Once again, if a particular crystal type and brand is prone to starting at overtones or harmonics, just don't use it. No amount of circuit design will ever compensate for a bad or poor quality crystal.

Usually, it is impossible to observe oscillator operation with an oscilloscope connected to one of the oscillator pins. The oscilloscope adds 3–30 pF and 1–10 M $\Omega$  of loading to  $V_{SS}$ , which will usually affect oscillator operation. When the oscilloscope is connected to the EXTAL input, the 10 M $\Omega$  to  $V_{SS}$  (oscilloscope input) forms a resistive divider with  $R_f$  and often disables the oscillator by biasing the circuit out of the linear region of the EXTAL input. This problem can sometimes be overcome by capacitively coupling the oscilloscope with a very small capacitor (1–5 pF) between the oscilloscope probe and the oscillator pin.

It is better to observe the CLKOUT signal, since this does not alter the operation of the oscillator. It may be possible to observe XTAL since it is isolated from rest of oscillator by  $R_s$ . Observe  $I_{DD}$  without oscilloscope connected and again with it connected. If  $I_{DD}$  is unchanged, it is usually safe to assume the oscillator was unaffected. For additional information, see **2.5 Clock Circuitry**.

## 5.2.4 Problem: System Crashes after Fetching Reset Vector

1. Incorrect reset configuration of boot memory width is causing the address bus to increment by the wrong amount during fetches of the reset vectors. Check DATA0 to make sure that it is being driven to the correct state during reset. If  $\overline{CSBOOT}$  is a 16-bit port, drive DATA0 high during reset; if it is an 8-bit port, drive DATA0 low. See **2.1 Using Data Bus Pins to Configure the MCU**.
2. An  $\overline{IRQ7}$  interrupt is received during or immediately after reset. The MCU will recognize the interrupt after fetching the reset information and first instruction. In a typical system that is booting out of ROM, stack RAM will not be enabled at this point, and the first bus cycle to write the stack frame will hang the MCU. Make sure that the  $\overline{IRQ}[7:1]$  lines are either pulled up through resistors to 5 volts or configure the pins as PORTF I/O lines by pulling DATA9 low during reset. Also, start-up software should enable the stack RAM (by configuring the appropriate chip-select circuits) before enabling the interrupt lines (by writing to the PFPAR register). This problem is likely to be intermittent, as it would only occur if an  $\overline{IRQ7}$  interrupt is received in the short time before system initialization. See **2.1 Using Data Bus Pins to Configure the MCU**.
3. An interrupt is received, and the interrupt vectors have not been initialized. Make sure that the interrupt vectors are initialized. See **4.1.3.2 Initializing Exception Vectors Other than Reset**.
4. The  $\overline{BR}$  or BGACK pin has floated low and the CPU has relinquished control of the bus. Configure these pins for chip-select operation out of reset by pulling DATA1 high during reset, or put pull-up resistors on these pins.
5. Some of the pins are being powered up before  $V_{DD}$ . If the MCU is connected to another system with a separate power supply, use an LVI device to prevent the system with the faster power supply from driving logic one level before the system with the slower power supply has become operational. If this

happens, the driven pins on the device with the slow supply will momentarily have a higher voltage than the  $V_{DD}$  pin. This condition can cause the input protection diodes to become momentarily forward biased and cause significant current injection into the device substrate, which will probably improperly charge or discharge some of the internal nodes of the MCU. This action is completely random, and it is impossible to predict what will happen when significant injection occurs. Usually, the MCU will not function at all and will display undefined states. For example, the  $\overline{\text{RESET}}$ ,  $\overline{\text{HALT}}$ ,  $\overline{\text{BERR}}$ ,  $\overline{\text{BR}}$  and  $\overline{\text{FREEZE}}$  signals may be asserted but the device may fail to fetch opcodes. See **2.7 Power Supply**.

## 5.2.5 Problem: Debug System Cannot Enter BDM

1.  $\overline{\text{BKPT}}$  is not held low at the release of  $\overline{\text{RESET}}$ . Holding  $\overline{\text{BKPT}}$  low at the release of  $\overline{\text{RESET}}$  enables BDM, and driving it low after reset causes the processor to enter BDM. The debugger should take care of this.
2. The memory is uninitialized, and the processor is trying to access bad addresses. In this case, most debuggers should drive  $\overline{\text{BERR}}$  to terminate the bus cycle. If the debugger does not do this, either write valid addresses to the reset vectors or, if this is not possible, manually pulse  $\overline{\text{BERR}}$  low to terminate a hung bus cycle.

## 5.2.6 Problem: The Processor Takes a Spurious Interrupt Exception

1. The interrupt arbitration (IARB) field for the module requesting interrupt service is not a unique, non-zero value. Each internal module has its own IARB field. External interrupts use the IARB field in the SIMCR interrupts.
2. There are noise spikes on an  $\overline{\text{IRQ}}$  line. Use pull-up resistors on the  $\overline{\text{IRQ}}$  lines.
3. A square wave is used to generate external interrupts, and the source of the interrupt is going away before the interrupt is acknowledged.
4. The program code is disabling an internal module or is using the BCLR instruction to arbitrarily clear interrupt enable bits for an internal module before the interrupt is acknowledged. Instead of arbitrarily clearing the enable bits, first mask out the interrupt level by writing to the IPL field in the CPU status register. For example, if a level three interrupt is to be masked, set the IPL field to three or higher. Then, disable the enable bit for the specific interrupt.
5. An internal module is initialized improperly in such a way that the module cannot respond with an internal  $\overline{\text{DSACK}}$  even when that module is the one asserting the interrupt.
6. The  $\overline{\text{IACK}}$  cycle is terminated by  $\overline{\text{BERR}}$  instead of  $\overline{\text{DSACK}}$  or  $\overline{\text{AVEC}}$ . The assertion of  $\overline{\text{BERR}}$  causes the spurious interrupt vector (vector number 24) to be taken. A spurious interrupt will be taken in the following three situations:
  - A. The CPU recognizes the occurrence of a valid interrupt request and begins the IACK cycle. If none of the modules enter arbitration by asserting an IARB field value, the spurious interrupt monitor asserts  $\overline{\text{BERR}}$  internally.
  - B. After arbitration, the interrupt source that wins arbitration does not terminate the IACK cycle with  $\overline{\text{DSACK}}$  or  $\overline{\text{AVEC}}$ . In this case, the bus monitor asserts the internal  $\overline{\text{BERR}}$  signal.
  - C. An external device terminates the IACK cycle by asserting  $\overline{\text{BERR}}$ .

An interrupt request signal *must* remain asserted from the time it first occurs until the end of the IACK cycle. The most common cause of spurious interrupts is a periodic signal, such as a square wave, connected to an external interrupt request line. Other signals, such as the output of a shaft decoder, will also cause spurious interrupts. Latch periodic or intermittent signals by means of an external circuit, and clear the latch in the interrupt service routine.

## 5.2.7 Problem: The Processor Asserts $\overline{\text{HALT}}$ and Halts

A double bus fault has occurred, and the halt monitor (previously called the double bus fault monitor) is not enabled. A double bus fault can occur under the following conditions.

1. When bus error exception processing begins, and a second bus error is detected before the first instruction of the first exception handler is executed.
2. When one or more bus errors occur before the first instruction after a reset is executed.

- When a bus error occurs while the CPU is loading information from a bus error stack frame during execution of a return from exception (RTE) instruction.

After the double bus fault occurs, the MCU drives the  $\overline{\text{HALT}}$  line low and can only be restarted by a reset. When the  $\overline{\text{HALT}}$  line is driven low internally, the double bus fault monitor will immediately cause a reset if it is enabled. If the double bus fault monitor has been disabled by clearing the HME bit in the system protection control register (SYPCR), the MCU will remain halted indefinitely and must be reset externally.

## 5.2.8 Problem: A Chip-Select Generates the Wrong Number of Wait States

- Either  $\overline{\text{DSACK1}}$  or  $\overline{\text{DSACK0}}$  has floated low. These signals should be tied high via a pull-up resistor or be configured as I/O pins. The  $\overline{\text{DSACK}}$  pins, along with other bus control signals, are configured as I/O pins by driving DATA8 low during reset or by programming the appropriate CSPAR bits.
- Multiple chip-selects with different wait states are responding to the same address (it does not matter whether the chip-select pins are connected to anything). Whether or not multiple chip-selects respond to the same address is determined by both the base address and the block size in the associated chip-select base address register (CSBAR).
- The MCU sees only base addresses that lie on a word boundary of the block size. It will interpret each base address as an address that is on a word boundary. This will cause an incorrectly programmed chip-select circuit to match on an unexpected address. An example of how to determine if chip-select circuits are programmed correctly is shown below.
  - On a sheet of paper, make a table with four columns as shown in **Table 8**. Initialize the base address and option registers, then look at all of the base address and option registers. Fill in the appropriate cell in the table with the value in the corresponding option register and base address register. In addition, fill in the BLKSZ cell with the block size indicated by the last three bits of the base address register. **Table 9** shows block size values.
  - Compare the base address register values to see if any overlap. In addition to checking the actual values in the registers, check the block sizes and thus the number of address lines compared. Since the MCU does not look at all 24 address lines when it compares for a match, two chip-select circuits can respond to the same base address, even though the base address registers contain different values.

**Table 8 Sample Chip-Select Values**

CS	CSBARx	CSORx	BLKSZ
$\overline{\text{CSBOOT}}$	\$0003	\$68B0	64K
$\overline{\text{CS0}}$	\$0504	\$58FE	128K
$\overline{\text{CS1}}$	\$1002	\$5830	16K
.	.	.	.
.	.	.	.
$\overline{\text{CS10}}$	\$0400	\$4F3E	2K

**Table 9 Block Size Encodings for Chip-Selects**

BLKSZ[2:0]	Block Size	Address Lines Compared
000	2 Kbyte	ADDR[23:11]
001	8 Kbyte	ADDR[23:13]
010	16 Kbyte	ADDR[23:14]
011	64 Kbyte	ADDR[23:16]
100	128 Kbyte	ADDR[23:17]
101	256 Kbyte	ADDR[23:18]
110	512 Kbyte	ADDR[23:19]
111	1 Mbyte	ADDR[23:20]

## Freescale Semiconductor, Inc.

In **Table 8** the addresses for  $\overline{CS0}$  and  $\overline{CS10}$  conflict. Both will respond to the address \$40000.  $\overline{CS0}$  is programmed to start at \$50000; however, it is programmed incorrectly. It does not lie on an even boundary of 128 Kbytes (remember that 1 Kbyte = 1024 bytes). As shown in **Table 9**, only address lines 23 through 17 are compared for a block size of 128 Kbytes. The address decoding process works as follows.

CSBAR0: \$0504 = base address of \$50000 and block size of 128K.

$$\begin{array}{cccccccccccc} & 23 & 20 & 19 & 16 & 15 & 12 & 11 & 8 & 7 & 4 & 3 & 0 \\ \$5000 = & 0000 & & 0101 & & 0000 & & 0000 & & 0000 & & 0000 & & 0000 \end{array}$$

For a 128 Kbyte block size, address lines 16 – zero are decoded as zero. As a result, bits 19–16 are read as a four instead of a five, and  $\overline{CS0}$  responds to the address space starting at location \$40000. However,  $\overline{CS10}$  is also programmed to respond to the address space starting at location \$40000. It is acceptable for two chip-select circuits to respond to the same address space; however, in this case, the option registers are programmed for a different number of wait states. As a result, the first termination signal seen will be from  $\overline{CS0}$  after 3 wait states on any read or write access, possibly before the external device is ready to respond, especially if it was meant to have  $\overline{CS10}$  terminate the cycle after 12 wait states.

To correct the problem, the values in CSBAR0 and/or CSBAR10 must be changed. If the value in CSBAR0 is changed to \$0404, and the value in CSBAR10 is changed to a base address that does not overlap, such as \$0300, then \$40000 is an acceptable base address for  $\overline{CS0}$ , since it is an exact multiple of 128 Kbytes. That is:

$$1K = \$400$$

$$128K = \$20000$$

$$\$40000/\$20000 = 2 = \text{an integer}$$

Therefore, \$40000 is on a 128 Kbyte boundary

### 5.2.8.1 Problem: The QSPI Pins do not Output the Desired Levels

All QSPI pins are also controlled by the data register and data direction register associated with the QSM even if the pins are configured for QSPI operation in the pin assignment register. Whenever the QSPI is not active, control of these pins reverts to these registers. Thus, always initialize the data register and data direction register with the desired inactive states of the QSPI pins. See **4.4.2 Configuring the QSPI** for more information.

## 6 SOURCES OF INFORMATION

### 6.1 Technical Literature

All Freescale literature can be ordered by mail from Freescale Literature Distribution Centers (shown on the back page of this publication) or through local sales offices. For U.S. and European literature orders, call (800) 441-2447. Freescale publication *Advanced Microcontroller Technical Literature* (BR1116/D), includes a complete listing of literature, sales offices, distributors, and an order form. Literature can also be ordered on the web site at <http://design-net.sps.mot.com/>.

#### 6.1.1 User's Manual

MC68331UM/AD *MC68331 User's Manual*

MC68332UM/AD *MC68332 User's Manual*

## 6.1.2 Reference Manuals

CPU32RM/AD	<i>M68300 Family CPU32 Central Processor Unit Reference Manual</i>
GPTMR/AD	<i>Modular Microcontroller Family General-Purpose Timer Reference Manual</i>
QSMRM/AD	<i>Modular Microcontroller Family Queued Serial Module Reference Manual</i>
SIMRM/AD	<i>Modular Microcontroller Family System Integration Module Reference Manual</i>
TPURM/AD	<i>Modular Microcontroller Family Time Processor Unit Reference Manual</i>

## 6.1.3 Application Notes

AN437/D	<i>Using the MC68332 Periodic Interrupt Timer</i>
AN473/D	<i>A Minimum Evaluation System for 331 &amp; 332</i>
AN455/D	<i>Using the Table Interpolation Features of the CPU32</i>
AN1050/D	<i>Designing for Electromagnetic Compatibility with HCMOS Microcontrollers</i>
AN1051/D	<i>Transmission Line Effects in PCB Applications</i>
AN1310/D	<i>Using the MC68332 Microcontroller for AC Induction Motor Control</i>
AN1062/D	<i>Using the QSPI for Analog Data Acquisition</i>
AN1200/D	<i>Configuring the M68300 Family TPU</i>
AN1230/D	<i>A BDM Driver Package for Modular Microcontrollers</i>
AN1236/D	<i>Timing Performance of TPU I/O Hardware</i>
AN1063/D	<i>DRAM controller for the MC68340</i>

## 6.1.4 TPU Programming Notes

TPUPN00/D	<i>Using the TPU Function Library and TPU Emulation Mode</i>
TPUPN01/D	<i>Queued Output Match TPU Function (QOM)</i>
TPUPN02/D	<i>Fast Quadrature Decode TPU Function (FQD)</i>
TPUPN03/D	<i>Frequency Measurement TPU Function (FQM)</i>
TPUPN04/D	<i>Table Stepper Motor TPU Function (TSM)</i>
TPUPN05/D	<i>Multichannel PWM TPU Function (MCPWM)</i>
TPUPN06/D	<i>Pulse and Transition Accumulate TPU Function (PTA)</i>
TPUPN07/D	<i>Universal Asynchronous Receiver/Transmitter (UART)</i>
TPUPN08/D	<i>New Input Transition Capture TPU Function (NITC)</i>
TPUPN09/D	<i>Commutation TPU Function (COMM)</i>
TPUPN10/D	<i>Hall Effect Decode TPU Function (HALLD)</i>
TPUPN11/D	<i>Period Pulse Width Accumulate TPU Function (PPWA)</i>
TPUPN12/D	<i>Output Compare TPU Function (OC)</i>
TPUPN13/D	<i>Stepper Motor TPU Function (SM)</i>
TPUPN14/D	<i>Position Synchronized Pulse Generator TPU Function (PSP)</i>
TPUPN15A/D	<i>Period Measurement with Additional Transition (PMA)</i>
TPUPN15B/D	<i>Period Measurement with Missing Transition TPU Function (PMM)</i>
TPUPN16/D	<i>Input Transition Capture TPU Function (ITC)</i>
TPUPN17/D	<i>Pulse Width Modulation TPU Function (PWM)</i>
TPUPN18/D	<i>Discrete I/O TPU Function (DIO)</i>
TPUPN19/D	<i>Synchronized Pulse Width Modulation TPU Function (SPWM)</i>

# Freescale Semiconductor, Inc.

TPUPN20/D *Quadrature Decode TPU Function (QDEC)*

The *TPU Literature Package* (TPULITPAK/D) includes the TPU Reference Manual and a complete set of programming notes.

## 6.1.5 Development Tools and Software

MCUDEVTDIR/D *Freescale Microcontroller Development Tools Directory*

## 6.1.6 Books

TB325/D *The Freescale MC68332 Microcontroller*

TB328/D *Programming Microcontrollers in C*

## 6.2 Freeware Data Systems

The Freescale Freeware BBS can be accessed by modem at phone number (512) 891-3733. Freeware can be accessed via internet at [freeware.aus.sps.mot.com](http://freeware.aus.sps.mot.com). For World Wide Web access, use <http://freeware.aus.sps.mot.com/>. The Freeware system contains a wealth of information concerning Freescale MCUs and downloadable software.

### 6.2.1 Application Snapshots

Application snapshots provide brief discussions of commonly-encountered problems and technical issues concerning MCUs. Snapshots are available on the Freeware system — access the Tech\_Notes area to see a list of topics and download snapshots. The system provides instructions concerning navigation and downloading files.

## 6.3 Other Sources

“EDN Magazine’s Designer’s Guide to Electromagnetic Compatibility.” Call (800) 523-9654 for a reprint of the article.

*EITD Electronic Industry Telephone Directory*. Lists phone numbers, addresses, and fax numbers of about 30,000 sources for electronics products and services. Call (800) 888-5900 or (216) 425-9000.



