



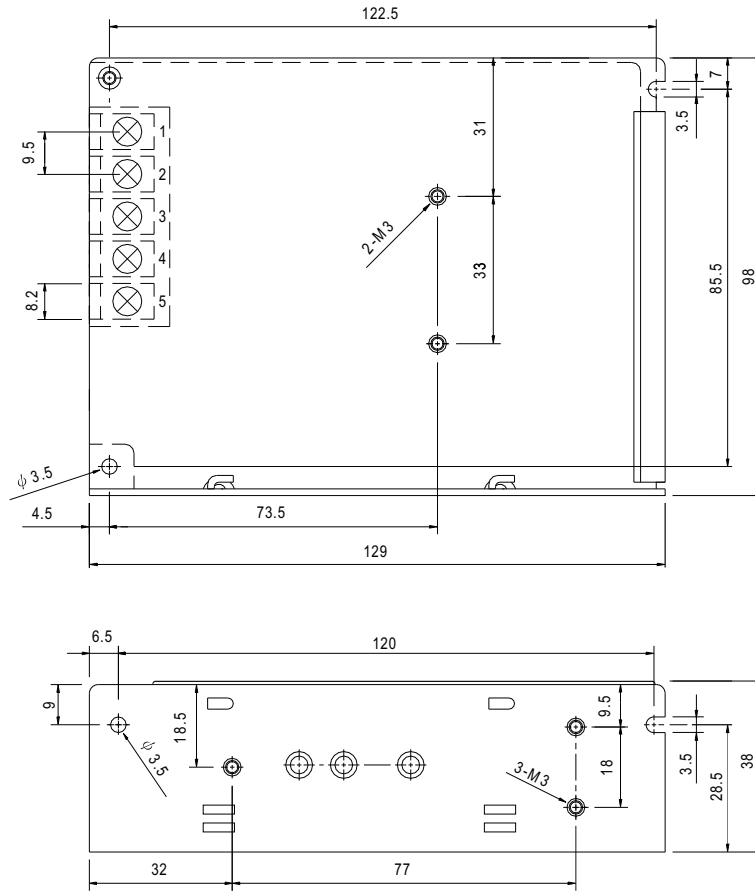
- Features :
- AC input range selected by switch
  - Protections: Short circuit/Over load
  - Cooling by free air convection
  - LED indicator for power on
  - Fixed switching frequency at 37KHz
  - 1 year warranty

## SPECIFICATION

MODEL	S-35-5	S-35-12	S-35-15	S-35-24	
OUTPUT	DC VOLTAGE	5V	12V	15V	24V
	RATED CURRENT	7A	3A	2.4A	1.5A
	CURRENT RANGE	0 ~ 7A	0 ~ 3A	0 ~ 2.4A	0 ~ 1.5A
	RATED POWER	35W	36W	36W	36W
	RIPPLE & NOISE (max.) Note.2	75mVp-p	100mVp-p	100mVp-p	100mVp-p
	VOLTAGE ADJ. RANGE	4.75 ~ 5.5V	10.8 ~ 13.2V	13.5 ~ 16.5V	22.6 ~ 26.4V
	VOLTAGE TOLERANCE Note.3	±2.0%	±1.0%	±1.0%	±1.0%
	LINE REGULATION	±0.5%	±0.5%	±0.5%	±0.5%
LOAD REGULATION	±1.0%	±0.5%	±0.5%	±0.5%	
SETUP, RISE, HOLD TIME	200ms, 100ms, 30ms at full load				
INPUT	VOLTAGE RANGE	85 ~ 132VAC / 170 ~ 264VAC selected by switch			240 ~ 370VDC
	FREQUENCY RANGE	47 ~ 63Hz			
	EFFICIENCY(Typ.)	70%	76%	78%	78%
	AC CURRENT	0.8A/115VAC	0.45A/230VAC		
	INRUSH CURRENT(max.)	COLD START 18A/115VAC		36A/230VAC	
LEAKAGE CURRENT	<2mA / 240VAC				
PROTECTION	OVER LOAD	105 ~ 150% rated output power			Protection type : Fold back current limiting, recovers automatically after fault condition is removed
	WORKING TEMP.	-10 ~ +60°C (Refer to output load derating curve)			
ENVIRONMENT	WORKING HUMIDITY	20 ~ 90% RH non-condensing			
	STORAGE TEMP., HUMIDITY	-20 ~ +85°C, 10 ~ 95% RH			
	TEMP. COEFFICIENT	±0.03%/°C (0 ~ 50°C)			
	VIBRATION	10 ~ 500Hz, 2G 10min./1cycle, period for 60min. each along X, Y, Z axes			
SAFETY & EMC	SAFETY STANDARDS	Design refer to UL1012			
	WITHSTAND VOLTAGE	I/P-O/P:1.5KVAC I/P-FG:1.5KVAC O/P-FG:0.5KVAC			
	ISOLATION RESISTANCE	I/P-O/P, I/P-FG, O/P-FG:100M Ohms/500VDC			
OTHERS	EMI CONDUCTION & RADIATION	Design refer to FCC Part15 J Conduction Class B			
	MTBF	435.2K hrs min. MIL-HDBK-217F (25°C)			
	DIMENSION	129*98*38mm (L*W*H)			
NOTE	PACKING	0.41Kg; 30pcs/13.4Kg/0.86CUFT			
	NOTE	1. All parameters NOT specially mentioned are measured at 230VAC input, rated load and 25°C of ambient temperature. 2. Ripple & noise are measured at 20MHz of bandwidth by using a 12" twisted pair-wire terminated with a 0.1uf & 47uf parallel capacitor. 3. Tolerance : includes set up tolerance, line regulation and load regulation.			

**Mechanical Specification**

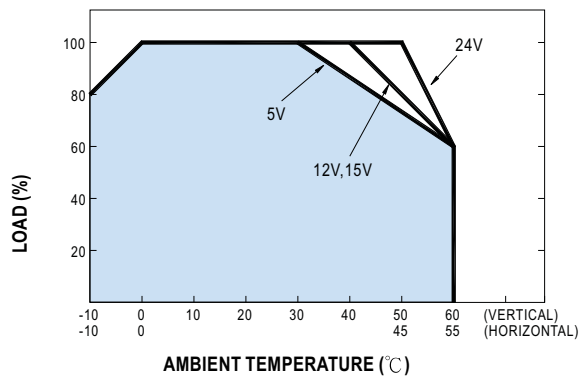
Case No. 903 Unit:mm



Terminal Pin. No Assignment

Pin No.	Assignment	Pin No.	Assignment
1	AC/L	4	DC OUTPUT -V
2	AC/N	5	DC OUTPUT +V
3	FG $\perp$		

**Output Derating**



**Static Characteristics (24V)**

