

Freescale Semiconductor, Inc.

MC68HC05P9A
HCMOS Microcontroller Unit

TECHNICAL DATA



**For More Information On This Product,
Go to: www.freescale.com**

Freescale Semiconductor, Inc.

Freescale Semiconductor, Inc.

**For More Information On This Product,
Go to: www.freescale.com**

List of Sections

Table of Contents 5

Introduction 9

Pin Descriptions 13

Memory 19

Central Processor Unit (CPU) 27

Resets and Interrupts..... 49

Low-Power Modes..... 59

Parallel I/O Ports 65

Computer Operating Properly
 Watchdog (COP) 79

Timer 85

Serial Input/Output Port (SIOP)..... 103

Analog-to-Digital Converter (ADC)..... 117

Specifications 127

Index..... 141

Literature Updates 153

Table of Contents

Introduction	Contents	9
	Features	10
	Structure	11
	Package Types and Order Numbers	12
	Mask Selectable Options	12
Pin Descriptions	Contents	13
	Pin Assignments	14
	Pin Functions	15
Memory	Contents	19
	Features	19
	Memory Map	20
	Input/Output Register Summary	21
	RAM	24
	ROM	24
	ROM Security Feature	24
Self-Check Mode	25	
CPU	Contents	27
	Features	28
	Introduction	28
	CPU Control Unit	30
	Arithmetic/Logic Unit	30
	CPU Registers	30
	Instruction Set	34
	Instruction Set Summary	42
	Opcode Map	47

Table of Contents

Resets and Interrupts	Contents	49
	Resets	50
	Low-Voltage Protection	52
	Interrupts	53
Low-Power Modes	Contents	59
	Stop Mode	59
	Halt Mode	61
	Wait Mode	63
	Contents	65
	Introduction	66
	Port A	67
	Port B	70
	Port C	73
	Port D	76
COP	Contents	79
	Features	79
	Introduction	80
	Operation	80
	Interrupts	81
	COP Register	81
	Low-Power Modes	82
Timer	Contents	85
	Features	86
	Introduction	86
	Operation	89
	Timing	91
	Interrupts	94
	I/O Registers	94
	Low-Power Modes	102

Freescale Semiconductor, Inc.

SIOP	Contents	103
	Features	104
	Introduction	104
	Operation.....	106
	Timing	110
	Interrupts	111
	I/O Registers	112
Low-Power Modes.....	116	
ADC	Contents	117
	Features	117
	Introduction	118
	Operation.....	119
	Interrupts	120
	Timing and Electrical Characteristics	121
	I/O Registers	122
Low-Power Modes.....	125	
Specifications	Contents	127
	Maximum Ratings	128
	Operating Temperature Range	128
	Thermal Characteristics.....	129
	Power Considerations	129
	5.0 V DC Electrical Characteristics	130
	3.3 V DC Electrical Characteristics	132
	Driver Characteristics	134
	Typical Supply Current vs. Internal Clock Frequency	135
	Maximum Supply Current vs. Internal Clock Frequency	136
	5.0 V Control Timing	137
	3.3 V Control Timing	138
	Test Load.....	139
Mechanical Specifications	139	

Table of Contents

Index [Index](#)141

Literature Updates [Literature Distribution Centers](#)153
 [Mfax](#)154
 [Motorola SPS World Marketing World Wide Web Server](#)154
 [CSIC Microcontroller Division's Web Site](#)154

Freescale Semiconductor, Inc.

Contents

Features10
Structure11
Package Types and Order Numbers.....12
Mask Selectable Options.....12

Features

- Four Peripheral Modules
 - 16-Bit Input Capture/Output Compare Timer
 - Synchronous Serial I/O Port (SIOP)
 - 4-Channel, 8-Bit Analog-to-Digital Converter (ADC)
 - Computer Operating Properly (COP) Watchdog
- 20 Bidirectional I/O Port Pins and One Input-Only Port Pin
 - High Current Source Sink on PC0 and PC1
 - Mask Programmable Pullups/Interrupts on PA0–PA7, a Keyboard Scan Feature
- On-Chip Oscillator with Connections for:
 - Crystal
 - Ceramic Resonator
 - External Clock
 - Resistor Capacitor (RC) Oscillator
- 2112 Bytes of ROM
 - 48 Bytes of Page Zero ROM
 - Eight Locations for User Vectors
 - ROM Security
- 128 Bytes of User RAM
- Selfcheck ROM
- Memory-Mapped Input/Output (I/O) Registers
- Fully Static Operation with No Minimum Clock Speed
- Power-Saving Stop and Wait Modes

Structure

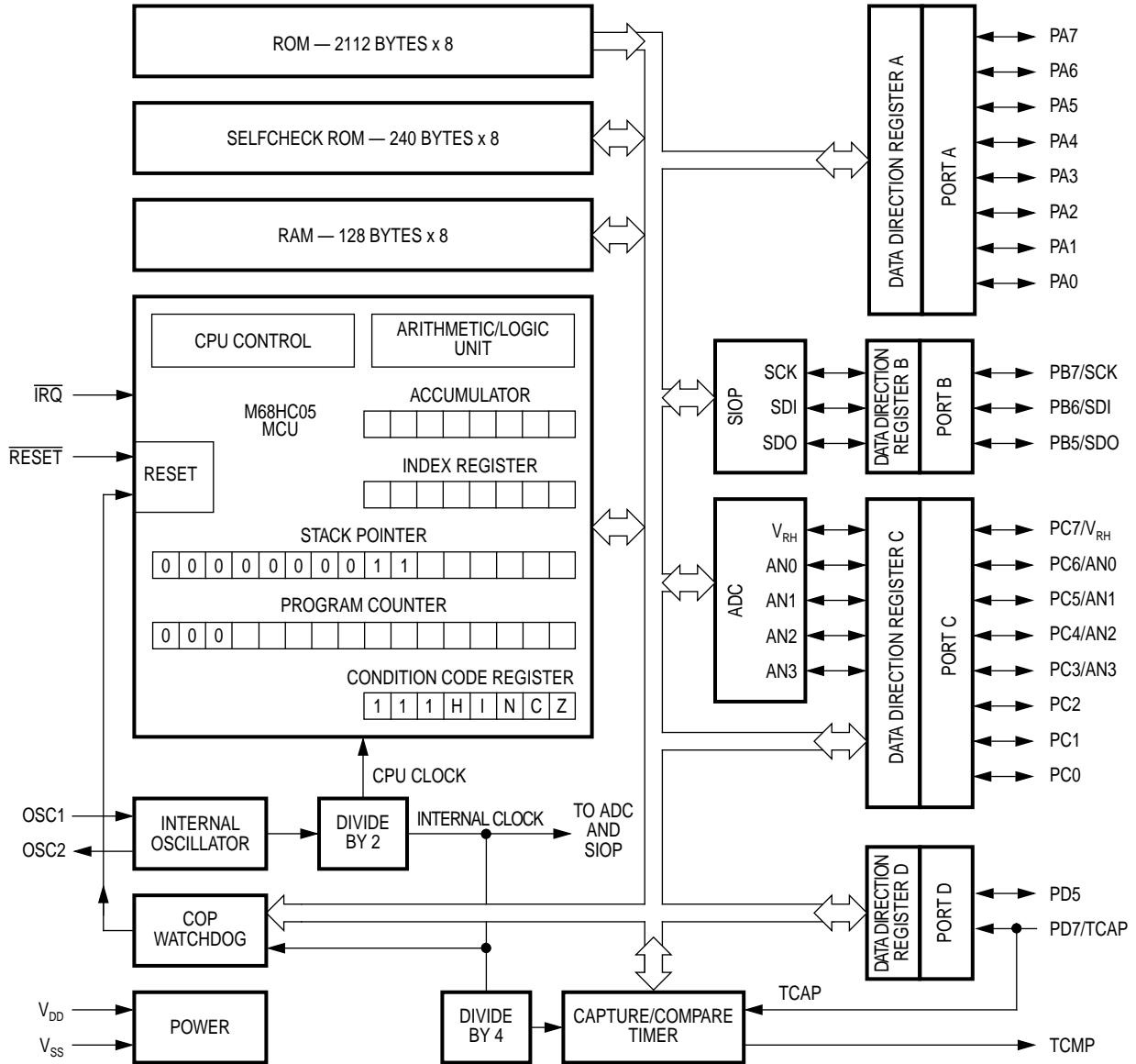


Figure 1. MC68HC05P9A Block Diagram

Package Types and Order Numbers

Table 1. Order Numbers

Package Type	Case Outline	Pin Count	Operating Temperature	Order Number
Plastic DIP ⁽¹⁾	710	28	0 to +70 °C -40 to +85 °C -40 to +105 °C -40 to +125 °C	MC68HC05P9AP MC68HC05P9ACP MC68HC05P9AVP MC68HC05P9AMP
SOIC ⁽²⁾	751F	28	0 to +70 °C -40 to +85 °C -40 to +105 °C -40 to +125 °C	MC68HC05P9ADW MC68HC05P9ACDW MC68HC05P9AVDW MC68HC05P9AMDW

- 1. DIP = dual in-line package
- 2. SOIC = small outline integrated circuit

Mask Selectable Options

The options in [Table 2](#) are user selectable mask options.

Table 2. User Selectable Mask Options

Feature	Option
COP Watchdog	Enabled or Disabled
External Interrupt Pin Triggering	Negative-Edge Triggering Only or Negative-Edge and Low-Level Triggering
SIOPI Data Format	MSB First or LSB First
Keyscan Pullups/Interrupts on Port A	Enabled Pin-by-Pin or Disabled Pin-by-Pin
STOP Instruction	Enabled or Disabled (Convert to HALT)

Contents

Pin Assignments14

Pin Functions.....15

V_{DD} and V_{SS} 15

 OSC1 and OSC215

 Crystal Connections16

 Ceramic Resonator Connections16

 RC Oscillator17

 External Clock Connections17

\overline{RESET} 17

\overline{IRQ} 17

 PA7–PA018

 PB7/SCK–PB5/SDO18

 PC7/ V_{RH} –PC018

 PD7/TCAP and PD518

 TCMP18

Pin Assignments

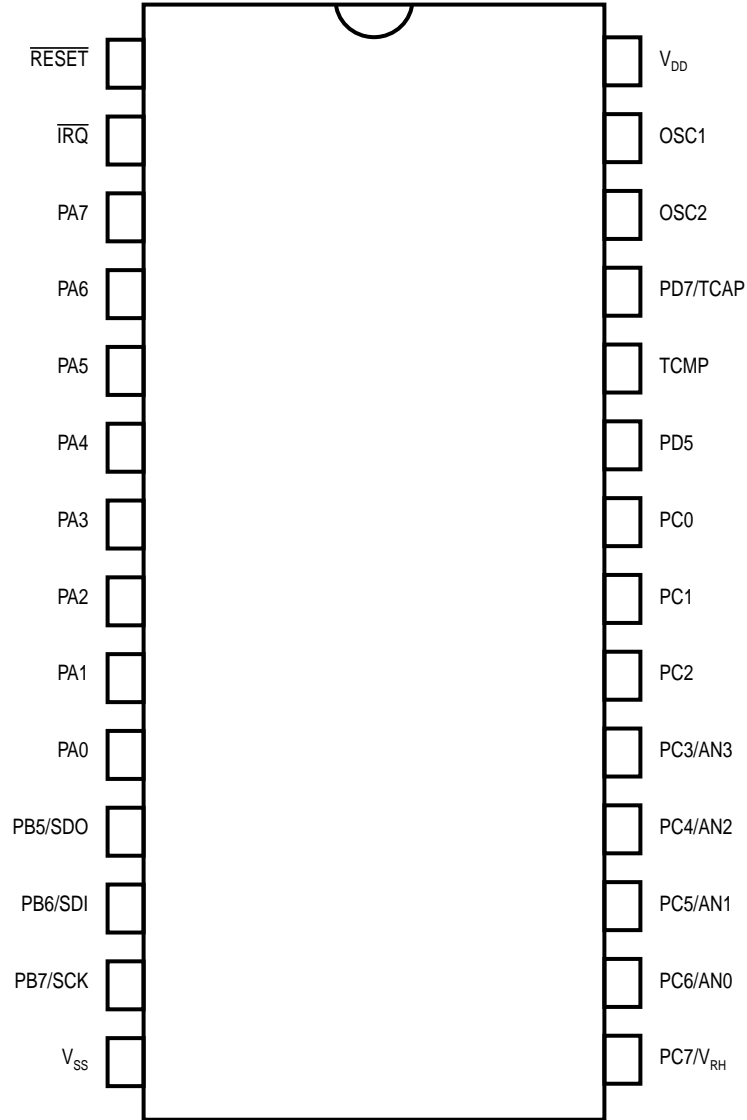


Figure 2. Pin Assignments

Freescale Semiconductor, Inc.

Pin Functions

V_{DD} and V_{SS}

V_{DD} and V_{SS} are the power supply and ground pins. The MCU operates from a single 5-V power supply.

Very fast signal transitions occur on the MCU pins, placing high short-duration current demands on the power supply. To prevent noise problems, take special care to provide good power supply bypassing at the MCU as **Figure 3** shows. Place the bypass capacitors as close as possible to the MCU. C2 is an optional bulk current bypass capacitor for use in applications that require the port pins to source high current levels.

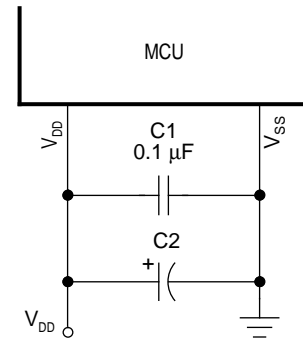


Figure 3. Bypassing Recommendation

OSC1 and OSC2

The OSC1 and OSC2 pins are the connections for the on-chip oscillator. The oscillator can be driven by any of the following:

- Crystal
- Ceramic resonator
- RC Oscillator
- External clock signal

The frequency of the on-chip oscillator is f_{OSC} . The MCU divides the internal oscillator output by two to produce the internal clock with a frequency of f_{OP} .

Crystal Connections

The circuit in **Figure 4** shows a typical crystal oscillator circuit for an AT-cut, parallel resonant crystal. Follow the crystal supplier's recommendations, as the crystal parameters determine the external component values required to provide reliable startup and maximum stability. The load capacitance values used in the oscillator circuit design should include all stray layout capacitances. To minimize output distortion, mount the crystal and capacitors as close as possible to the pins.

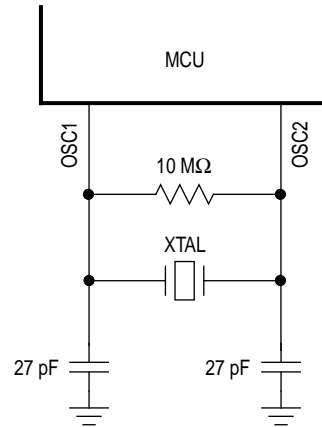


Figure 4. Crystal Connections

NOTE: Use an AT-cut crystal. Do not use a strip or tuning fork crystal. The MCU may overdrive or have the incorrect characteristic impedance for a strip or tuning fork crystal.

Ceramic Resonator Connections

To reduce cost, use a ceramic resonator in place of the crystal. **Figure 5** shows a ceramic resonator circuit. For the values of any external components, follow the recommendations of the resonator manufacturer. The load capacitance values used in the oscillator circuit design should include all stray layout capacitances. To minimize output distortion, mount the resonator and capacitors as close as possible to the pins.

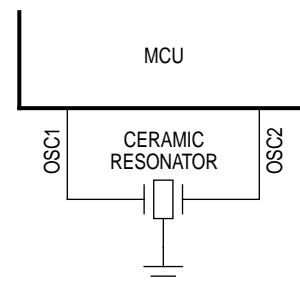


Figure 5. Ceramic Resonator Connections

NOTE: Because the frequency stability of ceramic resonators is not as high as that of crystal oscillators, using a ceramic resonator may degrade the performance of the ADC.

RC Oscillator

The lowest cost oscillator is the RC oscillator configuration where a resistor is connected between the two oscillator pins as shown in **Figure 6**. The internal startup resistor of approximately 2 MΩ is not recommended between OSC1 and OSC2 for the RC-type oscillator.

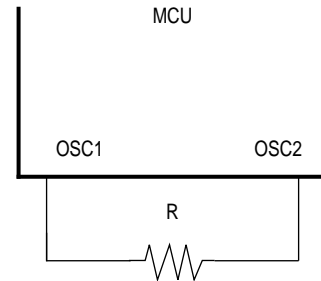


Figure 6. RC Oscillator Connections

External Clock Connections

An external clock from another CMOS-compatible device can drive the OSC1 input, with the OSC2 pin unconnected, as **Figure 7** shows.

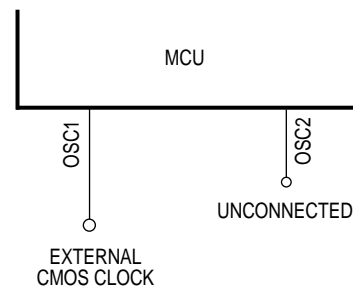


Figure 7. External Clock Connections

RESET

A logic 0 on the $\overline{\text{RESET}}$ pin forces the MCU to a known startup state. The $\overline{\text{RESET}}$ pin input circuit contains an internal Schmitt trigger to improve noise immunity.

IRQ

The $\overline{\text{IRQ}}$ pin has the following functions:

- Applying asynchronous external interrupt signals
- Applying V_{TST} , the mode detection voltage

Pin Descriptions

PA7–PA0	PA7–PA0 are general-purpose bidirectional I/O port pins. Use data direction register A to configure port A pins as inputs or outputs. PA7–PA0 also have mask selectable interrupt/pullup options.
PB7/SCK– PB5/SDO	Port B is a 3-pin bidirectional I/O port that shares its pins with the SIOP. Use data direction register B to configure port B pins as inputs or outputs.
PC7/V_{RH}–PC0	Port C is an 8-pin bidirectional I/O port that shares five of its pins with the ADC. Use data direction register C to configure port C pins as inputs or outputs.
PD7/TCAP and PD5	Port D is a 2-pin I/O port that shares one of its pins with the capture/compare timer. Use data direction register D to configure port D pins as inputs or outputs.
TCMP	The TCMP pin is the output compare pin for the capture/compare timer.

Contents

Features19
Memory Map20
Input/Output Register Summary21
RAM.....24
ROM.....24
ROM Security Feature.....24
Self-Check Mode.....25

Features

- 2104 Bytes of ROM
 - 48 Bytes of Page Zero ROM
 - Eight Locations for User Vectors
- 128 Bytes of User RAM
- 240 Selfcheck ROM

Memory

Memory Map

Freescale Semiconductor, Inc.

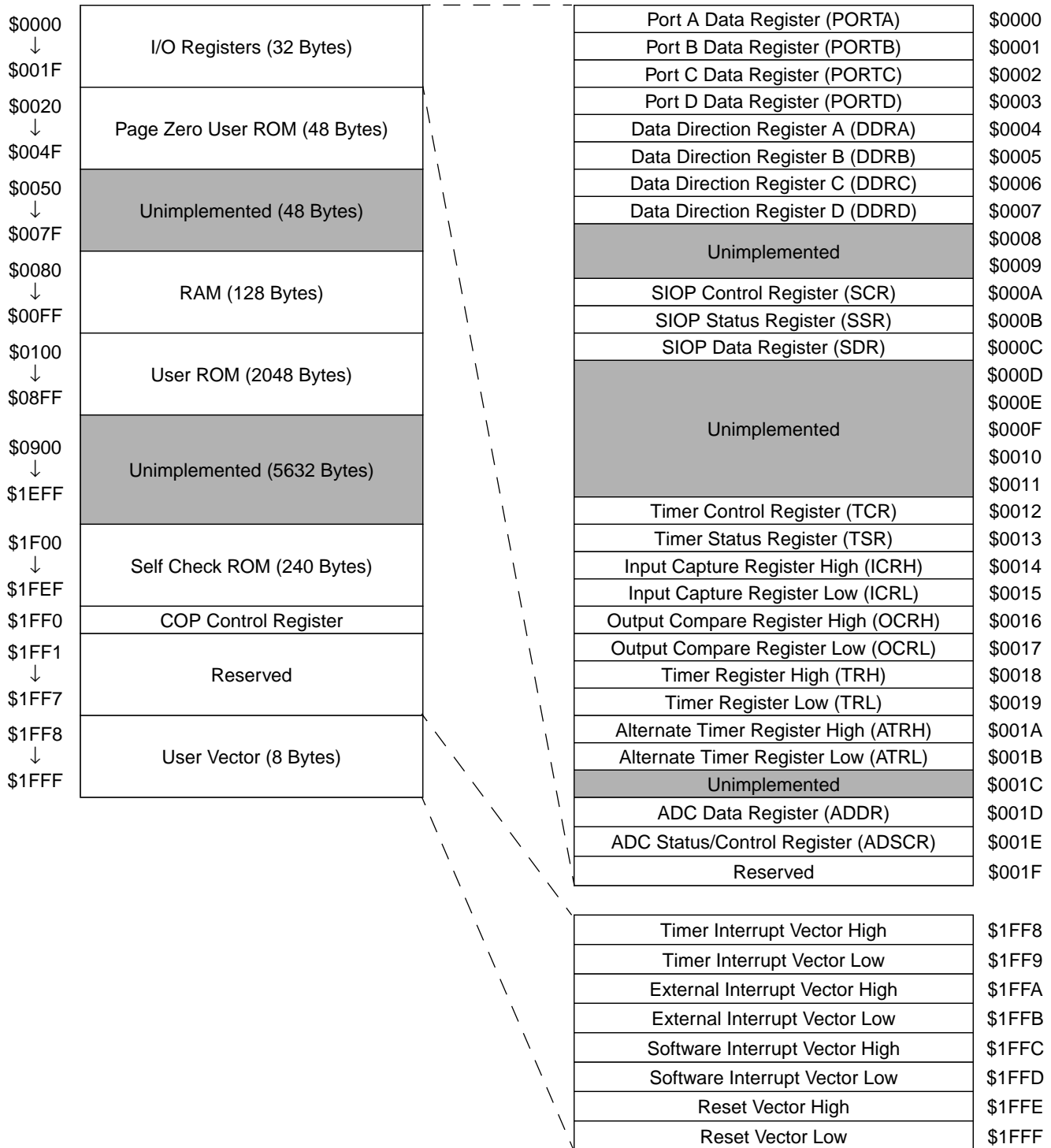


Figure 8. Memory Map

Input/Output Register Summary

Addr.	Name	R/W	Bit 7	6	5	4	3	2	1	Bit 0
\$0000	Port A Data Register (PORTA)	Read: Write: Reset:	PA7	PA6	PA5	PA4	PA3	PA2	PA1	PA0
			Unaffected by reset							
\$0001	Port B Data Register (PORTB)	Read: Write: Reset:	PB7	PB6	PB5	0	0	0	0	0
			Unaffected by reset							
\$0002	Port C Data Register (PORTC)	Read: Write: Reset:	PC7	PC6	PC5	PC4	PC3	PC2	PC1	PC0
			Unaffected by reset							
\$0003	Port D Data Register (PORTD)	Read: Write: Reset:	PD7	0	PD5	1	0	0	0	0
			Unaffected by reset							
\$0004	Data Direction Register A (DDRA)	Read: Write: Reset:	DDRA7	DDRA6	DDRA5	DDRA4	DDRA3	DDRA2	DDRA1	DDRA0
			0	0	0	0	0	0	0	0
\$0005	Data Direction Register B (DDRB)	Read: Write: Reset:	DDRB7	DDRB6	DDRB5	0	0	0	0	0
			0	0	0	0	0	0	0	0
\$0006	Data Direction Register C (DDRC)	Read: Write: Reset:	DDRC7	DDRC6	DDRC5	DDRC4	DDRC3	DDRC2	DDRC1	DDRC0
			0	0	0	0	0	0	0	0
\$0007	Data Direction Register D (DDRD)	Read: Write: Reset:	0	0	DDRD5	0	0	0	0	0
			0	0	0	0	0	0	0	0
\$0008	Unimplemented									
\$0009	Unimplemented									


 = Unimplemented R = Reserved U = Unaffected

Figure 9. I/O Register Summary

Memory

Addr.	Name	R/W	Bit 7	6	5	4	3	2	1	Bit 0
\$000A	SIOPI Control Register (SCR)	Read:	0	SPE	0	MSTR	0	0	0	0
		Write:								
		Reset:	0	0	0	0	0	0	0	0
\$000B	SIOPI Status Register (SSR)	Read:	SPIF	DCOL	0	0	0	0	0	0
		Write:								
		Reset:	0	0	0	0	0	0	0	0
\$000C	SIOPI Data Register (SDR)	Read:	Bit 7	6	5	4	3	2	1	Bit 0
		Write:								
		Reset:	Unaffected by reset							
\$000D	Unimplemented									
\$000E	Unimplemented									
\$000F	Unimplemented									
\$0010	Unimplemented									
\$0011	Unimplemented									
\$0012	Timer Control Register (TCR)	Read:	ICIE	OCIE	TOIE	0	0	0	IEDG	OLVL
		Write:								
		Reset:	0	0	0	0	0	0	U	0
\$0013	Timer Status Register (TSR)	Read:	ICF	OCF	TOF	0	0	0	0	0
		Write:								
		Reset:	Unaffected by reset			0	0	0	0	0
\$0014	Input Capture Register High (ICRH)	Read:	Bit 15	14	13	12	11	10	9	Bit 8
		Write:								
		Reset:	Unaffected by reset							
\$0015	Input Capture Register Low (ICRL)	Read:	Bit 7	6	5	4	3	2	1	Bit 0
		Write:								
		Reset:	Unaffected by reset							
\$0016	Output Compare Register High (OCRH)	Read:	Bit 15	14	13	12	11	10	9	Bit 8
		Write:								
		Reset:	Unaffected by reset							


 = Unimplemented R = Reserved U = Unaffected

Figure 9. I/O Register Summary (Continued)

8-mc68hc05p9a

Downloaded from Elcodis.com electronic components distributor

Addr.	Name	R/W	Bit 7	6	5	4	3	2	1	Bit 0	
\$0017	Output Compare Register Low (OCRL)	Read:	Bit 7	6	5	4	3	2	1	Bit 0	
		Write:									
		Reset:	Unaffected by reset								
\$0018	Timer Register High (TRH)	Read:	Bit 15	14	13	12	11	10	9	Bit 8	
		Write:									
		Reset:	Reset initializes TRH to \$FF								
\$0019	Timer Register Low (TRL)	Read:	Bit 7	6	5	4	3	2	1	Bit 0	
		Write:									
		Reset:	Reset initializes TRL to \$FC								
\$001A	Alternate Timer Register High (ATRH)	Read:	Bit 15	14	13	12	11	10	9	Bit 8	
		Write:									
		Reset:	Reset initializes ATRH to \$FF								
\$001B	Alternate Timer Register Low (ATRL)	Read:	Bit 7	6	5	4	3	2	1	Bit 0	
		Write:									
		Reset:	Reset initializes ATRL to \$FC								
\$001C	Unimplemented	Read:									
		Write:									
		Reset:	Unaffected by reset								
\$001D	ADC Data Register (ADDR)	Read:	Bit 7	6	5	4	3	2	1	Bit 0	
		Write:									
		Reset:	Unaffected by reset								
\$001E	ADC Status/Control Register (ADSCR)	Read:	CCF	ADRC	ADON	0	0	CH2	CH1	CH0	
		Write:									
		Reset:	0	0	0	0	0	0	0	0	
\$001F	Reserved	Read:	R	R	R	R	R	R	R	R	
		Write:									
		Reset:	Unaffected by reset								
\$1FF0	COP Register (COPR)	Read:	R	R	R	R	R	R	R	COPC	
		Write:									
		Reset:	Unaffected by reset								

= Unimplemented
 R = Reserved
 U = Unaffected

Figure 9. I/O Register Summary (Continued)

RAM

The 128 addresses from \$0080–\$00FF are RAM locations. The CPU uses the top 64 RAM addresses, \$00C0–\$00FF, as the stack. Before processing an interrupt, the CPU uses five bytes of the stack to save the contents of the CPU registers. During a subroutine call, the CPU uses two bytes of the stack to store the return address. The stack pointer decrements when the CPU stores a byte on the stack and increments when the CPU retrieves a byte from the stack.

NOTE: *Be careful when using nested subroutines or multiple interrupt levels. The CPU may overwrite data in the RAM during a subroutine or during the interrupt stacking operation.*

ROM

The following addresses are mask programmable ROM locations:

- \$0020–\$004F
- \$0100–\$08FF
- \$1FF8–\$1FFF (reserved for user-defined interrupt and reset vectors)

ROM Security Feature

A security¹ feature has been incorporated into the MC68HC05P9A to help prevent externally reading of code in the ROM. This feature aids in keeping customer developed software proprietary.

1. No security feature is absolutely secure. However, Motorola's strategy is to make reading or copying the ROM difficult for unauthorized users.

Self-Check Mode

The self-check program resides at mask ROM locations \$1F00 to \$1FEF. This program is designed to check the part's functionality with a minimum of support hardware. The COP subsystem is disabled in the self-check mode so that routines that feed the COP do not exist in the self-check program.

The self-check mode is entered on the rising edge of $\overline{\text{RESET}}$ if the $\overline{\text{IRQ}}$ pin is driven to double the supply voltage and the TCAP/PD7 pin is at logic 1. $\overline{\text{RESET}}$ must be held low for 4064 cycles after POR or for a time, t_{RL} , for any other reset. After reset, the I/O, RAM, ROM, timer, and SIOP are tested. Self-check results (using LEDs as monitors) are shown in [Table 3](#). It is not recommended that the user code use any of the self-check code. The self-check code is subject to change at any time to improve testability or manufacturability.

Table 3. Self-Check Results

PC2	PC1	PC0	Remarks
0	0	1	Bad I/O
0	1	0	Bad RAM
0	1	1	Bad Timer
1	0	0	Bad ROM
1	0	1	Bad Serial
Flashing			Good Device
All Others			Bad Device

0 indicates LED is on; 1 indicates LED is off.

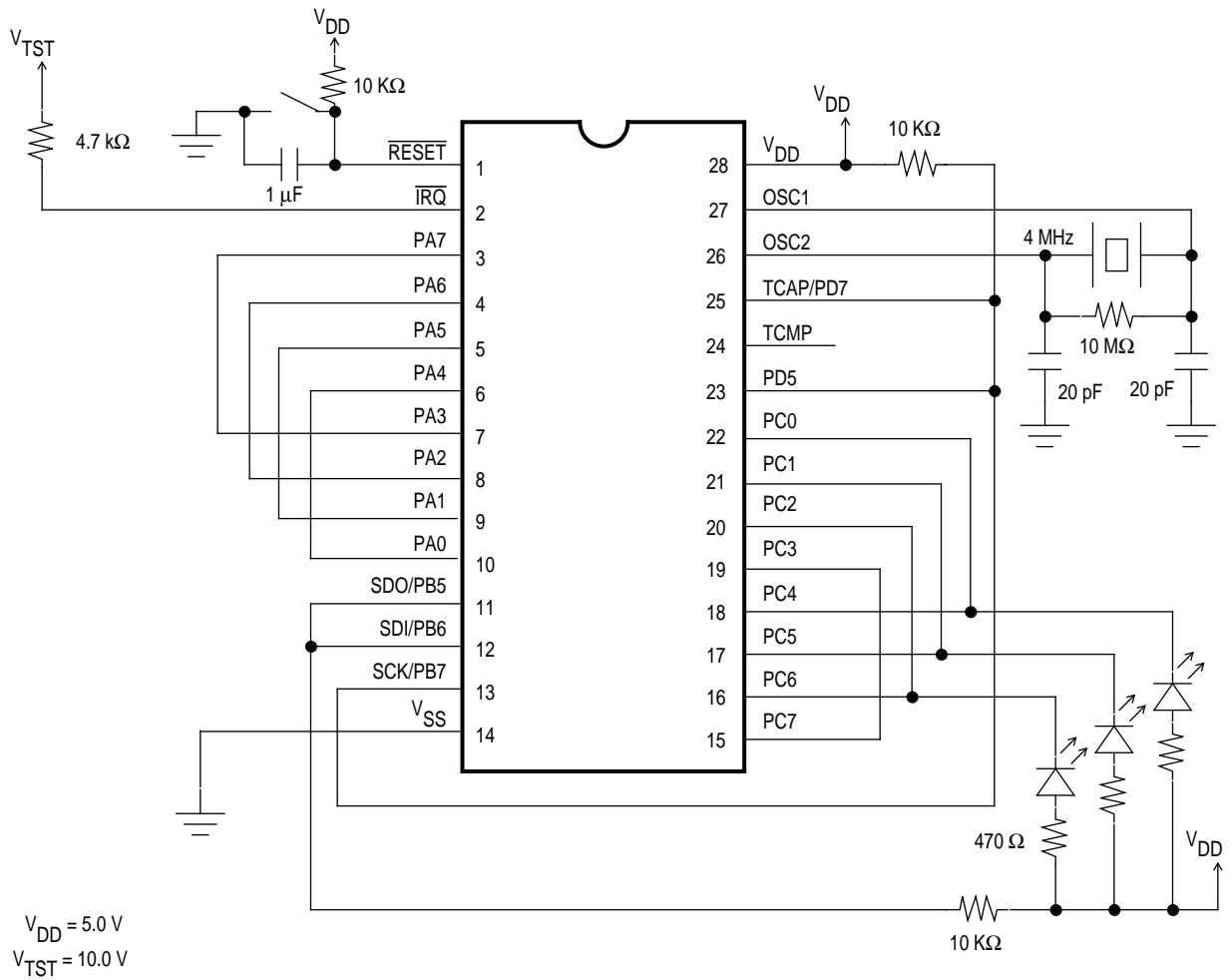


Figure 10. Self-Check Circuit

Central Processor Unit
CPU

Contents

Features	28
Introduction	28
CPU Control Unit	30
Arithmetic/Logic Unit	30
CPU Registers	30
Accumulator	31
Index Register	31
Stack Pointer	31
Program Counter	32
Condition Code Register	32
Instruction Set	34
Addressing Modes	34
Inherent	34
Immediate	34
Direct	35
Extended	35
Indexed, No Offset	35
Indexed, 8-Bit Offset	35
Indexed, 16-Bit Offset	36
Relative	36
Instruction Types	37
Register/Memory Instructions	37
Read-Modify-Write Instructions	38
Jump/Branch Instructions	39
Bit Manipulation Instructions	41
Control Instructions	41
Instruction Set Summary	42
Opcode Map	47

Features

- 2.1-MHz Bus Frequency
- 8-Bit Accumulator
- 8-Bit Index Register
- 13-Bit Program Counter
- 6-Bit Stack Pointer
- Condition Code Register with Five Status Flags
- 62 Instructions
- Eight Addressing Modes
- Power-Saving Stop and Wait Modes

Introduction

The central processor unit (CPU) consists of a CPU control unit, an arithmetic/logic unit (ALU), and five CPU registers. The CPU control unit fetches and decodes instructions. The ALU executes the instructions. The CPU registers contain data, addresses, and status bits that reflect the results of CPU operations.

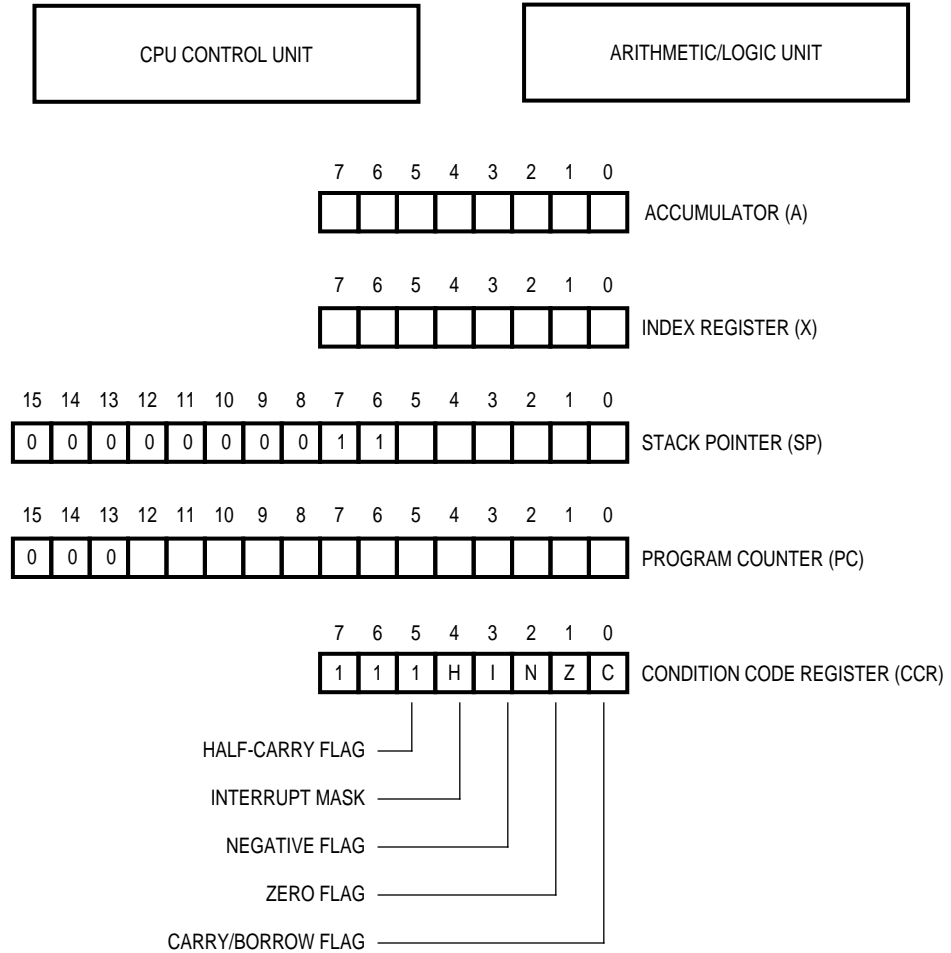


Figure 11. CPU Programming Model

CPU Control Unit

The CPU control unit fetches and decodes instructions during program operation. The control unit selects the memory locations to read and write and coordinates the timing of all CPU operations.

Arithmetic/Logic Unit

The arithmetic/logic unit (ALU) performs the arithmetic, logic, and manipulation operations decoded from the instruction set by the CPU control unit. The ALU produces the results called for by the program and sets or clears status and control bits in the condition code register (CCR).

CPU Registers

The M68HC05 CPU contains five registers that control and monitor MCU operation:

- Accumulator
- Index register
- Stack pointer
- Program counter
- Condition code register

CPU registers are not memory mapped.

Accumulator

The accumulator is a general-purpose 8-bit register. The CPU uses the accumulator to hold operands and the results of arithmetic and logic operations.

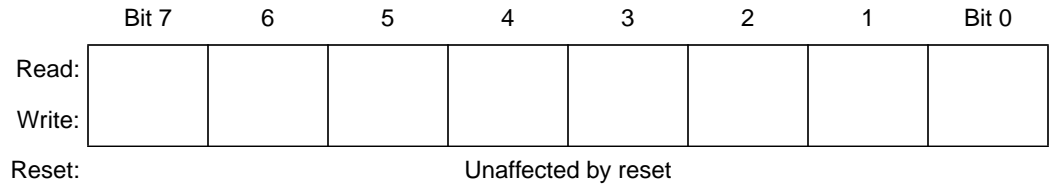


Figure 12. Accumulator (A)

Index Register

The index register can be used for data storage or as a counter. In the indexed addressing modes, the CPU uses the byte in the index register to determine the effective address of the operand.



Figure 13. Index Register (X)

Stack Pointer

The stack pointer is a 16-bit register that contains the address of the next stack location to be used. During a reset or after the reset stack pointer instruction (RSP), the stack pointer is preset to \$00FF. The address in the stack pointer decrements after a byte is stacked and increments before a byte is unstacked.

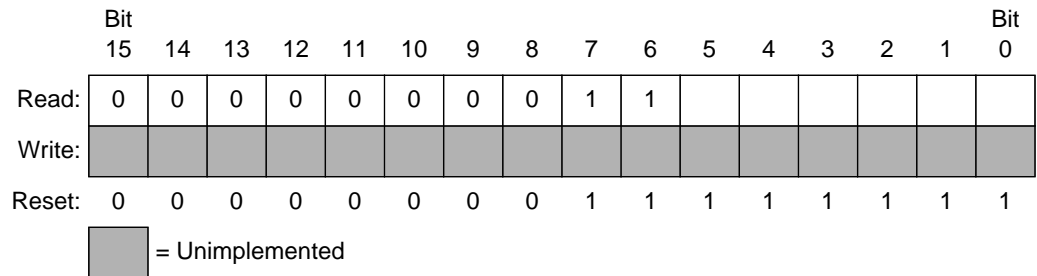


Figure 14. Stack Pointer (SP)

The 10 most significant bits of the stack pointer are permanently fixed at 0000000011, so the stack pointer produces addresses from \$00C0 to \$00FF. If subroutines and interrupts use more than 64 stack locations, the stack pointer wraps around to address \$00FF and begins writing over the previously stored data. A subroutine uses two stack locations; an interrupt uses five locations.

Program Counter

The program counter is a 16-bit register that contains the address of the next instruction or operand to be fetched. The three most significant bits of the program counter are ignored internally and appear as 000.

Normally, the address in the program counter automatically increments to the next sequential memory location every time an instruction or operand is fetched. Jump, branch, and interrupt operations load the program counter with an address other than that of the next sequential location.

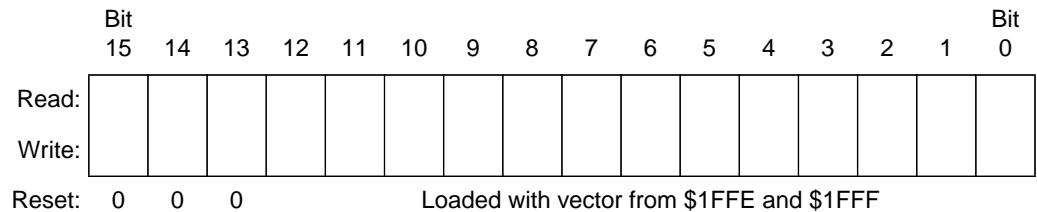


Figure 15. Program Counter (PC)

Condition Code Register

The condition code register is an 8-bit register whose three most significant bits are permanently fixed at 111. The condition code register contains the interrupt mask and four flags that indicate the results of the instruction just executed.

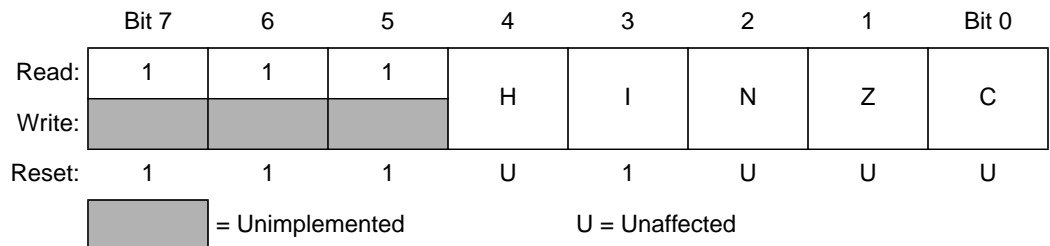


Figure 16. Condition Code Register (CCR)

H — Half-Carry Flag

The CPU sets the half-carry flag when a carry occurs between bits 3 and 4 of the accumulator during an ADD or ADC operation. The half-carry flag is required for binary-coded decimal (BCD) arithmetic operations.

I — Interrupt Mask

Setting the interrupt mask disables interrupts. If an interrupt request occurs while the interrupt mask is logic zero, the CPU saves the CPU registers on the stack, sets the interrupt mask, and then fetches the interrupt vector. If an interrupt request occurs while the interrupt mask is set, the interrupt request is latched. Normally, the CPU processes the latched interrupt as soon as the interrupt mask is cleared again.

A return from interrupt (RTI) instruction pulls the CPU registers from the stack, restoring the interrupt mask to its cleared state. After any reset, the interrupt mask is set and can be cleared only by a software instruction.

N — Negative Flag

The CPU sets the negative flag when an arithmetic operation, logical operation, or data manipulation produces a negative result.

Z — Zero Flag

The CPU sets the zero flag when an arithmetic operation, logical operation, or data manipulation produces a result of \$00.

C — Carry/Borrow Flag

The CPU sets the carry/borrow flag when an addition operation produces a carry out of bit 7 of the accumulator or when a subtraction operation requires a borrow. Some logical operations and data manipulation instructions also clear or set the carry/borrow flag.

Instruction Set

The MCU instruction set has 62 instructions and uses eight addressing modes. The instructions include all those of the M146805 CMOS Family plus one more: the unsigned multiply (MUL) instruction. The MUL instruction allows unsigned multiplication of the contents of the accumulator (A) and the index register (X). The high-order product is stored in the index register, and the low-order product is stored in the accumulator.

Addressing Modes

The CPU uses eight addressing modes for flexibility in accessing data. The addressing modes provide eight different ways for the CPU to find the data required to execute an instruction. The eight addressing modes are:

- Inherent
- Immediate
- Direct
- Extended
- Indexed, no offset
- Indexed, 8-bit offset
- Indexed, 16-bit offset
- Relative

Inherent

Inherent instructions are those that have no operand, such as return from interrupt (RTI) and stop (STOP). Some of the inherent instructions act on data in the CPU registers, such as set carry flag (SEC) and increment accumulator (INCA). Inherent instructions require no operand address and are one byte long.

Immediate

Immediate instructions are those that contain a value to be used in an operation with the value in the accumulator or index register. Immediate instructions require no operand address and are two bytes long. The opcode is the first byte, and the immediate data value is the second byte.

Direct Direct instructions can access any of the first 256 memory locations with two bytes. The first byte is the opcode, and the second is the low byte of the operand address. In direct addressing, the CPU automatically uses \$00 as the high byte of the operand address.

Extended Extended instructions use three bytes and can access any address in memory. The first byte is the opcode; the second and third bytes are the high and low bytes of the operand address.

When using the Motorola assembler, the programmer does not need to specify whether an instruction is direct or extended. The assembler automatically selects the shortest form of the instruction.

*Indexed,
No Offset* Indexed instructions with no offset are 1-byte instructions that can access data with variable addresses within the first 256 memory locations. The index register contains the low byte of the effective address of the operand. The CPU automatically uses \$00 as the high byte, so these instructions can address locations \$0000–\$00FF.

Indexed, no offset instructions are often used to move a pointer through a table or to hold the address of a frequently used RAM or I/O location.

*Indexed,
8-Bit Offset* Indexed, 8-bit offset instructions are 2-byte instructions that can access data with variable addresses within the first 511 memory locations. The CPU adds the unsigned byte in the index register to the unsigned byte following the opcode. The sum is the effective address of the operand. These instructions can access locations \$0000–\$01FE.

Indexed 8-bit offset instructions are useful for selecting the kth element in an n-element table. The table can begin anywhere within the first 256 memory locations and could extend as far as location 510 (\$01FE). The k value is typically in the index register, and the address of the beginning of the table is in the byte following the opcode.

Indexed, 16-Bit Offset

Indexed, 16-bit offset instructions are 3-byte instructions that can access data with variable addresses at any location in memory. The CPU adds the unsigned byte in the index register to the two unsigned bytes following the opcode. The sum is the effective address of the operand. The first byte after the opcode is the high byte of the 16-bit offset; the second byte is the low byte of the offset.

Indexed, 16-bit offset instructions are useful for selecting the kth element in an n-element table anywhere in memory.

As with direct and extended addressing, the Motorola assembler determines the shortest form of indexed addressing.

Relative

Relative addressing is only for branch instructions. If the branch condition is true, the CPU finds the effective branch destination by adding the signed byte following the opcode to the contents of the program counter. If the branch condition is not true, the CPU goes to the next instruction. The offset is a signed, two's complement byte that gives a branching range of -128 to $+127$ bytes from the address of the next location after the branch instruction.

When using the Motorola assembler, the programmer does not need to calculate the offset, because the assembler determines the proper offset and verifies that it is within the span of the branch.

Instruction Types The MCU instructions fall into the following five categories:

- Register/Memory Instructions
- Read-Modify-Write Instructions
- Jump/Branch Instructions
- Bit Manipulation Instructions
- Control Instructions

*Register/
Memory
Instructions*

These instructions operate on CPU registers and memory locations. Most of them use two operands. One operand is in either the accumulator or the index register. The CPU finds the other operand in memory.

Table 4. Register/Memory Instructions

Instruction	Mnemonic
Add Memory Byte and Carry Bit to Accumulator	ADC
Add Memory Byte to Accumulator	ADD
AND Memory Byte with Accumulator	AND
Bit Test Accumulator	BIT
Compare Accumulator	CMP
Compare Index Register with Memory Byte	CPX
EXCLUSIVE OR Accumulator with Memory Byte	EOR
Load Accumulator with Memory Byte	LDA
Load Index Register with Memory Byte	LDX
Multiply	MUL
OR Accumulator with Memory Byte	ORA
Subtract Memory Byte and Carry Bit from Accumulator	SBC
Store Accumulator in Memory	STA
Store Index Register in Memory	STX
Subtract Memory Byte from Accumulator	SUB

Read-Modify-Write Instructions

These instructions read a memory location or a register, modify its contents, and write the modified value back to the memory location or to the register.

NOTE: *Do not use read-modify-write operations on write-only registers.*

Table 5. Read-Modify-Write Instructions

Instruction	Mnemonic
Arithmetic Shift Left (Same as LSL)	ASL
Arithmetic Shift Right	ASR
Bit Clear	BCLR ⁽¹⁾
Bit Set	BSET ⁽¹⁾
Clear Register	CLR
Complement (One's Complement)	COM
Decrement	DEC
Increment	INC
Logical Shift Left (Same as ASL)	LSL
Logical Shift Right	LSR
Negate (Two's Complement)	NEG
Rotate Left through Carry Bit	ROL
Rotate Right through Carry Bit	ROR
Test for Negative or Zero	TST ⁽²⁾

1. Unlike other read-modify-write instructions, BCLR and BSET use only direct addressing.
2. TST is an exception to the read-modify-write sequence because it does not write a replacement value.

*Jump/Branch
Instructions*

Jump instructions allow the CPU to interrupt the normal sequence of the program counter. The unconditional jump instruction (JMP) and the jump-to-subroutine instruction (JSR) have no register operand. Branch instructions allow the CPU to interrupt the normal sequence of the program counter when a test condition is met. If the test condition is not met, the branch is not performed.

The BRCLR and BRSET instructions cause a branch based on the state of any readable bit in the first 256 memory locations. These 3-byte instructions use a combination of direct addressing and relative addressing. The direct address of the byte to be tested is in the byte following the opcode. The third byte is the signed offset byte. The CPU finds the effective branch destination by adding the third byte to the program counter if the specified bit tests true. The bit to be tested and its condition (set or clear) is part of the opcode. The span of branching is from -128 to $+127$ from the address of the next location after the branch instruction. The CPU also transfers the tested bit to the carry/borrow bit of the condition code register.

Table 6. Jump and Branch Instructions

Instruction	Mnemonic
Branch if Carry Bit Clear	BCC
Branch if Carry Bit Set	BCS
Branch if Equal	BEQ
Branch if Half-Carry Bit Clear	BHCC
Branch if Half-Carry Bit Set	BHCS
Branch if Higher	BHI
Branch if Higher or Same	BHS
Branch if $\overline{\text{IRQ}}$ Pin High	BIH
Branch if $\overline{\text{IRQ}}$ Pin Low	BIL
Branch if Lower	BLO
Branch if Lower or Same	BLS
Branch if Interrupt Mask Clear	BMC
Branch if Minus	BMI
Branch if Interrupt Mask Set	BMS
Branch if Not Equal	BNE
Branch if Plus	BPL
Branch Always	BRA
Branch if Bit Clear	BRCLR
Branch Never	BRN
Branch if Bit Set	BRSET
Branch to Subroutine	BSR
Unconditional Jump	JMP
Jump to Subroutine	JSR

*Bit Manipulation
Instructions*

The CPU can set or clear any writable bit in the first 256 bytes of memory, which includes I/O registers and on-chip RAM locations. The CPU can also test and branch based on the state of any bit in any of the first 256 memory locations.

Table 7. Bit Manipulation Instructions

Instruction	Mnemonic
Bit Clear	BCLR
Branch if Bit Clear	BRCLR
Branch if Bit Set	BRSET
Bit Set	BSET

*Control
Instructions*

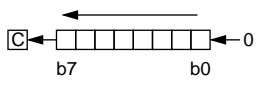
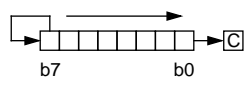
These instructions act on CPU registers and control CPU operation during program execution.

Table 8. Control Instructions

Instruction	Mnemonic
Clear Carry Bit	CLC
Clear Interrupt Mask	CLI
No Operation	NOP
Reset Stack Pointer	RSP
Return from Interrupt	RTI
Return from Subroutine	RTS
Set Carry Bit	SEC
Set Interrupt Mask	SEI
Stop Oscillator and Enable \overline{IRQ} Pin	STOP
Software Interrupt	SWI
Transfer Accumulator to Index Register	TAX
Transfer Index Register to Accumulator	TXA
Stop CPU Clock and Enable Interrupts	WAIT

Instruction Set Summary

Table 9. Instruction Set Summary

Source Form	Operation	Description	Effect on CCR					Address Mode	Opcode	Operand	Cycles
			H	I	N	Z	C				
ADC #opr ADC opr ADC opr ADC opr,X ADC opr,X ADC ,X	Add with Carry	$A \leftarrow (A) + (M) + (C)$	↑x—	↑x	↑x	↑x	↑x	IMM DIR EXT IX2 IX1 IX	A9 B9 C9 D9 E9 F9	ii dd hh ll ee ff ff	2 3 4 5 4 3
ADD #opr ADD opr ADD opr ADD opr,X ADD opr,X ADD ,X	Add without Carry	$A \leftarrow (A) + (M)$	↑x—	↑x	↑	↑	↑	IMM DIR EXT IX2 IX1 IX	AB BB CB DB EB FB	ii dd hh ll ee ff ff	2 3 4 5 4 3
AND #opr AND opr AND opr AND opr,X AND opr,X AND ,X	Logical AND	$A \leftarrow (A) \wedge (M)$	—	—	↑x	↑	—	IMM DIR EXT IX2 IX1 IX	A4 B4 C4 D4 E4 F4	ii dd hh ll ee ff ff	2 3 4 5 4 3
ASL opr ASLA ASLX ASL opr,X ASL ,X	Arithmetic Shift Left (Same as LSL)		—	—	↑x	↑	↑	DIR INH INH IX1 IX	38 48 58 68 78	dd dd ff	5 3 3 6 5
ASR opr ASRA ASRX ASR opr,X ASR ,X	Arithmetic Shift Right		—	—	↑x	↑	↑	DIR INH INH IX1 IX	37 47 57 67 77	dd dd ff	5 3 3 6 5
BCC rel	Branch if Carry Bit Clear	$PC \leftarrow (PC) + 2 + rel ? C = 0$	—	—	—	—	—	REL	24	rr	3
BCLR n opr	Clear Bit n	$M_n \leftarrow 0$	—	—	—	—	—	DIR (b0) DIR (b1) DIR (b2) DIR (b3) DIR (b4) DIR (b5) DIR (b6) DIR (b7)	11 13 15 17 19 1B 1D 1F	dd dd dd dd dd dd dd dd	5 5 5 5 5 5 5 5
BCS rel	Branch if Carry Bit Set (Same as BLO)	$PC \leftarrow (PC) + 2 + rel ? C = 1$	—	—	—	—	—	REL	25	rr	3
BEQ rel	Branch if Equal	$PC \leftarrow (PC) + 2 + rel ? Z = 1$	—	—	—	—	—	REL	27	rr	3
BHCC rel	Branch if Half-Carry Bit Clear	$PC \leftarrow (PC) + 2 + rel ? H = 0$	—	—	—	—	—	REL	28	rr	3
BHCS rel	Branch if Half-Carry Bit Set	$PC \leftarrow (PC) + 2 + rel ? H = 1$	—	—	—	—	—	REL	29	rr	3

20-hc05cpu

Table 9. Instruction Set Summary (Continued)

Source Form	Operation	Description	Effect on CCR					Address Mode	Opcode	Operand	Cycles
			H	I	N	Z	C				
BHI <i>rel</i>	Branch if Higher	$PC \leftarrow (PC) + 2 + rel ? C \vee Z = 0$	—	—	—	—	—	REL	22	rr	3
BHS <i>rel</i>	Branch if Higher or Same	$PC \leftarrow (PC) + 2 + rel ? C = 0$	—	—	—	—	—	REL	24	rr	3
BIH <i>rel</i>	Branch if IRQ Pin High	$PC \leftarrow (PC) + 2 + rel ? IRQ = 1$	—	—	—	—	—	REL	2F	rr	3
BIL <i>rel</i>	Branch if IRQ Pin Low	$PC \leftarrow (PC) + 2 + rel ? IRQ = 0$	—	—	—	—	—	REL	2E	rr	3
BIT # <i>opr</i> BIT <i>opr</i> BIT <i>opr</i> BIT <i>opr</i> , <i>X</i> BIT <i>opr</i> , <i>X</i> BIT , <i>X</i>	Bit Test Accumulator with Memory Byte	$(A) \wedge (M)$	—	—	↕x	↑	—	IMM	A5	ii	2
DIR			B5	dd	3						
EXT			C5	hh ll	4						
IX2			D5	ee ff	5						
IX1			E5	ff	4						
IX			F5		3						
BLO <i>rel</i>	Branch if Lower (Same as BCS)	$PC \leftarrow (PC) + 2 + rel ? C = 1$	—	—	—	—	—	REL	25	rr	3
BLS <i>rel</i>	Branch if Lower or Same	$PC \leftarrow (PC) + 2 + rel ? C \vee Z = 1$	—	—	—	—	—	REL	23	rr	3
BMC <i>rel</i>	Branch if Interrupt Mask Clear	$PC \leftarrow (PC) + 2 + rel ? I = 0$	—	—	—	—	—	REL	2C	rr	3
BMI <i>rel</i>	Branch if Minus	$PC \leftarrow (PC) + 2 + rel ? N = 1$	—	—	—	—	—	REL	2B	rr	3
BMS <i>rel</i>	Branch if Interrupt Mask Set	$PC \leftarrow (PC) + 2 + rel ? I = 1$	—	—	—	—	—	REL	2D	rr	3
BNE <i>rel</i>	Branch if Not Equal	$PC \leftarrow (PC) + 2 + rel ? Z = 0$	—	—	—	—	—	REL	26	rr	3
BPL <i>rel</i>	Branch if Plus	$PC \leftarrow (PC) + 2 + rel ? N = 0$	—	—	—	—	—	REL	2A	rr	3
BRA <i>rel</i>	Branch Always	$PC \leftarrow (PC) + 2 + rel ? 1 = 1$	—	—	—	—	—	REL	20	rr	3
BRCLR <i>n opr rel</i>	Branch if Bit n Clear	$PC \leftarrow (PC) + 2 + rel ? Mn = 0$	—	—	—	—	↕x	DIR (b0)	01	dd rr	5
			DIR (b1)	03	dd rr	5					
			DIR (b2)	05	dd rr	5					
			DIR (b3)	07	dd rr	5					
			DIR (b4)	09	dd rr	5					
			DIR (b5)	0B	dd rr	5					
			DIR (b6)	0D	dd rr	5					
			DIR (b7)	0F	dd rr	5					
BRN <i>rel</i>	Branch Never	$PC \leftarrow (PC) + 2 + rel ? 1 = 0$	—	—	—	—	REL	21	rr	3	
BRSET <i>n opr rel</i>	Branch if Bit n Set	$PC \leftarrow (PC) + 2 + rel ? Mn = 1$	—	—	—	—	↕x	DIR (b0)	00	dd rr	5
			DIR (b1)	02	dd rr	5					
			DIR (b2)	04	dd rr	5					
			DIR (b3)	06	dd rr	5					
			DIR (b4)	08	dd rr	5					
			DIR (b5)	0A	dd rr	5					
			DIR (b6)	0C	dd rr	5					
			DIR (b7)	0E	dd rr	5					
BSET <i>n opr</i>	Set Bit n	$Mn \leftarrow 1$	—	—	—	—	—	DIR (b0)	10	dd	5
			DIR (b1)	12	dd	5					
			DIR (b2)	14	dd	5					
			DIR (b3)	16	dd	5					
			DIR (b4)	18	dd	5					
			DIR (b5)	1A	dd	5					
			DIR (b6)	1C	dd	5					
			DIR (b7)	1E	dd	5					

Table 9. Instruction Set Summary (Continued)

Source Form	Operation	Description	Effect on CCR					Address Mode	Opcode	Operand	Cycles
			H	I	N	Z	C				
BSR <i>rel</i>	Branch to Subroutine	PC ← (PC) + 2; push (PCL) SP ← (SP) - 1; push (PCH) SP ← (SP) - 1 PC ← (PC) + <i>rel</i>	—	—	—	—	—	REL	AD	rr	6
CLC	Clear Carry Bit	C ← 0	—	—	—	—	0	INH	98		2
CLI	Clear Interrupt Mask	I ← 0	—	0	—	—	—	INH	9A		2
CLR <i>opr</i> CLRA CLR X CLR <i>opr,X</i> CLR ,X	Clear Byte	M ← \$00 A ← \$00 X ← \$00 M ← \$00 M ← \$00	—	—	0	1	—	DIR INH INH IX1 IX	3F 4F 5F 6F 7F	dd ff	5 3 3 6 5
CMP # <i>opr</i> CMP <i>opr</i> CMP <i>opr</i> CMP <i>opr,X</i> CMP <i>opr,X</i> CMP ,X	Compare Accumulator with Memory Byte	(A) - (M)	—	—	↓x	↑	↑	IMM DIR EXT IX2 IX1 IX	A1 B1 C1 D1 E1 F1	ii dd hh ll ee ff ff	2 3 4 5 4 3
COM <i>opr</i> COMA COM X COM <i>opr,X</i> COM ,X	Complement Byte (One's Complement)	M ← (M̄) = \$FF - (M) A ← (Ā) = \$FF - (A) X ← (X̄) = \$FF - (X) M ← (M̄) = \$FF - (M) M ← (M̄) = \$FF - (M)	—	—	↓x	↓x	1	DIR INH INH IX1 IX	33 43 53 63 73	dd ff	5 3 3 6 5
CPX # <i>opr</i> CPX <i>opr</i> CPX <i>opr</i> CPX <i>opr,X</i> CPX <i>opr,X</i> CPX ,X	Compare Index Register with Memory Byte	(X) - (M)	—	—	↓x	×	×	IMM DIR EXT IX2 IX1 IX	A3 B3 C3 D3 E3 F3	ii dd hh ll ee ff ff	2 3 4 5 4 3
DEC <i>opr</i> DECA DEC X DEC <i>opr,X</i> DEC ,X	Decrement Byte	M ← (M) - 1 A ← (A) - 1 X ← (X) - 1 M ← (M) - 1 M ← (M) - 1	—	—	↓x	↓x	—	DIR INH INH IX1 IX	3A 4A 5A 6A 7A	dd ff	5 3 3 6 5
EOR # <i>opr</i> EOR <i>opr</i> EOR <i>opr</i> EOR <i>opr,X</i> EOR <i>opr,X</i> EOR ,X	EXCLUSIVE OR Accumulator with Memory Byte	A ← (A) ⊕ (M)	—	—	↓x	↑	—	IMM DIR EXT IX2 IX1 IX	A8 B8 C8 D8 E8 F8	ii dd hh ll ee ff ff	2 3 4 5 4 3
INC <i>opr</i> INCA INC X INC <i>opr,X</i> INC ,X	Increment Byte	M ← (M) + 1 A ← (A) + 1 X ← (X) + 1 M ← (M) + 1 M ← (M) + 1	—	—	↓x	↓x	—	DIR INH INH IX1 IX	3C 4C 5C 6C 7C	dd ff	5 3 3 6 5

Table 9. Instruction Set Summary (Continued)

Source Form	Operation	Description	Effect on CCR					Address Mode	Opcode	Operand	Cycles
			H	I	N	Z	C				
JMP <i>opr</i> JMP <i>opr</i> JMP <i>opr,X</i> JMP <i>opr,X</i> JMP ,X	Unconditional Jump	PC ← Jump Address						DIR	BC	dd	2
							EXT	CC	hh ll	3	
							IX2	DC	ee ff	4	
							IX1	EC	ff	3	
							IX	FC		2	
JSR <i>opr</i> JSR <i>opr</i> JSR <i>opr,X</i> JSR <i>opr,X</i> JSR ,X	Jump to Subroutine	PC ← (PC) + n (n = 1, 2, or 3) Push (PCL); SP ← (SP) - 1 Push (PCH); SP ← (SP) - 1 PC ← Effective Address						DIR	BD	dd	5
							EXT	CD	hh ll	6	
							IX2	DD	ee ff	7	
							IX1	ED	ff	6	
							IX	FD		5	
LDA # <i>opr</i> LDA <i>opr</i> LDA <i>opr</i> LDA <i>opr,X</i> LDA <i>opr,X</i> LDA ,X	Load Accumulator with Memory Byte	A ← (M)						IMM	A6	ii	2
							DIR	B6	dd	3	
							EXT	C6	hh ll	4	
							IX2	D6	ee ff	5	
							IX1	E6	ff	4	
							IX	F6		3	
LDX # <i>opr</i> LDX <i>opr</i> LDX <i>opr</i> LDX <i>opr,X</i> LDX <i>opr,X</i> LDX ,X	Load Index Register with Memory Byte	X ← (M)						IMM	AE	ii	2
							DIR	BE	dd	3	
							EXT	CE	hh ll	4	
							IX2	DE	ee ff	5	
							IX1	EE	ff	4	
							IX	FE		3	
LSL <i>opr</i> LSLA LSLX LSL <i>opr,X</i> LSL ,X	Logical Shift Left (Same as ASL)							DIR	38	dd	5
							INH	48		3	
							INH	58		3	
							IX1	68	ff	6	
							IX	78		5	
LSR <i>opr</i> LSRA LSRX LSR <i>opr,X</i> LSR ,X	Logical Shift Right							DIR	34	dd	5
							INH	44		3	
							INH	54		3	
							IX1	64	ff	6	
							IX	74		5	
MUL	Unsigned Multiply	X : A ← (X) × (A)	0				0	INH	42		11
NEG <i>opr</i> NEGA NEGX NEG <i>opr,X</i> NEG ,X	Negate Byte (Two's Complement)	$M \leftarrow -(M) = \$00 - (M)$ $A \leftarrow -(A) = \$00 - (A)$ $X \leftarrow -(X) = \$00 - (X)$ $M \leftarrow -(M) = \$00 - (M)$ $M \leftarrow -(M) = \$00 - (M)$						DIR	30	dd	5
							INH	40		3	
							INH	50		3	
							IX1	60	ff	6	
							IX	70		5	
NOP	No Operation							INH	9D		2
ORA # <i>opr</i> ORA <i>opr</i> ORA <i>opr</i> ORA <i>opr,X</i> ORA <i>opr,X</i> ORA ,X	Logical OR Accumulator with Memory	A ← (A) ∨ (M)						IMM	AA	ii	2
							DIR	BA	dd	3	
							EXT	CA	hh ll	4	
							IX2	DA	ee ff	5	
							IX1	EA	ff	4	
							IX	FA		3	

Table 9. Instruction Set Summary (Continued)

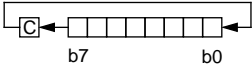
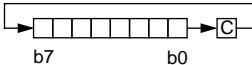
Source Form	Operation	Description	Effect on CCR					Address Mode	Opcode	Operand	Cycles
			H	I	N	Z	C				
ROL <i>opr</i> ROLA ROLX ROL <i>opr,X</i> ROL ,X	Rotate Byte Left through Carry Bit		—	—	↕x	↕	↕	DIR INH INH IX1 IX	39 49 59 69 79	dd ff	5 3 3 6 5
ROR <i>opr</i> RORA RORX ROR <i>opr,X</i> ROR ,X	Rotate Byte Right through Carry Bit		—	—	↕x	↕	↕	DIR INH INH IX1 IX	36 46 56 66 76	dd ff	5 3 3 6 5
RSP	Reset Stack Pointer	SP ← \$00FF	—	—	—	—	—	INH	9C		2
RTI	Return from Interrupt	SP ← (SP) + 1; Pull (CCR) SP ← (SP) + 1; Pull (A) SP ← (SP) + 1; Pull (X) SP ← (SP) + 1; Pull (PCH) SP ← (SP) + 1; Pull (PCL)	↕x	↕	↕	↕	↕	INH	80		9
RTS	Return from Subroutine	SP ← (SP) + 1; Pull (PCH) SP ← (SP) + 1; Pull (PCL)	—	—	—	—	—	INH	81		6
SBC # <i>opr</i> SBC <i>opr</i> SBC <i>opr</i> SBC <i>opr,X</i> SBC <i>opr,X</i> SBC ,X	Subtract Memory Byte and Carry Bit from Accumulator	A ← (A) – (M) – (C)	—	—	⊗	↕	↕	IMM DIR EXT IX2 IX1 IX	A2 B2 C2 D2 E2 F2	ii dd hh ll ee ff ff	2 3 4 5 4 3
SEC	Set Carry Bit	C ← 1	—	—	—	—	1	INH	99		2
SEI	Set Interrupt Mask	I ← 1	—	1	—	—	—	INH	9B		2
STA <i>opr</i> STA <i>opr</i> STA <i>opr,X</i> STA <i>opr,X</i> STA ,X	Store Accumulator in Memory	M ← (A)	—	—	↕x	↕	—	DIR EXT IX2 IX1 IX	B7 C7 D7 E7 F7	dd hh ll ee ff ff	4 5 6 5 4
STOP	Stop Oscillator and Enable IRQ Pin		—	0	—	—	—	INH	8E		2
STX <i>opr</i> STX <i>opr</i> STX <i>opr,X</i> STX <i>opr,X</i> STX ,X	Store Index Register In Memory	M ← (X)	—	—	↕x	↕	—	DIR EXT IX2 IX1 IX	BF CF DF EF FF	dd hh ll ee ff ff	4 5 6 5 4
SUB # <i>opr</i> SUB <i>opr</i> SUB <i>opr</i> SUB <i>opr,X</i> SUB <i>opr,X</i> SUB ,X	Subtract Memory Byte from Accumulator	A ← (A) – (M)	—	—	↕	↕	↕	IMM DIR EXT IX2 IX1 IX	A0 B0 C0 D0 E0 F0	ii dd hh ll ee ff ff	2 3 4 5 4 3

Table 9. Instruction Set Summary (Continued)

Source Form	Operation	Description	Effect on CCR					Address Mode	Opcode	Operand	Cycles
			H	I	N	Z	C				
SWI	Software Interrupt	PC ← (PC) + 1; Push (PCL) SP ← (SP) - 1; Push (PCH) SP ← (SP) - 1; Push (X) SP ← (SP) - 1; Push (A) SP ← (SP) - 1; Push (CCR) SP ← (SP) - 1; I ← 1 PCH ← Interrupt Vector High Byte PCL ← Interrupt Vector Low Byte	—	1	—	—	—	INH	83		10
TAX	Transfer Accumulator to Index Register	X ← (A)	—	—	—	—	—	INH	97		2
TST <i>opr</i> TSTA TSTX TST <i>opr,X</i> TST <i>,X</i>	Test Memory Byte for Negative or Zero	(M) - \$00	—	—	↓	↓	—	DIR INH INH IX1 IX	3D 4D 5D 6D 7D	dd ff	4 3 3 5 4
TXA	Transfer Index Register to Accumulator	A ← (X)	—	—	—	—	—	INH	9F		2
WAIT	Stop CPU Clock and Enable Interrupts		—	0x	—	—	—	INH	8F		2

- A Accumulator
- C Carry/borrow flag
- CCR Condition code register
- dd Direct address of operand
- dd rr Direct address of operand and relative offset of branch instruction
- DIR Direct addressing mode
- ee ff High and low bytes of offset in indexed, 16-bit offset addressing
- EXT Extended addressing mode
- ff Offset byte in indexed, 8-bit offset addressing
- H Half-carry flag
- hh ll High and low bytes of operand address in extended addressing
- I Interrupt mask
- ii Immediate operand byte
- IMM Immediate addressing mode
- INH Inherent addressing mode
- IX Indexed, no offset addressing mode
- IX1 Indexed, 8-bit offset addressing mode
- IX2 Indexed, 16-bit offset addressing mode
- M Memory location
- N Negative flag
- n Any bit
- opr* Operand (one or two bytes)
- PC Program counter
- PCH Program counter high byte
- PCL Program counter low byte
- REL Relative addressing mode
- rel* Relative program counter offset byte
- rr Relative program counter offset byte
- SP Stack pointer
- X Index register
- Z Zero flag
- # Immediate value
- ^ Logical AND
- v Logical OR
- ⊕ Logical EXCLUSIVE OR
- () Contents of
- () Negation (two's complement)
- ← Loaded with
- ? If
- : Concatenated with
- ↓ Set or cleared
- Not affected

Opcode Map

The opcode map is provided in [Table 10](#).

Table 10. Opcode Map

MSB LSB	Bit Manipulation		Branch		Read-Modify-Write				Control			Register/Memory						MSB LSB
	DIR	DIR	REL	REL	DIR	INH	INH	IX1	IX	INH	INH	IMM	DIR	EXT	IX2	IX1	IX	
0	5 DIR	5 DIR	3 REL	2	3	4	5	6	7	8	9	A	B	C	D	E	F	0
1	5 DIR	5 DIR	3 REL	3	5 DIR	3 INH	3 INH	6 IX1	NEG IX1	9	9	2 IMM	3 DIR	4 EXT	5 SUB	4 SUB	3 SUB	0
2	5 DIR	5 DIR	3 REL	3	5 DIR	3 INH	3 INH	6 IX1	NEG IX1	9	9	2 IMM	3 DIR	4 EXT	5 SUB	4 SUB	3 SUB	1
3	5 DIR	5 DIR	3 REL	3	5 DIR	3 INH	3 INH	6 IX1	NEG IX1	9	9	2 IMM	3 DIR	4 EXT	5 SUB	4 SUB	3 SUB	2
4	5 DIR	5 DIR	3 REL	3	5 DIR	3 INH	3 INH	6 IX1	NEG IX1	9	9	2 IMM	3 DIR	4 EXT	5 SUB	4 SUB	3 SUB	3
5	5 DIR	5 DIR	3 REL	3	5 DIR	3 INH	3 INH	6 IX1	NEG IX1	9	9	2 IMM	3 DIR	4 EXT	5 SUB	4 SUB	3 SUB	4
6	5 DIR	5 DIR	3 REL	3	5 DIR	3 INH	3 INH	6 IX1	NEG IX1	9	9	2 IMM	3 DIR	4 EXT	5 SUB	4 SUB	3 SUB	5
7	5 DIR	5 DIR	3 REL	3	5 DIR	3 INH	3 INH	6 IX1	NEG IX1	9	9	2 IMM	3 DIR	4 EXT	5 SUB	4 SUB	3 SUB	6
8	5 DIR	5 DIR	3 REL	3	5 DIR	3 INH	3 INH	6 IX1	NEG IX1	9	9	2 IMM	3 DIR	4 EXT	5 SUB	4 SUB	3 SUB	7
9	5 DIR	5 DIR	3 REL	3	5 DIR	3 INH	3 INH	6 IX1	NEG IX1	9	9	2 IMM	3 DIR	4 EXT	5 SUB	4 SUB	3 SUB	8
A	5 DIR	5 DIR	3 REL	3	5 DIR	3 INH	3 INH	6 IX1	NEG IX1	9	9	2 IMM	3 DIR	4 EXT	5 SUB	4 SUB	3 SUB	9
B	5 DIR	5 DIR	3 REL	3	5 DIR	3 INH	3 INH	6 IX1	NEG IX1	9	9	2 IMM	3 DIR	4 EXT	5 SUB	4 SUB	3 SUB	A
C	5 DIR	5 DIR	3 REL	3	5 DIR	3 INH	3 INH	6 IX1	NEG IX1	9	9	2 IMM	3 DIR	4 EXT	5 SUB	4 SUB	3 SUB	B
D	5 DIR	5 DIR	3 REL	3	5 DIR	3 INH	3 INH	6 IX1	NEG IX1	9	9	2 IMM	3 DIR	4 EXT	5 SUB	4 SUB	3 SUB	C
E	5 DIR	5 DIR	3 REL	3	5 DIR	3 INH	3 INH	6 IX1	NEG IX1	9	9	2 IMM	3 DIR	4 EXT	5 SUB	4 SUB	3 SUB	D
F	5 DIR	5 DIR	3 REL	3	5 DIR	3 INH	3 INH	6 IX1	NEG IX1	9	9	2 IMM	3 DIR	4 EXT	5 SUB	4 SUB	3 SUB	E
																		F

MSB	LSB	MSB of Opcode in Hexadecimal	Number of Cycles
0	0	0	5
3	3	BRSET0	DIR

MSB	LSB	MSB of Opcode in Hexadecimal	Number of Cycles
0	0	0	5
3	3	BRSET0	DIR

INH = Inherent
 IMM = Immediate
 DIR = Direct
 EXT = Extended
 REL = Relative
 IX = Indexed, No Offset
 IX1 = Indexed, 8-Bit Offset
 IX2 = Indexed, 16-Bit Offset

Resets and Interrupts

Contents

Resets	50
Power-On Reset	50
External Reset	51
COP Watchdog Reset	52
Low-Voltage Protection	52
Interrupts	53
Software Interrupt	53
External Interrupt	53
Timer Interrupts	55
Input Capture Interrupt	55
Output Compare Interrupt	55
Timer Overflow Interrupt	56
Interrupt Processing	56

Resets

A reset immediately stops the operation of the instruction being executed, initializes certain control bits, and loads the program counter with a user-defined reset vector address. The following sources can generate resets:

- Power-on reset (POR) circuit
- $\overline{\text{RESET}}$ pin
- COP watchdog

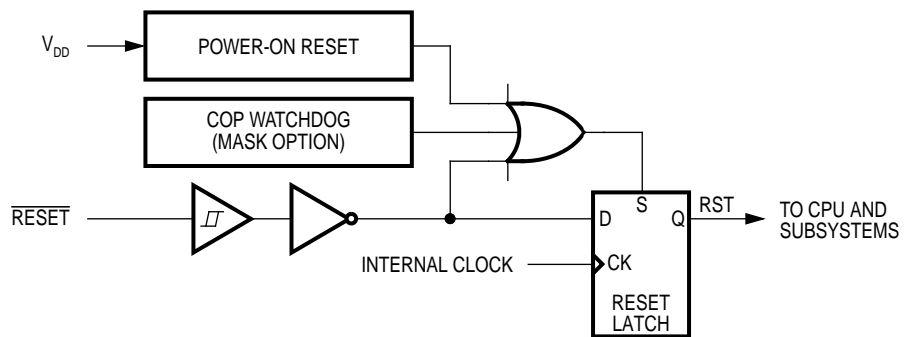


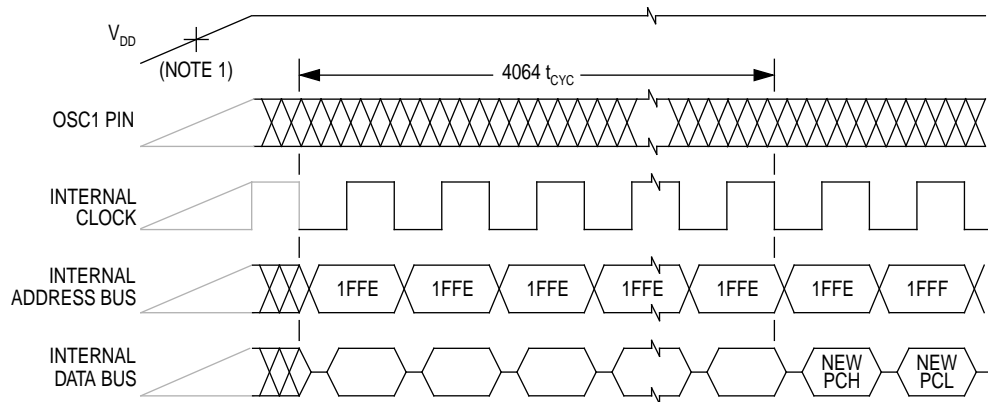
Figure 17. Reset Sources

Power-On Reset

A positive transition on the V_{DD} pin generates a power-on reset.

NOTE: *The power-on reset is strictly for power-up conditions and cannot be used to detect drops in power supply voltage.*

A 4064 t_{CYC} (internal clock cycle) delay after the oscillator becomes active allows the clock generator to stabilize. If the $\overline{\text{RESET}}$ pin is at logic 0 at the end of 4064 t_{CYC} , the MCU remains in the reset condition until the signal on the $\overline{\text{RESET}}$ pin goes to logic 1.

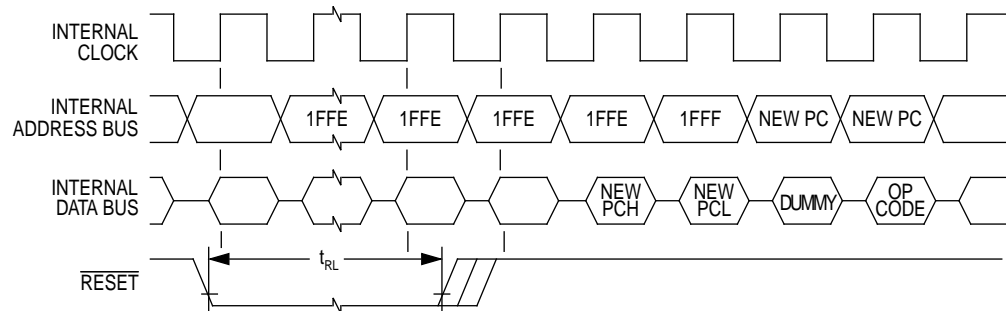


- NOTES:
1. Power-on reset threshold is typically between 1 V and 2 V.
 2. Internal clock, internal address bus, and internal data bus are not available externally.

Figure 18. Power-On Reset Timing

External Reset

A logic 0 applied to the $\overline{\text{RESET}}$ pin for one and one-half t_{CYC} generates an external reset. A Schmitt trigger senses the logic level at the $\overline{\text{RESET}}$ pin.



- NOTES:
1. Internal clock, internal address bus, and internal data bus are not available externally.
 2. The next rising edge of the internal clock after the rising edge of $\overline{\text{RESET}}$ initiates the reset sequence.

Figure 19. External Reset Timing

Table 11. External Reset Timing

Characteristic	Symbol	Min	Max	Unit
$\overline{\text{RESET}}$ Pulse Width	t _{RL}	1.5	—	t _{CYC}

**COP Watchdog
Reset**

A timeout of the COP watchdog generates a COP reset. The COP watchdog is part of a software error detection system and must be cleared periodically to start a new timeout period. To clear the COP watchdog and prevent a COP reset, write a logic 0 to bit 0 (COPC) of the COP register at location \$1FF0.

Low-Voltage Protection

A drop in power supply voltage below the minimum operating V_{DD} voltage is called a brownout condition. A brownout while the MCU is in a non-reset state can corrupt MCU operation and necessitate a power-on reset to resume operation.

The best protection against brownout is an undervoltage sensing circuit that pulls the $\overline{\text{RESET}}$ pin low when it detects a low-power supply voltage. The undervoltage sensing circuit may be made of discrete components or an integrated circuit can be used.

For information about brownout and the COP watchdog, see the [Computer Operating Properly Watchdog](#) section.

Interrupts

The following sources can generate interrupts:

- SWI instruction
- $\overline{\text{IRQ}}$ pin
- Capture/compare timer

An interrupt temporarily stops normal program execution to process a particular event. An interrupt does not stop the operation of the instruction being executed, but takes effect when the current instruction completes its execution. Interrupt processing automatically saves the CPU registers on the stack and loads the program counter with a user-defined interrupt vector address.

Software Interrupt

The software interrupt (SWI) instruction causes a non-maskable interrupt.

External Interrupt

An interrupt signal on the $\overline{\text{IRQ}}$ pin latches an external interrupt request. When the CPU completes its current instruction, it tests the IRQ latch. If the IRQ latch is set, the CPU then tests the I bit in the condition code register. If the I bit is clear, the CPU then begins the interrupt sequence.

The CPU clears the IRQ latch during interrupt processing, so that another interrupt signal on the $\overline{\text{IRQ}}$ pin can latch another interrupt request during the interrupt service routine. As soon as the I bit is cleared during the return from interrupt, the CPU can recognize the new interrupt request. **Figure 20** shows the $\overline{\text{IRQ}}$ pin interrupt logic.

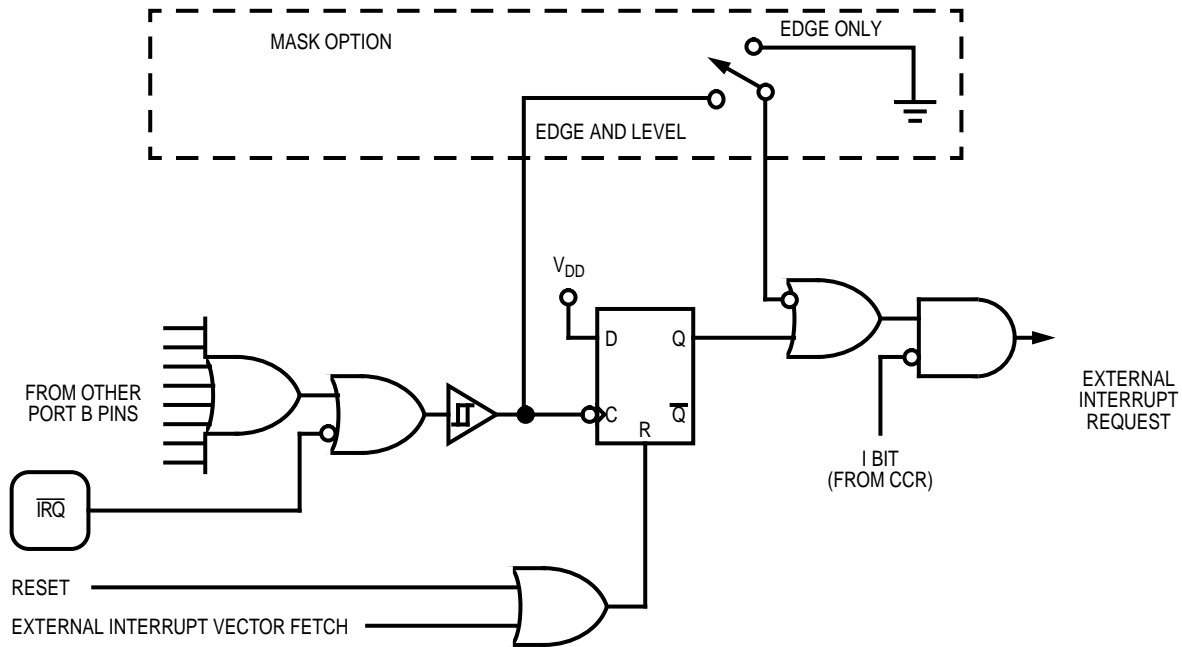


Figure 20. External Interrupt Logic

Setting the I bit in the condition code register disables external interrupts.

Interrupt triggering sensitivity of the $\overline{\text{IRQ}}$ pin is a mask option. The $\overline{\text{IRQ}}$ pin can be negative-edge triggered or negative-edge- and low-level triggered. The level-sensitive triggering option allows multiple external interrupt sources to be wire-ORed to the $\overline{\text{IRQ}}$ pin. An external interrupt request, shown in **Figure 21**, is latched as long as any source is holding the $\overline{\text{IRQ}}$ pin low.

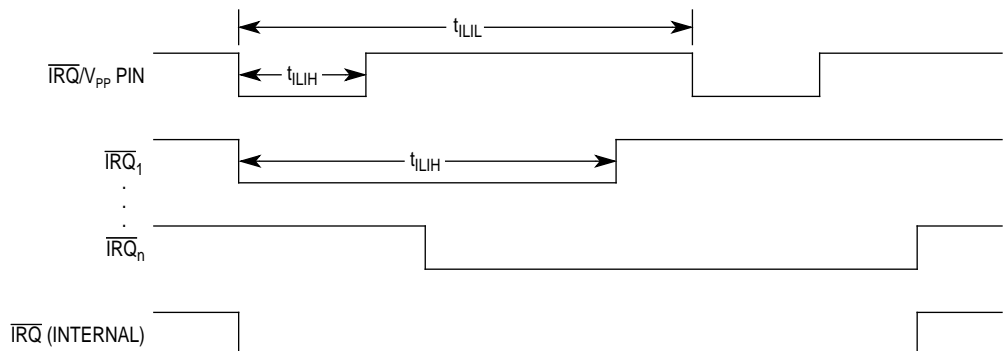


Figure 21. External Interrupt Timing

Table 12. External Interrupt Timing ($V_{DD} = 5.0 \text{ Vdc}$)⁽¹⁾

Characteristic	Symbol	Min	Max	Unit
Interrupt Pulse Width Low (Edge-Triggered)	t_{ILIH}	125	—	ns
Interrupt Pulse Period	t_{ILIL}	Note ⁽²⁾	—	t_{CYC}

1. $V_{DD} = 5.0 \text{ Vdc} \pm 10\%$, $V_{SS} = 0 \text{ Vdc}$, $T_A = T_L$ to T_H

2. The minimum t_{ILIL} should not be less than the number of interrupt service routine cycles plus $19 t_{CYC}$.

Table 13. External Interrupt Timing ($V_{DD} = 3.3 \text{ Vdc}$)⁽¹⁾

Characteristic	Symbol	Min	Max	Unit
Interrupt Pulse Width Low (Edge-Triggered)	t_{ILIH}	250	—	ns
Interrupt Pulse Period	t_{ILIL}	Note ⁽²⁾	—	t_{CYC}

1. $V_{DD} = 3.3 \text{ Vdc} \pm 10\%$, $V_{SS} = 0 \text{ Vdc}$, $T_A = T_L$ to T_H

2. The minimum t_{ILIL} should not be less than the number of interrupt service routine cycles plus $19 t_{CYC}$.

Timer Interrupts

The capture/compare timer can generate the following interrupts:

- Input capture interrupt
- Output compare interrupt
- Timer overflow interrupt

Setting the I bit in the condition code register disables timer interrupts.

Input Capture Interrupt

An input capture interrupt request occurs if the input capture flag, ICF, becomes set while the input capture interrupt enable bit, ICIE, is also set. ICF is in the timer status register, and ICIE is in the timer control register.

Output Compare Interrupt

An output compare interrupt request occurs if the output compare flag, OCF, becomes set while the output compare interrupt enable bit, OCIE, is also set. OCF is in the timer status register, and OCIE is in the timer control register.

Timer Overflow Interrupt

A timer overflow interrupt request occurs if the timer overflow flag, TOF, becomes set while the timer overflow interrupt enable bit, TOIE, is also set. TOF is in the timer status register, and TOIE is in the timer control register.

Interrupt Processing

The CPU takes the following actions to begin servicing an interrupt:

- Stores the CPU registers on the stack in the order shown in **Figure 22**
- Sets the I bit in the condition code register to prevent further interrupts
- Loads the program counter with the contents of the appropriate interrupt vector locations:
 - \$1FFC and \$1FFD (software interrupt vector)
 - \$1FFA and \$1FFB (external interrupt vector)
 - \$1FF8 and \$1FF9 (timer interrupt vector)

The return from interrupt (RTI) instruction causes the CPU to recover the CPU registers from the stack as shown in **Figure 22**.

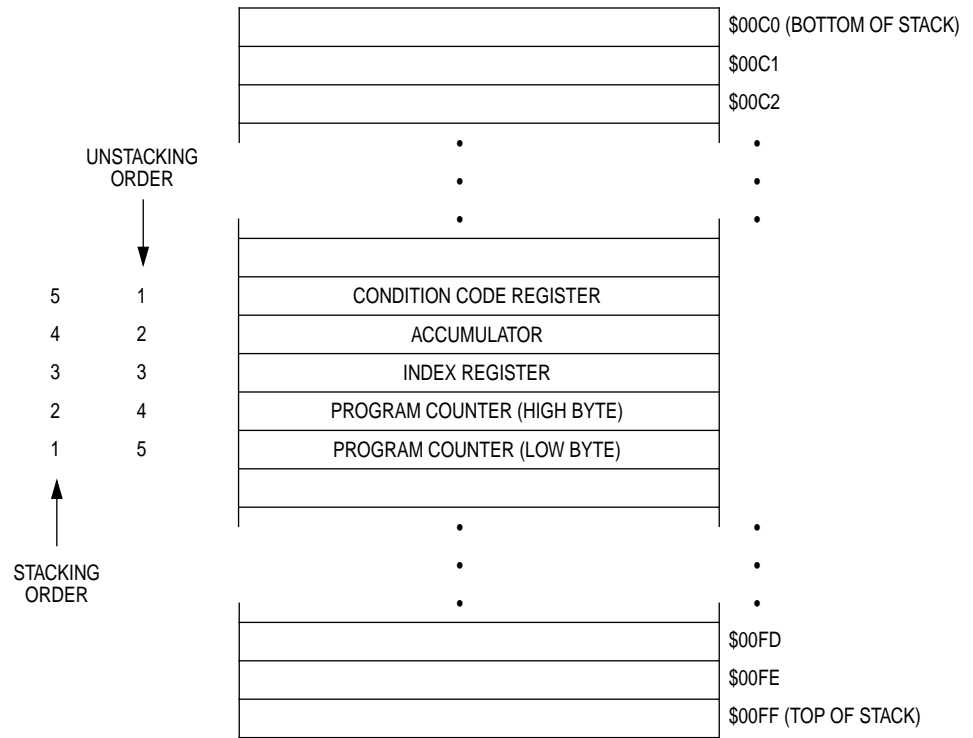


Figure 22. Interrupt Stacking Order

Table 14. Reset/Interrupt Vector Addresses

Function	Source	Local Mask	Global Mask	Priority (1 = Highest)	Vector Address
Reset	Power-On RESET Pin COP Watchdog ⁽¹⁾	None	None	1	\$1FFE–\$1FFF
			None	1	
			None	1	
Software Interrupt (SWI)	User Code	None	None	Same Priority as Instruction	\$1FFC–\$1FFD
External Interrupt	IRQ Pin	None	I Bit	2	\$1FFA–\$1FFB
Timer Interrupts	ICF Bit OCF Bit TOF Bit	ICIE Bit OCIE Bit TOIE Bit	I Bit	3	\$1FF8–\$1FF9

1. The COP watchdog is a mask option.

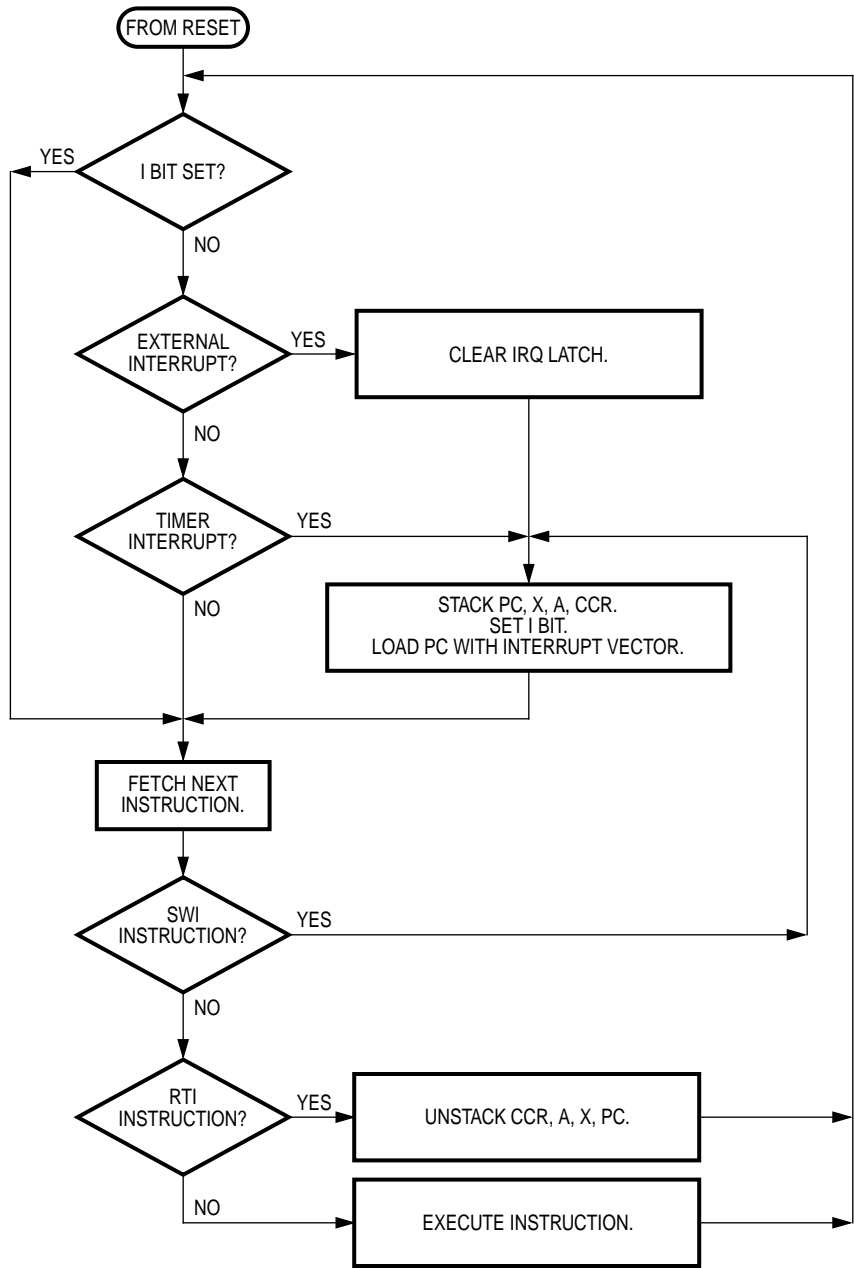


Figure 23. Interrupt Flowchart

Contents

Stop Mode	59
Halt Mode	61
Wait Mode	63

Stop Mode

The STOP instruction puts the MCU in its lowest power-consumption mode and has the following effects on the MCU:

- Stops the internal oscillator, the CPU clock, and the internal clock, turning off the capture/compare timer, the COP watchdog, the SIOF, and the ADC
- Clears the I bit in the condition code register, enabling external interrupts
- Clears the ICIE, OCIE, and TOIE bits in the timer control register, disabling further timer interrupts

The STOP instruction does not affect any other registers or any I/O lines.

The following events bring the MCU out of stop mode:

- An external interrupt signal on the $\overline{\text{IRQ}}$ pin or a high-to-low transition on the $\overline{\text{IRQ}}$ pin loads the program counter with the contents of locations \$1FFA and \$1FFB. The timer resumes counting from the last value before the STOP instruction.

- External reset — A logic 0 on the $\overline{\text{RESET}}$ pin resets the MCU and loads the program counter with the contents of locations \$1FFE and \$1FFF. The timer begins counting from \$FFFC.

When the MCU exits stop mode, processing resumes after a stabilization delay of 4064 oscillator cycles.

An active edge on the PD7/TCAP pin during stop mode sets the ICF flag when an external interrupt brings the MCU out of stop mode. An external interrupt also latches the value in the timer registers into the input capture registers.

If a reset brings the MCU out of stop mode, then an active edge on the PD7/TCAP pin during stop mode has no effect on the ICF flag or the input capture registers.

See **Figure 24** for stop recovery timing information.

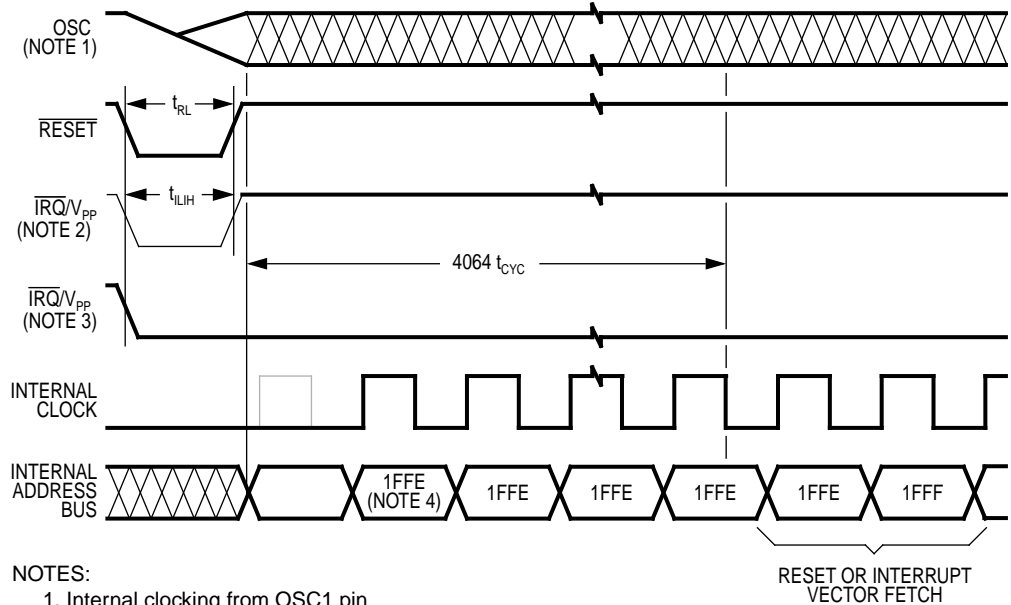


Figure 24. Stop Recovery Timing

Halt Mode

NOTE: *Halt mode is **NOT** designed for intentional use. Halt mode is only provided to keep the COP watchdog timer active in the event a STOP instruction is executed inadvertently. This mode of operation is usually achieved by invoking wait mode.*

Execution of the STOP instruction when STOP is disabled mask option is selected placing the MCU in this low-power mode. Halt mode consumes the same amount of power as wait mode (both halt and wait modes consume more power than stop mode).

In halt mode, the internal clock is halted, suspending all processor and internal bus activity. Internal timer clocks remain active, permitting interrupts to be generated from the 16-bit timer or a reset to be generated from the COP watchdog timer. Execution of the STOP instruction automatically clears the I bit in the condition code register, enabling the $\overline{\text{IRQ}}$ external interrupt. All other registers, memory, and input/output lines remain in their previous states.

If the 16-bit timer interrupt is enabled, it will cause the processor to exit the halt mode and resume normal operation. The halt mode also can be exited when an $\overline{\text{IRQ}}$ external interrupt or external $\overline{\text{RESET}}$ occurs. When exiting the halt mode, the internal clock will resume after a delay of one to 4064 internal clock cycles. This varied delay time is the result of the halt mode exit circuitry testing the oscillator stabilization delay timer (a feature of the stop mode), which has been free-running (a feature of the wait mode).

Figure 25 shows the sequence of events caused by the STOP/HALT instruction.

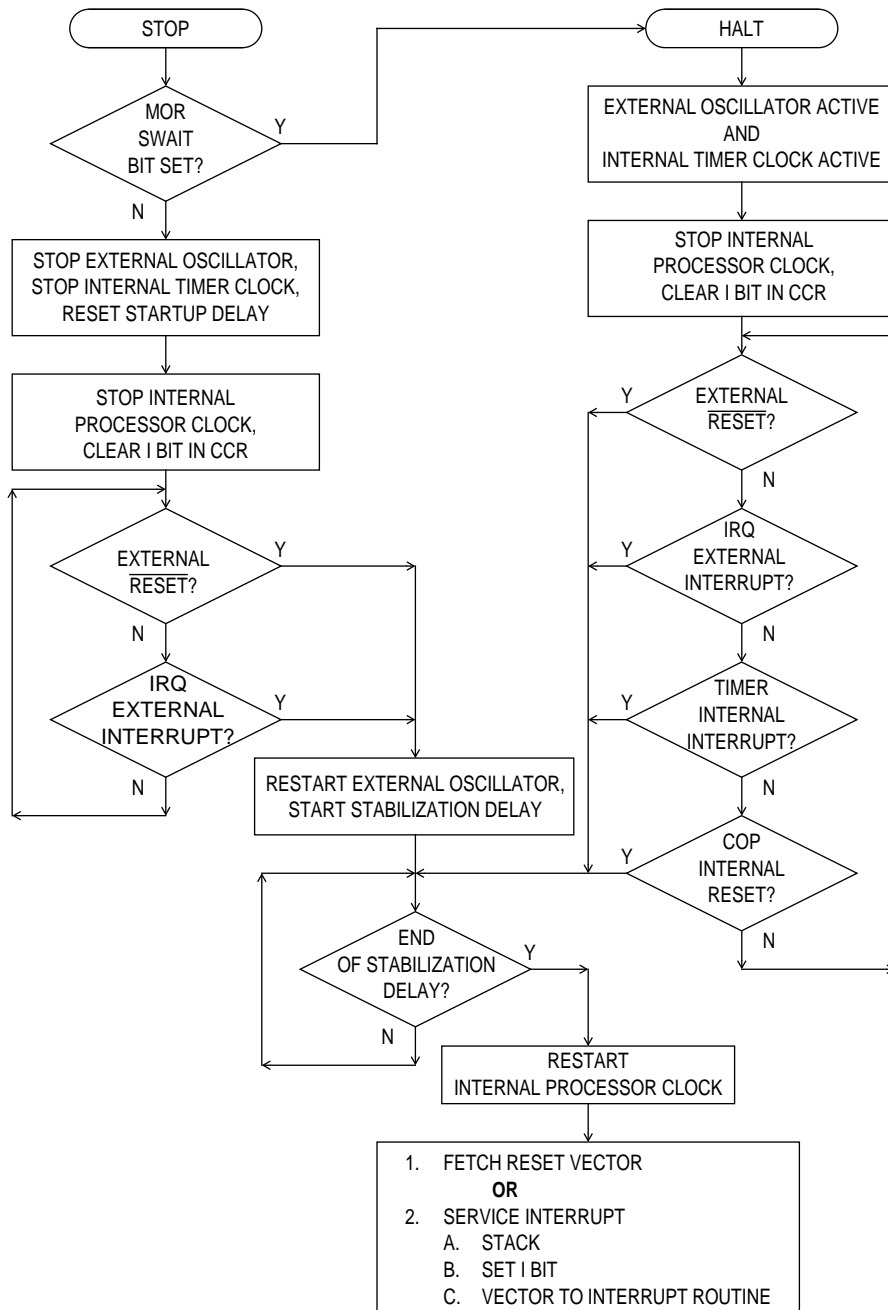


Figure 25. STOP/HALT Flowcharts

Wait Mode

The WAIT instruction puts the MCU in an intermediate power-consumption mode and has the following effects on the MCU:

- Clears the I bit in the condition code register, enabling interrupts
- Stops the CPU clock, but allows the internal clock to drive the capture/compare timer, the COP watchdog, and the ADC

The WAIT instruction does not affect any other registers or any I/O lines.

The following conditions restart the CPU clock and bring the MCU out of wait mode:

- External interrupt — A high-to-low transition on the \overline{IRQ} pin loads the program counter with the contents of locations \$1FFA and \$1FFB.
- Timer interrupt — Input capture, output compare, and timer overflow interrupt requests load the program counter with the contents of locations \$1FF8 and \$1FF9.
- COP watchdog reset — A timeout of the COP watchdog resets the MCU and loads the program counter with the contents of locations \$1FFE and \$1FFF. Software can enable timer interrupts so that the MCU can periodically exit wait mode to reset the COP watchdog.
- External reset — A logic 0 on the \overline{RESET} pin resets the MCU and loads the program counter with the contents of locations \$1FFE and \$1FFF.

Figure 26 shows the sequence of events caused by the WAIT instruction.

Figure 27 shows the effect of the STOP and WAIT instructions on the CPU clock and the timer clock.

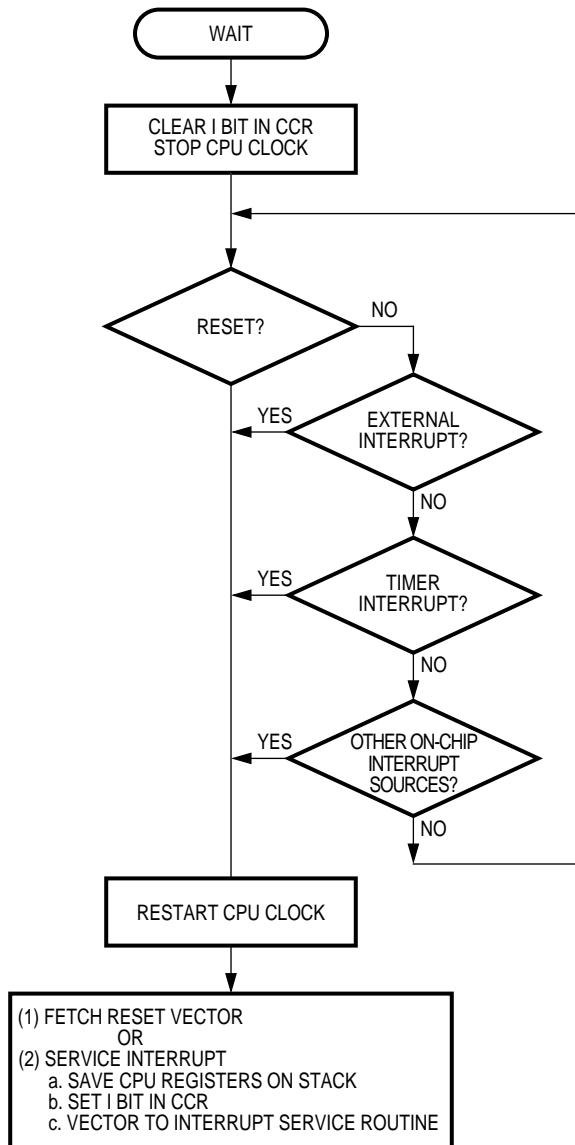


Figure 26. WAIT Instruction Flowchart

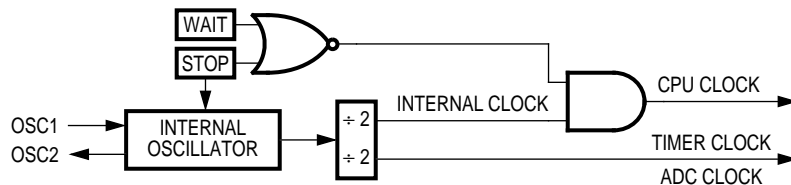


Figure 27. STOP/WAIT Clock Logic

Contents

Introduction66

Port A.....67

 Port A Data Register (PORTA)67

 Data Direction Register A (DDRA)68

 Port A I/O Pin Interrupts/Pullups70

Port B.....70

 Port B Data Register (PORTB)70

 Data Direction Register B (DDRB)71

Port C73

 Port C Data Register (PORTC)73

 Data Direction Register C (DDRC)74

 PC0–PC1 High Current Sink/Source Capability75

Port D76

 Port D Data Register (PORTD)76

 Data Direction Register D (DDRD)77

Introduction

Twenty bidirectional pins and one input-only pin form four parallel input/output (I/O) ports. All the bidirectional port pins are programmable as inputs or outputs.

NOTE: Connect any unused I/O pins to an appropriate logic level, either V_{DD} or V_{SS} . Although the I/O ports do not require termination for proper operation, termination reduces excess current consumption and the possibility of electrostatic damage.

Addr.	Name:	R/W	Bit 7	6	5	4	3	2	1	Bit 0
\$0000	Port A Data Register (PORTA)	Read: Write: Reset:	PA7	PA6	PA5	PA4	PA3	PA2	PA1	PA0
			Unaffected by reset							
\$0001	Port B Data Register (PORTB)	Read: Write: Reset:	PB7	PB6	PB5	0	0	0	0	0
			Unaffected by reset							
\$0002	Port C Data Register (PORTC)	Read: Write: Reset:	PC7	PC6	PC5	PC4	PC3	PC2	PC1	PC0
			Unaffected by reset							
\$0003	Port D Data Register (PORTD)	Read: Write: Reset:	PD7	0	PD5	1	0	0	0	0
			Unaffected by reset							
\$0004	Data Direction Register A (DDRA)	Read: Write: Reset:	DDRA7	DDRA6	DDRA5	DDRA4	DDRA3	DDRA2	DDRA1	DDRA0
			0	0	0	0	0	0	0	0
\$0005	Data Direction Register B (DDRB)	Read: Write: Reset:	DDRB7	DDRB6	DDRB5	0	0	0	0	0
			0	0	0	0	0	0	0	0

= Unimplemented

Figure 28. Parallel I/O Port Register Summary

Addr.	Name:	R/W	Bit 7	6	5	4	3	2	1	Bit 0
\$0006	Data Direction Register C (DDRC)	Read:	DDRC7	DDRC6	DDRC5	DDRC4	DDRC3	DDRC2	DDRC1	DDRC0
		Write:								
		Reset:	0	0	0	0	0	0	0	0
\$0007	Data Direction Register D (DDR D)	Read:	0	0	DDR D5	0	0	0	0	0
		Write:								
		Reset:	0	0	0	0	0	0	0	0

= Unimplemented

Figure 28. Parallel I/O Port Register Summary (Continued)

Port A

Port A is an 8-bit general-purpose I/O port.

Port A Data Register (PORTA)

The port A data register contains a latch for each of the eight port A pins.

\$0000	Bit 7	6	5	4	3	2	1	Bit 0
Read:	PA7	PA6	PA5	PA4	PA3	PA2	PA1	PA0
Write:								
Reset:	Unaffected by reset							

Figure 29. Port A Data Register (PORTA)

PA[7:0] — Port A Data Bits

These read/write bits are software programmable. Data direction of each port A pin is under the control of the corresponding bit in data direction register A. Reset has no effect on port A data.

Data Direction Register A (DDRA)

Data direction register A determines whether each port A pin is an input or an output.

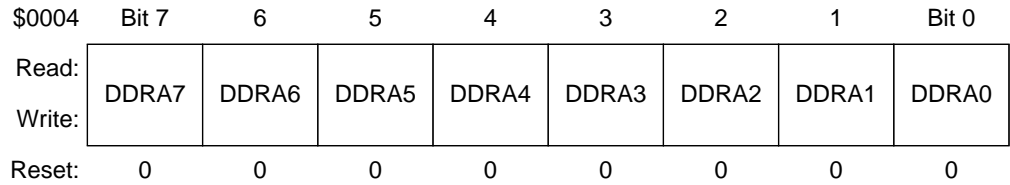


Figure 30. Data Direction Register A (DDRA)

DDRA[7:0] — Data Direction Register A Bits

These read/write bits control port A data direction. Reset clears DDRA[7:0], configuring all eight port A pins as inputs.

1 = Corresponding port A pin configured as output

0 = Corresponding port A pin configured as input

NOTE: Avoid glitches on port A pins by writing to the port A data register before changing data direction register A bits from 0 to 1.

Figure 31 shows the I/O logic of port A.

Writing a logic 1 to a DDRA bit enables the output buffer for the corresponding port A pin; a logic 0 disables the output buffer.

When bit DDRAx is a logic 1, reading address \$0000 reads the PAX data latch. When bit DDRAx is a logic 0, reading address \$0000 reads the voltage level on the pin. The data latch can always be written, regardless of the state of its data direction bit. Table 16 summarizes the operation of the port A pins.

Table 15. Port A Pin Operation

Data Direction Bit	I/O Pin Mode	Accesses to Data Bit	
		Read	Write
0	Input, Hi-Z ⁽¹⁾	Pin	Latch ⁽²⁾
1	Output	Latch	Latch

1. Hi-Z = high impedance

2. Writing affects data register, but does not affect input.

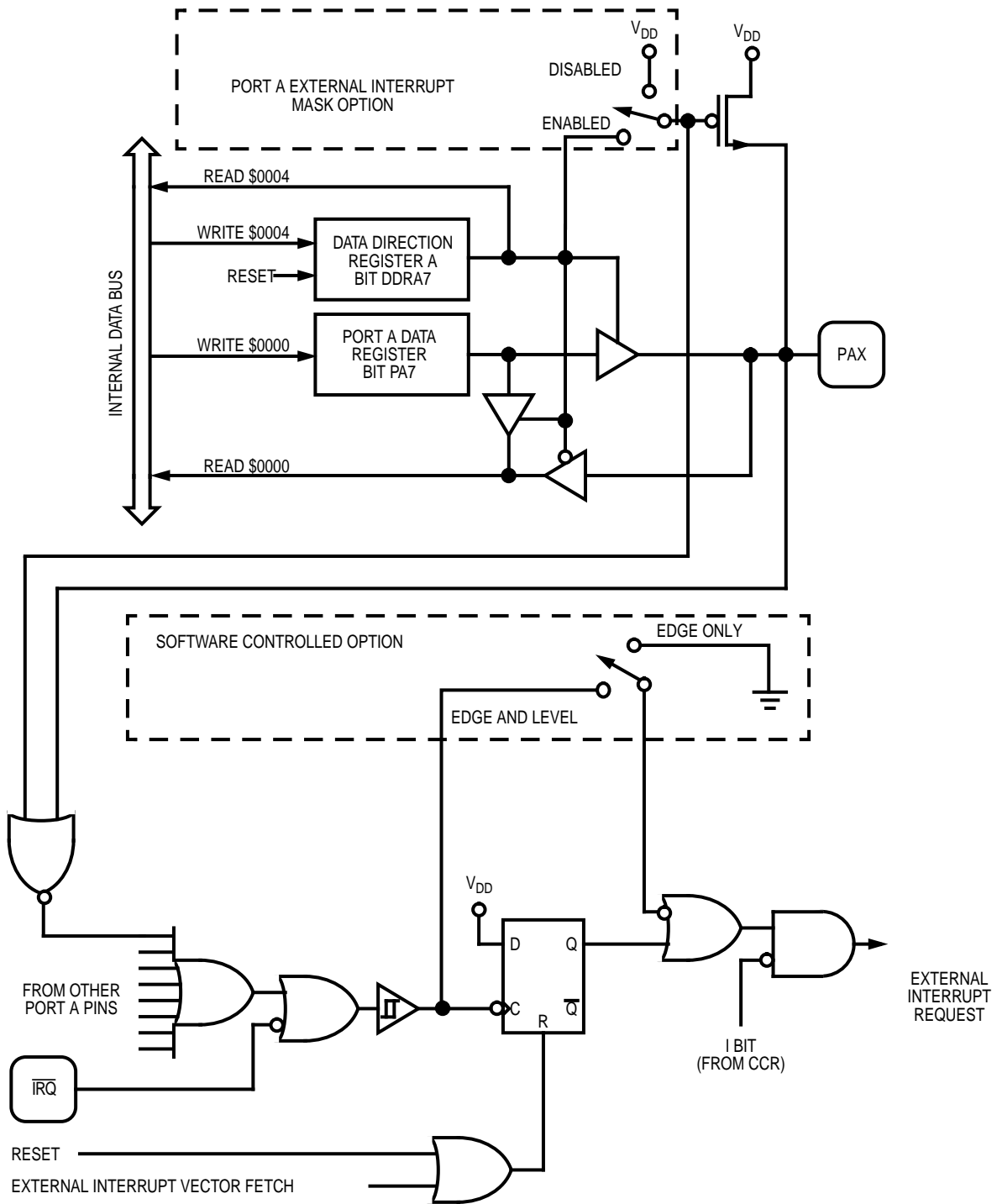


Figure 31. Port A I/O Logic

Parallel I/O Ports

Port A I/O Pin Interrupts/Pullups

If the port A interrupt/pullup enabled mask option is selected the PA0–PA7 pins will function as external interrupt pins when configured as inputs. (See [External Interrupt](#) on page 53.)

Port B

Port B is a 3-bit I/O port that shares its pins with the serial I/O port (SIOP).

NOTE: Do not use port B for general-purpose I/O while the SIOP is enabled.

Port B Data Register (PORTB)

The port B data register contains a latch for each of the three port B pins.

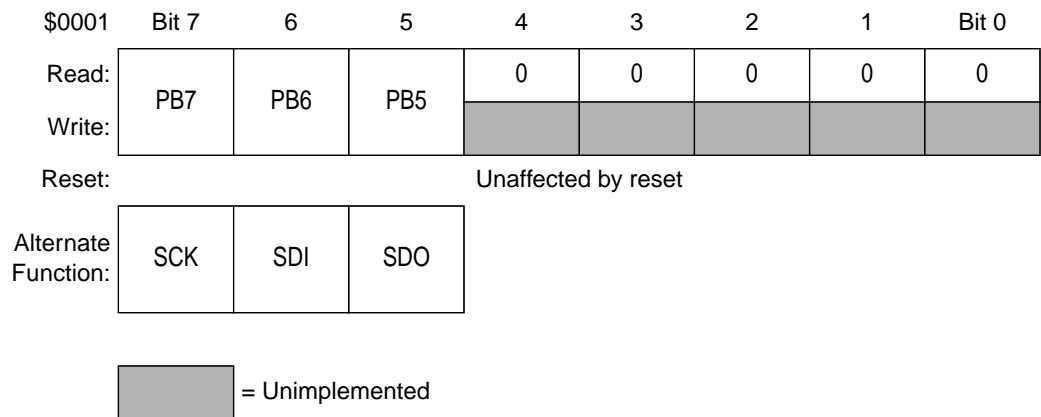


Figure 32. Port B Data Register (PORTB)

PB[7:5] — Port B Data Bits

These read/write bits are software programmable bits. Data direction of each port B pin is under the control of the corresponding bit in data direction register B. Reset has no effect on port B data.

NOTE: Writing to data direction register B does not affect the data direction of port B pins that are being used by the SIOP. However, data direction register B always determines whether reading port B returns the states of the latches or the states of the pins.

SCK — Serial Clock

When the SIOPI is enabled, SCK is the SIOPI clock output (in master mode) or the SIOPI clock input (in slave mode).

SDI — Serial Data Input

When the SIOPI is enabled, SDI is the SIOPI data input.

SDO — Serial Data Output

When the SIOPI is enabled, SDO is the SIOPI data output.

Data Direction Register B (DDRB)

Data direction register B determines whether each port B pin is an input or an output.

NOTE: Enabling and then disabling the SIOPI configures data direction register B for SIOPI operation and can also change the port B data register. After disabling the SIOPI, initialize data direction register B and the port B data register as your application requires.

	Bit 7	6	5	4	3	2	1	Bit 0
Read:	DDRB7	DDRB6	DDRB5	0	0	0	0	0
Write:								
Reset:	0	0	0	0	0	0	0	0


 = Unimplemented

Figure 33. Data Direction Register B (DDRB)

DDRB[7:5] — Data Direction Register B Bits

These read/write bits control port B data direction. Reset clears DDRB[7:5], configuring all three port B pins as inputs.

- 1 = Corresponding port B pin configured as output
- 0 = Corresponding port B pin configured as input

NOTE: Avoid glitches on port B pins by writing to the port B data register before changing data direction register B bits from 0 to 1.

Figure 34 shows the I/O logic of port B.

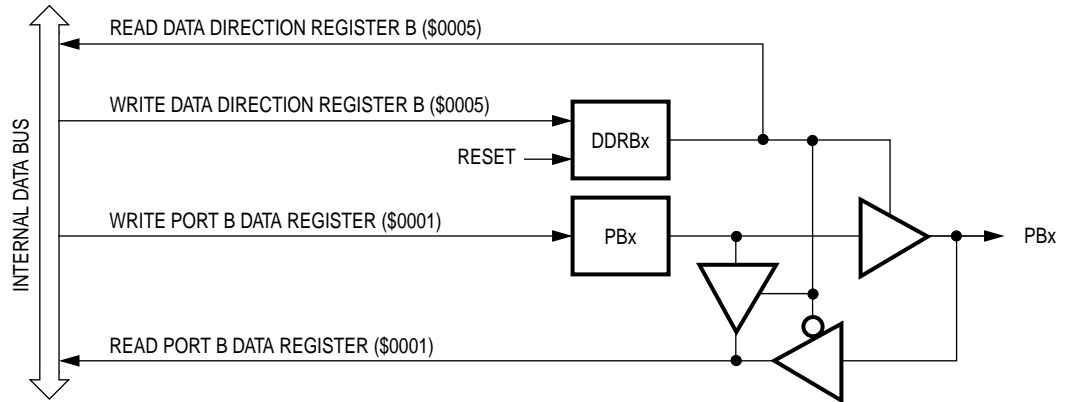


Figure 34. Port B I/O Logic

Writing a logic 1 to a DDRB bit enables the output buffer for the corresponding port B pin; a logic 0 disables the output buffer.

When bit DDRBx is a logic 1, reading address \$0001 reads the PBx data latch. When bit DDRBx is a logic 0, reading address \$0001 reads the voltage level on the pin. The data latch can always be written, regardless of the state of its data direction bit. [Table 16](#) summarizes the operation of the port B pins.

Table 16. Port B Pin Operation

Data Direction Bit	I/O Pin Mode	Accesses to Data Bit	
		Read	Write
0	Input, Hi-Z ⁽¹⁾	Pin	Latch ⁽²⁾
1	Output	Latch	Latch

1. Hi-Z = high impedance

2. Writing affects data register, but does not affect input.

Port C

Port C is an 8-bit I/O port that shares five of its pins with the A/D converter (ADC). The five shared pins are available for general-purpose I/O functions when the ADC is disabled.

Port C Data Register (PORTC)

The port C data register contains a latch for each of the eight port C pins.

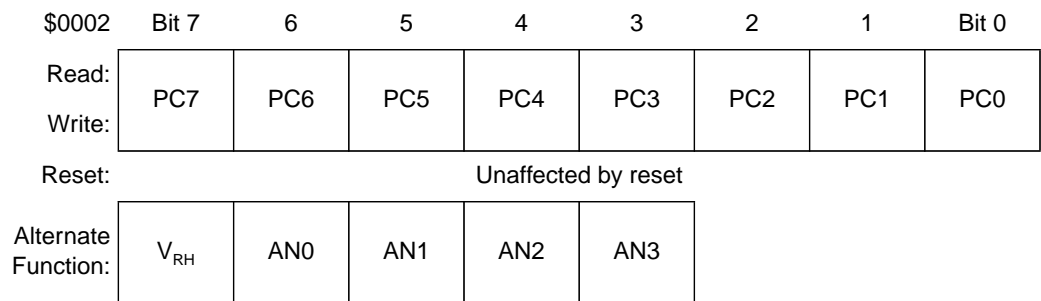


Figure 35. Port C Data Register (PORTC)

PC[7:0] — Port C Data Bits

These read/write bits are software programmable. Data direction of each port C pin is under the control of the corresponding bit in data direction register C. Reset has no effect on port C data.

V_{RH} — Voltage Reference High Bit

When the ADC is turned on, the PC7/ V_{RH} pin is configured as an input and is the positive ADC reference voltage.

AN[3:0] — Analog Input Bits

When the ADC is turned on, the AN0–AN3 pin that is selected as the analog input is configured as an input. Unused analog inputs can be used as digital inputs, but pins PC3/AN3, PC4/AN2, PC5/AN1, and PC6/AN0 cannot be used as digital outputs while the ADC is on. Only pins PC0, PC1, and PC2 can be used as digital outputs when the ADC is on.

The port C data register reads normally while the ADC is on, except that the bit corresponding to the currently selected ADC input pin reads as logic 0.

Writing to bits PC7–PC3 while the ADC is on can produce unpredictable ADC results.

Data Direction Register C (DDRC)

Data direction register C determines whether each port C pin is an input or an output.

\$0006	Bit 7	6	5	4	3	2	1	Bit 0
Read:	DDRC7	DDRC6	DDRC5	DDRC4	DDRC3	DDRC2	DDRC1	DDRC0
Write:								
Reset:	0	0	0	0	0	0	0	0

Figure 36. Data Direction Register C (DDRC)

DDRC[7:0] — Data Direction Register C Bits

These read/write bits control port C data direction. Reset clears DDRC[7:0], configuring all port C pins as inputs.

- 1 = Corresponding port C pin configured as output
- 0 = Corresponding port C pin configured as input

NOTE: *Avoid glitches on port C pins by writing to the port C data register before changing data direction register C bits from 0 to 1.*

Writing to bits DDRC7–DDRC3 while the ADC is on can produce unpredictable ADC results.

Figure 37 shows the I/O logic of port C.

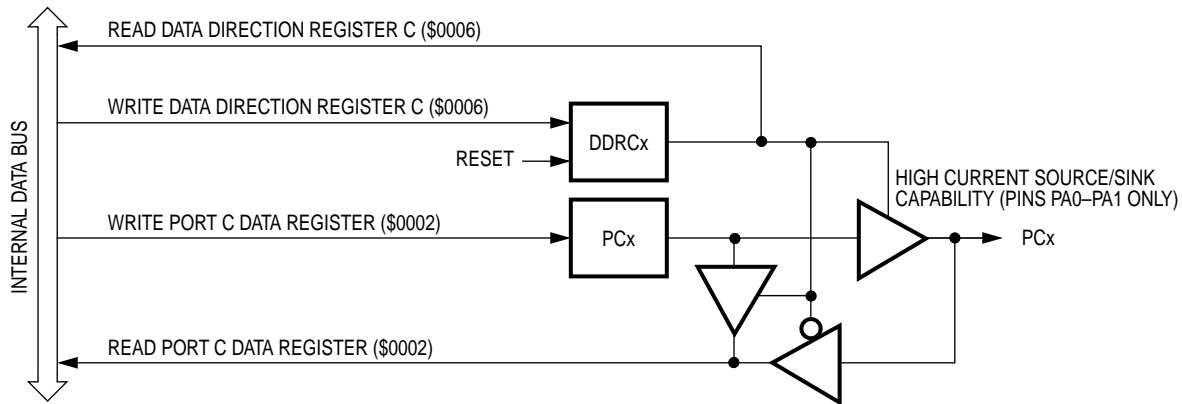


Figure 37. Port C I/O Logic

Writing a logic 1 to a DDRC bit enables the output buffer for the corresponding port C pin; a logic 0 disables the output buffer.

When bit DDRCx is a logic 1, reading address \$0002 reads the PCx data latch. When bit DDRCx is a logic 0, reading address \$0002 reads the voltage level on the pin. The data latch can always be written, regardless of the state of its data direction bit. [Table 16](#) summarizes the operation of the port C pins.

Table 17. Port C Pin Operation

Data Direction Bit	I/O Pin Mode	Accesses to Data Bit	
		Read	Write
0	Input, Hi-Z ⁽¹⁾	Pin	Latch ⁽²⁾
1	Output	Latch	Latch

- 1. Hi-Z = high impedance
- 2. Writing affects data register, but does not affect input.

PC0–PC1 High Current Sink/Source Capability

The outputs for the lower two bits of port C (PC0–PC1) can source/sink relatively high current. (See [5.0 V DC Electrical Characteristics](#) on page 130 and [3.3 V DC Electrical Characteristics](#) on page 132 for details.)

Port D

Port D is a 2-bit port with one I/O pin and one input-only pin. Port D shares the input-only pin, PD7/TCAP, with the capture/compare timer. PD7/TCAP is the timer input capture pin. The PD7/TCAP pin can always be a general-purpose input, even if input capture interrupts are enabled.

Port D Data Register (PORTD)

The port D data register contains a latch for each of the two port D pins.

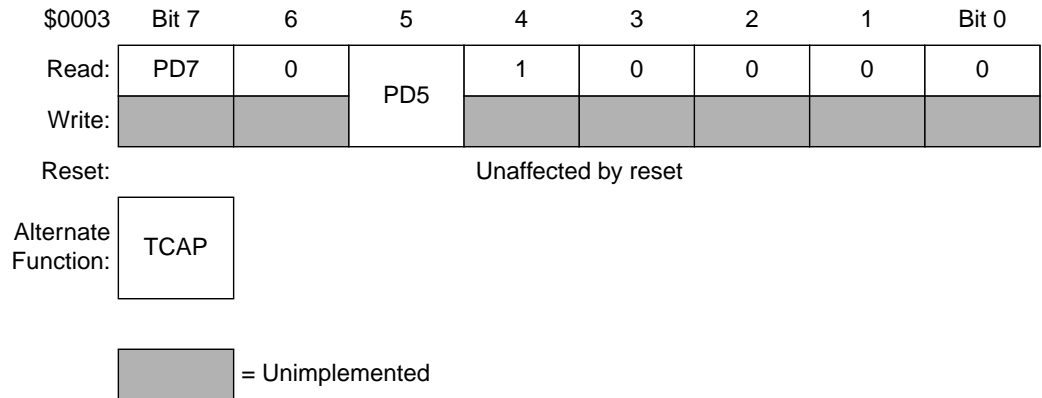


Figure 38. Port D Data Register (PORTD)

PD7 and PD5 — Port D Data Bits

These read/write bits are software programmable. Data direction of each port D pin is under the control of the corresponding bit in data direction register D. Reset has no effect on port D data.

TCAP — Timer Capture

TCAP is the input capture pin for the timer.

Data Direction Register D (DDRD)

Data direction register D determines whether each port D pin is an input or an output.

\$0007	Bit 7	6	5	4	3	2	1	Bit 0
Read:	0	0	DDRD5	0	0	0	0	0
Write:								
Reset:	0	0	0	0	0	0	0	0

= Unimplemented

Figure 39. Data Direction Register D (DDRD)

DDRD5 — Data Direction Register D Bit

This read/write bit controls the data direction of pin PD5. Reset clears DDRD5, configuring PD5 as an input.

- 1 = PD5 configured as output
- 0 = PD5 configured as input

NOTE: *Avoid glitches on port D pins by writing to the port D data register before changing data direction register D bits from 0 to 1.*

Figure 40 shows the I/O logic of port D.

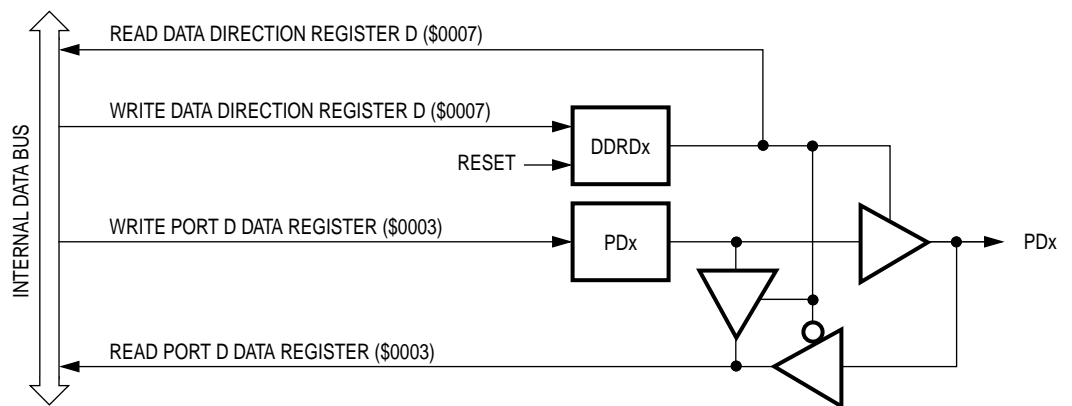


Figure 40. Port D I/O Logic

Writing a logic 1 to a DDRD bit enables the output buffer for the corresponding port D pin; a logic 0 disables the output buffer.

When bit DDRDx is a logic 1, reading address \$0003 reads the PDx data latch. When bit DDRDx is a logic 0, reading address \$0003 reads the voltage level on the pin. The data latch can always be written, regardless of the state of its data direction bit. **Table 16** summarizes the operation of the port D pins.

Table 18. Port D Pin Operation

Data Direction Bit	I/O Pin Mode	Accesses to Data Bit	
		Read	Write
0	Input, Hi-Z ⁽¹⁾	Pin	Latch ⁽²⁾
1	Output	Latch	Latch

1. Hi-Z = high impedance
2. Writing affects data register, but does not affect input.

Computer Operating Properly Watchdog COP

Contents

Features	79
Introduction	80
Operation	80
COP Watchdog Timeout	80
COP Watchdog Timeout Period	80
Clearing the COP Watchdog	81
Interrupts	81
COP Register	81
Low-Power Modes	82
Stop Mode	82
Halt Mode	82
Wait Mode	83

Features

- Protection from runaway software
- 131,072/f_{op} timeout period
- Wait mode operation
- Halt mode operation

Introduction

The purpose of the computer operating properly (COP) watchdog is to reset the MCU in case of software failure. Software that is operating properly periodically services the COP watchdog and prevents the reset from occurring. The COP watchdog function is selectable with a mask option.

Operation

COP Watchdog Timeout

The COP watchdog is a 16-bit counter that generates a reset if allowed to time out. Periodically clearing the counter starts a new timeout period and prevents the COP from resetting the MCU. A COP watchdog timeout indicates that the software is not executing instructions in the correct sequence.

NOTE: *The internal clock drives the COP watchdog. Therefore, the COP watchdog cannot generate a reset for errors that cause the internal clock to stop.*

The COP watchdog also depends on a power supply voltage at or above a minimum specification and is not guaranteed to protect against brownout. For information about brownout protection, see the [Resets and Interrupts](#) section.

COP Watchdog Timeout Period

Use the following formula to calculate the COP timeout period:

$$\text{COP Timeout Period} = \frac{131,072 \text{ cycles}}{f_{\text{BUS}}}$$

where

$$f_{\text{BUS}} = \frac{\text{crystal frequency}}{2}$$

Clearing the COP Watchdog

To clear the COP watchdog and prevent a COP reset, write a logic 0 to bit 0 (COPC) of the COP register at location \$1FF0.

If the main program executes within the COP timeout period, the clearing routine needs to be executed only once. If the main program takes longer than the COP timeout period, the clearing routine must be executed more than once.

NOTE: Place the clearing routine in the main program and not in an interrupt routine. Clearing the COP watchdog in an interrupt routine might prevent COP watchdog timeouts even though the main program is not operating properly.

Interrupts

The COP watchdog does not generate interrupts.

COP Register

The COP register is a write-only register that returns the contents of EPROM location \$1FF0 when read.

\$1FF0	Bit 7	6	5	4	3	2	1	Bit 0
Read:	D7	D6	D5	D4	D3	D2	D1	D0
Write:								COPC
Reset:	U	U	U	U	U	U	U	0

= Unimplemented
 U = Unaffected

Figure 41. COP Register (COPR)

COPC — COP Clear

COPC is a write-only bit. Periodically writing a logic 0 to COPC prevents the COP watchdog from resetting the MCU. Reset clears the COPC bit.

Low-Power Modes

The STOP, HALT, and WAIT instructions put the MCU in low-power consumption standby modes.

Stop Mode

The STOP instruction clears the COP watchdog counter. Upon exit from stop mode by external reset:

- The COP counter begins counting from \$0000.
- The COP counter is cleared again after the 4064-cycle oscillator stabilization delay.

Upon exit from stop mode by external interrupt:

- The COP counter begins counting from \$0000.
- The COP counter is *not* cleared again after the oscillator stabilization delay and has a count of 4064 when the program resumes.

Halt Mode

NOTE: *Halt mode is **NOT** designed for intentional use. Halt mode is only provided to keep the COP watchdog timer active in the event a STOP instruction is executed inadvertently. This mode of operation is usually achieved by invoking wait mode.*

Execution of the STOP instruction when STOP is disabled mask option is selected placing the MCU in this low-power mode. Halt mode consumes the same amount of power as wait mode (both halt and wait modes consume more power than stop mode).

Upon exit from halt mode by COP reset or external reset:

- The COP counter begins counting from \$0000
- the COP counter resumes counting after a delay of one to 4064 cycles

Wait Mode

The COP watchdog continues to operate normally after a WAIT instruction. Software should periodically take the MCU out of wait mode and write to the COPC bit to prevent a COP watchdog timeout.

Contents

Features	86
Introduction	86
Operation	89
Pin Functions	89
PD7/TCAP	89
TCMP	89
Input Capture	89
Output Compare	90
Timing	91
Interrupts	94
I/O Registers	94
Timer Control Register	95
Timer Status Register	96
Timer Registers	98
Alternate Timer Registers	99
Input Capture Registers	100
Output Compare Registers	101
Low-Power Modes	102
Stop Mode	102
Wait Mode	102

Features

- Programmable Polarity of Input Capture Edge
- Programmable Polarity of Output Compare Signal
- Alternate Counter Registers
- 16-Bit Counter
- Interrupt-Driven Operation with Three Maskable Interrupt Flags:
 - Input Capture
 - Output Compare
 - Timer Overflow

Introduction

The timer provides a timing reference for MCU operations. The input capture and output compare functions provide a means to latch the times at which external events occur, to measure input waveforms, and to generate output waveforms and timing delays. [Figure 42](#) shows the structure of the timer module.

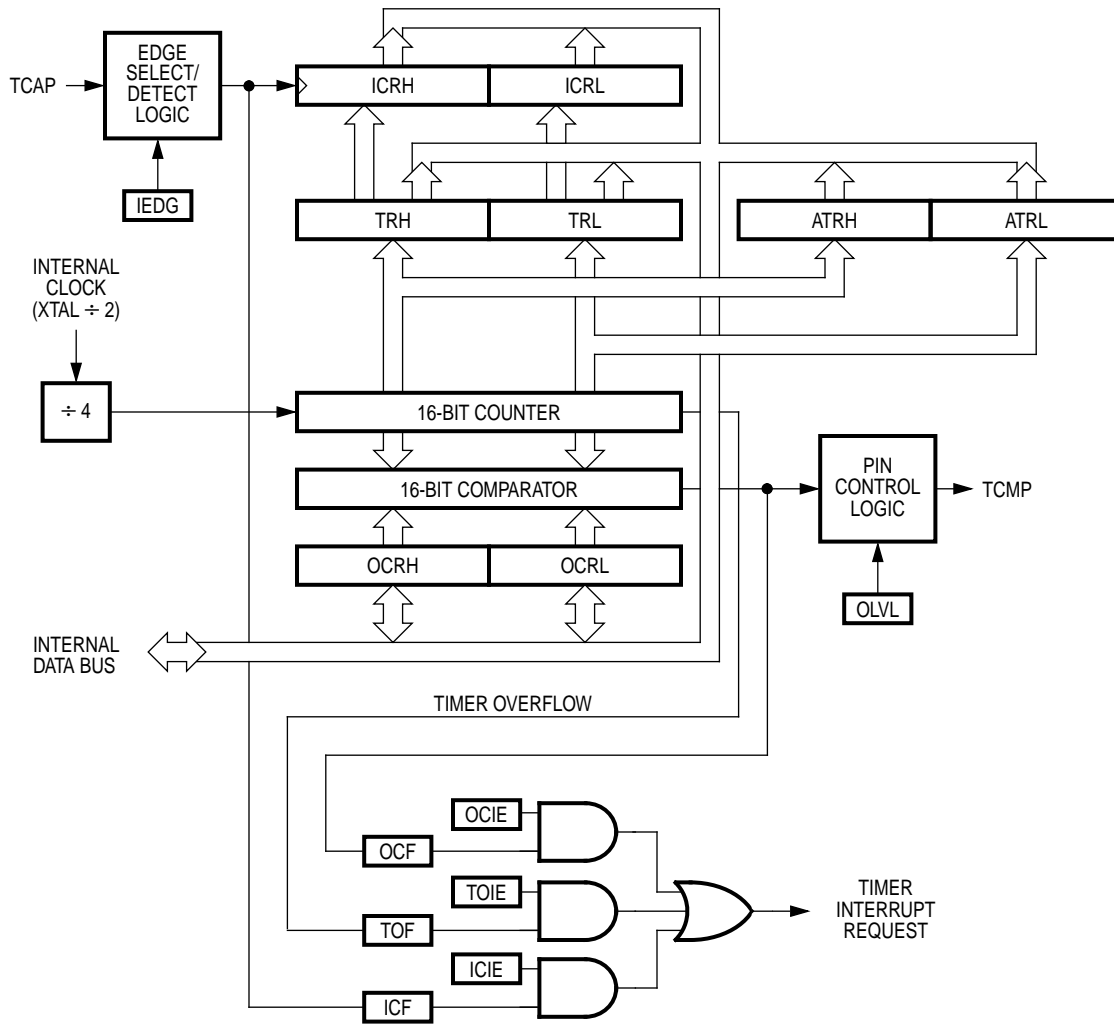


Figure 42. Timer Block Diagram

Timer

Addr.	Name	R/W	Bit 7	6	5	4	3	2	1	Bit 0
\$0012	Timer Control Register (TCR)	Read: Write: Reset:	ICIE	OCIE	TOIE	0	0	0	IEDG	OLVL
\$0013	Timer Status Register (TSR)	Read: Write: Reset:	ICF	OCF	TOF	0	0	0	0	0
\$0014	Input Capture Register High (ICRH)	Read: Write: Reset:	Bit 15	14	13	12	11	10	9	Bit 8
\$0015	Input Capture Register Low (ICRL)	Read: Write: Reset:	Bit 7	6	5	4	3	2	1	Bit 0
\$0016	Output Compare Register High (OCRH)	Read: Write: Reset:	Bit 15	14	13	12	11	10	9	Bit 8
\$0017	Output Compare Register Low (OCRL)	Read: Write: Reset:	Bit 7	6	5	4	3	2	1	Bit 0
\$0018	Timer Register High (TRH)	Read: Write: Reset:	Bit 15	14	13	12	11	10	9	Bit 8
\$0019	Timer Register Low (TRL)	Read: Write: Reset:	Bit 7	6	5	4	3	2	1	Bit 0
\$001A	Alternate Timer Register High (ATRH)	Read: Write: Reset:	Bit 15	14	13	12	11	10	9	Bit 8
\$001B	Alternate Timer Register Low (ATRL)	Read: Write: Reset:	Bit 7	6	5	4	3	2	1	Bit 0

 = Unimplemented U = Unaffected

Figure 43. Timer I/O Register Summary

Operation

The timing reference for the input capture and output compare functions is a 16-bit free-running counter. The counter is preceded by a divide-by-four prescaler and rolls over every 2^{18} cycles. Timer resolution with a 4-MHz crystal is 2 μ s. Software can read the value in the counter at any time without affecting the counter sequence.

Because of the 16-bit timer architecture, the I/O registers for the input capture and output compare functions are pairs of 8-bit registers.

Pin Functions

The timer uses two pins.

PD7/TCAP

PD7/TCAP is the input capture pin. When an active edge occurs on PD7/TCAP, the timer transfers the current counter value to the input capture registers. PD7/TCAP is also an I/O port pin.

TCMP

TCMP is the output-only output compare pin. When the counter value matches the value written in the output compare registers, the timer transfers the output level bit, OLVL, to the TCMP pin.

Input Capture

The input capture function is a means to record the time at which an external event occurs. When the input capture circuitry detects an active edge on the PD7/TCAP pin, it latches the contents of the timer registers into the input capture registers. The polarity of the active edge is programmable.

Latching values into the input capture registers at successive edges of the same polarity measures the period of the input signal on the PD7/TCAP pin. Latching the counter values at successive edges of opposite polarity measures the pulse width of the signal. **Figure 44** shows the logic of the input capture function.

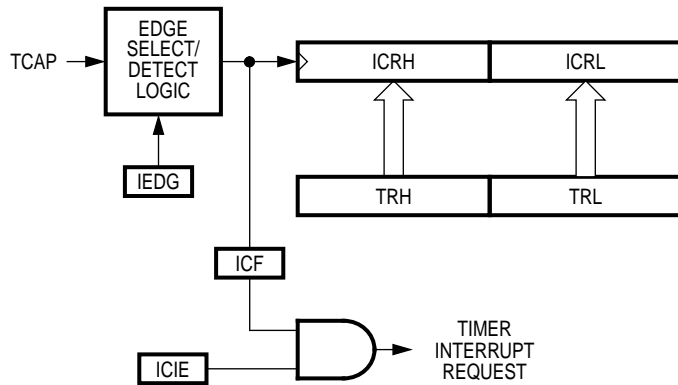


Figure 44. Input Capture Operation

Output Compare

The output compare function is a means of generating an output signal when the 16-bit counter reaches a selected value. Software writes the selected value into the output compare registers. On every fourth internal clock cycle the output compare circuitry compares the value of the counter to the value written in the output compare registers. When a match occurs, the timer transfers the programmable output level bit (OLVL) from the timer control register to the TCMP pin.

Software can use the output compare register to measure time periods, to generate timing delays, or to generate a pulse of specific duration or a pulse train of specific frequency and duty cycle on the TCMP pin.

Figure 45 shows the logic of the output compare function.

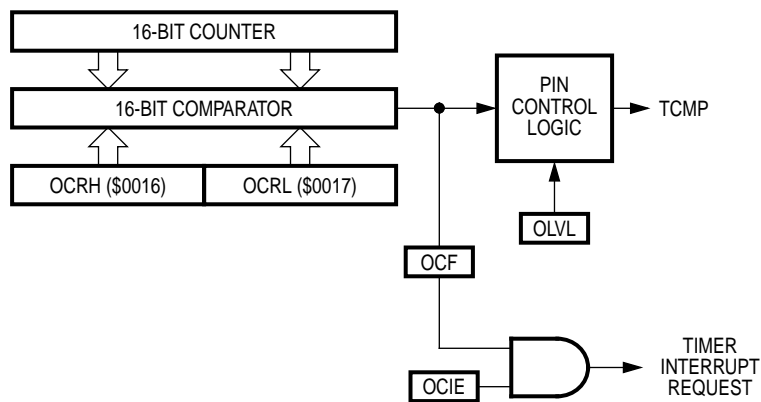


Figure 45. Output Compare Operation

Timing

Table 19. Timer Characteristics ($V_{DD} = 5.0 \text{ Vdc}$)⁽¹⁾

Characteristic	Symbol	Min	Max	Unit
Timer Resolution ⁽²⁾	t_{RESL}	4.0	—	t_{CYC}
Input Capture Pulse Width	t_H, t_L	125	—	ns
Input Capture Pulse Period	t_{TLTL}	Note (3)	—	t_{CYC}

- $V_{DD} = 5.0 \text{ Vdc} \pm 10\%$, $T_A = T_L$ to T_H unless otherwise noted.
- A 2-bit prescaler in the timer is the limiting factor as it counts 4 t_{CYC} .
- The minimum t_{TLTL} should not be less than the number of interrupt service routine cycles plus 19 t_{CYC} .

Table 20. Timer Characteristics ($V_{DD} = 3.3 \text{ Vdc}$)⁽¹⁾

Characteristic	Symbol	Min	Max	Unit
Timer Resolution ⁽²⁾	t_{RESL}	4.0	—	t_{CYC}
Input Capture Pulse Width	t_H, t_L	250	—	ns
Input Capture Pulse Period	t_{TLTL}	Note (3)	—	t_{CYC}

- $V_{DD} = 3.3 \text{ Vdc} \pm 10\%$, $T_A = T_L$ to T_H unless otherwise noted.
- A 2-bit prescaler in the timer is the limiting factor as it counts 4 t_{CYC} .
- The minimum t_{TLTL} should not be less than the number of interrupt service routine cycles plus 19 t_{CYC} .

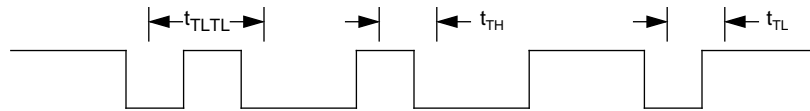


Figure 46. Input Capture Characteristics

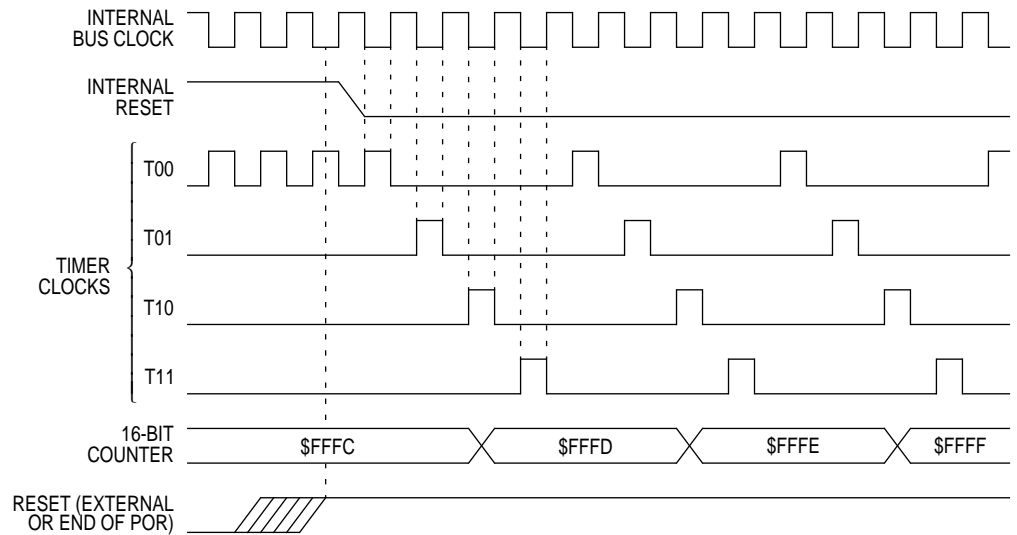
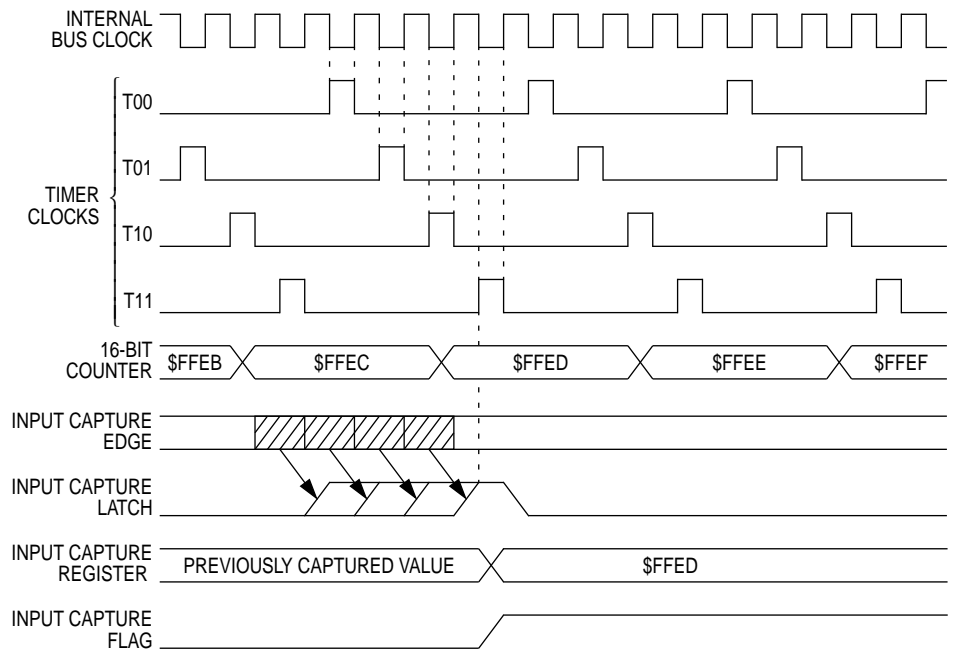


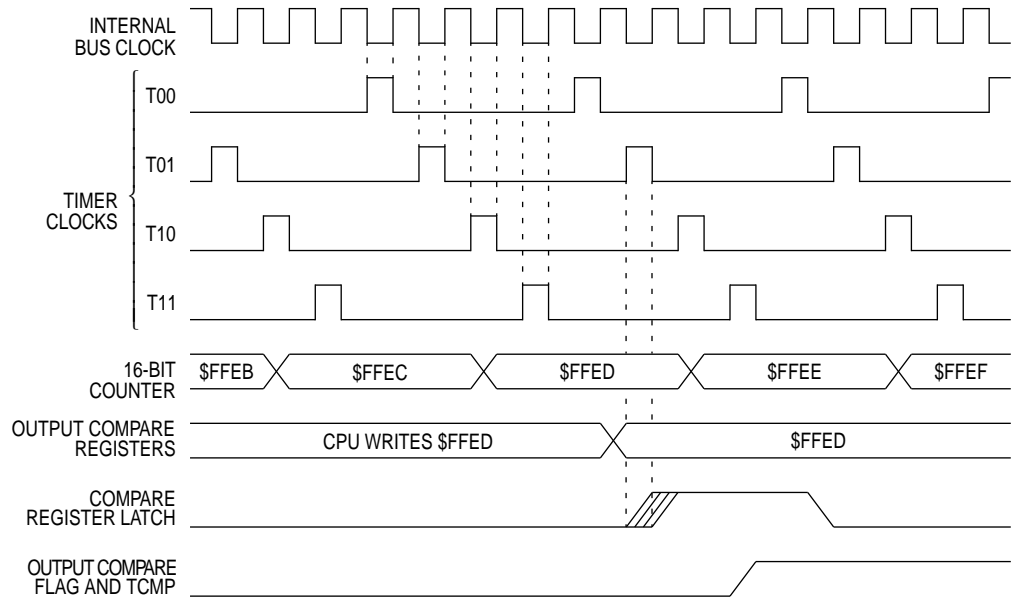
Figure 47. Timer Reset Timing



NOTE:

If the input capture edge occurs in the shaded area between T10 states, then the input capture flag becomes set during the next T11 state.

Figure 48. Input Capture Timing



NOTES:

1. A write to the output compare registers may occur at any time, but a compare only occurs at timer state T01. Therefore, the compare may follow the write by up to four cycles.
2. The output compare flag is set at the timer state T11 that follows the comparison latch.

Figure 49. Output Compare Timing

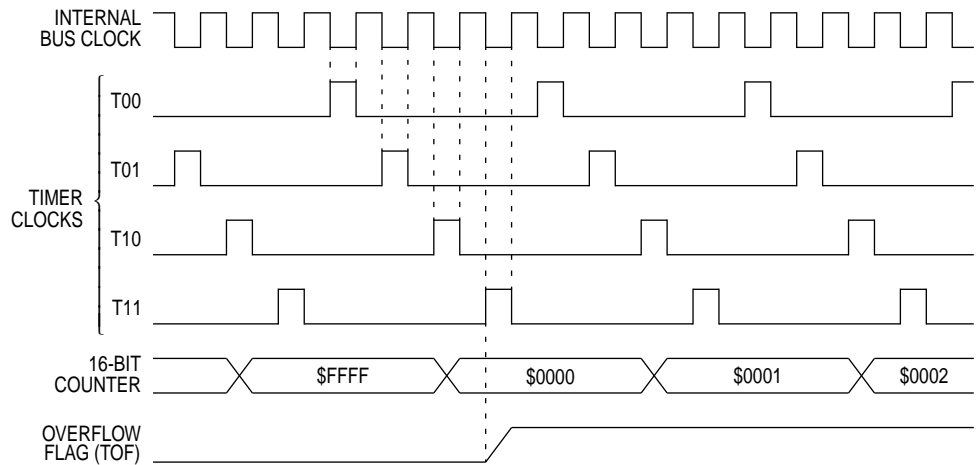


Figure 50. Timer Overflow Timing

Interrupts

The following timer sources can generate interrupts:

- Input capture flag (ICF) — The ICF bit is set when an edge of the selected polarity occurs on the input capture pin. The input capture interrupt enable bit, ICIE, enables ICF interrupt requests.
- Output compare flag (OCF) — The OCF bit is set when the counter value matches the value written in the output compare registers. The output compare interrupt enable bit, OCIE, enables OCF interrupt requests.
- Timer overflow flag (TOF) — The TOF bit is set when the counter value rolls over from \$FFFF to \$0000. The timer overflow enable bit (TOIE) enables timer overflow interrupt requests.

Table 21 summarizes the timer interrupt sources.

Table 21. Timer Interrupt Sources

Source	Local Mask	Global Mask	Priority (1 = Highest)
ICF Bit OCF Bit TOF Bit	ICIE Bit OCIE Bit TOIE Bit	I Bit	3

I/O Registers

The following registers control and monitor the operation of the timer:

- Timer control register (TCR)
- Timer status register (TSR)
- Timer registers (TRH and TRL)
- Alternate timer registers (ATRH and ATRL)
- Input capture registers (ICRH and ICRL)
- Output compare registers (OCRH and OCRL)

Timer Control Register

The timer control register (TCR) performs the following functions:

- Enables input capture interrupts
- Enables output compare interrupts
- Enables timer overflow interrupts
- Controls the active edge polarity of the TCAP signal
- Controls the active level of the TCMP output

\$0012	Bit 7	6	5	4	3	2	1	Bit 0
Read:	ICIE	OCIE	TOIE	0	0	0	IEDG	OLVL
Write:								
Reset:	0	0	0	0	0	0	U	0

U = Unaffected

Figure 51. Timer Control Register (TCR)

ICIE — Input Capture Interrupt Enable

This read/write bit enables interrupts caused by an active signal on the PD7/TCAP pin. Reset clears the ICIE bit.

- 1 = Input capture interrupts enabled
- 0 = Input capture interrupts disabled

OCIE — Output Compare Interrupt Enable

This read/write bit enables interrupts caused by an active signal on the TCMP pin. Reset clears the OCIE bit.

- 1 = Output compare interrupts enabled
- 0 = Output compare interrupts disabled

TOIE — Timer Overflow Interrupt Enable

This read/write bit enables interrupts caused by a timer overflow. Reset clears the TOIE bit.

- 1 = Timer overflow interrupts enabled
- 0 = Timer overflow interrupts disabled

Bits 4–2 — Unused

These are read/write bits that always read as logic 0s.

IEDG — Input Edge

The state of this read/write bit determines whether a positive or negative transition on the PD7/TCAP pin triggers a transfer of the contents of the timer registers to the input capture registers. Reset has no effect on the IEDG bit.

- 1 = Positive edge (low-to-high transition) triggers input capture
- 0 = Negative edge (high-to-low transition) triggers input capture

OLVL — Output Level

The state of this read/write bit determines whether a logic 1 or a logic 0 appears on the TCMP pin when a successful output compare occurs. Reset clears the OLVL bit.

- 1 = TCMP goes high on output compare
- 0 = TCMP goes low on output compare

Timer Status Register

The timer status register (TSR) contains flags for the following events:

- An active signal on the PD7/TCAP pin, transferring the contents of the timer registers to the input capture registers
- A match between the 16-bit counter and the output compare registers, transferring the OLVL bit to the TCMP pin
- A timer rollover from \$FFFF to \$0000

\$0013	Bit 7	6	5	4	3	2	1	Bit 0
Read:	ICF	OCF	TOF	0	0	0	0	0
Write:								
Reset:	U	U	U	0	0	0	0	0

= Unimplemented U = Unaffected

Figure 52. Timer Status Register (TSR)

ICF — Input Capture Flag

The ICF bit is automatically set when an edge of the selected polarity occurs on the PD7/TCAP pin. Clear the ICF bit by reading the timer status register with ICF set, and then reading the low byte of the input capture registers. Reset has no effect on ICF.

- 1 = Input capture
- 0 = No input capture

OCF — Output Compare Flag

The OCF bit is automatically set when the value of the timer registers matches the contents of the output compare registers. Clear the OCF bit by reading the timer status register with OCF set, and then reading the low byte of the output compare registers. Reset has no effect on OCF.

- 1 = Output compare
- 0 = No output compare

TOF — Timer Overflow Flag

The TOF bit is automatically set when the 16-bit counter rolls over from \$FFFF to \$0000. Clear the TOF bit by reading the timer status register with TOF set, and then reading the low byte of the timer registers. Reset has no effect on TOF.

- 1 = Timer overflow
- 0 = No timer overflow

Timer Registers

The read-only timer registers (TRH and TRL) contain the current high and low bytes of the 16-bit counter. Reading TRH before reading TRL causes TRL to be latched until TRL is read. Reading TRL after reading the timer status register clears the timer overflow flag (TOF). Writing to the timer registers has no effect.

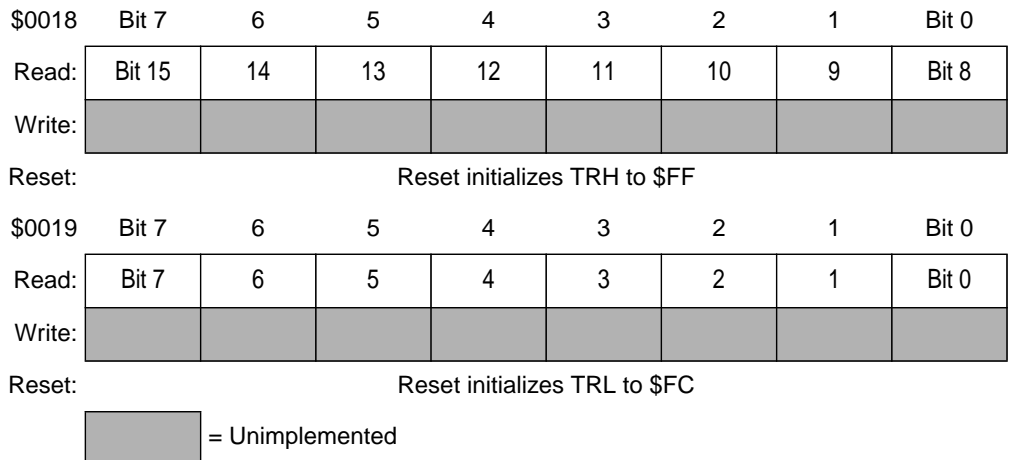


Figure 53. Timer Registers (TRH and TRL)

Reading TRH returns the current value of the high byte of the counter and causes the low byte to be latched into a buffer. The buffer value remains fixed even if the high byte is read more than once. Reading TRL reads the transparent low byte buffer and completes the read sequence of the timer registers.

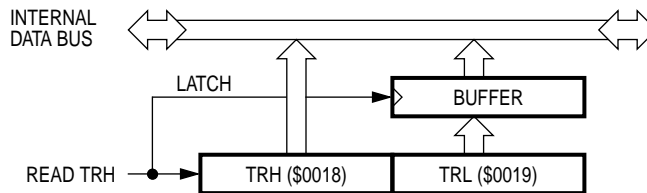


Figure 54. Timer Register Reads

NOTE: To prevent interrupts from occurring between readings of TRH and TRL, set the interrupt mask (I bit) in the condition code register before reading TRH, and clear the mask after reading TRL.

Alternate Timer Registers

The read-only alternate timer registers (ATRH and ATRL) contain the current high and low bytes of the 16-bit counter. Reading ATRH before reading ATRL causes ATRL to be latched until ATRL is read. Reading does not affect the timer overflow flag (TOF). Writing to the alternate timer registers has no effect.

\$001A	Bit 7	6	5	4	3	2	1	Bit 0
Read:	Bit 15	14	13	12	11	10	9	Bit 8
Write:								
Reset:	Reset initializes ATRH to \$FF							
\$001B	Bit 7	6	5	4	3	2	1	Bit 0
Read:	Bit 7	6	5	4	3	2	1	Bit 0
Write:								
Reset:	Reset initializes ATRL to \$FC							


 = Unimplemented

Figure 55. Alternate Timer Registers (ATRH and ATRL)

Reading ATRH returns the current value of the high byte of the counter and causes the low byte to be latched into a buffer.

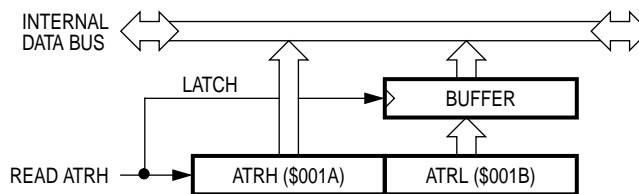


Figure 56. Alternate Timer Register Reads

NOTE: To prevent interrupts between readings of ATRH and ATRL, set the interrupt mask (I bit) in the condition code register before reading ATRH, and clear the mask after reading ATRL.

Input Capture Registers

When a selected edge occurs on the TCAP pin, the current high and low bytes of the 16-bit counter are latched into the read-only input capture registers (ICRH and ICRL). Reading ICRH before reading ICRL inhibits further captures until ICRL is read. Reading ICRL after reading the timer status register clears the input capture flag (ICF). Writing to the input capture registers has no effect.



Figure 57. Input Capture Registers (ICRH and ICRL)

NOTE: *To prevent interrupts between readings of ICRH and ICRL, set the interrupt mask (I bit) in the condition code register before reading ICRH, and clear the mask after reading ICRL.*

Output Compare Registers

When the value of the 16-bit counter matches the value in the read/write output compare registers (OCRH and OCRL), the planned TCMP pin action takes place. Writing to OCRH before writing to OCRL inhibits timer compares until OCRL is written. Reading or writing to OCRL after reading the timer status register clears the output compare flag (OCF).

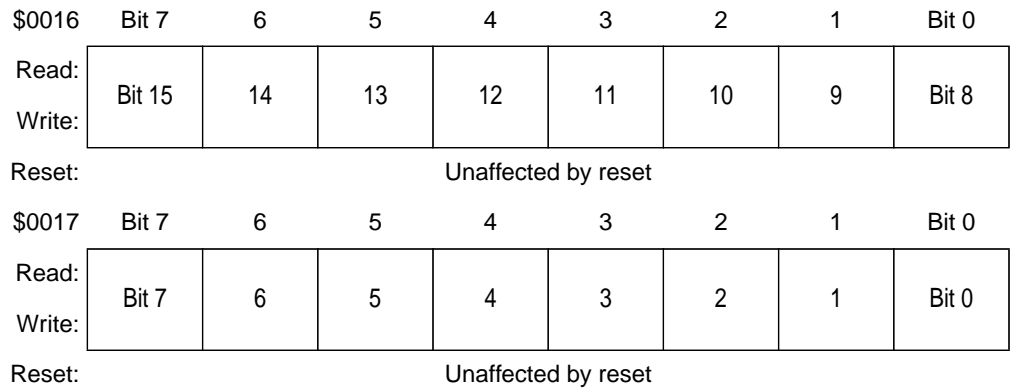


Figure 58. Output Compare Registers (OCRH and OCRL)

To prevent OCF from being set between the time it is read and the time the output compare registers are updated, use the following procedure:

1. Disable interrupts by setting the I bit in the condition code register.
2. Write to OCRH. Compares are now inhibited until OCRL is written.
3. Clear bit OCF by reading the timer status register (TSR).
4. Enable the output compare function by writing to OCRL.
5. Enable interrupts by clearing the I bit in the condition code register.

Low-Power Modes

The STOP and WAIT instructions put the MCU in low-power consumption standby modes.

Stop Mode

The STOP instruction suspends the timer counter. Upon exit from stop mode by external reset:

- The timer counter resumes counting from \$FFFC.
- An input capture edge during stop mode does not affect the ICF bit or the input capture registers.

Upon exit from stop mode by external interrupt:

- The counter resumes counting from the suspended value.
- An input capture edge during stop mode sets the ICF bit and transfers the suspended timer counter value to the input capture registers.

Wait Mode

The timer remains active after a WAIT instruction. Any enabled timer interrupt request can bring the MCU out of wait mode.

Serial Input/Output Port SIOP

Contents

Features	104
Introduction	104
Operation	106
Pin Functions	107
PB7/SCK	107
PB5/SDO	108
PB6/SDI	108
Data Movement	109
Timing	110
Interrupts	111
I/O Registers	112
SIOP Control Register	112
SIOP Status Register	114
SIOP Data Register	115
Low-Power Modes	116
Stop Mode	116
Wait Mode	116

Features

- Master or Slave Operation
- Programmable MSB-First or LSB-First Operation
- Interrupt-Driven Operation with Transfer Complete Flag
- Data Collision Flag
- Master Mode Frequency = Bus Frequency \div 4
- Maximum Slave Mode Frequency = Bus Frequency \div 4
- No Minimum Slave Mode Frequency

Introduction

The serial input/output port (SIOP) is a 3-wire master/slave communication port with serial clock, data input, and data output connections. The SIOP enables high-speed synchronous serial data transfer between the MCU and peripheral devices. Shift registers used with the SIOP can increase the number of parallel I/O pins controlled by the MCU. More powerful peripherals such as analog-to-digital converters and real-time clocks are also compatible with the SIOP.

Figure 59 shows the structure of the SIOP module.

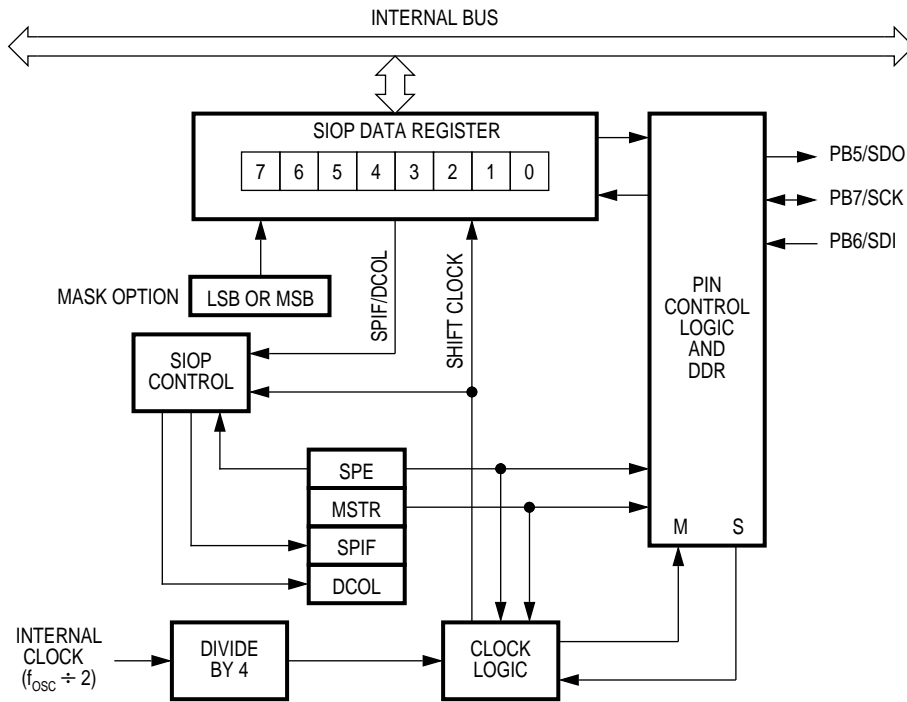


Figure 59. SIOPI Block Diagram

Addr.	Name	Bit 7	6	5	4	3	2	1	Bit 0	
\$000A	SIOPI Control Register (SCR)	Read:	0	SPE	0	MSTR	0	0	0	0
		Write:								
		Reset:	0	0	0	0	0	0	0	0
\$000B	SIOPI Status Register (SSR)	Read:	SPIF	DCOL	0	0	0	0	0	0
		Write:								
		Reset:	0	0	0	0	0	0	0	0
\$000C	SIOPI Data Register (SDR)	Read:	Bit 7	6	5	4	3	2	1	Bit 0
		Write:								
		Reset:	Unaffected by reset							

= Unimplemented

Figure 60. SIOPI I/O Register Summary

Operation

The master MCU initiates and controls the transfer of data to and from one or more slave peripheral devices. In master mode, a transmission is initiated by writing to the SIOP data register (SDR). Data written to the SDR is parallel-loaded and shifted out serially to the slave device(s).

Many simple slave devices are designed to only receive data from a master or to only supply data to a master. For example, when a serial-to-parallel shift register is used as an 8-bit port, the master MCU initiates transfers of 8-bit data values to the shift register. Since the serial-to-parallel shift register does not send any data to the master, the MCU ignores whatever it receives as a result of the transmission.

The SIOP is simpler than the serial peripheral interface (SPI) on some other Motorola MCUs in that:

- The polarity of the serial clock is fixed.
- There is no slave select pin.
- The direction of serial data does not automatically switch as on the SPI because the SIOP is not intended for use in multimaster systems. Most applications use one MCU as the master to initiate and control data transfer between one or more slave peripheral devices.

A mask option allows the SIOP to transfer data MSB first or LSB first.

Pin Functions

The SIOPI uses three pins and shares them with port B:

- PB7/SCK
- PB6/SDI
- PB5/SDO

NOTE: *Do not use the PB7/SCK, PB6/SDI, or PB5/SDO pins for general-purpose I/O while the SIOPI is enabled.*

When bit 6 (SPE) of the SIOPI control register (SCR) is set, the SIOPI is enabled and the PB7/SCK, PB5/SDO, and PB6/SDI pins are dedicated to SIOPI functions. Clearing SPE disables the SIOPI and the SIOPI pins become standard I/O port pins.

NOTE: *Enabling and then disabling the SIOPI configures the data direction register bits associated with the SIOPI pins for SIOPI operation and can also change the associated port data register. After disabling the SIOPI, initialize the data direction register and the port data register as the application requires.*

PB7/SCK

The PB7/SCK pin synchronizes the movement of data into and out of the MCU through the PB6/SDI and PB5/SDO pins.

In master mode, the PB7/SCK pin is an output. The serial clock frequency in master mode is one-fourth the internal clock frequency.

In slave mode, the PB7/SCK pin is an input. The maximum serial clock frequency in slave mode is one-fourth the internal clock rate. Slave mode has no minimum serial clock frequency.

Figure 61 shows the timing relationships among the serial clock, data input, and data output. The state of the serial clock between transmissions is a logic 1. The first falling edge on the PB7/SCK pin signals the beginning of a transmission, and data appears at the PB5/SDO pin. Data is captured at the PB6/SDI pin on the rising edge of the serial clock, and the transmission ends on the eighth rising edge of the serial clock.

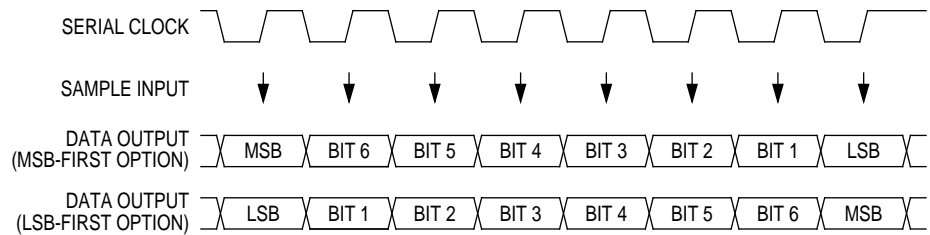


Figure 61. SIOP Data/Clock Timing

PB5/SDO

The PB5/SDO pin is the SIOP data output. Between transfers, the state of the PB5/SDO pin reflects the value of the last bit shifted out on the previous transmission, if there was one. To preset the beginning state, write to the corresponding port data bit before enabling the SIOP. On the first falling edge on the PB7/SCK pin, the first data bit to be shifted out appears at the PB5/SDO pin.

PB6/SDI

The PB6/SDI pin is the SIOP data input. Valid SDI data must be present for an SDI setup time, t_S , before the rising edge of the serial clock and must remain valid for an SDI hold time, t_H , after the rising edge of the serial clock. (See **Table 22** and **Table 23**.)

Data Movement

Connecting the SIOPI data register of a master MCU with the SIOPI of a slave MCU forms a 16-bit circular shift register. During an SIOPI transfer, the master shifts out the contents of its SIOPI data register on its PB5/SDO pin. At the same time, the slave MCU shifts out the contents of its SIOPI data register on its PB5/SDO pin. **Figure 62** shows how the master and slave exchange the contents of their data registers.

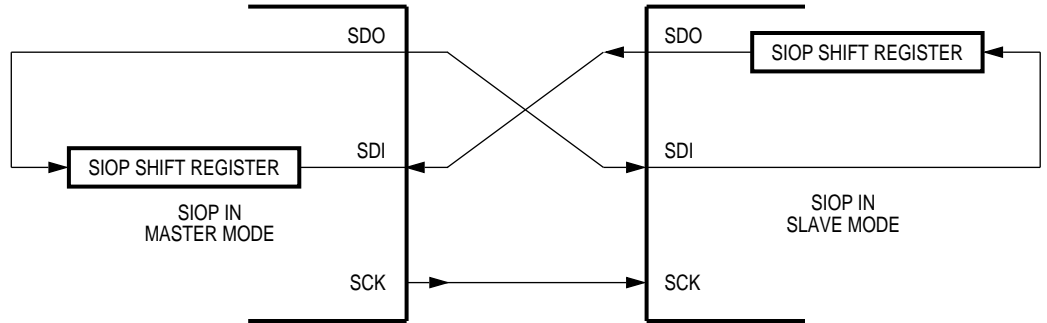


Figure 62. Master/Slave SIOPI Shift Register Operation

Timing

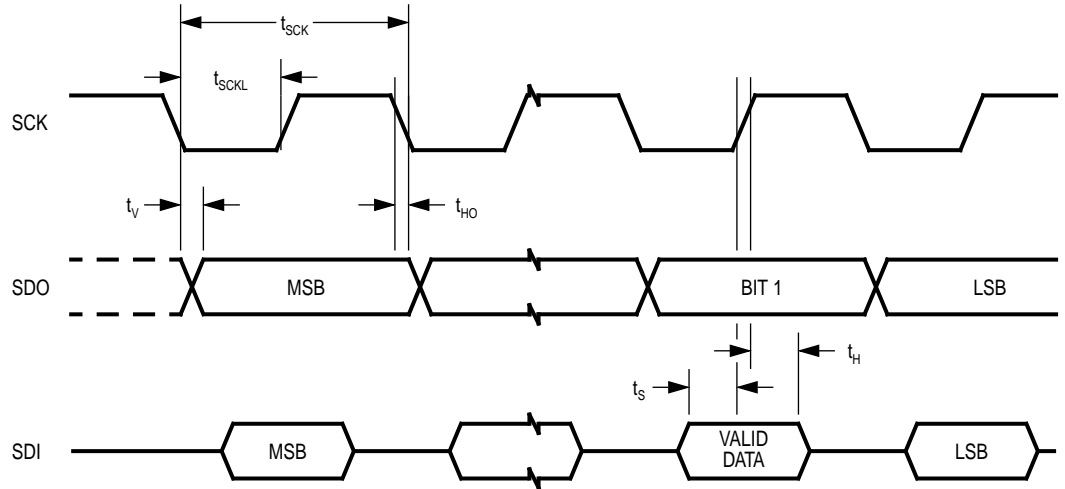


Figure 63. SIOPI Timing

Table 22. SIOPI Timing ($V_{DD} = 5.0 \text{ Vdc}$)⁽¹⁾

Characteristic	Symbol	Min	Max	Unit
Frequency of Operation				
Master	$f_{SIOPI(M)}$	$f_{OSC}/8d$	$f_{OSC}/8$	MHz
Slave	$f_{SIOPI(S)}$	c	$f_{OSC}/8$	kHz
Cycle Time				
Master	$t_{SCK(M)}$	4.0	4.0	$t_{CYC}^{(2)}$
Slave	$t_{SCK(S)}$	—	1920	ns
Clock (SCK) Low Time ($f_{OP} = 2.1 \text{ MHz}$) ⁽³⁾⁽⁴⁾	t_{SCKL}	932	—	ns
SDO Data Valid Time	t_V	—	200	ns
SDO Hold Time	t_{HO}	0	—	ns
SDI Setup Time	t_S	100	—	ns
SDI Hold Time	t_H	100	—	ns

- $V_{DD} = 5.0 \text{ Vdc} \pm 10\%$, $V_{SS} = 0 \text{ Vdc}$, $T_A = T_L$ to T_H unless otherwise noted.
- $t_{CYC} = 1 \div f_{OP}$
- f_{OSC} = crystal frequency; $f_{OP} = f_{OSC} \div 2 = 2.1 \text{ MHz}$ maximum
- In master mode, the frequency of SCK is $f_{OP} \div 4$.

Table 23. SIOPI Timing ($V_{DD} = 3.3 \text{ Vdc}$)⁽¹⁾

Characteristic	Symbol	Min	Max	Unit
Frequency of Operation Master Slave	$f_{SIOPI(M)}$ $f_{SIOPI(S)}$	$f_{OSC}/8$ dc	$f_{OSC}/8$ $f_{OSC}/8$	MHz kHz
Cycle Time Master Slave	$t_{SCK(M)}$ $t_{SCK(S)}$	4.0 —	4.0 4000	t_{CYC} ⁽²⁾
Clock (SCK) Low Time ($f_{OP} = 1.0 \text{ MHz}$) ^{(3) (4)}	t_{SCKL}	1980	—	ns
SDO Data Valid Time	t_V	—	400	ns
SDO Hold Time	t_{HO}	0	—	ns
SDI Setup Time	t_S	200	—	ns
SDI Hold Time	t_H	200	—	ns

- $V_{DD} = 3.3 \text{ Vdc} \pm 10\%$, $V_{SS} = 0 \text{ Vdc}$, $T_A = T_L$ to T_H unless otherwise noted
- $t_{CYC} = 1 \div f_{OP}$
- f_{OSC} = crystal frequency; $f_{OP} = f_{OSC} \div 2 = 1.0 \text{ MHz}$ maximum
- In master mode, the frequency of SCK is $f_{OP} \div 4$.

Interrupts

The SIOPI does not generate interrupt requests.

I/O Registers

The following registers control and monitor SIOP operation:

- SIOP control register (SCR)
- SIOP status register (SSR)
- SIOP data register (SDR)

SIOP Control Register

The read/write SIOP control register (SCR) contains two bits. One bit enables the SIOP, and the other configures the SIOP for master mode or for slave mode.

\$000A	Bit 7	6	5	4	3	2	1	Bit 0
Read:	0	SPE	0	MSTR	0	0	0	0
Write:								
Reset:	0	0	0	0	0	0	0	0


 = Unimplemented

Figure 64. SIOP Control Register (SCR)

SPE — SIOP Enable

This read/write bit enables the SIOP. Setting SPE initializes the data direction register as follows:

- The PB6/SDI pin is an input.
- The PB5/SDO pin is an output.
- The PB7/SCK pin is an input in slave mode and an output in master mode.

Clearing SPE disables the SIOP and returns the port to its normal I/O functions. The data direction register and the port data register remain in their SIOP-initialized state.

NOTE: After clearing SPE, be sure to initialize the port for its intended I/O use.

Clearing SPE during a transmission aborts the transmission, resets the bit counter, and returns the port to its normal I/O function. Reset clears SPE.

1 = SIOP enabled

0 = SIOP disabled

MSTR — Master Mode Select

This read/write bit configures the SIOP for master mode. Setting MSTR initializes the PB7/SCK pin as the serial clock output. Clearing MSTR initializes the PB7/SCK pin as the serial clock input. MSTR can be set at any time regardless of the state of SPE. Reset clears MSTR.

1 = Master mode selected

0 = Slave mode selected

S I O P Status Register

The read-only S I O P status register (SSR) contains two bits. One bit indicates that a S I O P transfer is complete, and the other indicates that an invalid access of the S I O P data register occurred while a transfer was in progress.

\$000B	Bit 7	6	5	4	3	2	1	Bit 0
Read:	SPIF	DCOL	0	0	0	0	0	0
Write:								
Reset:	0	0	0	0	0	0	0	0


 = Unimplemented

Figure 65. S I O P Status Register (SSR)

SPIF — Serial Peripheral Interface Flag

This clearable, read-only bit is set automatically on the eighth rising edge on the PB7/SCK pin and indicates that a data transmission took place. SPIF does not inhibit further transmissions. Clear SPIF by reading the S I O P status register while SPIF is set and then reading or writing the S I O P data register. Reset clears SPIF.

- 1 = Transmission complete
- 0 = Transmission not complete

DCOL — Data Collision Flag

This clearable, read-only bit is automatically set if the SIOP data register is accessed while a data transfer is in progress. Reading or writing the SIOP data register while a transmission is in progress causes invalid data to be transmitted or read. Clear DCOL by reading the SIOP status register with SPIF set and then accessing the SIOP data register. Because the clearing sequence accesses the SIOP data register, the sequence has to be completed before another transmission starts or DCOL is set again.

To clear DCOL when SPIF is not set, turn off the SIOP by writing a 0 to SPE and then turn it back on by writing a 1 to SPE. Reset clears DCOL.

- 1 = Invalid access of SDR
- 0 = Valid access of SDR

SIOP Data Register

The SIOP data register (SDR) is both the transmit data register and the receive data register. To read or write the SIOP data register, the SPE bit in the SIOP control register must be set.

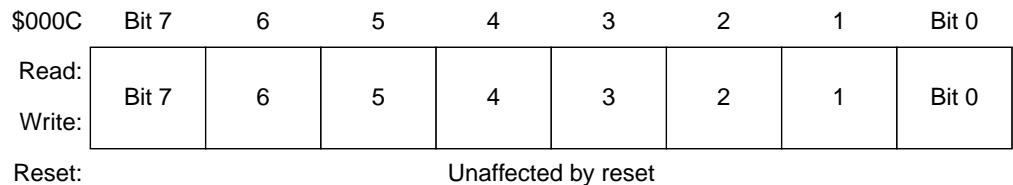


Figure 66. SIOP Data Register (SDR)

With the SIOP configured for master mode, writing to the SIOP data register initiates a serial transfer. This register is not buffered. Writing to the SIOP data register overwrites the previous contents. Reading or writing to the SIOP data register while a transmission is in progress can cause invalid data to be transmitted or received.

Low-Power Modes

The WAIT and STOP instructions put the MCU in low-power consumption standby modes.

Stop Mode

The STOP instruction suspends the clock to the SIOP. When the MCU exits stop mode, processing resumes after the internal oscillator stabilization delay of 4064 oscillator cycles.

A STOP instruction in a master SIOP does not suspend the clock to slave SIOPs.

Wait Mode

The WAIT instruction suspends the clock to the SIOP. When the MCU exits wait mode, processing resumes immediately.

A WAIT instruction in a master SIOP does not suspend the clock to slave SIOPs.

Analog-to-Digital Converter ADC

Contents

Features	117
Introduction	118
Operation	119
Pin Functions	119
PC7/V _{RH}	119
PC6/AN0–PC3/AN3	120
Interrupts	120
Timing and Electrical Characteristics	121
I/O Registers	122
ADC Status and Control Register	122
ADC Data Register	125
Low-Power Modes	125
Stop Mode	125
Wait Mode	125

Features

- 8-Bit Conversions with ± 1.5 -LSB Precision
- Four External and Three Internal Analog Input Channels
- Wait Mode Operation

Introduction

The ADC consists of a single successive-approximation A/D converter, an input multiplexer to select one of four external or two internal channels, and control circuitry. **Figure 67** shows the structure of the ADC module.

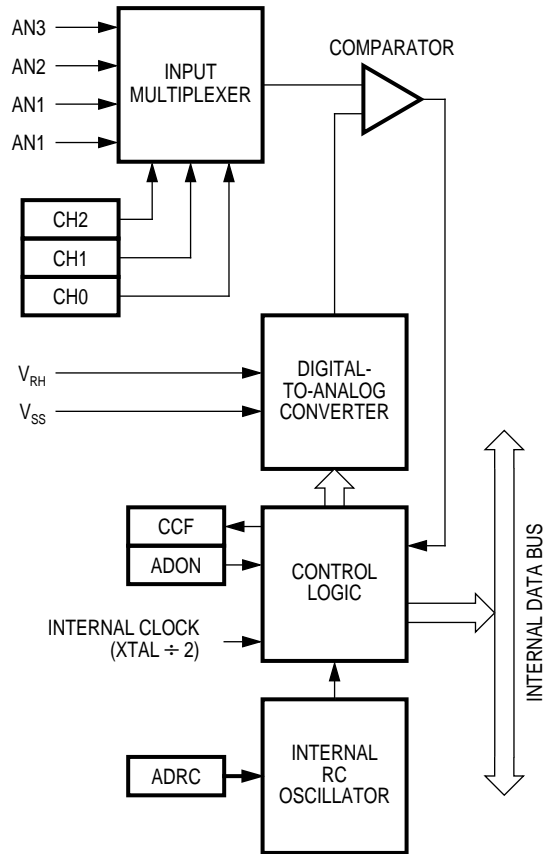



Figure 67. ADC Block Diagram

Freescale Semiconductor, Inc.

Table 24. ADC I/O Register Summary

Addr.	Name	R/W	Bit 7	6	5	4	3	2	1	Bit 0
\$001D	ADC Data Register (ADDR)	Read:	Bit 7	6	5	4	3	2	1	Bit 0
		Write:								
		Reset:	Unaffected by reset							
\$001E	ADC Status/Control Register (ADSCR)	Read:	CCF	ADRC	ADON	0	0	CH2	CH1	CH0
		Write:								
		Reset:	0	0	0	0	0	0	0	0

 = Unimplemented

Operation

The A/D conversion process is ratiometric, using two reference voltages, V_{RH} and V_{SS} . Conversion accuracy is guaranteed only if V_{RH} is equal to V_{DD} .

Pin Functions

The ADC uses five pins and shares them with port C:

- $PC7/V_{RH}$
- $PC6/AN0$, $PC5/AN1$, $PC4/AN2$, and $PC3/AN3$

$PC7/V_{RH}$

The voltage reference high pin ($PC7/V_{RH}$) supplies the high reference voltage for the ratiometric conversion process. For ratiometric conversion, the supply voltage of the analog source should be the same as V_{RH} and be referenced to V_{SS} .

PC6/AN0–
PC3/AN3

The multiplexer can select one of four external analog input channels (AN0, AN1, AN2, or AN3) for sampling. The conversion takes 32 cycles. The first 12 cycles sample the voltage on the selected input pin by charging an internal capacitor. In the last 20 cycles, a comparator successively compares the output of an internal D/A converter to the sampled analog input. Control logic changes the D/A converter input one bit at a time, starting with the MSB, until the D/A converter output matches the sampled analog input. The conversion is monotonic and has no missing codes. At the end of the conversion, the conversion complete flag (CCF) becomes set, and the CPU takes two cycles to move the result to the ADC data register.

NOTE: *To prevent excess power dissipation, do not simultaneously use an I/O port pin as a digital input and an analog input.*

While the ADC is on, the selected analog input reads as logic 0. The port C pins that are not selected read normally.

An analog input voltage equal to V_{RH} converts to digital \$FF; an input voltage greater than V_{RH} converts to \$FF with no overflow. An analog input voltage less than V_{SS} converts to digital \$00. For ratiometric conversion, the source of each analog input should use V_{RH} as the supply voltage and be referenced to V_{SS} .

The clock frequency must be equal to or greater than 1 MHz. If the internal clock frequency is less than 1 MHz, the internal RC oscillator (nominally 1.5 MHz) must be used for the ADC conversion clock. Make this selection by setting the ADRC bit to logic 1 in the ADC status and control register.

Interrupts

The ADC cannot generate interrupt requests.

Timing and Electrical Characteristics

Table 25. ADC Characteristics ($V_{DD} = 5.0 \text{ Vdc}$)⁽¹⁾

Characteristic	Symbol	Min	Max	Unit
Resolution	—	8	8	Bit
Absolute Accuracy ($4.0 > V_{RH} > V_{DD}$) ⁽²⁾	—	—	±1.5	LSB
Conversion Range ($PC7/V_{RH}$)	—	V_{SS}	V_{DD}	V
Conversion Time (Includes Sampling Time)				
External Clock	—	32	32	t_{AD} ⁽³⁾
Internal RC Oscillator (ADRC = 1)		32	32	μs
Monotonicity	—	Inherent (Within Total Error)		
Analog Input Voltage	V_{IN}	V_{SS}	V_{RH}	V
Zero Input Reading ($V_{IN} = 0 \text{ V}$)	—	00	01	Hex
Full-Scale Reading ($V_{IN} = V_{RH}$)	—	FE	FF	Hex
Sample Acquisition Time ⁽⁴⁾				
External Clock	—	12	12	t_{AD} ⁽⁵⁾
Internal RC Oscillator (ADRC = 1)		—	12	μs
Input Capacitance PC6/AN0, PC5/AN1, PC4/AN2, PC3/AN3	C_{IN}	—	12	pF
Input Leakage ⁽⁶⁾ PC6/AN0, PC5/AN1, PC4/AN2, PC3/AN3 PC7/ V_{RH}	—	—	±1 ±1	μA
ADC On Current Stabilization Time	t_{ADON}	—	100	μs
ADC RC Stabilization Time (ADRC = 1)	t_{ADRC}	—	100	μs

- $V_{DD} = 5.0 \text{ Vdc} \pm 10\%$, $V_{SS} = 0 \text{ Vdc}$
- ADC accuracy may decrease proportionately as V_{RH} is reduced below 4.0 V.
- t_{AD} = cycle time of the A/D converter
- Source impedances more than 10 kΩ adversely affect internal RC charging time during input sampling.
- $t_{AD} = t_{CYC} (1 \div f_{OP})$ if MCU clock is clock source
- External system error caused by input leakage approximately equals R source times input current.

I/O Registers

The following registers control and monitor operation of the ADC:

- ADC status and control register (ADSCR)
- ADC data register (ADDR)

ADC Status and Control Register

The ADC status and control register (ADSCR) contains a conversion complete flag and four writable control bits. Writing to ADSCR clears the conversion complete flag and starts a new conversion sequence.

\$001E	Bit 7	6	5	4	3	2	1	Bit 0
Read:	CCF	ADRC	ADON	0	0	CH2	CH1	CH0
Write:								
Reset:	0	0	0	0	0	0	0	0


 = Unimplemented

Figure 68. ADC Status and Control Register (ADSCR)

CCF — Conversion Complete Flag

This read-only bit is automatically set when an analog-to-digital conversion is complete, and a new result can be read from the ADC data register. Clear the CCF bit by writing to the ADC status and control register or by reading the ADC data register. Resets clear the CCF bit.

- 1 = Conversion complete
- 0 = Conversion not complete

ADRC — ADC RC (Oscillator)

This read/write bit turns on the internal RC oscillator to drive the ADC. If the internal clock frequency (f_{OP}) is less than 1 MHz, ADRC must be set. When the RC oscillator is turned on, it requires a time, t_{ADRC} , to stabilize, and results can be inaccurate during this time. Resets clear the ADRC bit.

1 = Internal RC oscillator drives ADC

0 = Internal clock drives ADC

When the internal RC oscillator is being used as the ADC clock, two limitations apply:

- Because of the frequency tolerance of the RC oscillator and its asynchronism with the internal clock, the conversion complete flag must be used to determine when a conversion sequence is complete.
- The conversion process runs at the nominal 1.5-MHz rate, but the conversion results must be transferred to the ADC data register synchronously with the internal clock; therefore, the conversion process is limited to a maximum of one channel every internal clock cycle.

ADON — ADC On

This read/write bit turns on the ADC. When the ADC is on, it requires a time, t_{ADON} , for the current sources to stabilize. During this time, results can be inaccurate. Resets clear the ADON bit.

1 = ADC turned on

0 = ADC turned off

Bits 4 and 3 — Not used

Bits 4 and 3 always read as logic 0s.

CH[2:0] — Channel Select Bits

These read/write bits select one of eight ADC input channels as shown in [Table 26](#). Channels 0–3 are the input pins, PC3/AN3, PC4/AN2, PC5/AN1, and PC6/AN0. Channels 4–6 can be used for reference measurements. Channel 7 is reserved for factory testing.

Table 26. ADC Input Channel Selection

CH[2:1:0]	Channel	Signal
000	0	AN0
001	1	AN1
010	2	AN2
011	3	AN3
100	4	V_{RH} (see Note 1)
101	5	$(V_{RH} + V_{SS}) / 2$ (see Note 1)
110	6	V_{SS} (see Note 1)
111	7	Reserved

NOTE:

1. The accuracy of these measurements are untested and not guaranteed.

To prevent excess power dissipation, do not use an ADC pin as an analog input and a digital input at the same time.

Using one of the port pins as the ADC input does not affect the ability to use the remaining port pins as digital inputs.

Reading a port pin that is selected as an analog input returns a logic 0.

ADC Data Register The ADC data register (ADDR) is a read-only register that contains the result of the most recent analog-to-digital conversion.

\$001D	Bit 7	6	5	4	3	2	1	Bit 0
Read:	Bit 7	6	5	4	3	2	1	Bit 0
Write:								
Reset:	Unaffected by reset							

Figure 69. ADC Data Register (ADDR)

Low-Power Modes

Stop Mode The STOP instruction turns off the ADC and aborts any current and pending conversions.

Wait Mode The ADC continues to operate normally after the WAIT instruction. To reduce power consumption in wait mode:

- If the ADC is not being used, clear both the ADON and ADRC bits before entering wait mode.
- If the ADC is being used and the internal clock rate is above 1 MHz, clear the ADRC bit before entering wait mode.

Contents

Maximum Ratings128
Operating Temperature Range128
Thermal Characteristics.....129
Power Considerations129
5.0 V DC Electrical Characteristics130
3.3 V DC Electrical Characteristics131
Driver Characteristics134
Typical Supply Current vs. Internal Clock Frequency135
Maximum Supply Current vs. Internal Clock Frequency136
5.0 V Control Timing137
3.3 V Control Timing138
Test Load.....139
Mechanical Specifications.....139
 28-Pin PDIP — Case #710140
 28-Pin SOIC — Case #751F140

Maximum Ratings

Maximum ratings are the extreme limits to which the MCU can be exposed without permanently damaging it.

The MCU contains circuitry to protect the inputs against damage from high static voltages; however, do not apply voltages higher than those shown in **Table 27**. Keep V_{IN} and V_{OUT} within the range $V_{SS} \leq (V_{IN} \text{ or } V_{OUT}) \leq V_{DD}$. Connect unused inputs to the appropriate voltage level, either V_{SS} or V_{DD} .

Table 27. Maximum Ratings

Rating	Symbol	Value	Unit
Supply Voltage	V_{DD}	-0.3 to +7.0	V
Current Drain per Pin (Excluding V_{DD} and V_{SS})	I	25	mA
Input Voltage	V_{IN}	$V_{SS} - 0.3$ to $V_{DD} + 0.3$	V
EPROM Programming Voltage	V_{PP}	16.75	V
Storage Temperature Range	T_{STG}	-65 to +150	°C

NOTE: This device is not guaranteed to operate properly at the maximum ratings. Refer to **5.0 V DC Electrical Characteristics** on page 130 and **3.3 V DC Electrical Characteristics** on page 132 for guaranteed operating conditions.

Operating Temperature Range

Table 28. Operating Temperature Range

Package Type	Symbol	Value	Unit
MC68HC05P9P ⁽¹⁾ , DW ⁽²⁾ (Standard) MC68HC05P9C ⁽³⁾ P, CDW (Extended) MC68HC05P9V ⁽⁴⁾ P, VDW (Automotive) MC68HC05P9M ⁽⁵⁾ P, MDW (Automotive)	T_A	0 to 70 -40 to +85 -40 to +105 -40 to +125	°C

1. P = Plastic dual in-line package (PDIP)
2. DW = Small outline integrated circuit (SOIC)
3. C = Extended temperature range (-40 to +85 °C)
4. V = Automotive temperature range (-40 to +105 °C)
5. M = Automotive temperature range (-40 to +125 °C)

Thermal Characteristics

Table 29. Thermal Characteristics

Characteristic	Symbol	Value	Unit
Thermal Resistance Plastic Dual In-Line Package (PDIP) Small Outline Integrated Circuit (SOIC)	θ_{JA}	60 60	$^{\circ}\text{C}/\text{W}$

Power Considerations

The average chip junction temperature, T_J , in $^{\circ}\text{C}$ can be obtained from:

$$T_J = T_A + (P_D \times \theta_{JA}) \tag{1}$$

where:

T_A = ambient temperature in $^{\circ}\text{C}$

θ_{JA} = package thermal resistance, junction to ambient in $^{\circ}\text{C}/\text{W}$

$P_D = P_{INT} + P_{I/O}$

$P_{INT} = I_{CC} \times V_{CC}$ = chip internal power dissipation

$P_{I/O}$ = power dissipation on input and output pins (user-determined)

For most applications, $P_{I/O} \ll P_{INT}$ and can be neglected.

Ignoring $P_{I/O}$, the relationship between P_D and T_J is approximately:

$$P_D = \frac{K}{T_J + 273 \text{ }^{\circ}\text{C}} \tag{2}$$

Solving equations (1) and (2) for K gives:

$$K = P_D \times (T_A + 273 \text{ }^{\circ}\text{C}) + \theta_{JA} \times (P_D)^2 \tag{3}$$

where K is a constant pertaining to the particular part. K can be determined from equation (3) by measuring P_D (at equilibrium) for a known T_A . Using this value of K, the values of P_D and T_J can be obtained by solving equations (1) and (2) iteratively for any value of T_A .

5.0 V DC Electrical Characteristics

Table 30. DC Electrical Characteristics ($V_{DD} = 5.0 \text{ Vdc}$)⁽¹⁾

Characteristic	Symbol	Min	Typ ⁽²⁾	Max	Unit
Output Voltage $I_{Load} = 10.0 \mu\text{A}$ $I_{Load} = -10.0 \mu\text{A}$	V_{OL} V_{OH}	— $V_{DD} - 0.1$	— —	0.1 —	V
Output High Voltage PA7-PA0, PB7/SCK-PB5/SDO, PC7/ V_{RH} -PC2, PD5, TCMP ($I_{Load} = -0.8 \text{ mA}$) PC1-PC0 ($I_{Load} = -5.0 \text{ mA}$)	V_{OH}	$V_{DD} - 0.8$	—	—	V
Output Low Voltage PA7-PA0, PB7/SCK-PB5/SDO, PC7/ V_{RH} -PC2, PD5, TCMP ($I_{Load} = 1.6 \text{ mA}$) PC1-PC0 ($I_{Load} = 10 \text{ mA}$)	V_{OL}	—	—	0.4	V
Input High Voltage PA7-PA0, PB7/SCK-PB5/SDO, PC7/ V_{RH} -PC0, PD5, PD7/TCAP, $\overline{\text{IRQ}}$, $\overline{\text{RESET}}$, OSC1	V_{IH}	$0.7 \times V_{DD}$	—	V_{DD}	V
Input Low Voltage PA7-PA0, PB7/SCK-PB5/SDO, PC7/ V_{RH} -PC0, PD5, PD7/TCAP, $\overline{\text{IRQ}}$, $\overline{\text{RESET}}$, OSC1	V_{IL}	V_{SS}	—	$0.2 \times V_{DD}$	V
Supply Current ^{(3) (4) (5)} Run Mode Wait Mode (ADC On) Wait Mode (ADC Off) Stop Mode 25 °C 0 to 70 °C (Standard) -40 to 125 °C	I_{DD}	— — — — — — —	4.0 2.0 1.3 2 — — —	7.0 4.0 2.0 30 50 100	mA mA mA μA μA μA
I/O Ports Hi-Z Leakage Current PA7-PA0, PB7/SCK-PB5/SDO, PC7/ V_{RH} -PC0, PD5	I_{IL}	—	—	± 10	μA
ADC Ports Hi-Z Leakage Current	I_{OZ}	—	—	± 1	μA
Input Current $\overline{\text{RESET}}$, $\overline{\text{IRQ}}$, OSC1, PD7/TCAP	I_{IN}	—	—	± 1	μA

Table 30. DC Electrical Characteristics ($V_{DD} = 5.0 \text{ Vdc}$)⁽¹⁾ (Continued)

Characteristic	Symbol	Min	Typ ⁽²⁾	Max	Unit
Input Pullup Current ⁽⁶⁾ PA7–PA0 with Pullup Enabled)	I_{INPU}	175	385	750	μA
Capacitance Ports (As Inputs or Outputs) $\overline{\text{RESET}}$, $\overline{\text{IRQ}}$	C_{OUT} C_{IN}	— —	— —	12 8	pF

- $V_{DD} = 5.0 \text{ Vdc} \pm 0.3 \text{ Vdc}$, $V_{SS} = 0 \text{ Vdc}$, $T_A = -40 \text{ }^\circ\text{C}$ to $+85 \text{ }^\circ\text{C}$, unless otherwise noted.
- Typical values reflect measurements taken on average processed devices at the midpoint of voltage range, $25 \text{ }^\circ\text{C}$ only
- Run (operating) I_{DD} measured using external square wave clock source; all I/O pins configured as inputs, port B = V_{DD} , all other inputs $V_{IL} = 0.2 \text{ V}$, $V_{IH} = V_{DD} - 0.2 \text{ V}$; no DC loads; less than 50 pF on all outputs; $C_L = 20 \text{ pF}$ on OSC2.
- Wait I_{DD} measured using external square wave clock source; all I/O pins configured as inputs, port B = V_{DD} , all other inputs $V_{IL} = 0.2 \text{ V}$, $V_{IH} = V_{DD} - 0.2 \text{ V}$; no DC loads; less than 50 pF on all outputs; $C_L = 20 \text{ pF}$ on OSC2. Wait I_{DD} is affected linearly by the OSC2 capacitance.
- Stop mode I_{DD} measured with $\text{OSC1} = 0.2 \text{ V}$; all I/O pins configured as inputs, port B = V_{DD} , all other inputs $V_{IL} = 0.2 \text{ V}$, $V_{IH} = V_{DD} - 0.2 \text{ V}$.
- Input pullup current measured with $V_{IL} = 0.2 \text{ V}$.

3.3 V DC Electrical Characteristics

Table 31. DC Electrical Characteristics ($V_{DD} = 3.3 \text{ Vdc}$)⁽¹⁾

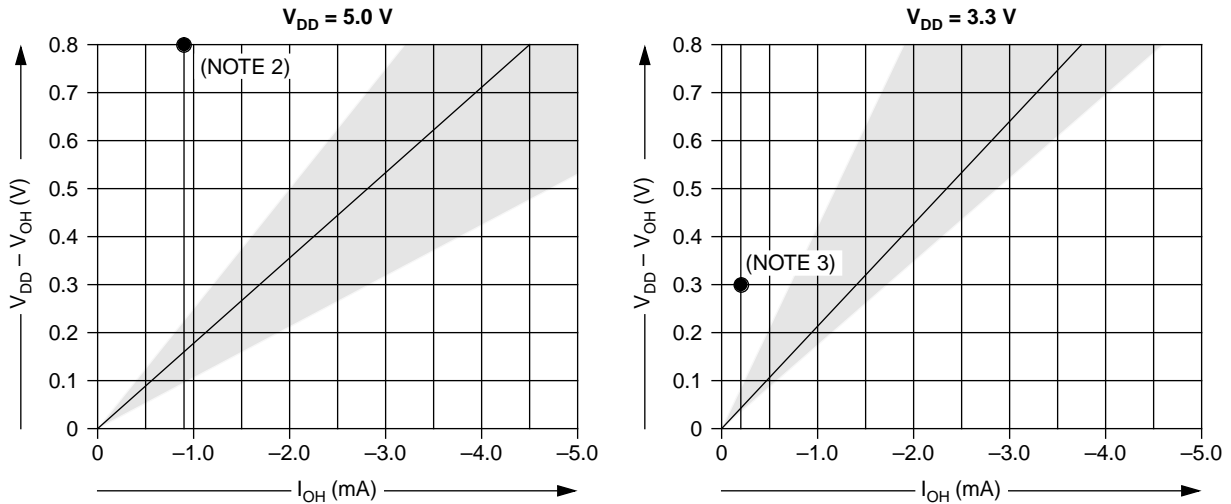
Characteristic	Symbol	Min	Typ ⁽²⁾	Max	Unit
Output Voltage ($I_{LOAD} \leq 10.0 \mu\text{A}$)	V_{OL} V_{OH}	— $V_{DD} - 0.1$	— —	0.1 —	V
Output High Voltage ($I_{LOAD} = -0.2 \text{ mA}$) PA7-PA0, PB7/SCK-PB5/SDO, PC7/ V_{RH} -PC2, PD5, TCMP ($I_{Load} = -0.2 \text{ mA}$) PC1-PC0 ($I_{Load} = 1.2 \text{ mA}$)	V_{OH}	$V_{DD} - 0.3$	—	—	V
Output Low Voltage ($I_{LOAD} = 0.4 \text{ mA}$) PA7-PA0, PB7/SCK-PB5/SDO, PC7/ V_{RH} -PC2, PD5, TCMP ($I_{Load} = 0.4 \text{ mA}$) PC1-PC0 ($I_{Load} = 2.5 \text{ mA}$)	V_{OL}	—	—	0.3	V
Input High Voltage PA7-PA0, PB7/SCK-PB5/SDO, PC7/ V_{RH} -PC0, PD5, PD7/TCAP, $\overline{\text{IRQ}}$, $\overline{\text{RESET}}$, OSC1	V_{IH}	$0.7 \times V_{DD}$	—	V_{DD}	V
Input Low Voltage PA7-PA0, PB7/SCK-PB5/SDO, PC7/ V_{RH} -PC0, PD5, PD7/TCAP, $\overline{\text{IRQ}}$, $\overline{\text{RESET}}$, OSC1	V_{IL}	V_{SS}	—	$0.2 \times V_{DD}$	V
Data-Retention Mode Supply Voltage	V_{RM}	2.0	—	—	V
Supply Current ^{(3) (4) (5)}					
Run Mode		—	1.3	2.5	mA
Wait Mode (ADC On)		—	1.0	1.4	mA
Wait Mode (ADC Off)		—	0.6	1.0	mA
Stop Mode	I_{DD}				
25 °C		—	2.0	20	μA
0 to 70 °C (Standard)		—	—	40	μA
-40 to 125 °C		—	—	50	μA
I/O Ports Hi-Z Leakage Current PA7-PA0, PB7/SCK-PB5/SDO, PC7/ V_{RH} -PC0, PD5	I_{IL}	—	—	± 10	μA
Input Current $\overline{\text{RESET}}$, $\overline{\text{IRQ}}$, OSC1, PD7/TCAP	I_{IN}	—	—	± 1	μA

Table 31. DC Electrical Characteristics ($V_{DD} = 3.3 \text{ Vdc}$)⁽¹⁾ (Continued)

Characteristic	Symbol	Min	Typ ⁽²⁾	Max	Unit
Input Pullup Current ⁽⁶⁾ PA7–PA0 with Pullup Enabled)	I_{INPU}	75	175	350	μA
Capacitance Ports (As Inputs or Outputs) RESET, $\overline{\text{IRQ}}$	C_{OUT} C_{IN}	— —	— —	12 8	pF

- $V_{DD} = 3.3 \text{ Vdc} \pm 0.3 \text{ Vdc}$, $V_{SS} = 0 \text{ Vdc}$, $T_A = -40 \text{ }^\circ\text{C}$ to $+85 \text{ }^\circ\text{C}$, unless otherwise noted
- Typical values reflect measurements taken on average processed devices at the midpoint of voltage range, $25 \text{ }^\circ\text{C}$ only
- Run (operating) I_{DD} measured using external square wave clock source; all I/O pins configured as inputs, port B = V_{DD} , all other inputs $V_{IL} = 0.2 \text{ V}$, $V_{IH} = V_{DD} - 0.2 \text{ V}$; no DC loads; less than 50 pF on all outputs; $C_L = 20 \text{ pF}$ on OSC2.
- Wait I_{DD} measured using external square wave clock source; all I/O pins configured as inputs, port B = V_{DD} , all other inputs $V_{IL} = 0.2 \text{ V}$, $V_{IH} = V_{DD} - 0.2 \text{ V}$; no DC loads; less than 50 pF on all outputs; $C_L = 20 \text{ pF}$ on OSC2. Wait I_{DD} is affected linearly by the OSC2 capacitance.
- Stop mode I_{DD} measured with OSC1 = 0.2 V ; all I/O pins configured as inputs, port B = V_{DD} , all other inputs $V_{IL} = 0.2 \text{ V}$, $V_{IH} = V_{DD} - 0.2 \text{ V}$.
- Input pullup current measured with $V_{IL} = 0.2 \text{ V}$.

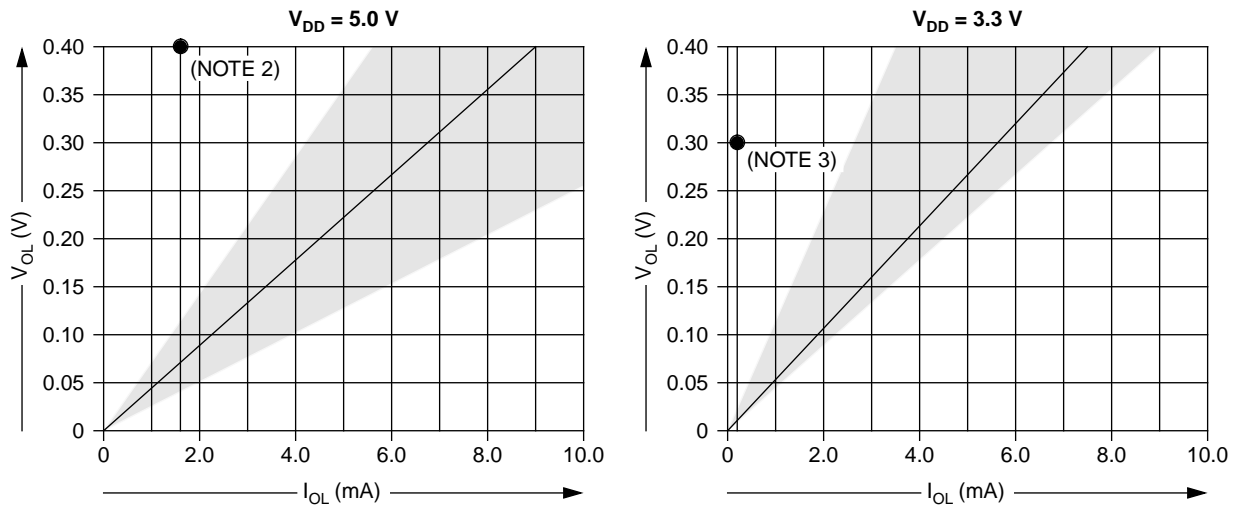
Driver Characteristics



NOTES:

1. Shaded area indicates variation in driver characteristics due to changes in temperature and for normal processing tolerances. Within the limited range of values shown, V versus I curves are approximately straight lines.
2. At $V_{DD} = 5.0\text{ V}$, devices are specified and tested for $V_{OL} \leq 800\text{ mV}$ @ $I_{OL} = -0.8\text{ mA}$.
3. At $V_{DD} = 3.3\text{ V}$, devices are specified and tested for $V_{OL} \leq 300\text{ mV}$ @ $I_{OL} = -0.2\text{ mA}$.

Figure 70. Typical High-Side Driver Characteristics



NOTES:

1. Shaded area indicates variation in driver characteristics due to changes in temperature and for normal processing tolerances. Within the limited range of values shown, V versus I curves are approximately straight lines.
2. At $V_{DD} = 5.0\text{ V}$, devices are specified and tested for $V_{OL} \leq 400\text{ mV}$ @ $I_{OL} = 1.6\text{ mA}$.
3. At $V_{DD} = 3.3\text{ V}$, devices are specified and tested for $V_{OL} \leq 300\text{ mV}$ @ $I_{OL} = 0.4\text{ mA}$.

Figure 71. Typical Low-Side Driver Characteristics

Typical Supply Current vs. Internal Clock Frequency

Freescale Semiconductor, Inc.

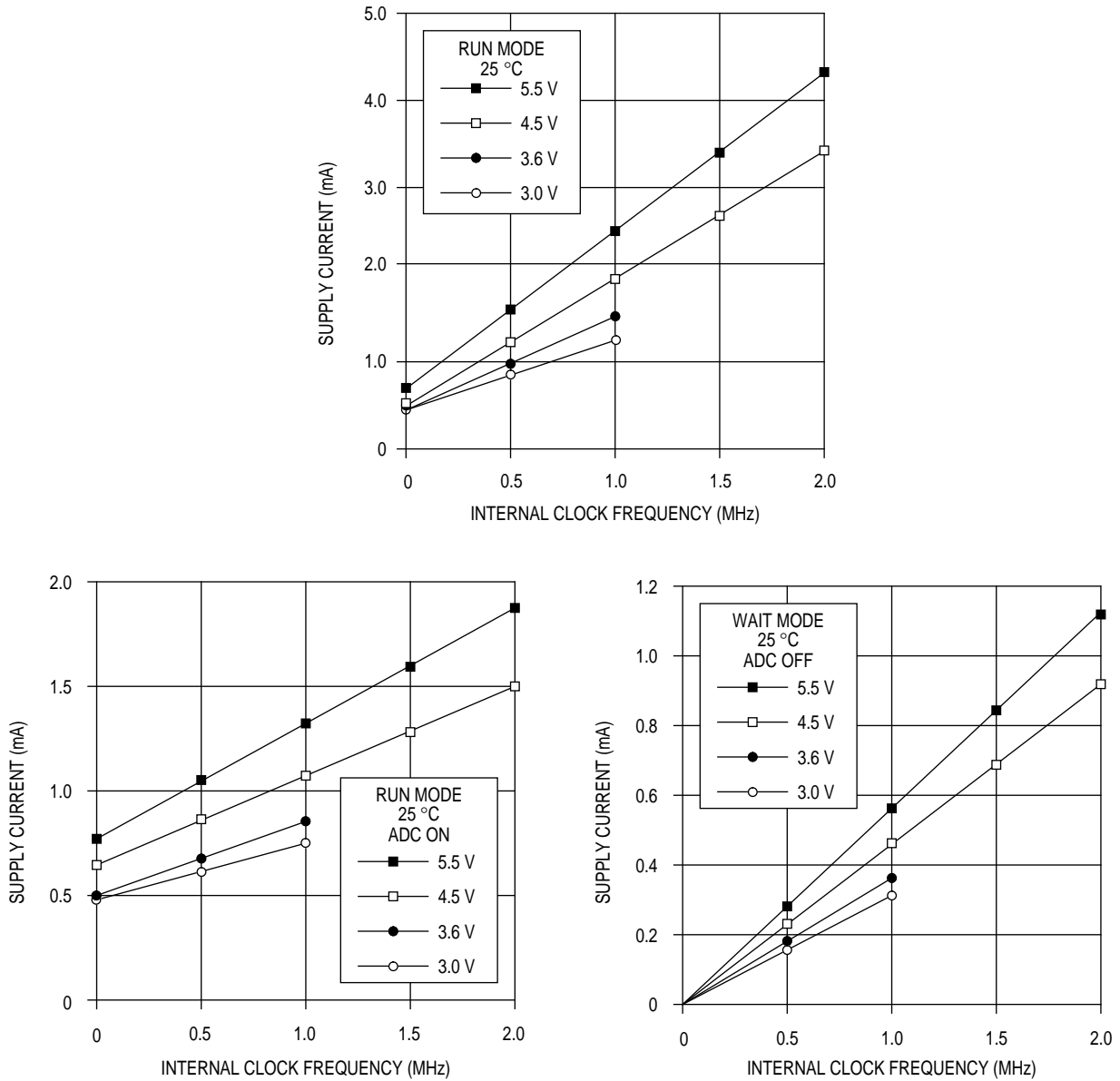


Figure 72. Typical Supply Current vs. Internal Clock Frequency

Maximum Supply Current vs. Internal Clock Frequency

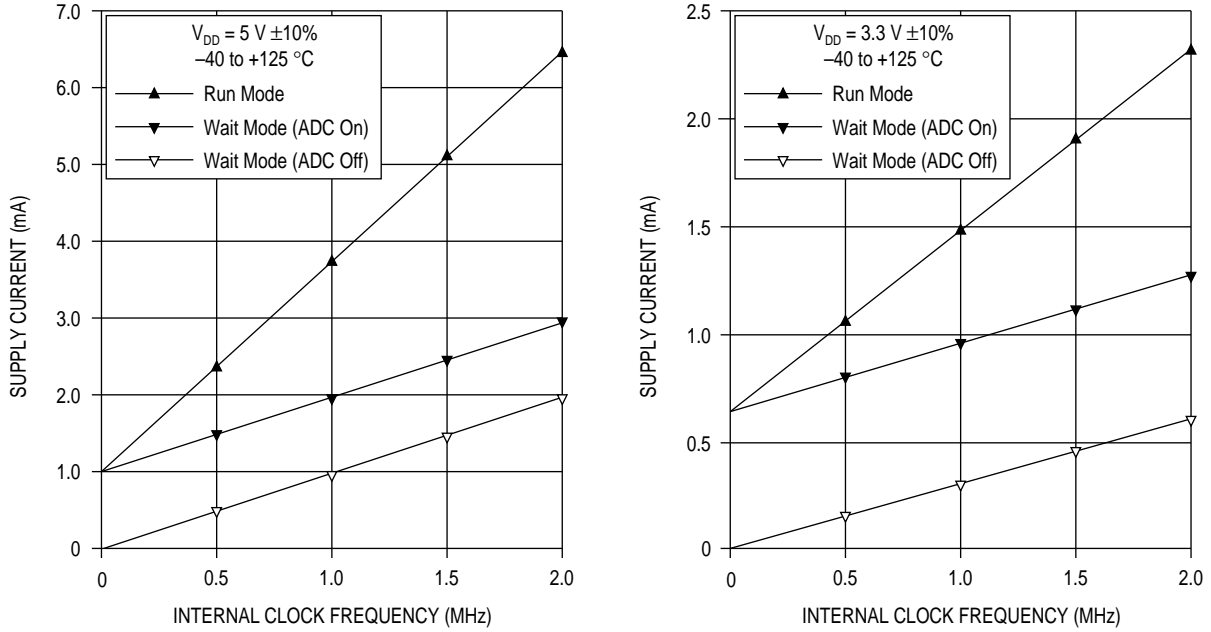


Figure 73. Maximum Supply Current vs. Internal Clock Frequency

5.0 V Control Timing

Table 32. Control Timing ($V_{DD} = 5.0 \text{ Vdc}$)⁽¹⁾

Characteristic	Symbol	Min	Max	Unit
Oscillator Frequency Crystal External Clock	f_{OSC}	— dc	4.2 4.2	MHz
Internal Operating Frequency ($f_{OSC} \div 2$) Crystal External Clock	f_{OP}	— dc	2.1 2.1	MHz
Cycle Time ($1 \div f_{OP}$)	t_{CYC}	480	—	ns
Crystal Oscillator Startup Time	t_{OXOV}	—	100	ms
Stop Recovery Startup Time (Crystal Oscillator)	t_{ILCH}	—	100	ms
RESET Pulse Width	t_{RL}	1.5	—	t_{CYC}
Timer Resolution ⁽²⁾ Input Capture Pulse Width Input Capture Pulse Period	t_{RESL} t_H, t_L t_{TLTL}	4.0 125 Note ⁽³⁾	— — —	t_{CYC} ns t_{CYC}
Interrupt Pulse Width Low (Edge-Triggered)	t_{ILIH}	125	—	ns
Interrupt Pulse Period	t_{ILIL}	Note ⁽⁴⁾	—	t_{CYC}
OSC1 Pulse Width	t_{OH}, t_{OL}	90	—	ns
RC Oscillator Stabilization Time	t_{RCON}	—	5	μs
ADC On Current Stabilization Time	t_{ADON}	—	100	μs

- $V_{DD} = 5.0 \text{ Vdc} \pm 10\%$, $V_{SS} = 0 \text{ Vdc}$, $T_A = T_L$ to T_H unless otherwise noted
- A 2-bit prescaler in the timer is the limiting factor as it counts 4 t_{CYC}
- The minimum t_{TLTL} should not be less than the number of interrupt service routine cycles plus 19 t_{CYC}
- The minimum t_{ILIL} should not be less than the number of interrupt service routine cycles plus 19 t_{CYC}

3.3 V Control Timing

Table 33. Control Timing ($V_{DD} = 3.3 \text{ Vdc}$)⁽¹⁾

Characteristic	Symbol	Min	Max	Unit
Oscillator Frequency Crystal External Clock	f_{OSC}	— dc	2.0 2.0	MHz
Internal Operating Frequency ($f_{OSC} \div 2$) Crystal External Clock	f_{OP}	— dc	1.0 1.0	MHz
Cycle Time ($1 \div f_{OP}$)	t_{CYC}	1	—	ms
Crystal Oscillator Startup Time	t_{OXOV}	—	100	ms
Stop Recovery Startup Time (Crystal Oscillator)	t_{LCH}	—	100	ms
RESET Pulse Width	t_{RL}	1.5	—	t_{CYC}
Timer Resolution ⁽²⁾ Input Capture Pulse Width Input Capture Pulse Period	t_{RESL} t_H, t_L t_{TLTL}	4.0 250 Note ⁽³⁾	— — —	t_{CYC} ns t_{CYC}
Interrupt Pulse Width Low (Edge-Triggered)	t_{LIH}	250	—	ns
Interrupt Pulse Period	t_{LIL}	Note ⁽⁴⁾	—	t_{CYC}
OSC1 Pulse Width	t_{OH}, t_{OL}	200	—	ns

- $V_{DD} = 3.3 \text{ Vdc} \pm 10\%$, $V_{SS} = 0 \text{ Vdc}$, $T_A = T_L$ to T_H unless otherwise noted
- A 2-bit prescaler in the timer is the limiting factor as it counts 4 t_{CYC}
- The minimum t_{TLTL} should not be less than the number of interrupt service routine cycles plus 19 t_{CYC}
- The minimum t_{LIL} should not be less than the number of interrupt service routine cycles plus 19 t_{CYC}

Test Load

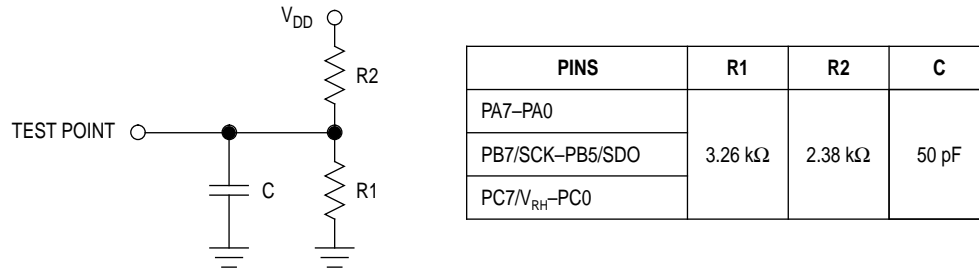


Figure 74. Test Load

Mechanical Specifications

The MC68HC05P9A is available in the following packages:

- 710 — Plastic dual in-line package (PDIP)
- 751F — Small outline integrated circuit (SOIC)

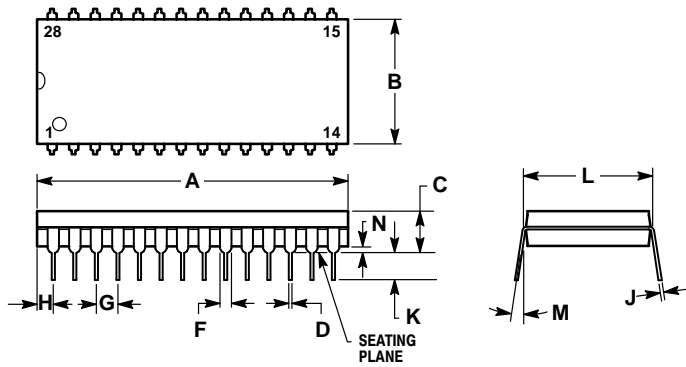
The following figures show the latest packages at the time of this publication. To make sure that you have the latest package specifications, contact one of the following:

- Local Motorola Sales Office
- Motorola Mfax
 - Phone 602-244-6609
 - EMAIL rmfax0@email.sps.mot.com
- Worldwide Web (wwweb) at <http://design-net.com>

Follow Mfax or wwweb on-line instructions to retrieve the current mechanical specifications.

Specifications

28-Pin PDIP —
Case #710

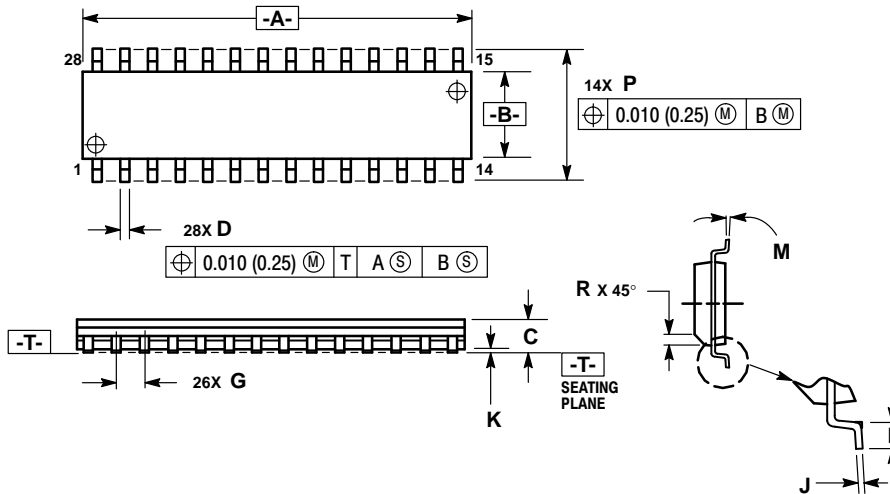


NOTES:

1. POSITIONAL TOLERANCE OF LEADS (D), SHALL BE WITHIN 0.25mm (0.010) AT MAXIMUM MATERIAL CONDITION, IN RELATION TO SEATING PLANE AND EACH OTHER.
2. DIMENSION L TO CENTER OF LEADS WHEN FORMED PARALLEL.
3. DIMENSION B DOES NOT INCLUDE MOLD FLASH.

DIM	MILLIMETERS		INCHES	
	MIN	MAX	MIN	MAX
A	36.45	37.21	1.435	1.465
B	13.72	14.22	0.540	0.560
C	3.94	5.08	0.155	0.200
D	0.36	0.56	0.014	0.022
F	1.02	1.52	0.040	0.060
G	2.54 BSC		0.100 BSC	
H	1.65	2.16	0.065	0.085
J	0.20	0.38	0.008	0.015
K	2.92	3.43	0.115	0.135
L	15.24 BSC		0.600 BSC	
M	0°	15°	0°	15°
N	0.51	1.02	0.020	0.040

28-Pin SOIC —
Case #751F



NOTES:

1. DIMENSIONING AND TOLERANCING PER ANSI Y14.5M, 1982.
2. CONTROLLING DIMENSION: MILLIMETER.
3. DIMENSION A AND B DO NOT INCLUDE MOLD PROTRUSION.
4. MAXIMUM MOLD PROTRUSION 0.15 (0.006) PER SIDE.
5. DIMENSION D DOES NOT INCLUDE DAMBAR PROTRUSION. ALLOWABLE DAMBAR PROTRUSION SHALL BE 0.13 (0.005) TOTAL IN EXCESS OF D DIMENSION AT MAXIMUM MATERIAL CONDITION.

DIM	MILLIMETERS		INCHES	
	MIN	MAX	MIN	MAX
A	17.80	18.05	0.701	0.711
B	7.40	7.60	0.292	0.299
C	2.35	2.65	0.093	0.104
D	0.35	0.49	0.014	0.019
F	0.41	0.90	0.016	0.035
G	1.27 BSC		0.050 BSC	
J	0.23	0.32	0.009	0.013
K	0.13	0.29	0.005	0.011
M	0°	8°	0°	8°
P	10.05	10.55	0.395	0.415
R	0.25	0.75	0.010	0.029

Freescale Semiconductor, Inc.

A

accumulator (A)	34, 37
ADC	73, 117
ADC (analog-to-digital converter)	
block diagram	118
features	117
I/O register summary	119
I/O registers	122
low-power modes	125
ADC data register (ADDR)	120, 122–123, 125
ADC status and control register (ADSCR)	120, 122
addressing modes	34
ADON bit	123, 125
ADRC bit	120, 123, 125
alternate timer registers (ATRH/L)	99
ALU	28
AN[3:0] bits	73
analog-to-digital converter	117
arithmetic/logic unit (ALU)	30

B

brownout	52, 80
bypass capacitors	15

C

C bit	39
case outlines	12, 140
CCF bit	120, 122
central processor unit	27
ceramic resonator circuit	16
CH[2:0] bits	124
computer operating properly watchdog	79
condition code register (CCR)	30, 39, 53, 55–56, 98–101
COP	79
COP register (COPR)	52, 81
COP watchdog	
COP in halt mode	82
COP in stop mode	82
COP in wait mode	83
COP register (COPR)	81
features	79
operation	80
timeout period	80
COP watchdog reset	52, 80–81
COPC bit	52, 81, 83
CPU	27–28
block diagram	29
control unit	28, 30
features	28
instruction set summary	42
instruction types	37
instructions set	34
opcode map	48
registers	30
CPU registers	24, 34, 37, 41, 56
accumulator (A)	34, 37
condition code register (CCR)	30, 39, 53, 55–56, 98–101
index register (X)	34–37
program counter (PC)	36, 39, 50, 56
stack pointer (SP)	24

crystal
 AT-cut 16
 strip 16
 tuning fork 16
 crystal oscillator circuit 16

D

data direction registers 107, 112
 data direction register A (DDRA) 18, 68
 data direction register B (DDRB) 18, 71
 data direction register C (DDRC) 18, 74
 data direction register D (DDRD) 18, 77
 DCOL bit 115
 DDRA[7:0] bits 68
 DDRB[7:5] bits 71
 DDRC[7:0] bits 74
 DDRD5 bit 77

E

electrical specifications 127
 3.3 V DC electrical characteristics 132
 5.0 V DC electrical characteristics 130
 control timing 137–138
 current versus internal clock frequency 135–136
 driver characteristics 134
 maximum ratings 128
 operating temperature range 128
 power considerations 129
 test load 139
 thermal characteristics 129
 electrostatic damage 66
 external interrupt 17, 53–54, 82, 102
 external interrupt vector 56
 external reset 51, 82, 102

H

halt mode	61
effect on COP watchdog	82
halt instruction flowchart	62

I

I bit	53, 55–56, 98–101
I/O bits	
ADON bit	123, 125
ADRC bit	120, 123, 125
AN[3:0] bits	73
C bit	39
CCF bit	120, 122
CH[2:0] bits	124
COPC bit	52, 81, 83
DCOL bit	115
DDRA[7:0] bits	68
DDRB[7:5] bits	71
DDRC[7:0] bits	74
DDRD5 bit	77
I bit	53, 55–56, 98–101
ICF bit	55, 94, 97, 100, 102
ICIE bit	55, 94–95
IEDG bit	96
MSTR bit	113
OCF bit	55, 94, 97, 101
OCIE bit	55, 94–95
OLVL bit	90, 96
PA[7:0] bits	67
PB[7:5] bits	70
PC[7:0] bits	73
PD5 bit	76
PD7 bit	76
SPE bit	107, 112, 115
SPIF bit	114
TOF bit	56, 94, 97–99
TOIE bit	56, 94–95

I/O pins	
$\overline{\text{IRQ}}$ pin	17, 53
$\overline{\text{IRQ}}/V_{\text{PP}}$ pin	53
OSC1 pin	15
OSC2 pin	15
PB5/SDO pin	71, 107–108, 112
PB6/SDI pin	71, 107–108, 112
PB7/SCK pin	71, 107–108, 112
PC3/AN0 pin	124
PC3/AN3 pin	73, 119
PC4/AN2 pin	73, 119, 124
PC5/AN1 pin	73, 119, 124
PC6/AN0 pin	73, 119, 124
PC7/ V_{RH} pin	, 119
PD7/TCAP pin	76, 89, 96–97
$\overline{\text{RESET}}$ pin	17, 50–52
TCMP pin	18, 89–90, 96, 101
V_{SS} pin	15
I/O port pin termination	66
I/O registers	
ADC data register (ADDR)	120, 122–123, 125
ADC status and control register (ADSCR)	120, 122
alternate timer registers (ATRH/L)	99
COP register (COPR)	52, 81
data direction register A (DDRA)	68
data direction register B (DDRB)	71
data direction register C (DDRC)	74
data direction register D (DDRD)	77
input capture registers (ICRH/ICRL)	89
input capture registers (ICRH/L)	96–97, 100, 102
output compare registers (OCRH/L)	96–97, 101
output compare registers (OCRH/OCRL)	90
port A data register (PORTA)	67
port B data register (PORTB)	70
port C data register (PORTC)	73
port D data register (PORTD)	76
SIOP control register (SCR)	107, 112, 115
SIOP data register (SDR)	114–115

SIOP status register (SSR)	114
timer control register (TCR)	55–56, 95
timer registers (TRH/L)	96–98
timer status register (TSR)	55–56, 96, 100–101
ICF bit	55, 94, 97, 100, 102
ICIE bit	55, 94–95
IEDG bit	96
index register (X)	34–37
input capture interrupt	86
input capture registers (ICRH/L)	89, 96–97, 100, 102
instruction set	34
addressing modes	34
instruction set summary	42
instruction types	37
opcode map	48
internal clock	80
frequency	15
internal RC oscillator	120, 123
Interrupt	94
interrupts	49
external interrupt	53
external interrupt logic	54
external interrupt timing	54–55
interrupt flowchart	58
interrupt processing	56
interrupt sources	53
interrupt stacking order	57
reset/interrupt vector addresses	57
software interrupt	53
timer interrupts	55
introduction, MC68HC05P9A	9
IRQ latch	53
$\overline{\text{IRQ}}$ pin	17, 53
$\overline{\text{IRQ}}/V_{\text{PP}}$ pin	53

J

junction temperature 129

L

literature updates 153

low voltage protection 52

low-power modes 59

 ADC in stop and wait modes 125

 COP in stop, halt, and wait modes 82

 HALT instruction flowchart 62

 halt mode 61

 SIOP in stop and wait modes 116

 STOP instruction flowchart 62

 stop mode 59

 stop recovery timing 60

 STOP/WAIT clock logic 64

 timer in stop and wait modes 102

 WAIT instruction flowchart 64

 wait mode 63

M

mask options

 COP watchdog enable/disable 80

 SIOP data format 106

mask selectable options

 COP watchdog enable/disable 12

 external interrupt pin enable/disable 12

 keyscan pullups/interrupts on port A enable/disable 12

 SIOP data format 12

 STOP instruction enable/disable 12

mechanical specifications

 packages 139

memory 19

 features 19

 parallel I/O register summary 21

 RAM 24

 ROM 24

 ROM security feature 24

MSTR bit 113

N

noise 15, 17

O

OCF bit 55, 94, 97, 101

OCIE bit 55, 94–95

OLVL bit 90, 96

on-chip oscillator 15

 frequency 15

 stabilization delay 50, 82, 116

opcode map 48

operating temperature 12

operating temperature range 128

order numbers 12

OSC1 pin 15

OSC2 pin 15

output compare interrupt 86, 90

output compare registers (OCRH/L) 90, 96–97, 101

P

PA[7:0] bits 67

package dimensions

 PDIP 140

 SOIC 140

package types 12

parallel I/O ports 65

PB[7:5] bits 70

PB5/SDO pin 71, 107–108, 112

PB6/SDI pin 71, 107–108, 112

PB7/SCK pin 71, 107–108, 112

PB7SCK pin 107

PC[7:0] bits 73

PC3/AN3 pin 73, 119, 124

PC4/AN2 pin 73, 119, 124

PC5/AN1 pin 73, 119, 124

PC6/AN0 pin 73, 119, 124

PC7/V_{RH} pin 73, 119

PD5 bit 76

PD7 bit 76

PD7/TCAP pin 76, 89, 96–97

pin assignments 14

pin descriptions 13

pin functions 15

port A 18, 67

 data direction register A (DDRA) 68

 port A data register (PORTA) 67

 port A I/O pin interrupts/pullups 70

port B 18, 70

 data direction register B (DDRB) 71

 port B data register (PORTB) 70

port C 18, 73

 data direction register C (DDRC) 74

 high current sink/source capability 75

 PC0–PC1 75

 port C data register (PORTC) 73

port D 18, 76

 data direction register D (DDRD) 77

 port D data register (PORTD) 76

ports 66

 parallel I/O port register summary 66

 port A 67

 port B 70

 port C 73

 port D 76

power dissipation 124, 129

power supply (V_{DD}) 15

power-on reset 50

program counter (PC) 36, 39, 50, 56

R

RAM	
locations	24
stack	24
rc oscillator	17
Reading	98
registers	
ADC I/O register summary	119
CPU registers	30
parallel I/O port register summary	66
parallel I/O register summary	21
SIOP I/O register summary	105
timer I/O register summary	88
$\overline{\text{RESET}}$ pin	17, 50–52
reset sources	
COP watchdog	50
power-on	50
$\overline{\text{RESET}}$ pin	50
reset vector	50
resets	49–50
COP watchdog reset	52, 80
COP watchdog reset operation	80
external reset	51
external reset timing	51
low-voltage protection reset	52
power-on reset (POR)	50
power-on reset (POR) timing	51
reset sources	50
reset/interrupt vector addresses	57
resets and interrupts	49

S

self-check mode	25
circuit	26
results	25
serial input/output port	103
SIOP	103

SIOP (serial input/output port)

- block diagram 105
- description 104
- features 104
- I/O register summary 105
- I/O registers 112
- low-power modes 116
- operation 106
- timing 110–111

SIOP control register (SCR) 107, 112, 115

SIOP data register (SDR) 114–115

SIOP status register (SSR) 114

software failure 80

software interrupt vector 56

SPE bit 107, 112, 115

specifications 127

- See "electrical specifications." 128
- See "mechanical specifications." 139

SPIF bit 114

stack pointer (SP) 24

stack RAM 24, 56

stop mode 59

- effect on ADC 125
- effect on capture/compare timer 102
- effect on COP watchdog 82
- effect on SIOP 116
- STOP instruction flowchart 62
- stop recovery timing 60
- STOP/WAIT clock logic 64

supply voltage (V_{DD}) 80, 128

T

TCMP pin	18, 89–90, 96, 101
thermal resistance	129
timer	85
block diagram	87
features	86
I/O register summary	88
I/O registers	94
interrupts	55, 94
low-power modes	102
operation	89
reading	89, 99
timing	91–93
timer control register (TCR)	55–56, 95
timer interrupt vector	56
timer registers (TRH/L)	96–98
timer resolution	89
timer status register (TSR)	55–56, 96, 100–101
TOF bit	56, 94, 97–99
TOIE bit	56, 94–95

V

V_{DD} power supply	15
V_{SS} pin	15

W

wait mode	63
effect on ADC	125
effect on capture/compare timer	102
effect on COP watchdog	83
effect on SIOF	116
STOP/WAIT clock logic	64
WAIT instruction flowchart	64

This document contains the latest data available at publication time. For updates, contact one of the following:

Literature Distribution Centers

Call or order literature by mail.

USA/Europe: Motorola Literature Distribution
P.O. Box 5405
Denver, Colorado 80217
Phone 1-800-441-2447 or 303-675-2140

Japan: Nippon Motorola Ltd. SPD
Strategic Planning Office 4-32-1
Nishi-Gotanda Shinagawa-ku
Tokyo 141, Japan
Phone 81-3-5487-8488

Hong Kong: Motorola Semiconductors H.K. Ltd.
8B Tai Ping Industrial Park
51 Ting Kok Road
Tai Po, N.T., Hong Kong
Phone 852-26629298

Mfax

Call to access this worldwide faxing service.

RMFAX0@email.sps.mot.com

TOUCHTONE 602-244-6609

U.S. and Canada Only 1-800-774-1848

Or, on the <http://Design-NET.com> home page, select the Mfax icon.

Obtain a fax of complete, easy-to-use Mfax instructions by entering your FAX number and then pressing the 1 key.

Motorola SPS World Marketing World Wide Web Server

Use the Internet to access this World Wide Web Server. Use the following URL:

<http://motorola.com/sps>

CSIC Microcontroller Division's Web Site

Directly access the CSIC Microcontroller Division's web site with the following URL:

http://Design-net.com/csic/CSIC_home.html



Please help us to continue improving the quality and usefulness of our data books by filling out this form and sending your comments to us. You can return the form by mail, or FAX it to 512-891-3236.

Thank you for your help and continued support!

1. How do you rate the quality of this data book?

	High		Low	
Organization	<input type="checkbox"/>	<input type="checkbox"/>	<input type="checkbox"/>	<input type="checkbox"/>
Readability	<input type="checkbox"/>	<input type="checkbox"/>	<input type="checkbox"/>	<input type="checkbox"/>
Accuracy	<input type="checkbox"/>	<input type="checkbox"/>	<input type="checkbox"/>	<input type="checkbox"/>
Figures	<input type="checkbox"/>	<input type="checkbox"/>	<input type="checkbox"/>	<input type="checkbox"/>

	High		Low	
Tables	<input type="checkbox"/>	<input type="checkbox"/>	<input type="checkbox"/>	<input type="checkbox"/>
Table of contents	<input type="checkbox"/>	<input type="checkbox"/>	<input type="checkbox"/>	<input type="checkbox"/>
Page size/binding	<input type="checkbox"/>	<input type="checkbox"/>	<input type="checkbox"/>	<input type="checkbox"/>
Overall impression	<input type="checkbox"/>	<input type="checkbox"/>	<input type="checkbox"/>	<input type="checkbox"/>

2. Are you able to find the information you need easily?

Yes	No	
<input type="checkbox"/>	<input type="checkbox"/>	<input type="checkbox"/>

3. What are your recommendations for making this data book more useful?

4. What additional information would you like to see included in future data books?

Freescale Semiconductor, Inc.

PLEASE
PASTE
POSTAGE
HERE

Motorola
6501 William Cannon Drive West
Mail Stop OE17
Austin, Texas 78735-8598
USA

Attention: CSIC Publications Department



MOTOROLA

CSIC Microcontroller Division

Second: fold back along this line

First: cut along this line to remove

Please supply the following information (optional).

Name: _____

Company Name: _____

Title: _____

Address: _____

City: _____ State: _____ Zip: _____

Phone Number: _____


**For More Information On This Product,
Go to: www.freescale.com**

Freescale Semiconductor, Inc.

Freescale Semiconductor, Inc.

Freescale Semiconductor, Inc.

**For More Information On This Product,
Go to: www.freescale.com**

Motorola reserves the right to make changes without further notice to any products herein. Motorola makes no warranty, representation or guarantee regarding the suitability of its products for any particular purpose, nor does Motorola assume any liability arising out of the application or use of any product or circuit, and specifically disclaims any and all liability, including without limitation consequential or incidental damages. "Typical" parameters which may be provided in Motorola data sheets and/or specifications can and do vary in different applications and actual performance may vary over time. All operating parameters, including "Typicals" must be validated for each customer application by customer's technical experts. Motorola does not convey any license under its patent rights nor the rights of others. Motorola products are not designed, intended, or authorized for use as components in systems intended for surgical implant into the body, or other applications intended to support or sustain life, or for any other application in which the failure of the Motorola product could create a situation where personal injury or death may occur. Should Buyer purchase or use Motorola products for any such unintended or unauthorized application, Buyer shall indemnify and hold Motorola and its officers, employees, subsidiaries, affiliates, and distributors harmless against all claims, costs, damages, and expenses, and reasonable attorney fees arising out of, directly or indirectly, any claim of personal injury or death associated with such unintended or unauthorized use, even if such claim alleges that Motorola was negligent regarding the design or manufacture of the part. Motorola and  are registered trademarks of Motorola, Inc. Motorola, Inc. is an Equal Opportunity/Affirmative Action Employer.

How to reach us:

USA/EUROPE/Locations Not Listed: Motorola Literature Distribution; P.O. Box 5405, Denver, Colorado 80217. 1-800-441-2447 or 303-675-2140

Mfax™: RMFAX0@email.sps.mot.com – TOUCHTONE 602-244-6609, US & Canada ONLY 1-800-774-1848

INTERNET: <http://motorola.com/sps>

JAPAN: Nippon Motorola Ltd. SPD, Strategic Planning Office 4-32-1, Nishi-Gotanda Shinagawa-ku, Tokyo 141, Japan. 81-3-5487-8488

ASIA/PACIFIC: Motorola Semiconductors H.K. Ltd.; 8B Tai Ping Industrial Park, 51 Ting Kok Road, Tai Po, N.T., Hong Kong. 852-26629298

Mfax is a trademark of Motorola, Inc.



MOTOROLA

© Motorola, Inc., 1997

MC68HC05P9A/D

**For More Information On This Product,
Go to: www.freescale.com**