

MC68HC16Y3/ MC68HC916Y3 USER'S MANUAL

PRELIMINARY

**THIS DOCUMENT IS PRODUCED FOR ON-LINE
DISTRIBUTION ONLY. IT IS NOT AVAILABLE AT
THE MOTOROLA LITERATURE DISTRIBUTION CENTER.
ORDERING INFORMATION IS NOT INCLUDED.**

**PLEASE DIRECT ANY QUESTIONS CONCERNING THIS
DOCUMENTATION TO A REPRESENTATIVE AT YOUR LOCAL
MOTOROLA SALES OFFICE OR MOTOROLA DISTRIBUTOR.**

Motorola reserves the right to make changes without further notice to any products herein. Motorola makes no warranty, representation or guarantee regarding the suitability of its products for any particular purpose, nor does Motorola assume any liability arising out of the application or use of any product or circuit, and specifically disclaims any and all liability, including without limitation consequential or incidental damages. "Typical" parameters can and do vary in different applications. All operating parameters, including "Typicals" must be validated for each customer application by customer's technical experts. Motorola does not convey any license under its patent rights nor the rights of others. Motorola products are not designed, intended, or authorized for use as components in systems intended for surgical implant into the body, or other applications intended to support or sustain life, or for any other application in which the failure of the Motorola product could create a situation where personal injury or death may occur. Should Buyer purchase or use Motorola products for any such unintended or unauthorized application, Buyer shall indemnify and hold Motorola and its officers, employees, subsidiaries, affiliates, and distributors harmless against all claims, costs, damages, and expenses, and reasonable attorney fees arising out of, directly or indirectly, any claim of personal injury or death associated with such unintended or unauthorized use, even if such claim alleges that Motorola was negligent regarding the design or manufacture of the part. MOTOROLA and ! are registered trademarks of Motorola, Inc. Motorola, Inc. is an Equal Opportunity/Affirmative Action Employer.

© MOTOROLA, INC. 1997

**For More Information On This Product,
Go to: www.freescale.com**

Freescale Semiconductor, Inc.

Freescale Semiconductor, Inc.

**For More Information On This Product,
Go to: www.freescale.com**

Freescale Semiconductor, Inc.

TABLE OF CONTENTS

SECTION 1 INTRODUCTION

SECTION 2 NOMENCLATURE

| | | |
|-----|--------------------------------|-----|
| 2.1 | Symbols and Operators | 2-1 |
| 2.2 | CPU16 Register Mnemonics | 2-2 |
| 2.3 | Pin and Signal Mnemonics | 2-3 |
| 2.4 | Register Mnemonics | 2-5 |
| 2.5 | Conventions | 2-9 |

SECTION 3 OVERVIEW

| | | |
|--------|---|------|
| 3.1 | MC68HC16Y3/916Y3 MCU Features | 3-1 |
| 3.1.1 | Central Processing Unit (CPU16) | 3-1 |
| 3.1.2 | Single-Chip Integration Module 2 (SCIM2) | 3-1 |
| 3.1.3 | Standby RAM (SRAM) | 3-1 |
| 3.1.4 | Masked ROM Module (MRM) — MC68HC16Y3 Only | 3-2 |
| 3.1.5 | Flash EEPROM Module (FLASH) — MC68HC916Y3 Only | 3-2 |
| 3.1.6 | TPU Flash EEPROM Module (TPUFLASH) — MC68HC916Y3 Only | 3-2 |
| 3.1.7 | Analog-to-Digital Converter (ADC) | 3-2 |
| 3.1.8 | Queued Serial Module (QSM) | 3-2 |
| 3.1.9 | Multichannel Communication Interface (MCCI) | 3-2 |
| 3.1.10 | General Purpose Timer (GPT) | 3-2 |
| 3.1.11 | Time Processor Unit 2 (TPU2) | 3-2 |
| 3.2 | Intermodule Bus | 3-3 |
| 3.3 | System Block Diagram and Pin Assignment Diagrams | 3-3 |
| 3.4 | Pin Descriptions | 3-8 |
| 3.5 | Signal Descriptions | 3-12 |
| 3.6 | CPU16 Memory Mapping | 3-17 |
| 3.7 | Internal Register Maps | 3-18 |
| 3.8 | Address Space Maps | 3-21 |

SECTION 4 CENTRAL PROCESSOR UNIT

| | | |
|-------|---|-----|
| 4.1 | General | 4-1 |
| 4.2 | Register Model | 4-1 |
| 4.2.1 | Accumulators | 4-3 |
| 4.2.2 | Index Registers | 4-3 |
| 4.2.3 | Stack Pointer | 4-3 |
| 4.2.4 | Program Counter | 4-3 |
| 4.2.5 | Condition Code Register | 4-4 |
| 4.2.6 | Address Extension Register and Address Extension Fields | 4-5 |

TABLE OF CONTENTS

(Continued)

| | | |
|----------|---|------|
| 4.2.7 | Multiply and Accumulate Registers | 4-5 |
| 4.3 | Memory Management | 4-5 |
| 4.3.1 | Address Extension | 4-6 |
| 4.3.2 | Extension Fields | 4-6 |
| 4.4 | Data Types | 4-6 |
| 4.5 | Memory Organization | 4-7 |
| 4.6 | Addressing Modes | 4-8 |
| 4.6.1 | Immediate Addressing Modes | 4-9 |
| 4.6.2 | Extended Addressing Modes | 4-10 |
| 4.6.3 | Indexed Addressing Modes | 4-10 |
| 4.6.4 | Inherent Addressing Mode | 4-10 |
| 4.6.5 | Accumulator Offset Addressing Mode | 4-10 |
| 4.6.6 | Relative Addressing Modes | 4-10 |
| 4.6.7 | Post-Modified Index Addressing Mode | 4-10 |
| 4.6.8 | Use of CPU16 Indexed Mode to Replace M68HC11 Direct Mode .. | 4-11 |
| 4.7 | Instruction Set | 4-11 |
| 4.7.1 | Instruction Set Summary | 4-11 |
| 4.8 | Comparison of CPU16 and M68HC11 CPU Instruction Sets | 4-31 |
| 4.9 | Instruction Format | 4-33 |
| 4.10 | Execution Model | 4-34 |
| 4.10.1 | Microsequencer | 4-35 |
| 4.10.2 | Instruction Pipeline | 4-35 |
| 4.10.3 | Execution Unit | 4-35 |
| 4.11 | Execution Process | 4-36 |
| 4.11.1 | Changes in Program Flow | 4-36 |
| 4.12 | Instruction Timing | 4-36 |
| 4.13 | Exceptions | 4-37 |
| 4.13.1 | Exception Vectors | 4-37 |
| 4.13.2 | Exception Stack Frame | 4-38 |
| 4.13.3 | Exception Processing Sequence | 4-39 |
| 4.13.4 | Types of Exceptions | 4-39 |
| 4.13.4.1 | Asynchronous Exceptions | 4-39 |
| 4.13.4.2 | Synchronous Exceptions | 4-39 |
| 4.13.5 | Multiple Exceptions | 4-40 |
| 4.13.6 | RTI Instruction | 4-40 |
| 4.14 | Development Support | 4-40 |
| 4.14.1 | Deterministic Opcode Tracking | 4-40 |
| 4.14.1.1 | IPIPE0/IPIPE1 Multiplexing | 4-41 |
| 4.14.1.2 | Combining Opcode Tracking with Other Capabilities | 4-41 |
| 4.14.2 | Breakpoints | 4-41 |
| 4.14.3 | Opcode Tracking and Breakpoints | 4-42 |

TABLE OF CONTENTS

(Continued)

| | | |
|----------|----------------------------------|------|
| 4.14.4 | Background Debug Mode | 4-42 |
| 4.14.5 | Enabling BDM | 4-42 |
| 4.14.5.1 | BDM Sources | 4-42 |
| 4.14.5.2 | Entering BDM | 4-43 |
| 4.14.5.3 | BDM Commands | 4-43 |
| 4.14.5.4 | Returning from BDM | 4-44 |
| 4.14.5.5 | BDM Serial Interface | 4-44 |
| 4.15 | Recommended BDM Connection | 4-45 |
| 4.16 | Digital Signal Processing | 4-46 |

SECTION 5 SINGLE-CHIP INTEGRATION MODULE 2

| | | |
|---------|--|------|
| 5.1 | General | 5-1 |
| 5.2 | System Configuration | 5-2 |
| 5.2.1 | Module Mapping | 5-3 |
| 5.2.2 | Interrupt Arbitration | 5-3 |
| 5.2.3 | Single-Chip Operation Support | 5-3 |
| 5.2.4 | Show Internal Cycles | 5-4 |
| 5.2.5 | Register Access | 5-4 |
| 5.2.6 | Freeze Operation | 5-4 |
| 5.3 | System Clock | 5-4 |
| 5.3.1 | Clock Sources | 5-5 |
| 5.3.2 | Clock Synthesizer Operation | 5-6 |
| 5.3.3 | External Bus Clock | 5-14 |
| 5.3.4 | Low-Power Operation | 5-14 |
| 5.4 | System Protection | 5-16 |
| 5.4.1 | Reset Status | 5-16 |
| 5.4.2 | Bus Monitor | 5-16 |
| 5.4.3 | Halt Monitor | 5-17 |
| 5.4.4 | Spurious Interrupt Monitor | 5-17 |
| 5.4.5 | Software Watchdog | 5-17 |
| 5.4.6 | Periodic Interrupt Timer | 5-19 |
| 5.4.7 | Interrupt Priority and Vectoring | 5-20 |
| 5.4.8 | Low-Power STOP Operation | 5-21 |
| 5.5 | External Bus Interface | 5-21 |
| 5.5.1 | Bus Control Signals | 5-23 |
| 5.5.1.1 | Address Bus | 5-23 |
| 5.5.1.2 | Address Strobe | 5-23 |
| 5.5.1.3 | Data Bus | 5-23 |
| 5.5.1.4 | Data Strobe | 5-23 |
| 5.5.1.5 | Read/Write Signal | 5-24 |
| 5.5.1.6 | Size Signals | 5-24 |

TABLE OF CONTENTS

(Continued)

| | | |
|----------|--|------|
| 5.5.1.7 | Function Codes | 5-24 |
| 5.5.1.8 | Data Size Acknowledge Signals | 5-24 |
| 5.5.1.9 | Bus Error Signal | 5-25 |
| 5.5.1.10 | Halt Signal | 5-25 |
| 5.5.1.11 | Autovector Signal | 5-25 |
| 5.5.2 | Dynamic Bus Sizing | 5-25 |
| 5.5.3 | Operand Alignment | 5-27 |
| 5.5.4 | Misaligned Operands | 5-27 |
| 5.5.5 | Operand Transfer Cases | 5-27 |
| 5.6 | Bus Operation | 5-28 |
| 5.6.1 | Synchronization to CLKOUT | 5-29 |
| 5.6.2 | Regular Bus Cycle | 5-29 |
| 5.6.2.1 | Read Cycle | 5-30 |
| 5.6.2.2 | Write Cycle | 5-30 |
| 5.6.3 | Fast Termination Cycles | 5-31 |
| 5.6.4 | CPU Space Cycles | 5-32 |
| 5.6.4.1 | Breakpoint Acknowledge Cycle | 5-33 |
| 5.6.4.2 | LPSTOP Broadcast Cycle | 5-34 |
| 5.6.5 | Bus Exception Control Cycles | 5-35 |
| 5.6.5.1 | Bus Errors | 5-36 |
| 5.6.5.2 | Double Bus Faults | 5-37 |
| 5.6.5.3 | Halt Operation | 5-37 |
| 5.6.6 | External Bus Arbitration | 5-38 |
| 5.6.6.1 | Show Cycles | 5-39 |
| 5.7 | Reset | 5-40 |
| 5.7.1 | Reset Exception Processing | 5-40 |
| 5.7.2 | Reset Control Logic | 5-40 |
| 5.7.3 | Operating Configuration Out of Reset | 5-41 |
| 5.7.3.1 | Address and Data Bus Pin Functions | 5-42 |
| 5.7.3.2 | Data Bus Mode Selection | 5-43 |
| 5.7.3.3 | 16-Bit Expanded Mode | 5-45 |
| 5.7.3.4 | 8-Bit Expanded Mode | 5-47 |
| 5.7.3.5 | Single-Chip Mode | 5-48 |
| 5.7.3.6 | Clock Mode Selection | 5-48 |
| 5.7.3.7 | Breakpoint Mode Selection | 5-49 |
| 5.7.3.8 | Emulation Mode Selection | 5-49 |
| 5.7.4 | MCU Module Pin Function During Reset | 5-50 |
| 5.7.5 | Pin State During Reset | 5-51 |
| 5.7.5.1 | Reset States of SCIM2 Pins | 5-51 |
| 5.7.5.2 | Reset States of Pins Assigned to Other MCU Modules | 5-52 |
| 5.7.6 | Reset Timing | 5-52 |

TABLE OF CONTENTS

(Continued)

| | | |
|---------|---|------|
| 5.7.7 | Power-On Reset | 5-53 |
| 5.7.8 | Use of the Three-State Control Pin | 5-54 |
| 5.7.9 | Reset Processing Summary | 5-54 |
| 5.7.10 | Reset Status Register | 5-55 |
| 5.8 | Interrupts | 5-55 |
| 5.8.1 | Interrupt Exception Processing | 5-56 |
| 5.8.2 | Interrupt Priority and Recognition | 5-56 |
| 5.8.3 | Interrupt Acknowledge and Arbitration | 5-57 |
| 5.8.4 | Interrupt Processing Summary | 5-58 |
| 5.8.5 | Interrupt Acknowledge Bus Cycles | 5-59 |
| 5.9 | Chip-Selects | 5-60 |
| 5.9.1 | Chip-Select Registers | 5-63 |
| 5.9.1.1 | Chip-Select Pin Assignment Registers | 5-63 |
| 5.9.1.2 | Chip-Select Base Address Registers | 5-64 |
| 5.9.1.3 | Chip-Select Option Registers | 5-65 |
| 5.9.1.4 | PORTC Data Register | 5-66 |
| 5.9.2 | Chip-Select Operation | 5-67 |
| 5.9.3 | Using Chip-Select Signals for Interrupt Acknowledge | 5-67 |
| 5.9.4 | Chip-Select Reset Operation | 5-69 |
| 5.10 | General Purpose Input/Output | 5-70 |
| 5.10.1 | Ports A and B | 5-71 |
| 5.10.2 | Port E | 5-71 |
| 5.10.3 | Port F | 5-72 |
| 5.10.4 | Port G | 5-74 |
| 5.10.5 | Port H | 5-74 |
| 5.11 | Factory Test | 5-75 |

SECTION 6 STANDBY RAM MODULE

| | | |
|-----|--|-----|
| 6.1 | SRAM Register Block | 6-1 |
| 6.2 | SRAM Array Address Mapping | 6-1 |
| 6.3 | SRAM Array Address Space Type | 6-2 |
| 6.4 | Normal Access | 6-2 |
| 6.5 | Standby and Low-Power Stop Operation | 6-2 |
| 6.6 | Reset | 6-2 |

SECTION 7 MASKED ROM MODULE

| | | |
|-----|------------------------------------|-----|
| 7.1 | MRM Register Block | 7-1 |
| 7.2 | MRM Array Address Mapping | 7-1 |
| 7.3 | MRM Array Address Space Type | 7-2 |
| 7.4 | Normal Access | 7-2 |

TABLE OF CONTENTS

(Continued)

| | | |
|-----|-------------------------------------|-----|
| 7.5 | Low-Power Stop Mode Operation | 7-3 |
| 7.6 | ROM Signature | 7-3 |
| 7.7 | Reset | 7-3 |

SECTION 8 FLASH EEPROM MODULE

| | | |
|---------|----------------------------------|-----|
| 8.1 | Flash EEPROM Control Block | 8-1 |
| 8.2 | Flash EEPROM Array | 8-2 |
| 8.3 | Flash EEPROM Operation | 8-2 |
| 8.3.1 | Reset Operation | 8-2 |
| 8.3.2 | Bootstrap Operation | 8-3 |
| 8.3.3 | Normal Operation | 8-3 |
| 8.3.4 | Program/Erase Operation | 8-3 |
| 8.3.5 | Programming | 8-4 |
| 8.3.5.1 | Erasure | 8-6 |

SECTION 9 TPU FLASH EEPROM MODULE

| | | |
|---------|-------------------------------|-----|
| 9.1 | Overview | 9-1 |
| 9.2 | TPUFLASH Control Block | 9-1 |
| 9.3 | TPUFLASH Array | 9-2 |
| 9.4 | TPUFLASH Operation | 9-2 |
| 9.4.1 | Reset Operation | 9-2 |
| 9.4.2 | Bootstrap Operation | 9-3 |
| 9.4.3 | Normal Operation | 9-3 |
| 9.4.4 | TPU Mode Operation | 9-3 |
| 9.4.5 | Program/Erase Operation | 9-4 |
| 9.4.5.1 | Programming Sequence | 9-5 |
| 9.4.5.2 | Erasure Sequence | 9-7 |

SECTION 10 ANALOG-TO-DIGITAL CONVERTER

| | | |
|--------|-------------------------------|------|
| 10.1 | General | 10-1 |
| 10.2 | External Connections | 10-1 |
| 10.2.1 | Analog Input Pins | 10-2 |
| 10.2.2 | Analog Reference Pins | 10-3 |
| 10.2.3 | Analog Supply Pins | 10-3 |
| 10.3 | Programmer's Model | 10-3 |
| 10.4 | ADC Bus Interface Unit | 10-3 |
| 10.5 | Special Operating Modes | 10-3 |
| 10.5.1 | Low-Power Stop Mode | 10-4 |
| 10.5.2 | Freeze Mode | 10-4 |

TABLE OF CONTENTS

(Continued)

| | | |
|----------|---|-------|
| 10.6 | Analog Subsystem | 10-4 |
| 10.6.1 | Multiplexer | 10-5 |
| 10.6.2 | Sample Capacitor and Buffer Amplifier | 10-5 |
| 10.6.3 | RC DAC Array | 10-6 |
| 10.6.4 | Comparator | 10-6 |
| 10.7 | Digital Control Subsystem | 10-6 |
| 10.7.1 | Control/Status Registers | 10-6 |
| 10.7.2 | Clock and Prescaler Control | 10-6 |
| 10.7.3 | Sample Time | 10-7 |
| 10.7.4 | Resolution | 10-7 |
| 10.7.5 | Conversion Control Logic | 10-7 |
| 10.7.5.1 | Conversion Parameters | 10-8 |
| 10.7.5.2 | Conversion Modes | 10-8 |
| 10.7.6 | Conversion Timing | 10-12 |
| 10.7.7 | Successive Approximation Register | 10-13 |
| 10.7.8 | Result Registers | 10-13 |
| 10.8 | Pin Considerations | 10-14 |
| 10.8.1 | Analog Reference Pins | 10-14 |
| 10.8.2 | Analog Power Pins | 10-14 |
| 10.8.3 | Analog Supply Filtering and Grounding | 10-16 |
| 10.8.4 | Accommodating Positive/Negative Stress Conditions | 10-18 |
| 10.8.5 | Analog Input Considerations | 10-20 |
| 10.8.6 | Analog Input Pins | 10-22 |
| 10.8.6.1 | Settling Time for the External Circuit | 10-23 |
| 10.8.6.2 | Error Resulting from Leakage | 10-24 |

**SECTION 11
QUEUED SERIAL MODULE**

| | | |
|----------|--|------|
| 11.1 | General | 11-1 |
| 11.2 | QSM Registers and Address Map | 11-2 |
| 11.2.1 | QSM Global Registers | 11-2 |
| 11.2.1.1 | Low-Power Stop Mode Operation | 11-2 |
| 11.2.1.2 | Freeze Operation | 11-3 |
| 11.2.1.3 | QSM Interrupts | 11-3 |
| 11.2.2 | QSM Pin Control Registers | 11-4 |
| 11.3 | Queued Serial Peripheral Interface | 11-5 |
| 11.3.1 | QSPI Registers | 11-7 |
| 11.3.1.1 | Control Registers | 11-7 |
| 11.3.1.2 | Status Register | 11-7 |
| 11.3.2 | QSPI RAM | 11-8 |
| 11.3.2.1 | Receive RAM | 11-8 |

TABLE OF CONTENTS

(Continued)

| | | |
|----------|--------------------------------------|-------|
| 11.3.2.2 | Transmit RAM | 11-8 |
| 11.3.2.3 | Command RAM | 11-9 |
| 11.3.3 | QSPI Pins | 11-9 |
| 11.3.4 | QSPI Operation | 11-9 |
| 11.3.5 | QSPI Operating Modes | 11-10 |
| 11.3.5.1 | Master Mode | 11-17 |
| 11.3.5.2 | Master Wrap-Around Mode | 11-20 |
| 11.3.5.3 | Slave Mode | 11-21 |
| 11.3.5.4 | Slave Wrap-Around Mode | 11-22 |
| 11.3.6 | Peripheral Chip-Selects | 11-22 |
| 11.4 | Serial Communication Interface | 11-22 |
| 11.4.1 | SCI Registers | 11-23 |
| 11.4.1.1 | Control Registers | 11-23 |
| 11.4.1.2 | Status Register | 11-26 |
| 11.4.1.3 | Data Register | 11-26 |
| 11.4.2 | SCI Pins | 11-26 |
| 11.4.3 | SCI Operation | 11-26 |
| 11.4.3.1 | Definition of Terms | 11-26 |
| 11.4.3.2 | Serial Formats | 11-27 |
| 11.4.3.3 | Baud Clock | 11-27 |
| 11.4.3.4 | Parity Checking | 11-28 |
| 11.4.3.5 | Transmitter Operation | 11-28 |
| 11.4.3.6 | Receiver Operation | 11-30 |
| 11.4.3.7 | Idle-Line Detection | 11-31 |
| 11.4.3.8 | Receiver Wake-up | 11-31 |
| 11.4.3.9 | Internal Loop Mode | 11-32 |

SECTION 12 MULTICHANNEL COMMUNICATION INTERFACE

| | | |
|----------|---|------|
| 12.1 | General | 12-1 |
| 12.2 | MCCI Registers and Address Map | 12-2 |
| 12.2.1 | MCCI Global Registers | 12-2 |
| 12.2.1.1 | Low-Power Stop Mode | 12-2 |
| 12.2.1.2 | Privilege Levels | 12-3 |
| 12.2.1.3 | MCCI Interrupts | 12-3 |
| 12.2.2 | Pin Control and General-Purpose I/O | 12-4 |
| 12.3 | Serial Peripheral Interface (SPI) | 12-4 |
| 12.3.1 | SPI Registers | 12-6 |
| 12.3.1.1 | SPI Control Register (SPCR) | 12-6 |
| 12.3.1.2 | SPI Status Register (SPSR) | 12-6 |
| 12.3.1.3 | SPI Data Register (SPDR) | 12-6 |
| 12.3.2 | SPI Pins | 12-7 |

TABLE OF CONTENTS

(Continued)

| | | |
|----------|---|-------|
| 12.3.3 | SPI Operating Modes | 12-7 |
| 12.3.3.1 | Master Mode | 12-7 |
| 12.3.3.2 | Slave Mode | 12-8 |
| 12.3.4 | SPI Clock Phase and Polarity Controls | 12-9 |
| 12.3.4.1 | CPHA = 0 Transfer Format | 12-9 |
| 12.3.4.2 | CPHA = 1 Transfer Format | 12-10 |
| 12.3.5 | SPI Serial Clock Baud Rate | 12-11 |
| 12.3.6 | Wired-OR Open-Drain Outputs | 12-12 |
| 12.3.7 | Transfer Size and Direction | 12-12 |
| 12.3.8 | Write Collision | 12-12 |
| 12.3.9 | Mode Fault | 12-12 |
| 12.4 | Serial Communication Interface (SCI) | 12-13 |
| 12.4.1 | SCI Registers | 12-13 |
| 12.4.1.1 | SCI Control Registers | 12-14 |
| 12.4.1.2 | SCI Status Register | 12-17 |
| 12.4.1.3 | SCI Data Register | 12-17 |
| 12.4.2 | SCI Pins | 12-17 |
| 12.4.3 | Receive Data Pins (RXDA, RXDB) | 12-18 |
| 12.4.4 | Transmit Data Pins (TXDA, TXDB) | 12-18 |
| 12.4.5 | SCI Operation | 12-18 |
| 12.4.5.1 | Definition of Terms | 12-18 |
| 12.4.5.2 | Serial Formats | 12-19 |
| 12.4.5.3 | Baud Clock | 12-19 |
| 12.4.5.4 | Parity Checking | 12-20 |
| 12.4.5.5 | Transmitter Operation | 12-20 |
| 12.4.5.6 | Receiver Operation | 12-21 |
| 12.4.5.7 | Idle-Line Detection | 12-22 |
| 12.4.5.8 | Receiver Wake-Up | 12-23 |
| 12.4.5.9 | Internal Loop | 12-23 |
| 12.5 | MCCI Initialization | 12-24 |

SECTION 13 GENERAL-PURPOSE TIMER

| | | |
|--------|---|------|
| 13.1 | General | 13-1 |
| 13.2 | GPT Registers and Address Map | 13-2 |
| 13.3 | Special Modes of Operation | 13-3 |
| 13.3.1 | Low-Power Stop Mode | 13-3 |
| 13.3.2 | Freeze Mode | 13-3 |
| 13.3.3 | Single-Step Mode | 13-4 |
| 13.3.4 | Test Mode | 13-4 |
| 13.4 | Polled and Interrupt-Driven Operation | 13-4 |
| 13.4.1 | Polled Operation | 13-4 |

TABLE OF CONTENTS

(Continued)

| | | |
|---------|--|-------|
| 13.4.2 | GPT Interrupts | 13-5 |
| 13.5 | Pin Descriptions | 13-7 |
| 13.5.1 | Input Capture Pins | 13-7 |
| 13.5.2 | Input Capture/Output Compare Pin | 13-7 |
| 13.5.3 | Output Compare Pins | 13-7 |
| 13.5.4 | Pulse Accumulator Input Pin | 13-8 |
| 13.5.5 | Pulse-Width Modulation | 13-8 |
| 13.5.6 | Auxiliary Timer Clock Input | 13-8 |
| 13.6 | General-Purpose I/O | 13-8 |
| 13.7 | Prescaler | 13-9 |
| 13.8 | Capture/Compare Unit | 13-11 |
| 13.8.1 | Timer Counter | 13-11 |
| 13.8.2 | Input Capture Functions | 13-11 |
| 13.8.3 | Output Compare Functions | 13-14 |
| 13.9 | Input Capture 4/Output Compare 5 | 13-15 |
| 13.10 | Pulse Accumulator | 13-15 |
| 13.11 | Pulse-Width Modulation Unit | 13-17 |
| 13.11.1 | PWM Counter | 13-19 |
| 13.11.2 | PWM Function | 13-19 |

SECTION 14 TIME PROCESSOR UNIT 2

| | | |
|--------|--|------|
| 14.1 | General | 14-1 |
| 14.2 | TPU2 Components | 14-2 |
| 14.2.1 | Time Bases | 14-2 |
| 14.2.2 | Timer Channels | 14-3 |
| 14.2.3 | Scheduler | 14-3 |
| 14.2.4 | Microengine | 14-3 |
| 14.2.5 | Host Interface | 14-3 |
| 14.2.6 | Parameter RAM | 14-3 |
| 14.3 | TPU Operation | 14-4 |
| 14.3.1 | Event Timing | 14-4 |
| 14.3.2 | Channel Orthogonality | 14-4 |
| 14.3.3 | Interchannel Communication | 14-4 |
| 14.3.4 | Programmable Channel Service Priority | 14-5 |
| 14.3.5 | Coherency | 14-5 |
| 14.3.6 | Emulation Support | 14-5 |
| 14.3.7 | TPU2 Interrupts | 14-5 |
| 14.4 | A Mask Set Time Functions | 14-6 |
| 14.4.1 | Discrete Input/Output (DIO) | 14-6 |
| 14.4.2 | Input Capture/Input Transition Counter (ITC) | 14-7 |
| 14.4.3 | Output Compare (OC) | 14-7 |

TABLE OF CONTENTS

(Continued)

| | | |
|----------|--|-------|
| 14.4.4 | Pulse-Width Modulation (PWM) | 14-8 |
| 14.4.5 | Synchronized Pulse-Width Modulation (SPWM) | 14-8 |
| 14.4.6 | Period Measurement with Additional Transition Detect (PMA) | 14-8 |
| 14.4.7 | Period Measurement with Missing Transition Detect (PMM) | 14-8 |
| 14.4.8 | Position-Synchronized Pulse Generator (PSP) | 14-9 |
| 14.4.9 | Stepper Motor (SM) | 14-9 |
| 14.4.10 | Period/Pulse-Width Accumulator (PPWA) | 14-10 |
| 14.4.11 | Quadrature Decode (QDEC) | 14-10 |
| 14.5 | G Mask Set Time Functions | 14-11 |
| 14.5.1 | Table Stepper Motor (TSM) | 14-11 |
| 14.5.2 | New Input Capture/Transition Counter (NITC) | 14-11 |
| 14.5.3 | Queued Output Match (QOM) | 14-11 |
| 14.5.4 | Programmable Time Accumulator (PTA) | 14-12 |
| 14.5.5 | Multichannel Pulse-Width Modulation (MCPWM) | 14-12 |
| 14.5.6 | Fast Quadrature Decode (FQD) | 14-12 |
| 14.5.7 | Universal Asynchronous Receiver/Transmitter (UART) | 14-13 |
| 14.5.8 | Brushless Motor Commutation (COMM) | 14-13 |
| 14.5.9 | Frequency Measurement (FQM) | 14-13 |
| 14.5.10 | Hall Effect Decode (HALLD) | 14-13 |
| 14.6 | Host Interface Registers | 14-14 |
| 14.6.1 | System Configuration Registers | 14-14 |
| 14.6.1.1 | Prescaler Control for TCR1 | 14-14 |
| 14.6.1.2 | Prescaler Control for TCR2 | 14-15 |
| 14.6.1.3 | Emulation Control | 14-16 |
| 14.6.1.4 | Low-Power Stop Control | 14-16 |
| 14.6.2 | Channel Control Registers | 14-16 |
| 14.6.2.1 | Channel Interrupt Enable and Status Registers | 14-17 |
| 14.6.2.2 | Channel Function Select Registers | 14-17 |
| 14.6.2.3 | Host Sequence Registers | 14-18 |
| 14.6.2.4 | Host Service Registers | 14-18 |
| 14.6.2.5 | Channel Priority Registers | 14-18 |
| 14.6.3 | Development Support and Test Registers | 14-18 |

APPENDIX A ELECTRICAL CHARACTERISTICS

APPENDIX B MECHANICAL DATA AND ORDERING INFORMATION

| | | |
|-----|---|-----|
| B.1 | Obtaining Updated MC68HC16Y3/916Y3 MCU Mechanical Information | B-5 |
| B.2 | Ordering Information | B-5 |

APPENDIX C DEVELOPMENT SUPPORT

TABLE OF CONTENTS

(Continued)

| | | |
|-----|--|-----|
| C.1 | M68MMDS1632 Modular Development System | C-1 |
| C.2 | M68MEVB1632 Modular Evaluation Board | C-1 |

APPENDIX D REGISTER SUMMARY

| | | |
|--------|--|------|
| D.1 | Central Processing Unit | D-1 |
| D.1.1 | Condition Code Register | D-3 |
| D.2 | Single-Chip Integration Module 2 | D-4 |
| D.2.1 | SCIM Configuration Register | D-5 |
| D.2.2 | SCIM Test Register | D-7 |
| D.2.3 | Clock Synthesizer Control Register | D-7 |
| D.2.4 | Reset Status Register | D-9 |
| D.2.5 | SCIM Test Register E | D-9 |
| D.2.6 | Port A and B Data Registers | D-9 |
| D.2.7 | Port G and H Data Registers | D-10 |
| D.2.8 | Port G and H Data Direction Registers | D-10 |
| D.2.9 | Port E Data Register | D-10 |
| D.2.10 | Port E Data Direction Register | D-11 |
| D.2.11 | Port E Pin Assignment Register | D-11 |
| D.2.12 | Port F Data Register | D-12 |
| D.2.13 | Port F Data Direction Register | D-12 |
| D.2.14 | Port F Pin Assignment Register | D-12 |
| D.2.15 | System Protection Control Register | D-13 |
| D.2.16 | Periodic Interrupt Control Register | D-15 |
| D.2.17 | Periodic Interrupt Timer Register | D-15 |
| D.2.18 | Software Watchdog Service Register | D-16 |
| D.2.19 | Port F Edge-Detect Flag Register | D-16 |
| D.2.20 | Port F Edge-Detect Interrupt Vector | D-17 |
| D.2.21 | Port F Edge-Detect Interrupt Level | D-17 |
| D.2.22 | Port C Data Register | D-17 |
| D.2.23 | Chip-Select Pin Assignment Registers | D-18 |
| D.2.24 | Chip-Select Base Address Register Boot | D-20 |
| D.2.25 | Chip-Select Base Address Registers | D-20 |
| D.2.26 | Chip-Select Option Register Boot | D-21 |
| D.2.27 | Chip-Select Option Registers | D-21 |
| D.2.28 | Master Shift Registers | D-23 |
| D.2.29 | Test Module Shift Count Register | D-24 |
| D.2.30 | Test Module Repetition Count Register | D-24 |
| D.2.31 | Test Module Control Register | D-24 |
| D.2.32 | Test Module Distributed Register | D-24 |
| D.3 | Standby RAM Module | D-25 |
| D.3.1 | RAM Module Configuration Register | D-25 |

TABLE OF CONTENTS

(Continued)

| | | |
|--------|---|------|
| D.3.2 | RAM Test Register | D-26 |
| D.3.3 | Array Base Address Registers | D-26 |
| D.4 | Masked ROM Module | D-27 |
| D.4.1 | Masked ROM Module Configuration Register | D-27 |
| D.4.2 | ROM Array Base Address Registers | D-29 |
| D.4.3 | ROM Signature Registers | D-29 |
| D.4.4 | ROM Bootstrap Words | D-30 |
| D.5 | Flash EEPROM Module | D-31 |
| D.5.1 | Flash EEPROM Module Configuration Register | D-32 |
| D.5.2 | Flash EEPROM Test Register | D-34 |
| D.5.3 | Flash EEPROM Base Address Registers | D-34 |
| D.5.4 | Flash EEPROM Control Register | D-35 |
| D.6 | Analog-to-Digital Converter Module | D-37 |
| D.6.1 | ADC Module Configuration Register | D-38 |
| D.6.2 | ADC Test Register | D-38 |
| D.6.3 | Port ADA Data Register | D-38 |
| D.6.4 | ADC Control Register 0 | D-39 |
| D.6.5 | ADC Control Register 1 | D-40 |
| D.6.6 | ADC Status Register | D-44 |
| D.6.7 | Right Justified, Unsigned Result Register | D-44 |
| D.7 | Queued Serial Module | D-46 |
| D.7.1 | QSM Configuration Register | D-46 |
| D.7.2 | QSM Test Register | D-47 |
| D.7.3 | QSM Interrupt Level Register/Interrupt Vector Register | D-47 |
| D.7.4 | SCI Control Register | D-48 |
| D.7.5 | SCI Control Register 1 | D-49 |
| D.7.6 | SCI Status Register | D-51 |
| D.7.7 | SCI Data Register | D-52 |
| D.7.8 | Port QS Data Register | D-52 |
| D.7.9 | Port QS Pin Assignment Register/Data Direction Register | D-53 |
| D.7.10 | QSPI Control Register 0 | D-54 |
| D.7.11 | QSPI Control Register 1 | D-56 |
| D.7.12 | QSPI Control Register 2 | D-57 |
| D.7.13 | QSPI Control Register 3 | D-58 |
| D.7.14 | Receive Data RAM | D-59 |
| D.7.15 | Transmit Data RAM | D-59 |
| D.7.16 | Command RAM | D-60 |
| D.8 | Multichannel Communication Interface Module (MCCI) | D-62 |
| D.8.1 | MCCI Module Configuration Register | D-62 |
| D.8.2 | MCCI Test Register | D-63 |
| D.8.3 | SCI Interrupt Level Register/MCCI Interrupt Vector Register | D-63 |

TABLE OF CONTENTS

(Continued)

| | | |
|---------|---|------|
| D.8.4 | MCCI Interrupt Vector Register | D-64 |
| D.8.5 | SPI Interrupt Level Register | D-64 |
| D.8.6 | MCCI Pin Assignment Register | D-65 |
| D.8.7 | MCCI Data Direction Register | D-66 |
| D.8.8 | MCCI Port Data Registers | D-67 |
| D.8.9 | SCI Control Register 0 | D-67 |
| D.8.11 | SCI Status Register | D-70 |
| D.8.12 | SCI Data Register | D-71 |
| D.8.13 | SPI Control Register | D-72 |
| D.8.14 | SPI Status Register | D-73 |
| D.8.15 | SPI Data Register | D-74 |
| D.9 | General-Purpose Timer (GPT) | D-75 |
| D.9.1 | GPT Module Configuration Register | D-75 |
| D.9.2 | GPT Test Register | D-76 |
| D.9.3 | GPT Interrupt Configuration Register | D-76 |
| D.9.4 | Port GP Data Direction Register/Data Register | D-77 |
| D.9.5 | OC1 Action Mask Register/Data Register | D-77 |
| D.9.6 | Timer Counter Register | D-78 |
| D.9.7 | Pulse Accumulator Control Register/Counter | D-78 |
| D.9.8 | Input Capture Registers 1-3 | D-79 |
| D.9.9 | Output Compare Registers 1-4 | D-79 |
| D.9.10 | Input Capture 4/Output Compare 5 Register | D-80 |
| D.9.11 | Timer Control Registers 1 and 2 | D-80 |
| D.9.12 | Timer Interrupt Mask Registers 1 and 2 | D-80 |
| D.9.13 | Timer Interrupt Flag Registers 1 and 2 | D-82 |
| D.9.14 | Compare Force Register/PWM Control Register C | D-82 |
| D.9.15 | PWM Registers A/B | D-84 |
| D.9.16 | PWM Count Register | D-84 |
| D.9.17 | PWM Buffer Registers A/B | D-84 |
| D.9.18 | GPT Prescaler | D-85 |
| D.10 | Time Processor Unit 2 (TPU2) | D-86 |
| D.10.1 | TPU2 Module Configuration Register | D-87 |
| D.10.2 | TPU2 Test Configuration Register | D-89 |
| D.10.3 | Development Support Control Register | D-89 |
| D.10.4 | Development Support Status Register | D-90 |
| D.10.5 | TPU2 Interrupt Configuration Register | D-91 |
| D.10.6 | Channel Interrupt Enable Register | D-91 |
| D.10.7 | Channel Function Select Registers | D-92 |
| D.10.8 | Host Sequence Registers | D-92 |
| D.10.9 | Host Service Request Registers | D-93 |
| D.10.10 | Channel Priority Registers | D-93 |

TABLE OF CONTENTS

(Continued)

| | | |
|---------|---|-------|
| D.10.11 | Channel Interrupt Status Register | D-94 |
| D.10.12 | Link Register | D-94 |
| D.10.13 | Service Grant Latch Register | D-94 |
| D.10.14 | Decoded Channel Number Register | D-94 |
| D.10.15 | TPUMCR2 Module Configuration Register 2 | D-94 |
| D.10.16 | TPU2 Parameter RAM | D-96 |
| D.11 | TPU Flash EEPROM Module (TPUFLASH) | D-98 |
| D.11.1 | TPUFLASH Module Configuration Register | D-98 |
| D.11.2 | TPUFLASH Test Register | D-101 |
| D.11.3 | TPUFLASH Base Address Registers | D-101 |
| D.11.4 | TPUFLASH Control Register | D-101 |
| D.11.5 | TPUFLASH Bootstrap Words | D-103 |

Freescale Semiconductor, Inc.

LIST OF ILLUSTRATIONS

| Figure | Title | Page |
|--------|---|------|
| 3-1 | MC68HC16Y3 Block Diagram | 3-4 |
| 3-2 | MC68HC916Y3 Block Diagram | 3-5 |
| 3-3 | MC68HC16Y3 Pin Assignment for 160-Pin Package | 3-6 |
| 3-4 | MC68HC916Y3 Pin Assignment for 160-Pin Package | 3-7 |
| 3-5 | Address Bus Connections Between the CPU16 and IMB | 3-17 |
| 3-6 | MC68HC16Y3 Address Map | 3-19 |
| 3-7 | MC68HC916Y3 Address Map | 3-20 |
| 3-8 | MC68HC16Y3 Combined Program and Data Space Map | 3-22 |
| 3-9 | MC68HC16Y3 Separate Program and Data Space Map | 3-23 |
| 3-10 | MC68HC916Y3 Combined Program and Data Space Map | 3-24 |
| 3-11 | MC68HC916Y3 Separate Program and Data Space Map | 3-25 |
| 4-1 | CPU16 Register Model | 4-2 |
| 4-2 | Condition Code Register | 4-4 |
| 4-3 | Data Types and Memory Organization | 4-8 |
| 4-4 | Basic Instruction Formats | 4-34 |
| 4-5 | Instruction Execution Model | 4-35 |
| 4-7 | BDM Serial I/O Block Diagram | 4-45 |
| 4-8 | BDM Connector Pinout | 4-45 |
| 5-1 | SCIM2 Block Diagram | 5-2 |
| 5-2 | System Clock Block Diagram | 5-5 |
| 5-3 | Slow Reference Crystal Circuit | 5-6 |
| 5-4 | Fast Reference Crystal Circuit | 5-6 |
| 5-5 | System Clock Filter Networks | 5-7 |
| 5-6 | LPSTOP Flowchart | 5-15 |
| 5-7 | System Protection | 5-16 |
| 5-8 | Periodic Interrupt Timer and Software Watchdog Timer | 5-19 |
| 5-9 | MCU Basic System | 5-22 |
| 5-10 | Operand Byte Order | 5-26 |
| 5-11 | Word Read Cycle Flowchart | 5-30 |
| 5-12 | Write Cycle Flowchart | 5-31 |
| 5-13 | CPU Space Address Encoding | 5-33 |
| 5-14 | Breakpoint Operation Flowchart | 5-34 |
| 5-15 | LPSTOP Interrupt Mask Level | 5-35 |
| 5-16 | Bus Arbitration Flowchart for Single Request | 5-39 |
| 5-17 | Preferred Circuit for Data Bus Mode Select Conditioning | 5-44 |
| 5-18 | Alternate Circuit for Data Bus Mode Select Conditioning | 5-45 |
| 5-19 | Power-On Reset | 5-54 |
| 5-20 | Basic MCU System | 5-61 |
| 5-21 | Chip-Select Circuit Block Diagram | 5-62 |
| 5-22 | CPU Space Encoding for Interrupt Acknowledge | 5-68 |
| 5-23 | Port F Block Diagram | 5-73 |

Freescale Semiconductor, Inc.

LIST OF ILLUSTRATIONS (Continued)

| Figure | Title | Page |
|--------|--|-------|
| 8-1 | Programming Flow | 8-5 |
| 8-2 | Erase Flow | 8-7 |
| 9-1 | TPUFLASH Programming Flow | 9-6 |
| 9-2 | TPUFLASH Erase Flow | 9-8 |
| 10-1 | ADC Block Diagram | 10-2 |
| 10-2 | 8-Bit Conversion Timing | 10-12 |
| 10-3 | 10-Bit Conversion Timing | 10-13 |
| 10-4 | Analog Input Circuitry | 10-15 |
| 10-5 | Errors Resulting from Clipping | 10-16 |
| 10-6 | Star-Ground at the Point of Power Supply Origin | 10-17 |
| 10-7 | Input Pin Subjected to Negative Stress | 10-19 |
| 10-8 | Voltage Limiting Diodes in a Negative Stress Circuit | 10-20 |
| 10-9 | External Multiplexing Of Analog Signal Sources | 10-21 |
| 10-10 | Electrical Model of an A/D Input Pin | 10-22 |
| 11-1 | QSM Block Diagram | 11-1 |
| 11-2 | QSPI Block Diagram | 11-6 |
| 11-3 | QSPI RAM | 11-8 |
| 11-4 | Flowchart of QSPI Initialization Operation | 11-11 |
| 11-5 | Flowchart of QSPI Master Operation (Part 1) | 11-12 |
| 11-6 | Flowchart of QSPI Master Operation (Part 2) | 11-13 |
| 11-7 | Flowchart of QSPI Master Operation (Part 3) | 11-14 |
| 11-8 | Flowchart of QSPI Slave Operation (Part 1) | 11-15 |
| 11-9 | Flowchart of QSPI Slave Operation (Part 2) | 11-16 |
| 11-10 | SCI Transmitter Block Diagram | 11-24 |
| 11-11 | SCI Receiver Block Diagram | 11-25 |
| 12-1 | MCCI Block Diagram | 12-1 |
| 12-2 | SPI Block Diagram | 12-5 |
| 12-3 | CPHA = 0 SPI Transfer Format | 12-9 |
| 12-4 | CPHA = 1 SPI Transfer Format | 12-10 |
| 12-5 | SCI Transmitter Block Diagram | 12-15 |
| 12-6 | SCI Receiver Block Diagram | 12-16 |
| 13-1 | GPT Block Diagram | 13-2 |
| 13-2 | Prescaler Block Diagram | 13-10 |
| 13-3 | Capture/Compare Unit Block Diagram | 13-12 |
| 13-4 | Input Capture Timing Example | 13-14 |
| 13-5 | Pulse Accumulator Block Diagram | 13-16 |
| 13-6 | PWM Block Diagram | 13-18 |
| 14-1 | TPU2 Block Diagram | 14-1 |
| 14-2 | TCR1 Prescaler Control | 14-15 |
| 14-3 | TCR2 Prescaler Control | 14-15 |
| A-1 | CLKOUT Output Timing Diagram | A-11 |

Freescale Semiconductor, Inc.

LIST OF ILLUSTRATIONS (Continued)

| Figure | Title | Page |
|--------|---|------|
| A-2 | External Clock Input Timing Diagram | A-11 |
| A-3 | ECLK Output Timing Diagram | A-11 |
| A-4 | Read Cycle Timing Diagram | A-12 |
| A-5 | Write Cycle Timing Diagram | A-13 |
| A-6 | Fast Termination Read Cycle Timing Diagram | A-14 |
| A-7 | Fast Termination Write Cycle Timing Diagram | A-15 |
| A-8 | Bus Arbitration Timing Diagram — Active Bus Case | A-16 |
| A-9 | Bus Arbitration Timing Diagram — Idle Bus Case | A-17 |
| A-10 | Show Cycle Timing Diagram | A-18 |
| A-11 | Chip-Select Timing Diagram | A-19 |
| A-12 | Reset and Mode Select Timing Diagram | A-19 |
| A-13 | Background Debug Mode Timing Diagram (Serial Communication) | A-20 |
| A-14 | Background Debug Mode Timing Diagram (Freeze Assertion) | A-21 |
| A-15 | ECLK Timing Diagram | A-22 |
| A-16 | QSPI Timing — Master, CPHA = 0 | A-24 |
| A-17 | QSPI Timing — Master, CPHA = 1 | A-24 |
| A-18 | QSPI Timing — Slave, CPHA = 0 | A-25 |
| A-19 | QSPI Timing — Slave, CPHA = 1 | A-25 |
| A-20 | SPI Timing — Master, CPHA = 0 | A-27 |
| A-21 | SPI Timing — Master, CPHA = 1 | A-27 |
| A-22 | SPI Timing — Slave, CPHA = 0 | A-28 |
| A-23 | SPI Timing — Slave, CPHA = 1 | A-28 |
| A-24 | Input Signal Conditioner Timing | A-29 |
| A-25 | Pulse Accumulator — Event Counting Mode (Leading Edge) | A-30 |
| A-26 | Pulse Accumulator — Gated Mode (Count While Pin High) | A-31 |
| A-27 | Pulse Accumulator — Using TOF as Gated Mode Clock | A-32 |
| A-28 | PWMx (PWMx Register = 01, Fast Mode) | A-32 |
| A-29 | Output Compare (Toggle Pin State) | A-33 |
| A-30 | Input Capture (Capture on Rising Edge) | A-34 |
| A-31 | General-Purpose Input | A-35 |
| A-32 | General-Purpose Output (Causes Input Capture) | A-36 |
| A-33 | Force Compare (CLEAR) | A-37 |
| A-34 | 8-Bit ADC Conversion Accuracy | A-41 |
| A-35 | 10-Bit ADC Conversion Accuracy | A-42 |
| A-36 | Programming Voltage Envelope | A-44 |
| A-37 | V _{FPE} Conditioning Circuit | A-44 |
| B-1 | MC68HC16Y3 Pin Assignment for 160-Pin Package | B-2 |
| B-2 | MC68HC916Y3 Pin Assignment for 160-Pin Package | B-3 |
| B-3 | 160-Pin Package Dimensions | B-4 |
| D-1 | CPU16 Register Model | D-2 |

Freescale Semiconductor, Inc.

LIST OF TABLES

| Table | Title | Page |
|-------|--|------|
| 1-1 | MC68HC16Y3/916Y3 Modules | 1-1 |
| 3-1 | MC68HC16Y3/MC68HC916Y3 Pin Characteristics | 3-8 |
| 3-2 | MC68HC16Y3/MC68HC916Y3 Driver Types..... | 3-12 |
| 3-3 | MC68HC16Y3/MC68HC916Y3 Pin Functions | 3-13 |
| 4-2 | Instruction Set Summary | 4-12 |
| 4-3 | Instruction Set Abbreviations and Symbols..... | 4-30 |
| 4-4 | CPU16 Implementation of M68HC11 CPU Instructions | 4-32 |
| 4-5 | Exception Vector Table | 4-38 |
| 4-6 | IPIPE0/IPIPE1 Encoding | 4-41 |
| 4-7 | Command Summary | 4-43 |
| 5-1 | Show Cycle Enable Bits | 5-4 |
| 5-2 | 16.78 MHz Clock Control Multipliers | 5-10 |
| 5-3 | 16.78 MHz System Clock Frequencies | 5-12 |
| 5-4 | Bus Monitor Period..... | 5-17 |
| 5-5 | MODCLK Pin and SWP Bit During Reset | 5-18 |
| 5-6 | Software Watchdog Divide Ratio..... | 5-19 |
| 5-7 | MODCLK Pin and PTP Bit at Reset | 5-20 |
| 5-8 | Periodic Interrupt Priority | 5-21 |
| 5-9 | Size Signal Encoding | 5-24 |
| 5-10 | Address Space Encoding | 5-24 |
| 5-11 | Effect of \overline{DSACK} Signals | 5-26 |
| 5-12 | Operand Alignment | 5-28 |
| 5-13 | \overline{DSACK} , BERR, and HALT Assertion Results..... | 5-36 |
| 5-14 | Reset Source Summary | 5-41 |
| 5-15 | Basic Configuration Options..... | 5-42 |
| 5-16 | Bus and Port Configuration Options..... | 5-42 |
| 5-17 | 16-Bit Expanded Mode Reset Configuration | 5-46 |
| 5-18 | 8-Bit Expanded Mode Reset Configuration | 5-47 |
| 5-19 | Single-Chip Mode Reset Configuration | 5-48 |
| 5-20 | Module Pin Functions..... | 5-50 |
| 5-21 | SCIM2 Pin Reset States..... | 5-52 |
| 5-22 | Chip-Select Pin Functions | 5-63 |
| 5-23 | Pin Assignment Field Encoding..... | 5-64 |
| 5-24 | Block Size Encoding..... | 5-65 |
| 5-25 | Chip-Select Base and Option Register Reset Values | 5-69 |
| 5-26 | \overline{CSBOOT} Base and Option Register Reset Values..... | 5-70 |
| 5-27 | General-Purpose I/O Ports..... | 5-70 |
| 5-28 | Port E Pin Assignments..... | 5-72 |
| 5-29 | Port F Pin Assignments..... | 5-73 |
| 5-30 | PFPAR Pin Functions..... | 5-74 |
| 6-1 | SRAM Array Address Space Type..... | 6-2 |

Freescale Semiconductor, Inc.

LIST OF TABLES (Continued)

| Table | Title | Page |
|-------|---|-------|
| 7-1 | ROM Array Space Field | 7-2 |
| 7-2 | Wait States Field | 7-3 |
| 9-1 | Bootstrap Vector Assignments | 9-3 |
| 9-2 | TPUFLASH Erase Operation Address Ranges | 9-4 |
| 10-1 | FRZ Field Selection | 10-4 |
| 10-2 | Multiplexer Channel Sources | 10-5 |
| 10-3 | Prescaler Output | 10-7 |
| 10-4 | Sample Time Selection | 10-7 |
| 10-5 | Conversion Parameters Controlled by ADCTL1 | 10-8 |
| 10-6 | ADC Conversion Modes | 10-8 |
| 10-7 | Single-Channel Conversions (MULT = 0) | 10-10 |
| 10-8 | Multiple-Channel Conversions (MULT = 1) | 10-11 |
| 10-9 | Result Register Formats | 10-14 |
| 10-10 | External Circuit Settling Time (10-Bit Conversions) | 10-24 |
| 10-11 | Error Resulting From Input Leakage (IOFF) | 10-24 |
| 11-1 | Effect of DDRQS on QSM Pin Function | 11-5 |
| 11-2 | QSPI Pins | 11-9 |
| 11-3 | Bits Per Transfer | 11-19 |
| 11-4 | Serial Frame Formats | 11-27 |
| 11-5 | Effect of Parity Checking on Data Size | 11-28 |
| 12-1 | MCCI Interrupt Vectors | 12-3 |
| 12-2 | Pin Assignments | 12-4 |
| 12-3 | SPI Pin Functions | 12-7 |
| 12-4 | SCK Frequencies | 12-11 |
| 12-5 | SCI Pins | 12-18 |
| 12-6 | Serial Frame Formats | 12-19 |
| 12-7 | Effect of Parity Checking on Data Size | 12-20 |
| 14-1 | TCR1 Prescaler Control Bits | 14-14 |
| 14-2 | TCR2 Counter Clock Source | 14-15 |
| 14-3 | TCR2 Prescaler Control | 14-16 |
| 14-4 | TPU2 Function Encodings | 14-17 |
| 14-5 | Channel Priority Encodings | 14-18 |
| A-1 | Maximum Ratings | A-1 |
| A-2 | Typical Ratings | A-2 |
| A-3 | Thermal Characteristics | A-3 |
| A-4 | Clock Control Timing | A-4 |
| A-5 | DC Characteristics | A-5 |
| A-6 | AC Timing | A-8 |
| A-7 | 16.78 MHz Background Debug Mode Timing | A-20 |
| A-8 | ECLK Bus Timing | A-21 |
| A-9 | QSPI Timing | A-23 |

Freescale Semiconductor, Inc.

LIST OF TABLES (Continued)

| Table | Title | Page |
|-------|---|------|
| A-10 | SPI Timing..... | A-26 |
| A-11 | General Purpose Timer AC Characteristics | A-29 |
| A-12 | ADC Maximum Ratings | A-38 |
| A-13 | ADC DC Electrical Characteristics (Operating) | A-39 |
| A-14 | ADC AC Characteristics (Operating)..... | A-39 |
| A-15 | ADC Conversion Characteristics (Operating)..... | A-40 |
| A-16 | TPUFLASH/Flash EEPROM Module Specifications | A-43 |
| A-17 | TPUFLASH/Flash EEPROM Module Life..... | A-43 |
| D-1 | Module Address Map | D-1 |
| D-2 | SCIM2 Address Map | D-4 |
| D-3 | Show Cycle Enable Bits | D-6 |
| D-4 | Port E Pin Assignments..... | D-11 |
| D-5 | Port F Pin Assignments..... | D-13 |
| D-6 | Software Watchdog Divide Ratio..... | D-14 |
| D-7 | Bus Monitor Timeout Period..... | D-15 |
| D-8 | Pin Assignment Field Encoding..... | D-18 |
| D-9 | CSPAR0 Pin Assignments | D-18 |
| D-10 | CSPAR1 Pin Assignments | D-19 |
| D-11 | Reset Pin Function of CS[10:6] | D-19 |
| D-12 | Block Size Field Bit Encoding..... | D-20 |
| D-13 | BYTE Field Bit Encoding | D-21 |
| D-14 | Read/Write Field Bit Encoding | D-21 |
| D-15 | DSACK Field Encoding | D-22 |
| D-16 | Address Space Bit Encodings | D-23 |
| D-17 | Interrupt Priority Level Field Encoding | D-23 |
| D-18 | SRAM Address Map..... | D-25 |
| D-19 | SRAM Array Address Space Type | D-25 |
| D-20 | MRM Address Map..... | D-27 |
| D-21 | ROM Array Space Field | D-28 |
| D-22 | Wait States Field | D-28 |
| D-23 | Flash EEPROM Address Map..... | D-31 |
| D-24 | Array Space Encoding..... | D-33 |
| D-25 | Wait State Encoding | D-34 |
| D-26 | Bootstrap Words..... | D-36 |
| D-27 | ADC Module Address Map..... | D-37 |
| D-29 | Sample Time Selection | D-39 |
| D-30 | Prescaler Output | D-40 |
| D-31 | ADC Conversion Mode..... | D-41 |
| D-32 | Single-Channel Conversions (MULT = 0)..... | D-42 |
| D-33 | Multiple-Channel Conversions (MULT = 1) | D-43 |
| D-34 | QSM Address Map | D-46 |

Freescale Semiconductor, Inc.

LIST OF TABLES (Continued)

| Table | Title | Page |
|-------|--|-------|
| D-35 | Examples of SCI Baud Rates..... | D-49 |
| D-36 | PQSPAR Pin Assignments..... | D-53 |
| D-37 | Effect of DDRQS on QSM Pin Function | D-54 |
| D-38 | Bits Per Transfer | D-55 |
| D-39 | Examples of SCK Frequencies | D-56 |
| D-40 | MCCI Address Map | D-62 |
| D-41 | Interrupt Vector Sources | D-64 |
| D-42 | MPAR Pin Assignments | D-65 |
| D-43 | Effect of MDDR on MCCI Pin Function | D-66 |
| D-44 | Examples of SCI Baud Rates..... | D-68 |
| D-45 | GPT Address Map..... | D-75 |
| D-46 | GPT Interrupt Sources | D-77 |
| D-47 | PAMOD and PEDGE Effects..... | D-79 |
| D-48 | PACLK[1:0] Effects..... | D-79 |
| D-49 | OM/OL[5:2] Effects..... | D-80 |
| D-50 | EDGE[4:1] Effects | D-80 |
| D-51 | CPR[2:0]/Prescaler Select Field..... | D-81 |
| D-52 | PPR[2:0] Field | D-83 |
| D-54 | TPU2 Register Map..... | D-86 |
| D-55 | TCR1 Prescaler Control Bits | D-87 |
| D-56 | TCR2 Prescaler Control Bits | D-88 |
| D-57 | FRZ[1:0] Encoding | D-90 |
| D-58 | Breakpoint Enable Bits..... | D-90 |
| D-59 | Channel Priorities | D-94 |
| D-60 | Entry Table Bank Location | D-95 |
| D-61 | System Clock Frequency/Minimum Guaranteed Detected Pulse | D-96 |
| D-62 | Parameter RAM Address Map | D-97 |
| D-63 | TPUFLASH Address Map | D-98 |
| D-64 | Array Space Encoding..... | D-100 |
| 14-7 | TPUFLASH Erase Operation Address Ranges..... | D-102 |

SECTION 1 INTRODUCTION

The MC68HC16Y3 and the MC68HC916Y3 microcontrollers are high-speed 16-bit control units that are upwardly code compatible with M68HC11 controllers. Both are members of the M68HC16 Family of modular microcontrollers.

M68HC16 microcontroller units (MCUs) are built up from standard modules that interface via a common internal bus. Standardization facilitates rapid development of devices tailored for specific applications.

MC68HC16Y3 and the MC68HC916Y3 MCUs incorporate a number of different modules. Refer to **Table 1-1** for information on the contents of a particular MCU. (x) indicates that the module is used in the MCU. All of these modules are interconnected by the intermodule bus (IMB).

Table 1-1 MC68HC16Y3/916Y3 Modules

| Modules | MC68HC16Y3 | MC68HC916Y3 |
|---|------------|-------------|
| Central Processor Unit (CPU16) | X | X |
| Single-Chip Integration Module 2 (SCIM2) | X | X |
| Standby RAM (SRAM) | 4K | 2K |
| Masked ROM Module (MRM) | 96K | — |
| Analog-to-Digital Converter (ADC) | X | X |
| Queued Serial Module (QSM) | X | X |
| Multichannel Communication Interface (MCCI) | X | X |
| General Purpose Timer (GPT) | X | X |
| Time Processor Unit 2 (TPU2) | X | X |
| TPU Flash EEPROM (TPUFLASH) | — | 4K |
| Flash EEPROM Module (FLASH) | — | 96K |

The maximum system clock for MC68HC16Y3 and the MC68HC916Y3 MCUs is 16.78 MHz. An internal phase-locked loop circuit synthesizes the system clock from either a slow (typically 32.768 kHz) or fast (typically 4.194 MHz) reference, or uses an external frequency source. System hardware and software support changes in clock rate during operation. Because the MCUs are a fully static design, register and memory contents are not affected by clock rate changes.

High-density complementary metal-oxide semiconductor (HCMOS) architecture makes the basic power consumption low. Power consumption can be minimized by stopping the system clock. The M68HC16 instruction set includes a low-power stop (LPSTOP) command that efficiently implements this capability.

Freescale Semiconductor, Inc.

Documentation for the Modular Microcontroller Family follows the modular construction of the devices in the product line. Each device has a comprehensive user's manual that provides sufficient information for normal operation of the device. The user's manual is supplemented by module reference manuals that provide detailed information about module operation and applications. Refer to Motorola publication *Advanced Microcontroller Unit (AMCU) Literature* (BR1116/D) for a complete list of documentation to supplement this manual.

Freescale Semiconductor, Inc.

SECTION 2 NOMENCLATURE

The following tables show the nomenclature used throughout the MC68HC16Y3/916Y3 User's Manual.

2.1 Symbols and Operators

| Symbol | Function |
|--------|--|
| + | Addition |
| - | Subtraction (two's complement) or negation |
| * | Multiplication |
| / | Division |
| > | Greater |
| < | Less |
| = | Equal |
| ≥ | Equal or greater |
| ≤ | Equal or less |
| ≠ | Not equal |
| • | AND |
| + | Inclusive OR (OR) |
| ⊕ | Exclusive OR (EOR) |
| NOT | Complementation |
| : | Concatenation |
| ⇒ | Transferred |
| ↔ | Exchanged |
| ± | Sign bit; also used to show tolerance |
| « | Sign extension |
| % | Binary value |
| \$ | Hexadecimal value |

Freescale Semiconductor, Inc.

2.2 CPU16 Register Mnemonics

| Mnemonic | Register |
|----------|---|
| A | Accumulator A |
| AM | Accumulator M |
| B | Accumulator B |
| CCR | Condition code register |
| D | Accumulator D |
| E | Accumulator E |
| EK | Extended addressing extension field |
| HR | MAC multiplier register |
| IR | MAC multiplicand register |
| IX | Index register X |
| IY | Index register Y |
| IZ | Index register Z |
| K | Address extension register |
| PC | Program counter |
| PK | Program counter extension field |
| SK | Stack pointer extension field |
| SP | Stack pointer |
| XK | Index register X extension field |
| YK | Index register Y extension field |
| ZK | Index register Z extension field |
| XMSK | Modulo addressing index register X mask |
| YMSK | Modulo addressing index register Y mask |
| S | LPSTOP mode control bit |
| MV | AM overflow flag |
| H | Half carry flag |
| EV | AM extended overflow flag |
| N | Negative flag |
| Z | Zero flag |
| V | Two's complement overflow flag |
| C | Carry/borrow flag |
| IP | Interrupt priority field |
| SM | Saturation mode control bit |

2.3 Pin and Signal Mnemonics

| Mnemonic | Register |
|-------------------------|--|
| ADDR[23:0] | Address bus |
| AN[7:0] | ADC Analog inputs |
| \overline{AS} | Address strobe |
| \overline{BERR} | Bus error |
| \overline{BG} | Bus grant |
| \overline{BGACK} | Bus grant acknowledge |
| \overline{BKPT} | Breakpoint |
| \overline{BR} | Bus request |
| CLKOUT | System clock |
| CS[10:5], CS3 | Chip-selects |
| \overline{CSBOOT} | Boot ROM chip-select |
| \overline{CSE} | Emulation chip-select |
| \overline{CSM} | Module chip-select |
| DATA[15:0] | Data bus |
| \overline{DS} | Data strobe |
| $\overline{DSACK}[1:0]$ | Data and size acknowledge |
| DSCLK | Development serial clock |
| DSI | Development serial input |
| DSO | Development serial output |
| ECLK | 6800 Bus clock |
| EXTAL | External crystal oscillator connection |
| FASTREF | Fast/slow reference select |
| FC[2:0] | Function codes |
| FREEZE | Freeze |
| HALT | Halt |
| IC[3:1] | GPT Input capture |
| IPIPE[1:0] | Instruction pipeline MUX |
| $\overline{IRQ}[7:1]$ | Interrupt request |
| MISO | Master in slave out |
| MOSI | Master out slave in |
| OC[5:1] | GPT Output compare |
| PA[7:0] | SCIM2 I/O port A |
| PADA[7:0] | ADC I/O port A |
| PAI | GPT Pulse accumulator input |
| PB[7:0] | SCIM2 I/O port B |
| PC[6:0] | SCIM2 I/O port C |
| PCLK | GPT External clock input |
| PCS[2:0] | QSPI Peripheral chip-selects |
| PE[7:0] | SCIM2 I/O port E |
| PF[7:0] | SCIM2 I/O port F |
| PG[7:0] | SCIM2 I/O port G |

Freescale Semiconductor, Inc.

| Mnemonic | Register |
|---|---|
| PGP[7:0] | GPT I/O port |
| PH[7:0] | SCIM2 I/O port H |
| PQS[5:0] | QSM I/O port |
| PWMA | PWM Output A |
| PWMB | PWM Output B |
| QUOT | Quotient out |
| R/\bar{W} | Read/Write |
| $\overline{\text{RESET}}$ | Reset |
| RXDA | SCI A Receive Data |
| RXDB | SCI B Receive Data |
| SCK | Serial clock (SPI) |
| SIZ[1:0] | Size |
| $\overline{\text{SS}}$ | Slave-select |
| TSC | Three-state control |
| TXDA | SCI A Transmit Data |
| TXDB | SCI B Transmit Data |
| $V_{\text{DDA}}/V_{\text{SSA}}$ | A/D Converter power |
| $V_{\text{DDSYN}}/\text{MODCLK}/V_{\text{SSSYN}}$ | Clock synthesizer power |
| V_{FPE} | Flash EEPROM/TPU Flash EEPROM program/erase power |
| $V_{\text{RH}}/V_{\text{RL}}$ | A/D Reference voltage |
| $V_{\text{SS}}/V_{\text{DD}}$ | Microcontroller power |
| V_{STBY} | Standby RAM power |
| XFC | External filter capacitor connection |
| XTAL | External crystal oscillator connection |

Freescale Semiconductor, Inc.

2.4 Register Mnemonics

| Mnemonic | Register |
|-----------------|---|
| ADCMCR | ADC Module Configuration Register |
| ADTEST | ADC Test Register |
| ADCTL[0:1] | ADC Control Registers [0:1] |
| ADSTAT | ADC Status Register |
| CFORC | GPT Compare Force Register |
| CFSR[0:3] | TPU2 Channel Function Selection Registers [0:3] |
| CIER | TPU2 Channel Interrupt Enable Register |
| CISR | TPU2 Channel Interrupt Status Register |
| CPR[0:1] | TPU2 Channel Priority Registers [0:1] |
| CREG | SCIM2 Test Module Control Register |
| CR[0:F] | QSM Command RAM [0:F] |
| CSBARBT | SCIM2 Chip-Select Base Address Register Boot ROM |
| CSBAR[0:10] | SCIM2 Chip-Select Base Address Registers [0:10] |
| CSORBT | SCIM2 Chip-Select Option Register Boot ROM |
| CSOR[0:10] | SCIM2 Chip-Select Option Registers [0:10] |
| CSPAR[0:1] | SCIM2 Chip-Select Pin Assignment Registers [0:1] |
| DCNR | TPU2 Decoded Channel Number Register |
| DDRAB | SCIM2 Port A/B Data Direction Register |
| DDRE | SCIM2 Port E Data Direction Register |
| DDRF | SCIM2 Port F Data Direction Register |
| DDRG | SCIM2 Port G Data Direction Register |
| DDRGP | GPT Port GP Data Direction Register |
| DDRH | SCIM2 Port H Data Direction Register |
| DDRM | MCCI Data Direction Register |
| DDRQS | QSM Port QS Data Direction Register |
| DREG | SCIM2 Test Module Distributed Register |
| DSCR | TPU2 Development Support Control Register |
| DSSR | TPU2 Development Support Status Register |
| FEE[1:3]BAH | Flash EEPROM Base Address High Registers [1:3] |
| FEE[1:3]BAL | Flash EEPROM Base Address Low Registers [1:3] |
| FEE[1:3]BS[0:3] | Flash EEPROM [1:3] Bootstrap Words [0:3] |
| FEE[1:3]CTL | Flash EEPROM Control Registers [1:3] |
| FEE[1:3]MCR | Flash EEPROM Module Configuration Registers [1:3] |
| FEE[1:3]TST | Flash EEPROM Test Registers [1:3] |
| GPTMCR | GPT Module Configuration Register |
| GPTMTR | GPT Module Test Register |
| HSQR[0:1] | TPU2 Host Sequence Register [0:1] |
| HSRR[0:1] | TPU2 Host Service Request Register [0:1] |
| ICR | GPT Interrupt Configuration Register |
| ILSCI | MCCI SCI Interrupt Level Register |
| ILSPI | MCCI SPI Interrupt Level Register |

Freescale Semiconductor, Inc.

| Mnemonic | Register |
|------------|--|
| LR | TPU2 Link Register |
| LJSRR[0:7] | ADC Left-Justified Signed Result Registers [0:7] |
| LJURR[0:7] | ADC Left-Justified Unsigned Result Registers [0:7] |
| MIVR | MCCI Interrupt Vector Register |
| MMCR | MCCI Module Configuration Register |
| MPAR | MCCI Pin Assignment Register |
| MRMCR | Masked ROM Module Configuration Register |
| MTEST | MCCI Test Register |
| OC1D | GPT Output Compare 1 Action Data Register |
| OC1M | GPT Output Compare 1 Action Mask Register |
| PACNT | GPT Pulse Accumulator Counter Register |
| PACTL | GPT Pulse Accumulator Control Register |
| PEPAR | SCIM2 Port E Pin Assignment Register |
| PFIVR | SCIM2 Port F Edge Detect Interrupt Vector |
| PFLVR | SCIM2 Port F Edge Detect Interrupt Level |
| PFPAR | SCIM2 Port F Pin Assignment Register |
| PICR | SCIM2 Periodic Interrupt Control Register |
| PITR | SCIM2 Periodic Interrupt Timer Register |
| PORTA | SCIM2 Port A Data Register |
| PORTADA | ADC Port ADA Data Register |
| PORTB | SCIM2 Port B Data Register |
| PORTC | SCIM2 Port C Data Register |
| PORTE[0:1] | SCIM2 Port E Data Registers [0:1] |
| PORTF[0:1] | SCIM2 Port F Data Registers [0:1] |
| PORTG | SCIM2 Port G Data Register |
| PORTGP | GPT Port GP Data Register |
| PORTH | SCIM2 Port H Data Register |
| PORTF | SCIM2 Port F Data Register |
| PORTFE | SCIM2 Port F Edge Detect Flag |
| PORTMC | MCCI Port Data Register |
| PORTMCP | MCCI Port Pin State Register |
| PORTQS | QSM Port QS Data Register |
| PQSPAR | QSM Port QS Pin Assignment Register |
| PRESCL | GPT Prescaler Register |
| PWMA | GPT PWM Control Register A |
| PWMB | GPT PWM Control Register B |
| PWMBUFA | GPT PWM Buffer Register A |
| PWMBUFB | GPT PWM Buffer Register B |
| PWMC | GPT PWM Control Register C |
| PWMCNT | GPT PWM Counter Register |
| QILR | QSM Interrupt Level Register |
| QIVR | QSM Interrupt Vector Register |
| QSMCR | QSM Module Configuration Register |

Freescale Semiconductor, Inc.

| Mnemonic | Register |
|------------|---|
| QTEST | QSM Test Register |
| RAMBAH | RAM Array Base Address High Register |
| RAMBAL | RAM Array Base Address Low Register |
| RAMMCR | RAM Module Configuration Register |
| RAMTST | RAM Test Register |
| RJURR[0:7] | ADC Right-Justified Unsigned Result Registers [0:7] |
| ROMBAH | ROM Base Address High Register |
| ROMBAL | ROM Base Address Low Register |
| ROMBS[0:3] | ROM Bootstrap Words [0:3] |
| RR[0:F] | QSM Receive Data RAM [0:F] |
| RSR | SCIM2 Reset Status Register |
| SCCR[0:1] | QSM SCI Control Registers [0:1] |
| SCCR[0:1] | SCI Control Registers [0:1] |
| SCDR | QSM SCI Data Register |
| SCSR | QSM SCI Status Register |
| SCIM2CR | SCIM2 Module Configuration Register |
| SCIM2TR | SCIM2 Test Register |
| SCIM2TRE | SCIM2 Test Register (ECLK) |
| SIGHI | ROM Signature High Register |
| SIGLO | ROM Signature Low Register |
| SCCR0[A:B] | MCCI SCI Control 0 Registers [A:B] |
| SCCR1[A:B] | MCCI SCI Control 1 Registers [A:B] |
| SCDR[A:B] | MCCI SCI Data Registers [A:B] |
| SCDR | QSM SCI Data Register |
| SCSR[A:B] | MCCI SCI Status Registers [A:B] |
| SGLR | TPU2 Service Grant Latch Register |
| SPCR | MCCI SPI Control Register |
| SPDR | MCCI SPI Data Register |
| SPSR | QSM SPI Status Register |
| SPSR | MCCI SPI Status Register |
| SWSR | SCIM2 Software Watchdog Service Register |
| SYNCR | SCIM2 Clock Synthesizer Control Register |
| SYPCR | SCIM2 System Protection Control Register |
| TCNT | GPT Timer Counter Register |
| TCR | TPU2 Test Configuration Register |
| TCTL[1:2] | GPT Timer Control Registers [1:2] |
| TFBAH | TPUFLASH Base Address Register High |
| TFBAL | TPUFLASH Base Address Register Low |
| TFBS[0:3] | TPUFLASH Bootstrap Word [0:3] |
| TFCTL | TPUFLASH Control Register |
| TFLG[1:2] | GPT Timer Flag Registers [1:2] |
| TFMCR | TPUFLASH Module Configuration Register |
| TFTST | TPUFLASH Test Register |

Freescale Semiconductor, Inc.

| Mnemonic | Register |
|-----------|---|
| TI4/O5 | GPT Timer Input Capture 4/Output Compare 5 Register |
| TIC[1:3] | GPT Timer Input Capture Registers [1:3] |
| TICR | TPU2 Interrupt Configuration Register |
| TMSK[1:2] | GPT Timer Mask Register [1:2] |
| TOC[1:4] | GPT Timer Output Compare Registers [1:4] |
| TPUMCR | TPU2 Module Configuration Register |
| TPUMCR2 | TPU Module Configuration Register 2 |
| TR[0:F] | QSM Transmit RAM [0:F] |
| TSTMSRA | SCIM2 Test Master Shift Register A |
| TSTMSRB | SCIM2 Test Master Shift Register B |
| TSTRC | SCIM2 Test Repetition Count Register |
| TSTSC | SCIM2 Test Shift Count Register |

2.5 Conventions

Logic level one is the voltage that corresponds to a Boolean true (1) state.

Logic level zero is the voltage that corresponds to a Boolean false (0) state.

Set refers specifically to establishing logic level one on a bit or bits.

Clear refers specifically to establishing logic level zero on a bit or bits.

Asserted means that a signal is in active logic state. An active low signal changes from logic level one to logic level zero when asserted, and an active high signal changes from logic level zero to logic level one.

Negated means that an asserted signal changes logic state. An active low signal changes from logic level zero to logic level one when negated, and an active high signal changes from logic level one to logic level zero.

A specific mnemonic within a range is referred to by mnemonic and number. A15 is bit 15 of Accumulator A; ADDR7 is line 7 of the address bus; CSOR0 is chip-select option register 0. **A range of mnemonics** is referred to by mnemonic and the numbers that define the range. VBR[4:0] are bits four to zero of the Vector Base Register; CSOR[0:5] are the first six chip-select option registers.

Parentheses are used to indicate the content of a register or memory location, rather than the register or memory location itself. For example, (A) is the content of Accumulator A. (M : M + 1) is the content of the word at address M.

LSB means least significant bit or bits. **MSB** means most significant bit or bits. References to low and high bytes are spelled out.

LSW means least significant word or words. **MSW** means most significant word or words.

ADDR is the address bus. ADDR[7:0] are the eight LSB of the address bus.

DATA is the data bus. DATA[15:8] are the eight MSB of the data bus.

SECTION 3 OVERVIEW

This section provides general information on MC68HC16Y3 and MC68HC916Y3 MCUs. It lists features of each of the modules, shows device functional divisions and pinouts, summarizes signal and pin functions, discusses the intermodule bus, and provides system memory maps. Timing and electrical specifications for the entire microcontroller and for individual modules are provided in APPENDIX A ELECTRICAL CHARACTERISTICS. Comprehensive module register descriptions and memory maps are provided in APPENDIX D REGISTER SUMMARY.

3.1 MC68HC16Y3/916Y3 MCU Features

The following paragraphs highlight capabilities of each of the MCU modules. Each module is discussed separately in a subsequent section of this manual.

3.1.1 Central Processing Unit (CPU16)

- 16-Bit architecture
- Full set of 16-bit instructions
- Three 16-bit index registers
- Two 16-bit accumulators
- Control-oriented digital signal processing capability
- Addresses up to 1 Mbyte of program memory; 1 Mbyte of data memory
- Background debug mode
- Fully static operation

3.1.2 Single-Chip Integration Module 2 (SCIM2)

- Single-chip and expanded operating modes
- External bus support in expanded mode
- Nine programmable chip-select outputs
- Phase-locked loop system clock with user-selectable fast or slow reference
- Watchdog timer, clock monitor, and bus monitor
- Address and data bus provide 32 discrete I/O lines in single-chip mode
- Enhanced reset controller

3.1.3 Standby RAM (SRAM)

- 4-Kbyte SRAM used by the MC68HC16Y3
- 2-Kbyte SRAM used by the MC68HC916Y3
- Standby voltage (V_{STBY}) input for low-power standby operation
- Power-down status flag denotes loss of V_{STBY} during low-power standby operation

3.1.4 Masked ROM Module (MRM) — MC68HC16Y3 Only

- 96-Kbyte array, accessible as bytes or words
- User selectable default base address
- User selectable bootstrap ROM function
- User selectable ROM verification code

3.1.5 Flash EEPROM Module (FLASH) — MC68HC916Y3 Only

- 96 Kbytes, divided into three 32-Kbyte blocks

3.1.6 TPU Flash EEPROM Module (TPUFLASH) — MC68HC916Y3 Only

- 4-Kbytes
- Block-erasable; can be used for micro-ROM emulation or normal operation

3.1.7 Analog-to-Digital Converter (ADC)

- Eight channels, eight result registers, three result alignment modes
- Eight automated modes

3.1.8 Queued Serial Module (QSM)

- Queued serial peripheral interface
- Dual function I/O ports

3.1.9 Multichannel Communication Interface (MCCI)

- Two channels of enhanced SCI (UART)

3.1.10 General Purpose Timer (GPT)

- Two 16-bit free-running counters with one eight-stage prescaler
- Three input capture channels
- One input capture/output compare channel
- Four output compare channels
- One pulse accumulator/event counter input
- Two pulse width modulation outputs
- External clock input

3.1.11 Time Processor Unit 2 (TPU2)

- Sixteen channels, each associated with a pin
- Each channel can perform any time function
- Each channel can be programmed to perform match or capture operations with one or both of the two 16-bit free running timer count registers (TCR1 and TCR2)
- Resolution is one-half that of the system clock period

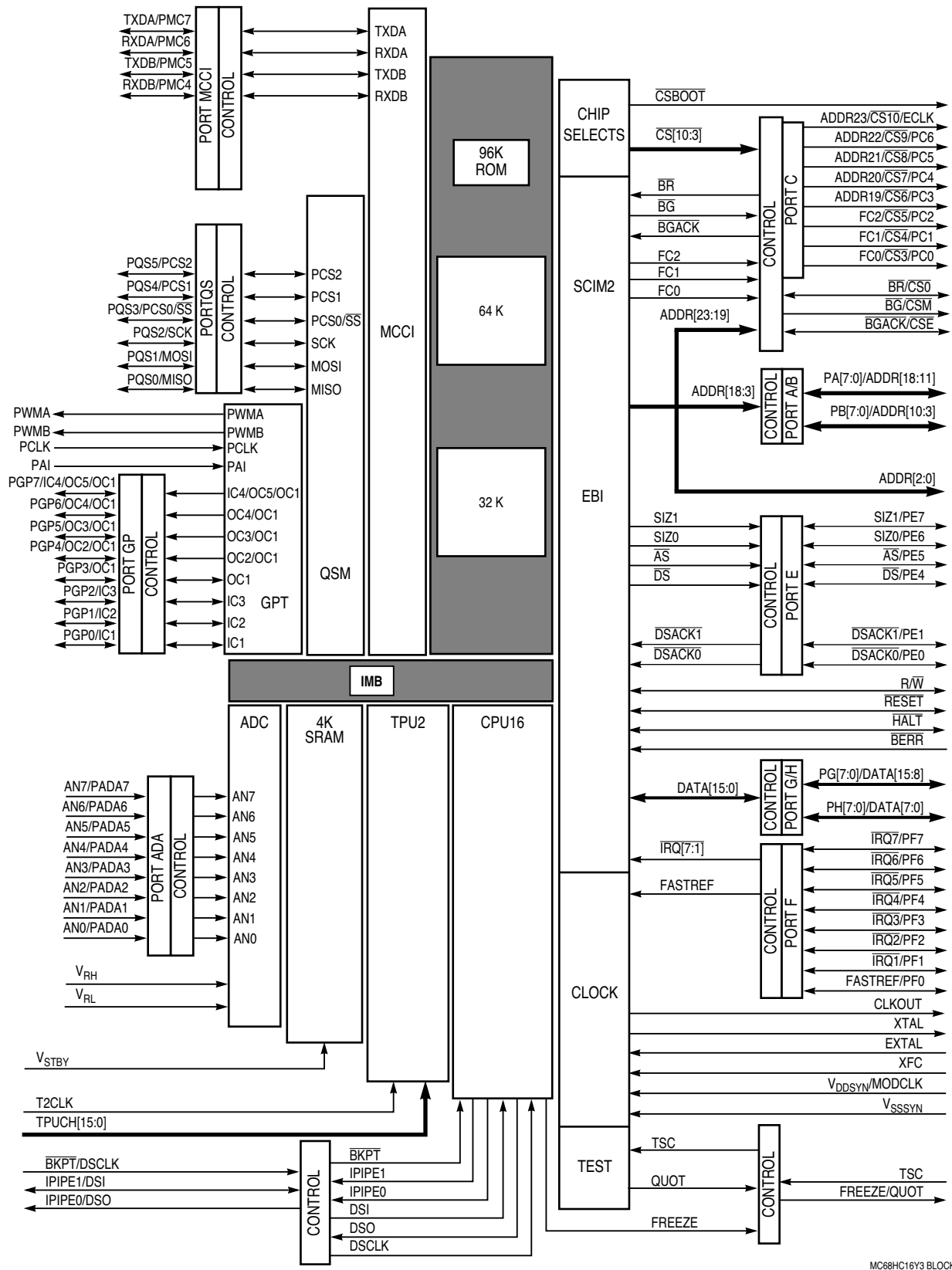
3.2 Intermodule Bus

The intermodule bus (IMB) is a standardized bus developed to facilitate the design of modular microcontrollers. It contains circuitry that supports exception processing, address space partitioning, multiple interrupt levels, and vectored interrupts. The standardized modules in MC68HC16Y3 and MC68HC916Y3 MCUs communicate with one another and external components via the IMB. Although the full IMB supports 24 address and 16 data lines, MC68HC16Y3 and MC68HC916Y3 MCUs use only 20 address lines. Because the CPU16 uses only 20 address lines, ADDR[23:20] follow the state of ADDR19.

3.3 System Block Diagram and Pin Assignment Diagrams

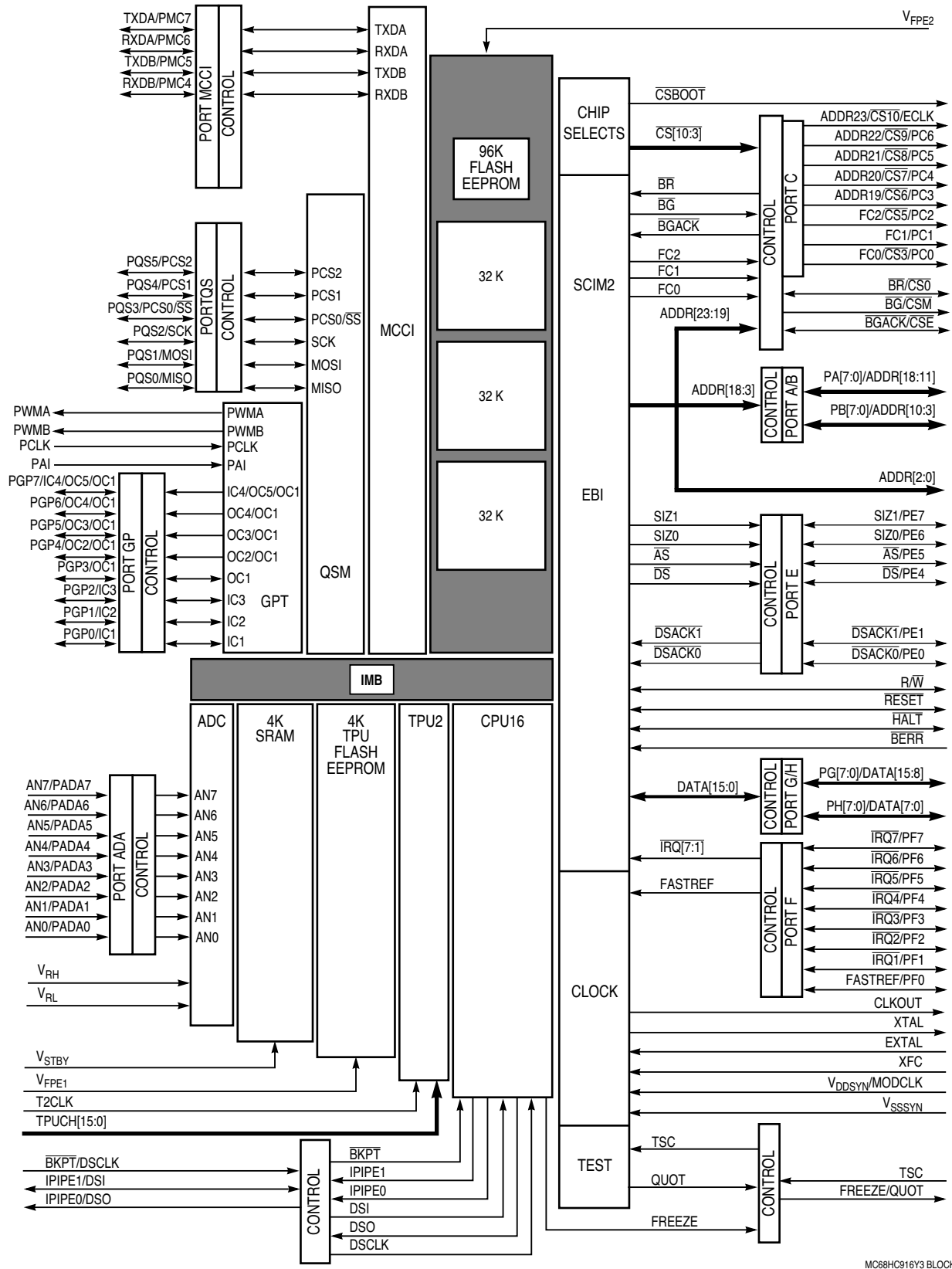
Figures 3-1 and **3-2** show functional block diagrams of MC68HC16Y3 and MC68HC916Y3 MCUs. Although diagram blocks represent the relative size of the physical modules, there is not a one-to-one correspondence between location and size of blocks in the diagram and location and size of integrated-circuit modules.

Figures 3-3 and **3-4** show MC68HC16Y3 and MC68HC916Y3 pin assignments based on a 160-pin plastic surface-mount package. Refer to APPENDIX B MECHANICAL DATA AND ORDERING INFORMATION for information on how to obtain package dimensions. Refer to subsequent paragraphs in this section for pin and signal descriptions.



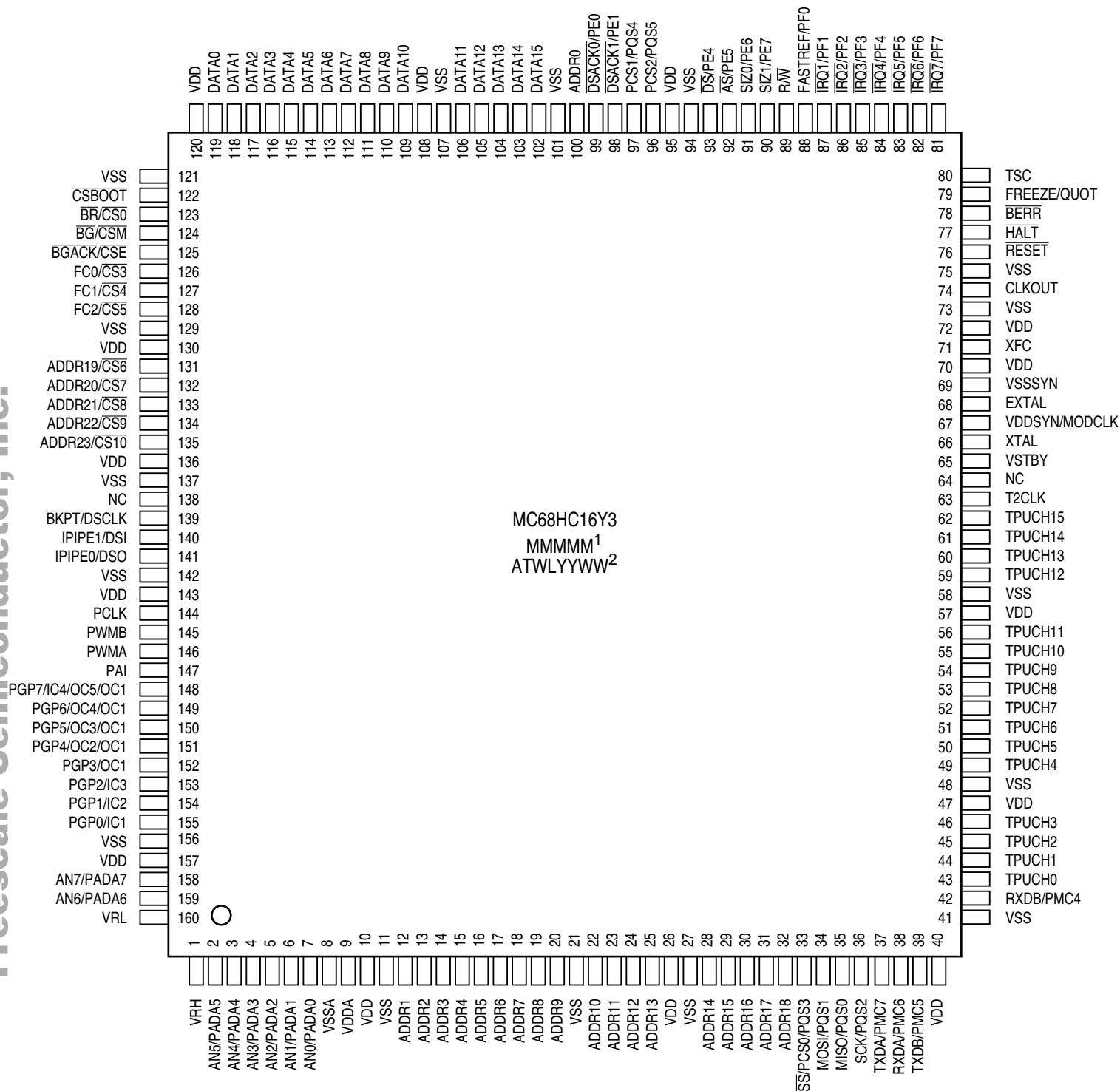
MC68HC16Y3 BLOCK

Figure 3-1 MC68HC16Y3 Block Diagram



MC68HC916Y3 BLOCK

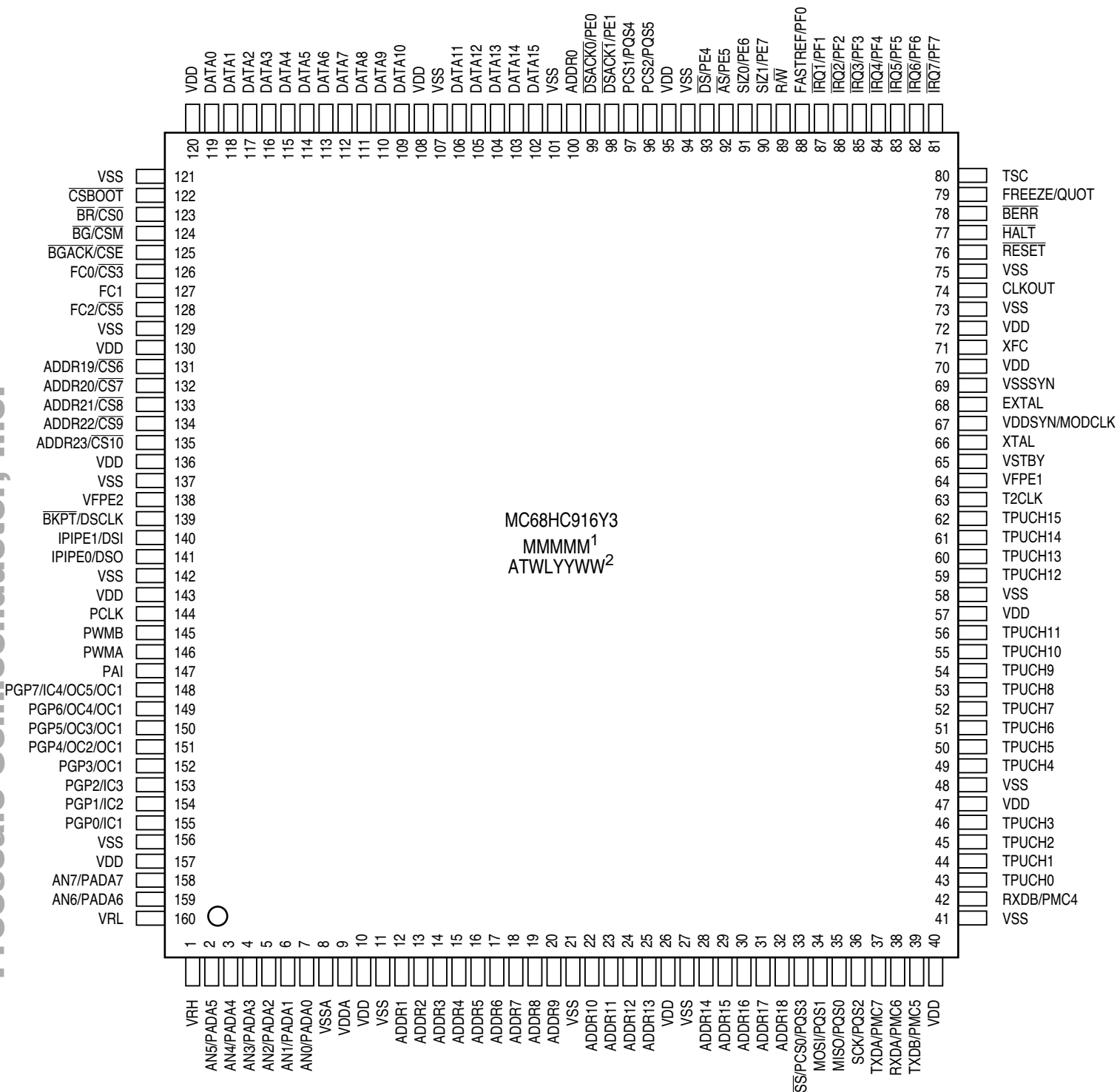
Figure 3-2 MC68HC916Y3 Block Diagram



- NOTES:
1. MMMMM = MASK OPTION NUMBER
 2. ATWLYYWW = ASSEMBLY TEST LOCATION/YEAR, WEEK

MC68HC16Y3 160-PIN QFP

Figure 3-3 MC68HC16Y3 Pin Assignment for 160-Pin Package



MC68HC916Y3
 M M M M M¹
 A T W L Y Y W W²

- NOTES:
 1. M M M M M = MASK OPTION NUMBER
 2. A T W L Y Y W W = ASSEMBLY TEST LOCATION/YEAR, WEEK

MC68HC916Y3 160-PIN QFP

Figure 3-4 MC68HC916Y3 Pin Assignment for 160-Pin Package

3.4 Pin Descriptions

Table 3-1 summarizes pin characteristics of the MC68HC16Y3 and MC68HC916Y3 MCUs. Entries in the “Associated Module” column indicate to which module individual pins belong. For MCU pins that can be outputs, the “Driver Type” column lists which output driver type is used. **Table 3-2** briefly describes the four primary driver types. A “—” in the “Driver Type” column indicates either that the pin is an input only, and thus does not have a driver, or that the pin has a special driver, like the XTAL pin. Entries in the “Synchronized Input” and “Input Hysteresis” columns denote whether MCU pins that can be inputs are synchronized to the system clock and if they have hysteresis. Pins that are outputs only or that have special characteristics, like the EXTAL pin, have a “—” in these columns.

Table 3-1 MC68HC16Y3/MC68HC916Y3 Pin Characteristics

| Pin Mnemonic(s) | Pin Number(s) | Associated Module | Driver Type | Synchronized Input | Input Hysteresis |
|--|--|-------------------|-------------|--------------------|------------------|
| ADDR0 ADDR1 ADDR2 | 100 12 13 | SCIM2 | A | — | — |
| ADDR3/PB0 ADDR4/PB1 ADDR5/PB2 ADDR6/PB3 ADDR7/PB4 ADDR8/PB5 ADDR9/PB6 ADDR10/PB7 | 14 15 16 17 18 19 20 21 | SCIM2 | A | Y | Y |
| ADDR11/PA0 ADDR12/PA1 ADDR13/PA2 ADDR14/PA3 ADDR15/PA4 ADDR16/PA5 ADDR17/PA6 ADDR18/PA7 | 23 24 25 28 29 30 31 32 | SCIM2 | A | Y | Y |
| ADDR19/CS6/PC3 ADDR20/CS7/PC4 ADDR21/CS8/PC5 ADDR22/CS9/PC6 | 131 132 133 134 | SCIM2 | A | — | — |
| ADDR23/CS10/ECLK | 135 | SCIM2 | A | — | — |
| AN0/PADA0 AN1/PADA1 AN2/PADA2 AN3/PADA3 AN4/PADA4 AN5/PADA5 AN6/PADA6 AN7/PADA7 | 7 6 5 4 3 2 159 158 | ADC | — | Y ¹ | Y |
| AS/PE5 | 92 | SCIM2 | B | Y | Y |
| BERR | 78 | SCIM2 | — | Y ² | N |
| BG/CSM | 124 | SCIM2 | B | — | — |
| BGACK/CSE | 125 | SCIM2 | B | Y | N |

Freescale Semiconductor, Inc.

Table 3-1 MC68HC16Y3/MC68HC916Y3 Pin Characteristics

| Pin Mnemonic(s) | Pin Number(s) | Associated Module | Driver Type | Synchronized Input | Input Hysteresis |
|--|--|-------------------|-------------|--------------------|------------------|
| BKPT/DSCLK | 139 | CPU16 | — | Y | Y |
| BR/CS0 | 123 | SCIM2 | B | Y | N |
| CLKOUT | 74 | SCIM2 | A | — | — |
| CSBOOT | 122 | SCIM2 | B | — | — |
| DATA0/PH0 DATA1/PH1 DATA2/PH2 DATA3/PH3 DATA4/PH4 DATA5/PH5 DATA6/PH6 DATA7/PH7 | 119 118 117 116 115 114 113 112 | SCIM2 | Aw | Y ³ | Y |
| DATA8/PG0 DATA9/PG1 DATA10/PG2 DATA11/PG3 DATA12/PG4 DATA13/PG5 DATA14/PG6 DATA15/PG7 | 111 110 109 106 105 104 103 102 | SCIM2 | Aw | Y ³ | Y |
| DS/PE4 | 93 | SCIM2 | B | Y | Y |
| DSACK0/PE0 DSACK1/PE1 | 99 98 | SCIM2 | B | Y | N |
| EXTAL ⁴ | 68 | SCIM2 | — | — | — |
| FASTREF/PF0 | 88 | SCIM2 | B | Y ¹ | Y |
| FC0/CS3/PC0 | 126 | SCIM2 | A | — | — |
| FC1/CS4/PC1 ⁵ | 127 | SCIM2 | A | — | — |
| FC2/CS5/PC2 | 128 | SCIM2 | A | — | — |
| FREEZE/QUOT | 79 | CPU16 | A | — | — |
| IC4/OC5/OC1/PGP7 | 148 | GPT | A | Y | Y |
| IC3/PGP2 IC2/PGP1 IC1/PGP0 | 153 154 155 | GPT | A | Y | Y |
| HALT | 77 | SCIM2 | Bo | Y ² | N |
| IPIPE0/DSO | 141 | CPU16 | A | — | — |
| IPIPE1/DSI | 140 | CPU16 | A | Y | Y |
| IRQ1/PF1 IRQ2/PF2 IRQ3/PF3 IRQ4/PF4 IRQ5/PF5 IRQ6/PF6 IRQ7/PF7 | 87 86 85 84 83 82 81 | SCIM2 | B | Y | Y |
| MISO/PQS0 | 35 | QSM | Bo | Y ¹ | Y |
| MOSI/PQS1 | 34 | QSM | Bo | Y ¹ | Y |

Freescale Semiconductor, Inc.

Table 3-1 MC68HC16Y3/MC68HC916Y3 Pin Characteristics

| Pin Mnemonic(s) | Pin Number(s) | Associated Module | Driver Type | Synchronized Input | Input Hysteresis |
|--|--|-------------------|-------------|--------------------|------------------|
| OC4/OC1/PGP6 OC3/OC1/PGP5 OC2/OC1/PGP4 OC1/PGP3 | 149 150 151 152 | GPT | A | Y | Y |
| PAI ⁶ | 147 | GPT | — | Y | Y |
| PCLK ⁶ | 144 | GPT | — | Y | Y |
| PCS2/PQS2 PCS1/PQS1 | 96 97 | QSM | — | Y | Y |
| PWMA ⁷ PWMB ⁷ | 146 145 | GPT | — | Y | Y |
| R/W | 89 | SCIM2 | A | — | — |
| RESET | 76 | SCIM2 | Bo | Y | Y |
| RXDA/PMC6 RXDB/PMC4 | 38 42 | MCCI | Bo | Y ¹ | Y |
| SS/PCS0/PQS3 | 33 | QSM | Bo | Y | Y |
| SCK/PQS2 | 36 | QSM | Bo | Y ¹ | Y |
| SIZ0/PE6 SIZ1/PE7 | 91 90 | SCIM2 | B | Y | Y |
| T2CLK | 63 | TPU2 | — | Y | Y |
| TPUCH0 TPUCH1 TPUCH2 TPUCH3 TPUCH4 TPUCH5 TPUCH6 TPUCH7 TPUCH8 TPUCH9 TPUCH10 TPUCH11 TPUCH12 TPUCH13 TPUCH14 TPUCH15 | 43 44 45 46 49 50 51 52 53 54 55 56 59 60 61 62 | TPU2 | A | Y | Y |
| TSC | 80 | SCIM2 | — | Y | Y |
| TXDA/PMC7 TXDB/PMC5 | 37 39 | MCCI | Bo | Y ¹ | Y |

Freescale Semiconductor, Inc.

Table 3-1 MC68HC16Y3/MC68HC916Y3 Pin Characteristics

| Pin Mnemonic(s) | Pin Number(s) | Associated Module | Driver Type | Synchronized Input | Input Hysteresis |
|----------------------|---|----------------------------|-------------|--------------------|------------------|
| V_{DD} | 10 26 40 47 57 70 72 95 108 120 130 136 143 157 | — | — | — | — |
| V_{DDA} | 9 | ADC | — | — | — |
| $V_{DDSYN}/MODCLK$ | 67 | SCIM2 | — | — | — |
| V_{FPE1} | 64 | TPUFLASH | — | — | — |
| V_{FPE2} | 138 | FLASH1 FLASH2 FLASH3 | — | — | — |
| V_{RH} V_{RL} | 1 160 | ADC | — | — | — |
| V_{SS} | 11 21 27 41 48 58 73 75 94 101 107 121 129 137 142 156 | — | — | — | — |
| V_{SSA} | 8 | ADC | — | — | — |
| V_{SSSYN} | 69 | SCIM2 | — | — | — |
| V_{STBY} | 65 | SRAM | — | — | — |
| XFC ⁴ | 71 | SCIM2 | — | — | — |
| XTAL ⁴ | 66 | SCIM2 | — | — | — |

NOTES:

1. AN[7:0]/PADA[7:0], FASTREF/PF0, MISO/PQS0, MOSI/PQS1, SCK/PQS2, \overline{SS} /PQS3, RXDB/PMC4, TXDB/PMC5, RXDA/PMC6, and TXDA/PMC7 inputs are only synchronized when used as discrete general purpose inputs.
2. BERR is only synchronized when executing retry or late bus cycle operations. \overline{HALT} is only synchronized when executing retry or single-step bus cycle operations. These uses of \overline{HALT} and BERR are only supported on the CPU32 and not the CPU16.

3. DATA[15:8]/PG[7:0] and DATA[7:0]/PH[7:0] are only synchronized during reset and when being used as discrete general purpose inputs.
4. EXTAL, XFC, and XTAL are clock connections.
5. $\overline{CS4}$ is used only on the MC68HC16Y3.
6. PAI and PCLK can be used for discrete input, but are not part of an I/O port.
7. PWMA and PWMB can be used for discrete input, but are not part of an I/O port.

Table 3-2 MC68HC16Y3/MC68HC916Y3 Driver Types

| Type | I/O | Description |
|------|-----|--|
| A | O | Three-state capable output signals |
| Aw | O | Type A output with weak p-channel pullup during reset |
| B | O | Three-state output that includes circuitry to pull up output before high impedance is established, to ensure rapid rise time |
| Bo | O | Type B output that can be operated in an open-drain mode |

3.5 Signal Descriptions

Table 3-3 summarizes pin functions of the MC68HC16Y3 and MC68HC916Y3 MCUs. Entries in the “Active State(s)” column denote the polarity of each MCU pin in its active state. Some MCU pins have multiple functions and thus have multiple entries in the “Active State(s)” column. For example, the ADDR23/ $\overline{CS10}$ /ECLK pin can be programmed to be either address line 23 (ADDR23), chip-select output 10 ($\overline{CS10}$), or the M6800 bus clock (ECLK). Its entry in the “Active State(s)” column is “—/0/—” which indicates the following:

- When programmed as ADDR23, the pin has no active state (“—”); it conveys information when driven by the MCU to logic 0 or logic 1.
- When programmed as $\overline{CS10}$, the pin is active when driven to logic 0 (“0”) by the MCU. When driven to logic 1, the chip-select function is inactive.
- When programmed as ECLK, the pin has no active state (“—”). M6800 bus devices drive or prepare to latch an address when ECLK is logic 0 and drive or prepare to latch data when ECLK is logic 1.

The “Discrete I/O Use” column indicates whether each pin can be used as a general purpose input, output, or both. Those pins that cannot be used for general purpose I/O will have a “—” in this column.

Freescale Semiconductor, Inc.

Table 3-3 MC68HC16Y3/MC68HC916Y3 Pin Functions

| Pin Mnemonic(s) | Pin Number(s) | Active State(s) | Associated Module | Description | Discrete I/O Use |
|--|--|-----------------|-------------------|---|------------------|
| ADDR0 ADDR1 ADDR2 | 100 12 13 | — | SCIM2 | Address lines [2:0]. | — |
| ADDR3/PB0 ADDR4/PB1 ADDR5/PB2 ADDR6/PB3 ADDR7/PB4 ADDR8/PB5 ADDR9/PB6 ADDR10/PB7 | 14 15 16 17 18 19 20 21 | —/— | SCIM2 | Address lines [10:3] or digital I/O port B [7:0]. | I/O |
| ADDR11/PA0 ADDR12/PA1 ADDR13/PA2 ADDR14/PA3 ADDR15/PA4 ADDR16/PA5 ADDR17/PA6 ADDR18/PA7 | 23 24 25 28 29 30 31 32 | —/— | SCIM2 | Address lines [18:11] or digital I/O port A [7:0]. | I/O |
| ADDR19/ $\overline{CS6}$ /PC3 ADDR20/ $\overline{CS7}$ /PC4 ADDR21/ $\overline{CS8}$ /PC5 ADDR22/ $\overline{CS9}$ /PC6 | 131 132 133 134 | —/0/— | SCIM2 | Address lines [22:19], chip-select outputs [9:6], or digital output port C [6:3]. | O |
| ADDR23/ $\overline{CS10}$ /ECLK | 135 | —/0/— | SCIM2 | Address line 23, chip-select output 10, or E clock output for M6800 bus devices. | — |
| AN0/PADA0 AN1/PADA1 AN2/PADA2 AN3/PADA3 AN4/PADA4 AN5/PADA5 AN6/PADA6 AN7/PADA7 | 7 6 5 4 3 2 159 158 | —/— | ADC | Analog inputs to ADC multiplexer or digital input port ADA [7:0]. | I |
| \overline{AS} /PE5 | 92 | 0/— | SCIM2 | Indicates that a valid address is on the address bus or digital I/O port E5. | I/O |
| \overline{BERR} | 78 | 0 | SCIM2 | Requests a bus error exception. | — |
| \overline{BG} / \overline{CSM} | 124 | 0/0 | SCIM2 | Bus granted output or emulation memory chip-select output. | — |
| \overline{BGACK} / \overline{CSE} | 125 | 0/0 | SCIM2 | Bus grant acknowledge input or SCIM2 emulation chip-select output. | — |
| \overline{BKPT} /DSCLK | 139 | 0/— | CPU16 | Hardware breakpoint input or background debug mode serial data clock input. | — |
| \overline{BR} / $\overline{CS0}$ | 123 | 0/0 | SCIM2 | Bus request input or chip-select output 0. | — |
| CLKOUT | 74 | — | SCIM2 | System clock output. | — |
| \overline{CSBOOT} | 122 | 0 | SCIM2 | Boot memory device chip-select output. | — |

Freescale Semiconductor, Inc.

Table 3-3 MC68HC16Y3/MC68HC916Y3 Pin Functions

| Pin Mnemonic(s) | Pin Number(s) | Active State(s) | Associated Module | Description | Discrete I/O Use |
|--|--|-----------------|-------------------|---|------------------|
| DATA0/PH0 DATA1/PH1 DATA2/PH2 DATA3/PH3 DATA4/PH4 DATA5/PH5 DATA6/PH6 DATA7/PH7 | 119 118 117 116 115 114 113 112 | —/— | SCIM2 | Data bus lines [7:0] or digital I/O port H [7:0]. | I/O |
| DATA8/PG0 DATA9/PG1 DATA10/PG2 DATA11/PG3 DATA12/PG4 DATA13/PG5 DATA14/PG6 DATA15/PG7 | 111 110 109 106 105 104 103 102 | —/— | SCIM2 | Data bus lines [15:8] or digital I/O port G [7:0.] | I/O |
| $\overline{DS}/PE4$ | 93 | 0/— | SCIM2 | Indicates that an external device should place valid data on the bus during a read cycle, that valid has been placed on the bus during a write cycle, or digital I/O port E4. | I/O |
| $\overline{DSACK0}/PE0$ $\overline{DSACK1}/PE1$ | 99 98 | 0/— | SCIM2 | Data size and acknowledge inputs or digital I/O ports E [1:0]. | I/O |
| EXTAL | 68 | — | SCIM2 | Crystal oscillator or external clock input. | — |
| FASTREF/PF0 | 88 | 1/— | SCIM2 | Phase-locked loop reference select input or digital I/O port F0. | I/O |
| FC0/ $\overline{CS3}/PC0$ | 126 | —/0/— | SCIM2 | Function code output 0, chip-select output 3, or digital output port C0. | O |
| FC1/ $\overline{CS4}/PC1$ | 127 | —/— | SCIM2 | Function code output 1, chip-select output 4 (MC68HC16Y3 only), or digital output port C1. | O |
| FC2/ $\overline{CS5}/PC2$ | 128 | —/0/— | SCIM2 | Function code output 2, chip-select output 5, or digital output port C2. | O |
| FREEZE/QUOT | 79 | 1/— | CPU16 | Indicates that the CPU16 has entered background debug mode or provides the quotient bit of the polynomial divider in test mode. | — |
| IC4/OC5/OC1/PGP7 | 148 | — | GPT | Input capture 4, output capture 5, output capture 1, or port GP 7. | I/O |
| IC3/PGP2 IC2/PGP1 IC1/PGP0 | 153 154 155 | — | GPT | Input capture [3:1], or port GP [2:0]. | I/O |
| \overline{HALT} | 77 | 0 | SCIM2 | Suspends bus activity. | — |
| IPIPE0/DSO | 141 | —/— | CPU16 | Instruction pipeline state output 0 or background debug mode serial data output. | — |
| IPIPE1/DSI | 140 | —/— | CPU16 | Instruction pipeline state output 1 or background debug mode serial data input. | — |

Freescale Semiconductor, Inc.

Table 3-3 MC68HC16Y3/MC68HC916Y3 Pin Functions

| Pin Mnemonic(s) | Pin Number(s) | Active State(s) | Associated Module | Description | Discrete I/O Use |
|--|--|-----------------|-------------------|--|------------------|
| IRQ1/PF1 IRQ2/PF2 IRQ3/PF3 IRQ4/PF4 IRQ5/PF5 IRQ6/PF6 IRQ7/PF7 | 87 86 85 84 83 82 81 | 0/— | SCIM2 | External interrupt request inputs [7:1] or digital I/O port F [7:1]. | I/O |
| MISO/PMC0 | 35 | —/— | MCCI | SPI master input/slave output data or digital I/O port MC0. | I/O |
| MOSI/PMC1 | 34 | —/— | MCCI | SPI master output/slave input data or digital I/O port MC1. | I/O |
| OC4/OC1/PGP6 OC3/OC1/PGP5 OC2/OC1/PGP4 OC1/PGP3 | 149 150 151 152 | — | GPT | Output compare [4:1], output compare 1, or port GP [6:3]. | O |
| PAI | 147 | — | GPT | Pulse accumulator input | I |
| PCLK | 144 | — | GPT | Auxiliary timer clock | I |
| PCS2/PQS2 PCS1/PQS1 | 96 97 | — | QSM | Peripheral chip selects [2:1], or port QS [2:1]. | I/O |
| PWMA PWMB | 146 145 | — | GPT | Pulse width modulation [A:B] | O |
| R/ \bar{W} | 89 | 1/0 | SCIM2 | Indicates a data bus read when high and a data bus write when low. | — |
| $\bar{R}ESET$ | 76 | 0 | SCIM2 | System reset. | — |
| RXDA/PMC6 RXDB/PMC4 | 38 42 | —/— | MCCI | SCI A and B receive data inputs or digital I/O ports MC6 and MC4. | I/O |
| SCK/PQS2 | 33 | —/— | MCCI | SPI serial clock input/output or digital I/O port MC2. | I/O |
| SIZ0/PE6 SIZ1/PE7 | 36 | —/— | SCIM2 | Data transfer size outputs or digital I/O ports E [7:6]. | I/O |
| $\bar{S}S$ /PCS0/PQS3 | 33 | 0/— | QSM | SPI slave select input or digital I/O port QS3. | I/O |
| T2CLK | 63 | — | TPU2 | TPU clock input | — |
| TPUCH0 TPUCH1 TPUCH2 TPUCH3 TPUCH4 TPUCH5 TPUCH6 TPUCH7 TPUCH8 TPUCH9 TPUCH10 TPUCH11 TPUCH12 TPUCH13 TPUCH14 TPUCH15 | 43 44 45 46 49 50 51 52 53 54 55 56 59 60 61 62 | — | TPU2 | TPU channels [15:0] | — |
| TSC | 80 | 1 | SCIM2 | Three-state control | — |

Freescale Semiconductor, Inc.

Table 3-3 MC68HC16Y3/MC68HC916Y3 Pin Functions

| Pin Mnemonic(s) | Pin Number(s) | Active State(s) | Associated Module | Description | Discrete I/O Use |
|------------------------|---|-----------------|----------------------------|---|------------------|
| TXDA/PMC7 TXDB/PMC5 | 52 54 | —/— | MCCI | SCI A and B transmit data outputs or digital I/O ports MC7 and MC5. | I/O |
| V_{DD} | 10 26 40 47 57 70 72 95 108 120 130 136 143 157 | — | — | Digital supply voltage inputs. | — |
| V_{DDA} | 9 | — | ADC | ADC analog supply voltage input. | — |
| $V_{DDSYN}/MODCLK$ | 67 | —/1 | SCIM2 | Clock synthesizer power supply input. If V_{DDSYN} is grounded, the MCU will operate at the frequency of the signal input on the EXTAL pin. | — |
| V_{FPE1} | 64 | — | TPUFLASH | Block-erasable flash EEPROM program/erase supply voltage input. | — |
| V_{FPE2} | 138 | — | FLASH1 FLASH2 FLASH3 | Flash EEPROM program/erase supply voltage inputs. | — |
| V_{RH} V_{RL} | 1 160 | — | ADC | Analog-to-digital converter high and low voltage reference inputs. | — |
| V_{SS} | 11 21 27 41 48 58 73 75 94 101 107 121 129 137 142 156 | — | — | Digital ground reference. | — |
| V_{SSA} | 8 | — | ADC | ADC analog ground reference. | — |
| V_{SSSYN} | 69 | — | SCIM2 | Clock synthesizer ground reference. | — |
| V_{STBY} | 65 | — | SRAM | SRAM standby voltage supply input. | — |
| XFC | 71 | — | SCIM2 | Clock synthesizer filter connection. | — |
| XTAL | 66 | — | SCIM2 | Crystal oscillator output. | — |

3.6 CPU16 Memory Mapping

Each member of the M68HC16 family is comprised of a set of modules connected by the intermodule bus (IMB). The full IMB has a 16-bit data bus, a 24-bit address bus, and three function code lines, and ideally provides eight distinct memory maps, each with 16 megabytes of address space. In practice, only four of these memory maps are available for user code and data. Three are inaccessible because the function codes lines are never driven to states that allow them to be decoded, and one is devoted exclusively to control information not associated with normal read and write bus cycles.

The total amount of addressable memory is further limited on the CPU16. While the CPU32 can operate in both the user and supervisor modes denoted by the function code lines, the CPU16 operates only in supervisor mode. Excluding the CPU space memory map used for special bus cycles, the CPU16 can access only the supervisor program space and supervisor data space memory maps. The CPU16 also has only 20 address lines. This limits the total address space in each of the two memory maps to one megabyte.

Although the CPU16 has only 20 address lines, it still drives all 24 IMB address lines. IMB address lines [19:0] follow CPU address lines [19:0], and IMB address lines [23:20] follow the state of CPU address line 19 as shown in **Figure 3-5**. This causes an address space discontinuity to appear on the IMB when the CPU16 address bus rolls over from \$7FFFF to \$80000.

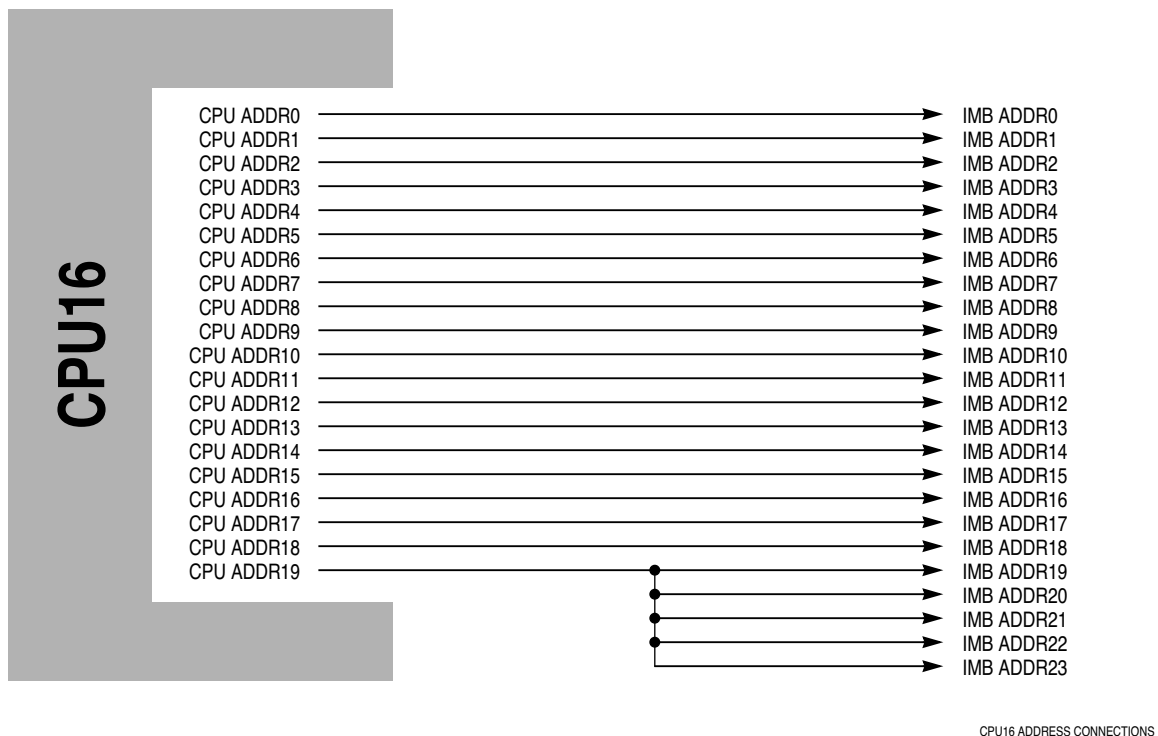


Figure 3-5 Address Bus Connections Between the CPU16 and IMB

Freescale Semiconductor, Inc.

Each address space boundary condition is outlined by the statements that follow. Consider **Figure 3-5** and the relationship between CPU address line 19 and IMB address lines [23:20] when examining these boundary conditions. The first boundary condition occurs when the CPU16 drives \$7FFFF onto its address bus and is derived as follows.

1. If CPU ADDR[19:0] = \$7FFFF = %0111 1111 1111 1111 1111
2. Then CPU ADDR19 = %0 and IMB ADDR19 = %0
3. Consequently, IMB ADDR[23:20] = %0000 = \$0
4. Thus IMB ADDR[23:0] = \$07FFFF = %0000 0111 1111 1111 1111 1111

The second boundary condition occurs when the CPU16 drives \$80000 onto its address bus and is derived as follows.

1. If CPU ADDR[19:0] = \$80000 = %1000 0000 0000 0000 0000,
2. Then CPU ADDR19 = %1 and IMB ADDR19 = %1
3. Consequently, IMB ADDR[23:20] = %1111 = \$F,
4. Thus IMB ADDR[23:0] = \$F80000 = %1111 1000 0000 0000 0000 0000

As the above boundary conditions illustrate, addresses between \$080000 and \$F7FFFF will never be seen on the IMB of a CPU16 derivative. At no time will IMB address lines [23:19] be driven to states opposite that of CPU address line 19.

It is important to note that this gap is present on the IMB only. The CPU16 simply sees a flat one megabyte memory map from \$00000 to \$FFFFFF, and user software need only generate 20-bit effective addresses to access any location in this range.

3.7 Internal Register Maps

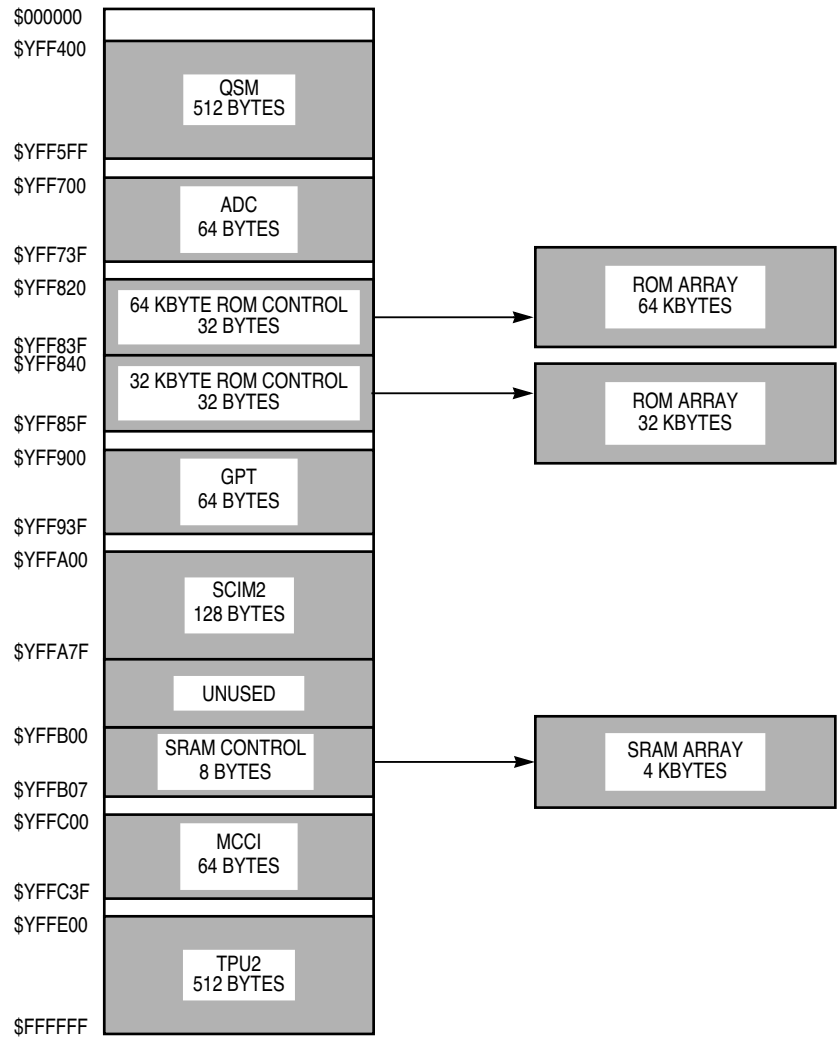
In **Figures 3-6** and **3-7**, IMB address lines [23:20] are represented by the letter Y. The value of Y is equal to %M111, where M is the logic state of the module mapping (MM) bit in the single-chip integration module configuration register (SCIMCR).

NOTE

MM must remain set to logic 1 on all CPU16 derivatives in order for MCU control registers to remain accessible.

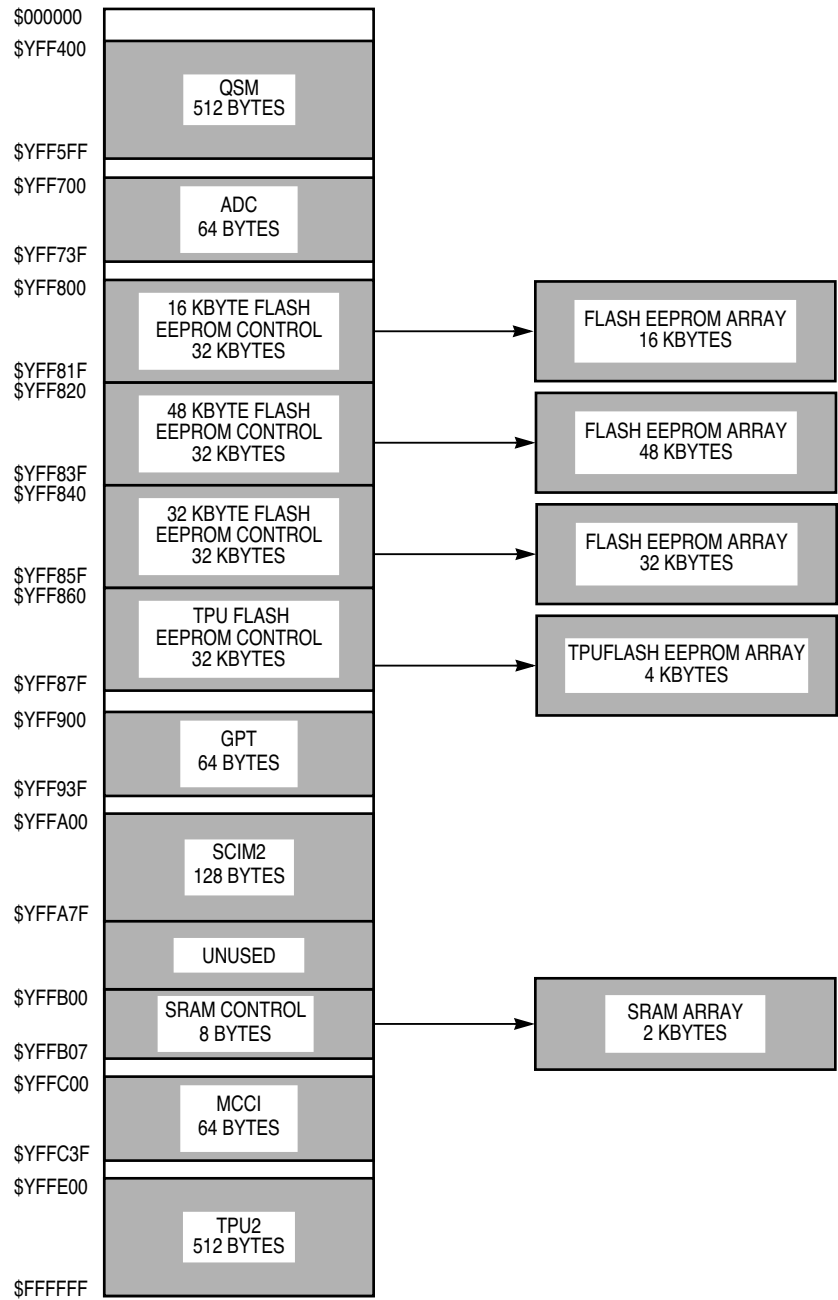
As discussed in 3.6 CPU16 Memory Mapping, CPU16 address lines [19:0] drive IMB address lines [19:0] and CPU16 address line 19 drives IMB address lines [23:20]. For this reason, addresses between \$080000 and \$F7FFFF will never be seen on the IMB. Setting MM to logic 0 on the MC68HC16R1 and MC68HC916R1 would map the control registers from \$7FF700 to \$7FFC3F where they would be inaccessible until a reset occurs.

As long as MM is set to logic 1, MCU control registers will be accessible, and the CPU16 need only generate 20-bit effective addresses to access them. Thus to access SCIMCR, which is mapped at IMB address \$YFFA00, the CPU16 must generate the 20-bit effective address \$FFA00.



M68HC16Y3 ADDRESS MAP

Figure 3-6 MC68HC16Y3 Address Map



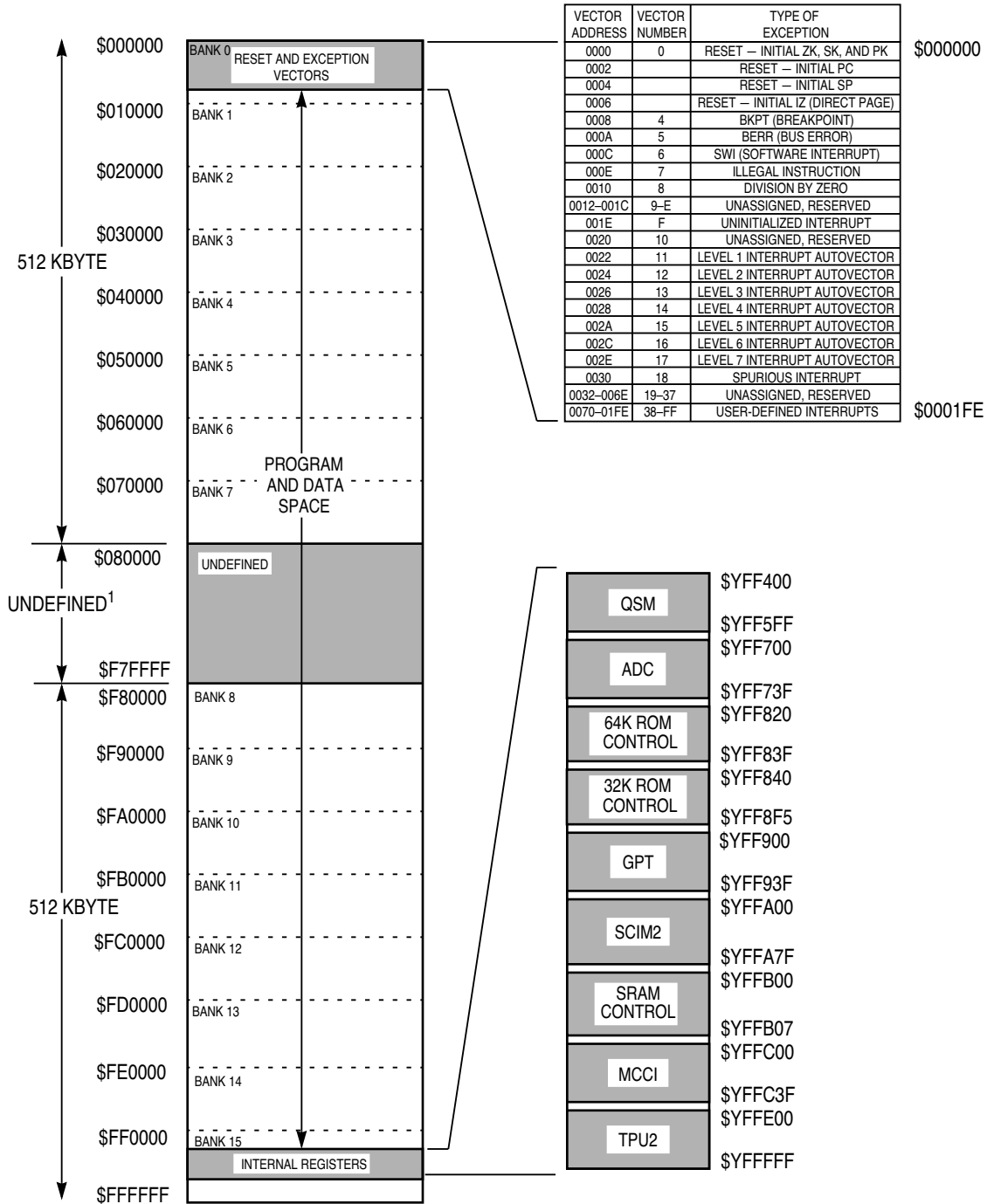
M68HC916Y3 ADDRESS MAP

Figure 3-7 MC68HC916Y3 Address Map

3.8 Address Space Maps

Figures 3-8 and **3-9** show CPU16 address space for the MC68HC16Y3 MCU. **Figures 3-10** and **3-11** show CPU16 address space for the MC68HC916Y3 MCU. Address space can be split into physically distinct program and data spaces by decoding the MCU function code outputs. **Figures 3-8** and **3-10** show the memory map of a system that has combined program and data spaces. **Figures 3-9** and **3-11** show the memory map when MCU function code outputs are decoded.

Reset and exception vectors are mapped into bank 0 and cannot be relocated. The CPU16 program counter, stack pointer, and Z index register can be initialized to any address in memory, but exception vectors are limited to 16-bit addresses. To access locations outside of bank 0 during exception handler routines (including interrupt exceptions), a jump table must be used. Refer to SECTION 4 CENTRAL PROCESSOR UNIT for more information concerning extended addressing and exception processing. Refer to SECTION 5 SINGLE-CHIP INTEGRATION MODULE 2 for more information concerning function codes, address space types, resets, and interrupts.



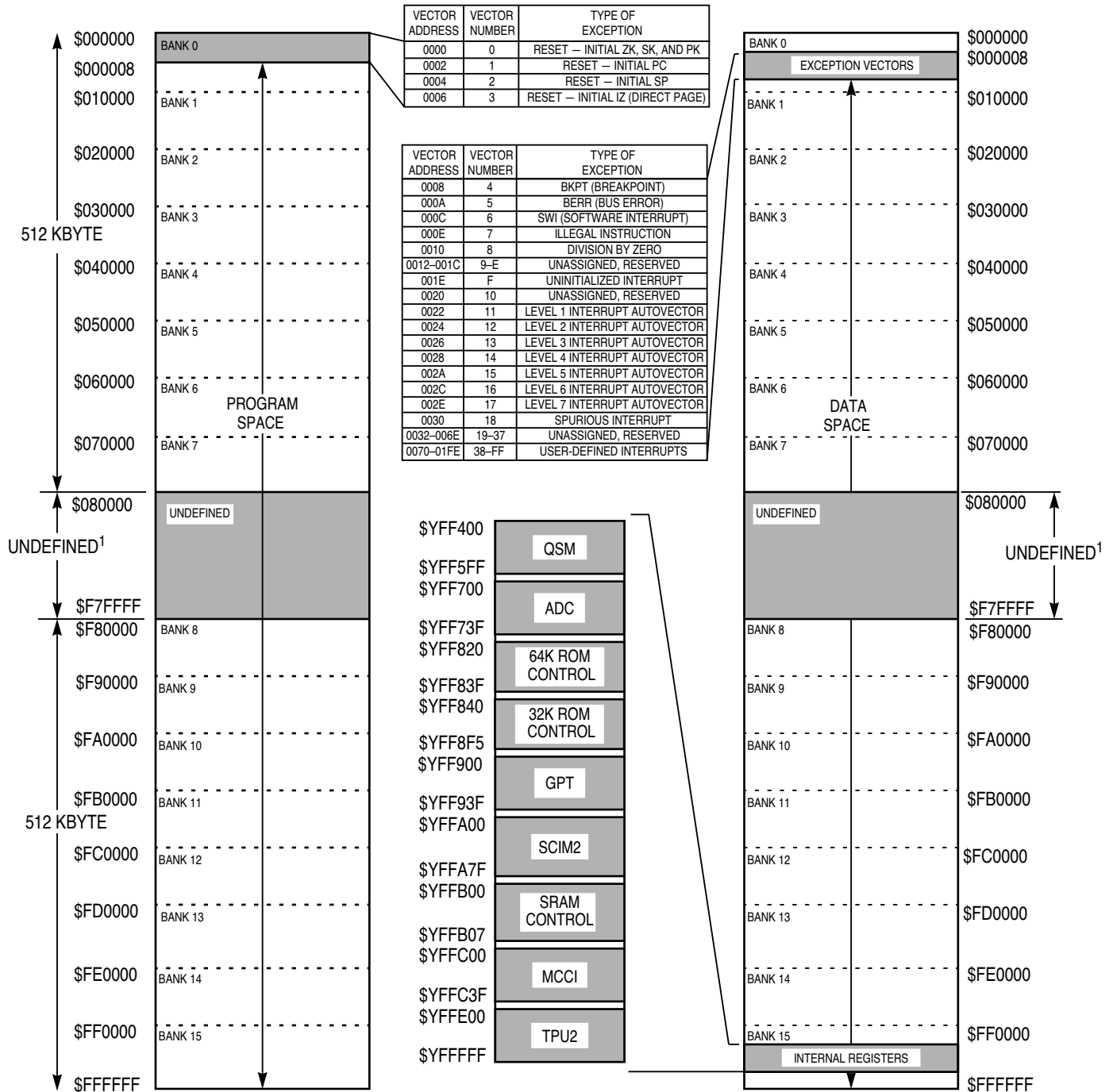
NOTE:
 1. THE ADDRESSES DISPLAYED IN THIS MEMORY MAP ARE THE FULL 24-BIT IMB ADDRESSES. THE CPU16 ADDRESS BUS IS 20 BITS WIDE, AND CPU16 ADDRESS LINE 19 DRIVES IMB ADDRESS LINES [23:20]. THE BLOCK OF ADDRESSES FROM \$080000 TO \$F7FFFF MARKED AS UNDEFINED WILL NEVER APPEAR ON THE IMB. MEMORY BANKS 0 TO 15 APPEAR FULLY CONTIGUOUS IN THE CPU16'S FLAT 20-BIT ADDRESS SPACE. THE CPU16 NEED ONLY GENERATE A 20-BIT EFFECTIVE ADDRESS TO ACCESS ANY LOCATION IN THIS RANGE.

16Y3 MEM MAP (C)

Figure 3-8 MC68HC16Y3 Combined Program and Data Space Map

Freescale Semiconductor, Inc.

Freescale Semiconductor, Inc.

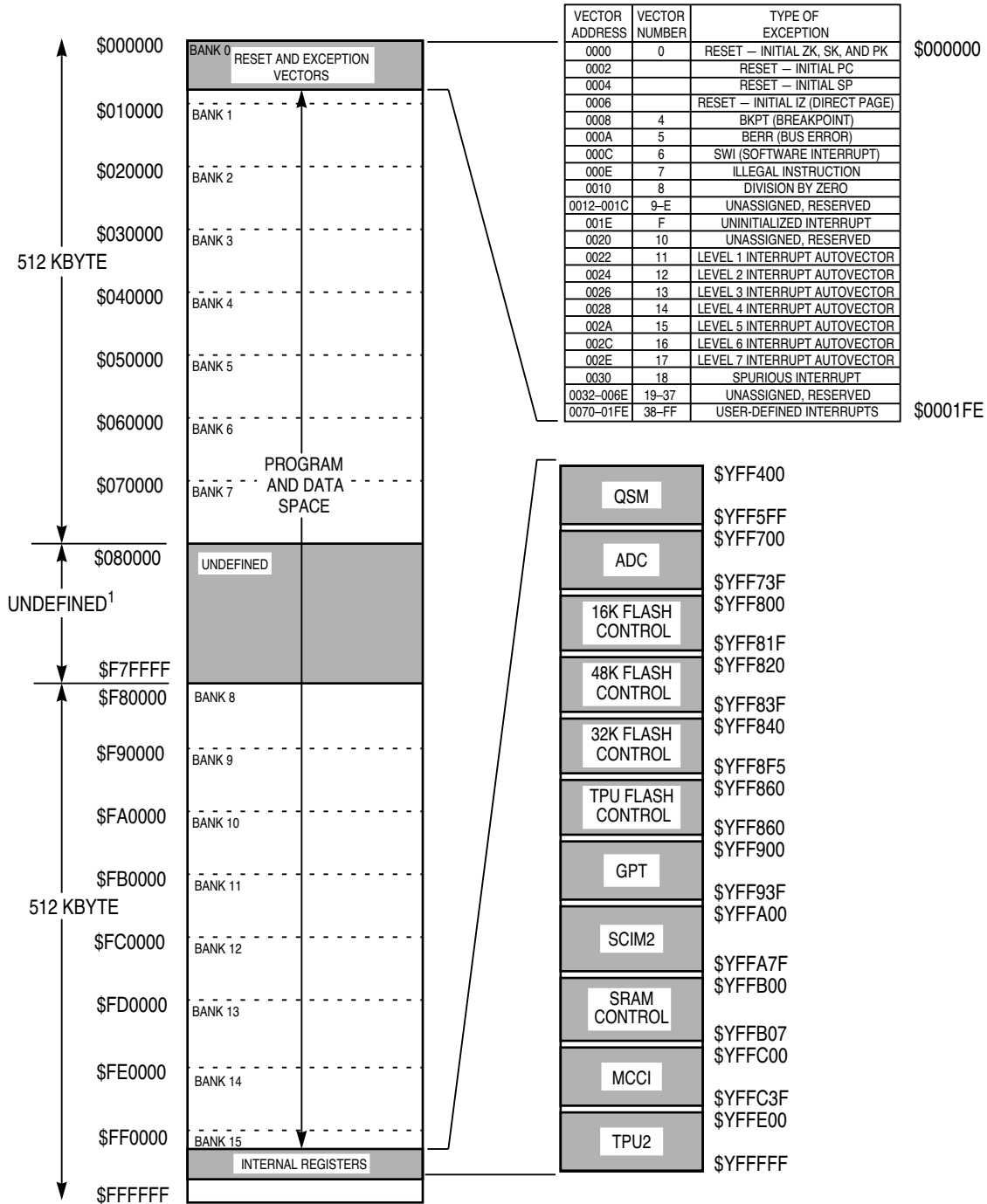


NOTE:

1. THE ADDRESSES DISPLAYED IN THIS MEMORY MAP ARE THE FULL 24-BIT IMB ADDRESSES. THE CPU16 ADDRESS BUS IS 20 BITS WIDE, AND CPU16 ADDRESS LINE 19 DRIVES IMB ADDRESS LINES [23:20]. THE BLOCK OF ADDRESSES FROM \$080000 TO \$F7FFFF MARKED AS UNDEFINED WILL NEVER APPEAR ON THE IMB. MEMORY BANKS 0 TO 15 APPEAR FULLY CONTIGUOUS IN THE CPU16'S FLAT 20-BIT ADDRESS SPACE. THE CPU16 NEED ONLY GENERATE A 20-BIT EFFECTIVE ADDRESS TO ACCESS ANY LOCATION IN THIS RANGE.

16Y3 MEM MAP (S)

Figure 3-9 MC68HC16Y3 Separate Program and Data Space Map

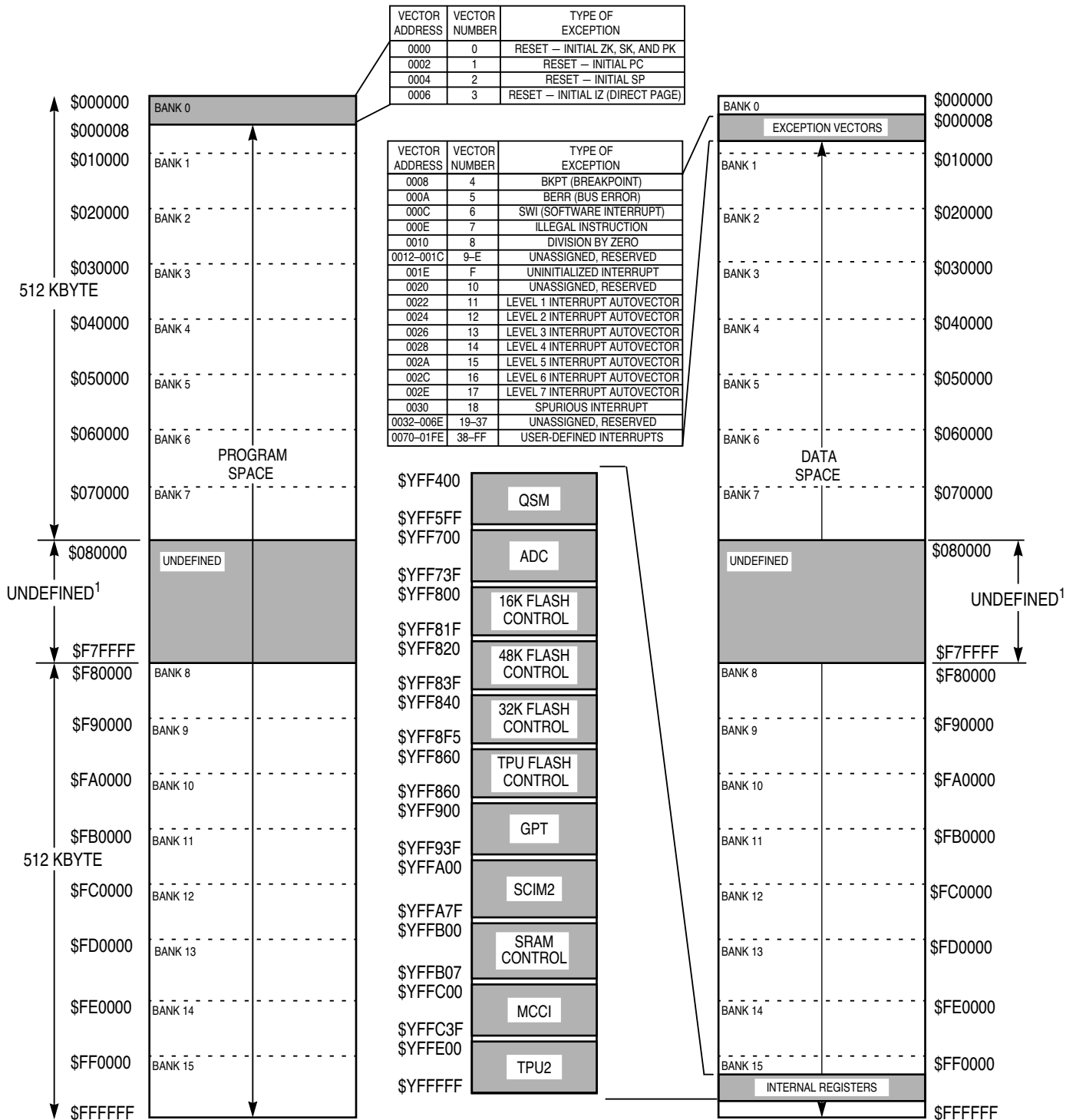


NOTE:

1. THE ADDRESSES DISPLAYED IN THIS MEMORY MAP ARE THE FULL 24-BIT IMB ADDRESSES. THE CPU16 ADDRESS BUS IS 20 BITS WIDE, AND CPU16 ADDRESS LINE 19 DRIVES IMB ADDRESS LINES [23:20]. THE BLOCK OF ADDRESSES FROM \$080000 TO \$F7FFFF MARKED AS UNDEFINED WILL NEVER APPEAR ON THE IMB. MEMORY BANKS 0 TO 15 APPEAR FULLY CONTIGUOUS IN THE CPU16'S FLAT 20-BIT ADDRESS SPACE. THE CPU16 NEED ONLY GENERATE A 20-BIT EFFECTIVE ADDRESS TO ACCESS ANY LOCATION IN THIS RANGE.

916Y3 MEM MAP (C)

Figure 3-10 MC68HC916Y3 Combined Program and Data Space Map



NOTE:
 1. THE ADDRESSES DISPLAYED IN THIS MEMORY MAP ARE THE FULL 24-BIT IMB ADDRESSES. THE CPU16 ADDRESS BUS IS 20 BITS WIDE, AND CPU16 ADDRESS LINE 19 DRIVES IMB ADDRESS LINES [23:20]. THE BLOCK OF ADDRESSES FROM \$080000 TO \$F7FFFF MARKED AS UNDEFINED WILL NEVER APPEAR ON THE IMB. MEMORY BANKS 0 TO 15 APPEAR FULLY CONTIGUOUS IN THE CPU16'S FLAT 20-BIT ADDRESS SPACE. THE CPU16 NEED ONLY GENERATE A 20-BIT EFFECTIVE ADDRESS TO ACCESS ANY LOCATION IN THIS RANGE.

916Y3 MEM MAP (S)

Figure 3-11 MC68HC916Y3 Separate Program and Data Space Map

SECTION 4 CENTRAL PROCESSOR UNIT

This section is an overview of the central processor unit (CPU16). For detailed information, refer to the *CPU16 Reference Manual (CPU16RM/AD)*.

4.1 General

The CPU16 provides compatibility with the M68HC11 CPU and also provides additional capabilities associated with 16- and 32-bit data sizes, 20-bit addressing, and digital signal processing. CPU16 registers are an integral part of the CPU and are not addressed as memory locations.

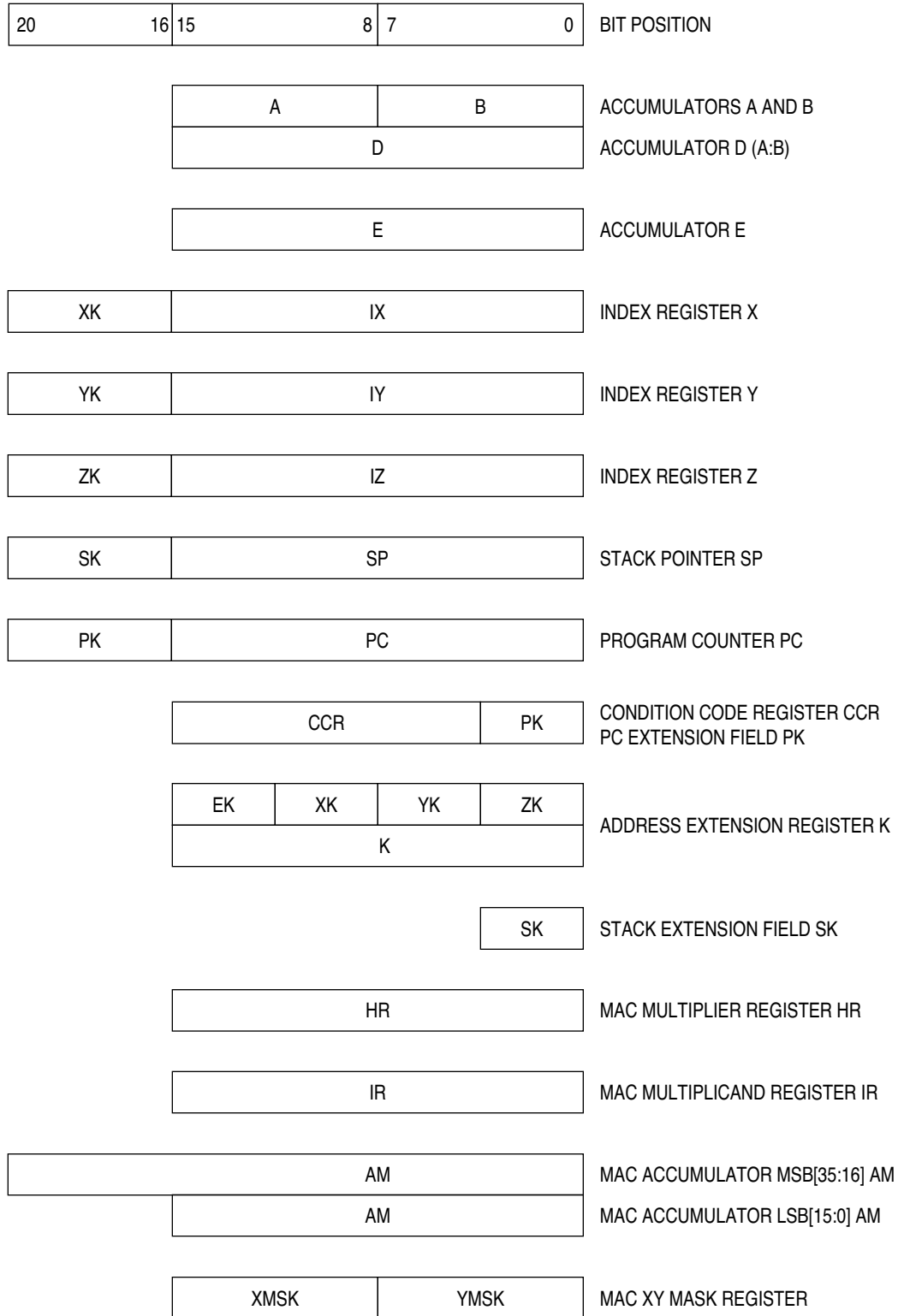
The CPU16 treats all peripheral, I/O, and memory locations as parts of a linear 1 Megabyte address space. There are no special instructions for I/O that are separate from instructions for addressing memory. Address space is made up of sixteen 64-Kbyte banks. Specialized bank addressing techniques and support registers provide transparent access across bank boundaries.

The CPU16 interacts with external devices and with other modules within the microcontroller via a standardized bus and bus interface. There are bus protocols used for memory and peripheral accesses, as well as for managing a hierarchy of interrupt priorities.

4.2 Register Model

Figure 4-1 shows the CPU16 register model. Refer to the paragraphs that follow for a detailed description of each register.

Freescale Semiconductor, Inc.



CPU16 REGISTER MODEL

Figure 4-1 CPU16 Register Model

4.2.1 Accumulators

The CPU16 has two 8-bit accumulators (A and B) and one 16-bit accumulator (E). In addition, accumulators A and B can be concatenated into a second 16-bit double accumulator (D).

Accumulators A, B, and D are general-purpose registers that hold operands and results during mathematical and data manipulation operations.

Accumulator E, which can be used in the same way as accumulator D, also extends CPU16 capabilities. It allows more data to be held within the CPU16 during operations, simplifies 32-bit arithmetic and digital signal processing, and provides a practical 16-bit accumulator offset indexed addressing mode.

4.2.2 Index Registers

The CPU16 has three 16-bit index registers (IX, IY, and IZ). Each index register has an associated 4-bit extension field (XK, YK, and ZK).

Concatenated registers and extension fields provide 20-bit indexed addressing and support data structure functions anywhere in the CPU16 address space.

IX and IY can perform the same operations as M68HC11 registers of the same names, but the CPU16 instruction set provides additional indexed operations.

IZ can perform the same operations as IX and IY. IZ also provides an additional indexed addressing capability that replaces M68HC11 direct addressing mode. Initial IZ and ZK extension field values are included in the RESET exception vector, so that ZK:IZ can be used as a direct page pointer out of reset.

4.2.3 Stack Pointer

The CPU16 stack pointer (SP) is 16 bits wide. An associated 4-bit extension field (SK) provides 20-bit stack addressing.

Stack implementation in the CPU16 is from high to low memory. The stack grows downward as it is filled. SK:SP are decremented each time data is pushed on the stack, and incremented each time data is pulled from the stack.

SK:SP point to the next available stack address rather than to the address of the latest stack entry. Although the stack pointer is normally incremented or decremented by word address, it is possible to push and pull byte-sized data. Setting the stack pointer to an odd value causes data misalignment, which reduces performance.

4.2.4 Program Counter

The CPU16 program counter (PC) is 16 bits wide. An associated 4-bit extension field (PK) provides 20-bit program addressing.

CPU16 instructions are fetched from even word boundaries. Address line 0 always has a value of zero during instruction fetches to ensure that instructions are fetched from word-aligned addresses.

4.2.5 Condition Code Register

The 16-bit condition code register is composed of two functional blocks. The eight MSB, which correspond to the CCR on the M68HC11, contain the low-power stop control bit and processor status flags. The eight LSB contain the interrupt priority field, the DSP saturation mode control bit, and the program counter address extension field.

Figure 4-2 shows the condition code register. Detailed descriptions of each status indicator and field in the register follow the figure.

| | | | | | | | | | | | | | | | |
|----|----|----|----|----|----|---|---|---------|---|---|----|---------|---|---|---|
| 15 | 14 | 13 | 12 | 11 | 10 | 9 | 8 | 7 | 6 | 5 | 4 | 3 | 2 | 1 | 0 |
| S | MV | H | EV | N | Z | V | C | IP[2:0] | | | SM | PK[3:0] | | | |

Figure 4-2 Condition Code Register

S — STOP Enable

- 0 = Stop clock when LPSTOP instruction is executed
- 1 = Perform NOP when LPSTOP instruction is executed

MV — Accumulator M overflow flag

MV is set when an overflow into AM35 has occurred.

H — Half Carry Flag

H is set when a carry from A3 or B3 occurs during BCD addition.

EV — Accumulator M Extension Overflow Flag

EV is set when an overflow into AM31 has occurred.

N — Negative Flag

N is set under the following conditions:

- When the MSB is set in the operand of a read operation.
- When the MSB is set in the result of a logic or arithmetic operation.

Z — Zero Flag

Z is set under the following conditions:

- When all bits are zero in the operand of a read operation.
- When all bits are zero in the result of a logic or arithmetic operation.

V — Overflow Flag

V is set when a two's complement overflow occurs as the result of an operation.

C — Carry Flag

C is set when a carry or borrow occurs during an arithmetic operation. This flag is also used during shift and rotate to facilitate multiple word operations.

IP[2:0] — Interrupt Priority Field

The priority value in this field (0 to 7) is used to mask interrupts.

SM — Saturate Mode Bit

When SM is set and either EV or MV is set, data read from AM using TMER or TMET is given maximum positive or negative value, depending on the state of the AM sign bit before overflow.

PK[3:0] — Program Counter Address Extension Field

This field is concatenated with the program counter to form a 20-bit address.

4.2.6 Address Extension Register and Address Extension Fields

There are six 4-bit address extension fields. EK, XK, YK, and ZK are contained by the address extension register (K), PK is part of the CCR, and SK stands alone.

Extension fields are the bank portions of 20-bit concatenated bank:byte addresses used in the CPU16 linear memory management scheme.

All extension fields except EK correspond directly to a register. XK, YK, and ZK extend registers IX, IY, and IZ. PK extends the PC; and SK extends the SP. EK holds the four MSB of the 20-bit address used by the extended addressing mode.

4.2.7 Multiply and Accumulate Registers

The multiply and accumulate (MAC) registers are part of a CPU submodule that performs repetitive signed fractional multiplication and stores the cumulative result. These operations are part of control-oriented digital signal processing.

There are four MAC registers. Register H contains the 16-bit signed fractional multiplier. Register I contains the 16-bit signed fractional multiplicand. Accumulator M is a specialized 36-bit product accumulation register. XMSK and YMSK contain 8-bit mask values used in modulo addressing.

The CPU16 has a special subset of signal processing instructions that manipulate the MAC registers and perform signal processing calculations.

4.3 Memory Management

The CPU16 provides a 1-Mbyte address space. There are 16 banks within the address space. Each bank is made up of 64 Kbytes addressed from \$0000 to \$FFFF. Banks are selected by means of the address extension fields associated with individual CPU16 registers.

In addition, address space can be split into discrete 1-Mbyte program and data spaces by externally decoding the MCU's function code outputs. When this technique is used, instruction fetches and reset vector fetches access program space, while exception vector fetches (other than for reset), data accesses, and stack accesses are made in data space.

4.3.1 Address Extension

All CPU16 resources used to generate addresses are effectively 20 bits wide. These resources include the index registers, program counter, and stack pointer. All addressing modes use 20-bit addresses.

Twenty-bit addresses are formed from a 16-bit byte address generated by an individual CPU16 register and a 4-bit address extension contained in an associated extension field. The byte address corresponds to ADDR[15:0] and the address extension corresponds to ADDR[19:16].

4.3.2 Extension Fields

Each of the six address extension fields is used for a different type of access. All but EK are associated with particular CPU16 registers. There are several ways to manipulate extension fields and the address map. Refer to the *CPU16 Reference Manual* (CPU16RM/AD) for detailed information.

4.4 Data Types

The CPU16 uses the following types of data:

- Bits
- 4-bit signed integers
- 8-bit (byte) signed and unsigned integers
- 8-bit, 2-digit binary coded decimal (BCD) numbers
- 16-bit (word) signed and unsigned integers
- 32-bit (long word) signed and unsigned integers
- 16-bit signed fractions
- 32-bit signed fractions
- 36-bit signed fixed-point numbers
- 20-bit effective addresses

There are 8 bits in a byte and 16 bits in a word. Bit set and clear instructions use both byte and word operands. Bit test instructions use byte operands.

Negative integers are represented in two's complement form. 4-bit signed integers, packed two to a byte, are used only as X and Y offsets in MAC and RMAC operations. 32-bit integers are used only by extended multiply and divide instructions, and by the associated LDED and STED instructions.

BCD numbers are packed, two digits per byte. BCD operations use byte operands.

Signed 16-bit fractions are used by the fractional multiplication instructions, and as multiplicand and multiplier operands in the MAC unit. Bit 15 is the sign bit, and there is an implied radix point between bits 15 and 14. There are 15 bits of magnitude. The range of values is -1 (\$8000) to $1 - 2^{-15}$ (\$7FFF).

Signed 32-bit fractions are used only by the fractional multiplication and division instructions. Bit 31 is the sign bit. An implied radix point lies between bits 31 and 30. There are 31 bits of magnitude. The range of values is -1 (\$80000000) to $1 - 2^{-31}$ (\$7FFFFFFF).

Freescale Semiconductor, Inc.

Signed 36-bit fixed-point numbers are used only by the MAC unit. Bit 35 is the sign bit. Bits [34:31] are sign extension bits. There is an implied radix point between bits 31 and 30. There are 31 bits of magnitude, but use of the extension bits allows representation of numbers in the range -16 (\$80000000) to 15.999969482 (\$7FFFFFFF).

4.5 Memory Organization

Both program and data memory are divided into sixteen 64-Kbyte banks. Addressing is linear. A 20-bit extended address can access any byte location in the appropriate address space.

A word is composed of two consecutive bytes. A word address is normally an even byte address. Byte 0 of a word has a lower 16-bit address than byte 1. Long words and 32-bit signed fractions consist of two consecutive words, and are normally accessed at the address of byte 0 in word 0.

Instruction fetches always access word addresses. Word operands are normally accessed at even byte addresses, but can be accessed at odd byte addresses, with a substantial performance penalty.

To permit compatibility with the M68HC11, misaligned word transfers and misaligned stack accesses are allowed. Transferring a misaligned word requires two successive byte transfer operations.

Figure 4-3 shows how each CPU16 data type is organized in memory. Consecutive even addresses show size and alignment.

Freescale Semiconductor, Inc.

| Address | Type | | | | | | | | | | | | | | | | | | | |
|---------|------------------------------|-----------------|--------|--------|--------|--------|----------|-------|-------|------------------------------|-------|----------|-------|-------|-------|-------|----------|--|--|--|
| \$0000 | BIT 15 | BIT 14 | BIT 13 | BIT 12 | BIT 11 | BIT 10 | BIT 9 | BIT 8 | BIT 7 | BIT 6 | BIT 5 | BIT 4 | BIT 3 | BIT 2 | BIT 1 | BIT 0 | | | | |
| \$0002 | BYTE0 | | | | | | | | BYTE1 | | | | | | | | | | | |
| \$0004 | ± | X OFFSET | | | | ± | Y OFFSET | | | | ± | X OFFSET | | | | ± | Y OFFSET | | | |
| \$0006 | BCD1 | | | | BCD0 | | | | BCD1 | | | | BCD0 | | | | | | | |
| \$0008 | WORD 0 | | | | | | | | | | | | | | | | | | | |
| \$000A | WORD1 | | | | | | | | | | | | | | | | | | | |
| \$000C | MSW LONG WORD 0 | | | | | | | | | | | | | | | | | | | |
| \$000E | LSW LONG WORD 0 | | | | | | | | | | | | | | | | | | | |
| \$0010 | MSW LONG WORD 1 | | | | | | | | | | | | | | | | | | | |
| \$0012 | LSW LONG WORD 1 | | | | | | | | | | | | | | | | | | | |
| \$0014 | ± | ← (Radix Point) | | | | | | | | 16-BIT SIGNED FRACTION 0 | | | | | | | | | | |
| \$0016 | ± | ← (Radix Point) | | | | | | | | 16-BIT SIGNED FRACTION 1 | | | | | | | | | | |
| \$0018 | ± | ← (Radix Point) | | | | | | | | MSW 32-BIT SIGNED FRACTION 0 | | | | | | | | | | |
| \$001A | LSW 32-BIT SIGNED FRACTION 0 | | | | | | | | | | | | | | | 0 | | | | |
| \$001C | ± | ← (Radix Point) | | | | | | | | MSW 32-BIT SIGNED FRACTION 1 | | | | | | | | | | |
| \$001E | LSW 32-BIT SIGNED FRACTION 1 | | | | | | | | | | | | | | | 0 | | | | |

| MAC Data Types | | | | | | | | | | | | | | | | | | | |
|----------------------------|----|---|---|----|-----------------|--|--|--|--|--|--|-----------------|----------------------------|--|--|------------------------|--|--|--|
| 35 | 32 | | | | 31 | | | | | | | | 16 | | | | | | |
| ± | « | « | « | « | ← (Radix Point) | | | | | | | | MSW 32-BIT SIGNED FRACTION | | | | | | |
| | | | | 15 | | | | | | | | 0 | | | | | | | |
| LSW 32-BIT SIGNED FRACTION | | | | | | | | | | | | | | | | | | | |
| | | | | ± | | | | | | | | ← (Radix Point) | | | | 16-BIT SIGNED FRACTION | | | |

| Address Data Type | | | | | | | | | | | | | | | |
|-------------------------|--|--|--|----|--|--|--|---------------------|--|--|--|---|--|--|--|
| 19 | | | | 16 | | | | 15 | | | | 0 | | | |
| 4-Bit Address Extension | | | | | | | | 16-Bit Byte Address | | | | | | | |

Figure 4-3 Data Types and Memory Organization

4.6 Addressing Modes

The CPU16 uses nine types of addressing. There are one or more addressing modes within each type. **Table 4-1** shows the addressing modes.

Table 4-1 Addressing Modes

| Mode | Mnemonic | Description |
|---------------------|----------|---|
| Accumulator Offset | E,X | Index register X with accumulator E offset |
| | E,Y | Index register Y with accumulator E offset |
| | E,Z | Index register Z with accumulator E offset |
| Extended | EXT | Extended |
| | EXT20 | 20-bit extended |
| Immediate | IMM8 | 8-bit immediate |
| | IMM16 | 16-bit immediate |
| Indexed 8-Bit | IND8, X | Index register X with unsigned 8-bit offset |
| | IND8, Y | Index register Y with unsigned 8-bit offset |
| | IND8, Z | Index register Z with unsigned 8-bit offset |
| Indexed 16-Bit | IND16, X | Index register X with signed 16-bit offset |
| | IND16, Y | Index register Y with signed 16-bit offset |
| | IND16, Z | Index register Z with signed 16-bit offset |
| Indexed 20-Bit | IND20, X | Index register X with signed 20-bit offset |
| | IND20, Y | Index register Y with signed 20-bit offset |
| | IND20, Z | Index register Z with signed 20-bit offset |
| Inherent | INH | Inherent |
| Post-Modified Index | IXP | Signed 8-bit offset added to index register X after effective address is used |
| Relative | REL8 | 8-bit relative |
| | REL16 | 16-bit relative |

All modes generate ADDR[15:0]. This address is combined with ADDR[19:16] from an operand or an extension field to form a 20-bit effective address.

NOTE

Access across 64-Kbyte address boundaries is transparent. ADDR[19:16] of the effective address are changed to make an access across a bank boundary. Extension field values will not change as a result of effective address computation.

4.6.1 Immediate Addressing Modes

In the immediate modes, an argument is contained in a byte or word immediately following the instruction. For IMM8 and IMM16 modes, the effective address is the address of the argument.

There are three specialized forms of IMM8 addressing.

- The AIS, AIX, AIY, AIZ, ADDD, and ADDE instructions decrease execution time by sign-extending the 8-bit immediate operand to 16 bits, then adding it to an appropriate register.
- The MAC and RMAC instructions use an 8-bit immediate operand to specify two signed 4-bit index register offsets.

- The PSHM and PULM instructions use an 8-bit immediate mask operand to indicate which registers must be pushed to or pulled from the stack.

4.6.2 Extended Addressing Modes

Regular extended mode instructions contain ADDR[15:0] in the word following the opcode. The effective address is formed by concatenating the EK field and the 16-bit byte address. EXT20 mode is used only by the JMP and JSR instructions. These instructions contain a 20-bit effective address that is zero-extended to 24 bits to give the instruction an even number of bytes.

4.6.3 Indexed Addressing Modes

In the indexed modes, registers IX, IY, and IZ, together with their associated extension fields, are used to calculate the effective address.

For 8-bit indexed modes an 8-bit unsigned offset contained in the instruction is added to the value contained in an index register and its extension field.

For 16-bit modes, a 16-bit signed offset contained in the instruction is added to the value contained in an index register and its extension field.

For 20-bit modes, a 20-bit signed offset (zero-extended to 24 bits) is added to the value contained in an index register. These modes are used for JMP and JSR instructions only.

4.6.4 Inherent Addressing Mode

Inherent mode instructions use information directly available to the processor to determine the effective address. Operands, if any, are system resources and are thus not fetched from memory.

4.6.5 Accumulator Offset Addressing Mode

Accumulator offset modes form an effective address by sign-extending the content of accumulator E to 20 bits, then adding the result to an index register and its associated extension field. This mode allows use of an index register and an accumulator within a loop without corrupting accumulator D.

4.6.6 Relative Addressing Modes

Relative modes are used for branch and long branch instructions. If a branch condition is satisfied, a byte or word signed two's complement offset is added to the concatenated PK field and program counter. The new PK:PC value is the effective address.

4.6.7 Post-Modified Index Addressing Mode

Post-modified index mode is used by the MOVW and MOVW instructions. A signed 8-bit offset is added to index register X after the effective address formed by XK : IX is used.

4.6.8 Use of CPU16 Indexed Mode to Replace M68HC11 Direct Mode

In M68HC11 systems, the direct addressing mode can be used to perform rapid accesses to RAM or I/O mapped from \$0000 to \$00FF. The CPU16 uses the first 512 bytes of Bank 0 for exception vectors. To provide an enhanced replacement for the MC68HC11's direct addressing mode, the ZK field and index register Z have been assigned reset initialization vectors. By resetting the ZK field to a chosen page and using indexed mode addressing, a programmer can access useful data structures anywhere in the address map.

4.7 Instruction Set

The CPU16 instruction set is based on the M68HC11 instruction set, but the opcode map has been rearranged to maximize performance with a 16-bit data bus. Most M68HC11 code can run on the CPU16 following reassembly. The user must take into account changed instruction times, the interrupt mask, and the changed interrupt stack frame (Refer to *Motorola Programming Note M68HC16PN01/D, Transporting M68HC11 Code to M68HC16 Devices*, for more information).

4.7.1 Instruction Set Summary

Table 4-2 is a quick reference to the entire CPU16 instruction set. Refer to the *CPU16 Reference Manual (CPU16RM/AD)* for detailed information about each instruction, assembler syntax, and condition code evaluation. **Table 4-3** provides a key to the table nomenclature.

Table 4-2 Instruction Set Summary

| Mnemonic | Operation | Description | Address | Instruction | | | Condition Codes | | | | | | | |
|----------|---------------------|---|----------|-------------|--------|---------|-----------------|---|----|---|----|---|---|---|
| | | | | Mode | Opcode | Operand | Cycles | S | MV | H | EV | N | Z | V |
| ABA | Add B to A | $(A) + (B) \Rightarrow A$ | INH | 370B | — | 2 | — | — | Δ | — | Δ | Δ | Δ | Δ |
| ABX | Add B to IX | $(XK : IX) + (000 : B) \Rightarrow XK : IX$ | INH | 374F | — | 2 | — | — | — | — | — | — | — | — |
| ABY | Add B to IY | $(YK : IY) + (000 : B) \Rightarrow YK : IY$ | INH | 375F | — | 2 | — | — | — | — | — | — | — | — |
| ABZ | Add B to IZ | $(ZK : IZ) + (000 : B) \Rightarrow ZK : IZ$ | INH | 376F | — | 2 | — | — | — | — | — | — | — | — |
| ACE | Add E to AM | $(AM[31:16]) + (E) \Rightarrow AM$ | INH | 3722 | — | 2 | — | Δ | — | Δ | — | — | — | — |
| ACED | Add E : D to AM | $(AM) + (E : D) \Rightarrow AM$ | INH | 3723 | — | 4 | — | Δ | — | Δ | — | — | — | — |
| ADCA | Add with Carry to A | $(A) + (M) + C \Rightarrow A$ | IND8, X | 43 | ff | 6 | — | — | Δ | — | Δ | Δ | Δ | Δ |
| | | | IND8, Y | 53 | ff | 6 | | | | | | | | |
| | | | IND8, Z | 63 | ff | 6 | | | | | | | | |
| | | | IMM8 | 73 | ii | 2 | | | | | | | | |
| | | | IND16, X | 1743 | gggg | 6 | | | | | | | | |
| | | | IND16, Y | 1753 | gggg | 6 | | | | | | | | |
| | | | IND16, Z | 1763 | gggg | 6 | | | | | | | | |
| | | | EXT | 1773 | hh ll | 6 | | | | | | | | |
| | | | E, X | 2743 | — | 6 | | | | | | | | |
| | | | E, Y | 2753 | — | 6 | | | | | | | | |
| E, Z | 2763 | — | 6 | | | | | | | | | | | |
| ADCB | Add with Carry to B | $(B) + (M) + C \Rightarrow B$ | IND8, X | C3 | ff | 6 | — | — | Δ | — | Δ | Δ | Δ | Δ |
| | | | IND8, Y | D3 | ff | 6 | | | | | | | | |
| | | | IND8, Z | E3 | ff | 6 | | | | | | | | |
| | | | IMM8 | F3 | ii | 2 | | | | | | | | |
| | | | IND16, X | 17C3 | gggg | 6 | | | | | | | | |
| | | | IND16, Y | 17D3 | gggg | 6 | | | | | | | | |
| | | | IND16, Z | 17E3 | gggg | 6 | | | | | | | | |
| | | | EXT | 17F3 | hh ll | 6 | | | | | | | | |
| | | | E, X | 27C3 | — | 6 | | | | | | | | |
| | | | E, Y | 27D3 | — | 6 | | | | | | | | |
| E, Z | 27E3 | — | 6 | | | | | | | | | | | |
| ADCD | Add with Carry to D | $(D) + (M : M + 1) + C \Rightarrow D$ | IND8, X | 83 | ff | 6 | — | — | — | — | Δ | Δ | Δ | Δ |
| | | | IND8, Y | 93 | ff | 6 | | | | | | | | |
| | | | IND8, Z | A3 | ff | 6 | | | | | | | | |
| | | | IMM16 | 37B3 | jj kk | 4 | | | | | | | | |
| | | | IND16, X | 37C3 | gggg | 6 | | | | | | | | |
| | | | IND16, Y | 37D3 | gggg | 6 | | | | | | | | |
| | | | IND16, Z | 37E3 | gggg | 6 | | | | | | | | |
| | | | EXT | 37F3 | hh ll | 6 | | | | | | | | |
| | | | E, X | 2783 | — | 6 | | | | | | | | |
| | | | E, Y | 2793 | — | 6 | | | | | | | | |
| E, Z | 27A3 | — | 6 | | | | | | | | | | | |
| ADCE | Add with Carry to E | $(E) + (M : M + 1) + C \Rightarrow E$ | IMM16 | 3733 | jj kk | 4 | — | — | — | — | Δ | Δ | Δ | Δ |
| | | | IND16, X | 3743 | gggg | 6 | | | | | | | | |
| | | | IND16, Y | 3753 | gggg | 6 | | | | | | | | |
| | | | IND16, Z | 3763 | gggg | 6 | | | | | | | | |
| | | | EXT | 3773 | hh ll | 6 | | | | | | | | |
| ADDA | Add to A | $(A) + (M) \Rightarrow A$ | IND8, X | 41 | ff | 6 | — | — | Δ | — | Δ | Δ | Δ | Δ |
| | | | IND8, Y | 51 | ff | 6 | | | | | | | | |
| | | | IND8, Z | 61 | ff | 6 | | | | | | | | |
| | | | IMM8 | 71 | ii | 2 | | | | | | | | |
| | | | IND16, X | 1741 | gggg | 6 | | | | | | | | |
| | | | IND16, Y | 1751 | gggg | 6 | | | | | | | | |
| | | | IND16, Z | 1761 | gggg | 6 | | | | | | | | |
| | | | EXT | 1771 | hh ll | 6 | | | | | | | | |
| | | | E, X | 2741 | — | 6 | | | | | | | | |
| | | | E, Y | 2751 | — | 6 | | | | | | | | |
| E, Z | 2761 | — | 6 | | | | | | | | | | | |

Freescale Semiconductor, Inc.

Freescale Semiconductor, Inc.

Table 4-2 Instruction Set Summary (Continued)

| Mnemonic | Operation | Description | Address | Instruction | | | Condition Codes | | | | | | | |
|----------|-------------------------------------|--|----------|-------------|--------|---------|-----------------|---|----|---|----|---|---|---|
| | | | | Mode | Opcode | Operand | Cycles | S | MV | H | EV | N | Z | V |
| ADDB | Add to B | $(B) + (M) \Rightarrow B$ | IND8, X | C1 | ff | 6 | — | — | Δ | — | Δ | Δ | Δ | Δ |
| | | | IND8, Y | D1 | ff | 6 | | | | | | | | |
| | | | IND8, Z | E1 | ff | 6 | | | | | | | | |
| | | | IMM8 | F1 | ii | 2 | | | | | | | | |
| | | | IND16, X | 17C1 | gggg | 6 | | | | | | | | |
| | | | IND16, Y | 17D1 | gggg | 6 | | | | | | | | |
| | | | IND16, Z | 17E1 | gggg | 6 | | | | | | | | |
| | | | EXT | 17F1 | hh ll | 6 | | | | | | | | |
| | | | E, X | 27C1 | — | 6 | | | | | | | | |
| | | | E, Y | 27D1 | — | 6 | | | | | | | | |
| | | | E, Z | 27E1 | — | 6 | | | | | | | | |
| ADDD | Add to D | $(D) + (M : M + 1) \Rightarrow D$ | IND8, X | 81 | ff | 6 | — | — | — | — | Δ | Δ | Δ | Δ |
| | | | IND8, Y | 91 | ff | 6 | | | | | | | | |
| | | | IND8, Z | A1 | ff | 6 | | | | | | | | |
| | | | IMM8 | FC | ii | 2 | | | | | | | | |
| | | | IMM16 | 37B1 | jj kk | 4 | | | | | | | | |
| | | | IND16, X | 37C1 | gggg | 6 | | | | | | | | |
| | | | IND16, Y | 37D1 | gggg | 6 | | | | | | | | |
| | | | IND16, Z | 37E1 | gggg | 6 | | | | | | | | |
| | | | EXT | 37F1 | hh ll | 6 | | | | | | | | |
| | | | E, X | 2781 | — | 6 | | | | | | | | |
| | | | E, Y | 2791 | — | 6 | | | | | | | | |
| E, Z | 27A1 | — | 6 | | | | | | | | | | | |
| ADDE | Add to E | $(E) + (M : M + 1) \Rightarrow E$ | IMM8 | 7C | ii | 2 | — | — | — | — | Δ | Δ | Δ | Δ |
| | | | IMM16 | 3731 | jj kk | 4 | | | | | | | | |
| | | | IND16, X | 3741 | gggg | 6 | | | | | | | | |
| | | | IND16, Y | 3751 | gggg | 6 | | | | | | | | |
| | | | IND16, Z | 3761 | gggg | 6 | | | | | | | | |
| EXT | 3771 | hh ll | 6 | | | | | | | | | | | |
| ADE | Add D to E | $(E) + (D) \Rightarrow E$ | INH | 2778 | — | 2 | — | — | — | — | Δ | Δ | Δ | Δ |
| ADX | Add D to IX | $(XK : IX) + (20 \ll D) \Rightarrow XK : IX$ | INH | 37CD | — | 2 | — | — | — | — | — | — | — | |
| ADY | Add D to IY | $(YK : IY) + (20 \ll D) \Rightarrow YK : IY$ | INH | 37DD | — | 2 | — | — | — | — | — | — | — | |
| ADZ | Add D to IZ | $(ZK : IZ) + (20 \ll D) \Rightarrow ZK : IZ$ | INH | 37ED | — | 2 | — | — | — | — | — | — | — | |
| AEX | Add E to IX | $(XK : IX) + (20 \ll E) \Rightarrow XK : IX$ | INH | 374D | — | 2 | — | — | — | — | — | — | — | |
| AEY | Add E to IY | $(YK : IY) + (20 \ll E) \Rightarrow YK : IY$ | INH | 375D | — | 2 | — | — | — | — | — | — | — | |
| AEZ | Add E to IZ | $(ZK : IZ) + (20 \ll E) \Rightarrow ZK : IZ$ | INH | 376D | — | 2 | — | — | — | — | — | — | — | |
| AIS | Add Immediate Data to Stack Pointer | $(SK : SP) + (20 \ll IMM) \Rightarrow SK : SP$ | IMM8 | 3F | ii | 2 | — | — | — | — | — | — | — | |
| | | | IMM16 | 373F | jj kk | 4 | | | | | | | | |
| AIX | Add Immediate Value to IX | $(XK : IX) + (20 \ll IMM) \Rightarrow XK : IX$ | IMM8 | 3C | ii | 2 | — | — | — | — | — | Δ | — | |
| | | | IMM16 | 373C | jj kk | 4 | | | | | | | | |
| AIY | Add Immediate Value to IY | $(YK : IY) + (20 \ll IMM) \Rightarrow YK : IY$ | IMM8 | 3D | ii | 2 | — | — | — | — | — | Δ | — | |
| | | | IMM16 | 373D | jj kk | 4 | | | | | | | | |
| AIZ | Add Immediate Value to IZ | $(ZK : IZ) + (20 \ll IMM) \Rightarrow ZK : IZ$ | IMM8 | 3E | ii | 2 | — | — | — | — | — | Δ | — | |
| | | | IMM16 | 373E | jj kk | 4 | | | | | | | | |
| AND A | AND A | $(A) \cdot (M) \Rightarrow A$ | IND8, X | 46 | ff | 6 | — | — | — | — | Δ | Δ | 0 | — |
| | | | IND8, Y | 56 | ff | 6 | | | | | | | | |
| | | | IND8, Z | 66 | ff | 6 | | | | | | | | |
| | | | IMM8 | 76 | ii | 2 | | | | | | | | |
| | | | IND16, X | 1746 | gggg | 6 | | | | | | | | |
| | | | IND16, Y | 1756 | gggg | 6 | | | | | | | | |
| | | | IND16, Z | 1766 | gggg | 6 | | | | | | | | |
| | | | EXT | 1776 | hh ll | 6 | | | | | | | | |
| | | | E, X | 2746 | — | 6 | | | | | | | | |
| | | | E, Y | 2756 | — | 6 | | | | | | | | |
| | | | E, Z | 2766 | — | 6 | | | | | | | | |

Table 4-2 Instruction Set Summary (Continued)

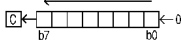
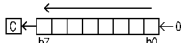
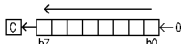
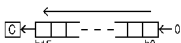
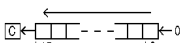
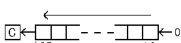
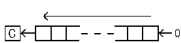
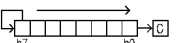
| Mnemonic | Operation | Description | Address | Instruction | | | Condition Codes | | | | | | | |
|-------------------|----------------------------|---|----------|-------------|--------|---------|-----------------|---|----|---|----|---|---|---|
| | | | | Mode | Opcode | Operand | Cycles | S | MV | H | EV | N | Z | V |
| ANDB | AND B | $(B) \cdot (M) \Rightarrow B$ | IND8, X | C6 | ff | 6 | — | — | — | — | Δ | Δ | 0 | — |
| | | | IND8, Y | D6 | ff | 6 | | | | | | | | |
| | | | IND8, Z | E6 | ff | 6 | | | | | | | | |
| | | | IMM8 | F6 | ii | 2 | | | | | | | | |
| | | | IND16, X | 17C6 | gggg | 6 | | | | | | | | |
| | | | IND16, Y | 17D6 | gggg | 6 | | | | | | | | |
| | | | IND16, Z | 17E6 | gggg | 6 | | | | | | | | |
| | | | EXT | 17F6 | hh ll | 6 | | | | | | | | |
| | | | E, X | 27C6 | — | 6 | | | | | | | | |
| | | | E, Y | 27D6 | — | 6 | | | | | | | | |
| E, Z | 27E6 | — | 6 | | | | | | | | | | | |
| ANDD | AND D | $(D) \cdot (M : M + 1) \Rightarrow D$ | IND8, X | 86 | ff | 6 | — | — | — | — | Δ | Δ | 0 | — |
| | | | IND8, Y | 96 | ff | 6 | | | | | | | | |
| | | | IND8, Z | A6 | ff | 6 | | | | | | | | |
| | | | IMM16 | 37B6 | jj kk | 4 | | | | | | | | |
| | | | IND16, X | 37C6 | gggg | 6 | | | | | | | | |
| | | | IND16, Y | 37D6 | gggg | 6 | | | | | | | | |
| | | | IND16, Z | 37E6 | gggg | 6 | | | | | | | | |
| | | | EXT | 37F6 | hh ll | 6 | | | | | | | | |
| | | | E, X | 2786 | — | 6 | | | | | | | | |
| | | | E, Y | 2796 | — | 6 | | | | | | | | |
| E, Z | 27A6 | — | 6 | | | | | | | | | | | |
| ANDE | AND E | $(E) \cdot (M : M + 1) \Rightarrow E$ | IMM16 | 3736 | jj kk | 4 | — | — | — | — | Δ | Δ | 0 | — |
| | | | IND16, X | 3746 | gggg | 6 | | | | | | | | |
| | | | IND16, Y | 3756 | gggg | 6 | | | | | | | | |
| | | | IND16, Z | 3766 | gggg | 6 | | | | | | | | |
| | | | EXT | 3776 | hh ll | 6 | | | | | | | | |
| ANDP ¹ | AND CCR | $(CCR) \cdot IMM16 \Rightarrow CCR$ | IMM16 | 373A | jj kk | 4 | Δ | Δ | Δ | Δ | Δ | Δ | Δ | |
| ASL | Arithmetic Shift Left |  | IND8, X | 04 | ff | 8 | — | — | — | — | Δ | Δ | Δ | Δ |
| | | | IND8, Y | 14 | ff | 8 | | | | | | | | |
| | | | IND8, Z | 24 | ff | 8 | | | | | | | | |
| | | | IND16, X | 1704 | gggg | 8 | | | | | | | | |
| | | | IND16, Y | 1714 | gggg | 8 | | | | | | | | |
| | | | IND16, Z | 1724 | gggg | 8 | | | | | | | | |
| EXT | 1734 | hh ll | 8 | | | | | | | | | | | |
| ASLA | Arithmetic Shift Left A |  | INH | 3704 | — | 2 | — | — | — | — | Δ | Δ | Δ | Δ |
| ASLB | Arithmetic Shift Left B |  | INH | 3714 | — | 2 | — | — | — | — | Δ | Δ | Δ | Δ |
| ASLD | Arithmetic Shift Left D |  | INH | 27F4 | — | 2 | — | — | — | — | Δ | Δ | Δ | Δ |
| ASLE | Arithmetic Shift Left E |  | INH | 2774 | — | 2 | — | — | — | — | Δ | Δ | Δ | Δ |
| ASLM | Arithmetic Shift Left AM |  | INH | 27B6 | — | 4 | — | Δ | — | Δ | Δ | — | Δ | |
| ASLW | Arithmetic Shift Left Word |  | IND16, X | 2704 | gggg | 8 | — | — | — | — | Δ | Δ | Δ | Δ |
| | | | IND16, Y | 2714 | gggg | 8 | | | | | | | | |
| | | | IND16, Z | 2724 | gggg | 8 | | | | | | | | |
| | | | EXT | 2734 | hh ll | 8 | | | | | | | | |
| ASR | Arithmetic Shift Right |  | IND8, X | 0D | ff | 8 | — | — | — | — | Δ | Δ | Δ | Δ |
| | | | IND8, Y | 1D | ff | 8 | | | | | | | | |
| | | | IND8, Z | 2D | ff | 8 | | | | | | | | |
| | | | IND16, X | 170D | gggg | 8 | | | | | | | | |
| | | | IND16, Y | 171D | gggg | 8 | | | | | | | | |
| | | | IND16, Z | 172D | gggg | 8 | | | | | | | | |
| EXT | 173D | hh ll | 8 | | | | | | | | | | | |

Table 4-2 Instruction Set Summary (Continued)

| Mnemonic | Operation | Description | Address | Instruction | | | Condition Codes | | | | | | | |
|------------------|---|---|--|--|--|---|-----------------|---|----|---|----|---|---|---|
| | | | | Mode | Opcode | Operand | Cycles | S | MV | H | EV | N | Z | V |
| ASRA | Arithmetic Shift Right A | | INH | 370D | — | 2 | — | — | — | — | Δ | Δ | Δ | Δ |
| ASRB | Arithmetic Shift Right B | | INH | 371D | — | 2 | — | — | — | — | Δ | Δ | Δ | Δ |
| ASRD | Arithmetic Shift Right D | | INH | 27FD | — | 2 | — | — | — | — | Δ | Δ | Δ | Δ |
| ASRE | Arithmetic Shift Right E | | INH | 277D | — | 2 | — | — | — | — | Δ | Δ | Δ | Δ |
| ASRM | Arithmetic Shift Right AM | | INH | 27BA | — | 4 | — | — | — | Δ | — | — | — | Δ |
| ASRW | Arithmetic Shift Right Word | | IND16, X IND16, Y IND16, Z EXT | 270D 271D 272D 273D | gggg gggg gggg hh ll | 8 8 8 8 | — | — | — | — | Δ | Δ | Δ | Δ |
| BCC ² | Branch if Carry Clear | If C = 0, branch | REL8 | B4 | rr | 6, 2 | — | — | — | — | — | — | — | — |
| BCLR | Clear Bit(s) | $(M) \cdot (\text{Mask}) \Rightarrow M$ | IND8, X IND8, Y IND8, Z IND16, X IND16, Y IND16, Z EXT | 1708 1718 1728 08 18 28 38 | mm ff mm ff mm ff mm gggg mm gggg mm gggg mm hh ll | 8 8 8 8 8 8 8 | — | — | — | — | Δ | Δ | 0 | — |
| BCLRW | Clear Bit(s) in a Word | $(M : M + 1) \cdot (\text{Mask}) \Rightarrow M : M + 1$ | IND16, X IND16, Y IND16, Z EXT | 2708 2718 2728 2738 | gggg mmmm gggg mmmm gggg mmmm hh ll mmmm | 10 10 10 10 | — | — | — | — | Δ | Δ | 0 | — |
| BCS | Branch if Carry Set | If C = 1, branch | REL8 | B5 | rr | 6, 2 | — | — | — | — | — | — | — | — |
| BEQ | Branch if Equal | If Z = 1, branch | REL8 | B7 | rr | 6, 2 | — | — | — | — | — | — | — | — |
| BGE | Branch if Greater Than or Equal to Zero | If $N \oplus V = 0$, branch | REL8 | BC | rr | 6, 2 | — | — | — | — | — | — | — | — |
| BGND | Enter Background Debug Mode | If BDM enabled, begin debug; else, illegal instruction trap | INH | 37A6 | — | — | — | — | — | — | — | — | — | — |
| BGT | Branch if Greater Than Zero | If $Z \nrightarrow (N \oplus V) = 0$, branch | REL8 | BE | rr | 6, 2 | — | — | — | — | — | — | — | — |
| BHI | Branch if Higher | If $C \nrightarrow Z = 0$, branch | REL8 | B2 | rr | 6, 2 | — | — | — | — | — | — | — | — |
| BITA | Bit Test A | $(A) \cdot (M)$ | IND8, X IND8, Y IND8, Z IMM8 IND16, X IND16, Y IND16, Z EXT E, X E, Y E, Z | 49 59 69 79 1749 1759 1769 1779 2749 2759 2769 | ff ff ff ii gggg gggg gggg hh ll — — — | 6 6 6 2 6 6 6 6 6 6 6 | — | — | — | — | Δ | Δ | 0 | — |

Freescale Semiconductor, Inc.

Table 4-2 Instruction Set Summary (Continued)

| Mnemonic | Operation | Description | Address | Instruction | | | Condition Codes | | | | | | | |
|----------|--------------------------------------|--|----------|-------------|------------------|---------|-----------------|---|----|---|----|---|---|---|
| | | | | Mode | Opcode | Operand | Cycles | S | MV | H | EV | N | Z | V |
| BITB | Bit Test B | (B) • (M) | IND8, X | C9 | ff | 6 | — | — | — | — | — | — | — | — |
| | | | IND8, Y | D9 | ff | 6 | | | | | | | | |
| | | | IND8, Z | E9 | ff | 6 | | | | | | | | |
| | | | IMM8 | F9 | ii | 2 | | | | | | | | |
| | | | IND16, X | 17C9 | gggg | 6 | | | | | | | | |
| | | | IND16, Y | 17D9 | gggg | 6 | | | | | | | | |
| | | | IND16, Z | 17E9 | gggg | 6 | | | | | | | | |
| | | | EXT | 17F9 | hh ll | 6 | | | | | | | | |
| | | | E, X | 27C9 | — | 6 | | | | | | | | |
| | | | E, Y | 27D9 | — | 6 | | | | | | | | |
| E, Z | 27E9 | — | 6 | | | | | | | | | | | |
| BLE | Branch if Less Than or Equal to Zero | If $Z \oplus (N \oplus V) = 1$, branch | REL8 | BF | rr | 6, 2 | — | — | — | — | — | — | — | |
| BLS | Branch if Lower or Same | If $C \oplus Z = 1$, branch | REL8 | B3 | rr | 6, 2 | — | — | — | — | — | — | — | |
| BLT | Branch if Less Than Zero | If $N \oplus V = 1$, branch | REL8 | BD | rr | 6, 2 | — | — | — | — | — | — | — | |
| BMI | Branch if Minus | If $N = 1$, branch | REL8 | BB | rr | 6, 2 | — | — | — | — | — | — | — | |
| BNE | Branch if Not Equal | If $Z = 0$, branch | REL8 | B6 | rr | 6, 2 | — | — | — | — | — | — | — | |
| BPL | Branch if Plus | If $N = 0$, branch | REL8 | BA | rr | 6, 2 | — | — | — | — | — | — | — | |
| BRA | Branch Always | If $1 = 1$, branch | REL8 | B0 | rr | 6 | — | — | — | — | — | — | — | |
| BRCLR | Branch if Bit(s) Clear | If $(M) \bullet (\text{Mask}) = 0$, branch | IND8, X | CB | mm ff rr | 10, 12 | — | — | — | — | — | — | — | |
| | | | IND8, Y | DB | mm ff rr | 10, 12 | | | | | | | | |
| | | | IND8, Z | EB | mm ff rr | 10, 12 | | | | | | | | |
| | | | IND16, X | 0A | mm gggg rrrr | 10, 14 | | | | | | | | |
| | | | IND16, Y | 1A | mm gggg rrrr | 10, 14 | | | | | | | | |
| | | | IND16, Z | 2A | mm gggg rrrr | 10, 14 | | | | | | | | |
| | | | EXT | 3A | mm hh ll rrrr | 10, 14 | | | | | | | | |
| BRN | Branch Never | If $1 = 0$, branch | REL8 | B1 | rr | 2 | — | — | — | — | — | — | | |
| BRSET | Branch if Bit(s) Set | If $(\bar{M}) \bullet (\text{Mask}) = 0$, branch | IND8, X | 8B | mm ff rr | 10, 12 | — | — | — | — | — | — | — | |
| | | | IND8, Y | 9B | mm ff rr | 10, 12 | | | | | | | | |
| | | | IND8, Z | AB | mm ff rr | 10, 12 | | | | | | | | |
| | | | IND16, X | 0B | mm gggg rrrr | 10, 14 | | | | | | | | |
| | | | IND16, Y | 1B | mm gggg rrrr | 10, 14 | | | | | | | | |
| | | | IND16, Z | 2B | mm gggg rrrr | 10, 14 | | | | | | | | |
| EXT | 3B | mm hh ll rrrr | 10, 14 | | | | | | | | | | | |
| BSET | Set Bit(s) | $(M) \oplus (\text{Mask}) \Rightarrow M$ | IND8, X | 1709 | mm ff | 8 | — | — | — | — | — | — | — | |
| | | | IND8, Y | 1719 | mm ff | 8 | | | | | | | | |
| | | | IND8, Z | 1729 | mm ff | 8 | | | | | | | | |
| | | | IND16, X | 09 | mm gggg | 8 | | | | | | | | |
| | | | IND16, Y | 19 | mm gggg | 8 | | | | | | | | |
| | | | IND16, Z | 29 | mm gggg | 8 | | | | | | | | |
| EXT | 39 | mm hh ll | 8 | | | | | | | | | | | |
| BSETW | Set Bit(s) in Word | $(M : M + 1) \oplus (\text{Mask}) \Rightarrow M : M + 1$ | IND16, X | 2709 | gggg m m m m | 10 | — | — | — | — | — | — | — | |
| | | | IND16, Y | 2719 | gggg m m m m | 10 | | | | | | | | |
| | | | IND16, Z | 2729 | gggg m m m m | 10 | | | | | | | | |
| | | | EXT | 2739 | hh ll m m m m | 10 | | | | | | | | |
| BSR | Branch to Subroutine | (PK : PC) - 2 \Rightarrow PK : PC Push (PC) (SK : SP) - 2 \Rightarrow SK : SP Push (CCR) (SK : SP) - 2 \Rightarrow SK : SP (PK : PC) + Offset \Rightarrow PK : PC | REL8 | 36 | rr | 10 | — | — | — | — | — | — | | |

Freescale Semiconductor, Inc.

Freescale Semiconductor, Inc.

Table 4-2 Instruction Set Summary (Continued)

| Mnemonic | Operation | Description | Address | Instruction | | | Condition Codes | | | | | | | | | |
|----------|--------------------------|--|----------|-------------|--------|---------|-----------------|---|----|---|----|---|---|---|---|---|
| | | | | Mode | Opcode | Operand | Cycles | S | MV | H | EV | N | Z | V | C | |
| BVC | Branch if Overflow Clear | If V = 0, branch | REL8 | B8 | rr | 6, 2 | — | — | — | — | — | — | — | — | — | — |
| BVS | Branch if Overflow Set | If V = 1, branch | REL8 | B9 | rr | 6, 2 | — | — | — | — | — | — | — | — | — | — |
| CBA | Compare A to B | (A) – (B) | INH | 371B | — | 2 | — | — | — | — | Δ | Δ | Δ | Δ | — | — |
| CLR | Clear a Byte in Memory | \$00 ⇒ M | IND8, X | 05 | ff | 4 | — | — | — | — | 0 | 1 | 0 | 0 | — | — |
| | | | IND8, Y | 15 | ff | 4 | — | — | — | — | | | | | | |
| | | | IND8, Z | 25 | ff | 4 | — | — | — | — | | | | | | |
| | | | IND16, X | 1705 | gggg | 6 | — | — | — | — | | | | | | |
| | | | IND16, Y | 1715 | gggg | 6 | — | — | — | — | | | | | | |
| | | | IND16, Z | 1725 | gggg | 6 | — | — | — | — | | | | | | |
| | | | EXT | 1735 | hh ll | 6 | — | — | — | — | | | | | | |
| CLRA | Clear A | \$00 ⇒ A | INH | 3705 | — | 2 | — | — | — | — | 0 | 1 | 0 | 0 | — | — |
| CLRB | Clear B | \$00 ⇒ B | INH | 3715 | — | 2 | — | — | — | — | 0 | 1 | 0 | 0 | — | — |
| CLRD | Clear D | \$0000 ⇒ D | INH | 27F5 | — | 2 | — | — | — | — | 0 | 1 | 0 | 0 | — | — |
| CLRE | Clear E | \$0000 ⇒ E | INH | 2775 | — | 2 | — | — | — | — | 0 | 1 | 0 | 0 | — | — |
| CLRM | Clear AM | \$00000000 ⇒ AM[35:0] | INH | 27B7 | — | 2 | — | 0 | — | 0 | — | — | — | — | — | — |
| CLRW | Clear a Word in Memory | \$0000 ⇒ M : M + 1 | IND16, X | 2705 | gggg | 6 | — | — | — | — | 0 | 1 | 0 | 0 | — | — |
| | | | IND16, Y | 2715 | gggg | 6 | — | — | — | — | | | | | | |
| | | | IND16, Z | 2725 | gggg | 6 | — | — | — | — | | | | | | |
| | | | EXT | 2735 | hh ll | 6 | — | — | — | — | | | | | | |
| | | | — | — | — | — | — | — | — | — | | | | | | |
| CMPA | Compare A to Memory | (A) – (M) | IND8, X | 48 | ff | 6 | — | — | — | — | Δ | Δ | Δ | Δ | — | — |
| | | | IND8, Y | 58 | ff | 6 | — | — | — | — | | | | | | |
| | | | IND8, Z | 68 | ff | 6 | — | — | — | — | | | | | | |
| | | | IMM8 | 78 | ii | 2 | — | — | — | — | | | | | | |
| | | | IND16, X | 1748 | gggg | 6 | — | — | — | — | | | | | | |
| | | | IND16, Y | 1758 | gggg | 6 | — | — | — | — | | | | | | |
| | | | IND16, Z | 1768 | gggg | 6 | — | — | — | — | | | | | | |
| | | | EXT | 1778 | hh ll | 6 | — | — | — | — | | | | | | |
| | | | E, X | 2748 | — | 6 | — | — | — | — | | | | | | |
| | | | E, Y | 2758 | — | 6 | — | — | — | — | | | | | | |
| | | | E, Z | 2768 | — | 6 | — | — | — | — | | | | | | |
| CMPB | Compare B to Memory | (B) – (M) | IND8, X | C8 | ff | 6 | — | — | — | — | Δ | Δ | Δ | Δ | — | — |
| | | | IND8, Y | D8 | ff | 6 | — | — | — | — | | | | | | |
| | | | IND8, Z | E8 | ff | 6 | — | — | — | — | | | | | | |
| | | | IMM8 | F8 | ii | 2 | — | — | — | — | | | | | | |
| | | | IND16, X | 17C8 | gggg | 6 | — | — | — | — | | | | | | |
| | | | IND16, Y | 17D8 | gggg | 6 | — | — | — | — | | | | | | |
| | | | IND16, Z | 17E8 | gggg | 6 | — | — | — | — | | | | | | |
| | | | EXT | 17F8 | hh ll | 6 | — | — | — | — | | | | | | |
| | | | E, X | 27C8 | — | 6 | — | — | — | — | | | | | | |
| | | | E, Y | 27D8 | — | 6 | — | — | — | — | | | | | | |
| | | | E, Z | 27E8 | — | 6 | — | — | — | — | | | | | | |
| COM | One's Complement | \$FF – (M) ⇒ M, or \bar{M} ⇒ M | IND8, X | 00 | ff | 8 | — | — | — | — | Δ | Δ | 0 | 1 | — | — |
| | | | IND8, Y | 10 | ff | 8 | — | — | — | — | | | | | | |
| | | | IND8, Z | 20 | ff | 8 | — | — | — | — | | | | | | |
| | | | IND16, X | 1700 | gggg | 8 | — | — | — | — | | | | | | |
| | | | IND16, Y | 1710 | gggg | 8 | — | — | — | — | | | | | | |
| | | | IND16, Z | 1720 | gggg | 8 | — | — | — | — | | | | | | |
| | | | EXT | 1730 | hh ll | 8 | — | — | — | — | | | | | | |
| COMA | One's Complement A | \$FF – (A) ⇒ A, or \bar{A} ⇒ A | INH | 3700 | — | 2 | — | — | — | — | Δ | Δ | 0 | 1 | — | — |
| COMB | One's Complement B | \$FF – (B) ⇒ B, or \bar{B} ⇒ B | INH | 3710 | — | 2 | — | — | — | — | Δ | Δ | 0 | 1 | — | — |
| COMD | One's Complement D | \$FFFF – (D) ⇒ D, or \bar{D} ⇒ D | INH | 27F0 | — | 2 | — | — | — | — | Δ | Δ | 0 | 1 | — | — |
| COME | One's Complement E | \$FFFF – (E) ⇒ E, or \bar{E} ⇒ E | INH | 2770 | — | 2 | — | — | — | — | Δ | Δ | 0 | 1 | — | — |
| COMW | One's Complement Word | \$FFFF – M : M + 1 ⇒ M : M + 1, or $(\bar{M} : \bar{M} + 1)$ ⇒ M : M + 1 | IND16, X | 2700 | gggg | 8 | — | — | — | — | Δ | Δ | 0 | 1 | — | — |
| | | | IND16, Y | 2710 | gggg | 8 | — | — | — | — | | | | | | |
| | | | IND16, Z | 2720 | gggg | 8 | — | — | — | — | | | | | | |
| | | | EXT | 2730 | hh ll | 8 | — | — | — | — | | | | | | |
| | | | — | — | — | — | — | — | — | — | | | | | | |

Freescale Semiconductor, Inc.

Table 4-2 Instruction Set Summary (Continued)

| Mnemonic | Operation | Description | Address | Instruction | | | Condition Codes | | | | | | | |
|----------|----------------------------------|--|----------|-------------|--------|---------|-----------------|---|----|---|----|---|---|---|
| | | | | Mode | Opcode | Operand | Cycles | S | MV | H | EV | N | Z | V |
| CPD | Compare D to Memory | (D) – (M : M + 1) | IND8, X | 88 | ff | 6 | — | — | — | — | Δ | Δ | Δ | Δ |
| | | | IND8, Y | 98 | ff | 6 | | | | | | | | |
| | | | IND8, Z | A8 | ff | 6 | | | | | | | | |
| | | | IMM16 | 37B8 | jj kk | 4 | | | | | | | | |
| | | | IND16, X | 37C8 | gggg | 6 | | | | | | | | |
| | | | IND16, Y | 37D8 | gggg | 6 | | | | | | | | |
| | | | IND16, Z | 37E8 | gggg | 6 | | | | | | | | |
| | | | EXT | 37F8 | hh ll | 6 | | | | | | | | |
| | | | E, X | 2788 | — | 6 | | | | | | | | |
| | | | E, Y | 2798 | — | 6 | | | | | | | | |
| E, Z | 27A8 | — | 6 | | | | | | | | | | | |
| CPE | Compare E to Memory | (E) – (M : M + 1) | IMM16 | 3738 | jjkk | 4 | — | — | — | — | Δ | Δ | Δ | Δ |
| | | | IND16, X | 3748 | gggg | 6 | | | | | | | | |
| | | | IND16, Y | 3758 | gggg | 6 | | | | | | | | |
| | | | IND16, Z | 3768 | gggg | 6 | | | | | | | | |
| | | | EXT | 3778 | hhll | 6 | | | | | | | | |
| CPS | Compare Stack Pointer to Memory | (SP) – (M : M + 1) | IND8, X | 4F | ff | 6 | — | — | — | — | Δ | Δ | Δ | Δ |
| | | | IND8, Y | 5F | ff | 6 | | | | | | | | |
| | | | IND8, Z | 6F | ff | 6 | | | | | | | | |
| | | | IMM16 | 377F | jj kk | 4 | | | | | | | | |
| | | | IND16, X | 174F | gggg | 6 | | | | | | | | |
| | | | IND16, Y | 175F | gggg | 6 | | | | | | | | |
| | | | IND16, Z | 176F | gggg | 6 | | | | | | | | |
| | | | EXT | 177F | hh ll | 6 | | | | | | | | |
| | | | | | | | | | | | | | | |
| CPX | Compare IX to Memory | (IX) – (M : M + 1) | IND8, X | 4C | ff | 6 | — | — | — | — | Δ | Δ | Δ | Δ |
| | | | IND8, Y | 5C | ff | 6 | | | | | | | | |
| | | | IND8, Z | 6C | ff | 6 | | | | | | | | |
| | | | IMM16 | 377C | jj kk | 4 | | | | | | | | |
| | | | IND16, X | 174C | gggg | 6 | | | | | | | | |
| | | | IND16, Y | 175C | gggg | 6 | | | | | | | | |
| | | | IND16, Z | 176C | gggg | 6 | | | | | | | | |
| | | | EXT | 177C | hh ll | 6 | | | | | | | | |
| CPY | Compare IY to Memory | (IY) – (M : M + 1) | IND8, X | 4D | ff | 6 | — | — | — | — | Δ | Δ | Δ | Δ |
| | | | IND8, Y | 5D | ff | 6 | | | | | | | | |
| | | | IND8, Z | 6D | ff | 6 | | | | | | | | |
| | | | IMM16 | 377D | jj kk | 4 | | | | | | | | |
| | | | IND16, X | 174D | gggg | 6 | | | | | | | | |
| | | | IND16, Y | 175D | gggg | 6 | | | | | | | | |
| | | | IND16, Z | 176D | gggg | 6 | | | | | | | | |
| | | | EXT | 177D | hh ll | 6 | | | | | | | | |
| CPZ | Compare IZ to Memory | (IZ) – (M : M + 1) | IND8, X | 4E | ff | 6 | — | — | — | — | Δ | Δ | Δ | Δ |
| | | | IND8, Y | 5E | ff | 6 | | | | | | | | |
| | | | IND8, Z | 6E | ff | 6 | | | | | | | | |
| | | | IMM16 | 377E | jj kk | 4 | | | | | | | | |
| | | | IND16, X | 174E | gggg | 6 | | | | | | | | |
| | | | IND16, Y | 175E | gggg | 6 | | | | | | | | |
| | | | IND16, Z | 176E | gggg | 6 | | | | | | | | |
| | | | EXT | 177E | hh ll | 6 | | | | | | | | |
| DAA | Decimal Adjust A | (A) ₁₀ | INH | 3721 | — | 2 | — | — | — | — | Δ | Δ | U | Δ |
| DEC | Decrement Memory | (M) – \$01 ⇒ M | IND8, X | 01 | ff | 8 | — | — | — | — | Δ | Δ | Δ | — |
| | | | IND8, Y | 11 | ff | 8 | | | | | | | | |
| | | | IND8, Z | 21 | ff | 8 | | | | | | | | |
| | | | IND16, X | 1701 | gggg | 8 | | | | | | | | |
| | | | IND16, Y | 1711 | gggg | 8 | | | | | | | | |
| | | | IND16, Z | 1721 | gggg | 8 | | | | | | | | |
| EXT | 1731 | hh ll | 8 | | | | | | | | | | | |
| DECA | Decrement A | (A) – \$01 ⇒ A | INH | 3701 | — | 2 | — | — | — | — | Δ | Δ | Δ | — |
| DECB | Decrement B | (B) – \$01 ⇒ B | INH | 3711 | — | 2 | — | — | — | — | Δ | Δ | Δ | — |
| DECW | Decrement Memory Word | (M : M + 1) – \$0001 ⇒ M : M + 1 | IND16, X | 2701 | gggg | 8 | — | — | — | — | Δ | Δ | Δ | — |
| | | | IND16, Y | 2711 | gggg | 8 | | | | | | | | |
| | | | IND16, Z | 2721 | gggg | 8 | | | | | | | | |
| | | | EXT | 2731 | hh ll | 8 | | | | | | | | |
| EDIV | Extended Unsigned Integer Divide | (E : D) / (IX) Quotient ⇒ IX Remainder ⇒ D | INH | 3728 | — | 24 | — | — | — | — | Δ | Δ | Δ | Δ |

Freescale Semiconductor, Inc.

Table 4-2 Instruction Set Summary (Continued)

| Mnemonic | Operation | Description | Address | Instruction | | | Condition Codes | | | | | | | | | | | | |
|----------|--------------------------------|--|---|--|---|---|-----------------|---|----|---|----|---|---|---|---|---|---|---|---|
| | | | | Mode | Opcode | Operand | Cycles | S | MV | H | EV | N | Z | V | C | | | | |
| EDIVS | Extended Signed Integer Divide | (E : D) / (IX) Quotient ⇒ IX Remainder ⇒ D | INH | 3729 | — | 38 | — | — | — | — | — | — | — | — | — | — | — | — | — |
| EMUL | Extended Unsigned Multiply | (E) * (D) ⇒ E : D | INH | 3725 | — | 10 | — | — | — | — | — | — | — | — | — | — | — | — | |
| EMULS | Extended Signed Multiply | (E) * (D) ⇒ E : D | INH | 3726 | — | 8 | — | — | — | — | — | — | — | — | — | — | — | — | |
| EORA | Exclusive OR A | (A) ⊕ (M) ⇒ A | IND8, X IND8, Y IND8, Z IMM8 IND16, X IND16, Y IND16, Z EXT E, X E, Y E, Z | 44 54 64 74 1744 1754 1764 1774 2744 2754 2764 | ff ff ff ii gggg gggg gggg hh ll — — — | 6 6 6 2 6 6 6 6 6 6 6 | — | — | — | — | — | — | — | — | — | — | — | — | — |
| EORB | Exclusive OR B | (B) ⊕ (M) ⇒ B | IND8, X IND8, Y IND8, Z IMM8 IND16, X IND16, Y IND16, Z EXT E, X E, Y E, Z | C4 D4 E4 F4 17C4 17D4 17E4 17F4 27C4 27D4 27E4 | ff ff ff ii gggg gggg gggg hh ll — — — | 6 6 6 2 6 6 6 6 6 6 6 | — | — | — | — | — | — | — | — | — | — | — | — | |
| EORD | Exclusive OR D | (D) ⊕ (M : M + 1) ⇒ D | IND8, X IND8, Y IND8, Z IMM16 IND16, X IND16, Y IND16, Z EXT E, X E, Y E, Z | 84 94 A4 37B4 37C4 37D4 37E4 37F4 2784 2794 27A4 | ff ff ff jj kk gggg gggg gggg hh ll — — — | 6 6 6 4 6 6 6 6 6 6 6 | — | — | — | — | — | — | — | — | — | — | — | — | |
| EORE | Exclusive OR E | (E) ⊕ (M : M + 1) ⇒ E | IMM16 IND16, X IND16, Y IND16, Z EXT | 3734 3744 3754 3764 3774 | jj kk gggg gggg gggg hh ll | 4 6 6 6 6 | — | — | — | — | — | — | — | — | — | — | — | — | — |
| FDIV | Fractional Unsigned Divide | (D) / (IX) ⇒ IX Remainder ⇒ D | INH | 372B | — | 22 | — | — | — | — | — | — | — | — | — | — | — | — | — |
| FMULS | Fractional Signed Multiply | (E) * (D) ⇒ E : D[31:1] 0 ⇒ D[0] | INH | 3727 | — | 8 | — | — | — | — | — | — | — | — | — | — | — | — | — |
| IDIV | Integer Divide | (D) / (IX) ⇒ IX Remainder ⇒ D | INH | 372A | — | 22 | — | — | — | — | — | — | — | — | — | — | — | — | — |
| INC | Increment Memory | (M) + \$01 ⇒ M | IND8, X IND8, Y IND8, Z IND16, X IND16, Y IND16, Z EXT | 03 13 23 1703 1713 1723 1733 | ff ff ff gggg gggg gggg hh ll | 8 8 8 8 8 8 8 | — | — | — | — | — | — | — | — | — | — | — | — | — |
| INCA | Increment A | (A) + \$01 ⇒ A | INH | 3703 | — | 2 | — | — | — | — | — | — | — | — | — | — | — | — | — |
| INCB | Increment B | (B) + \$01 ⇒ B | INH | 3713 | — | 2 | — | — | — | — | — | — | — | — | — | — | — | — | — |
| INCW | Increment Memory Word | (M : M + 1) + \$0001 ⇒ M : M + 1 | IND16, X IND16, Y IND16, Z EXT | 2703 2713 2723 2733 | gggg gggg gggg hh ll | 8 8 8 8 | — | — | — | — | — | — | — | — | — | — | — | — | — |

Freescale Semiconductor, Inc.

Table 4-2 Instruction Set Summary (Continued)

| Mnemonic | Operation | Description | Address | Instruction | | | Condition Codes | | | | | | | |
|----------|--|---|----------|-------------|----------|---------|-----------------|---|----|---|----|---|---|---|
| | | | | Mode | Opcode | Operand | Cycles | S | MV | H | EV | N | Z | V |
| JMP | Jump | $\langle ea \rangle \Rightarrow PK : PC$ | EXT20 | 7A | zb hh ll | 6 | | | | | | | | |
| | | | IND20, X | 4B | zg gggg | 8 | | | | | | | | |
| | | | IND20, Y | 5B | zg gggg | 8 | | | | | | | | |
| | | | IND20, Z | 6B | zg gggg | 8 | | | | | | | | |
| JSR | Jump to Subroutine | Push (PC) (SK : SP) - \$0002 \Rightarrow SK : SP Push (CCR) (SK : SP) - \$0002 \Rightarrow SK : SP $\langle ea \rangle \Rightarrow PK : PC$ | EXT20 | FA | zb hh ll | 10 | | | | | | | | |
| | | | IND20, X | 89 | zg gggg | 12 | | | | | | | | |
| | | | IND20, Y | 99 | zg gggg | 12 | | | | | | | | |
| | | | IND20, Z | A9 | zg gggg | 12 | | | | | | | | |
| LBCC | Long Branch if Carry Clear | If C = 0, branch | REL16 | 3784 | rrrr | 6, 4 | | | | | | | | |
| LBCS | Long Branch if Carry Set | If C = 1, branch | REL16 | 3785 | rrrr | 6, 4 | | | | | | | | |
| LBEQ | Long Branch if Equal to Zero | If Z = 1, branch | REL16 | 3787 | rrrr | 6, 4 | | | | | | | | |
| LBEV | Long Branch if EV Set | If EV = 1, branch | REL16 | 3791 | rrrr | 6, 4 | | | | | | | | |
| LBGE | Long Branch if Greater Than or Equal to Zero | If $N \oplus V = 0$, branch | REL16 | 378C | rrrr | 6, 4 | | | | | | | | |
| LBGT | Long Branch if Greater Than Zero | If $Z \nrightarrow (N \oplus V) = 0$, branch | REL16 | 378E | rrrr | 6, 4 | | | | | | | | |
| LBHI | Long Branch if Higher | If $C \nrightarrow Z = 0$, branch | REL16 | 3782 | rrrr | 6, 4 | | | | | | | | |
| LBLE | Long Branch if Less Than or Equal to Zero | If $Z \nrightarrow (N \oplus V) = 1$, branch | REL16 | 378F | rrrr | 6, 4 | | | | | | | | |
| LBSL | Long Branch if Lower or Same | If $C \nrightarrow Z = 1$, branch | REL16 | 3783 | rrrr | 6, 4 | | | | | | | | |
| LBLT | Long Branch if Less Than Zero | If $N \oplus V = 1$, branch | REL16 | 378D | rrrr | 6, 4 | | | | | | | | |
| LBMI | Long Branch if Minus | If N = 1, branch | REL16 | 378B | rrrr | 6, 4 | | | | | | | | |
| LBMV | Long Branch if MV Set | If MV = 1, branch | REL16 | 3790 | rrrr | 6, 4 | | | | | | | | |
| LBNE | Long Branch if Not Equal to Zero | If Z = 0, branch | REL16 | 3786 | rrrr | 6, 4 | | | | | | | | |
| LBPL | Long Branch if Plus | If N = 0, branch | REL16 | 378A | rrrr | 6, 4 | | | | | | | | |
| LBRA | Long Branch Always | If 1 = 1, branch | REL16 | 3780 | rrrr | 6 | | | | | | | | |
| LBRN | Long Branch Never | If 1 = 0, branch | REL16 | 3781 | rrrr | 6 | | | | | | | | |
| LBSR | Long Branch to Subroutine | Push (PC) (SK : SP) - 2 \Rightarrow SK : SP Push (CCR) (SK : SP) - 2 \Rightarrow SK : SP (PK : PC) + Offset \Rightarrow PK : PC | REL16 | 27F9 | rrrr | 10 | | | | | | | | |
| LBVC | Long Branch if Overflow Clear | If V = 0, branch | REL16 | 3788 | rrrr | 6, 4 | | | | | | | | |
| LBVS | Long Branch if Overflow Set | If V = 1, branch | REL16 | 3789 | rrrr | 6, 4 | | | | | | | | |
| LDAA | Load A | $(M) \Rightarrow A$ | IND8, X | 45 | ff | 6 | | | | | | | | |
| | | | IND8, Y | 55 | ff | 6 | | | | | | | | |
| | | | IND8, Z | 65 | ff | 6 | | | | | | | | |
| | | | IMM8 | 75 | ii | 2 | | | | | | | | |
| | | | IND16, X | 1745 | gggg | 6 | | | | | | | | |
| | | | IND16, Y | 1755 | gggg | 6 | | | | | | | | |
| | | | IND16, Z | 1765 | gggg | 6 | | | | | | | | |
| | | | EXT | 1775 | hh ll | 6 | | | | | | | | |
| | | | E, X | 2745 | — | 6 | | | | | | | | |
| | | | E, Y | 2755 | — | 6 | | | | | | | | |
| | | | E, Z | 2765 | — | 6 | | | | | | | | |

Freescale Semiconductor, Inc.

Freescale Semiconductor, Inc.

Table 4-2 Instruction Set Summary (Continued)

| Mnemonic | Operation | Description | Address | Instruction | | | Condition Codes | | | | | | | | | | |
|----------|---------------------------|--|----------|-------------|------------------|---------|-----------------|----|----|---|----|---|---|---|---|---|---|
| | | | | Mode | Opcode | Operand | Cycles | S | MV | H | EV | N | Z | V | C | | |
| LDAB | Load B | (M) ⇒ B | IND8, X | C5 | ff | 6 | — | — | — | — | Δ | Δ | 0 | Δ | | | |
| | | | IND8, Y | D5 | ff | 6 | | | | | | | | | | | |
| | | | IND8, Z | E5 | ff | 6 | | | | | | | | | | | |
| | | | IMM8 | F5 | ii | 2 | | | | | | | | | | | |
| | | | IND16, X | 17C5 | gggg | 6 | | | | | | | | | | | |
| | | | IND16, Y | 17D5 | gggg | 6 | | | | | | | | | | | |
| | | | IND16, Z | 17E5 | gggg | 6 | | | | | | | | | | | |
| | | | EXT | 17F5 | hh ll | 6 | | | | | | | | | | | |
| | | | E, X | 27C5 | — | 6 | | | | | | | | | | | |
| | | | E, Y | 27D5 | — | 6 | | | | | | | | | | | |
| | | | E, Z | 27E5 | — | 6 | | | | | | | | | | | |
| LDD | Load D | (M : M + 1) ⇒ D | IND8, X | 85 | ff | 6 | — | — | — | — | Δ | Δ | 0 | — | | | |
| | | | IND8, Y | 95 | ff | 6 | | | | | | | | | | | |
| | | | IND8, Z | A5 | ff | 6 | | | | | | | | | | | |
| | | | IMM16 | 37B5 | jj kk | 4 | | | | | | | | | | | |
| | | | IND16, X | 37C5 | gggg | 6 | | | | | | | | | | | |
| | | | IND16, Y | 37D5 | gggg | 6 | | | | | | | | | | | |
| | | | IND16, Z | 37E5 | gggg | 6 | | | | | | | | | | | |
| | | | EXT | 37F5 | hh ll | 6 | | | | | | | | | | | |
| | | | E, X | 2785 | — | 6 | | | | | | | | | | | |
| | | | E, Y | 2795 | — | 6 | | | | | | | | | | | |
| | | | E, Z | 27A5 | — | 6 | | | | | | | | | | | |
| LDE | Load E | (M : M + 1) ⇒ E | IMM16 | 3735 | jj kk | 4 | — | — | — | — | Δ | Δ | 0 | — | | | |
| | | | IND16, X | 3745 | gggg | 6 | | | | | | | | | | | |
| | | | IND16, Y | 3755 | gggg | 6 | | | | | | | | | | | |
| | | | IND16, Z | 3765 | gggg | 6 | | | | | | | | | | | |
| | | | EXT | 3775 | hh ll | 6 | | | | | | | | | | | |
| LDED | Load Concatenated E and D | (M : M + 1) ⇒ E (M + 2 : M + 3) ⇒ D | EXT | 2771 | hh ll | 8 | — | — | — | — | — | — | — | | | | |
| LDHI | Initialize H and I | (M : M + 1)X ⇒ H R (M : M + 1)Y ⇒ I R | INH | 27B0 | — | 8 | — | — | — | — | — | — | — | | | | |
| LDS | Load SP | (M : M + 1) ⇒ SP | IND8, X | CF | ff | 6 | — | — | — | — | Δ | Δ | 0 | — | | | |
| | | | IND8, Y | DF | ff | 6 | | | | | | | | | | | |
| | | | IND8, Z | EF | ff | 6 | | | | | | | | | | | |
| | | | IND16, X | 17CF | gggg | 6 | | | | | | | | | | | |
| | | | IND16, Y | 17DF | gggg | 6 | | | | | | | | | | | |
| | | | IND16, Z | 17EF | gggg | 6 | | | | | | | | | | | |
| | | | EXT | 17FF | hh ll | 6 | | | | | | | | | | | |
| | | | IMM16 | 37BF | jj kk | 4 | | | | | | | | | | | |
| | | | LDX | Load IX | (M : M + 1) ⇒ IX | IND8, X | CC | ff | 6 | — | — | — | — | Δ | Δ | 0 | — |
| | | | | | | IND8, Y | DC | ff | 6 | | | | | | | | |
| IND8, Z | EC | ff | | | | 6 | | | | | | | | | | | |
| IMM16 | 37BC | jj kk | | | | 4 | | | | | | | | | | | |
| IND16, X | 17CC | gggg | | | | 6 | | | | | | | | | | | |
| IND16, Y | 17DC | gggg | | | | 6 | | | | | | | | | | | |
| IND16, Z | 17EC | gggg | | | | 6 | | | | | | | | | | | |
| EXT | 17FC | hh ll | | | | 6 | | | | | | | | | | | |
| LDY | Load IY | (M : M + 1) ⇒ IY | IND8, X | CD | ff | 6 | — | — | — | — | Δ | Δ | 0 | — | | | |
| | | | IND8, Y | DD | ff | 6 | | | | | | | | | | | |
| | | | IND8, Z | ED | ff | 6 | | | | | | | | | | | |
| | | | IMM16 | 37BD | jj kk | 4 | | | | | | | | | | | |
| | | | IND16, X | 17CD | gggg | 6 | | | | | | | | | | | |
| | | | IND16, Y | 17DD | gggg | 6 | | | | | | | | | | | |
| | | | IND16, Z | 17ED | gggg | 6 | | | | | | | | | | | |
| | | | EXT | 17FD | hh ll | 6 | | | | | | | | | | | |
| LDZ | Load IZ | (M : M + 1) ⇒ IZ | IND8, X | CE | ff | 6 | — | — | — | — | Δ | Δ | 0 | — | | | |
| | | | IND8, Y | DE | ff | 6 | | | | | | | | | | | |
| | | | IND8, Z | EE | ff | 6 | | | | | | | | | | | |
| | | | IMM16 | 37BE | jj kk | 4 | | | | | | | | | | | |
| | | | IND16, X | 17CE | gggg | 6 | | | | | | | | | | | |
| | | | IND16, Y | 17DE | gggg | 6 | | | | | | | | | | | |
| | | | IND16, Z | 17EE | gggg | 6 | | | | | | | | | | | |
| | | | EXT | 17FE | hh ll | 6 | | | | | | | | | | | |

Table 4-2 Instruction Set Summary (Continued)

| Mnemonic | Operation | Description | Address | Instruction | | | Condition Codes | | | | | | | | | |
|----------|---|---|------------|-------------|-------------|---------|-----------------|---|----|---|----|---|---|---|---|---|
| | | | | Mode | Opcode | Operand | Cycles | S | MV | H | EV | N | Z | V | C | |
| LPSTOP | Low Power Stop | If S then STOP else NOP | INH | 27F1 | — | 4, 20 | — | — | — | — | — | — | — | — | — | — |
| LSR | Logical Shift Right | | IND8, X | 0F | ff | 8 | — | — | — | — | 0 | Δ | Δ | Δ | | |
| | | | IND8, Y | 1F | ff | 8 | — | — | — | — | — | — | — | — | | |
| | | | IND8, Z | 2F | ff | 8 | — | — | — | — | — | — | — | — | | |
| | | | IND16, X | 170F | gggg | 8 | — | — | — | — | — | — | — | — | | |
| | | | IND16, Y | 171F | gggg | 8 | — | — | — | — | — | — | — | — | | |
| | | | IND16, Z | 172F | gggg | 8 | — | — | — | — | — | — | — | — | | |
| | | | EXT | 173F | hh ll | 8 | — | — | — | — | — | — | — | — | | |
| LSRA | Logical Shift Right A | | INH | 370F | — | 2 | — | — | — | — | 0 | Δ | Δ | Δ | | |
| LSRB | Logical Shift Right B | | INH | 371F | — | 2 | — | — | — | — | 0 | Δ | Δ | Δ | | |
| LSRD | Logical Shift Right D | | INH | 27FF | — | 2 | — | — | — | — | 0 | Δ | Δ | Δ | | |
| LSRE | Logical Shift Right E | | INH | 277F | — | 2 | — | — | — | — | 0 | Δ | Δ | Δ | | |
| LSRW | Logical Shift Right Word | | IND16, X | 270F | gggg | 8 | — | — | — | — | 0 | Δ | Δ | Δ | | |
| | | | IND16, Y | 271F | gggg | 8 | — | — | — | — | — | — | — | — | | |
| | | | IND16, Z | 272F | gggg | 8 | — | — | — | — | — | — | — | — | | |
| | | | EXT | 273F | hh ll | 8 | — | — | — | — | — | — | — | — | | |
| MAC | Multiply and Accumulate Signed 16-Bit Fractions | (HR) * (IR) ⇒ E : D (AM) + (E : D) ⇒ AM Qualified (IX) ⇒ IX Qualified (IY) ⇒ IY (HR) ⇒ IZ (M : M + 1) _X ⇒ HR (M : M + 1) _Y ⇒ IR | IMM8 | 7B | xoyo | 12 | — | Δ | — | Δ | — | — | Δ | — | | |
| MOVB | Move Byte | (M ₁) ⇒ M ₂ | IXP to EXT | 30 | ff hh ll | 8 | — | — | — | — | Δ | Δ | 0 | — | | |
| | | | EXT to IXP | 32 | ff hh ll | 8 | — | — | — | — | — | — | — | — | | |
| | | | EXT to EXT | 37FE | hh ll hh ll | 10 | — | — | — | — | — | — | — | — | | |
| MOVW | Move Word | (M : M + 1) ₁ ⇒ M : M + 1 ₂ | IXP to EXT | 31 | ff hh ll | 8 | — | — | — | — | Δ | Δ | 0 | — | | |
| | | | EXT to IXP | 33 | ff hh ll | 8 | — | — | — | — | — | — | — | — | | |
| | | | EXT to EXT | 37FF | hh ll hh ll | 10 | — | — | — | — | — | — | — | — | | |
| MUL | Multiply | (A) * (B) ⇒ D | INH | 3724 | — | 10 | — | — | — | — | — | — | — | Δ | | |
| NEG | Negate Memory | \$00 - (M) ⇒ M | IND8, X | 02 | ff | 8 | — | — | — | — | Δ | Δ | Δ | Δ | | |
| | | | IND8, Y | 12 | ff | 8 | — | — | — | — | — | — | — | — | | |
| | | | IND8, Z | 22 | ff | 8 | — | — | — | — | — | — | — | — | | |
| | | | IND16, X | 1702 | gggg | 8 | — | — | — | — | — | — | — | — | | |
| | | | IND16, Y | 1712 | gggg | 8 | — | — | — | — | — | — | — | — | | |
| | | | IND16, Z | 1722 | gggg | 8 | — | — | — | — | — | — | — | — | | |
| | | | EXT | 1732 | hh ll | 8 | — | — | — | — | — | — | — | — | | |
| NEGA | Negate A | \$00 - (A) ⇒ A | INH | 3702 | — | 2 | — | — | — | — | Δ | Δ | Δ | Δ | | |
| NEGB | Negate B | \$00 - (B) ⇒ B | INH | 3712 | — | 2 | — | — | — | — | Δ | Δ | Δ | Δ | | |
| NEGD | Negate D | \$0000 - (D) ⇒ D | INH | 27F2 | — | 2 | — | — | — | — | Δ | Δ | Δ | Δ | | |
| NEGE | Negate E | \$0000 - (E) ⇒ E | INH | 2772 | — | 2 | — | — | — | — | Δ | Δ | Δ | Δ | | |
| NEGW | Negate Memory Word | \$0000 - (M : M + 1) ⇒ M : M + 1 | IND16, X | 2702 | gggg | 8 | — | — | — | — | Δ | Δ | Δ | Δ | | |
| | | | IND16, Y | 2712 | gggg | 8 | — | — | — | — | — | — | — | — | | |
| | | | IND16, Z | 2722 | gggg | 8 | — | — | — | — | — | — | — | — | | |
| | | | EXT | 2732 | hh ll | 8 | — | — | — | — | — | — | — | — | | |
| NOP | Null Operation | — | INH | 274C | — | 2 | — | — | — | — | — | — | — | — | | |

Freescale Semiconductor, Inc.

Table 4-2 Instruction Set Summary (Continued)

| Mnemonic | Operation | Description | Address | Instruction | | | Condition Codes | | | | | | | |
|----------|--|--|----------|-------------|--------|---|-----------------|---|----|---|----|---|---|---|
| | | | | Mode | Opcode | Operand | Cycles | S | MV | H | EV | N | Z | V |
| ORAA | OR A | $(A) \oplus (M) \Rightarrow A$ | IND8, X | 47 | ff | 6 | — | — | — | — | Δ | Δ | 0 | — |
| | | | IND8, Y | 57 | ff | 6 | | | | | | | | |
| | | | IND8, Z | 67 | ff | 6 | | | | | | | | |
| | | | IMM8 | 77 | ii | 2 | | | | | | | | |
| | | | IND16, X | 1747 | gggg | 6 | | | | | | | | |
| | | | IND16, Y | 1757 | gggg | 6 | | | | | | | | |
| | | | IND16, Z | 1767 | gggg | 6 | | | | | | | | |
| | | | EXT | 1777 | hh ll | 6 | | | | | | | | |
| | | | E, X | 2747 | — | 6 | | | | | | | | |
| | | | E, Y | 2757 | — | 6 | | | | | | | | |
| E, Z | 2767 | — | 6 | | | | | | | | | | | |
| ORAB | OR B | $(B) \oplus (M) \Rightarrow B$ | IND8, X | C7 | ff | 6 | — | — | — | — | Δ | Δ | 0 | — |
| | | | IND8, Y | D7 | ff | 6 | | | | | | | | |
| | | | IND8, Z | E7 | ff | 6 | | | | | | | | |
| | | | IMM8 | F7 | ii | 2 | | | | | | | | |
| | | | IND16, X | 17C7 | gggg | 6 | | | | | | | | |
| | | | IND16, Y | 17D7 | gggg | 6 | | | | | | | | |
| | | | IND16, Z | 17E7 | gggg | 6 | | | | | | | | |
| | | | EXT | 17F7 | hh ll | 6 | | | | | | | | |
| | | | E, X | 27C7 | — | 6 | | | | | | | | |
| | | | E, Y | 27D7 | — | 6 | | | | | | | | |
| E, Z | 27E7 | — | 6 | | | | | | | | | | | |
| ORD | OR D | $(D) \oplus (M : M + 1) \Rightarrow D$ | IND8, X | 87 | ff | 6 | — | — | — | — | Δ | Δ | 0 | — |
| | | | IND8, Y | 97 | ff | 6 | | | | | | | | |
| | | | IND8, Z | A7 | ff | 6 | | | | | | | | |
| | | | IMM16 | 37B7 | jj kk | 4 | | | | | | | | |
| | | | IND16, X | 37C7 | gggg | 6 | | | | | | | | |
| | | | IND16, Y | 37D7 | gggg | 6 | | | | | | | | |
| | | | IND16, Z | 37E7 | gggg | 6 | | | | | | | | |
| | | | EXT | 37F7 | hh ll | 6 | | | | | | | | |
| | | | E, X | 2787 | — | 6 | | | | | | | | |
| | | | E, Y | 2797 | — | 6 | | | | | | | | |
| E, Z | 27A7 | — | 6 | | | | | | | | | | | |
| ORE | OR E | $(E) \oplus (M : M + 1) \Rightarrow E$ | IMM16 | 3737 | jj kk | 4 | — | — | — | — | Δ | Δ | 0 | — |
| | | | IND16, X | 3747 | gggg | 6 | | | | | | | | |
| | | | IND16, Y | 3757 | gggg | 6 | | | | | | | | |
| | | | IND16, Z | 3767 | gggg | 6 | | | | | | | | |
| EXT | 3777 | hh ll | 6 | | | | | | | | | | | |
| ORP | OR Condition Code Register | $(CCR) \oplus IMM16 \Rightarrow CCR$ | IMM16 | 373B | jj kk | 4 | Δ | Δ | Δ | Δ | Δ | Δ | Δ | |
| PSHA | Push A | $(SK : SP) + \$0001 \Rightarrow SK : SP$ Push (A) $(SK : SP) - \$0002 \Rightarrow SK : SP$ | INH | 3708 | — | 4 | — | — | — | — | — | — | — | |
| PSHB | Push B | $(SK : SP) + \$0001 \Rightarrow SK : SP$ Push (B) $(SK : SP) - \$0002 \Rightarrow SK : SP$ | INH | 3718 | — | 4 | — | — | — | — | — | — | — | |
| PSHM | Push Multiple Registers | For mask bits 0 to 7: If mask bit set Push register $(SK : SP) - 2 \Rightarrow SK : SP$ | IMM8 | 34 | ii | 4 + 2N | — | — | — | — | — | — | — | |
| | Mask bits: 0 = D 1 = E 2 = IX 3 = IY 4 = IZ 5 = K 6 = CCR 7 = (Reserved) | | | | | N = number of registers pushed | | | | | | | | |
| PSHMAC | Push MAC Registers | MAC Registers \Rightarrow Stack | INH | 27B8 | — | 14 | — | — | — | — | — | — | — | |
| PULA | Pull A | $(SK : SP) + \$0002 \Rightarrow SK : SP$ Pull (A) $(SK : SP) - \$0001 \Rightarrow SK : SP$ | INH | 3709 | — | 6 | — | — | — | — | — | — | — | |
| PULB | Pull B | $(SK : SP) + \$0002 \Rightarrow SK : SP$ Pull (B) $(SK : SP) - \$0001 \Rightarrow SK : SP$ | INH | 3719 | — | 6 | — | — | — | — | — | — | — | |

Table 4-2 Instruction Set Summary (Continued)

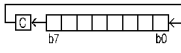
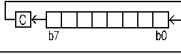
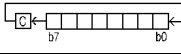
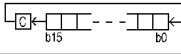
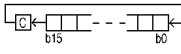
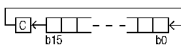
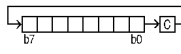
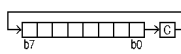
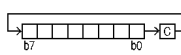
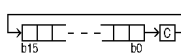
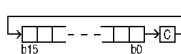
| Mnemonic | Operation | Description | Address | Instruction | | | Condition Codes | | | | | | | | |
|----------|---|---|--|--|---|---|-----------------|---|----|---|----|---|---|---|---|
| | | | | Mode | Opcode | Operand | Cycles | S | MV | H | EV | N | Z | V | C |
| PULM | Pull Multiple Registers Mask bits: 0 = CCR[15:4] 1 = K 2 = IZ 3 = IY 4 = IX 5 = E 6 = D 7 = (Reserved) | For mask bits 0 to 7: If mask bit set (SK : SP) + 2 ⇒ SK : SP Pull register | IMM8 | 35 | ii | 4+2(N+1) N = number of registers pulled | Δ | Δ | Δ | Δ | Δ | Δ | Δ | Δ | Δ |
| PULMAC | Pull MAC State | Stack ⇒ MAC Registers | INH | 27B9 | — | 16 | — | — | — | — | — | — | — | — | — |
| RMAC | Repeating Multiply and Accumulate Signed 16-Bit Fractions | Repeat until (E) < 0 (AM) + (H) * (I) ⇒ AM Qualified (IX) ⇒ IX; Qualified (IY) ⇒ IY; (M : M + 1) _X ⇒ H; (M : M + 1) _Y ⇒ I (E) - 1 ⇒ E Until (E) < \$0000 | IMM8 | FB | xoyo | 6 + 12 per iteration | — | Δ | — | Δ | — | — | — | — | — |
| ROL | Rotate Left |  | IND8, X IND8, Y IND8, Z IND16, X IND16, Y IND16, Z EXT | 0C 1C 2C 170C 171C 172C 173C | ff ff ff gggg gggg gggg hh ll | 8 8 8 8 8 8 8 | — | — | — | — | Δ | Δ | Δ | Δ | |
| ROLA | Rotate Left A |  | INH | 370C | — | 2 | — | — | — | — | Δ | Δ | Δ | Δ | |
| ROLB | Rotate Left B |  | INH | 371C | — | 2 | — | — | — | — | Δ | Δ | Δ | Δ | |
| ROLD | Rotate Left D |  | INH | 27FC | — | 2 | — | — | — | — | Δ | Δ | Δ | Δ | |
| ROLE | Rotate Left E |  | INH | 277C | — | 2 | — | — | — | — | Δ | Δ | Δ | Δ | |
| ROLW | Rotate Left Word |  | IND16, X IND16, Y IND16, Z EXT | 270C 271C 272C 273C | gggg gggg gggg hh ll | 8 8 8 8 | — | — | — | — | Δ | Δ | Δ | Δ | |
| ROR | Rotate Right Byte |  | IND8, X IND8, Y IND8, Z IND16, X IND16, Y IND16, Z EXT | 0E 1E 2E 170E 171E 172E 173E | ff ff ff gggg gggg gggg hh ll | 8 8 8 8 8 8 8 | — | — | — | — | Δ | Δ | Δ | Δ | |
| RORA | Rotate Right A |  | INH | 370E | — | 2 | — | — | — | — | Δ | Δ | Δ | Δ | |
| RORB | Rotate Right B |  | INH | 371E | — | 2 | — | — | — | — | Δ | Δ | Δ | Δ | |
| RORD | Rotate Right D |  | INH | 27FE | — | 2 | — | — | — | — | Δ | Δ | Δ | Δ | |
| RORE | Rotate Right E |  | INH | 277E | — | 2 | — | — | — | — | Δ | Δ | Δ | Δ | |

Table 4-2 Instruction Set Summary (Continued)

| Mnemonic | Operation | Description | Address | Instruction | | | Condition Codes | | | | | | | |
|------------------|----------------------------|--|----------|-------------|--------|---------|-----------------|---|----|---|----|---|---|---|
| | | | | Mode | Opcode | Operand | Cycles | S | MV | H | EV | N | Z | V |
| RORW | Rotate Right Word | | IND16, X | 270E | gggg | 8 | — | — | — | — | Δ | Δ | Δ | Δ |
| | | | IND16, Y | 271E | gggg | 8 | — | — | — | — | Δ | Δ | Δ | Δ |
| | | | IND16, Z | 272E | gggg | 8 | — | — | — | — | Δ | Δ | Δ | Δ |
| | | | EXT | 273E | hh ll | 8 | — | — | — | — | Δ | Δ | Δ | Δ |
| RTI ³ | Return from Interrupt | (SK : SP) + 2 ⇒ SK : SP Pull CCR (SK : SP) + 2 ⇒ SK : SP Pull PC (PK : PC) - 6 ⇒ PK : PC | INH | 2777 | — | 12 | Δ | Δ | Δ | Δ | Δ | Δ | Δ | Δ |
| RTS ⁴ | Return from Subroutine | (SK : SP) + 2 ⇒ SK : SP Pull PK (SK : SP) + 2 ⇒ SK : SP Pull PC (PK : PC) - 2 ⇒ PK : PC | INH | 27F7 | — | 12 | — | — | — | — | — | — | — | — |
| SBA | Subtract B from A | (A) - (B) ⇒ A | INH | 370A | — | 2 | — | — | — | — | Δ | Δ | Δ | Δ |
| SBCA | Subtract with Carry from A | (A) - (M) - C ⇒ A | IND8, X | 42 | ff | 6 | — | — | — | — | Δ | Δ | Δ | Δ |
| | | | IND8, Y | 52 | ff | 6 | — | — | — | — | Δ | Δ | Δ | Δ |
| | | | IND8, Z | 62 | ff | 6 | — | — | — | — | Δ | Δ | Δ | Δ |
| | | | IMM8 | 72 | ii | 2 | — | — | — | — | Δ | Δ | Δ | Δ |
| | | | IND16, X | 1742 | gggg | 6 | — | — | — | — | Δ | Δ | Δ | Δ |
| | | | IND16, Y | 1752 | gggg | 6 | — | — | — | — | Δ | Δ | Δ | Δ |
| | | | IND16, Z | 1762 | gggg | 6 | — | — | — | — | Δ | Δ | Δ | Δ |
| | | | EXT | 1772 | hh ll | 6 | — | — | — | — | Δ | Δ | Δ | Δ |
| | | | E, X | 2742 | — | 6 | — | — | — | — | Δ | Δ | Δ | Δ |
| | | | E, Y | 2752 | — | 6 | — | — | — | — | Δ | Δ | Δ | Δ |
| | | | E, Z | 2762 | — | 6 | — | — | — | — | Δ | Δ | Δ | Δ |
| SBCB | Subtract with Carry from B | (B) - (M) - C ⇒ B | IND8, X | C2 | ff | 6 | — | — | — | — | Δ | Δ | Δ | Δ |
| | | | IND8, Y | D2 | ff | 6 | — | — | — | — | Δ | Δ | Δ | Δ |
| | | | IND8, Z | E2 | ff | 6 | — | — | — | — | Δ | Δ | Δ | Δ |
| | | | IMM8 | F2 | ii | 2 | — | — | — | — | Δ | Δ | Δ | Δ |
| | | | IND16, X | 17C2 | gggg | 6 | — | — | — | — | Δ | Δ | Δ | Δ |
| | | | IND16, Y | 17D2 | gggg | 6 | — | — | — | — | Δ | Δ | Δ | Δ |
| | | | IND16, Z | 17E2 | gggg | 6 | — | — | — | — | Δ | Δ | Δ | Δ |
| | | | EXT | 17F2 | hh ll | 6 | — | — | — | — | Δ | Δ | Δ | Δ |
| | | | E, X | 27C2 | — | 6 | — | — | — | — | Δ | Δ | Δ | Δ |
| | | | E, Y | 27D2 | — | 6 | — | — | — | — | Δ | Δ | Δ | Δ |
| | | | E, Z | 27E2 | — | 6 | — | — | — | — | Δ | Δ | Δ | Δ |
| SBCD | Subtract with Carry from D | (D) - (M : M + 1) - C ⇒ D | IND8, X | 82 | ff | 6 | — | — | — | — | Δ | Δ | Δ | Δ |
| | | | IND8, Y | 92 | ff | 6 | — | — | — | — | Δ | Δ | Δ | Δ |
| | | | IND8, Z | A2 | ff | 6 | — | — | — | — | Δ | Δ | Δ | Δ |
| | | | IMM16 | 37B2 | jj kk | 4 | — | — | — | — | Δ | Δ | Δ | Δ |
| | | | IND16, X | 37C2 | gggg | 6 | — | — | — | — | Δ | Δ | Δ | Δ |
| | | | IND16, Y | 37D2 | gggg | 6 | — | — | — | — | Δ | Δ | Δ | Δ |
| | | | IND16, Z | 37E2 | gggg | 6 | — | — | — | — | Δ | Δ | Δ | Δ |
| | | | EXT | 37F2 | hh ll | 6 | — | — | — | — | Δ | Δ | Δ | Δ |
| | | | E, X | 2782 | — | 6 | — | — | — | — | Δ | Δ | Δ | Δ |
| | | | E, Y | 2792 | — | 6 | — | — | — | — | Δ | Δ | Δ | Δ |
| | | | E, Z | 27A2 | — | 6 | — | — | — | — | Δ | Δ | Δ | Δ |
| SBCE | Subtract with Carry from E | (E) - (M : M + 1) - C ⇒ E | IMM16 | 3732 | jj kk | 4 | — | — | — | — | Δ | Δ | Δ | Δ |
| | | | IND16, X | 3742 | gggg | 6 | — | — | — | — | Δ | Δ | Δ | Δ |
| | | | IND16, Y | 3752 | gggg | 6 | — | — | — | — | Δ | Δ | Δ | Δ |
| | | | IND16, Z | 3762 | gggg | 6 | — | — | — | — | Δ | Δ | Δ | Δ |
| EXT | 3772 | hh ll | 6 | — | — | — | — | Δ | Δ | Δ | Δ | | | |
| SDE | Subtract D from E | (E) - (D) ⇒ E | INH | 2779 | — | 2 | — | — | — | — | Δ | Δ | Δ | Δ |
| STAA | Store A | (A) ⇒ M | IND8, X | 4A | ff | 4 | — | — | — | — | Δ | Δ | 0 | — |
| | | | IND8, Y | 5A | ff | 4 | — | — | — | — | Δ | Δ | 0 | — |
| | | | IND8, Z | 6A | ff | 4 | — | — | — | — | Δ | Δ | 0 | — |
| | | | IND16, X | 174A | gggg | 6 | — | — | — | — | Δ | Δ | 0 | — |
| | | | IND16, Y | 175A | gggg | 6 | — | — | — | — | Δ | Δ | 0 | — |
| | | | IND16, Z | 176A | gggg | 6 | — | — | — | — | Δ | Δ | 0 | — |
| | | | EXT | 177A | hh ll | 6 | — | — | — | — | Δ | Δ | 0 | — |
| | | | E, X | 274A | — | 4 | — | — | — | — | Δ | Δ | 0 | — |
| | | | E, Y | 275A | — | 4 | — | — | — | — | Δ | Δ | 0 | — |
| E, Z | 276A | — | 4 | — | — | — | — | Δ | Δ | 0 | — | | | |

Freescale Semiconductor, Inc.

Table 4-2 Instruction Set Summary (Continued)

| Mnemonic | Operation | Description | Address | Instruction | | | Condition Codes | | | | | | | |
|----------|----------------------------|--|----------|-------------|--------|---------|-----------------|---|----|---|----|---|---|---|
| | | | | Mode | Opcode | Operand | Cycles | S | MV | H | EV | N | Z | V |
| STAB | Store B | (B) ⇒ M | IND8, X | CA | ff | 4 | — | — | — | — | Δ | Δ | 0 | — |
| | | | IND8, Y | DA | ff | 4 | | | | | | | | |
| | | | IND8, Z | EA | ff | 4 | | | | | | | | |
| | | | IND16, X | 17CA | gggg | 6 | | | | | | | | |
| | | | IND16, Y | 17DA | gggg | 6 | | | | | | | | |
| | | | IND16, Z | 17EA | gggg | 6 | | | | | | | | |
| | | | EXT | 17FA | hh ll | 6 | | | | | | | | |
| | | | E, X | 27CA | — | 4 | | | | | | | | |
| | | | E, Y | 27DA | — | 4 | | | | | | | | |
| | | | E, Z | 27EA | — | 4 | | | | | | | | |
| STD | Store D | (D) ⇒ M : M + 1 | IND8, X | 8A | ff | 4 | — | — | — | — | Δ | Δ | 0 | — |
| | | | IND8, Y | 9A | ff | 4 | | | | | | | | |
| | | | IND8, Z | AA | ff | 4 | | | | | | | | |
| | | | IND16, X | 37CA | gggg | 6 | | | | | | | | |
| | | | IND16, Y | 37DA | gggg | 6 | | | | | | | | |
| | | | IND16, Z | 37EA | gggg | 6 | | | | | | | | |
| | | | EXT | 37FA | hh ll | 6 | | | | | | | | |
| | | | E, X | 278A | — | 6 | | | | | | | | |
| | | | E, Y | 279A | — | 6 | | | | | | | | |
| | | | E, Z | 27AA | — | 6 | | | | | | | | |
| STE | Store E | (E) ⇒ M : M + 1 | IND16, X | 374A | gggg | 6 | — | — | — | — | Δ | Δ | 0 | — |
| | | | IND16, Y | 375A | gggg | 6 | | | | | | | | |
| | | | IND16, Z | 376A | gggg | 6 | | | | | | | | |
| | | | EXT | 377A | hh ll | 6 | | | | | | | | |
| STED | Store Concatenated D and E | (E) ⇒ M : M + 1 (D) ⇒ M + 2 : M + 3 | EXT | 2773 | hh ll | 8 | — | — | — | — | — | — | — | |
| STS | Store Stack Pointer | (SP) ⇒ M : M + 1 | IND8, X | 8F | ff | 4 | — | — | — | — | Δ | Δ | 0 | — |
| | | | IND8, Y | 9F | ff | 4 | | | | | | | | |
| | | | IND8, Z | AF | ff | 4 | | | | | | | | |
| | | | IND16, X | 178F | gggg | 6 | | | | | | | | |
| | | | IND16, Y | 179F | gggg | 6 | | | | | | | | |
| | | | IND16, Z | 17AF | gggg | 6 | | | | | | | | |
| | | | EXT | 17BF | hh ll | 6 | | | | | | | | |
| STX | Store IX | (IX) ⇒ M : M + 1 | IND8, X | 8C | ff | 4 | — | — | — | — | Δ | Δ | 0 | — |
| | | | IND8, Y | 9C | ff | 4 | | | | | | | | |
| | | | IND8, Z | AC | ff | 4 | | | | | | | | |
| | | | IND16, X | 178C | gggg | 6 | | | | | | | | |
| | | | IND16, Y | 179C | gggg | 6 | | | | | | | | |
| | | | IND16, Z | 17AC | gggg | 6 | | | | | | | | |
| | | | EXT | 17BC | hh ll | 6 | | | | | | | | |
| STY | Store IY | (IY) ⇒ M : M + 1 | IND8, X | 8D | ff | 4 | — | — | — | — | Δ | Δ | 0 | — |
| | | | IND8, Y | 9D | ff | 4 | | | | | | | | |
| | | | IND8, Z | AD | ff | 4 | | | | | | | | |
| | | | IND16, X | 178D | gggg | 6 | | | | | | | | |
| | | | IND16, Y | 179D | gggg | 6 | | | | | | | | |
| | | | IND16, Z | 17AD | gggg | 6 | | | | | | | | |
| | | | EXT | 17BD | hh ll | 6 | | | | | | | | |
| STZ | Store Z | (IZ) ⇒ M : M + 1 | IND8, X | 8E | ff | 4 | — | — | — | — | Δ | Δ | 0 | — |
| | | | IND8, Y | 9E | ff | 4 | | | | | | | | |
| | | | IND8, Z | AE | ff | 4 | | | | | | | | |
| | | | IND16, X | 178E | gggg | 6 | | | | | | | | |
| | | | IND16, Y | 179E | gggg | 6 | | | | | | | | |
| | | | IND16, Z | 17AE | gggg | 6 | | | | | | | | |
| | | | EXT | 17BE | hh ll | 6 | | | | | | | | |
| SUBA | Subtract from A | (A) - (M) ⇒ A | IND8, X | 40 | ff | 6 | — | — | — | — | Δ | Δ | Δ | Δ |
| | | | IND8, Y | 50 | ff | 6 | | | | | | | | |
| | | | IND8, Z | 60 | ff | 6 | | | | | | | | |
| | | | IMM8 | 70 | ii | 2 | | | | | | | | |
| | | | IND16, X | 1740 | gggg | 6 | | | | | | | | |
| | | | IND16, Y | 1750 | gggg | 6 | | | | | | | | |
| | | | IND16, Z | 1760 | gggg | 6 | | | | | | | | |
| | | | EXT | 1770 | hh ll | 6 | | | | | | | | |
| | | | E, X | 2740 | — | 6 | | | | | | | | |
| | | | E, Z | 2760 | — | 6 | | | | | | | | |

Freescale Semiconductor, Inc.

Table 4-2 Instruction Set Summary (Continued)

| Mnemonic | Operation | Description | Address | Instruction | | | Condition Codes | | | | | | | |
|----------|---|--|----------|-------------|--------|---------|-----------------|---|----|---|----|---|---|---|
| | | | | Mode | Opcode | Operand | Cycles | S | MV | H | EV | N | Z | V |
| SUBB | Subtract from B | $(B) - (M) \Rightarrow B$ | IND8, X | C0 | ff | 6 | — | — | — | — | Δ | Δ | Δ | Δ |
| | | | IND8, Y | D0 | ff | 6 | | | | | | | | |
| | | | IND8, Z | E0 | ff | 6 | | | | | | | | |
| | | | IMM8 | F0 | ii | 2 | | | | | | | | |
| | | | IND16, X | 17C0 | gggg | 6 | | | | | | | | |
| | | | IND16, Y | 17D0 | gggg | 6 | | | | | | | | |
| | | | IND16, Z | 17E0 | gggg | 6 | | | | | | | | |
| | | | EXT | 17F0 | hh ll | 6 | | | | | | | | |
| | | | E, X | 27C0 | — | 6 | | | | | | | | |
| | | | E, Y | 27D0 | — | 6 | | | | | | | | |
| E, Z | 27E0 | — | 6 | | | | | | | | | | | |
| SUBD | Subtract from D | $(D) - (M : M + 1) \Rightarrow D$ | IND8, X | 80 | ff | 6 | — | — | — | — | Δ | Δ | Δ | Δ |
| | | | IND8, Y | 90 | ff | 6 | | | | | | | | |
| | | | IND8, Z | A0 | ff | 6 | | | | | | | | |
| | | | IMM16 | 37B0 | jj kk | 4 | | | | | | | | |
| | | | IND16, X | 37C0 | gggg | 6 | | | | | | | | |
| | | | IND16, Y | 37D0 | gggg | 6 | | | | | | | | |
| | | | IND16, Z | 37E0 | gggg | 6 | | | | | | | | |
| | | | EXT | 37F0 | hh ll | 6 | | | | | | | | |
| | | | E, X | 2780 | — | 6 | | | | | | | | |
| | | | E, Y | 2790 | — | 6 | | | | | | | | |
| E, Z | 27A0 | — | 6 | | | | | | | | | | | |
| SUBE | Subtract from E | $(E) - (M : M + 1) \Rightarrow E$ | IMM16 | 3730 | jj kk | 4 | — | — | — | — | Δ | Δ | Δ | Δ |
| | | | IND16, X | 3740 | gggg | 6 | | | | | | | | |
| | | | IND16, Y | 3750 | gggg | 6 | | | | | | | | |
| | | | IND16, Z | 3760 | gggg | 6 | | | | | | | | |
| | | | EXT | 3770 | hh ll | 6 | | | | | | | | |
| SWI | Software Interrupt | $(PK : PC) + \$0002 \Rightarrow PK : PC$ Push (PC) $(SK : SP) - \$0002 \Rightarrow SK : SP$ Push (CCR) $(SK : SP) - \$0002 \Rightarrow SK : SP$ $\$0 \Rightarrow PK$ SWI Vector $\Rightarrow PC$ | INH | 3720 | — | 16 | — | — | — | — | — | — | — | |
| SXT | Sign Extend B into A | If B7 = 1 then $\$FF \Rightarrow A$ else $\$00 \Rightarrow A$ | INH | 27F8 | — | 2 | — | — | — | — | Δ | Δ | — | — |
| TAB | Transfer A to B | $(A) \Rightarrow B$ | INH | 3717 | — | 2 | — | — | — | — | Δ | Δ | 0 | — |
| TAP | Transfer A to CCR | $(A[7:0]) \Rightarrow CCR[15:8]$ | INH | 37FD | — | 4 | Δ | Δ | Δ | Δ | Δ | Δ | Δ | Δ |
| TBA | Transfer B to A | $(B) \Rightarrow A$ | INH | 3707 | — | 2 | — | — | — | — | Δ | Δ | 0 | — |
| TB EK | Transfer B to EK | $(B[3:0]) \Rightarrow EK$ | INH | 27FA | — | 2 | — | — | — | — | — | — | — | — |
| TBSK | Transfer B to SK | $(B[3:0]) \Rightarrow SK$ | INH | 379F | — | 2 | — | — | — | — | — | — | — | — |
| TBXK | Transfer B to XK | $(B[3:0]) \Rightarrow XK$ | INH | 379C | — | 2 | — | — | — | — | — | — | — | — |
| TBYK | Transfer B to YK | $(B[3:0]) \Rightarrow YK$ | INH | 379D | — | 2 | — | — | — | — | — | — | — | — |
| TBZK | Transfer B to ZK | $(B[3:0]) \Rightarrow ZK$ | INH | 379E | — | 2 | — | — | — | — | — | — | — | — |
| TDE | Transfer D to E | $(D) \Rightarrow E$ | INH | 277B | — | 2 | — | — | — | — | Δ | Δ | 0 | — |
| TDMSK | Transfer D to XMSK : YMSK | $(D[15:8]) \Rightarrow X \text{ MASK}$ $(D[7:0]) \Rightarrow Y \text{ MASK}$ | INH | 372F | — | 2 | — | — | — | — | — | — | — | — |
| TDP | Transfer D to CCR | $(D) \Rightarrow CCR[15:4]$ | INH | 372D | — | 4 | Δ | Δ | Δ | Δ | Δ | Δ | Δ | Δ |
| TED | Transfer E to D | $(E) \Rightarrow D$ | INH | 27FB | — | 2 | — | — | — | — | Δ | Δ | 0 | — |
| TEDM | Transfer E and D to AM[31:0] Sign Extend AM | $(E) \Rightarrow AM[31:16]$ $(D) \Rightarrow AM[15:0]$ $AM[35:32] = AM31$ | INH | 27B1 | — | 4 | — | 0 | — | 0 | — | — | — | — |
| TEKB | Transfer EK to B | $(EK) \Rightarrow B[3:0]$ $\$0 \Rightarrow B[7:4]$ | INH | 27BB | — | 2 | — | — | — | — | — | — | — | — |
| TEM | Transfer E to AM[31:16] Sign Extend AM Clear AM LSB | $(E) \Rightarrow AM[31:16]$ $\$00 \Rightarrow AM[15:0]$ $AM[35:32] = AM31$ | INH | 27B2 | — | 4 | — | 0 | — | 0 | — | — | — | — |
| TMER | Transfer Rounded AM to E | Rounded (AM) \Rightarrow Temp If $(SM \cdot (EV \neq MV))$ then Saturation Value $\Rightarrow E$ else $Temp[31:16] \Rightarrow E$ | INH | 27B4 | — | 6 | — | Δ | — | Δ | Δ | Δ | — | — |

Freescale Semiconductor, Inc.

Table 4-2 Instruction Set Summary (Continued)

| Mnemonic | Operation | Description | Address | Instruction | | | Condition Codes | | | | | | | | | | | | |
|----------|-----------------------------|---|--|--|---|---------------------------------|-----------------|---|----|---|----|---|---|---|---|---|---|---|---|
| | | | | Mode | Opcode | Operand | Cycles | S | MV | H | EV | N | Z | V | C | | | | |
| TMET | Transfer Truncated AM to E | If (SM • (EV + MV)) then Saturation Value ⇒ E else AM[31:16] ⇒ E | INH | 27B5 | — | 2 | — | — | — | — | — | — | — | — | — | — | — | — | |
| TMXED | Transfer AM to IX : E : D | AM[35:32] ⇒ IX[3:0] AM35 ⇒ IX[15:4] AM[31:16] ⇒ E AM[15:0] ⇒ D | INH | 27B3 | — | 6 | — | — | — | — | — | — | — | — | — | — | — | — | |
| TPA | Transfer CCR to A | (CCR[15:8]) ⇒ A | INH | 37FC | — | 2 | — | — | — | — | — | — | — | — | — | — | — | — | |
| TPD | Transfer CCR to D | (CCR) ⇒ D | INH | 372C | — | 2 | — | — | — | — | — | — | — | — | — | — | — | — | |
| TSKB | Transfer SK to B | (SK) ⇒ B[3:0] \$0 ⇒ B[7:4] | INH | 37AF | — | 2 | — | — | — | — | — | — | — | — | — | — | — | — | |
| TST | Test Byte Zero or Minus | (M) – \$00 | IND8, X IND8, Y IND8, Z IND16, X IND16, Y IND16, Z EXT | 06 16 26 1706 1716 1726 1736 | ff ff ff gggg gggg gggg hh ll | 6 6 6 6 6 6 6 | — | — | — | — | — | — | — | — | — | — | — | — | — |
| TSTA | Test A for Zero or Minus | (A) – \$00 | INH | 3706 | — | 2 | — | — | — | — | — | — | — | — | — | — | — | — | — |
| TSTB | Test B for Zero or Minus | (B) – \$00 | INH | 3716 | — | 2 | — | — | — | — | — | — | — | — | — | — | — | — | — |
| TSTD | Test D for Zero or Minus | (D) – \$0000 | INH | 27F6 | — | 2 | — | — | — | — | — | — | — | — | — | — | — | — | — |
| TSTE | Test E for Zero or Minus | (E) – \$0000 | INH | 2776 | — | 2 | — | — | — | — | — | — | — | — | — | — | — | — | — |
| TSTW | Test for Zero or Minus Word | (M : M + 1) – \$0000 | IND16, X IND16, Y IND16, Z EXT | 2706 2716 2726 2736 | gggg gggg gggg hh ll | 6 6 6 6 | — | — | — | — | — | — | — | — | — | — | — | — | — |
| TSX | Transfer SP to X | (SK : SP) + \$0002 ⇒ XK : IX | INH | 274F | — | 2 | — | — | — | — | — | — | — | — | — | — | — | — | — |
| TSY | Transfer SP to Y | (SK : SP) + \$0002 ⇒ YK : IY | INH | 275F | — | 2 | — | — | — | — | — | — | — | — | — | — | — | — | — |
| TSZ | Transfer SP to Z | (SK : SP) + \$0002 ⇒ ZK : IZ | INH | 276F | — | 2 | — | — | — | — | — | — | — | — | — | — | — | — | — |
| TXKB | Transfer XK to B | (XK) ⇒ B[3:0] \$0 ⇒ B[7:4] | INH | 37AC | — | 2 | — | — | — | — | — | — | — | — | — | — | — | — | — |
| TXS | Transfer X to SP | (XK : IX) – \$0002 ⇒ SK : SP | INH | 374E | — | 2 | — | — | — | — | — | — | — | — | — | — | — | — | — |
| TXY | Transfer X to Y | (XK : IX) ⇒ YK : IY | INH | 275C | — | 2 | — | — | — | — | — | — | — | — | — | — | — | — | — |
| TXZ | Transfer X to Z | (XK : IX) ⇒ ZK : IZ | INH | 276C | — | 2 | — | — | — | — | — | — | — | — | — | — | — | — | — |
| TYKB | Transfer YK to B | (YK) ⇒ B[3:0] \$0 ⇒ B[7:4] | INH | 37AD | — | 2 | — | — | — | — | — | — | — | — | — | — | — | — | — |
| TYS | Transfer Y to SP | (YK : IY) – \$0002 ⇒ SK : SP | INH | 375E | — | 2 | — | — | — | — | — | — | — | — | — | — | — | — | — |
| TYX | Transfer Y to X | (YK : IY) ⇒ XK : IX | INH | 274D | — | 2 | — | — | — | — | — | — | — | — | — | — | — | — | — |
| TYZ | Transfer Y to Z | (YK : IY) ⇒ ZK : IZ | INH | 276D | — | 2 | — | — | — | — | — | — | — | — | — | — | — | — | — |
| TZKB | Transfer ZK to B | (ZK) ⇒ B[3:0] \$0 ⇒ B[7:4] | INH | 37AE | — | 2 | — | — | — | — | — | — | — | — | — | — | — | — | — |
| TZS | Transfer Z to SP | (ZK : IZ) – \$0002 ⇒ SK : SP | INH | 376E | — | 2 | — | — | — | — | — | — | — | — | — | — | — | — | — |
| TZX | Transfer Z to X | (ZK : IZ) ⇒ XK : IX | INH | 274E | — | 2 | — | — | — | — | — | — | — | — | — | — | — | — | — |
| TZY | Transfer Z to Y | (ZK : IZ) ⇒ YK : IY | INH | 275E | — | 2 | — | — | — | — | — | — | — | — | — | — | — | — | — |
| WAI | Wait for Interrupt | WAIT | INH | 27F3 | — | 8 | — | — | — | — | — | — | — | — | — | — | — | — | — |
| XGAB | Exchange A with B | (A) ⇔ (B) | INH | 371A | — | 2 | — | — | — | — | — | — | — | — | — | — | — | — | — |
| XGDE | Exchange D with E | (D) ⇔ (E) | INH | 277A | — | 2 | — | — | — | — | — | — | — | — | — | — | — | — | — |
| XGDX | Exchange D with IX | (D) ⇔ (IX) | INH | 37CC | — | 2 | — | — | — | — | — | — | — | — | — | — | — | — | — |

Freescale Semiconductor, Inc.

Table 4-2 Instruction Set Summary (Continued)

| Mnemonic | Operation | Description | Address | Instruction | | | Condition Codes | | | | | | | | | |
|----------|--------------------|-------------|---------|-------------|--------|---------|-----------------|---|----|---|----|---|---|---|---|---|
| | | | | Mode | Opcode | Operand | Cycles | S | MV | H | EV | N | Z | V | C | |
| XGDY | Exchange D with IY | (D) ↔ (IY) | INH | 37DC | — | 2 | — | — | — | — | — | — | — | — | — | — |
| XGDZ | Exchange D with IZ | (D) ↔ (IZ) | INH | 37EC | — | 2 | — | — | — | — | — | — | — | — | — | — |
| XGEX | Exchange E with IX | (E) ↔ (IX) | INH | 374C | — | 2 | — | — | — | — | — | — | — | — | — | — |
| XGEY | Exchange E with IY | (E) ↔ (IY) | INH | 375C | — | 2 | — | — | — | — | — | — | — | — | — | — |
| XGEZ | Exchange E with IZ | (E) ↔ (IZ) | INH | 376C | — | 2 | — | — | — | — | — | — | — | — | — | — |

NOTES:

1. CCR[15:4] change according to the results of the operation. The PK field is not affected.
2. Cycle times for conditional branches are shown in “taken, not taken” order.
3. CCR[15:0] change according to the copy of the CCR pulled from the stack.
4. PK field changes according to the state pulled from the stack. The rest of the CCR is not affected.

Table 4-3 Instruction Set Abbreviations and Symbols

| | | | | | |
|------|---|--|-----------|---|---------------------------------------|
| A | — | Accumulator A | X | — | Register used in operation |
| AM | — | Accumulator M | M | — | Address of one memory byte |
| B | — | Accumulator B | M + 1 | — | Address of byte at M + \$0001 |
| CCR | — | Condition code register | M : M + 1 | — | Address of one memory word |
| D | — | Accumulator D | (...)X | — | Contents of address pointed to by IX |
| E | — | Accumulator E | (...)Y | — | Contents of address pointed to by IY |
| EK | — | Extended addressing extension field | (...)Z | — | Contents of address pointed to by IZ |
| IR | — | MAC multiplicand register | E, X | — | IX with E offset |
| HR | — | MAC multiplier register | E, Y | — | IY with E offset |
| IX | — | Index register X | E, Z | — | IZ with E offset |
| IY | — | Index register Y | EXT | — | Extended |
| IZ | — | Index register Z | EXT20 | — | 20-bit extended |
| K | — | Address extension register | IMM8 | — | 8-bit immediate |
| PC | — | Program counter | IMM16 | — | 16-bit immediate |
| PK | — | Program counter extension field | IND8, X | — | IX with unsigned 8-bit offset |
| SK | — | Stack pointer extension field | IND8, Y | — | IY with unsigned 8-bit offset |
| SL | — | Multiply and accumulate sign latch | IND8, Z | — | IZ with unsigned 8-bit offset |
| SP | — | Stack pointer | IND16, X | — | IX with signed 16-bit offset |
| XK | — | Index register X extension field | IND16, Y | — | IY with signed 16-bit offset |
| YK | — | Index register Y extension field | IND16, Z | — | IZ with signed 16-bit offset |
| ZK | — | Index register Z extension field | IND20, X | — | IX with signed 20-bit offset |
| XMSK | — | Modulo addressing index register X mask | IND20, Y | — | IY with signed 20-bit offset |
| YMSK | — | Modulo addressing index register Y mask | IND20, Z | — | IZ with signed 20-bit offset |
| S | — | Stop disable control bit | INH | — | Inherent |
| MV | — | AM overflow indicator | IXP | — | Post-modified indexed |
| H | — | Half carry indicator | REL8 | — | 8-bit relative |
| EV | — | AM extended overflow indicator | REL16 | — | 16-bit relative |
| N | — | Negative indicator | b | — | 4-bit address extension |
| Z | — | Zero indicator | ff | — | 8-bit unsigned offset |
| V | — | Two's complement overflow indicator | gggg | — | 16-bit signed offset |
| C | — | Carry/borrow indicator | hh | — | High byte of 16-bit extended address |
| IP | — | Interrupt priority field | ii | — | 8-bit immediate data |
| SM | — | Saturation mode control bit | jj | — | High byte of 16-bit immediate data |
| PK | — | Program counter extension field | kk | — | Low byte of 16-bit immediate data |
| — | — | Bit not affected | ll | — | Low byte of 16-bit extended address |
| Δ | — | Bit changes as specified | mm | — | 8-bit mask |
| 0 | — | Bit cleared | mmmm | — | 16-bit mask |
| 1 | — | Bit set | rr | — | 8-bit unsigned relative offset |
| M | — | Memory location used in operation | rrrr | — | 16-bit signed relative offset |
| R | — | Result of operation | xo | — | MAC index register X offset |
| S | — | Source data | yo | — | MAC index register Y offset |
| | | | z | — | 4-bit zero extension |
| + | — | Addition | • | — | AND |
| − | — | Subtraction or negation (two's complement) | ⊕ | — | Inclusive OR (OR) |
| * | — | Multiplication | ⊕ | — | Exclusive OR (EOR) |
| / | — | Division | NOT | — | Complementation |
| > | — | Greater | : | — | Concatenation |
| < | — | Less | ⇒ | — | Transferred |
| = | — | Equal | ↔ | — | Exchanged |
| ≥ | — | Equal or greater | ± | — | Sign bit; also used to show tolerance |
| ≤ | — | Equal or less | « | — | Sign extension |
| ≠ | — | Not equal | % | — | Binary value |
| | | | \$ | — | Hexadecimal value |

4.8 Comparison of CPU16 and M68HC11 CPU Instruction Sets

Most M68HC11 CPU instructions are a source-code compatible subset of the CPU16 instruction set. However, certain M68HC11 CPU instructions have been replaced by functionally equivalent CPU16 instructions, and some CPU16 instructions with the same mnemonics as M68HC11 CPU instructions operate differently.

Table 4-4 shows M68HC11 CPU instructions that either have been replaced by CPU16 instructions or that operate differently on the CPU16. Replacement instructions are not identical to M68HC11 CPU instructions. M68HC11 code must be altered to establish proper preconditions.

All CPU16 instruction execution times differ from those of the M68HC11. *Motorola Programming Note M68HC16PN01/D, Transporting M68HC11 Code to M68HC16 Devices*, contains detailed information about differences between the two instruction sets. Refer to the *CPU16 Reference Manual (CPU16RM/AD)* for further details about CPU operations.

Freescale Semiconductor, Inc.

Table 4-4 CPU16 Implementation of M68HC11 CPU Instructions

| M68HC11 Instruction | CPU16 Implementation |
|---------------------|--|
| BHS | BCC only |
| BLO | BCS only |
| BSR | Generates a different stack frame |
| CLC | Replaced by ANDP |
| CLI | Replaced by ANDP |
| CLV | Replaced by ANDP |
| DES | Replaced by AIS |
| DEX | Replaced by AIX |
| DEY | Replaced by AIY |
| INS | Replaced by AIS |
| INX | Replaced by AIX |
| INY | Replaced by AIY |
| JMP | IND8 and EXT addressing modes replaced by IND20 and EXT20 modes |
| JSR | IND8 and EXT addressing modes replaced by IND20 and EXT20 modes Generates a different stack frame |
| LSL, LSLD | Use ASL instructions ¹ |
| PSHX | Replaced by PSHM |
| PSHY | Replaced by PSHM |
| PULX | Replaced by PULM |
| PULY | Replaced by PULM |
| RTI | Reloads PC and CCR only |
| RTS | Uses two-word stack frame |
| SEC | Replaced by ORP |
| SEI | Replaced by ORP |
| SEV | Replaced by ORP |
| STOP | Replaced by LPSTOP |
| TAP | CPU16 CCR bits differ from M68HC11 CPU16 interrupt priority scheme differs from M68HC11 |
| TPA | CPU16 CCR bits differ from M68HC11 CPU16 interrupt priority scheme differs from M68HC11 |
| TSX | Adds 2 to SK : SP before transfer to XK : IX |
| TSY | Adds 2 to SK : SP before transfer to YK : IY |
| TXS | Subtracts 2 from XK : IX before transfer to SK : SP |
| TXY | Transfers XK field to YK field |
| TYS | Subtracts 2 from YK : IY before transfer to SK : SP |
| TYX | Transfers YK field to XK field |
| WAI | Waits indefinitely for interrupt or reset Generates a different stack frame |

NOTES:

1. Motorola assemblers automatically translate ASL mnemonics.

4.9 Instruction Format

CPU16 instructions consist of an 8-bit opcode that can be preceded by an 8-bit prebyte and followed by one or more operands.

Opcodes are mapped in four 256-instruction pages. Page 0 opcodes stand alone. Page 1, 2, and 3 opcodes are pointed to by a prebyte code on page 0. The prebytes are \$17 (page 1), \$27 (page 2), and \$37 (page 3).

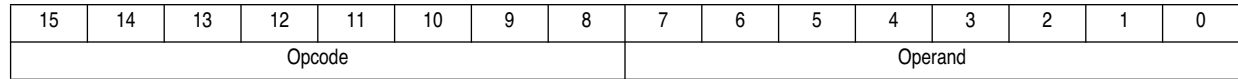
Operands can be four bits, eight bits or sixteen bits in length. Since the CPU16 fetches 16-bit instruction words from even-byte boundaries, each instruction must contain an even number of bytes.

Operands are organized as bytes, words, or a combination of bytes and words. Operands of four bits are either zero-extended to eight bits, or packed two to a byte. The largest instructions are six bytes in length. Size, order, and function of operands are evaluated when an instruction is decoded.

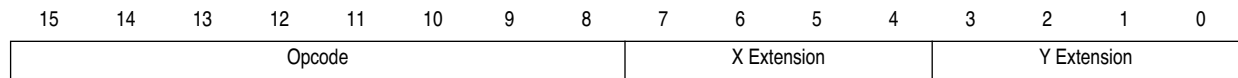
A page 0 opcode and an 8-bit operand can be fetched simultaneously. Instructions that use 8-bit indexed, immediate, and relative addressing modes have this form. Code written with these instructions is very compact.

Figure 4-4 shows basic CPU16 instruction formats.

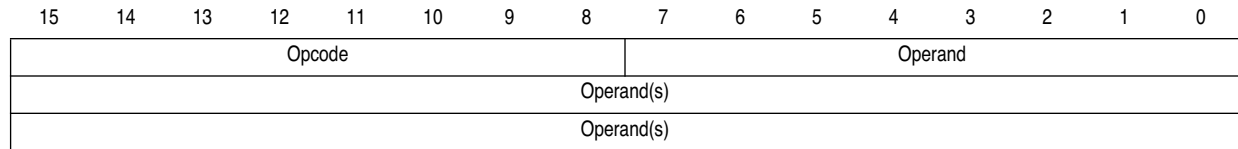
8-Bit Opcode with 8-Bit Operand



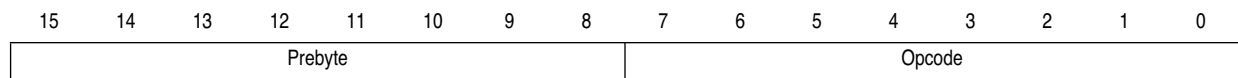
8-Bit Opcode with 4-Bit Index Extensions



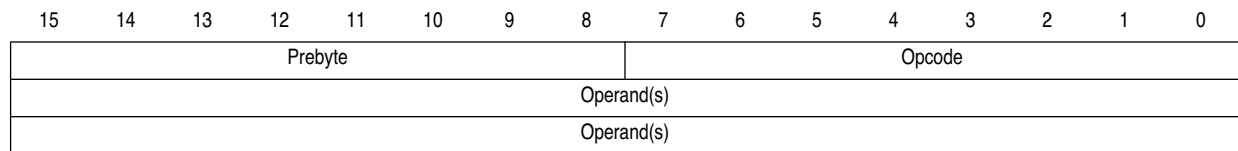
8-Bit Opcode, Argument(s)



8-Bit Opcode with 8-Bit Prebyte, No Argument



8-Bit Opcode with 8-Bit Prebyte, Argument(s)



8-Bit Opcode with 20-Bit Argument

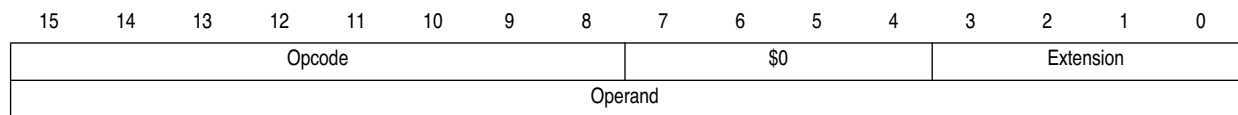


Figure 4-4 Basic Instruction Formats

4.10 Execution Model

This description builds up a conceptual model of the mechanism the CPU16 uses to fetch and execute instructions. The functional divisions in the model do not necessarily correspond to physical subunits of the microprocessor.

As shown in **Figure 4-5**, there are three functional blocks involved in fetching, decoding, and executing instructions. These are the microsequencer, the instruction pipeline, and the execution unit. These elements function concurrently. All three may be active at any given time.

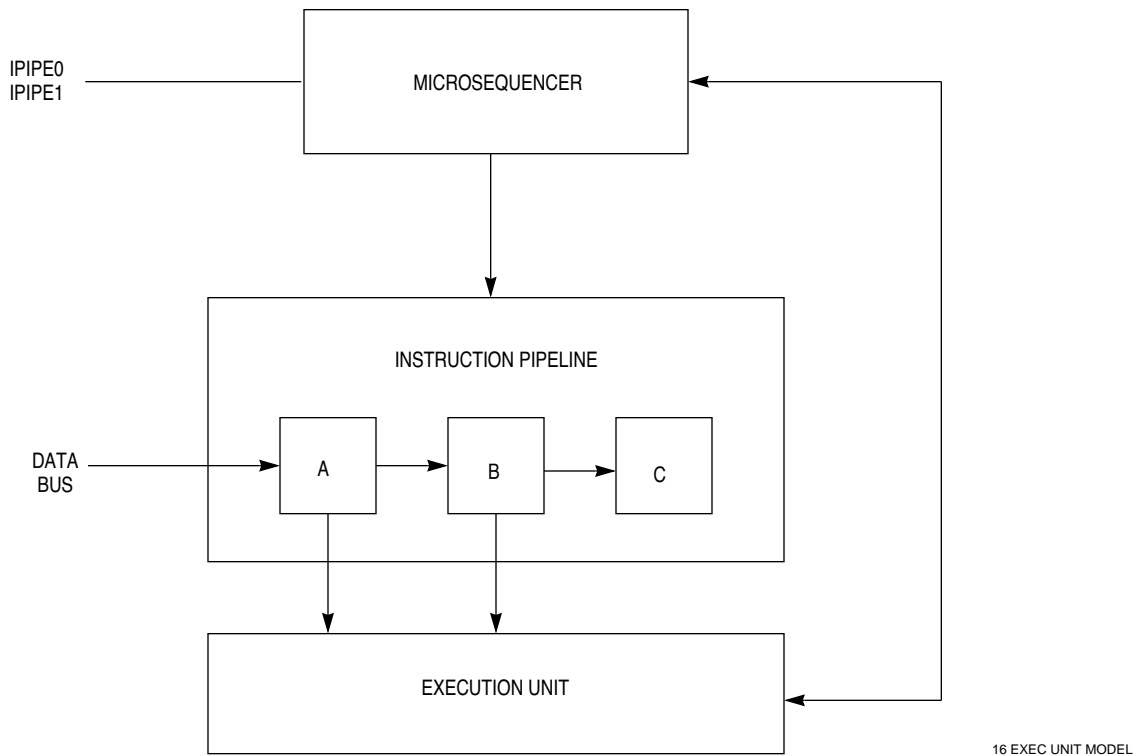


Figure 4-5 Instruction Execution Model

4.10.1 Microsequencer

The microsequencer controls the order in which instructions are fetched, advanced through the pipeline, and executed. It increments the program counter and generates multiplexed external tracking signals IPIPE0 and IPIPE1 from internal signals that control execution sequence.

4.10.2 Instruction Pipeline

The pipeline is a three stage first in, first out buffer (FIFO) that holds instructions while they are decoded and executed. Depending upon instruction size, as many as three instructions can be in the pipeline at one time (single-word instructions, one held in stage C, one being executed in stage B, and one latched in stage A).

4.10.3 Execution Unit

The execution unit evaluates opcodes, interfaces with the microsequencer to advance instructions through the pipeline, and performs instruction operations.

4.11 Execution Process

Fetches opcodes are latched into stage A, then advanced to stage B. Opcodes are evaluated in stage B. The execution unit can access operands in either stage A or stage B (stage B accesses are limited to 8-bit operands). When execution is complete, opcodes are moved from stage B to stage C, where they remain until the next instruction is complete.

A prefetch mechanism in the microsequencer reads instruction words from memory and increments the program counter. When instruction execution begins, the program counter points to an address six bytes after the address of the first word of the instruction being executed.

The number of machine cycles necessary to complete an execution sequence varies according to the complexity of the instruction. Refer to the *CPU16 Reference Manual* (CPU16RM/AD) for details.

4.11.1 Changes in Program Flow

When program flow changes, instructions are fetched from a new address. Before execution can begin at the new address, instructions and operands from the previous instruction stream must be removed from the pipeline. If a change in flow is temporary, a return address must be stored, so that execution of the original instruction stream can resume after the change in flow.

When an instruction that causes a change in program flow executes, PK : PC point to the address of the first word of the instruction + \$0006. During execution of the instruction, PK : PC is loaded with the address of the first instruction word in the new instruction stream. However, stages A and B still contain words from the old instruction stream. Extra processing steps must be performed before execution from the new instruction stream.

4.12 Instruction Timing

The execution time of CPU16 instructions has three components:

- Bus cycles required to prefetch the next instruction
- Bus cycles required for operand accesses
- Time required for internal operations

A bus cycle requires a minimum of two system clock periods. If the access time of a memory device is greater than two clock periods, bus cycles are longer. However, all bus cycles must be an integer number of clock periods. CPU16 internal operations are always an integer multiple of two clock periods.

Dynamic bus sizing affects bus cycle time. The integration module manages all accesses. Refer to SECTION 5 SINGLE-CHIP INTEGRATION MODULE 2 for more information.

The CPU16 does not execute more than one instruction at a time. The total time required to execute a particular instruction stream can be calculated by summing the individual execution times of each instruction in the stream.

Total execution time is calculated using the expression:

$$(CL_T) = (CL_P) + (CL_O) + (CL_I)$$

Where:

(CL_T) = Total clock periods per instruction

(CL_I) = Clock periods used for internal operation

(CL_P) = Clock periods used for program access

(CL_O) = Clock periods used for operand access

Refer to the *CPU16 Reference Manual (CPU16RM/AD)* for more information on this topic.

4.13 Exceptions

An exception is an event that preempts normal instruction processing. Exception processing makes the transition from normal instruction execution to execution of a routine that deals with the exception.

Each exception has an assigned vector that points to an associated handler routine. Exception processing includes all operations required to transfer control to a handler routine, but does not include execution of the handler routine itself. Keep the distinction between exception processing and execution of an exception handler in mind while reading this section.

4.13.1 Exception Vectors

An exception vector is the address of a routine that handles an exception. Exception vectors are contained in a data structure called the exception vector table, which is located in the first 512 bytes of bank 0. Refer to **Table 4-5** for the exception vector table.

All vectors except the reset vector consist of one word and reside in data space. The reset vector consists of four words that reside in program space. Refer to **SECTION 5 SINGLE-CHIP INTEGRATION MODULE 2** for information concerning address space types and the function code outputs. There are 52 predefined or reserved vectors, and 200 user-defined vectors.

Each vector is assigned an 8-bit number. Vector numbers for some exceptions are generated by external devices; others are supplied by the processor. There is a direct mapping of vector number to vector table address. The processor left shifts the vector number one place (multiplies by two) to convert it to an address.

Table 4-5 Exception Vector Table

| Vector Number | Vector Address | Address Space | Type of Exception |
|---------------|----------------|---------------|----------------------------------|
| 0 | 0000 | P | Reset — Initial ZK, SK, and PK |
| | 0002 | P | Reset — Initial PC |
| | 0004 | P | Reset — Initial SP |
| | 0006 | P | Reset — Initial IZ (Direct Page) |
| 4 | 0008 | D | Breakpoint |
| 5 | 000A | D | Bus Error |
| 6 | 000C | D | Software Interrupt |
| 7 | 000E | D | Illegal Instruction |
| 8 | 0010 | D | Division by Zero |
| 9 – E | 0012 – 001C | D | Unassigned, Reserved |
| F | 001E | D | Uninitialized Interrupt |
| 10 | 0020 | D | Unassigned, Reserved |
| 11 | 0022 | D | Level 1 Interrupt Autovector |
| 12 | 0024 | D | Level 2 Interrupt Autovector |
| 13 | 0026 | D | Level 3 Interrupt Autovector |
| 14 | 0028 | D | Level 4 Interrupt Autovector |
| 15 | 002A | D | Level 5 Interrupt Autovector |
| 16 | 002C | D | Level 6 Interrupt Autovector |
| 17 | 002E | D | Level 7 Interrupt Autovector |
| 18 | 0030 | D | Spurious Interrupt |
| 19 – 37 | 0032 – 006E | D | Unassigned, Reserved |
| 38 – FF | 0070 – 01FE | D | User-Defined Interrupts |

4.13.2 Exception Stack Frame

During exception processing, the contents of the program counter and condition code register are stacked at a location pointed to by SK:SP. Unless it is altered during exception processing, the stacked PK:PC value is the address of the next instruction in the current instruction stream, plus \$0006. **Figure 4-6** shows the exception stack frame.

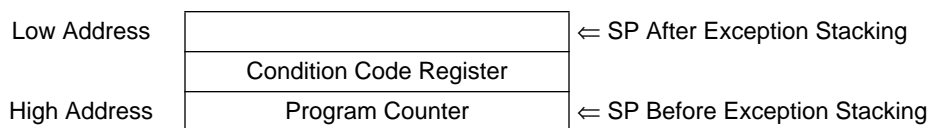


Figure 4-6 Exception Stack Frame Format

4.13.3 Exception Processing Sequence

Exception processing is performed in four phases. Priority of all pending exceptions is evaluated and the highest priority exception is processed first. Processor state is stacked, then the CCR PK extension field is cleared. An exception vector number is acquired and converted to a vector address. The content of the vector address is loaded into the PC and the processor jumps to the exception handler routine.

There are variations within each phase for differing types of exceptions. However, all vectors except RESET are 16-bit addresses, and the PK field is cleared during exception processing. Consequently, exception handlers must be located within bank 0 or vectors must point to a jump table in bank 0.

4.13.4 Types of Exceptions

Exceptions can be either internally or externally generated. External exceptions, which are defined as asynchronous, include interrupts, bus errors, breakpoints, and resets. Internal exceptions, which are defined as synchronous, include the software interrupt (SWI) instruction, the background (BGND) instruction, illegal instruction exceptions, and the divide-by-zero exception.

4.13.4.1 Asynchronous Exceptions

Asynchronous exceptions occur without reference to CPU16 or IMB clocks, but exception processing is synchronized. For all asynchronous exceptions but RESET, exception processing begins at the first instruction boundary following recognition of an exception. Refer to 5.8.1 Interrupt Exception Processing for more information concerning asynchronous exceptions.

Because of pipelining, the stacked return PK : PC value for all asynchronous exceptions, other than reset, is equal to the address of the next instruction in the current instruction stream plus \$0006. The RTI instruction, which must terminate all exception handler routines, subtracts \$0006 from the stacked value to resume execution of the interrupted instruction stream.

4.13.4.2 Synchronous Exceptions

Synchronous exception processing is part of an instruction definition. Exception processing for synchronous exceptions is always completed, and the first instruction of the handler routine is always executed, before interrupts are detected.

Because of pipelining, the value of PK : PC at the time a synchronous exception executes is equal to the address of the instruction that causes the exception plus \$0006. Because RTI always subtracts \$0006 upon return, the stacked PK : PC must be adjusted by the instruction that caused the exception so that execution resumes with the following instruction. For this reason, \$0002 is added to the PK : PC value before it is stacked.

4.13.5 Multiple Exceptions

Each exception has a hardware priority based upon its relative importance to system operation. Asynchronous exceptions have higher priorities than synchronous exceptions. Exception processing for multiple exceptions is completed by priority, from highest to lowest. Priority governs the order in which exception processing occurs, not the order in which exception handlers are executed.

Unless a bus error, a breakpoint, or a reset occurs during exception processing, the first instruction of all exception handler routines is guaranteed to execute before another exception is processed. Because interrupt exceptions have higher priority than synchronous exceptions, the first instruction in an interrupt handler are executed before other interrupts are sensed.

Bus error, breakpoint, and reset exceptions that occur during exception processing of a previous exception are processed before the first instruction of that exception's handler routine. The converse is not true. If an interrupt occurs during bus error exception processing, for example, the first instruction of the exception handler is executed before interrupts are sensed. This permits the exception handler to mask interrupts during execution.

Refer to SECTION 5 SINGLE-CHIP INTEGRATION MODULE 2 for detailed information concerning interrupts and system reset. Refer to the *CPU16 Reference Manual* (CPU16RM/AD) for information concerning processing of specific exceptions.

4.13.6 RTI Instruction

The return-from-interrupt instruction (RTI) must be the last instruction in all exception handlers except the RESET handler. RTI pulls the exception stack frame that was pushed onto the system stack during exception processing, and restores processor state. Normal program flow resumes at the address of the instruction that follows the last instruction executed before exception processing began.

RTI is not used in the RESET handler because RESET initializes the stack pointer and does not create a stack frame.

4.14 Development Support

The CPU16 incorporates powerful tools for tracking program execution and for system debugging. These tools are deterministic opcode tracking, breakpoint exceptions, and background debug mode. Judicious use of CPU16 capabilities permits in-circuit emulation and system debugging using a bus state analyzer, a simple serial interface, and a terminal.

4.14.1 Deterministic Opcode Tracking

The CPU16 has two multiplexed outputs, IPIPE0 and IPIPE1, that enable external hardware to monitor the instruction pipeline during normal program execution. The signals IPIPE0 and IPIPE1 can be demultiplexed into six pipeline state signals that allow a state analyzer to synchronize with instruction stream activity.

4.14.1.1 IPIPE0/IPIPE1 Multiplexing

Six types of information are required to track pipeline activity. To generate the six state signals, eight pipeline states are encoded and multiplexed into IPIPE0 and IPIPE1. The multiplexed signals have two phases. State signals are active low. **Table 4-6** shows the encoding scheme.

Table 4-6 IPIPE0/IPIPE1 Encoding

| Phase | IPIPE1 State | IPIPE0 State | State Signal Name |
|-------|--------------|--------------|-------------------|
| 1 | 0 | 0 | START and FETCH |
| | 0 | 1 | FETCH |
| | 1 | 0 | START |
| | 1 | 1 | NULL |
| 2 | 0 | 0 | INVALID |
| | 0 | 1 | ADVANCE |
| | 1 | 0 | EXCEPTION |
| | 1 | 1 | NULL |

IPIPE0 and IPIPE1 are timed so that a logic analyzer can capture all six pipeline state signals and address, data, or control bus state in any single bus cycle. Refer to APPENDIX A ELECTRICAL CHARACTERISTICS for specifications.

State signals can be latched asynchronously on the falling and rising edges of either address strobe (\overline{AS}) or data strobe (\overline{DS}). They can also be latched synchronously using the microcontroller CLKOUT signal. Refer to the *CPU16 Reference Manual* (CPU16RM/AD) for more information on the CLKOUT signal, state signals, and state signal demux logic.

4.14.1.2 Combining Opcode Tracking with Other Capabilities

Pipeline state signals are useful during normal instruction execution and execution of exception handlers. The signals provide a complete model of the pipeline up to the point a breakpoint is acknowledged.

Breakpoints are acknowledged after an instruction has executed, when it is in pipeline Stage C. A breakpoint can initiate either exception processing or background debugging mode. IPIPE0/IPIPE1 are not usable when the CPU16 is in background debugging mode.

4.14.2 Breakpoints

Breakpoints are set by assertion of the microcontroller \overline{BKPT} pin. The CPU16 supports breakpoints on any memory access. Acknowledged breakpoints can initiate either exception processing or background debug mode. After BDM has been enabled, the CPU16 will enter BDM when the \overline{BKPT} input is asserted.

- If \overline{BKPT} assertion is synchronized with an instruction prefetch, the instruction is tagged with the breakpoint when it enters the pipeline, and the breakpoint occurs after the instruction executes.

- If $\overline{\text{BKPT}}$ assertion is synchronized with an operand fetch, breakpoint processing occurs at the end of the instruction during which $\overline{\text{BKPT}}$ is latched.

Breakpoints on instructions that are flushed from the pipeline before execution are not acknowledged. Operand breakpoints are always acknowledged. There is no breakpoint acknowledge bus cycle when BDM is entered. Refer to 5.6.4.1 Breakpoint Acknowledge Cycle for more information about breakpoints.

4.14.3 Opcode Tracking and Breakpoints

Breakpoints are acknowledged after a tagged instruction has executed, that is when the instruction is copied from pipeline stage B to stage C. Stage C contains the opcode of the previous instruction when execution of the current instruction begins.

When an instruction is tagged, IPIPE0/IPIPE1 reflect the start of execution and the appropriate number of pipeline advances and operand fetches before the breakpoint is acknowledged. If background debug mode is enabled, these signals model the pipeline before BDM is entered.

4.14.4 Background Debug Mode

Microprocessor debugging programs are generally implemented in external software. CPU16 BDM provides a debugger implemented in CPU microcode. BDM incorporates a full set of debug options. Registers can be viewed and altered, memory can be read or written, and test features can be invoked. BDM is an alternate CPU16 operating mode. While the CPU16 is in BDM, normal instruction execution is suspended, and special microcode performs debugging functions under external control. While in BDM, the CPU16 ceases to fetch instructions through the data bus and communicates with the development system through a dedicated serial interface.

4.14.5 Enabling BDM

The CPU16 samples the $\overline{\text{BKPT}}$ input during reset to determine whether to enable BDM. When $\overline{\text{BKPT}}$ is asserted at the rising edge of the $\overline{\text{RESET}}$ signal, BDM operation is enabled. BDM remains enabled until the next system reset. If $\overline{\text{BKPT}}$ is at logic level one on the trailing edge of $\overline{\text{RESET}}$, BDM is disabled. $\overline{\text{BKPT}}$ is relatched on each rising transition of $\overline{\text{RESET}}$. $\overline{\text{BKPT}}$ is synchronized internally and must be asserted for at least two clock cycles before negation of $\overline{\text{RESET}}$.

4.14.5.1 BDM Sources

When BDM is enabled, external breakpoint hardware and the BGND instruction can cause the CPU16 to enter BDM. If BDM is not enabled when a breakpoint occurs, a breakpoint exception is processed.

4.14.5.2 Entering BDM

When the CPU16 detects a breakpoint or decodes a BGND instruction when BDM is enabled, it suspends instruction execution and asserts the FREEZE signal. Once FREEZE has been asserted, the CPU16 enables the BDM serial communication hardware and awaits a command. Assertion of FREEZE causes opcode tracking signals IPIPE0 and IPIPE1 to change definition and become serial communication signals DSO and DSI. FREEZE is asserted at the next instruction boundary after the assertion of $\overline{\text{BKPT}}$ or execution of the BGND instruction. IPIPE0 and IPIPE1 change function before an exception signal can be generated. The development system must use FREEZE assertion as an indication that BDM has been entered. When BDM is exited, FREEZE is negated before initiation of normal bus cycles. IPIPE0 and IPIPE1 are valid when normal instruction prefetch begins.

4.14.5.3 BDM Commands

Commands consist of one 16-bit operation word and can include one or more 16-bit extension words. Each incoming word is read as it is assembled by the serial interface. The microcode routine corresponding to a command is executed as soon as the command is complete. Result operands are loaded into the output shift register to be shifted out as the next command is read. This process is repeated for each command until the CPU returns to normal operating mode. The BDM command set is summarized in **Table 4-7**. Refer to the *CPU16 Reference Manual (CPU16RM/AD)* for a BDM command glossary.

Table 4-7 Command Summary

| Command | Mnemonic | Description |
|------------------------------|----------|---|
| Read Registers from Mask | RREGM | Read contents of registers specified by command word register mask |
| Write Registers from Mask | WREGM | Write to registers specified by command word register mask |
| Read MAC Registers | RDMAC | Read contents of entire multiply and accumulate register set |
| Write MAC Registers | WRMAC | Write to entire multiply and accumulate register set |
| Read PC and SP | RPCSP | Read contents of program counter and stack pointer |
| Write PC and SP | WPCSP | Write to program counter and stack pointer |
| Read Data Memory | RDMEM | Read byte from specified 20-bit address in data space |
| Write Data Memory | WDMEM | Write byte to specified 20-bit address in data space |
| Read Program Memory | RPMEM | Read word from specified 20-bit address in program space |
| Write Program Memory | WPMEM | Write word to specified 20-bit address in program space |
| Execute from Current PK : PC | GO | Instruction pipeline flushed and refilled; instructions executed from current PC – \$0006 |
| Null Operation | NOP | Null command performs no operation |

4.14.5.4 Returning from BDM

BDM is terminated when a resume execution (GO) command is received. GO refills the instruction pipeline from address (PK : PC - \$0006). FREEZE is negated before the first prefetch. Upon negation of FREEZE, the BDM serial subsystem is disabled and the DSO/DSI signals revert to IPIPE0/IPIPE1 functionality.

4.14.5.5 BDM Serial Interface

The BDM serial interface uses a synchronous protocol similar to that of the Motorola serial peripheral interface (SPI). **Figure 4-7** is a diagram of the serial logic required to use BDM with a development system.

The development system serves as the master of the serial link, and is responsible for the generation of the serial interface clock signal (DSCLK).

Serial clock frequency range is from DC to one-half the CPU16 clock frequency. If DSCLK is derived from the CPU16 system clock, development system serial logic can be synchronized with the target processor.

The serial interface operates in full-duplex mode. Data transfers occur on the falling edge of DSCLK and are stable by the following rising edge of DSCLK. Data is transmitted MSB first, and is latched on the rising edge of DSCLK.

The serial data word is 17 bits wide, which includes 16 data bits and a status/control bit. Bit 16 indicates status of CPU-generated messages.

Command and data transfers initiated by the development system must clear bit 16. All commands that return a result return 16 bits of data plus one status bit.

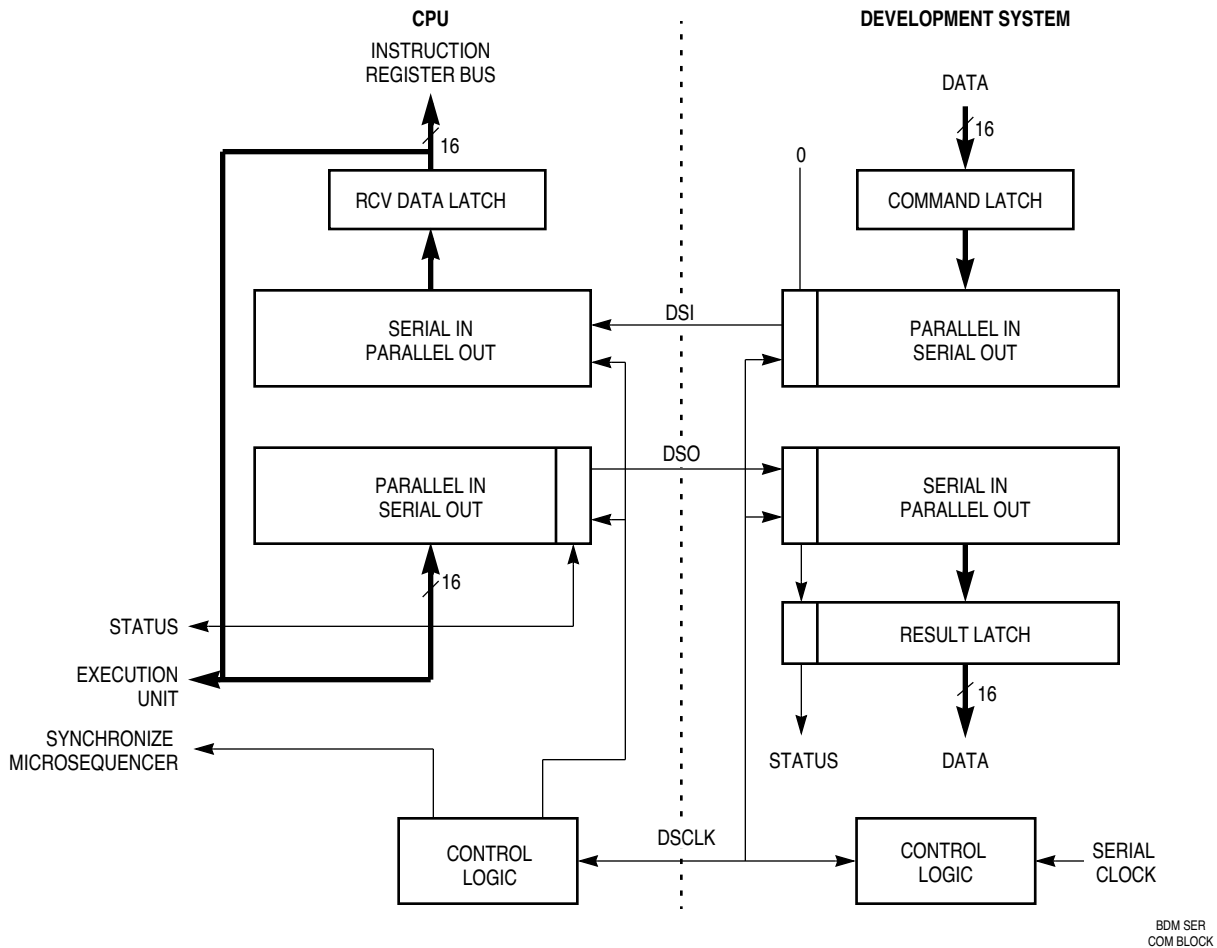
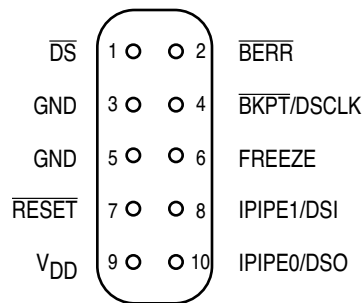


Figure 4-7 BDM Serial I/O Block Diagram

4.15 Recommended BDM Connection

In order to use BDM development tools when an MCU is installed in a system, Motorola recommends that appropriate signal lines be routed to a male Berg connector or double-row header installed on the circuit board with the MCU. Refer to **Figure 4-8**.



BDM CONN

Figure 4-8 BDM Connector Pinout

4.16 Digital Signal Processing

The CPU16 performs low-frequency digital signal processing (DSP) algorithms in real time. The most common DSP operation in embedded control applications is filtering, but the CPU16 can perform several other useful DSP functions. These include auto-correlation (detecting a periodic signal in the presence of noise), cross-correlation (determining the presence of a defined periodic signal), and closed-loop control routines (selective filtration in a feedback path).

Although derivation of DSP algorithms is often a complex mathematical task, the algorithms themselves typically consist of a series of multiply and accumulate (MAC) operations. The CPU16 contains a dedicated set of registers that perform MAC operations. As a group, these registers are called the MAC unit.

DSP operations generally require a large number of MAC iterations. The CPU16 instruction set includes instructions that perform MAC setup and repetitive MAC operations. Other instructions, such as 32-bit load and store instructions, can also be used in DSP routines.

Many DSP algorithms require extensive data address manipulation. To increase throughput, the CPU16 performs effective address calculations and data prefetches during MAC operations. In addition, the MAC unit provides modulo addressing to implement circular DSP buffers efficiently.

Refer to the *CPU16 Reference Manual* (CPU16RM/AD) for detailed information concerning the MAC unit and execution of DSP instructions.

SECTION 5 SINGLE-CHIP INTEGRATION MODULE 2

This section is an overview of the single-chip integration module 2 (SCIM2). Refer to the *SCIM Reference Manual* (SCIMRM/AD) for a comprehensive discussion of SCIM2 capabilities. Refer to D.2 Single-Chip Integration Module 2 for information concerning the SCIM2 address map and register structure.

5.1 General

The single-chip integration module 2 (SCIM2) consists of six submodules that, with a minimum of external devices, control system startup, initialization, configuration, and the external bus. **Figure 5-1** shows a block diagram of the SCIM2.

The system configuration block controls MCU configuration and operating mode.

The system clock generates clock signals used by the SCIM2, other IMB modules, and external devices. In addition, a periodic interrupt generator supports execution of time-critical control routines.

The system protection block provides bus and software watchdog monitors.

The chip-select block provides five general-purpose chip-select signals and two emulation-support chip-select signals. The general-purpose chip-select signals have associated base address registers and option registers.

The external bus interface handles the transfer of information between IMB modules and external address space.

The system test block incorporates hardware necessary for testing the MCU. It is used to perform factory tests, and its use in normal applications is not supported.

The SCIM2 has three basic operating modes:

- 16-bit expanded mode, in which the SCIM2 provides a 24-bit external address bus and a 16-bit external data bus, eight general-purpose chip-select lines, a boot ROM chip-select line, and seven interrupt request inputs. The bus control pins, the chip-select pins, and the interrupt request pins can be configured as general purpose I/O ports. In addition, two emulation chip-select lines are available — \overline{CSE} and \overline{CSM} . The \overline{CSE} line can be used to select an external port replacement unit, and the \overline{CSM} line can be used to select an external ROM-emulation device.
- 8-bit expanded mode, in which the SCIM2 provides a single general purpose I/O port, a 24-bit external address bus, an 8-bit external data bus, seven general purpose chip-select lines, a boot ROM chip-select line, and seven interrupt request lines. The bus control pins, the chip-select pins, and the interrupt request pins can be configured as general purpose I/O ports.

Freescale Semiconductor, Inc.

- Single-chip mode, in which the SCIM2 provides seven general purpose I/O ports, no external address or data buses, one general purpose chip-select line, and a boot ROM chip-select line.

Although the full IMB supports 24 address and 16 data lines, MC68HC16Y3/916Y3 MCUs use only 20 address lines. Because the CPU16 uses only 20 address lines. ADDR[23:20] follow the state of ADDR19.

Operating mode is determined by the logic states of specific MCU pins during reset. Refer to 5.7.3 Operating Configuration Out of Reset for more detailed information.

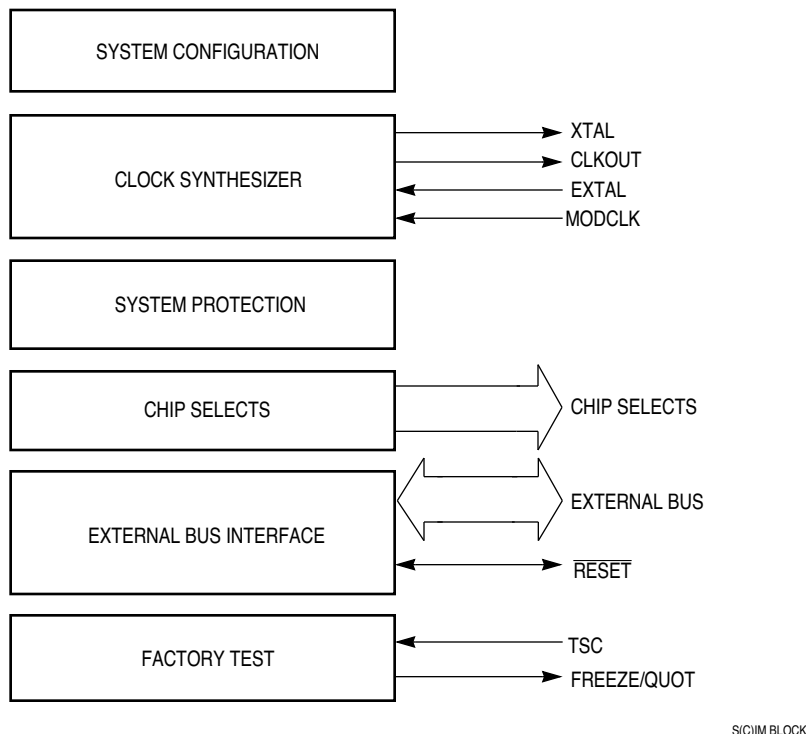


Figure 5-1 SCIM2 Block Diagram

5.2 System Configuration

The MCU can operate as a stand-alone device (single-chip mode), with a 20-bit external address bus and an 8-bit external data bus, or with a 20-bit external address bus and a 16-bit external data bus. SCIM2 pins can be configured for use as I/O ports or programmable chip select signals. Refer to 5.9 Chip-Selects and 5.10 General Purpose Input/Output for more information. System configuration is determined by setting bits in the SCIM2 configuration register (SCIMCR), and by asserting MCU pins during reset. The following paragraphs describe those configuration options controlled by SCIMCR.

5.2.1 Module Mapping

Control registers for all the modules in the microcontroller are mapped into a 4-Kbyte block. The state of the module mapping (MM) bit in SCIMCR determines where the control register block is located in the system memory map. When MM = 0, register addresses range from \$7FF000 to \$7FFFFFF; when MM = 1, register addresses range from \$FFF000 to \$FFFFFF.

In MC68HC16Y3/916Y3 MCUs, ADDR[23:20] follow the logic state of ADDR19 unless externally driven. MM corresponds to IMB ADDR23. If MM is cleared, the SCIM2 maps IMB modules into address space \$7FF000 – \$7FFFFFF, which is inaccessible to the CPU16. Modules remain inaccessible until reset occurs. The reset state of MM is one, but the bit can be written once. Initialization software should make certain MM remains set.

5.2.2 Interrupt Arbitration

Each module that can request interrupts has an interrupt arbitration (IARB) field. Arbitration between interrupt requests of the same priority is performed by serial contention between IARB field bit values. Contention will take place whenever an interrupt request is acknowledged, even when there is only a single request pending. For an interrupt to be serviced, the appropriate IARB field must have a non-zero value. If an interrupt request from a module with an IARB field value of %0000 is recognized, the CPU16 processes a spurious interrupt exception.

Because the SCIM2 routes external interrupt requests to the CPU16, the SCIM2 IARB field value is used for arbitration between internal and external interrupts of the same priority. The reset value of IARB for the SCIM2 is %1111, and the reset IARB value for all other modules is %0000, which prevents SCIM2 interrupts from being discarded during initialization. Refer to 5.8 Interrupts for a discussion of interrupt arbitration.

5.2.3 Single-Chip Operation Support

The SCIMCR contains three bits that support single-chip operation. Setting the CPU development support disable bit (CPUD) disables (places in a high impedance state) the instruction tracking pins whenever the FREEZE signal is not asserted. The instruction tracking pins on CPU16-based MCUs are IPIPE1 and IPIPE0. When CPUD is cleared to zero, the instruction tracking pins operate normally.

Setting the address bus disable bit (ABD) disables ADDR[2:0] by placing the pins in a high-impedance state. During single-chip operation, the ADDR[23:3] pins are configured for discrete output or input/output, and ADDR[2:0] should normally be disabled.

Setting the R/\overline{W} disable bit (RWD) disables the R/\overline{W} pin. This pin is not normally used during single-chip operation.

The reset state of each of these three bits is one if \overline{BERR} is held low during reset (configuring the MCU for single-chip operation) or zero if \overline{BERR} is held high during reset.

5.2.4 Show Internal Cycles

A show cycle allows internal bus transfers to be monitored externally. The SHEN field in SCIMCR determines what the external bus interface does during internal transfer operations. **Table 5-1** shows whether data is driven externally, and whether external bus arbitration can occur. Refer to 5.6.6.1 Show Cycles for more information.

Table 5-1 Show Cycle Enable Bits

| SHEN[1:0] | Action |
|-----------|---|
| 00 | Show cycles disabled, external arbitration enabled |
| 01 | Show cycles enabled, external arbitration disabled |
| 10 | Show cycles enabled, external arbitration enabled |
| 11 | Show cycles enabled, external arbitration enabled; internal activity is halted by a bus grant |

5.2.5 Register Access

MC68HC16Y3/916Y3 MCUs always operates at the supervisor level. The state of the SUPV bit has no meaning.

5.2.6 Freeze Operation

The FREEZE signal halts MCU operations during debugging. FREEZE is asserted internally by the CPU16 if a breakpoint occurs while background mode is enabled. When FREEZE is asserted, only the bus monitor, software watchdog, and periodic interrupt timer are affected. The halt monitor and spurious interrupt monitor continue to operate normally. Setting the freeze bus monitor (FRZBM) bit in SCIMCR disables the bus monitor when FREEZE is asserted. Setting the freeze software watchdog (FRZSW) bit disables the software watchdog and the periodic interrupt timer when FREEZE is asserted.

5.3 System Clock

The system clock in the SCIM2 provides timing signals for the IMB modules and for an external peripheral bus. Because the MCU is a fully static design, register and memory contents are not affected when the clock rate changes. System hardware and software support changes in clock rate during operation.

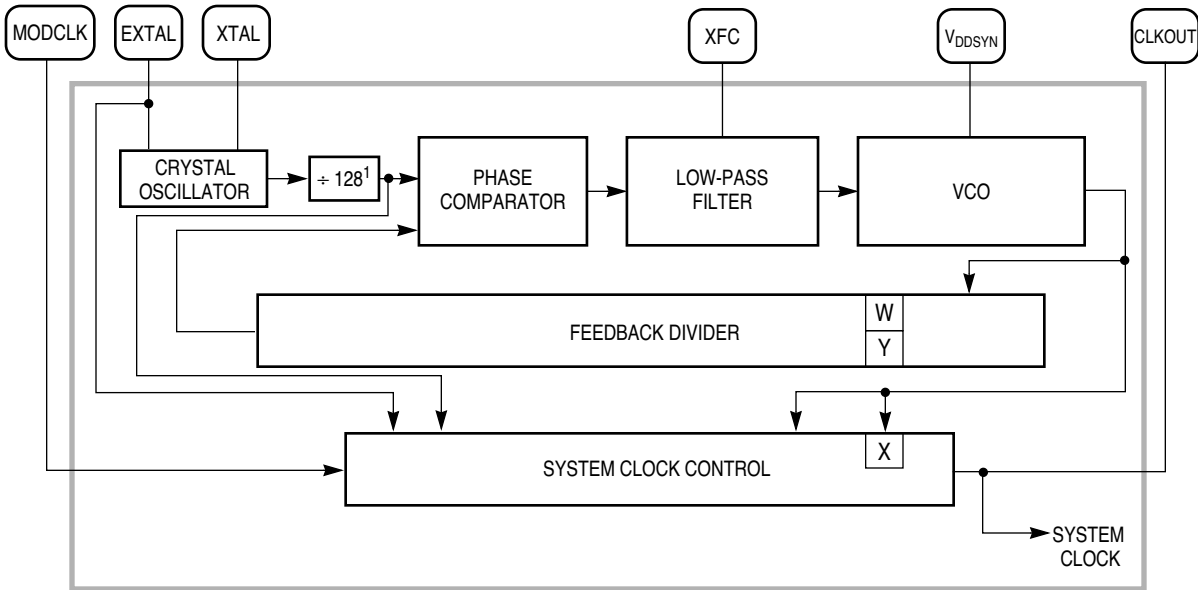
The system clock signal can be generated from one of three sources. An internal phase-locked loop (PLL) can synthesize the clock from a fast reference, a slow reference, or the clock signal can be directly input from an external frequency source.

NOTE

Whether the PLL can use a fast or slow reference is determined by the device. A particular device cannot use both a fast and slow reference.

The fast reference is typically a 4.194 MHz crystal; the slow reference is typically 32.768 kHz crystal. Each reference frequency may be generated by sources other than a crystal. Keep these sources in mind while reading the rest of this section. Refer to APPENDIX A ELECTRICAL CHARACTERISTICS for clock specifications.

Figure 5-2 is a block diagram of the clock submodule.



NOTES:
1. ÷ 128 IS PRESENT ONLY ON DEVICES WITH A FAST REFERENCE OSCILLATOR.

PLL BLOCK

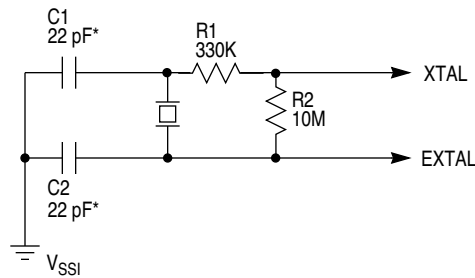
Figure 5-2 System Clock Block Diagram

5.3.1 Clock Sources

The state of the clock mode (MODCLK) pin during reset determines the system clock source. When MODCLK is held high during reset, the clock synthesizer generates a clock signal from an external reference frequency. The clock synthesizer control register (SYNCR) determines operating frequency and mode of operation. When MODCLK is held low during reset, the clock synthesizer is disabled and an external system clock signal must be driven onto the EXTAL pin.

The input clock, referred to as f_{ref} , can be either a crystal or an external clock source. The output of the clock system is referred to as f_{sys} . Ensure that f_{ref} and f_{sys} are within normal operating limits.

To generate a reference frequency using the crystal oscillator, a reference crystal must be connected between the EXTAL and XTAL pins. Typically, a 32.768 kHz crystal is used for a slow reference, but the frequency may vary between 25 kHz to 50 kHz. **Figure 5-3** shows a typical circuit.

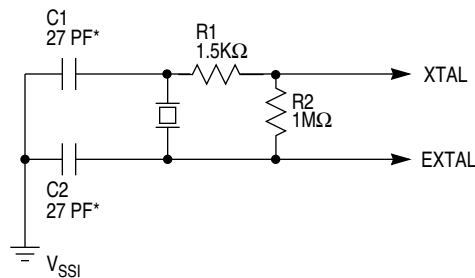


* RESISTANCE AND CAPACITANCE BASED ON A TEST CIRCUIT CONSTRUCTED WITH A DAISHINKU DMX-38 32.768-KHZ CRYSTAL. SPECIFIC COMPONENTS MUST BE BASED ON CRYSTAL TYPE. CONTACT CRYSTAL VENDOR FOR EXACT CIRCUIT.

32 OSCILLATOR

Figure 5-3 Slow Reference Crystal Circuit

A 4.194 MHz crystal is typically used for a fast reference, but the frequency may vary between 1 MHz to 6 MHz. Figure 5-4 shows a typical circuit.



* RESISTANCE AND CAPACITANCE BASED ON A TEST CIRCUIT CONSTRUCTED WITH A KDS041-18 4.194 MHz CRYSTAL. SPECIFIC COMPONENTS MUST BE BASED ON CRYSTAL TYPE. CONTACT CRYSTAL VENDOR FOR EXACT CIRCUIT.

16 OSCILLATOR 4M

Figure 5-4 Fast Reference Crystal Circuit

If a fast or slow reference frequency is provided to the PLL from a source other than a crystal, or an external system clock signal is applied through the EXTAL pin, the XTAL pin must be left floating.

5.3.2 Clock Synthesizer Operation

V_{DDSYN} is used to power the clock circuits when the system clock is synthesized from either a crystal or an externally supplied reference frequency. A separate power source increases MCU noise immunity and can be used to run the clock when the MCU is powered down. A quiet power supply must be used as the V_{DDSYN} source. Adequate external bypass capacitors should be placed as close as possible to the V_{DDSYN} pin to assure a stable operating frequency. When an external system clock signal is applied and the PLL is disabled, V_{DDSYN} should be connected to the V_{DD} supply.

Freescale Semiconductor, Inc.

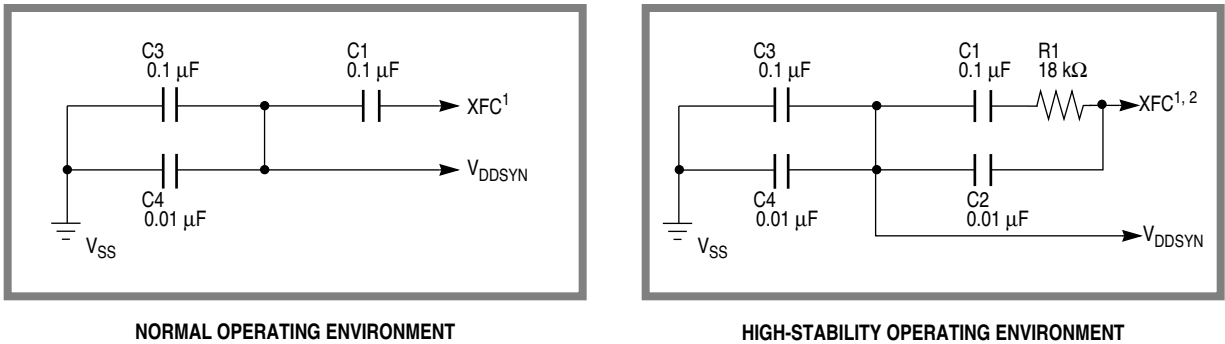
A voltage controlled oscillator (VCO) in the PLL generates the system clock signal. To maintain a 50% clock duty cycle, the VCO frequency (f_{VCO}) is either two or four times the system clock frequency, depending on the state of the X bit in SYNCR. The clock signal is fed back to a divider/counter. The divider controls the frequency of one input to a phase comparator. The other phase comparator input is a reference signal, either from the crystal oscillator or from an external source. The comparator generates a control signal proportional to the difference in phase between the two inputs. This signal is low-pass filtered and used to correct the VCO output frequency.

Filter circuit implementation can vary, depending upon the external environment and required clock stability. **Figure 5-5** shows two recommended system clock filter networks. XFC pin leakage must be kept as low as possible to maintain optimum stability and PLL performance.

NOTE

The standard filter used in normal operating environments is a single 0.1 μF capacitor, connected from the XFC pin to the V_{DDSYN} supply pin. An alternate filter can be used in high-stability operating environments to reduce PLL jitter under noisy system conditions. Current systems that are operating correctly may not require this filter. If the PLL is not enabled ($\text{MODCLK} = 0$ at reset), the XFC filter is not required. Versions of the SCIM that are configured for either slow or fast reference use the same filter component values.

An external filter network connected to the XFC pin is not required when an external system clock signal is applied and the PLL is disabled ($\text{MODCLK} = 0$ at reset). The XFC pin must be left floating in this case.



1. MAINTAIN LOW LEAKAGE ON THE XFC NODE. REFER TO APPENDIX A ELECTRICAL CHARACTERISTICS FOR MORE INFORMATION.
 2. RECOMMENDED LOOP FILTER FOR REDUCED SENSITIVITY TO LOW FREQUENCY NOISE.

NORMAL/HIGH-STABILITY XFC CONN

Figure 5-5 System Clock Filter Networks

Freescale Semiconductor, Inc.

The synthesizer locks when the VCO frequency is equal to f_{ref} . Lock time is affected by the filter time constant and by the amount of difference between the two comparator inputs. Whenever a comparator input changes, the synthesizer must relock. Lock status is shown by the SLOCK bit in SYNCR. During power-up, the MCU does not come out of reset until the synthesizer locks. Crystal type, characteristic frequency, and layout of external oscillator circuitry affect lock time.

When the clock synthesizer is used, SYNCR determines the system clock frequency and certain operating parameters. The W and Y[5:0] bits are located in the PLL feedback path, enabling frequency multiplication by a factor of up to 256. When the W or Y values change, VCO frequency changes, and there is a VCO relock delay. The SYNCR X bit controls a divide-by circuit that is not in the synthesizer feedback loop. When X = 0 (reset state), a divide-by-four circuit is enabled, and the system clock frequency is one-fourth the VCO frequency (f_{VCO}). When X = 1, a divide-by-two circuit is enabled and system clock frequency is one-half the VCO frequency (f_{VCO}). There is no relock delay when clock speed is changed by the X bit.

When a slow reference is used, one W bit and six Y bits are located in the PLL feedback path, enabling frequency multiplication by a factor of up to 256. The X bit is located in the VCO clock output path to enable dividing the system clock frequency by two without disturbing the PLL.

When using a slow reference, the clock frequency is determined by SYNCR bit settings as follows:

$$f_{sys} = 4f_{ref}(Y + 1)(2^{(2W + X)})$$

The reset state of SYNCR (\$3F00) results in a power-on f_{sys} of 8.388 MHz when f_{ref} is 32.768 kHz.

When a fast reference is used, three W bits are located in the PLL feedback path, enabling frequency multiplication by a factor from one to eight. Three Y bits and the X bit are located in the VCO clock output path to provide the ability to slow the system clock without disturbing the PLL.

When using a fast reference, the clock frequency is determined by SYNCR bit settings as follows:

$$f_{sys} = \frac{f_{ref}}{128}[4(Y + 1)(2^{(2W + X)})]$$

The reset state of SYNCR (\$3F00) results in a power-on f_{sys} of 8.388 MHz when f_{ref} is 4.194 MHz.

Freescale Semiconductor, Inc.

For the device to perform correctly, both the clock frequency and VCO frequency (selected by the W, X, and Y bits) must be within the limits specified for the MCU. In order for the VCO frequency to be within specifications (less than or equal to the maximum system clock frequency multiplied by two), the X bit must be set for system clock frequencies greater than one-half the maximum specified system clock.

Internal VCO frequency is determined by the following equations:

$$f_{\text{VCO}} = 4f_{\text{sys}} \text{ if } X = 0$$

or

$$f_{\text{VCO}} = 2f_{\text{sys}} \text{ if } X = 1$$

On both slow and fast reference devices, when an external system clock signal is applied (MODCLK = 0 during reset), the PLL is disabled. The duty cycle of this signal is critical, especially at operating frequencies close to maximum. The relationship between clock signal duty cycle and clock signal period is expressed as follows:

$$\text{Minimum External Clock Period} = \frac{\text{Minimum External Clock High/Low Time}}{50\% - \text{Percentage Variation of External Clock Input Duty Cycle}}$$

Table 5-2 shows 16.78 MHz clock control multipliers for all possible combinations of SYNCR bits. To obtain clock frequency, find counter modulus in the leftmost column, then multiply the reference frequency by the value in the appropriate prescaler cell. Refer to APPENDIX A ELECTRICAL CHARACTERISTICS for maximum allowable clock rate.

Table 5-3 shows actual 16.78 MHz clock frequencies for the same combinations of SYNCR bits. To obtain clock frequency, find counter modulus in the leftmost column, then refer to appropriate prescaler cell. Refer to APPENDIX A ELECTRICAL CHARACTERISTICS for maximum system frequency (f_{sys}).

Freescale Semiconductor, Inc.

Table 5-2 16.78 MHz Clock Control Multipliers

(Shaded cells represent values that exceed 16.78 MHz specifications.)

| Modulus Y | Prescalers | | | | | | | |
|--------------|--|--------|--|--------|--|-------|--|------|
| | [W:X] = 00 (f _{VCO} = 2 × Value) | | [W:X] = 01 (f _{VCO} = Value) | | [W:X] = 10 (f _{VCO} = 2 × Value) | | [W:X] = 11 (f _{VCO} = Value) | |
| | Slow | Fast | Slow | Fast | Slow | Fast | Slow | Fast |
| 000000 | 4 | .03125 | 8 | .625 | 16 | .125 | 32 | .25 |
| 000001 | 8 | .0625 | 16 | .125 | 32 | .25 | 64 | .5 |
| 000010 | 12 | .09375 | 24 | .1875 | 48 | .375 | 96 | .75 |
| 000011 | 16 | .125 | 32 | .25 | 64 | .5 | 128 | 1 |
| 000100 | 20 | .15625 | 40 | .3125 | 80 | .625 | 160 | 1.25 |
| 000101 | 24 | .1875 | 48 | .375 | 96 | .75 | 192 | 1.5 |
| 000110 | 28 | .21875 | 56 | .4375 | 112 | .875 | 224 | 1.75 |
| 000111 | 32 | .25 | 64 | .5 | 128 | 1 | 256 | 2 |
| 001000 | 36 | .21825 | 72 | .5625 | 144 | 1.125 | 288 | 2.25 |
| 001001 | 40 | .3125 | 80 | .625 | 160 | 1.25 | 320 | 2.5 |
| 001010 | 44 | .34375 | 88 | .6875 | 176 | 1.375 | 352 | 2.75 |
| 001011 | 48 | .375 | 96 | .75 | 192 | 1.5 | 384 | 3 |
| 001100 | 52 | .40625 | 104 | .8125 | 208 | 1.625 | 416 | 3.25 |
| 001101 | 56 | .4375 | 112 | .875 | 224 | 1.75 | 448 | 3.5 |
| 001110 | 60 | .46875 | 120 | .9375 | 240 | 1.875 | 480 | 3.75 |
| 001111 | 64 | .5 | 128 | 1 | 256 | 2 | 512 | 4 |
| 010000 | 68 | .53125 | 136 | 1.0625 | 272 | 2.125 | 544 | 4.25 |
| 010001 | 72 | .5625 | 144 | 1.125 | 288 | 2.25 | 576 | 4.5 |
| 010010 | 76 | .59375 | 152 | 1.1875 | 304 | 2.375 | 608 | 4.75 |
| 010011 | 80 | .625 | 160 | 1.25 | 320 | 2.5 | 640 | 5 |
| 010100 | 84 | .65625 | 168 | 1.3125 | 336 | 2.625 | 672 | 5.25 |
| 010101 | 88 | .6875 | 176 | 1.375 | 352 | 2.75 | 704 | 5.5 |
| 010110 | 92 | .71875 | 184 | 1.4375 | 368 | 2.875 | 736 | 5.75 |
| 010111 | 96 | .75 | 192 | 1.5 | 384 | 3 | 768 | 6 |
| 011000 | 100 | .78125 | 200 | 1.5625 | 400 | 3.125 | 800 | 6.25 |
| 011001 | 104 | .8125 | 208 | 1.625 | 416 | 3.25 | 832 | 6.5 |
| 011010 | 108 | .84375 | 216 | 1.6875 | 432 | 3.375 | 864 | 6.75 |
| 011011 | 112 | .875 | 224 | 1.75 | 448 | 3.5 | 896 | 7 |
| 011100 | 116 | .90625 | 232 | 1.8125 | 464 | 3.625 | 928 | 7.25 |
| 011101 | 120 | .9375 | 240 | 1.875 | 480 | 3.75 | 960 | 7.5 |
| 011110 | 124 | .96875 | 248 | 1.9375 | 496 | 3.875 | 992 | 7.75 |
| 011111 | 128 | 1 | 256 | 2 | 512 | 4 | 1024 | 8 |

Freescale Semiconductor, Inc.

Freescale Semiconductor, Inc.

Table 5-2 16.78 MHz Clock Control Multipliers (Continued)

(Shaded cells represent values that exceed 16.78 MHz specifications.)

| Modulus Y | Prescalers | | | | | | | |
|--------------|--|---------|--|--------|--|-------|--|-------|
| | [W:X] = 00 (f _{VCO} = 2 × Value) | | [W:X] = 01 (f _{VCO} = Value) | | [W:X] = 10 (f _{VCO} = 2 × Value) | | [W:X] = 11 (f _{VCO} = Value) | |
| | Slow | Fast | Slow | Fast | Slow | Fast | Slow | Fast |
| 100000 | 132 | 1.03125 | 264 | 2.0625 | 528 | 4.125 | 1056 | 8.25 |
| 100001 | 136 | 1.0625 | 272 | 2.125 | 544 | 4.25 | 1088 | 8.5 |
| 100010 | 140 | 1.09375 | 280 | 2.1875 | 560 | 4.375 | 1120 | 8.75 |
| 100011 | 144 | 1.125 | 288 | 2.25 | 576 | 4.5 | 1152 | 9 |
| 100100 | 148 | 1.15625 | 296 | 2.3125 | 592 | 4.675 | 1184 | 9.25 |
| 100101 | 152 | 1.1875 | 304 | 2.375 | 608 | 4.75 | 1216 | 9.5 |
| 100110 | 156 | 1.21875 | 312 | 2.4375 | 624 | 4.875 | 1248 | 9.75 |
| 100111 | 160 | 1.25 | 320 | 2.5 | 640 | 5 | 1280 | 10 |
| 101000 | 164 | 1.28125 | 328 | 2.5625 | 656 | 5.125 | 1312 | 10.25 |
| 101001 | 168 | 1.3125 | 336 | 2.625 | 672 | 5.25 | 1344 | 10.5 |
| 101010 | 172 | 1.34375 | 344 | 2.6875 | 688 | 5.375 | 1376 | 10.75 |
| 101011 | 176 | 1.375 | 352 | 2.75 | 704 | 5.5 | 1408 | 11 |
| 101100 | 180 | 1.40625 | 360 | 2.8125 | 720 | 5.625 | 1440 | 11.25 |
| 101101 | 184 | 1.4375 | 368 | 2.875 | 736 | 5.75 | 1472 | 11.5 |
| 101110 | 188 | 1.46875 | 376 | 2.9375 | 752 | 5.875 | 1504 | 11.75 |
| 101111 | 192 | 1.5 | 384 | 3 | 768 | 6 | 1536 | 12 |
| 110000 | 196 | 1.53125 | 392 | 3.0625 | 784 | 6.125 | 1568 | 12.25 |
| 110001 | 200 | 1.5625 | 400 | 3.125 | 800 | 6.25 | 1600 | 12.5 |
| 110010 | 204 | 1.59375 | 408 | 3.1875 | 816 | 6.375 | 1632 | 12.75 |
| 110011 | 208 | 1.625 | 416 | 3.25 | 832 | 6.5 | 1664 | 13 |
| 110100 | 212 | 1.65625 | 424 | 3.3125 | 848 | 6.625 | 1696 | 13.25 |
| 110101 | 216 | 1.6875 | 432 | 3.375 | 864 | 6.75 | 1728 | 13.5 |
| 110110 | 220 | 1.71875 | 440 | 3.4375 | 880 | 6.875 | 1760 | 13.75 |
| 110111 | 224 | 1.75 | 448 | 3.5 | 896 | 7 | 1792 | 14 |
| 111000 | 228 | 1.78125 | 456 | 3.5625 | 912 | 7.125 | 1824 | 14.25 |
| 111001 | 232 | 1.8125 | 464 | 3.625 | 928 | 7.25 | 1856 | 14.5 |
| 111010 | 236 | 1.84375 | 472 | 3.6875 | 944 | 7.375 | 1888 | 14.75 |
| 111011 | 240 | 1.875 | 480 | 3.75 | 960 | 7.5 | 1920 | 15 |
| 111100 | 244 | 1.90625 | 488 | 3.8125 | 976 | 7.625 | 1952 | 15.25 |
| 111101 | 248 | 1.9375 | 496 | 3.875 | 992 | 7.75 | 1984 | 15.5 |
| 111110 | 252 | 1.96875 | 504 | 3.9375 | 1008 | 7.875 | 2016 | 15.75 |
| 111111 | 256 | 2 | 512 | 4 | 1024 | 8 | 2048 | 16 |

Freescale Semiconductor, Inc.

Freescale Semiconductor, Inc.

Table 5-3 16.78 MHz System Clock Frequencies

(Shaded cells represent values that exceed 16.78 MHz specifications.)

| Modulus Y | Prescaler | | | |
|--------------|---|--|---|--|
| | [W:X] = 00 ($f_{VCO} = 2 \times \text{Value}$) | [W:X] = 01 ($f_{VCO} = \text{Value}$) | [W:X] = 10 ($f_{VCO} = 2 \times \text{Value}$) | [W:X] = 11 ($f_{VCO} = \text{Value}$) |
| 000000 | 131 kHz | 262 kHz | 524 kHz | 1049 kHz |
| 000001 | 262 | 524 | 1049 | 2097 |
| 000010 | 393 | 786 | 1573 | 3146 |
| 000011 | 524 | 1049 | 2097 | 4194 |
| 000100 | 655 | 1311 | 2621 | 5243 |
| 000101 | 786 | 1573 | 3146 | 6291 |
| 000110 | 918 | 1835 | 3670 | 7340 |
| 000111 | 1049 | 2097 | 4194 | 8389 |
| 001000 | 1180 | 2359 | 4719 | 9437 |
| 001001 | 1311 | 2621 | 5243 | 10486 |
| 001010 | 1442 | 2884 | 5767 | 11534 |
| 001011 | 1573 | 3146 | 6291 | 12583 |
| 001100 | 1704 | 3408 | 6816 | 13631 |
| 001101 | 1835 | 3670 | 7340 | 14680 |
| 001110 | 1966 | 3932 | 7864 | 15729 |
| 001111 | 2097 | 4194 | 8389 | 16777 |
| 010000 | 2228 | 4456 | 8913 | 17826 |
| 010001 | 2359 | 4719 | 9437 | 18874 |
| 010010 | 2490 | 4981 | 9961 | 19923 |
| 010011 | 2621 | 5243 | 10486 | 20972 |
| 010100 | 2753 | 5505 | 11010 | 22020 |
| 010101 | 2884 | 5767 | 11534 | 23069 |
| 010110 | 3015 | 6029 | 12059 | 24117 |
| 010111 | 3146 | 6291 | 12583 | 25166 |
| 011000 | 3277 | 6554 | 13107 | 26214 |
| 011001 | 3408 | 6816 | 13631 | 27263 |
| 011010 | 3539 | 7078 | 14156 | 28312 |
| 011011 | 3670 | 7340 | 14680 | 29360 |
| 011100 | 3801 | 7602 | 15204 | 30409 |
| 011101 | 3932 | 7864 | 15729 | 31457 |
| 011110 | 4063 | 8126 | 16253 | 32506 |
| 011111 | 4194 | 8389 | 16777 | 33554 |

Freescale Semiconductor, Inc.

Table 5-3 16.78 MHz System Clock Frequencies (Continued)

(Shaded cells represent values that exceed 16.78 MHz specifications.)

| Modulus Y | Prescaler | | | |
|--------------|---|--|---|--|
| | [W:X] = 00 ($f_{VCO} = 2 \times \text{Value}$) | [W:X] = 01 ($f_{VCO} = \text{Value}$) | [W:X] = 10 ($f_{VCO} = 2 \times \text{Value}$) | [W:X] = 11 ($f_{VCO} = \text{Value}$) |
| 100000 | 4325 kHz | 8651 kHz | 17302 kHz | 34603 kHz |
| 100001 | 4456 | 8913 | 17826 | 35652 |
| 100010 | 4588 | 9175 | 18350 | 36700 |
| 100011 | 4719 | 9437 | 18874 | 37749 |
| 100100 | 4850 | 9699 | 19399 | 38797 |
| 100101 | 4981 | 9961 | 19923 | 39846 |
| 100110 | 5112 | 10224 | 20447 | 40894 |
| 100111 | 5243 | 10486 | 20972 | 41943 |
| 101000 | 5374 | 10748 | 21496 | 42992 |
| 101001 | 5505 | 11010 | 22020 | 44040 |
| 101010 | 5636 | 11272 | 22544 | 45089 |
| 101011 | 5767 | 11534 | 23069 | 46137 |
| 101100 | 5898 | 11796 | 23593 | 47186 |
| 101101 | 6029 | 12059 | 24117 | 48234 |
| 101110 | 6160 | 12321 | 24642 | 49283 |
| 101111 | 6291 | 12583 | 25166 | 50332 |
| 110000 | 6423 | 12845 | 25690 | 51380 |
| 110001 | 6554 | 13107 | 26214 | 52428 |
| 110010 | 6685 | 13369 | 26739 | 53477 |
| 110011 | 6816 | 13631 | 27263 | 54526 |
| 110100 | 6947 | 13894 | 27787 | 55575 |
| 110101 | 7078 | 14156 | 28312 | 56623 |
| 110110 | 7209 | 14418 | 28836 | 57672 |
| 110111 | 7340 | 14680 | 29360 | 58720 |
| 111000 | 7471 | 14942 | 2988 | 59769 |
| 111001 | 7602 | 15204 | 30409 | 60817 |
| 111010 | 7733 | 15466 | 30933 | 61866 |
| 111011 | 7864 | 15729 | 31457 | 62915 |
| 111100 | 7995 | 15991 | 31982 | 63963 |
| 111101 | 8126 | 16253 | 32506 | 65011 |
| 111110 | 8258 | 16515 | 33030 | 66060 |
| 111111 | 8389 | 16777 | 33554 | 67109 |

5.3.3 External Bus Clock

The state of the E-clock division bit (EDIV) in SYNCR determines clock rate for the E-clock signal (ECLK) available on pin ADDR23. ECLK is a bus clock for MC6800 devices and peripherals. ECLK frequency can be set to system clock frequency divided by eight or system clock frequency divided by sixteen. The clock is enabled by the CS10PA[1:0] field in chip-select pin assignment register 1 (CSPAR1). ECLK operation during low-power stop is described in the following paragraph. Refer to **5.9 Chip-Selects** for more information about the external bus clock.

5.3.4 Low-Power Operation

Low-power operation is initiated by the CPU16. To reduce power consumption selectively, the CPU can set the STOP bits in each module configuration register. To minimize overall microcontroller power consumption, the CPU can execute the LPSTOP instruction which causes the SCIM2 to turn off the system clock.

When individual module STOP bits are set, clock signals inside each module are turned off, but module registers are still accessible.

When the CPU executes LPSTOP, a special CPU space bus cycle writes a copy of the current interrupt mask into the clock control logic. The SCIM2 brings the MCU out of low-power stop mode when one of the following exceptions occur:

- $\overline{\text{RESET}}$
- Trace
- SCIM2 interrupt of higher priority than the stored interrupt mask

Refer to 5.6.4.2 LPSTOP Broadcast Cycle for more information.

During a low-power stop mode, unless the system clock signal is supplied by an external source and that source is removed, the SCIM clock control logic and the SCIM clock signal (SCIMCLK) continue to operate. The periodic interrupt timer and input logic for the $\overline{\text{RESET}}$ and $\overline{\text{IRQ}}$ pins are clocked by SCIMCLK. The SCIM2 can also continue to generate the CLKOUT signal while in low-power stop mode.

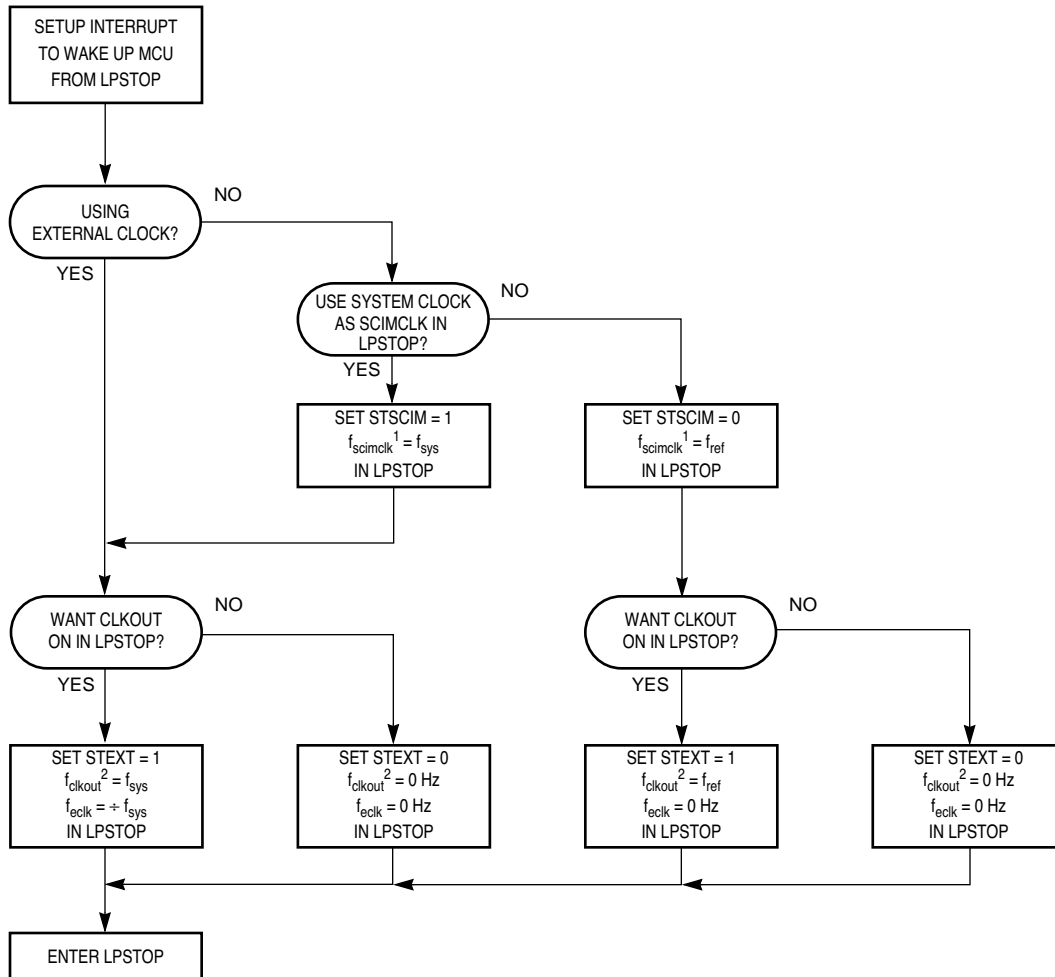
During low-power stop mode, the address bus continues to drive the LPSTOP instruction, and bus control signals are negated. I/O pins configured as outputs continue to hold their previous state; I/O pins configured as inputs will be in a three-state condition.

STSCIM and STEXT bits in SYNCR determine clock operation during low power stop mode.

The flow chart shown in **Figure 5-6** summarizes the effects of the STSCIM and STEXT bits when the MCU enters normal low-power stop mode. Any clock in the off state is held low. If the synthesizer VCO is turned off during low-power stop mode, there is a PLL relock delay after the VCO is turned back on.

NOTE

The internal oscillator which supplies the input frequency for the PLL always runs when a crystal is used.



NOTES:

1. THE SCIMCLK IS USED BY THE PIT, I \bar{R} Q, AND INPUT BLOCKS OF THE SCIM2.
2. CLKOUT CONTROL DURING LPSTOP IS OVERRIDDEN BY THE EXOFF BIT IN SCIMCR. IF EXOFF = 1, THE CLKOUT PIN IS ALWAYS IN A HIGH IMPEDANCE STATE AND STEXT HAS NO EFFECT IN LPSTOP. IF EXOFF = 0, CLKOUT IS CONTROLLED BY STEXT IN LPSTOP.

LPSTOPFLOW

Figure 5-6 LPSTOP Flowchart

5.4 System Protection

The system protection block preserves reset status, monitors internal activity, and provides periodic interrupt generation. **Figure 5-7** is a block diagram of the submodule.

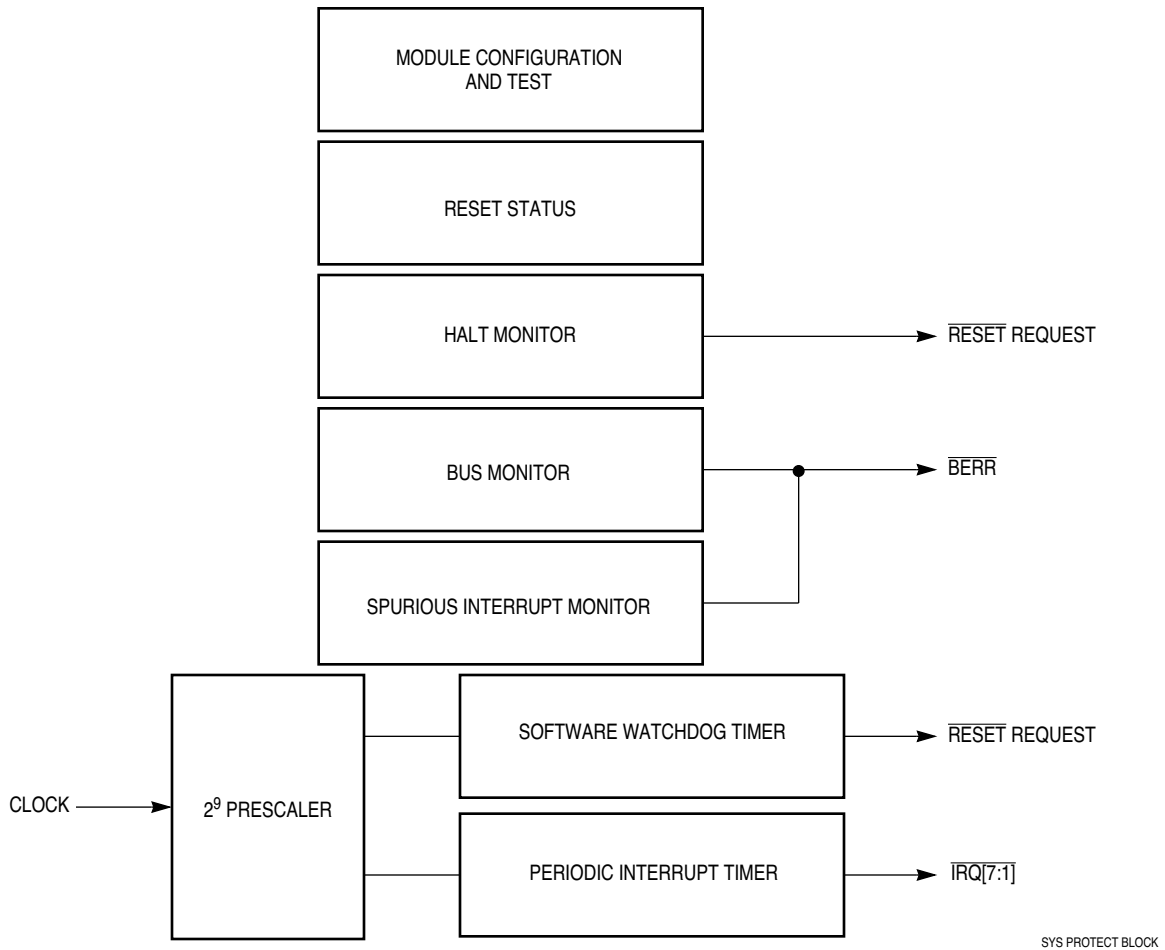


Figure 5-7 System Protection

5.4.1 Reset Status

The reset status register (RSR) latches internal MCU status during reset. Refer to 5.7.10 Reset Status Register for more information.

5.4.2 Bus Monitor

The internal bus monitor checks data size acknowledge (\overline{DSACK}) signal response times during normal bus cycles. The monitor asserts the internal bus error (\overline{BERR}) signal when the response time is excessively long.

\overline{DSACK} response times are measured in clock cycles. Maximum allowable response time can be selected by setting the bus monitor timing (BMT[1:0]) field in the system protection control register (SYPCR). **Table 5-4** shows the periods allowed.

Table 5-4 Bus Monitor Period

| BMT[1:0] | Bus Monitor Timeout Period |
|----------|----------------------------|
| 00 | 64 System clocks |
| 01 | 32 System clocks |
| 10 | 16 System clocks |
| 11 | 8 System clocks |

The monitor does not check \overline{DSACK} response on the external bus unless the CPU16 initiates a bus cycle. The BME bit in SYPCR enables the internal bus monitor for internal to external bus cycles. If a system contains external bus masters, an external bus monitor must be implemented and the internal-to-external bus monitor option must be disabled.

When monitoring transfers to an 8-bit port, the bus monitor does not reset until both byte accesses of a word transfer are completed. Monitor timeout period must be at least twice the number of clocks that a single byte access requires.

5.4.3 Halt Monitor

The halt monitor responds to an assertion of the \overline{HALT} signal on the internal bus, caused by a double bus fault. A flag in the reset status register (RSR) can indicate that the last reset was caused by the halt monitor. Halt monitor reset can be inhibited by the halt monitor (HME) enable bit in SYPCR. Refer to 5.6.5.2 Double Bus Faults for more information.

5.4.4 Spurious Interrupt Monitor

During interrupt exception processing, the CPU16 normally acknowledges an interrupt request, arbitrates among various sources of interrupt, recognizes the highest priority source, and then acquires a vector or responds to a request for autovectoring. The spurious interrupt monitor asserts the internal bus error signal (\overline{BERR}) if no interrupt arbitration occurs during interrupt exception processing. The assertion of \overline{BERR} causes the CPU16 to load the spurious interrupt exception vector into the program counter. The spurious interrupt monitor cannot be disabled. Refer to 5.8 Interrupts for further information. For detailed information about interrupt exception processing, refer to 4.13 Exceptions.

5.4.5 Software Watchdog

The software watchdog is controlled by the software watchdog enable (SWE) bit in SYPCR. When enabled, the watchdog requires that a service sequence be written to the software service register (SWSR) on a periodic basis. If servicing does not take place, the watchdog times out and asserts the \overline{RESET} signal.

Each time the service sequence is written, the software watchdog timer restarts. The sequence to restart the software watchdog consists of the following steps:

- Write \$55 to SWSR.
- Write \$AA to SWSR.

Freescale Semiconductor, Inc.

Both writes must occur before timeout in the order listed. Any number of instructions can be executed between the two writes.

Watchdog clock rate is affected by the software watchdog prescale (SWP) bit and the software watchdog timing (SWT[1:0]) field in SYPCR.

SWP determines system clock prescaling for the watchdog timer and determines that one of two options, either no prescaling or prescaling by a factor of 512, can be selected. The value of SWP is affected by the state of the MODCLK pin during reset, as shown in **Table 5-5**. System software can change SWP value.

Table 5-5 MODCLK Pin and SWP Bit During Reset

| MODCLK | SWP |
|--------------------|-----------------|
| 0 (External Clock) | 1 (\div 512) |
| 1 (Internal Clock) | 0 (\div 1) |

SWT[1:0] selects the divide ratio used to establish the software watchdog timeout period.

The following equation calculates the timeout period for a slow reference frequency.

$$\text{Timeout Period} = \frac{\text{Divide Ratio Specified by SWP and SWT[1:0]}}{f_{\text{ref}}}$$

The following equation calculates the timeout period for a fast reference frequency.

$$\text{Timeout Period} = \frac{(128)(\text{Divide Ratio Specified by SWP and SWT[1:0]})}{f_{\text{ref}}}$$

The following equation calculates the timeout period for an externally input clock frequency on both slow and fast reference frequency devices.

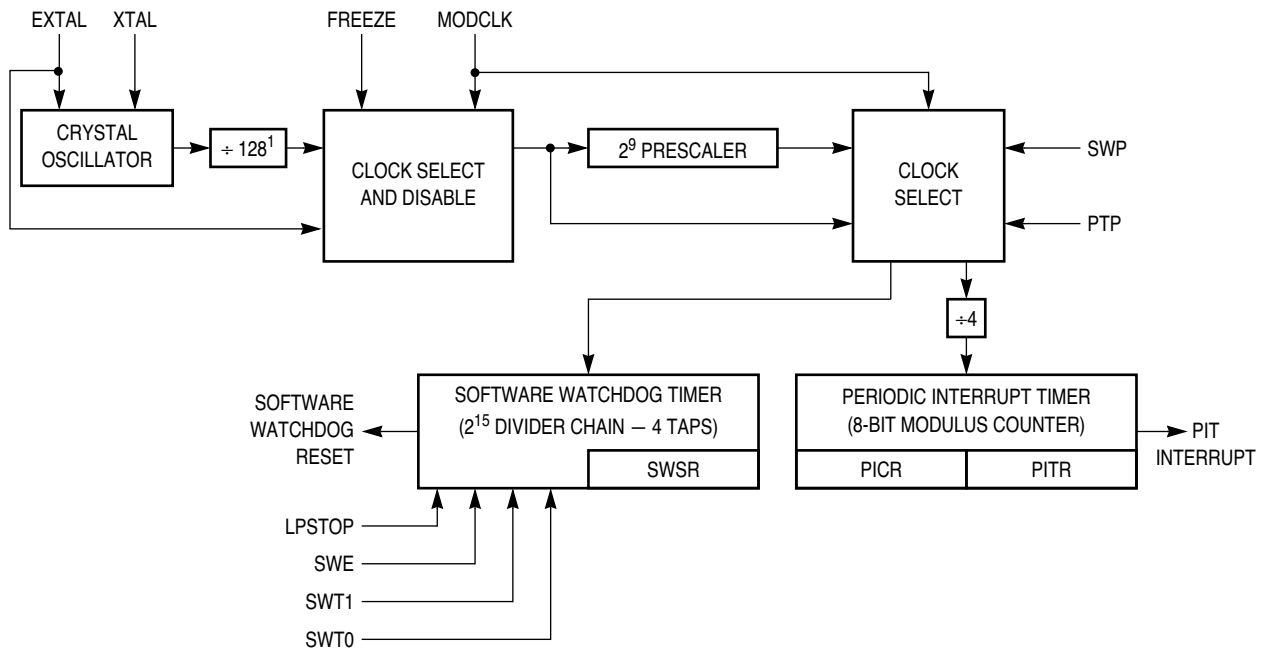
$$\text{Timeout Period} = \frac{\text{Divide Ratio Specified by SWP and SWT[1:0]}}{f_{\text{ref}}}$$

Table 5-6 shows the divide ratio for each combination of SWP and SWT[1:0] bits. When SWT[1:0] are modified, a watchdog service sequence must be performed before the new timeout period can take effect.

Table 5-6 Software Watchdog Divide Ratio

| SWP | SWT[1:0] | Divide Ratio |
|-----|----------|--------------|
| 0 | 00 | 2^9 |
| 0 | 01 | 2^{11} |
| 0 | 10 | 2^{13} |
| 0 | 11 | 2^{15} |
| 1 | 00 | 2^{18} |
| 1 | 01 | 2^{20} |
| 1 | 10 | 2^{22} |
| 1 | 11 | 2^{24} |

Figure 5-8 is a block diagram of the watchdog timer and the clock control for the periodic interrupt timer.



NOTES:

1. ÷ 128 IS PRESENT ONLY ON DEVICES WITH A FAST REFERENCE OSCILLATOR.

PIT WATCHDOG BLOCK 16

Figure 5-8 Periodic Interrupt Timer and Software Watchdog Timer

5.4.6 Periodic Interrupt Timer

The periodic interrupt timer (PIT) allows the generation of interrupts of specific priority at predetermined intervals. This capability is often used to schedule control system tasks that must be performed within time constraints. The timer consists of a prescaler, a modulus counter, and registers that determine interrupt timing, priority and vector assignment. Refer to 4.13 Exceptions for further information about interrupt exception processing.

Freescale Semiconductor, Inc.

Freescale Semiconductor, Inc.

The periodic interrupt timer modulus counter is clocked by one of two signals. When the PLL is enabled (MODCLK = 1 during reset), f_{ref} is used with a slow reference oscillator; $f_{ref} \div 128$ is used with fast reference oscillator. When the PLL is disabled (MODCLK = 0 during reset), f_{ref} is used. The value of the periodic timer prescaler (PTP) bit in the periodic interrupt timer register (PITR) determines system clock prescaling for the periodic interrupt timer. One of two options, either no prescaling, or prescaling by a factor of 512, can be selected. The value of PTP is affected by the state of the MODCLK pin during reset, as shown in **Table 5-7**. System software can change PTP value.

Table 5-7 MODCLK Pin and PTP Bit at Reset

| MODCLK | PTP |
|--------------------|-----------------|
| 0 (External Clock) | 1 (\div 512) |
| 1 (Internal Clock) | 0 (\div 1) |

Either clock signal selected by the PTP is divided by four before driving the modulus counter. The modulus counter is initialized by writing a value to the periodic interrupt timer modulus (PITM[7:0]) field in PITR. A zero value turns off the periodic timer. When the modulus counter value reaches zero, an interrupt is generated. The modulus counter is then reloaded with the value in PITM[7:0] and counting repeats. If a new value is written to PITR, it is loaded into the modulus counter when the current count is completed.

The following equation calculates the PIT period when a slow reference frequency is used:

$$\text{PIT Period} = \frac{(\text{PITM}[7:0])(1 \text{ if PTP} = 0, 512 \text{ if PTP} = 1)(4)}{f_{ref}}$$

The following equation calculates the PIT period when a fast reference frequency is used:

$$\text{PIT Period} = \frac{(128)(\text{PITM}[7:0])(1 \text{ if PTP} = 0, 512 \text{ if PTP} = 1)(4)}{f_{ref}}$$

The following equation calculates the PIT period for an externally input clock frequency on both slow and fast reference frequency devices.

$$\text{PIT Period} = \frac{(\text{PITM}[7:0])(1 \text{ if PTP} = 0, 512 \text{ if PTP} = 1)(4)}{f_{ref}}$$

5.4.7 Interrupt Priority and Vectoring

Interrupt priority and vectoring are determined by the values of the periodic interrupt request level (PIRQL[2:0]) and periodic interrupt vector (PIV) fields in the periodic interrupt control register (PICR).

The PIRQL field is compared to the CPU16 interrupt priority mask to determine whether the interrupt is recognized. **Table 5-8** shows PIRQL[2:0] priority values. Because of SCIM2 hardware prioritization, a PIT interrupt is serviced before an external interrupt request of the same priority. The periodic timer continues to run when the interrupt is disabled.

Table 5-8 Periodic Interrupt Priority

| PIRQL[2:0] | Priority Level |
|------------|-----------------------------|
| 000 | Periodic Interrupt Disabled |
| 001 | Interrupt priority level 1 |
| 010 | Interrupt priority level 2 |
| 011 | Interrupt priority level 3 |
| 100 | Interrupt priority level 4 |
| 101 | Interrupt priority level 5 |
| 110 | Interrupt priority level 6 |
| 111 | Interrupt priority level 7 |

The PIV field contains the periodic interrupt vector. The vector is placed on the IMB when an interrupt request is made. The vector number is used to calculate the address of the appropriate exception vector in the exception vector table. The reset value of the PIV field is \$0F, which corresponds to the uninitialized interrupt exception vector.

5.4.8 Low-Power STOP Operation

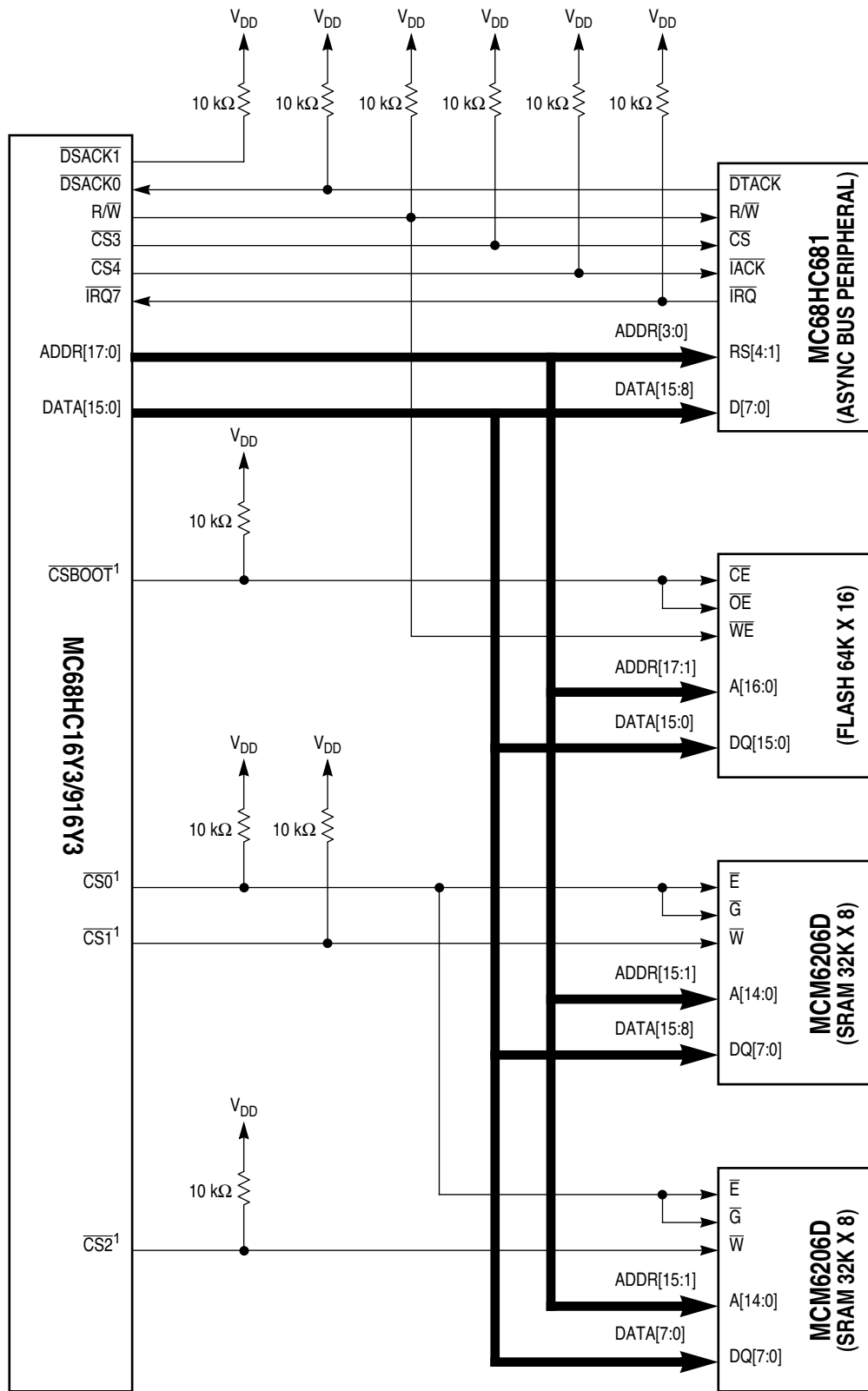
When the CPU16 executes the LPSTOP instruction, the current interrupt priority mask is stored in the clock control logic, internal clocks are disabled according to the state of the STSCIM bit in the SYNCR, and the MCU enters low-power stop mode. The bus monitor, halt monitor, and spurious interrupt monitor are all inactive during low-power stop.

During low-power stop mode, the clock input to the software watchdog timer is disabled and the timer stops. The software watchdog begins to run again on the first rising clock edge after low-power stop mode ends. The watchdog is not reset by low-power stop mode. A service sequence must be performed to reset the timer.

The periodic interrupt timer does not respond to the LPSTOP instruction, but continues to run during LPSTOP. To stop the periodic interrupt timer, PITR must be loaded with a zero value before the LPSTOP instruction is executed. A PIT interrupt, or an external interrupt request, can bring the MCU out of the low-power stop mode if it has a higher priority than the interrupt mask value stored in the clock control logic when low-power stop mode is initiated. LPSTOP can be terminated by a reset.

5.5 External Bus Interface

The external bus interface (EBI) transfers information between the internal MCU bus and external devices. **Figure 5-9** shows a basic system with external memory and peripherals.



NOTES:
1. ALL CHIP-SELECT LINES IN THIS EXAMPLE MUST BE CONFIGURED AS 16-BIT.

HC16 SIM/SCIM BUS

Figure 5-9 MCU Basic System

The external bus has 24 address lines and 16 data lines. ADDR[19:0] are normal address outputs; ADDR[23:20] follow the output state of ADDR19. The EBI provides dynamic sizing between 8-bit and 16-bit data accesses. It supports byte, word, and long-word transfers. Port width is the maximum number of bits accepted or provided by the external memory system during a bus transfer. Widths of eight and sixteen bits are accessed through the use of asynchronous cycles controlled by the size (SIZ1 and SIZ0) and data size acknowledge ($\overline{DSACK1}$ and $\overline{DSACK0}$) pins. Multiple bus cycles may be required for a dynamically sized transfers.

To add flexibility and minimize the necessity for external logic, MCU chip-select logic is synchronized with EBI transfers. Refer to 5.9 Chip-Selects for more information.

5.5.1 Bus Control Signals

The address bus provides addressing information to external devices. The data bus transfers 8-bit and 16-bit data between the MCU and external devices. Strobe signals, one for the address bus and another for the data bus, indicate the validity of an address and provide timing information for data.

Control signals indicate the beginning of each bus cycle, the address space, the size of the transfer, and the type of cycle. External devices decode these signals and respond to transfer data and terminate the bus cycle. The EBI can operate in an asynchronous mode for any port width.

5.5.1.1 Address Bus

Bus signals ADDR[19:0] define the address of the byte (or the most significant byte) to be transferred during a bus cycle. The MCU places the address on the bus at the beginning of a bus cycle. The address is valid while \overline{AS} is asserted.

5.5.1.2 Address Strobe

Address strobe (\overline{AS}) is a timing signal that indicates the validity of an address on the address bus and of many control signals.

5.5.1.3 Data Bus

Signals DATA[15:0] form a bidirectional, non-multiplexed parallel bus that transfers data to or from the MCU. A read or write operation can transfer 8 or 16 bits of data in one bus cycle. For a write cycle, all 16 bits of the data bus are driven, regardless of the port width or operand size.

5.5.1.4 Data Strobe

Data strobe (\overline{DS}) is a timing signal. For a read cycle, the MCU asserts \overline{DS} to signal an external device to place data on the bus. \overline{DS} is asserted at the same time as \overline{AS} during a read cycle. For a write cycle, \overline{DS} signals an external device that data on the bus is valid.

5.5.1.5 Read/Write Signal

The read/write signal (R/\overline{W}) determines the direction of the transfer during a bus cycle. This signal changes state, when required, at the beginning of a bus cycle, and is valid while \overline{AS} is asserted. R/\overline{W} only transitions when a write cycle is preceded by a read cycle or vice versa. The signal may remain low for two consecutive write cycles.

5.5.1.6 Size Signals

Size signals ($SIZ[1:0]$) indicate the number of bytes remaining to be transferred during an operand cycle. They are valid while \overline{AS} is asserted. **Table 5-9** shows $SIZ0$ and $SIZ1$ encoding.

Table 5-9 Size Signal Encoding

| SIZ1 | SIZ0 | Transfer Size |
|------|------|---------------|
| 0 | 1 | Byte |
| 1 | 0 | Word |
| 1 | 1 | 3 Byte |
| 0 | 0 | Long word |

5.5.1.7 Function Codes

The CPU generates function code signals ($FC[2:0]$) to indicate the type of activity occurring on the data or address bus. These signals can be considered address extensions that can be externally decoded to determine which of eight external address spaces is accessed during a bus cycle.

Because the CPU16 always operates in supervisor mode ($FC2 = 1$), address spaces 0 to 3 are not used. Address space 7 is designated CPU space. CPU space is used for control information not normally associated with read or write bus cycles. Function codes are valid while \overline{AS} is asserted. **Table 5-10** shows address space encoding.

Table 5-10 Address Space Encoding

| FC2 | FC1 | FC0 | Address Space |
|-----|-----|-----|---------------|
| 1 | 0 | 0 | Reserved |
| 1 | 0 | 1 | Data space |
| 1 | 1 | 0 | Program space |
| 1 | 1 | 1 | CPU space |

5.5.1.8 Data Size Acknowledge Signals

During normal bus transfers, external devices assert the data size acknowledge signals ($DSACK[1:0]$) to indicate port width to the MCU. During a read cycle, these signals tell the MCU to terminate the bus cycle and to latch data. During a write cycle, the signals indicate that an external device has successfully stored data and that the cycle can terminate. $\overline{DSACK[1:0]}$ can also be supplied internally by chip-select logic. Refer to 5.9 Chip-Selects for more information.

5.5.1.9 Bus Error Signal

The bus error signal ($\overline{\text{BERR}}$) is asserted when a bus cycle is not properly terminated by $\overline{\text{DSACK}}$ or $\overline{\text{AVEC}}$ assertion. It can also be asserted in conjunction with $\overline{\text{DSACK}}$ to indicate a bus error condition, provided it meets the appropriate timing requirements. Refer to 5.6.5 Bus Exception Control Cycles for more information.

The internal bus monitor can generate the $\overline{\text{BERR}}$ signal for internal-to-internal and internal-to-external transfers. In systems with an external bus master, the SCIM2 bus monitor must be disabled and external logic must be provided to drive the $\overline{\text{BERR}}$ pin, because the internal $\overline{\text{BERR}}$ monitor has no information about transfers initiated by an external bus master. Refer to 5.6.6 External Bus Arbitration for more information.

5.5.1.10 Halt Signal

The halt signal ($\overline{\text{HALT}}$) can be asserted by an external device for debugging purposes to cause single bus cycle operation or (in combination with $\overline{\text{BERR}}$) a retry of a bus cycle in error. The $\overline{\text{HALT}}$ signal affects external bus cycles only. As a result, a program not requiring use of the external bus may continue executing, unaffected by the $\overline{\text{HALT}}$ signal. When the MCU completes a bus cycle with the $\overline{\text{HALT}}$ signal asserted, DATA[15:0] is placed in a high-impedance state and bus control signals are driven inactive; the address, function code, size, and read/write signals remain in the same state. If $\overline{\text{HALT}}$ is still asserted once bus mastership is returned to the MCU, the address, function code, size, and read/write signals are again driven to their previous states. The MCU does not service interrupt requests while it is halted. Refer to **5.6.5 Bus Exception Control Cycles** for further information.

5.5.1.11 Autovector Signal

The autovector signal ($\overline{\text{AVEC}}$) can be used to terminate external interrupt acknowledgement cycles. Assertion of $\overline{\text{AVEC}}$ causes the CPU16 to generate vector numbers to locate an interrupt handler routine. If $\overline{\text{AVEC}}$ is continuously asserted, autovectors are generated for all external interrupt requests. $\overline{\text{AVEC}}$ is ignored during all other bus cycles. Refer to 5.8 Interrupts for more information. $\overline{\text{AVEC}}$ for external interrupt requests can also be supplied internally by chip-select logic. Refer to 5.9 Chip-Selects for more information. The autovector function is disabled when there is an external bus master. Refer to 5.6.6 External Bus Arbitration for more information.

NOTE

On a fully bonded SCIM2 implementation, the user can assert the $\overline{\text{AVEC/PE2}}$ pin. The $\overline{\text{AVEC/PE2}}$ pin is not available on the MC68HC16Y3/916Y3.

5.5.2 Dynamic Bus Sizing

The MCU dynamically interprets the port size of an addressed device during each bus cycle, allowing operand transfers to or from 8-bit and 16-bit ports.

Freescale Semiconductor, Inc.

During a bus transfer cycle, an external device signals its port size and indicates completion of the bus cycle to the MCU through the use of the \overline{DSACK} inputs, as shown in **Table 5-11**. Chip-select logic can generate data size acknowledge signals for an external device. Refer to 5.9 Chip-Selects for more information.

Table 5-11 Effect of \overline{DSACK} Signals

| $\overline{DSACK1}$ | $\overline{DSACK0}$ | Result |
|---------------------|---------------------|--|
| 1 | 1 | Insert wait states in current bus cycle |
| 1 | 0 | Complete cycle — Data bus port size is 8 bits |
| 0 | 1 | Complete cycle — Data bus port size is 16 bits |
| 0 | 0 | Reserved |

If the CPU is executing an instruction that reads a long-word operand from a 16-bit port, the MCU latches the 16 bits of valid data and then runs another bus cycle to obtain the other 16 bits. The operation for an 8-bit port is similar, but requires four read cycles. The addressed device uses the \overline{DSACK} signals to indicate the port width. For instance, a 16-bit external device always returns \overline{DSACK} for a 16-bit port (regardless of whether the bus cycle is a byte or word operation).

Dynamic bus sizing requires that the portion of the data bus used for a transfer to or from a particular port size be fixed. A 16-bit port must reside on data bus bits [15:0], and an 8-bit port must reside on data bus bits [15:8]. This minimizes the number of bus cycles needed to transfer data and ensures that the MCU transfers valid data.

The MCU always attempts to transfer the maximum amount of data on all bus cycles. For a word operation, it is assumed that the port is 16 bits wide when the bus cycle begins.

Operand bytes are designated as shown in **Figure 5-10**. OP[0:3] represent the order of access. For instance, OP0 is the most significant byte of a long-word operand, and is accessed first, while OP3, the least significant byte, is accessed last. The two bytes of a word-length operand are OP0 (most significant) and OP1. The single byte of a byte-length operand is OP0.

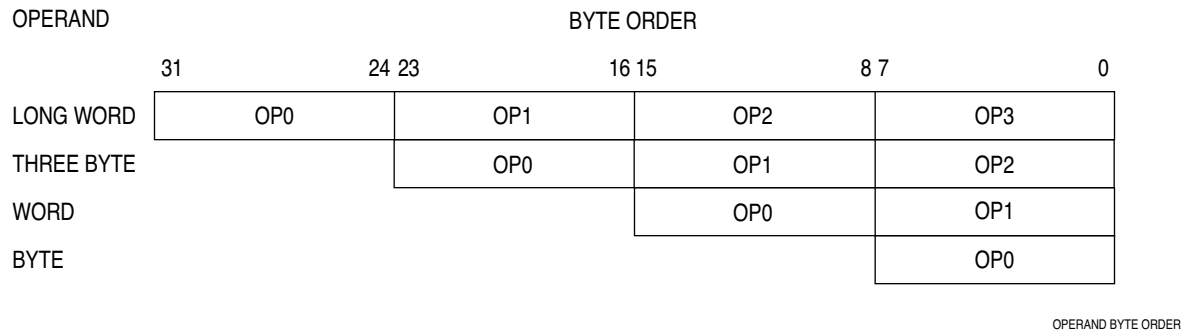


Figure 5-10 Operand Byte Order

5.5.3 Operand Alignment

The EBI data multiplexer establishes the necessary connections for different combinations of address and data sizes. The multiplexer takes the two bytes of the 16-bit bus and routes them to their required positions. Positioning of bytes is determined by the size and address outputs. SIZ1 and SIZ0 indicate the number of bytes remaining to be transferred during the current bus cycle. The number of bytes transferred is equal to or less than the size indicated by SIZ1 and SIZ0, depending on port width.

ADDR0 also affects the operation of the data multiplexer. During a bus transfer, ADDR[23:1] indicate the word base address of the portion of the operand to be accessed, and ADDR0 indicates the byte offset from the base.

NOTE

ADDR[23:20] follow the state of ADDR19 in the MCU.

5.5.4 Misaligned Operands

The CPU16 uses a basic operand size of 16 bits. An operand is misaligned when it overlaps a word boundary. This is determined by the value of ADDR0. When ADDR0 = 0 (an even address), the address is on a word and byte boundary. When ADDR0 = 1 (an odd address), the address is on a byte boundary only. A byte operand is aligned at any address; a word or long-word operand is misaligned at an odd address.

The largest amount of data that can be transferred by a single bus cycle is an aligned word. If the MCU transfers a long-word operand through a 16-bit port, the most significant operand word is transferred on the first bus cycle and the least significant operand word is transferred on a following bus cycle.

The CPU16 can perform misaligned word transfers. This capability makes it compatible with the M68HC11 CPU. The CPU16 treats misaligned long-word transfers as two misaligned word transfers.

5.5.5 Operand Transfer Cases

Table 5-12 shows how operands are aligned for various types of transfers. OPn entries are portions of a requested operand that are read or written during a bus cycle and are defined by SIZ1, SIZ0, and ADDR0 for that bus cycle.

Table 5-12 Operand Alignment

| Current Cycle | Transfer Case | SIZ1 | SIZ0 | ADDR0 | $\overline{DSACK1}$ | $\overline{DSACK0}$ | DATA [15:8] | DATA [7:0] | Next Cycle |
|---------------|--|------|------|-------|---------------------|---------------------|-------------|--------------------|------------|
| 1 | Byte to 8-bit port (even) | 0 | 1 | 0 | 1 | 0 | OP0 | (OP0) ¹ | — |
| 2 | Byte to 8-bit port (odd) | 0 | 1 | 1 | 1 | 0 | OP0 | (OP0) | — |
| 3 | Byte to 16-bit port (even) | 0 | 1 | 0 | 0 | 1 | OP0 | (OP0) | — |
| 4 | Byte to 16-bit port (odd) | 0 | 1 | 1 | 0 | 1 | (OP0) | OP0 | — |
| 5 | Word to 8-bit port (aligned) | 1 | 0 | 0 | 1 | 0 | OP0 | (OP1) | 2 |
| 6 | Word to 8-bit port (misaligned) | 1 | 0 | 1 | 1 | 0 | OP0 | (OP0) | 1 |
| 7 | Word to 16-bit port (aligned) | 1 | 0 | 0 | 0 | 1 | OP0 | OP1 | — |
| 8 | Word to 16-bit port (misaligned) | 1 | 0 | 1 | 0 | 1 | (OP0) | OP0 | 3 |
| 9 | Long word to 8-bit port (aligned) | 0 | 0 | 0 | 1 | 0 | OP0 | (OP1) | 13 |
| 10 | Long word to 8-bit port (misaligned) ² | 1 | 0 | 1 | 1 | 0 | OP0 | (OP0) | 1 |
| 11 | Long word to 16-bit port (aligned) | 0 | 0 | 0 | 0 | 1 | OP0 | OP1 | 7 |
| 12 | Long word to 16-bit port (misaligned) ² | 1 | 0 | 1 | 0 | 1 | (OP0) | OP0 | 3 |
| 13 | Three byte to 8-bit port ³ | 1 | 1 | 1 | 1 | 0 | OP0 | (OP0) | 5 |

NOTES:

1. Operands in parentheses are ignored by the CPU16 during read cycles.
2. The CPU16 treats misaligned long-word transfers as two misaligned-word transfers.
3. Three byte transfer cases occur only as a result of an aligned long word to 8-bit port transfer.

5.6 Bus Operation

Internal microcontroller modules are typically accessed in two system clock cycles. Regular external bus cycles use handshaking between the MCU and external peripherals to manage transfer size and data. These accesses take three system clock cycles, with no wait states. During regular cycles, wait states can be inserted as needed by bus control logic. Refer to 5.6.2 Regular Bus Cycle for more information.

Fast-termination cycles, which are two-cycle external accesses with no wait states, use chip-select logic to generate handshaking signals internally. Refer to 5.6.3 Fast Termination Cycles and 5.9 Chip-Selects for more information. Bus control signal timing, as well as chip-select signal timing, are specified in APPENDIX A ELECTRICAL CHARACTERISTICS. Refer to the *SCIM Reference Manual (SCIMRM/AD)* for more information about each type of bus cycle.

5.6.1 Synchronization to CLKOUT

External devices connected to the MCU bus can operate at a clock frequency different from the frequencies of the MCU as long as the external devices satisfy the interface signal timing constraints. Although bus cycles are classified as asynchronous, they are interpreted relative to the MCU system clock output (CLKOUT).

Descriptions are made in terms of individual system clock states, labelled {S0, S1, S2,..., SN}. The designation "state" refers to the logic level of the clock signal, and does not correspond to any implemented machine state. A clock cycle consists of two successive states. Refer to APPENDIX A ELECTRICAL CHARACTERISTICS for more information.

Bus cycles terminated by \overline{DSACK} assertion normally require a minimum of three CLKOUT cycles. To support systems that use CLKOUT to generate \overline{DSACK} and other inputs, asynchronous input setup time and asynchronous input hold times are specified. When these specifications are met, the MCU is guaranteed to recognize the appropriate signal on a specific edge of the CLKOUT signal.

5.6.2 Regular Bus Cycle

The following paragraphs contain a discussion of cycles that use external bus control logic. Refer to 5.6.3 Fast Termination Cycles for information about fast termination cycles.

To initiate a transfer, the MCU asserts an address and the SIZ[1:0] signals. The SIZ signals and ADDR0 are externally decoded to select the active portion of the data bus. Refer to 5.5.2 Dynamic Bus Sizing. When \overline{AS} , \overline{DS} , and R/\overline{W} are valid, a peripheral device either places data on the bus (read cycle) or latches data from the bus (write cycle), then asserts a $\overline{DSACK}[1:0]$ combination that indicates port size.

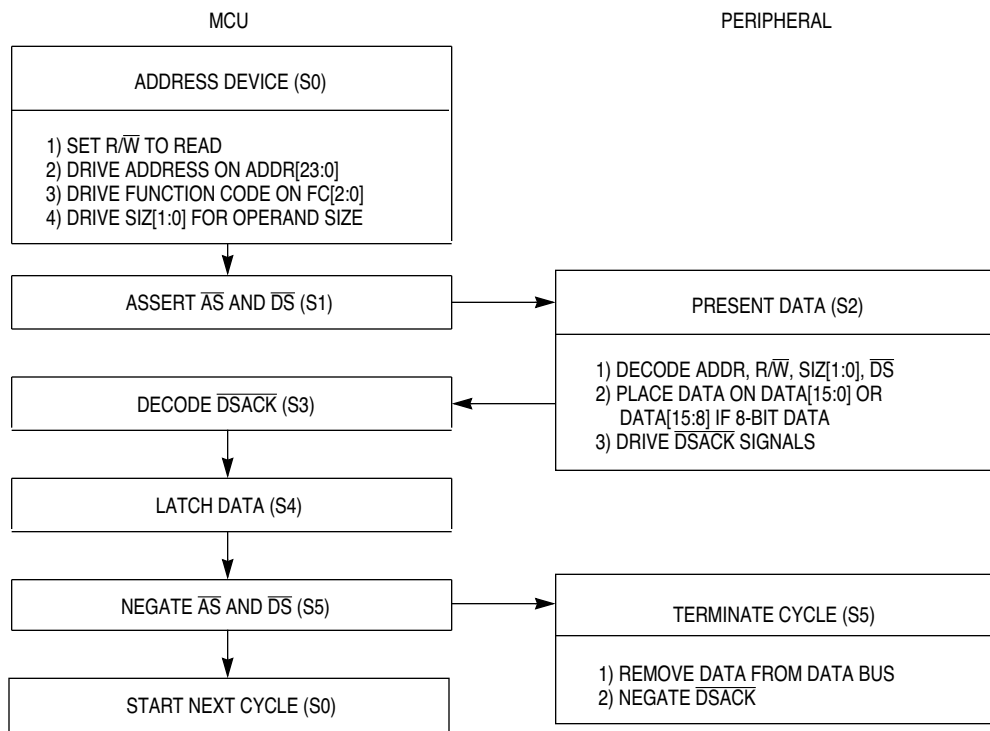
The $\overline{DSACK}[1:0]$ signals can be asserted before the data from a peripheral device is valid on a read cycle. To ensure valid data is latched into the MCU, a maximum period between \overline{DSACK} assertion and \overline{DS} assertion is specified.

There is no specified maximum for the period between the assertion of \overline{AS} and \overline{DSACK} . Although the MCU can transfer data in a minimum of three clock cycles when the cycle is terminated with \overline{DSACK} , the MCU inserts wait cycles in clock period increments until either \overline{DSACK} signal goes low.

If bus termination signals remain unasserted, the MCU will continue to insert wait states, and the bus cycle will never end. If no peripheral responds to an access, or if an access is invalid, external logic should assert the \overline{BERR} or \overline{HALT} signals to abort the bus cycle (when \overline{BERR} and \overline{HALT} are asserted simultaneously, the CPU16 acts as though only \overline{BERR} is asserted). When enabled, the SCIM2 bus monitor asserts \overline{BERR} when \overline{DSACK} response time exceeds a predetermined limit. The bus monitor timeout period is determined by the BMT[1:0] field in SYPCR. The maximum bus monitor timeout period is 64 system clock cycles.

5.6.2.1 Read Cycle

During a read cycle, the MCU transfers data from an external memory or peripheral device. If the instruction specifies a long-word or word operation, the MCU attempts to read two bytes at once. For a byte operation, the MCU reads one byte. The portion of the data bus from which each byte is read depends on operand size, peripheral address, and peripheral port size. **Figure 5-11** is a flow chart of a word read cycle. Refer to 5.5.2 Dynamic Bus Sizing, 5.5.4 Misaligned Operands, and the *SCIM Reference Manual* (SCIMRM/AD) for more information.



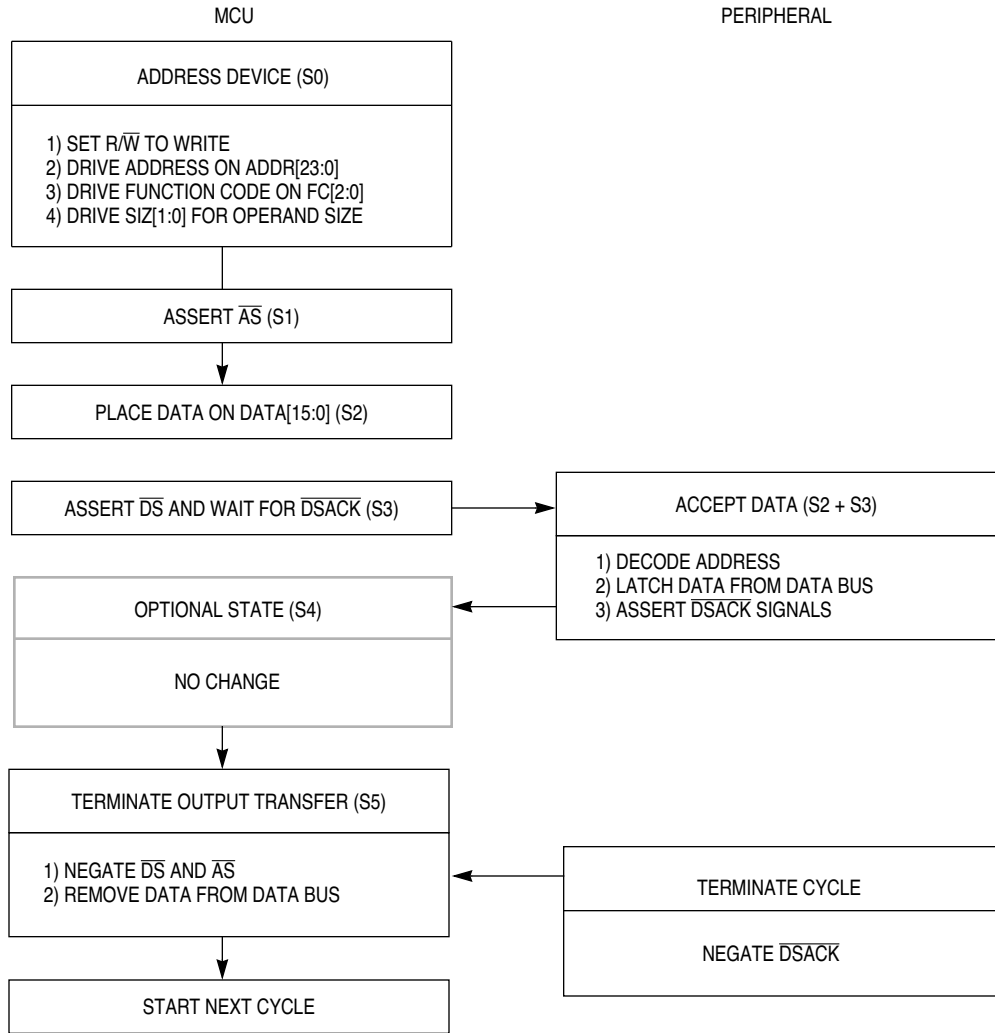
RD CYC FLOW

Figure 5-11 Word Read Cycle Flowchart

5.6.2.2 Write Cycle

During a write cycle, the MCU transfers data to an external memory or peripheral device. If the instruction specifies a long-word or word operation, the MCU attempts to write two bytes at once. For a byte operation, the MCU writes one byte. The portion of the data bus upon which each byte is written depends on operand size, peripheral address, and peripheral port size.

Refer to 5.5.2 Dynamic Bus Sizing and 5.5.4 Misaligned Operands for more information. **Figure 5-12** is a flow chart of a write-cycle operation for a word transfer. Refer to the *SCIM Reference Manual* (SCIMRM/AD) for more information.



WR CYC FLOW

Figure 5-12 Write Cycle Flowchart

5.6.3 Fast Termination Cycles

When an external device can meet fast access timing, an internal chip-select circuit fast termination option can provide a two-cycle external bus transfer. Because the chip-select circuits are driven from the system clock, the bus cycle termination is inherently synchronized with the system clock.

If multiple chip-selects are to be used to provide control signals to a single device and match conditions occur simultaneously, all MODE, STRB, and associated \overline{DSACK} fields must be programmed to the same value. This prevents a conflict on the internal bus when the wait states are loaded into the \overline{DSACK} counter shared by all chip-selects.

Fast termination cycles use internal handshaking signals generated by the chip-select logic. To initiate a transfer, the MCU asserts an address and the SIZ[1:0] signals. When \overline{AS} , \overline{DS} , and R/W are valid, a peripheral device either places data on the bus (read cycle) or latches data from the bus (write cycle). At the appropriate time, chip-select logic asserts data size acknowledge signals.

The \overline{DSACK} option fields in the chip-select option registers determine whether internally generated \overline{DSACK} or externally generated \overline{DSACK} is used. The external \overline{DSACK} lines are always active, regardless of the setting of the \overline{DSACK} field in the chip-select option registers. Thus, an external \overline{DSACK} can always terminate a bus cycle. Holding a \overline{DSACK} line low will cause essentially all external bus cycles to be three-cycle (zero wait states) accesses unless the chip-select option register specifies fast accesses.

NOTE

There are certain exceptions to the three-cycle rule when one or both \overline{DSACK} lines are asserted. Check the current device and mask set errata for details.

For fast termination cycles, the fast termination encoding (%1110) must be used. Refer to 5.9.1 Chip-Select Registers for information about fast termination setup.

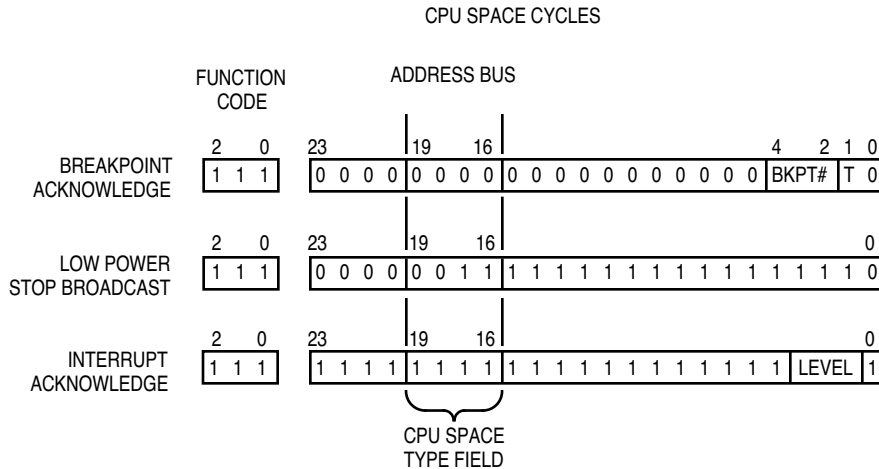
To use fast termination, an external device must be fast enough to have data ready within the specified setup time (for example, by the falling edge of S4). Refer to APPENDIX A ELECTRICAL CHARACTERISTICS for information about fast termination timing.

When fast termination is in use, \overline{DS} is asserted during read cycles but not during write cycles. The STRB field in the chip-select option register used must be programmed with the address strobe encoding to assert the chip-select signal for a fast termination write.

5.6.4 CPU Space Cycles

Function code signals FC[2:0] designate which of eight external address spaces is accessed during a bus cycle. Address space 7 is designated CPU space. CPU space is used for control information not normally associated with read or write bus cycles. Function codes are valid only while \overline{AS} is asserted. Refer to 5.5.1.7 Function Codes for more information on codes and encoding.

During a CPU space access, ADDR[19:16] are encoded to reflect the type of access being made. Three encodings are used by the MCU, as shown in **Figure 5-13**. These encodings represent breakpoint acknowledge (Type \$0) cycles, low power stop broadcast (Type \$3) cycles, and interrupt acknowledge (Type \$F) cycles. Type \$0 and type \$3 cycles are discussed in the following paragraphs. Refer to 5.8 Interrupts for information about interrupt acknowledge bus cycles.



CPU SPACE CYC TIM

Figure 5-13 CPU Space Address Encoding

5.6.4.1 Breakpoint Acknowledge Cycle

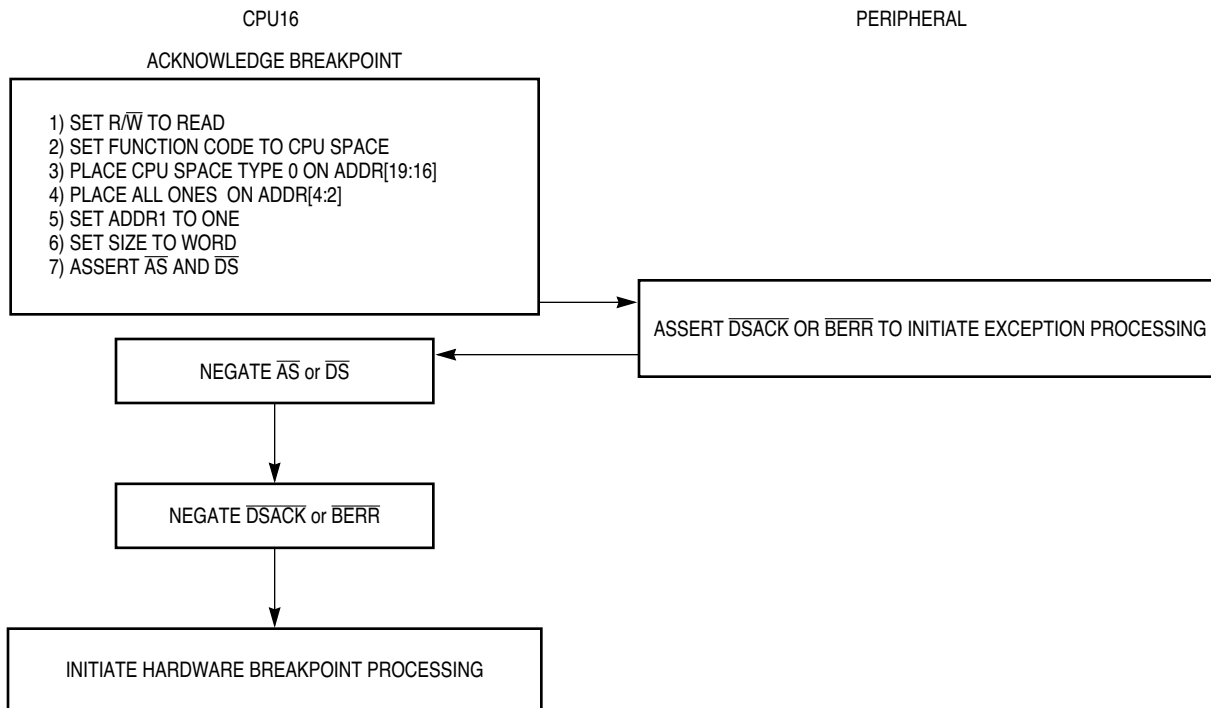
Breakpoints stop program execution at a predefined point during system development. In the MC68HC16Y3/916Y3, breakpoints are treated as a type of exception processing. Breakpoints can be used alone or in conjunction with background debug mode.

The MC68HC16Y3/916Y3 has only one source and type of breakpoint. This is a hardware breakpoint initiated by assertion of the $\overline{\text{BKPT}}$ input. Other modular microcontrollers may have more than one source or type. The breakpoint acknowledge cycle discussed here is the bus cycle that occurs as a part of breakpoint exception processing when a breakpoint is initiated while background debug mode is not enabled.

$\overline{\text{BKPT}}$ is sampled on the same clock phase as data. $\overline{\text{BKPT}}$ is valid, the data is tagged as it enters the CPU16 pipeline. When $\overline{\text{BKPT}}$ is asserted while data is valid during an instruction prefetch, the acknowledge cycle occurs immediately after that instruction has executed. When $\overline{\text{BKPT}}$ is asserted while data is valid during an operand fetch, the acknowledge cycle occurs immediately after execution of the instruction during which it is latched. $\overline{\text{BKPT}}$ is asserted for only one bus cycle and a pipe flush occurs before $\overline{\text{BKPT}}$ is detected by the CPU16, no acknowledge cycle occurs. To ensure detection, $\overline{\text{BKPT}}$ should be asserted until a breakpoint acknowledge cycle is recognized.

When $\overline{\text{BKPT}}$ assertion is acknowledged by the CPU16, the MCU performs a word read from CPU space address \$00001E. This corresponds to the breakpoint number field (ADDR[4:2]) and the type bit (T) being set to all ones (source 7, type 1). If this bus cycle is terminated by $\overline{\text{BERR}}$ or by $\overline{\text{DSACK}}$, the MCU performs breakpoint exception processing. Refer to **Figure 5-14** for a flow chart of the breakpoint operation. Refer to the *SCIM Reference Manual (SCIMRM/AD)* for further information.

BREAKPOINT OPERATION FLOW



CPU16 BREAKPOINT OPERATION FLOW

Figure 5-14 Breakpoint Operation Flowchart

5.6.4.2 LPSTOP Broadcast Cycle

Low-power stop mode is initiated by the CPU16. Individual modules can be stopped by setting the STOP bits in each module configuration register. The SCIM2 can turn off system clocks after execution of the LPSTOP instruction. When the CPU16 executes LPSTOP, the LPSTOP broadcast cycle is generated. The SCIM2 brings the MCU out of low-power mode when either an interrupt of higher priority than the interrupt mask level in the CPU16 condition code register or a reset occurs. Refer to **5.3.4 Low-Power Operation** and SECTION 4 CENTRAL PROCESSOR UNIT for more information.

During an LPSTOP broadcast cycle, the CPU16 performs a CPU space write to address \$3FFFE. This write puts a copy of the interrupt mask value in the clock control logic. The mask is encoded on the data bus as shown in **Figure 5-15**.

The LPSTOP CPU space cycle is shown externally (if the bus is available) as an indication to external devices that the MCU is going into low-power stop mode. The SCIM2 provides an internally generated DSACK response to this cycle. The timing of this bus cycle is the same as for a fast termination write cycle. If the bus is not available (arbitrated away), the LPSTOP broadcast cycle is not shown externally.

NOTE

$\overline{\text{BERR}}$ during the LPSTOP broadcast cycle is ignored.

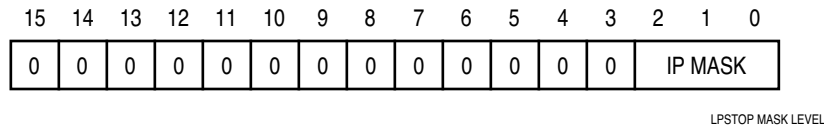


Figure 5-15 LPSTOP Interrupt Mask Level

5.6.5 Bus Exception Control Cycles

An external device or a chip-select circuit must assert at least one of the $\overline{\text{DSACK}}[1:0]$ signals or the $\overline{\text{AVEC}}$ signal to terminate a bus cycle normally. Bus exception control cycles are used when bus cycles are not terminated in the expected manner. There are two sources of bus exception control cycles.

- Bus error signal ($\overline{\text{BERR}}$)
 - When $\overline{\text{DSACK}}$ is not asserted within a specified period after assertion of $\overline{\text{AS}}$, the internal bus monitor asserts internal $\overline{\text{BERR}}$.
 - The spurious interrupt monitor asserts internal $\overline{\text{BERR}}$ when an interrupt request is acknowledged and no IARB contention occurs. $\overline{\text{BERR}}$ assertion terminates a cycle and causes the MCU to process a bus error exception.
 - External devices can assert $\overline{\text{BERR}}$ to indicate an external bus error.
- Halt signal ($\overline{\text{HALT}}$)
 - $\overline{\text{HALT}}$ can be asserted by an external device to cause single bus cycle operation. $\overline{\text{HALT}}$ is typically used for debugging purposes.

To control termination of a bus cycle for a bus error condition properly, $\overline{\text{DSACK}}$, $\overline{\text{BERR}}$, and $\overline{\text{HALT}}$ must be asserted and negated synchronously with the rising edge of CLKOUT. This ensures that setup time and hold time requirements are met for the same falling edge of the MCU clock when two signals are asserted simultaneously. Refer to APPENDIX A ELECTRICAL CHARACTERISTICS for more information. External circuitry that provides these signals must be designed with these constraints in mind, or the internal bus monitor must be used.

Table 5-13 is a summary of the acceptable bus cycle terminations for asynchronous cycles in relation to $\overline{\text{DSACK}}$ assertion.

Table 5-13 \overline{DSACK} , \overline{BERR} , and \overline{HALT} Assertion Results

| Type of Termination | Control Signal | Asserted on Rising Edge of State | | Description of Result |
|---------------------|--|---|---|--|
| | | S ¹ | S + 2 | |
| NORMAL | \overline{DSACK} \overline{BERR} \overline{HALT} | A ² NA ³ NA | RA ⁴ NA X ⁵ | Normal cycle terminate and continue. |
| HALT | \overline{DSACK} \overline{BERR} \overline{HALT} | A NA A/RA | RA NA RA | Normal cycle terminate and halt. Continue when \overline{HALT} is negated. |
| BUS ERROR 1 | \overline{DSACK} \overline{BERR} \overline{HALT} | NA/A A NA | X RA X | Terminate and take bus error exception. |
| BUS ERROR 2 | \overline{DSACK} \overline{BERR} \overline{HALT} | A A NA | X RA NA | Terminate and take bus error exception. |
| BUS ERROR 3 | \overline{DSACK} \overline{BERR} \overline{HALT} | NA/A A A/S | X RA RA | Terminate and take bus error exception. |
| BUS ERROR 4 | \overline{DSACK} \overline{BERR} \overline{HALT} | A NA NA | X A A | Terminate and take bus error exception. |

NOTES:

1. S = The number of current even bus state (for example, S2, S4, etc.)
2. A = Signal is asserted in this bus state.
3. NA = Signal is not asserted in this state.
4. RA = Signal was asserted in previous state and remains asserted in this state.
5. X = Don't care

5.6.5.1 Bus Errors

The CPU16 treats bus errors as a type of exception. Bus error exception processing begins when the CPU16 detects assertion of the IMB \overline{BERR} signal.

\overline{BERR} assertions do not force immediate exception processing. The signal is synchronized with normal bus cycles and is latched into the CPU16 at the end of the bus cycle in which it was asserted. Because bus cycles can overlap instruction boundaries, bus error exception processing may not occur at the end of the instruction in which the bus cycle begins. Timing of \overline{BERR} detection/acknowledge is dependent upon several factors:

- Which bus cycle of an instruction is terminated by assertion of \overline{BERR} .
- The number of bus cycles in the instruction during which \overline{BERR} is asserted.
- The number of bus cycles in the instruction following the instruction in which \overline{BERR} is asserted.
- Whether \overline{BERR} is asserted during a program space access or a data space access.

Because of these factors, it is impossible to predict precisely how long after occurrence of a bus error the bus error exception is processed.

NOTE

The external bus interface does not latch data when an external bus cycle is terminated by a bus error. When this occurs during an instruction prefetch, the IMB precharge state (bus pulled high, or \$FF) is latched into the CPU16 instruction register, with indeterminate results.

5.6.5.2 Double Bus Faults

Exception processing for bus error exceptions follows the standard exception processing sequence. Refer to 4.13 Exceptions for more information. However, two special cases of bus error, called double bus faults, can abort exception processing.

$\overline{\text{BERR}}$ assertion is not detected until an instruction is complete. The $\overline{\text{BERR}}$ latch is cleared by the first instruction of the $\overline{\text{BERR}}$ exception handler. Double bus fault occurs in two ways:

1. When bus error exception processing begins, and a second $\overline{\text{BERR}}$ is detected before the first instruction of the exception handler is executed.
2. When one or more bus errors occur before the first instruction after a RESET exception is executed.

Multiple bus errors within a single instruction that can generate multiple bus cycles cause a single bus error exception after the instruction has been executed.

Immediately after assertion of a second $\overline{\text{BERR}}$, the MCU halts and drives the $\overline{\text{HALT}}$ line low. Only a reset can restart a halted MCU. However, bus arbitration can still occur. Refer to 5.6.6 External Bus Arbitration for more information. A bus error or address error that occurs after exception processing has been completed (during the execution of the exception handler routine, or later) does not cause a double bus fault. The MCU continues to retry the same bus cycle as long as the external hardware requests it.

5.6.5.3 Halt Operation

When $\overline{\text{HALT}}$ is asserted while $\overline{\text{BERR}}$ is not asserted, the MCU halts external bus activity after negation of $\overline{\text{DSACK}}$. The MCU may complete the current word transfer in progress. For a long-word to byte transfer, this could be after S2 or S4. For a word to byte transfer, activity ceases after S2.

Negating and reasserting $\overline{\text{HALT}}$ according to timing requirements provides single-step (bus cycle to bus cycle) operation. The $\overline{\text{HALT}}$ signal affects external bus cycles only, so that a program that does not use external bus can continue executing. During dynamically-sized 8-bit transfers, external bus activity may not stop at the next cycle 8-bit transfers, external bus activity may not stop at the next cycle boundary. Occurrence of a bus error while $\overline{\text{HALT}}$ is asserted causes the CPU16 to process a bus error exception.

When the MCU completes a bus cycle while the $\overline{\text{HALT}}$ signal is asserted, the data bus goes into a high-impedance state and the $\overline{\text{AS}}$ and $\overline{\text{DS}}$ signals are driven to their inactive states. Address, function code, size, and read/write signals remain in the same state.

The halt operation has no effect on bus arbitration. However, when external bus arbitration occurs while the MCU is halted, address and control signals go into a high-impedance state. If $\overline{\text{HALT}}$ is still asserted when the MCU regains state. If $\overline{\text{HALT}}$ is still asserted when the MCU regains control of the bus, address, function code, size, and read/write signals revert to the previous driven states. The MCU cannot service interrupt requests while halted.

5.6.6 External Bus Arbitration

The MCU bus design provides for a single bus master at any one time. Either the MCU or an external device can be master. Bus arbitration protocols determine when an external device can become bus master. Bus arbitration requests are recognized during normal processing, $\overline{\text{HALT}}$ assertion, and when the CPU has halted due to a double bus fault.

The bus controller in the MCU manages bus arbitration signals so that the MCU has the lowest priority. External devices that need to obtain the bus must assert bus arbitration signals in the sequences described in the following paragraphs.

Systems that include several devices that can become bus master require external circuitry to assign priorities to the devices, so that when two or more external devices attempt to become bus master at the same time, the one having the highest priority becomes bus master first. The protocol sequence is:

1. An external device asserts the bus request signal ($\overline{\text{BR}}$).
2. The MCU asserts the bus grant signal ($\overline{\text{BG}}$) to indicate that the bus is available.
3. An external device asserts the bus grant acknowledge ($\overline{\text{BGACK}}$) signal to indicate that it has assumed bus mastership.

$\overline{\text{BR}}$ can be asserted during a bus cycle or between cycles. $\overline{\text{BG}}$ is asserted in response to $\overline{\text{BR}}$. To guarantee operand coherency, $\overline{\text{BG}}$ is only asserted at the end of operand transfer.

If more than one external device can be bus master, required external arbitration must begin when a requesting device receives $\overline{\text{BG}}$. An external device must assert $\overline{\text{BGACK}}$ when it assumes mastership, and must maintain $\overline{\text{BGACK}}$ assertion as long as it is bus master.

Two conditions must be met for an external device to assume bus mastership. The device must receive $\overline{\text{BG}}$ through the arbitration process, and $\overline{\text{BGACK}}$ must be inactive, indicating that no other bus master is active. This technique allows the processing of bus requests during data transfer cycles.

$\overline{\text{BG}}$ is negated a few clock cycles after $\overline{\text{BGACK}}$ transition. However, if bus requests are still pending after $\overline{\text{BG}}$ is negated, the MCU asserts $\overline{\text{BG}}$ again within a few clock cycles.

Freescale Semiconductor, Inc.

This additional \overline{BG} assertion allows external arbitration circuitry to select the next bus master before the current master has released the bus.

Refer to **Figure 5-16**, which shows bus arbitration for a single device. The flow chart shows \overline{BR} negated at the same time \overline{BGACK} is asserted.

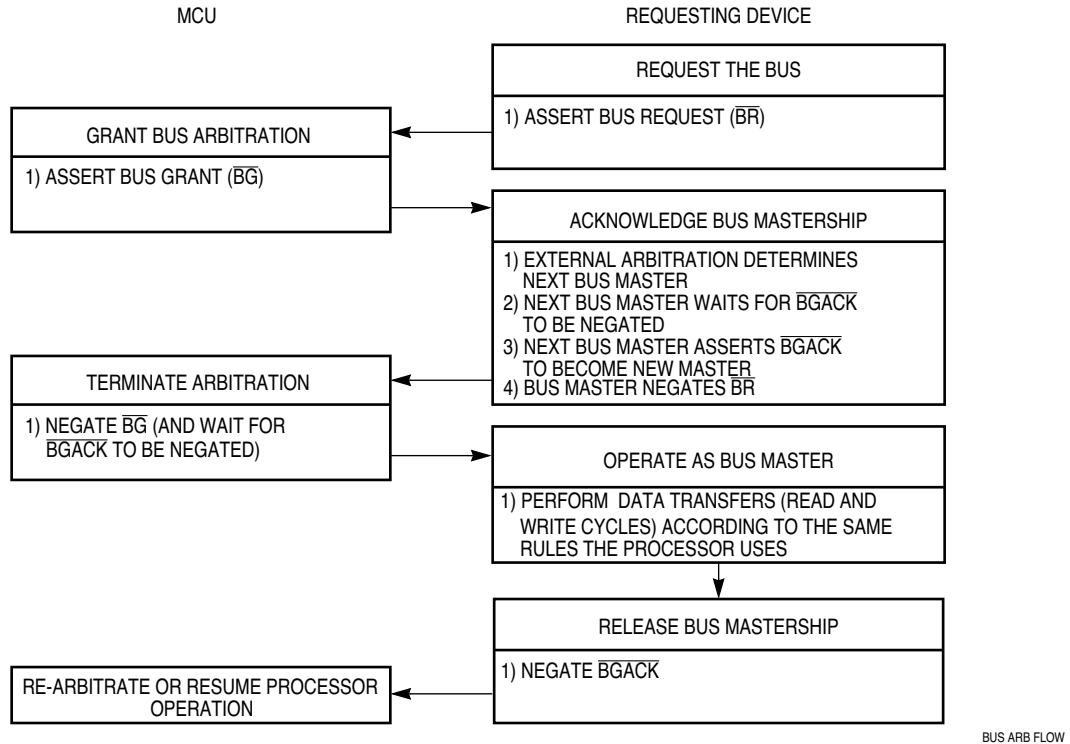


Figure 5-16 Bus Arbitration Flowchart for Single Request

5.6.6.1 Show Cycles

The MCU normally performs internal data transfers without affecting the external bus, but it is possible to show these transfers during debugging. \overline{AS} is not asserted externally during show cycles.

Show cycles are controlled by the SHEN[1:0] in SCIMCR. This field set to %00 by reset. When show cycles are disabled, the address bus, function codes, size, and read/write signals reflect internal bus activity, but \overline{AS} and \overline{DS} are not asserted externally and external data bus pins are in high-impedance state during internal accesses. Refer to 5.2.4 Show Internal Cycles and the *SCIM Reference Manual (SCIMRM/AD)* for more information.

When show cycles are enabled, \overline{DS} is asserted externally during internal cycles, and internal data is driven out on the external data bus. Because internal cycles normally continue to run when the external bus is granted, one SHEN[1:0] encoding halts internal bus activity while there is an external master.

SIZ[1:0] signals reflect bus allocation during show cycles. Only the appropriate portion of the data bus is valid during the cycle. During a byte write to an internal address, the portion of the bus that represents the byte that is not written reflects internal bus conditions, and is indeterminate. During a byte write to an external address, the data multiplexer in the SCIM2 causes the value of the byte that is written to be driven out on both bytes of the data bus.

5.7 Reset

Reset occurs when an active low logic level on the $\overline{\text{RESET}}$ pin is clocked into the SCIM2. The $\overline{\text{RESET}}$ input is synchronized to the system clock. If there is no clock when $\overline{\text{RESET}}$ is asserted, reset does not occur until the clock starts. Resets are clocked to allow completion of write cycles in progress at the time $\overline{\text{RESET}}$ is asserted.

Reset procedures handle system initialization and recovery from catastrophic failure. The MCU performs resets with a combination of hardware and software. The SCIM2 determines whether a reset is valid, asserts control signals, performs basic system configuration and boot ROM selection based on hardware mode-select inputs, then passes control to the CPU16.

5.7.1 Reset Exception Processing

The CPU16 processes resets as a type of asynchronous exception. An exception is an event that preempts normal processing, and can be caused by internal or external events. Exception processing makes the transition from normal instruction execution to execution of a routine that deals with an exception. Each exception has an assigned vector that points to an associated handler routine. These vectors are stored in the exception vector table. The exception vector table consists of 256 four-byte vectors and occupies 512 bytes of address space. The exception vector table can be relocated in memory by changing its base address in the vector base register (VBR). The CPU16 uses vector numbers to calculate displacement into the table. Refer to 4.13 Exceptions for more information.

Reset is the highest-priority CPU16 exception. Unlike all other exceptions, a reset occurs at the end of a bus cycle, and not at an instruction boundary. Handling resets in this way prevents write cycles in progress at the time the reset signal is asserted from being corrupted. However, any processing in progress is aborted by the reset exception, and cannot be restarted. Only essential reset tasks are performed during exception processing. Other initialization tasks must be accomplished by the exception handler routine. Refer to 5.7.9 Reset Processing Summary for details on exception processing.

5.7.2 Reset Control Logic

SCIM2 reset control logic determines the cause of a reset, synchronizes request signals to CLKOUT, and asserts reset control signals. Reset control logic can drive three different internal signals.

- EXTRST (external reset) drives the external reset pin.
- CLKRST (clock reset) resets the clock module.
- MSTRST (master reset) goes to all other internal circuits.

All resets are gated by CLKOUT. Asynchronous resets are assumed to be catastrophic. An asynchronous reset can occur on any clock edge. Synchronous resets are timed to occur at the end of bus cycles. The SCIM2 bus monitor is automatically enabled for synchronous resets. When a bus cycle does not terminate normally, the bus monitor terminates it. **Table 5-14** is a summary of reset sources.

Table 5-14 Reset Source Summary

| Type | Source | Timing | Cause | Reset Lines Asserted by Controller | | |
|-------------------|----------|--------|---|------------------------------------|--------|--------|
| External | External | Synch | RESET pin | MSTRST | CLKRST | EXTRST |
| Power up | EBI | Asynch | V _{DD} | MSTRST | CLKRST | EXTRST |
| Software watchdog | Monitor | Asynch | Time out | MSTRST | CLKRST | EXTRST |
| HALT | Monitor | Asynch | Internal HALT assertion (e.g. double bus fault) | MSTRST | CLKRST | EXTRST |
| Loss of clock | Clock | Synch | Loss of reference | MSTRST | CLKRST | EXTRST |
| Test | Test | Synch | Test mode | MSTRST | — | EXTRST |

Internal single byte or aligned word writes are guaranteed valid for synchronous resets. External writes are also guaranteed to complete, provided the external configuration logic on the data bus is conditioned as shown in **Figure 5-17**.

5.7.3 Operating Configuration Out of Reset

The logic states of certain pins during reset determine SCIM2 operating configuration. During reset, the SCIM2 reads pin configuration from DATA[11:2] and DATA0, internal module configuration from DATA[15:12], and basic operating information from BERR, MODCLK, DATA1, and BKPT. These pins are normally pulled high internally during reset, causing the MCU to default to a specific configuration. However, the user can drive the desired pins low during reset to achieve alternate configurations.

Basic operating options include system clock selection, background mode disable/enable, and external bus configuration. The SCIM2 supports three external bus configurations:

- Fully-expanded operation with a 24-bit address bus and 16-bit data bus with chip selects
- Single-chip operation with no external address and data bus
- Partially-expanded operation with a 24-bit address bus and an 8-bit external data bus

Table 5-15 shows the basic configuration options.

Table 5-15 Basic Configuration Options

| Select Pin | Default Function (Pin Left High) | Alternate Function (Pin Pulled Low) |
|--|----------------------------------|-------------------------------------|
| MODCLK | Synthesized system clock | External system clock |
| $\overline{\text{BKPT}}$ | Background mode disabled | Background mode enabled |
| $\overline{\text{BERR}}$ | Expanded mode | Single-chip mode |
| DATA1 (if $\overline{\text{BERR}} = 1$) | 8-Bit expanded mode | 16-Bit expanded mode |

$\overline{\text{BERR}}$, $\overline{\text{BKPT}}$, and MODCLK do not have internal pull-ups and must be driven to the desired state during reset.

When $\overline{\text{BERR}}$ is high during reset, the MCU is configured for partially or fully expanded operation. DATA2 is then decoded to select 8- or 16-bit data bus operation, DATA8 is decoded to configure pins for bus control or port E operation, and DATA9 is decoded to configure pins for interrupt requests or port F operation. If DATA1 is held low at reset, selecting 16-bit data bus operation, DATA11, DATA[7:2] and DATA0 are also decoded. The following subsections explain the process in greater detail.

5.7.3.1 Address and Data Bus Pin Functions

External bus configuration determines whether certain address and data pins are used for those functions or for general-purpose I/O. ADDR[18:3] serve as pins for ports A and B when the MCU is operating in single-chip mode. DATA[7:0] serve as port H pins in partially expanded and single-chip modes, and DATA[15:8] serve as port G pins during single-chip operation. **Table 5-16** summarizes bus and port configuration options.

Table 5-16 Bus and Port Configuration Options

| Mode | Address Bus | Data Bus | I/O Ports |
|-----------------|-------------|------------|--|
| 16-Bit Expanded | ADDR[18:3] | DATA[15:0] | — |
| 8-Bit Expanded | ADDR[18:3] | DATA[15:8] | DATA[7:0] = Port H |
| Single Chip | None | None | ADDR[18:11] = Port A ADDR[10:3] = Port B DATA[15:8] = Port G DATA[7:0] = Port H |

ADDR[2:0] are normally placed in a high-impedance state in single-chip mode and function as normal address bus pins in the expanded modes. Refer to D.2.1 SCIM Configuration Register for information on the address bus disable (ABD) bit.

The ADDR[23:19] pins can also be used as chip selects or discrete output pins, depending on the external bus configuration selected at reset. The following paragraphs contain a summary of pin configuration options for each external bus configuration.

5.7.3.2 Data Bus Mode Selection

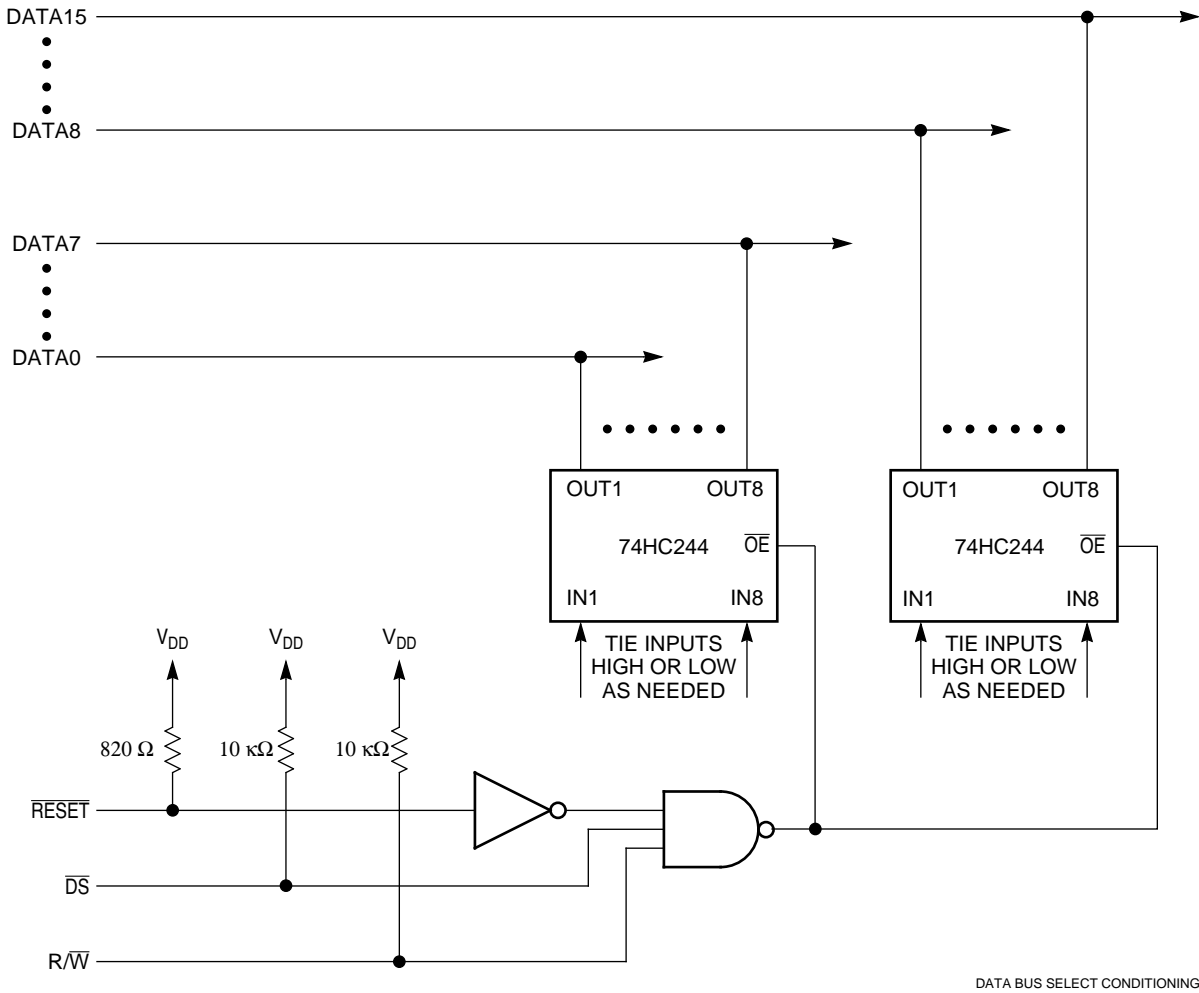
All data lines have weak internal pull-up devices. When pins are held high by the internal pull-ups, the MCU uses a default operating configuration. However, specific lines can be held low externally during reset to achieve an alternate configuration.

NOTE

External bus loading can overcome the weak internal pull-up drivers on data bus lines and hold pins low during reset.

Use an active device to hold data bus lines low. Data bus configuration logic must release the bus before the first bus cycle after reset to prevent conflict with external memory devices. The first bus cycle occurs ten CLKOUT cycles after $\overline{\text{RESET}}$ is released. If external mode selection logic causes a conflict of this type, an isolation resistor on the driven lines may be required. **Figure 5-17** shows a recommended method for conditioning the mode select signals.

The mode configuration drivers are conditioned with R/\overline{W} and \overline{DS} to prevent conflicts between external devices and the MCU when reset is asserted. If external $\overline{\text{RESET}}$ is asserted during an external write cycle, R/\overline{W} conditioning (as shown in **Figure 5-17**) prevents corruption of the data during the write. Similarly, \overline{DS} conditions the mode configuration drivers so that external reads are not corrupted when $\overline{\text{RESET}}$ is asserted during an external read cycle.



DATA BUS SELECT CONDITIONING

Figure 5-17 Preferred Circuit for Data Bus Mode Select Conditioning

Alternate methods can be used for driving data bus pins low during reset. **Figure 5-18** shows two of these options. The simplest is to connect a resistor in series with a diode from the data bus pin to the $\overline{\text{RESET}}$ line. A bipolar transistor can be used for the same purpose, but an additional current limiting resistor must be connected between the base of the transistor and the $\overline{\text{RESET}}$ pin. If a MOSFET is substituted for the bipolar transistor, only the 1 k Ω isolation resistor is required. These simpler circuits do not offer the protection from potential memory corruption during $\overline{\text{RESET}}$ assertion as does the circuit shown in **Figure 5-17**.

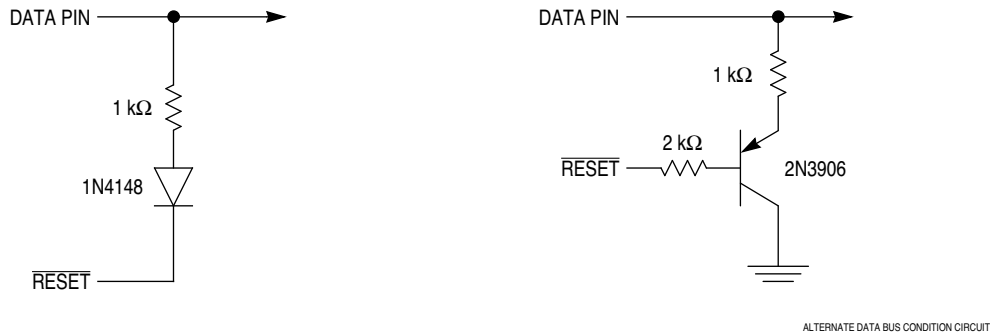


Figure 5-18 Alternate Circuit for Data Bus Mode Select Conditioning

Data bus mode select current is specified in APPENDIX A ELECTRICAL CHARACTERISTICS. Do not confuse pin function with pin electrical state. Refer to 5.7.5 Pin State During Reset for more information.

5.7.3.3 16-Bit Expanded Mode

16-bit data bus operation is selected when $\overline{\text{BERR}} = 1$ and $\text{DATA1} = 0$ during reset. In this configuration, pins $\text{ADDR}[18:3]$ and $\text{DATA}[15:0]$ are configured as address and data pins, respectively. The alternate functions for these pins as ports A, B, G, and H are unavailable. $\text{ADDR}[23:20]$ can be configured as chip selects or address bus pins. $\text{ADDR}[2:0]$ are configured as address bus pins.

DATA2 determines the functions of $\overline{\text{BR}}/\overline{\text{CS0}}$, $\overline{\text{FC0}}/\overline{\text{CS3}}$, and $\overline{\text{FC2}}/\overline{\text{CS5}}$. $\text{DATA}[7:3]$ determine the functions of $\text{ADDR}[23:19]/\overline{\text{CS}}[10:6]$. A data bus pin pulled low selects the associated chip select and all lower-numbered chip-selects down through $\overline{\text{CS6}}$. For example, if DATA5 is pulled low during reset, $\overline{\text{CS}}[8:6]$ are configured as address bus signals $\text{ADDR}[21:19]$, and $\overline{\text{CS}}[10:9]$ are configured as chip selects. On MC68HC16Y3/916Y3 MCUs, $\text{ADDR}[23:20]$ follow the state of $\text{ADDR}19$, and $\text{DATA}[7:4]$ have limited use. Refer to 5.9.4 Chip-Select Reset Operation for more information.

DATA8 determines the function of the $\overline{\text{DSACK}}[1:0]$, $\overline{\text{DS}}$, $\overline{\text{AS}}$, and $\text{SIZ}[1:0]$ pins. If DATA8 is held low during reset, these pins are used for discrete I/O (port E).

DATA9 determines the function of interrupt request pins ($\overline{\text{IRQ}}[7:0]$) and the clock mode select pin (MODCLK). When DATA9 is held low during reset, these pins are used for discrete I/O (port F).

DATA11 determines whether the SCIM2 operates in test mode out of reset. This capability is used for factory testing of the MCU.

Freescale Semiconductor, Inc.

DATA0 determines the port size of the boot ROM chip-select signal $\overline{\text{CSBOOT}}$. Unlike other chip-select signals, $\overline{\text{CSBOOT}}$ is active at the release of reset. When DATA0 is held low, port size is 8 bits; when DATA0 is held high, either by the weak internal pull-up driver or by an external pull-up, port size is 16 bits. Refer to 5.9.4 Chip-Select Reset Operation for more information.

Table 5-17 summarizes pin function options for 16-bit data bus operation.

Table 5-17 16-Bit Expanded Mode Reset Configuration

| Pin(s) Affected | Select Pin | Default Function (Pin Held High) | Alternate Function (Pin Held Low) |
|---|---|--|--|
| $\overline{\text{CSBOOT}}$ | DATA0 | $\overline{\text{CSBOOT}}$ 16-Bit | $\overline{\text{CSBOOT}}$ 8-Bit |
| BR/ $\overline{\text{CS0}}$ FC0/ $\overline{\text{CS3}}$ FC1/ $\overline{\text{PC1}}$ FC2/ $\overline{\text{CS5/PC2}}$ | DATA2 | $\overline{\text{CS0}}$ $\overline{\text{CS3}}$ FC1 $\overline{\text{CS5}}$ | $\overline{\text{BR}}$ FC0 FC1 FC2 |
| ADDR19/ $\overline{\text{CS6/PC3}}$ ADDR20/ $\overline{\text{CS7/PC4}}$ ADDR21/ $\overline{\text{CS8/PC5}}$ ADDR22/ $\overline{\text{CS9/PC6}}$ ADDR23/ $\overline{\text{CS10/ECLK}}$ | DATA3 DATA4 DATA5 DATA6 DATA7 | $\overline{\text{CS6}}$ $\overline{\text{CS[7:6]}}$ $\overline{\text{CS[8:6]}}$ $\overline{\text{CS[9:6]}}$ $\overline{\text{CS[10:6]}}$ | ADDR19 ADDR[20:19] ADDR[21:19] ADDR[22:19] ADDR[23:19] |
| $\overline{\text{DSACK0/PE0}}$ $\overline{\text{DSACK1/PE1}}$ DS/PE4 $\overline{\text{AS/PE5}}$ SIZ0/PE6 SIZ1/PE7 | DATA8 | $\overline{\text{DSACK0}}$ $\overline{\text{DSACK1}}$ DS $\overline{\text{AS}}$ SIZ0 SIZ1 | PE0 PE1 PE4 PE5 PE6 PE7 |
| FASTREF/PF0 $\overline{\text{IRQ[7:1]/PF[7:1]}}$ | DATA9 | FASTREF $\overline{\text{IRQ[7:1]}}$ | PF0 PF[7:1] |
| BGACK/ $\overline{\text{CSE}}$ BG/ $\overline{\text{CSM}}$ | DATA10 | BGACK BG | $\overline{\text{CSE}}^1$ $\overline{\text{CSM}}^2$ |
| Reserved | DATA11 ³ | Normal Operation | Reserved |
| Emulation Mode (SCIM2) | DATA10 | Disabled | Enabled |
| STOP Mode (TPUFLASH) | DATA12 | Array Enabled ⁴ | Array Disabled |
| STOP Mode (MRM) | DATA14 | Array Enabled ⁵ | Array Disabled |
| STOP Mode (16K, 48K, and 32K Flash EEPROM Modules) | DATA14 | Array Enabled ⁶ | Array Disabled |

NOTES:

1. CSE is enabled when DATA10 and DATA1 = 0 during reset.
2. CSM is enabled when DATA13, DATA10 and DATA1 = 0 during reset.
3. DATA11 must remain high during reset to ensure normal operation of MCU.
4. Driven to put TPUFLASH in STOP mode. STOP mode disabled when DATA12 is held high and STOP shadow bit is cleared (MC68HC916Y3 only).
5. Driven to put MRM in STOP mode. STOP mode disabled when DATA14 is held high and STOP shadow bit is cleared (MC68HC16Y3 only).
6. Driven to put 16K, 48K, and 32K flash EEPROM modules in STOP mode. STOP mode disabled when DATA14 is held high and STOP shadow bit is cleared (MC68HC916Y3 only).

5.7.3.4 8-Bit Expanded Mode

The SCIM2 uses an 8-bit data bus when $\overline{\text{BERR}} = 1$ and $\text{DATA1} = 1$ during reset. In this configuration, pins $\text{DATA}[7:0]$ are configured as port H, an 8-bit I/O port. Pins $\text{DATA}[15:8]$ are configured as data bus pins, and $\text{ADDR}[18:3]$ are configured as address bus pins. The alternate functions for these address and data bus pins as ports A, B, and G are unavailable. $\text{ADDR}[23:19]/\overline{\text{CS}}[10:6]$ are configured as chip selects. $\text{ADDR}[2:0]$ are configured as address bus pins. Emulator mode is always disabled.

DATA8 determines the function of the $\overline{\text{DSACK}}[1:0]$, $\overline{\text{DS}}$, $\overline{\text{AS}}$, and $\text{SIZ}[1:0]$ pins. If DATA8 is held low during reset, these pins are used for discrete I/O (port E).

DATA9 determines the function of interrupt request pins ($\overline{\text{IRQ}}[7:1]$) and the clock mode select pin (MODCLK). When DATA9 is held low during reset, these pins are used for discrete I/O (port F).

Table 5-18 summarizes pin function selections for 8-bit data bus operation.

Table 5-18 8-Bit Expanded Mode Reset Configuration

| Pin(s) Affected | Select Pin | Default Function (Pin Held High) | Alternate Function (Pin Held Low) |
|---|------------------|--|--|
| $\overline{\text{CSBOOT}}$ | N/A ¹ | $\overline{\text{CSBOOT}}$ 8-Bit | $\overline{\text{CSBOOT}}$ 8-Bit |
| $\overline{\text{BR}}/\overline{\text{CS0}}$ $\overline{\text{FC0}}/\overline{\text{CS3}}/\overline{\text{PC0}}$ $\overline{\text{FC1}}/\overline{\text{PC1}}$ $\overline{\text{FC2}}/\overline{\text{CS5}}/\overline{\text{PC2}}$ | N/A ¹ | $\overline{\text{CS0}}$ $\overline{\text{CS3}}$ $\overline{\text{FC1}}$ $\overline{\text{CS5}}$ | $\overline{\text{BR}}$ $\overline{\text{FC0}}$ $\overline{\text{FC1}}$ $\overline{\text{FC2}}$ |
| $\text{ADDR19}/\overline{\text{CS6}}/\overline{\text{PC3}}$ $\text{ADDR20}/\overline{\text{CS7}}/\overline{\text{PC4}}$ $\text{ADDR21}/\overline{\text{CS8}}/\overline{\text{PC5}}$ $\text{ADDR22}/\overline{\text{CS9}}/\overline{\text{PC6}}$ $\text{ADDR23}/\overline{\text{CS10}}/\overline{\text{ECLK}}$ | N/A ¹ | $\overline{\text{CS}}[10:6]$ | $\overline{\text{CS}}[10:6]$ |
| $\overline{\text{DSACK0}}/\overline{\text{PE0}}$ $\overline{\text{DSACK1}}/\overline{\text{PE1}}$ $\overline{\text{DS}}/\overline{\text{PE4}}$ $\overline{\text{AS}}/\overline{\text{PE5}}$ $\text{SIZ0}/\overline{\text{PE6}}$ $\text{SIZ1}/\overline{\text{PE7}}$ | DATA8 | $\overline{\text{DSACK0}}$ $\overline{\text{DSACK1}}$ $\overline{\text{DS}}$ $\overline{\text{AS}}$ SIZ0 SIZ1 | $\overline{\text{PE0}}$ $\overline{\text{PE1}}$ $\overline{\text{PE4}}$ $\overline{\text{PE5}}$ $\overline{\text{PE6}}$ $\overline{\text{PE7}}$ |
| $\overline{\text{FASTREF}}/\overline{\text{PF0}}$ $\overline{\text{IRQ}}[7:1]/\overline{\text{PF}}[7:1]$ | DATA9 | $\overline{\text{FASTREF}}$ $\overline{\text{IRQ}}[7:1]$ | $\overline{\text{PF0}}$ $\overline{\text{PF}}[7:1]$ |
| $\overline{\text{BGACK}}/\overline{\text{CSE}}$ $\overline{\text{BG}}/\overline{\text{CSM}}$ | N/A ¹ | $\overline{\text{BGACK}}$ $\overline{\text{BG}}$ | $\overline{\text{BGACK}}$ $\overline{\text{BG}}$ |

NOTES:

1. These pins have only one reset configuration in 8-bit expanded mode.

5.7.3.5 Single-Chip Mode

Single-chip operation is selected when $\overline{\text{BERR}} = 0$ during reset. $\overline{\text{BERR}}$ can be tied low permanently to select this configuration. In single-chip configuration, pins DATA[15:0] are configured as two 8-bit I/O ports, ports G and H. ADDR[18:3] are configured as two 8-bit I/O ports, ports A and B. There is no external data bus path. Expanded mode configuration options are not available: I/O ports A, B, C, E, F, G, and H are always selected. ADDR[2:0] come out of reset in a high-impedance state. After reset, clearing the ABD bit in SCIMCR enables these pins, and leaving the bit set (its single-chip reset state) leaves the pins in a disabled (high-impedance) state.

Table 5-19 summarizes SCIM2 pin functions during single-chip operation.

Table 5-19 Single-Chip Mode Reset Configuration

| Pin(s) Affected | Function |
|---|-----------------------------------|
| $\overline{\text{CSBOOT}}$ | $\overline{\text{CSBOOT}}$ 16-Bit |
| ADDR[18:11] | PA[7:0] |
| ADDR[10:3] | PB[7:0] |
| BR/ $\overline{\text{CS0}}$ | $\overline{\text{CS0}}$ |
| FC0/ $\overline{\text{CS3}}$ /PC0 FC1/PC1 FC2/ $\overline{\text{CS5}}$ /PC2 ADDR19/ $\overline{\text{CS6}}$ /PC3 ADDR20/ $\overline{\text{CS7}}$ /PC4 ADDR21/ $\overline{\text{CS8}}$ /PC5 ADDR22/ $\overline{\text{CS9}}$ /PC6 | PC[6:0] |
| ADDR23/ $\overline{\text{CS10}}$ /ECLK | — |
| DSACK0/PE0 DSACK1/PE1 DS/PE4 $\overline{\text{AS}}$ /PE5 SIZ0/PE6 SIZ1/PE7 | PE[7:4], [1:0] |
| FASTREF/PF0 $\overline{\text{IRQ}}$ [7:6]/PF[7:6] | PF0 PF[7:6] |
| DATA[15:8] | PG[7:0] |
| DATA[7:0] | PH[7:0] |
| BGACK, $\overline{\text{CSE}}$ BG/CSM | $\overline{\text{BGACK}}$ BG |

5.7.3.6 Clock Mode Selection

The state of the clock mode (MODCLK) pin during reset determines what clock source the MCU uses. When MODCLK is held high during reset, the clock signal is generated from a reference frequency using the clock synthesizer. When MODCLK is held low during reset, the clock synthesizer is disabled, and an external system clock signal must be applied. Refer to 5.3 System Clock for more information.

NOTE

The MODCLK pin can also be used as parallel I/O pin PF0. To prevent inadvertent clock mode selection by logic connected to port F, use an active device to drive MODCLK during reset.

5.7.3.7 Breakpoint Mode Selection

Background debug mode (BDM) is enabled when the breakpoint ($\overline{\text{BKPT}}$) pin is sampled at a logic level zero at the release of $\overline{\text{RESET}}$. Subsequent assertion of the $\overline{\text{BKPT}}$ pin or the internal breakpoint signal (for instance, the execution of the CPU16 BKPT instruction) will place the CPU16 in BDM.

If $\overline{\text{BKPT}}$ is sampled at a logic level one at the rising edge of $\overline{\text{RESET}}$, BDM is disabled. Assertion of the $\overline{\text{BKPT}}$ pin or execution of the BKPT instruction will result in normal breakpoint exception processing.

BDM remains enabled until the next system reset. $\overline{\text{BKPT}}$ is relatched on each rising transition of $\overline{\text{RESET}}$. $\overline{\text{BKPT}}$ is internally synchronized and must be held low for at least two clock cycles prior to $\overline{\text{RESET}}$ negation for BDM to be enabled. $\overline{\text{BKPT}}$ assertion logic must be designed with special care. If $\overline{\text{BKPT}}$ assertion extends into the first bus cycle following the release of $\overline{\text{RESET}}$, the bus cycle could inadvertently be tagged with a breakpoint.

Refer to 4.14.4 Background Debug Mode and the *CPU16 Reference Manual* (CPU16RM/AD) for more information on background debug mode. Refer to the *SCIM Reference Manual* (SCIMRM/AD) and APPENDIX A ELECTRICAL CHARACTERISTICS for more information concerning BKPT signal timing.

5.7.3.8 Emulation Mode Selection

The SCIM2 contains logic that can be used to replace on-chip ports externally. The SCIM2 also contains special support logic that allows external emulation of internal ROM. This emulation support feature enables the development of a single-chip application in expanded mode.

NOTE

The masked ROM is available only on the MC68HC16Y3.

Emulator mode is a special type of 16-bit expanded operation. It is entered by holding DATA10 low, $\overline{\text{BERR}}$ high, and DATA1 low during reset. In emulator mode, all port A, B, E, G, and H data and data direction registers and the port E pin assignment register are mapped externally. Port C data, port F data and data direction registers, and port F pin assignment register are accessible normally in emulator mode.

An emulator chip select ($\overline{\text{CSE}}$) is asserted whenever any of the externally-mapped registers are addressed. The signal is asserted on the falling edge of $\overline{\text{AS}}$. The SCIM2 does not respond to these accesses, allowing external logic, such as a port replacement unit (PRU) to respond. Accesses to externally mapped registers require three clock cycles.

Freescale Semiconductor, Inc.

External ROM emulation is enabled by holding DATA1, DATA10, and DATA13 low during reset (BERR must be held high during reset to enable the ROM module). While ROM emulation mode is enabled, memory chip select signal $\overline{\text{CSM}}$ is asserted whenever a valid access to an address assigned to the masked ROM array is made.

The ROM module does not acknowledge IMB accesses while in emulation mode. This causes the SCIM2 to run an external bus cycle for each access.

NOTE

The MC68HC916Y3 flash modules do not yet support the emulator mode. If ROM emulation is enabled, the $\overline{\text{CSM}}$ chip-select will be driven high at all times.

5.7.4 MCU Module Pin Function During Reset

Usually, module pins default to port functions and input/output ports are set to input state. This is accomplished by disabling pin functions in the appropriate control registers and by clearing the appropriate port data direction registers. Refer to individual module sections in this manual for more information. **Table 5-20** is a summary of module pin function out of reset. Refer to APPENDIX D REGISTER SUMMARY for register function and reset state.

Table 5-20 Module Pin Functions

| Module ¹ | Pin Mnemonic | Function |
|---------------------|-------------------|-------------------|
| ADC | PADA[7:0]/AN[7:0] | Discrete input |
| | V _{RH} | Reference voltage |
| | V _{RL} | Reference voltage |
| CPU | DSI/IPIPE1 | DSI/IPIPE1 |
| | DSO/IPIPE0 | DSO/IPIPE0 |
| | BKPT/DSCLK | BKPT/DSCLK |
| CTM7 | CPWM[19:18] | Discrete output |
| | CTS16[A:B] | Discrete input |
| | CTS14[A:B] | Discrete input |
| | CTS12[A:B] | Discrete input |
| | CTS10[A:B] | Discrete input |
| | CTS8[A:B] | Discrete input |
| | CTS6[A:B] | Discrete input |
| | CTD[5:4] | Discrete input |
| CTM2C | Discrete input | |

Table 5-20 Module Pin Functions

| Module ¹ | Pin Mnemonic | Function |
|---------------------|-----------------------|----------------|
| MCCI | TXDA/PMC7 | Discrete input |
| | RXDA/PMC6 | Discrete input |
| | TXDB/PMC5 | Discrete input |
| | RXDB/PMC4 | Discrete input |
| | \overline{SS} /PMC3 | Discrete input |
| | SCK/PMC2 | Discrete input |
| | MOSI/PMC1 | Discrete input |
| | MISO/PMC0 | Discrete input |

NOTES:

1. Module port pins may be in an indeterminate state for up to 15 milliseconds at power-up.

5.7.5 Pin State During Reset

It is important to keep the distinction between pin function and pin electrical state clear. Although control register values and mode select inputs determine pin function, a pin driver can be active, inactive or in high-impedance state while reset occurs. During power-on reset, pin state is subject to the constraints discussed in 5.7.7 Power-On Reset.

NOTE

Pins that are not used should either be configured as outputs, or (if configured as inputs) pulled to the appropriate inactive state. This decreases additional I_{DD} caused by digital inputs floating near mid-supply level.

5.7.5.1 Reset States of SCIM2 Pins

Generally, while \overline{RESET} is asserted, SCIM2 pins either go to an inactive high-impedance state or are driven to their inactive states. After \overline{RESET} is released, mode selection occurs, and reset exception processing begins. Pins configured as inputs must be driven to the desired active state. Pull-up or pull-down circuitry may be necessary. Pins configured as outputs begin to function after \overline{RESET} is released.

Table 5-21 is a summary of SCIM2 pin states during reset.

Table 5-21 SCIM2 Pin Reset States

| Pin(s) | Pin State While RESET Asserted | Pin State After RESET Released | | | |
|-----------------------------|--------------------------------|--------------------------------|-----------------|--------------------|-----------------|
| | | Default Function | | Alternate Function | |
| | | Pin Function | Pin State | Pin Function | Pin State |
| CS10/ADDR23/ECLK | V _{DD} | CS10 | V _{DD} | ADDR23 | Unknown |
| CS[9:6]/ADDR[22:19]/PC[6:3] | V _{DD} | CS[9:6] | V _{DD} | ADDR[22:19] | Unknown |
| ADDR[18:0] | High-Z | ADDR[18:0] | Unknown | ADDR[18:0] | Unknown |
| AS/PE5 | High-Z | AS | Output | PE5 | Input |
| BERR | High-Z | BERR | Input | BERR | Input |
| CSM/BG | V _{DD} | CS1 | V _{DD} | BG | V _{DD} |
| CSE/BGACK | V _{DD} | CS2 | V _{DD} | BGACK | Input |
| CS0/BR | V _{DD} | CS0 | V _{DD} | BR | Input |
| CLKOUT | Output | CLKOUT | Output | CLKOUT | Output |
| CSBOOT | V _{DD} | CSBOOT | V _{SS} | CSBOOT | V _{SS} |
| DATA[15:0] | Mode select | DATA[15:0] | Input | DATA[15:0] | Input |
| DS/PE4 | High-Z | DS | Output | PE4 | Input |
| DSACK0/PE0 | High-Z | DSACK0 | Input | PE0 | Input |
| DSACK1/PE1 | High-Z | DSACK1 | Input | PE1 | Input |
| CS[5:3]/FC[2:0]/PC[2:0] | V _{DD} | CS[5:3] | V _{DD} | FC[2:0] | Unknown |
| HALT | High-Z | HALT | Input | HALT | Input |
| IRQ[7:1]/PF[7:1] | High-Z | IRQ[7:1] | Input | PF[7:1] | Input |
| FASTREF/PF0 | Mode Select | FASTREF | Input | PF0 | Input |
| R/W | High-Z | R/W | Output | R/W | Output |
| RESET | Asserted | RESET | Input | RESET | Input |
| SIZ[1:0]/PE[7:6] | High-Z | SIZ[1:0] | Unknown | PE[7:6] | Input |
| TSC | Mode select | TSC | Input | TSC | Input |

5.7.5.2 Reset States of Pins Assigned to Other MCU Modules

As a rule, module pins that are assigned to general-purpose I/O ports go into a high-impedance state following reset. However, during power-on reset, module port pins may be in an indeterminate state for a short period. Refer to 5.7.7 Power-On Reset for more information.

5.7.6 Reset Timing

The RESET input must be asserted for a specified minimum period for reset to occur. External RESET assertion can be delayed internally for a period equal to the longest bus cycle time (or the bus monitor timeout period) in order to protect write cycles from being aborted by reset. While RESET is asserted, SCIM2 pins are either in an inactive, high impedance state or are driven to their inactive states.

When an external device asserts RESET for the proper period, reset control logic clocks the signal into an internal latch. The control logic drives the RESET pin low for an additional 512 CLKOUT cycles after it detects that the RESET signal is no longer being externally driven to guarantee this length of reset to the entire system.

If an internal source asserts a reset signal, the reset control logic asserts the $\overline{\text{RESET}}$ pin for a minimum of 512 cycles. If the reset signal is still asserted at the end of 512 cycles, the control logic continues to assert the $\overline{\text{RESET}}$ pin until the internal reset signal is negated.

After 512 cycles have elapsed, the $\overline{\text{RESET}}$ pin goes to an inactive, high-impedance state for ten cycles. At the end of this 10-cycle period, the $\overline{\text{RESET}}$ input is tested. When the input is at logic level one, reset exception processing begins. If, however, the $\overline{\text{RESET}}$ input is at logic level zero, reset control logic drives the pin low for another 512 cycles. At the end of this period, the pin again goes to high-impedance state for ten cycles, then it is tested again. The process repeats until external $\overline{\text{RESET}}$ is released.

5.7.7 Power-On Reset

When the SCIM2 clock synthesizer is used to generate system clocks, power-on reset involves special circumstances related to application of the system and the clock synthesizer power. Regardless of clock source, voltage must be applied to clock synthesizer power input pin V_{DDSYN} for the MCU to operate. The following discussion assumes that V_{DDSYN} is applied before and during reset, which minimizes crystal start-up time. When V_{DDSYN} is applied at power-on, start-up time is affected by specific crystal parameters and by oscillator circuit design. V_{DD} ramp-up time also affects pin state during reset. Refer to APPENDIX A ELECTRICAL CHARACTERISTICS for voltage and timing specifications.

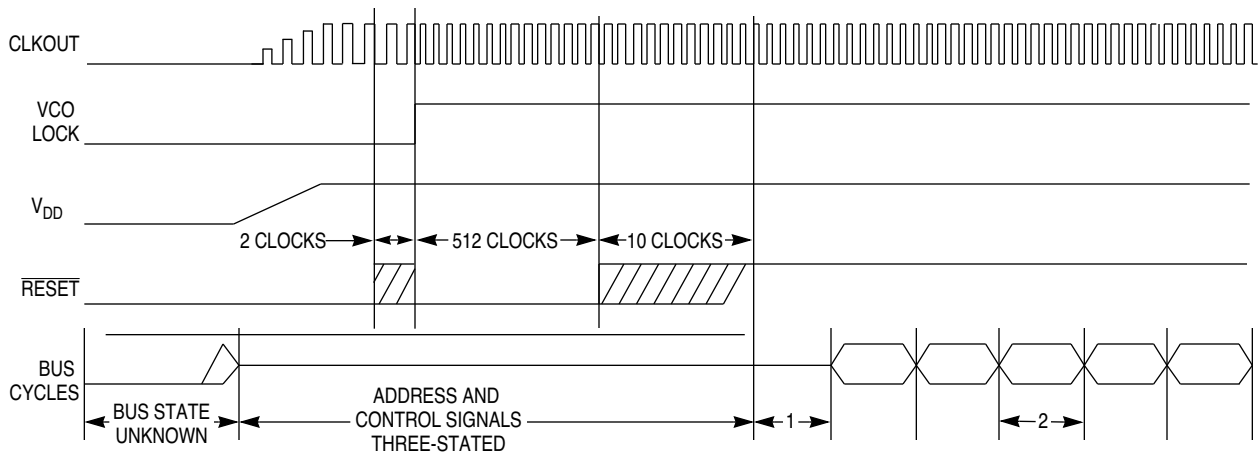
During power-on reset, an internal circuit in the SCIM2 drives the IMB internal (MSTRST) and external (EXTRST) reset lines. The power-on reset circuit releases the internal reset line as V_{DD} ramps up to the minimum operating voltage, and SCIM2 pins are initialized to the values shown in **Table 5-21**. When V_{DD} reaches the minimum operating voltage, the clock synthesizer VCO begins operation. Clock frequency ramps up to specified limp mode frequency (f_{limp}). The external $\overline{\text{RESET}}$ line remains asserted until the clock synthesizer PLL locks and 512 CLKOUT cycles elapse.

NOTE

V_{DDSYN} and all V_{DD} pins must be powered. Applying power to V_{DDSYN} only will cause errant behavior of the MCU.

The SCIM2 clock synthesizer provides clock signals to the other MCU modules. After the clock is running and MSTRST is asserted for at least four clock cycles, these modules reset. V_{DD} ramp time and VCO frequency ramp time determine how long the four cycles take. Worst case is approximately 15 milliseconds. During this period, module port pins may be in an indeterminate state. While input-only pins can be put in a known state by external pull-up resistors, external logic on input/output or output-only pins during this time must condition the lines. Active drivers require high-impedance buffers or isolation resistors to prevent conflict.

Figure 5-19 is a timing diagram for power-on reset. It shows the relationships between $\overline{\text{RESET}}$, V_{DD} , and bus signals.



NOTES:

1. INTERNAL START-UP TIME
2. FIRST INSTRUCTION FETCHED

16 POR TIM

Figure 5-19 Power-On Reset

5.7.8 Use of the Three-State Control Pin

Asserting the three-state control (TSC) input causes the MCU to put all output drivers in a disabled, high-impedance state. The signal must remain asserted for approximately ten clock cycles in order for drivers to change state.

When the internal clock synthesizer is used (MODCLK held high during reset), synthesizer ramp-up time affects how long the ten cycles take. Worst case is approximately 20 milliseconds from TSC assertion.

When an external clock signal is applied (MODCLK held low during reset), pins go to high-impedance state as soon after TSC assertion as approximately ten clock pulses have been applied to the EXTAL pin.

NOTE

When TSC assertion takes effect, internal signals are forced to values that can cause inadvertent mode selection. Once the output drivers change state, the MCU must be powered down and restarted before normal operation can resume.

5.7.9 Reset Processing Summary

To prevent write cycles in progress from being corrupted, a reset is recognized at the end of a bus cycle, and not at an instruction boundary. Any processing in progress at the time a reset occurs is aborted. After SCIM2 reset control logic has synchronized an internal or external reset request, the MSTRST signal is asserted.

The following events take place when MSTRST is asserted.

1. Instruction execution is aborted.
2. The condition code register is initialized.
 - a. The IP field is set to \$7, disabling all interrupts below priority 7.
 - b. The S bit is set, disabling LPSTOP mode.
 - c. The SM bit is cleared, disabling MAC saturation mode.
3. The K register is cleared.

NOTE

All CCR bits that are not initialized are not affected by reset. However, out of power-on reset, these bits are indeterminate.

The following events take place when MSTRST is negated after assertion.

1. The CPU16 samples the $\overline{\text{BKPT}}$ input.
2. The CPU16 fetches RESET vectors in the following order:
 - a. Initial ZK, SK, and PK extension field values
 - b. Initial PC
 - c. Initial SP
 - d. Initial IZ value

Vectors can be fetched from internal RAM or from external ROM enabled by the $\overline{\text{CSBOOT}}$ signal.

3. The CPU16 begins fetching instructions pointed to by the initial PK: PC.

5.7.10 Reset Status Register

The reset status register (RSR) contains a bit for each reset source in the MCU. When a reset occurs, a bit corresponding to the reset type is set. When multiple causes of reset occur at the same time, more than one bit in RSR may be set. The reset status register is updated by the reset control logic when the $\overline{\text{RESET}}$ signal is released. Refer to APPENDIX D REGISTER SUMMARY.

5.8 Interrupts

Interrupt recognition and servicing involve complex interaction between the SCIM2, the CPU16, and a device or module requesting interrupt service. This discussion provides an overview of the entire interrupt process. Chip-select logic can also be used to respond to interrupt requests. Refer to 5.9 Chip-Selects for more information.

5.8.1 Interrupt Exception Processing

The CPU16 handles interrupts as a type of asynchronous exception. An exception is an event that preempts normal processing. Exception processing makes the transition from normal instruction execution to execution of a routine that deals with an exception. Each exception has an assigned vector that points to an associated handler routine. These vectors are stored in a vector table located in the first 512 bytes of address bank 0. The CPU16 uses vector numbers to calculate displacement into the table. Refer to 4.13 Exceptions for more information.

5.8.2 Interrupt Priority and Recognition

The CPU16 provides for seven levels of interrupt priority (1 – 7), seven automatic interrupt vectors, and 200 assignable interrupt vectors. All interrupts with priorities less than seven can be masked by the interrupt priority (IP) field in the condition code register.

There are seven interrupt request signals ($\overline{\text{IRQ}}[7:1]$). These signals are used internally on the IMB, and there are corresponding pins for external interrupt service requests. The CPU16 treats all interrupt requests as though they come from internal modules; external interrupt requests are treated as interrupt service requests from the SCIM2. Each of the interrupt request signals corresponds to an interrupt priority level. $\overline{\text{IRQ}}1$ has the lowest priority and $\overline{\text{IRQ}}7$ the highest.

The IP field consists of three bits (CCR[7:5]). Binary values %000 to %111 provide eight priority masks. Masks prevent an interrupt request of a priority less than or equal to the mask value (except for $\overline{\text{IRQ}}7$) from being recognized and processed. When IP contains %000, no interrupt is masked. During exception processing, the IP field is set to the priority of the interrupt being serviced.

Interrupt recognition is determined by interrupt priority level and interrupt priority (IP) mask value. The interrupt priority mask consists of three bits in the CPU16 condition code register (CCR[7:5]). Binary values %000 to %111 provide eight priority masks. Masks prevent an interrupt request of a priority less than or equal to the mask value from being recognized and processed. $\overline{\text{IRQ}}7$, however, is always recognized, even if the mask value is %111.

$\overline{\text{IRQ}}[7:1]$ are active-low level-sensitive inputs. The low on the pin must remain asserted until an interrupt acknowledge cycle corresponding to that level is detected.

$\overline{\text{IRQ}}7$ is transition-sensitive as well as level-sensitive: a level-7 interrupt is not detected unless a falling edge transition is detected on the $\overline{\text{IRQ}}7$ line. This prevents redundant servicing and stack overflow. A non-maskable interrupt is generated each time $\overline{\text{IRQ}}7$ is asserted as well as each time the priority mask is written while $\overline{\text{IRQ}}7$ is asserted. If $\overline{\text{IRQ}}7$ is asserted and the IP mask is written to any new value (including %111), $\overline{\text{IRQ}}7$ will be recognized as a new $\overline{\text{IRQ}}7$.

Interrupt requests are sampled on consecutive falling edges of the system clock. Interrupt request input circuitry has hysteresis. To be valid, a request signal must be asserted for at least two consecutive clock periods. Valid requests do not cause immediate exception processing, but are left pending. Pending requests are processed at instruction boundaries or when exception processing of higher-priority interrupts is complete.

The CPU16 does not latch the priority of a pending interrupt request. If an interrupt source of higher priority makes a service request while a lower priority request is pending, the higher priority request is serviced. If an interrupt request with a priority equal to or lower than the current IP mask value is made, the CPU16 does not recognize the occurrence of the request. If simultaneous interrupt requests of different priorities are made, and both have a priority greater than the mask value, the CPU16 recognizes the higher-level request.

5.8.3 Interrupt Acknowledge and Arbitration

When the CPU16 detects one or more interrupt requests of a priority higher than the interrupt priority mask value, it places the interrupt request level on the address bus and initiates a CPU space read cycle. The request level serves two purposes: it is decoded by modules or external devices that have requested interrupt service, to determine whether the current interrupt acknowledge cycle pertains to them, and it is latched into the interrupt priority mask field in the CPU16 condition code register to preclude further interrupts of lower priority during interrupt service.

Modules or external devices that have requested interrupt service must decode the IP mask value placed on the address bus during the interrupt acknowledge cycle and respond if the priority of the service request corresponds to the mask value. However, before modules or external devices respond, interrupt arbitration takes place.

Arbitration is performed by means of serial contention between values stored in individual module interrupt arbitration (IARB) fields. Each module that can make an interrupt service request, including the SCIM2, has an IARB field in its configuration register. IARB fields can be assigned values from %0000 to %1111. In order to implement an arbitration scheme, each module that can request interrupt service must be assigned a unique, non-zero IARB field value during system initialization. Arbitration priorities range from %0001 (lowest) to %1111 (highest) — if the CPU16 recognizes an interrupt service request from a source that has an IARB field value of %0000, a spurious interrupt exception is processed.

WARNING

Do not assign the same arbitration priority to more than one module. When two or more IARB fields have the same nonzero value, the CPU16 interprets multiple vector numbers at the same time, with unpredictable consequences.

Because the EBI manages external interrupt requests, the SCIM2 IARB value is used for arbitration between internal and external interrupt requests. The reset value of IARB for the SCIM2 is %1111, and the reset IARB value for all other modules is %0000.

Although arbitration is intended to deal with simultaneous requests of the same interrupt level, it always takes place, even when a single source is requesting service. This is important for two reasons: the EBI does not transfer the interrupt acknowledge read cycle to the external bus unless the SCIM2 wins contention, and failure to contend causes the interrupt acknowledge bus cycle to be terminated early by a bus error.

When arbitration is complete, the module with both the highest asserted interrupt level and the highest arbitration priority must terminate the bus cycle. Internal modules place an interrupt vector number on the data bus and generate appropriate internal cycle termination signals. In the case of an external interrupt request, after the interrupt acknowledge cycle is transferred to the external bus, the appropriate external device must respond with a vector number, then generate data size acknowledge (\overline{DSACK}) termination signals. If the device does not respond in time, the SCIM2 bus monitor, if enabled, asserts the bus error signal (\overline{BERR}), and a spurious interrupt exception is taken.

Chip-select logic can also be used to generate internal \overline{DSACK} signals in response to interrupt acknowledgement cycles. Refer to 5.9.3 Using Chip-Select Signals for Interrupt Acknowledge for more information. Chip-select address match logic functions only after the EBI transfers an interrupt acknowledge cycle to the external bus following IARB contention. All interrupts from internal modules have their associated IACK cycles terminated with an internal \overline{DSACK} . Thus, user vectors (instead of autovectors) must always be used for interrupts generated from internal modules. If an internal module makes an interrupt request of a certain priority, and the appropriate chip-select registers are programmed to generate \overline{DSACK} signals in response to an interrupt acknowledge cycle for that priority level, chip-select logic does not respond to the interrupt acknowledge cycle, and the internal module supplies a vector number and generates internal cycle termination signals.

For periodic timer interrupts, the PIRQ[2:0] field in the periodic interrupt control register (PICR) determines PIT priority level. A PIRQ[2:0] value of %000 means that PIT interrupts are inactive. By hardware convention, when the CPU16 receives simultaneous interrupt requests of the same level from more than one SCIM2 source (including external devices), the periodic interrupt timer is given the highest priority, followed by the \overline{IRQ} pins.

5.8.4 Interrupt Processing Summary

A summary of the entire interrupt processing sequence follows. When the sequence begins, a valid interrupt service request has been detected and is pending.

Freescale Semiconductor, Inc.

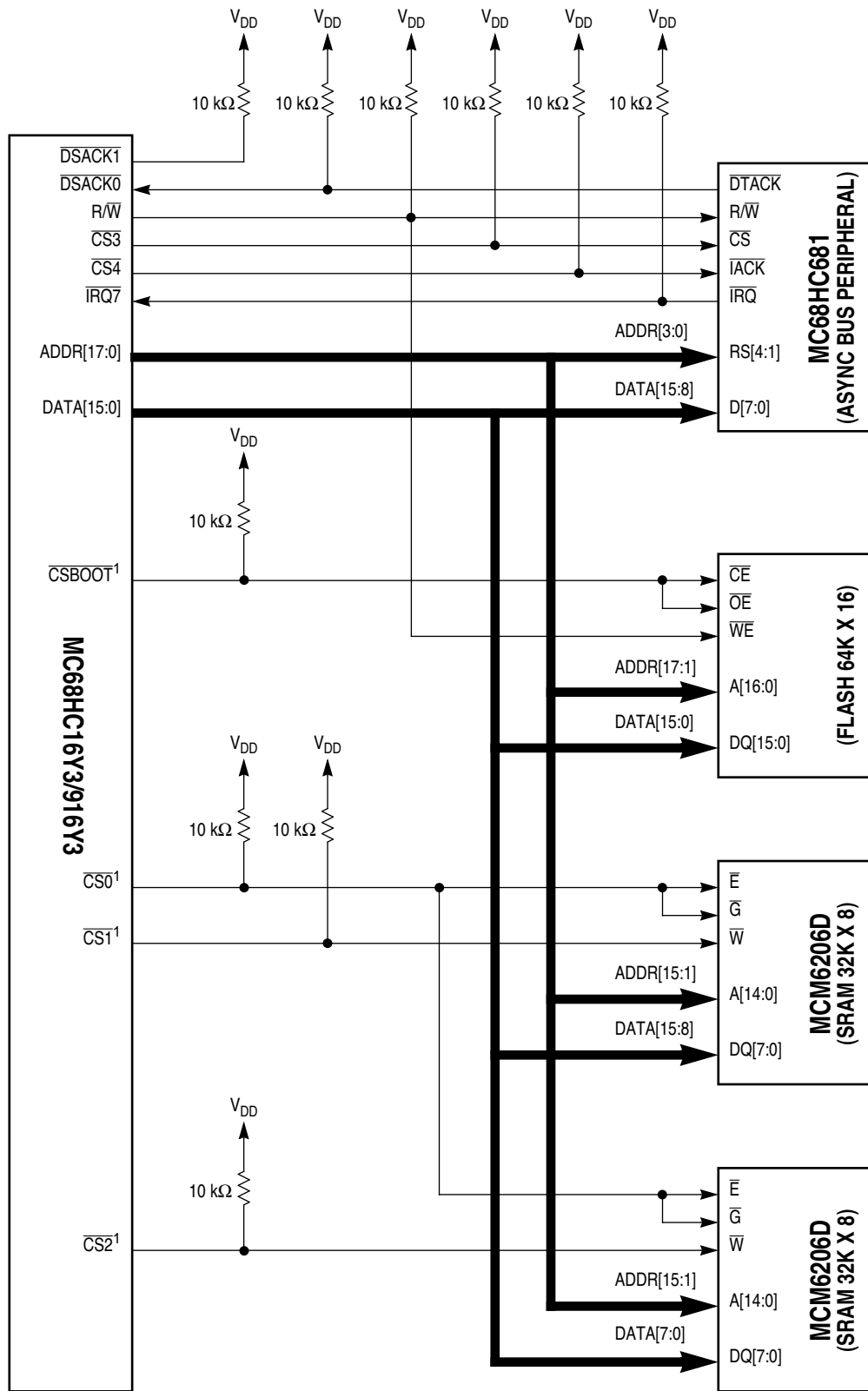
1. The CPU16 finishes higher priority exception processing or reaches an instruction boundary.
2. Processor state is stacked, then the CCR PK extension field is cleared.
3. The interrupt acknowledge cycle begins:
 - a. FC[2:0] are driven to %111 (CPU space) encoding.
 - b. The address bus is driven as follows. ADDR[23:20] = %1111
ADDR[19:16] = %1111, which indicates that the cycle is an interrupt acknowledge CPU space cycle; ADDR[15:4] = %11111111111111;
ADDR[3:1] = the priority of the interrupt request being acknowledged; and ADDR0 = %1.
 - c. Request priority is latched into the CCR IP field from the address bus.
4. Modules or external peripherals that have requested interrupt service decode the priority value in ADDR[3:1]. If request priority is the same as acknowledged priority, arbitration by IARB contention takes place.
5. After arbitration, the interrupt acknowledge cycle is completed in one of the following ways:
 - a. When there is no contention (IARB = %0000), the spurious interrupt monitor asserts $\overline{\text{BERR}}$, and the CPU16 generates the spurious interrupt vector number.
 - b. The dominant interrupt source supplies a vector number and $\overline{\text{DSACK}}$ signals appropriate to the access. The CPU16 acquires the vector number.
 - c. The bus monitor asserts $\overline{\text{BERR}}$ and the CPU16 generates the spurious interrupt vector number.
 - d. The $\overline{\text{AVEC}}$ signal is asserted (the signal is asserted by the dominant interrupt source), and the CPU16 generates an autovector number corresponding to interrupt priority.
6. The vector number is converted to a vector address.
7. The content of the vector address is loaded into the PC and the processor transfers control to the exception handler routine.

5.8.5 Interrupt Acknowledge Bus Cycles

Interrupt acknowledge bus cycles are CPU space cycles that are generated during exception processing. For further information about the types of interrupt acknowledge bus cycles determined by $\overline{\text{DSACK}}$, refer to APPENDIX A ELECTRICAL CHARACTERISTICS and the *SCIM Reference Manual* (SCIMRM/AD).

5.9 Chip-Selects

Typical microcontrollers require additional hardware to provide external chip-select signals. The MCU includes 12 programmable chip-select circuits that can provide from 2 to 16 clock-cycle access to external memory and peripherals. Address block sizes of 2 Kbytes to 512 Kbytes can be selected. However, because ADDR[23:20] follow the state of ADDR19, 512-Kbyte blocks are the largest usable size. **Figure 5-20** is a diagram of a basic system that uses chip-selects.



NOTES:
 1. ALL CHIP-SELECT LINES IN THIS EXAMPLE MUST BE CONFIGURED AS 16-BIT.

HC16 SIM/SCIM BUS

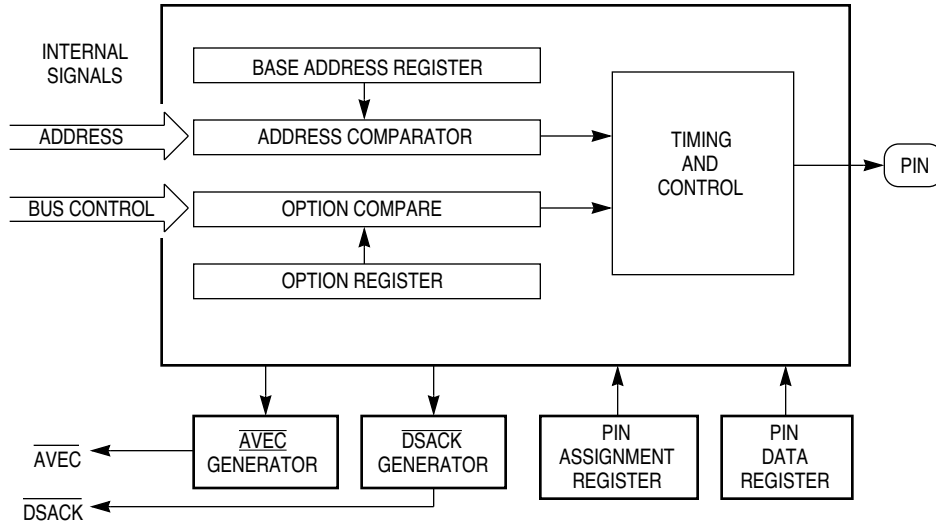
Figure 5-20 Basic MCU System

Freescale Semiconductor, Inc.

Chip-select assertion can be synchronized with bus control signals to provide output enable, read/write strobe, or interrupt acknowledge signals. Logic can also generate \overline{DSACK} and \overline{AVEC} signals internally. A single \overline{DSACK} generator is shared by all chip-selects. Each signal can also be synchronized with the ECLK signal available on ADDR23.

When a memory access occurs, chip-select logic compares address space type, address, type of access, transfer size, and interrupt priority (in the case of interrupt acknowledge) to parameters stored in chip-select registers. If all parameters match, the appropriate chip-select signal is asserted. Select signals are active low. If a chip-select function is given the same address as a microcontroller module or an internal memory array, an access to that address goes to the module or array, and the chip-select signal is not asserted. The external address and data buses do not reflect the internal access.

All chip-select circuits are configured for operation out of reset. However, all chip-select signals except \overline{CSBOOT} are disabled, and cannot be asserted until the BYTE[1:0] field in the corresponding option register is programmed to a non-zero value to select a transfer size. The chip-select option register must not be written until a base address has been written to a proper base address register. Alternate functions for chip-select pins are enabled if appropriate data bus pins are held low at the release of \overline{RESET} . Refer to 5.7.3.2 Data Bus Mode Selection for more information. **Figure 5-21** is a functional diagram of a single chip-select circuit.



CHIP SEL BLOCK

Figure 5-21 Chip-Select Circuit Block Diagram

5.9.1 Chip-Select Registers

Each chip-select pin can have one or more functions. Chip-select pin assignment registers CSPAR[1:0] determine functions of the pins. Pin assignment registers also determine port size (8- or 16-bit) for dynamic bus allocation. A pin data register (PORTC) latches data for chip-select pins that are used for discrete output.

Blocks of addresses are assigned to each chip-select function. Block sizes of 2 Kbytes to 1 Mbyte can be selected by writing values to the appropriate base address register (CSBAR[10:0] and CSBARBT). However, because the logic state of ADDR20 is always the same as the state of ADDR19 in the MCU, the largest usable block size is 512 Kbytes. Multiple chip-selects assigned to the same block of addresses must have the same number of wait states.

Chip-select option registers (CSORBT and CSOR[0:10]) determine timing of and conditions for assertion of chip-select signals. Eight parameters, including operating mode, access size, synchronization, and wait state insertion can be specified.

Initialization software usually resides in a peripheral memory device controlled by the chip-select circuits. A set of special chip-select functions and registers (CSORBT and CSBARBT) is provided to support bootstrap operation.

Comprehensive address maps and register diagrams are provided in **APPENDIX D REGISTER SUMMARY**.

5.9.1.1 Chip-Select Pin Assignment Registers

The pin assignment registers contain twelve 2-bit fields that determine the functions of the chip-select pins. Each pin has two or three possible functions, as shown in **Table 5-22**.

Table 5-22 Chip-Select Pin Functions

| Chip-Select | Alternate Function | Discrete Output |
|-------------|--------------------|-----------------|
| CSBOOT | CSBOOT | — |
| CS0 | BR | — |
| CS1 | BG | — |
| CS2 | BGACK | — |
| CS3 | FC0 | PC0 |
| CS4 | FC1 | PC1 |
| CS5 | FC2 | PC2 |
| CS6 | ADDR19 | PC3 |
| CS7 | ADDR20 | PC4 |
| CS8 | ADDR21 | PC5 |
| CS9 | ADDR22 | PC6 |
| CS10 | ADDR23 | ECLK |

Table 5-23 shows pin assignment field encoding. Pins that have no discrete output function must not use the %00 encoding as this will cause the alternate function to be selected. For instance, %00 for CS0/BR will cause the pin to perform the BR function.

Table 5-23 Pin Assignment Field Encoding

| CSxPA[1:0] | Description |
|------------|---------------------------|
| 00 | Discrete output |
| 01 | Alternate function |
| 10 | Chip-select (8-bit port) |
| 11 | Chip-select (16-bit port) |

Port size determines the way in which bus transfers to an external address are allocated. Port size of eight bits or sixteen bits can be selected when a pin is assigned as a chip-select. Port size and transfer size affect how the chip-select signal is asserted. Refer to 5.9.1.3 Chip-Select Option Registers for more information.

Out of reset, chip-select pin function is determined by the logic level on a corresponding data bus pin. The data bus pins have weak internal pull-up drivers, but can be held low by external devices. Refer to 5.7.3.2 Data Bus Mode Selection for more information. Either 16-bit chip-select function (%11) or alternate function (%01) can be selected during reset. All pins except the boot ROM select pin ($\overline{\text{CSBOOT}}$) are disabled out of reset. There are twelve chip-select functions and only eight associated data bus pins. There is not a one-to-one correspondence. Refer to 5.9.4 Chip-Select Reset Operation for more detailed information.

The $\overline{\text{CSBOOT}}$ signal is enabled out of reset. The state of the DATA0 line during reset determines what port width $\overline{\text{CSBOOT}}$ uses. If DATA0 is held high (either by the weak internal pull-up driver or by an external pull-up device), 16-bit port size is selected. If DATA0 is held low, 8-bit port size is selected.

A pin programmed as a discrete output drives an external signal to the value specified in the Port C register. No discrete output function is available on pins $\overline{\text{CSBOOT}}$, $\overline{\text{BR}}$, $\overline{\text{BG}}$, or $\overline{\text{BGACK}}$. ADDR23 provides the ECLK output rather than a discrete output signal.

When a pin is programmed for discrete output or alternate function, internal chip-select logic still functions and can be used to generate $\overline{\text{DSACK}}$ internally on an address and control signal match.

5.9.1.2 Chip-Select Base Address Registers

Each chip-select has an associated base address register. A base address is the lowest address in the block of addresses enabled by a chip-select. Block size is the extent of the address block above the base address. Block size is determined by the value contained in BLKSZ[2:0]. Multiple chip-selects assigned to the same block of addresses must have the same number of wait states.

BLKSZ[2:0] determines which bits in the base address field are compared to corresponding bits on the address bus during an access. Provided other constraints determined by option register fields are also satisfied, when a match occurs, the associated chip-select signal is asserted. **Table 5-24** shows BLKSZ[2:0] encoding.

Table 5-24 Block Size Encoding

| BLKSZ[2:0] | Block Size | Address Lines Compared ¹ |
|------------|------------|-------------------------------------|
| 000 | 2 Kbytes | ADDR[23:11] |
| 001 | 8 Kbytes | ADDR[23:13] |
| 010 | 16 Kbytes | ADDR[23:14] |
| 011 | 64 Kbytes | ADDR[23:16] |
| 100 | 128 Kbytes | ADDR[23:17] |
| 101 | 256 Kbytes | ADDR[23:18] |
| 110 | 512 Kbytes | ADDR[23:19] |
| 111 | 512 Kbytes | ADDR[23:20] |

NOTES:

1. ADDR[23:20] are the same logic level as ADDR19 during normal operation.

The chip-select address compare logic uses only the most significant bits to match an address within a block. The value of the base address must be an integer multiple of the block size.

Because the logic state of ADDR[23:20] follows that of ADDR19 in the CPU16, maximum block size is 512 Kbytes. Because ADDR[23:20] follow the logic state of ADDR19, addresses from \$080000 to \$F7FFFF are inaccessible.

After reset, the MCU fetches the initialization routine from the address contained in the reset vector, located beginning at address \$000000 of program space. To support bootstrap operation from reset, the base address field in the boot chip-select base address register (CSBARBT) has a reset value of \$000, which corresponds to a base address of \$000000 and a block size of 512 Kbytes. A memory device containing the reset vector and initialization routine can be automatically enabled by $\overline{\text{CSBOOT}}$ after a reset. Refer to 5.9.4 Chip-Select Reset Operation for more information.

5.9.1.3 Chip-Select Option Registers

Option register fields determine timing of and conditions for assertion of chip-select signals. To assert a chip-select signal, and to provide DSACK or autovector support, other constraints set by fields in the option register and in the base address register must also be satisfied. The following paragraphs summarize option register functions. Refer to D.2.27 Chip-Select Option Registers for register and bit field information.

The MODE bit determines whether chip-select assertion simulates an asynchronous bus cycle, or is synchronized to the M6800-type bus clock signal ECLK available on ADDR23. Refer to 5.3 System Clock for more information on ECLK.

BYTE[1:0] controls bus allocation for chip-select transfers. Port size, set when a chip-select is enabled by a pin assignment register, affects signal assertion. When an 8-bit port is assigned, any BYTE field value other than %00 enables the chip-select signal. When a 16-bit port is assigned, however, BYTE field value determines when the chip-select is enabled. The BYTE fields for $\overline{CS}[10:0]$ are cleared during reset. However, both bits in the boot ROM chip-select option register (CSORBT) BYTE field are set (%11) when the \overline{RESET} signal is released.

$R/\overline{W}[1:0]$ causes a chip-select signal to be asserted only for a read, only for a write, or for both read and write. Use this field in conjunction with the STRB bit to generate asynchronous control signals for external devices.

The STRB bit controls the timing of a chip-select assertion in asynchronous mode. Selecting address strobe causes a chip-select signal to be asserted synchronized with the address strobe. Selecting data strobe causes a chip-select signal to be asserted synchronized with the data strobe. This bit has no effect in synchronous mode.

$\overline{DSACK}[3:0]$ specifies the source of \overline{DSACK} in asynchronous mode. It also allows the user to optimize bus speed in a particular application by controlling the number of wait states that are inserted.

NOTE

The external \overline{DSACK} pins are always active.

SPACE[1:0] determines the address space in which a chip-select is asserted. An access must have the space type represented by the SPACE[1:0] encoding in order for a chip-select signal to be asserted.

IPL[2:0] contains an interrupt priority mask that is used when chip-select logic is set to trigger on external interrupt acknowledge cycles. When SPACE[1:0] is set to %00 (CPU space), interrupt priority (ADDR[3:1]) is compared to the IPL field. If the values are the same, and other option register constraints are satisfied, a chip-select signal is asserted. This field only affects the response of chip-selects and does not affect interrupt recognition by the CPU. Encoding %000 in the IPL field causes a chip-select signal to be asserted regardless of interrupt acknowledge cycle priority, provided all other constraints are met.

The \overline{AVEC} bit is used to make a chip-select respond to an interrupt acknowledge cycle. If the \overline{AVEC} bit is set, an autovector will be selected for the particular external interrupt being serviced. If \overline{AVEC} is zero, the interrupt acknowledge cycle will be terminated with \overline{DSACK} , and an external vector number must be supplied by an external device.

5.9.1.4 PORTC Data Register

The PORTC data register latches data for PORTC pins programmed as discrete outputs. When a pin is assigned as a discrete output, the value in this register appears at the output. PC[6:0] correspond to $\overline{CS}[9:3]$. Bit 7 is not used. Writing to this bit has no effect, and it always reads zero.

5.9.2 Chip-Select Operation

When the MCU makes an access, enabled chip-select circuits compare the following items:

- Function codes to SPACE fields, and to the IP mask if the SPACE field encoding is not for CPU space.
- Appropriate address bus bits to base address fields.
- Read/write status to R/ \bar{W} fields.
- ADDR0 and/or SIZ[1:0] bits to BYTE field (16-bit ports only).
- Priority of the interrupt being acknowledged (ADDR[3:1]) to IPL fields (when the access is an interrupt acknowledge cycle).

When a match occurs, the chip-select signal is asserted. Assertion occurs at the same time as \bar{AS} or \bar{DS} assertion in asynchronous mode. Assertion is synchronized with ECLK in synchronous mode. In asynchronous mode, the value of the \overline{DSACK} field determines whether \overline{DSACK} is generated internally. \overline{DSACK} [3:0] also determines the number of wait states inserted before internal \overline{DSACK} assertion.

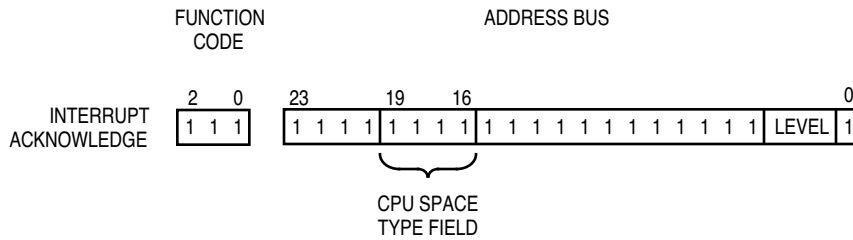
The speed of an external device determines whether internal wait states are needed. Normally, wait states are inserted into the bus cycle during S3 until a peripheral asserts \overline{DSACK} . If a peripheral does not generate \overline{DSACK} , internal \overline{DSACK} generation must be selected and a predetermined number of wait states can be programmed into the chip-select option register. Refer to the *SCIM Reference Manual* (SCIMRM/AD) for further information.

5.9.3 Using Chip-Select Signals for Interrupt Acknowledge

Ordinary bus cycles use supervisor or user space access, but interrupt acknowledge bus cycles use CPU space access. Refer to 5.6.4 CPU Space Cycles and 5.8 Interrupts for more information. There are no differences in flow for chip selects in each type of space, but base and option registers must be properly programmed for each type of external bus cycle.

During a CPU space cycle, bits [15:3] of the appropriate base register must be configured to match ADDR[23:11], as the address is compared to an address generated by the CPU. ADDR[23:20] follow the state of ADDR19 in this MCU. The states of base register bits [15:12] must match that of bit 11.

Figure 5-22 shows CPU space encoding for an interrupt acknowledge cycle. FC[2:0] are set to %111, designating CPU space access. ADDR[3:1] indicate interrupt priority, and the space type field (ADDR[19:16]) is set to %1111, the interrupt acknowledge code. The rest of the address lines are set to one.



CPU SPACE IACK TIM

Figure 5-22 CPU Space Encoding for Interrupt Acknowledge

Because address match logic functions only after the EBI transfers an interrupt acknowledge cycle to the external address bus following IARB contention, chip-select logic generates \overline{DSACK} signals only in response to interrupt requests from external \overline{IRQ} pins. If an internal module makes an interrupt request of a certain priority, and the chip-select base address and option registers are programmed to generate \overline{DSACK} signals in response to an interrupt acknowledge cycle for that priority level, chip-select logic does not respond to the interrupt acknowledge cycle, and the internal module supplies a vector number and generates an internal \overline{DSACK} signal to terminate the cycle.

Perform the following operations before using a chip select to generate an interrupt acknowledge signal.

1. Program the base address field to all ones.
2. Program block size to no more than 64 Kbytes, so that the address comparator checks ADDR[19:16] against the corresponding bits in the base address register. (The CPU16 places the CPU space bus cycle type on ADDR[19:16].)
3. Set the R/ \overline{W} field to read only. An interrupt acknowledge cycle is performed as a read cycle.
4. Set the BYTE field to lower byte when using a 16-bit port, as the external vector for a 16-bit port is fetched from the lower byte. Set the BYTE field to upper byte when using an 8-bit port.

If an interrupting device does not provide a vector number, an autovector acknowledge must be produced by generating \overline{AVEC} internally using the chip-select option register. This terminates the bus cycle.

NOTE

On a fully bonded SCIM2 implementation, the user can assert the $\overline{AVEC}/PE2$ pin. The $\overline{AVEC}/PE2$ pin is not available on the MC68HC16Y3/916Y3.

5.9.4 Chip-Select Reset Operation

The least significant bit of each of the 2-bit chip-select pin assignment fields in CSPAR0 and CSPAR1 each have a reset value of one. The reset values of the most significant bits of each field are determined by the states of DATA[7:1] during reset. There are weak internal pull-up drivers for each of the data lines so that chip-select operation is selected by default out of reset. However, the internal pull-up drivers can be overcome by bus loading effects.

To ensure a particular configuration out of reset, use an active device to put the data lines in a known state during reset. The base address fields in chip-select base address registers CSBAR[0:10] and chip-select option registers CSOR[0:10] have the reset values shown in **Table 5-25**. The BYTE fields of CSOR[0:10] have a reset value of “disable”, so that a chip-select signal cannot be asserted until the base and option registers are initialized.

Table 5-25 Chip-Select Base and Option Register Reset Values

| Fields | Reset Values |
|-------------------------------|---------------------------|
| Base address | \$000000 |
| Block size | 2 Kbyte |
| Async/sync Mode | Asynchronous mode |
| Upper/lower byte | Disabled |
| Read/write | Disabled |
| $\overline{AS}/\overline{DS}$ | \overline{AS} |
| \overline{DSACK} | No wait states |
| Address space | CPU space |
| IPL | Any level |
| Autovector | External interrupt vector |

Following reset, the MCU fetches the initial stack pointer and program counter values from the exception vector table, beginning at \$000000 in supervisor program space. The \overline{CSBOOT} chip-select signal is used to select an external boot device mapped to a base address of \$000000.

The MSB of the CSBTPA field in CSPAR0 has a reset value of one, so that chip-select function is selected by default out of reset. The BYTE field in chip-select option register CSORBT has a reset value of “both bytes” so that the select signal is enabled out of reset. The LSB of the \overline{CSBOOT} field, determined by the logic level of DATA0 during reset, selects the boot ROM port size. When DATA0 is held low during reset, port size is eight bits. When DATA0 is held high during reset, port size is 16 bits. DATA0 has a weak internal pull-up driver, so that a 16-bit port is selected by default out of reset. However, the internal pull-up driver can be overcome by bus loading effects. To ensure a particular configuration out of reset, use an active device to put DATA0 in a known state during reset.

The base address field in the boot chip-select base address register CSBARBT has a reset value of all zeros, so that when the initial access to address \$000000 is made, an address match occurs, and the $\overline{\text{CSBOOT}}$ signal is asserted. The block size field in CSBARBT has a reset value of 512 Kbytes. **Table 5-26** shows $\overline{\text{CSBOOT}}$ reset values.

Table 5-26 $\overline{\text{CSBOOT}}$ Base and Option Register Reset Values

| Fields | Reset Values |
|---|-----------------------------|
| Base address | \$000000 |
| Block size | 512 Kbyte |
| Async/sync mode | Asynchronous mode |
| Upper/lower byte | Both bytes |
| Read/write | Read/write |
| $\overline{\text{AS}}/\overline{\text{DS}}$ | $\overline{\text{AS}}$ |
| $\overline{\text{DSACK}}$ | 13 Wait states |
| Address space | Supervisor space |
| IPL ¹ | Any level |
| Autovector | Interrupt vector externally |

NOTES:

1. These fields are not used unless "Address space" is set to CPU space.

5.10 General Purpose Input/Output

The SCIM2 contains six general-purpose input/output ports: ports A, B, E, F, G, and H. (Port C, an output-only port, is included under the discussion of chip-selects). Ports A, B, and G are available in single-chip mode only and port H is available in single-chip or 8-bit expanded modes only. Ports E, F, G, and H have an associated data direction register to configure each pin as input or output. Ports A and B share a data direction register that configures each port as input or output. Ports E and F have associated pin assignment registers that configure each pin as digital I/O or an alternate function. Port F has an edge-detect flag register that indicates whether a transition has occurred on any of its pins.

Table 5-27 shows the shared functions of the general-purpose I/O ports and the modes in which they are available.

Table 5-27 General-Purpose I/O Ports

| Port | Shared Function | Modes |
|------|---|-----------------------------|
| A | ADDR[18:11] | Single-chip |
| B | ADDR[10:3] | Single-chip |
| E | Bus Control | All |
| F | $\overline{\text{IRQ}}[7:1]/\text{FASTREF}$ | All |
| G | DATA[15:8] | Single-chip |
| H | DATA[7:0] | Single-chip, 8-Bit expanded |

Access to the port A, B, E, F, G, and H data and data direction registers, and the port C, E, and F pin assignment registers require three clock cycles to ensure timing compatibility with external port replacement logic. Port registers are byte-addressable and are grouped to allow coherent word access to port data register pairs A-B and G-H, as well as word-aligned long word coherency of A-B-G-H port data registers.

If emulation mode is enabled, the emulation mode chip-select signal \overline{CSE} is asserted whenever an access to ports A, B, E, G, and H data and data direction registers or the port E pin assignment register is made. The SCIM2 does not respond to these accesses, but allows external logic, such as a Motorola port replacement unit (PRU) MC68HC33 to respond. Port C data and data direction register, port F data and data direction register, and the port F pin assignment register remain accessible.

A write to the port A, B, E, F, G, or H data register is stored in the internal data latch. If any port pin is configured as an output, the value stored for that bit is driven on the pin. A read of the port data register returns the value at the pin only if the pin is configured as a discrete input. Otherwise, the value read is the value stored in the register.

5.10.1 Ports A and B

Ports A and B are available in single-chip mode only. One data direction register controls data direction for both ports. Port A and B registers can be read or written at any time the MCU is not in emulator mode.

Port A/B data direction bits (DDA and DDB) control the direction of the pin drivers for ports A and B, respectively, when the pins are configured for I/O. Setting DDA or DDB to one configures all pins in the corresponding port as outputs. Clearing DDA or DDB to zero configures all pins in the corresponding port as inputs.

5.10.2 Port E

Port E can be made available in all operating modes. The state of \overline{BERR} and DATA8 during reset controls whether the port E pins are used as bus control signals or discrete I/O lines.

If the MCU is in emulator mode, an access of the port E data, data direction, or pin assignment registers (PORTE, DDRE, PEPAR) is forced to go external. This allows port replacement logic to be supplied externally, giving an emulator access to the bus control signals.

The port E data register (PORTE) is a single register that can be accessed in two locations. It can be read or written at any time the MCU is not in emulator mode.

Port E data direction register (DDRE) bits control the direction of the pin drivers when the pins are configured as I/O. Any bit in this register set to one configures the corresponding pin as an output. Any bit in this register cleared to zero configures the corresponding pin as an input. This register can be read or written at any time the MCU is not in emulator mode.

Port E pin assignment register (PEPAR) bits control the function of each port E pin. Any bit set to one defines the corresponding pin to be a bus control signal, with the function shown in **Table 5-28**. Any bit cleared to zero defines the corresponding pin to be an I/O pin, controlled by PORTE and DDRE.

Table 5-28 Port E Pin Assignments

| PEPAR Bit | Port E Signal | Bus Control Signal |
|-----------|---------------|---------------------|
| PEPA7 | PE7 | SIZ1 |
| PEPA6 | PE6 | SIZ0 |
| PEPA5 | PE5 | AS |
| PEPA4 | PE4 | \overline{DS} |
| PEPA1 | PE1 | $\overline{DSACK1}$ |
| PEPA0 | PE0 | $\overline{DSACK0}$ |

\overline{BERR} and DATA8 control the state of this register following reset. If \overline{BERR} and/or DATA8 are low during reset, this register is set to \$00, defining all port E pins as I/O pins. If \overline{BERR} and DATA8 are both high during reset, the register is set to \$FF, which defines all port E pins as bus control signals.

5.10.3 Port F

Port F consists of eight I/O pins, a data register, a data direction register, a pin assignment register, an edge-detect flag register, an edge-detect interrupt vector register, an edge-detect interrupt level register, and associated control logic. **Figure 5-23** is a block diagram of port F pins, registers, and control logic.

Port F pins can be configured as interrupt request inputs, edge-detect input/outputs, or discrete input/outputs. When port F pins are configured for edge detection, and a priority level is specified by writing a value to the port F edge-detect interrupt level register (PFLVR), port F control logic generates an interrupt request when the specified edge is detected. Interrupt vector assignment is made by writing a value to the port F edge-detect interrupt vector register (PFIVR). The edge-detect interrupt has the lowest arbitration priority in the SCIM2.

A write to the port F data register (PORTF) is stored in the internal data latch, and if any port F pin is configured as an output, the value stored for that bit is driven on the pin. A read of PORTF returns the value on a pin only if the pin is configured as a discrete input. Otherwise, the value read is the value stored in the data register. PORTF is a single register that can be accessed in two locations (PORTF1, PORTF0). It can be read or written at any time, including when the MCU is in emulator mode.

Port F data direction register (DDRF) bits control the direction of port F pin drivers when the pins are configured for I/O. Setting any bit in this register configures the corresponding pin as an output. Clearing any bit in this register configures the corresponding pin as an input.

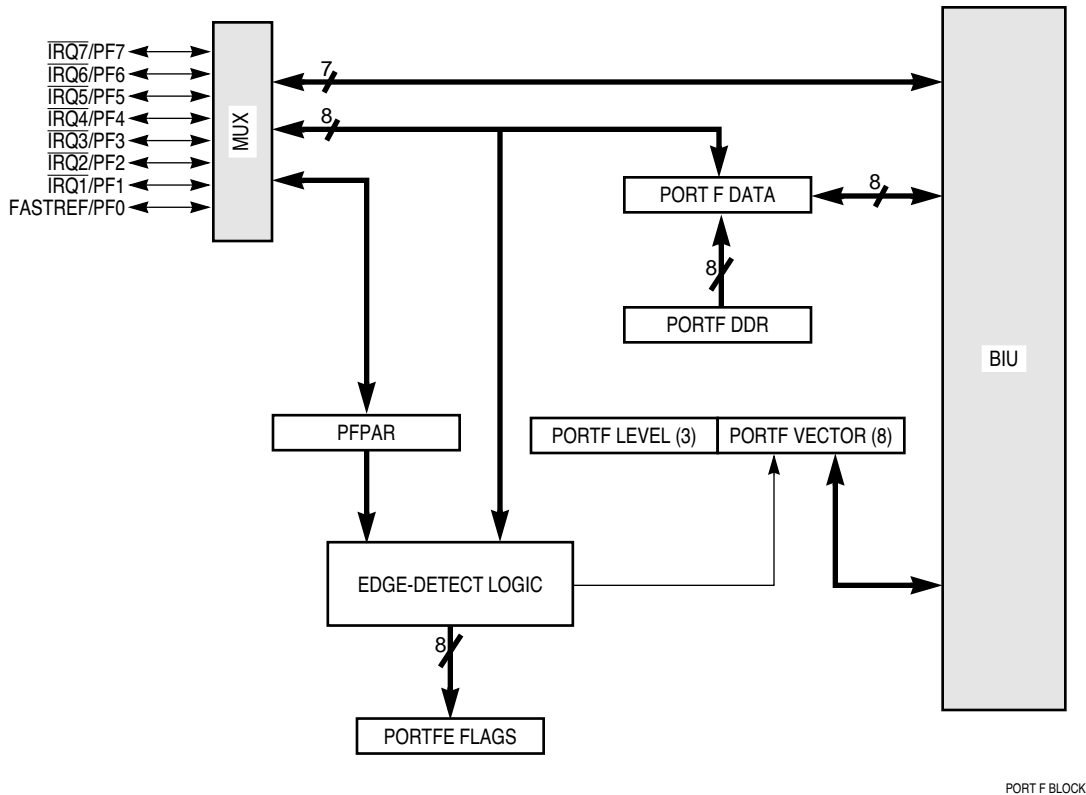


Figure 5-23 Port F Block Diagram

Port F pin assignment register (PFPAR) fields determine the functions of pairs of port F pins. **Table 5-29** shows port F pin assignments. **Table 5-30** shows PFPAR pin functions.

In single-chip mode ($\overline{\text{BERR}} = 0$ during reset), this register is set to \$00, defining all port F pins to be I/O pins. In 8- and 16-bit expanded modes, the state of DATA9 during reset determines the default value for PFPAR.

Table 5-29 Port F Pin Assignments

| PFPAR Field | Port F Signal | Alternate Signal |
|-------------|---------------|------------------------------------|
| PFFPA3 | PF[7:6] | $\overline{\text{IRQ}}[7:1]$ |
| PFFPA2 | PF[5:4] | $\overline{\text{IRQ}}[5:4]$ |
| PFFPA1 | PF[3:2] | $\overline{\text{IRQ}}[3:2]$ |
| PFFPA0 | PF[1:0] | $\overline{\text{IRQ}}1$, FASTREF |

Table 5-30 PFPAR Pin Functions

| PFPAR Bits | Port F Signal |
|------------|-----------------------------|
| 00 | I/O pin without edge detect |
| 01 | Rising edge detect |
| 10 | Falling edge detect |
| 11 | Interrupt request |

When the corresponding pin is configured for edge detection, a port F edge-detect flag register (PORTFE) bit is set if an edge is detected. PORTFE bits remain set, regardless of the subsequent state of the corresponding pin, until cleared. To clear a bit, first read PORTFE, then write the bit to zero. When a pin is configured for general-purpose I/O or for use as an interrupt request input, PORTFE bits do not change state.

The port F edge-detect interrupt vector register (PFIVR) determines which vector in the exception vector table is used for interrupts generated by the port F edge-detect logic. Program PFIVR[7:0] to the value pointing to the appropriate interrupt vector. Refer to SECTION 4 CENTRAL PROCESSOR UNIT for interrupt vector assignments.

The port F edge-detect interrupt level register (PFLVR) determines the priority level of the port F edge-detect interrupt. The reset value is \$00, indicating that the interrupt is disabled. When several sources of interrupts from the SCIM2 are arbitrating for the same level, the port F edge-detect interrupt has the lowest arbitration priority.

5.10.4 Port G

Port G is available in single-chip mode only. These pins are always configured for use as general-purpose I/O in single-chip mode.

The port G data register (PORTG) can be read or written any time the MCU is not in emulation mode. Reset has no effect.

Port G data direction register (DDRG) bits control the direction of the port pin drivers when pins are configured as I/O. Setting a bit configures the corresponding pin as an output. Clearing a bit configures the corresponding pin as an input.

5.10.5 Port H

Port H is available in single-chip and 8-bit expanded modes only. The function of these pins is determined by the operating mode. There is no pin assignment register associated with this port.

The port H data register (PORTH) can be read or written any time the MCU is not in emulation mode. Reset has no effect.

Port H data direction register (DDRH) bits control the direction of the port pin drivers when pins are configured as I/O. Setting a bit configures the corresponding pin as an output. Clearing a bit configures the corresponding pin as an input.

5.11 Factory Test

The test submodule supports scan-based testing of the various MCU modules. It is integrated into the SCIM2 to support production test. Test submodule registers are intended for Motorola use only. Register names and addresses are provided in APPENDIX D REGISTER SUMMARY to show the user that these addresses are occupied. The QUOT pin is also used for factory test.

SECTION 6 STANDBY RAM MODULE

The standby RAM (SRAM) module consists of a fixed-location control register block and an array of fast (two clock) static RAM that may be mapped to a user specified location in the system memory map. The MC68HC16Y3 uses a 4-Kbyte array; the MC68HC916Y3 uses a 2-Kbyte array. The SRAM is especially useful for system stacks and variable storage. The SRAM can be mapped to any address that is a multiple of the array size so long as SRAM boundaries do not overlap the module control registers (overlap makes the registers inaccessible). Data can be read/written in bytes, words or long words. SRAM is powered by V_{DD} in normal operation. During power-down, SRAM contents can be maintained by power from the V_{STBY} input. Power switching between sources is automatic.

6.1 SRAM Register Block

There are four SRAM control registers: the RAM module configuration register (RAMMCR), the RAM test register (RAMTST), and the RAM array base address registers (RAMBAH/RAMBAL).

The module mapping bit (MM) in the SCIM configuration register (SCIMCR) defines the most significant bit (ADDR23) of the IMB address for each MC68HC16Y3/916Y3 module. Because ADDR[23:20] are driven to the same value as ADDR19, MM must be set to one. If MM is cleared, IMB modules are inaccessible. For more information about how the state of MM affects the system, refer to 5.2.1 Module Mapping.

The SRAM control register consists of eight bytes, but not all locations are implemented. Unimplemented register addresses are read as zeros, and writes have no effect. Refer to D.3 Standby RAM Module for register block address map and register bit/field definitions.

6.2 SRAM Array Address Mapping

Base address registers RAMBAH and RAMBAL are used to specify the SRAM array base address in the memory map. RAMBAH and RAMBAL can only be written while the SRAM is in low-power stop mode (RAMMCR STOP = 1) and the base address lock (RAMMCR RLCK = 0) is disabled. RLCK can be written once only to a value of one; subsequent writes are ignored. This prevents accidental remapping of the array.

NOTE

In the CPU16, ADDR[23:20] follow the logic state of ADDR19. The SRAM array must not be mapped to addresses \$080000–\$7FFFFFFF, which are inaccessible to the CPU16. If mapped to these addresses, the array remains inaccessible until a reset occurs, or it is remapped outside of this range.

6.3 SRAM Array Address Space Type

The RASP[1:0] in RAMMCR determine the SRAM array address space type. The SRAM module can respond to both program and data space accesses or to program space accesses only. Because the CPU16 operates in supervisor mode only, RASP1 has no effect. **Table 6-1** shows RASP[1:0] encodings.

Table 6-1 SRAM Array Address Space Type

| RASP[1:0] | Space |
|-----------|---------------------------|
| X0 | Program and data accesses |
| X1 | Program access only |

Refer to 5.5.1.7 Function Codes for more information concerning address space types and program/data space access. Refer to 4.6 Addressing Modes for more information on addressing modes.

6.4 Normal Access

The array can be accessed by byte, word, or long word. A byte or aligned word access takes one bus cycle or two system clocks. A long word or misaligned word access requires two bus cycles. Refer to 5.6 Bus Operation for more information concerning access times.

6.5 Standby and Low-Power Stop Operation

Standby and low-power modes should not be confused. Standby mode maintains the RAM array when the main MCU power supply is turned off. Low-power stop mode allows the CPU16 to control MCU power consumption by disabling unused modules.

Relative voltage levels of the MCU V_{DD} and V_{STBY} pins determine whether the SRAM is in standby mode. SRAM circuitry switches to the standby power source when V_{DD} drops below specified limits. If specified standby supply voltage levels are maintained during the transition, there is no loss of memory when switching occurs. The RAM array cannot be accessed while the SRAM module is powered from V_{STBY} . If standby operation is not desired, connect the V_{STBY} pin to V_{SS} .

I_{SB} (SRAM standby current) values may vary while V_{DD} transitions occur. Refer to APPENDIX A ELECTRICAL CHARACTERISTICS for standby switching and power consumption specifications.

6.6 Reset

Reset places the SRAM in low-power stop mode, enables program space access, and clears the base address registers and the register lock bit. These actions make it possible to write a new base address into the ROMBAH and ROMBAL registers.

Freescale Semiconductor, Inc.

When a synchronous reset occurs while a byte or word SRAM access is in progress, the access is completed. If reset occurs during the first word access of a long-word operation, only the first word access is completed. If reset occurs during the second word access of a long-word operation, the entire access is completed. Data being read from or written to the RAM may be corrupted by an asynchronous reset. For more information, refer to 5.7 Reset for more information.

SECTION 7 MASKED ROM MODULE

The masked ROM module (MRM) is used only in the MC68HC16Y3. It consists of two fixed-location control register blocks and a 64-Kbyte and a 32-Kbyte array, for a total of 96 K-bytes of mask-programmed read-only memory that can be mapped to any 96-Kbyte boundary in the system memory map. The MRM can be programmed to insert wait states to accommodate migration from slow external development memory. Access time depends upon the number of wait states specified, but can be as fast as two clock cycles. The MRM can be used for program accesses only, or for program and data accesses. Data can be read in bytes, words or long words. The MRM can be configured to support system bootstrap during reset.

7.1 MRM Register Block

There are three MRM control registers: the masked ROM module configuration register (MRMCR), and the ROM array base address registers (ROMBAH and ROMBAL). In addition, the MRM register block contains signature registers (SIGHI and SIGLO), and ROM bootstrap words (ROMBS[0:3]).

The module mapping bit (MM) in the SCIMCR defines the most significant bit (ADDR23) of the IMB address for each MC68HC16R1/916R1 module. Because the CPU16 drives only ADDR[19:0] and ADDR[23:20] follow the logic state of ADDR19, MM must equal one. 5.2.1 Module Mapping contains information about how the state of MM affects the system.

Both MRM control register blocks consist of 32 bytes, but not all locations are implemented. Unimplemented register addresses are read as zeros, and writes have no effect. Refer to D.4 Masked ROM Module for register block address map and register bit/field definitions.

7.2 MRM Array Address Mapping

Base address registers ROMBAH and ROMBAL are used to specify the ROM array base address in the memory map. Although the base address contained in ROMBAH and ROMBAL is mask-programmed, these registers can be written after reset to change the default array address if the base address lock bit (LOCK in MRMCR) is not masked to a value of one.

The MRM array can be mapped to any 96-Kbyte boundary in the memory map, but must not overlap other module control registers (overlap makes the registers inaccessible). If the array overlaps the MRM register block, addresses in the block are accessed instead of the corresponding array addresses.

ROMBAH and ROMBAL can only be written while the ROM is in low-power stop mode (MRMCR STOP = 1) and the base address lock (MRMCR LOCK = 0) is disabled.

LOCK can be written once only to a value of one. This prevents accidental remapping of the array.

7.3 MRM Array Address Space Type

ASPC[1:0] in MRMCR determines ROM array address space type. The module can respond to both program and data space accesses or to program space accesses only. This allows code to be executed from ROM, and permits use of program counter relative addressing mode for operand fetches from the array.

In addition, ASPC[1:0] specify whether access to the MRM can be made in supervisor mode only, or in either user or supervisor mode. Because the CPU16 operates in supervisor mode only, ASPC1 has no effect.

The default value of ASPC[1:0] is established during mask programming, but field value can be changed after reset if the LOCK bit in the MRMCR has not been masked to a value of one.

Table 7-1 shows ASPC[1:0] field encodings.

Table 7-1 ROM Array Space Field

| ASPC[1:0] | State Specified |
|-----------|---------------------------|
| X0 | Program and data accesses |
| X1 | Program access only |

Refer to 4.6 Addressing Modes for more information on addressing modes. Refer to 5.5.1.7 Function Codes for more information concerning address space types and program/data space access.

7.4 Normal Access

The array can be accessed by byte, word, or long word. A byte or aligned word access takes one bus cycle or two system clocks. A long word or misaligned word access requires two bus cycles. Refer to 5.6 Bus Operation for more information concerning access times.

Access time can be optimized for a particular application by inserting wait states into each access. The number of wait states inserted is determined by the value of WAIT[1:0] in the MRMCR. Two, three, four, or five bus-cycle accesses can be specified. The default value WAIT[1:0] is established during mask programming, but field value can be changed after reset if the LOCK bit in the MRMCR has not been masked to a value of one.

Table 7-2 shows WAIT[1:0] field encodings.

Table 7-2 Wait States Field

| WAIT[1:0] | Number of Wait States | Clocks per Transfer |
|-----------|-----------------------|---------------------|
| 00 | 0 | 3 |
| 01 | 1 | 4 |
| 10 | 2 | 5 |
| 11 | -1 | 2 |

Refer to 5.6 Bus Operation for more information concerning access times.

7.5 Low-Power Stop Mode Operation

Low-power stop mode minimizes MCU power consumption. Setting the STOP bit in MRMCR places the MRM in low-power stop mode. In low-power stop mode, the array cannot be accessed. The reset state of STOP is the complement of the logic state of DATA14 during reset. Low-power stop mode is exited by clearing STOP.

7.6 ROM Signature

Signature registers RSIGHI and RSIGLO contain a user-specified mask-programmed signature pattern. A special signature algorithm allows the user to verify ROM array content.

7.7 Reset

The state of the MRM following reset is determined by the default values programmed into the MRMCR $\overline{\text{BOOT}}$, LOCK, ASPC[1:0], and WAIT[1:0] bits. The default array base address is determined by the values programmed into ROMBAL and ROMBAH.

When the mask programmed value of the MRMCR $\overline{\text{BOOT}}$ bit is zero, the contents of MRM bootstrap words ROMBS[0:3] are used as reset vectors. When the mask programmed value of the MRMCR $\overline{\text{BOOT}}$ bit is one, reset vectors are fetched from external memory, and system integration module chip-select logic is used to assert the boot ROM select signal $\overline{\text{CSBOOT}}$. Refer to 5.9.4 Chip-Select Reset Operation for more information concerning external boot ROM selection.

SECTION 8 FLASH EEPROM MODULE

The flash EEPROM modules serve as nonvolatile, fast-access, electrically erasable and programmable ROM-emulation memory. These modules are used only in the MC68HC916Y3.

The MC68HC916Y3 contains a 96-Kbyte module. The 96-Kbytes is divided into 16-Kbyte, 32-Kbyte, and 48-Kbyte arrays. The modules can contain program code (for example, operating system kernels and standard subroutines) which must execute at high speed or is frequently executed, or static data which is read frequently. The flash EEPROM supports both byte and word reads. It is capable of responding to back-to-back IMB accesses to provide two bus cycle (four system clock) access for aligned long words. It can also be programmed to insert up to three wait states to accommodate migration from slower external development memory to onboard flash EEPROM without the need for retiming the system.

The 16-Kbyte flash EEPROM array can begin on any 16-Kbyte boundary, the 48-Kbyte array can begin on any 48-Kbyte boundary, and the 32-Kbyte array can begin on any 32-Kbyte boundary. The three arrays can be configured to appear as a single contiguous memory block, with the 16-Kbyte array immediately preceding or immediately following the 48- and 32-Kbyte arrays.

Pulling data bus pin DATA14 low during reset disables both the 16-, 48- and 32-Kbyte flash EEPROM modules and places them in stop mode.

All of the flash EEPROM modules can be configured to generate bootstrap information on system reset. Bootstrap information consists of the initial program counter and stack pointer values for the CPU16.

The flash EEPROM and its control bits are erasable and programmable under software control. Program/erase voltage must be supplied via external V_{FPE} pins. Data is programmed in byte or word aligned fashion. Multiple word programming is not supported. The flash EEPROM modules support bulk erase only, and have a minimum program-erase life of 100 cycles.

The flash EEPROM modules have hardware interlocks which protect stored data from corruption by accidental enabling of the program/erase voltage to the flash EEPROM arrays. With the hardware interlocks, inadvertent programming or erasure is highly unlikely.

8.1 Flash EEPROM Control Block

Each flash EEPROM module has a 32-byte control block with five registers to control flash EEPROM operation: the flash EEPROM module configuration register (FEE1MCR, FEE2MCR, FEE3MCR), the flash EEPROM test register (FEE1TST, FEE2TST, FEE3TST), the flash EEPROM array base address registers (FEE1BAH, FEE2BAH, FEE3BAH and FEE1BAL, FEE2BAL, FEE3BAL), and the flash EEPROM control register (FEE1CTL, FEE2CTL, FEE3CTL).

Freescale Semiconductor, Inc.

Four additional flash EEPROM words in the control block can contain bootstrap information for use during reset. Control registers are located in supervisor data space. Refer to D.5 Flash EEPROM Module for register and bit field information.

The control register blocks for the 16-, 48-, and 32-Kbyte flash EEPROM modules start at locations \$YFF800, \$YFF820, and \$YFF840 respectively. The following register descriptions apply to the corresponding register in all control blocks. References to FEExMCR, for example, apply to FEE1MCR (in the 16-Kbyte module), FEE2MCR (in the 48-Kbyte module), and FEE3MCR (in the 32-Kbyte module).

A number of control register bits have associated bits in “shadow” registers. The values of the shadow bits determine the reset states of the control register bits. Shadow registers are programmed or erased in the same manner as a location in the array, using the address of the corresponding control registers. When a shadow register is programmed, the data is not written to the corresponding control register. The new data is not copied into the control register until the next reset. The contents of shadow registers are erased when the array is erased.

Configuration information is specified and programmed independently of the array. After reset, registers in the control block that contain writable bits can be modified. Writes to these registers do not affect the associated shadow register. Certain registers can be written only when LOCK = 0 or STOP = 1 in FEExMCR.

8.2 Flash EEPROM Array

The base address registers specify the starting address of the flash EEPROM array. The user programs the reset base address. The base address of the 16-Kbyte array must be on a 16-Kbyte boundary; the base address of the 48-Kbyte array must be on a 48-Kbyte boundary; the base address of the 32-Kbyte array must be on a 32-Kbyte boundary. Behavior will be indeterminate if one flash EEPROM array overlaps the other.

The base address must also be set so that an array does not overlap a flash EEPROM control block in the data space memory map. If an array does overlap a control block, accesses to the 32 bytes in the array that is overlapped are ignored, allowing the flash EEPROM control blocks to remain accessible. If the array overlaps the control block of another module, the results will be indeterminate.

8.3 Flash EEPROM Operation

The following paragraphs describe the operation of the flash EEPROM module during reset, system boot, normal operation, and while it is being programmed or erased.

8.3.1 Reset Operation

Reset initializes all registers to certain default values. Some of these reset values are programmable by the user and are contained in flash EEPROM shadow registers.

If the state of the STOP shadow bit is zero, and bus pin DATA14 is pulled high during reset, the STOP bit in the FEEExMCR is cleared during reset. The array responds normally to the bootstrap address range and the flash EEPROM array base address.

If the STOP shadow bit is one, or the module's associated data bus pin is pulled low during reset, the STOP bit in the FEEExMCR is set. The flash EEPROM array is disabled until the STOP bit is cleared by software. It will not respond to the bootstrap address range, or the flash EEPROM array base address in FEEExBAH and FEEExBAL, allowing an external device to respond to the flash EEPROM array's address space or bootstrap information. Since the erased state of the shadow bits is one, erased flash EEPROM modules (which include the shadow registers in the control blocks) come out of reset in STOP mode.

8.3.2 Bootstrap Operation

After reset, the CPU begins bootstrap operation by fetching initial values for its internal registers from special bootstrap word addresses \$000000 through \$000006. If BOOT = 0 and STOP = 0 in FEEExMCR, the flash EEPROM module is configured to recognize these addresses after a reset and provide this information from the FEEExBS[3:0] bootstrap registers in the flash EEPROM control block. The information in these registers is programmed by the user.

8.3.3 Normal Operation

The flash EEPROM module allows a byte or aligned-word read in one bus cycle. Long-word reads require two bus cycles.

The module checks function codes to verify access privileges. All control block addresses must be in supervisor data space. Array accesses are defined by the state of ASPC[1:0] in FEEExMCR. Access time is governed by the WAIT[1:0] field in FEEExMCR.

Accesses to any address in the address block defined by FEEExBAH and FEEExBAL which does not fall within the array are ignored, allowing external devices to adjoin flash EEPROM arrays which do not entirely fill the entire address space specified by FEEExBAH and FEEExBAL.

8.3.4 Program/Erase Operation

An erased flash bit has a logic state of one. A bit must be programmed to change its state from one to zero. Erasing a bit returns it to a logic state of one. Programming and erasing the flash module requires a series of control register writes and a write to an array address. The same procedure is used to program control registers that contain flash shadow bits. Programming is restricted to a single byte or aligned word at a time. The entire array and the shadow register bits are erased at the same time.

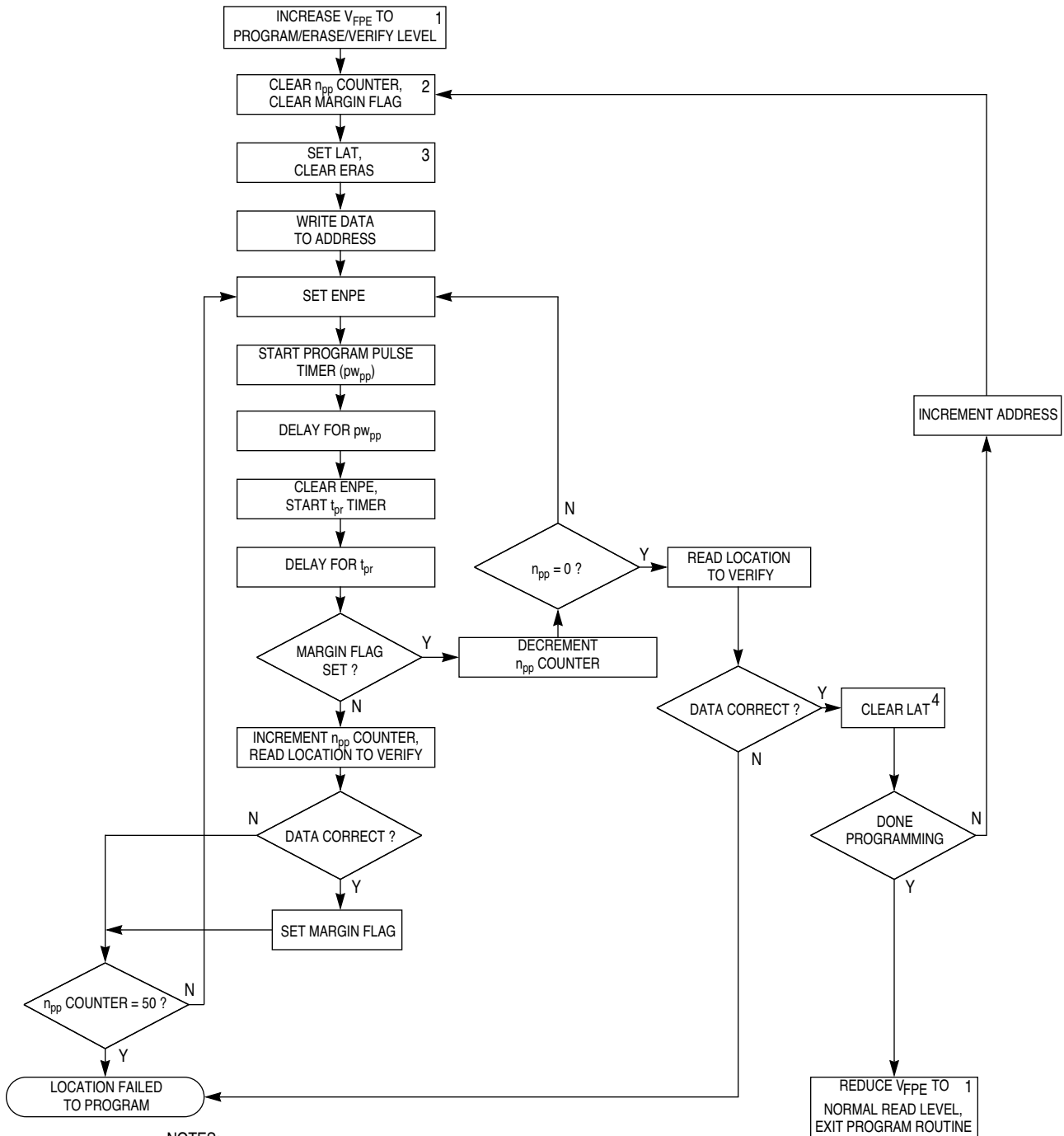
When multiple flash modules share a single V_{FPE} pin, do not program or erase more than one flash module at a time. Normal accesses to modules that are not being programmed are not affected by programming or erasure of another flash module.

The following paragraphs give step-by-step procedures for programming and erasure of flash EEPROM arrays. Refer to APPENDIX A ELECTRICAL CHARACTERISTICS for information on programming and erasing specifications for the flash EEPROM module.

8.3.5 Programming

The following steps are used to program a flash EEPROM array. **Figure 8-1** is a flow-chart of the programming operation. **Figures A-36** and **A-37** in **APPENDIX A ELECTRICAL CHARACTERISTICS** for V_{FPE} to V_{DD} relationships during programming.

1. Increase voltage applied to the V_{FPE} pin to program/erase/verify level.
2. Clear the ERAS bit and set the LAT bit in FEExCTL. This enables the programming address and data latches.
3. Write data to the address to be programmed. This latches the address to be programmed and the programming data.
4. Set the ENPE bit in FEExCTL. This starts the program pulse.
5. Delay the proper amount of time for one programming pulse to take place. Delay is specified by parameter pw_{pp} .
6. Clear the ENPE bit in FEExCTL. This stops the program pulse.
7. Delay while high voltage to array is turned off. Delay is specified by parameter t_{pr} .
8. Read the address to verify that it has been programmed.
9. If the location is not programmed, repeat steps 4 through 7 until the location is programmed, or until the specified maximum number of program pulses has been reached. Maximum number of pulses is specified by parameter n_{pp} .
10. If the location is programmed, repeat the same number of pulses as required to program the location. This provides 100% program margin.
11. Read the address to verify that it remains programmed.
12. Clear the LAT bit in FEExCTL. This disables the programming address and data latches.
13. If more locations are to be programmed, repeat steps 2 through 10.
14. Reduce voltage applied to the V_{FPE} pin to normal read level.



NOTES:

1. SEE ELECTRICAL CHARACTERISTICS FOR V_{FPE} PIN VOLTAGE SEQUENCING.
2. THE MARGIN FLAG IS A SOFTWARE-DEFINED FLAG THAT INDICATES WHETHER THE PROGRAM SEQUENCE IS GENERATING PROGRAM PULSES OR MARGIN PULSES.
3. TO SIMPLIFY THE PROGRAM OPERATION, THE V_{FPE} BIT IN FEExCTL CAN BE SET.
4. CLEAR V_{FPE} BIT ALSO IF ROUTINE USES THIS FUNCTION.

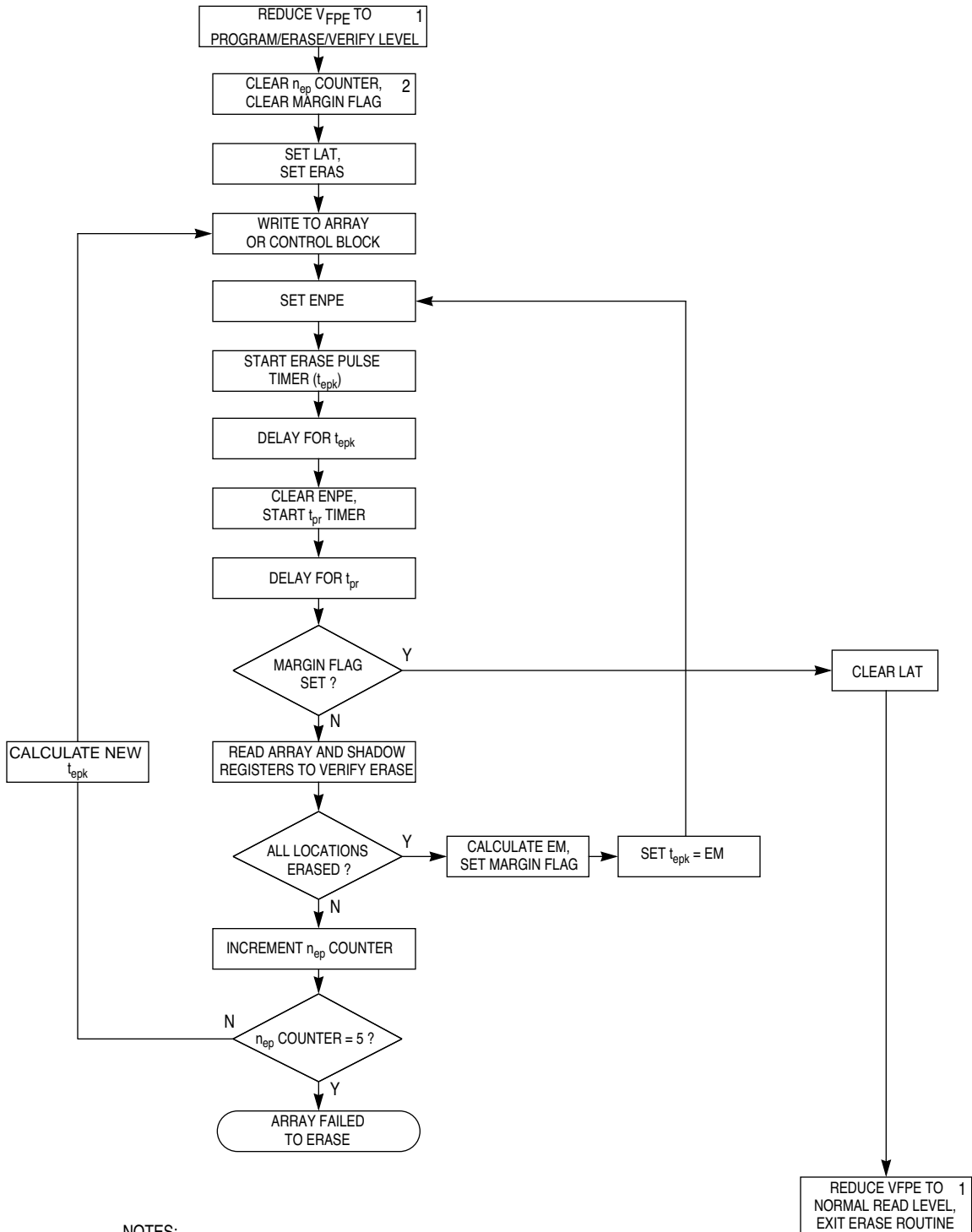
FEEPROM PGM FLOW1 TD

Figure 8-1 Programming Flow

8.3.5.1 Erasure

The following steps are used to erase a flash EEPROM array. **Figure 8-2** is a flowchart of the erasure operation. Refer to **Figures A-36** and **A-37** in APPENDIX A ELECTRICAL CHARACTERISTICS for V_{FPE} to V_{DD} relationships during erasure.

1. Increase voltage applied to the V_{FPE} pin to program/erase/verify level.
2. Set the ERAS bit and the LAT bit in FEECTL. This configures the module for erasure.
3. Perform a write to any valid address in the control block or array. The data written does not matter.
4. Set the ENPE bit in FEECTL. This applies the erase voltage to the array.
5. Delay the proper amount of time for one erase pulse. Delay is specified by parameter t_{epk} .
6. Clear the ENPE bit in FEECTL. This turns off erase voltage to the array.
7. Delay while high voltage to array is turned off. Delay is specified by parameter t_{er} .
8. Read the entire array and control block to ensure all locations are erased.
9. If all locations are not erased, calculate a new value for t_{epk} ($t_{ei} \times$ pulse number) and repeat steps 3 through 10 until all locations erase, or the maximum number of pulses has been applied.
10. If all locations are erased, calculate the erase margin (e_m) and repeat steps 3 through 10 for the single margin pulse.
11. Clear the LAT and ERAS bits in FEECTL. This allows normal access to the flash.
12. Reduce voltage applied to the V_{FPE} pin to normal read level.



NOTES:
 1. SEE ELECTRICAL CHARACTERISTICS FOR V_{FPE} PIN VOLTAGE SEQUENCING.
 2. THE MARGIN FLAG IS A SOFTWARE-DEFINED FLAG THAT INDICATES WHETHER THE PROGRAM SEQUENCE IS GENERATING ERASE PULSES OR MARGIN PULSES.

FEEPROM PGM FLOW2 TD

Figure 8-2 Erasure Flow

SECTION 9 TPU FLASH EEPROM MODULE

The TPU flash EEPROM (TPUFLASH) module is a specially designed block-erasable flash EEPROM (BEFLASH). When placed in TPU mode, it provides a non-volatile, 4-Kbyte microcode storage space for the time processor unit 2 (TPU2). When the TPUFLASH is placed in intermodule bus (IMB) mode, it is no longer used by the TPU2 for TPU microstore emulation and functions as a normal block-erasable flash EEPROM, with a block size of 1-Kbyte and a 4-Kbyte array. The TPUFLASH module is used only in the M68HC916Y3.

9.1 Overview

The TPUFLASH module consists of a control register block that occupies a fixed position in MCU address space and a 4-Kbyte flash EEPROM array that can be mapped to any 4-Kbyte boundary in MCU address space. The array can be configured to reside in both program and data space, or in program space alone.

The TPUFLASH array can be read as either bytes, words, or long-words. The module responds to back-to-back IMB accesses, providing two bus cycle (four system clocks) access for aligned long words. The module can also be programmed to insert up to three wait states per access, to accommodate migration from slower external development memory without re-timing the system.

Both the array and the individual control bits are programmable and erasable under software control. Program/erase voltage must be supplied via the external V_{FPE1K} pin. Data is programmed in byte or word aligned fashion. The module supports both block and bulk erase modes, and has a minimum program/erase life of 100 cycles. Hardware interlocks protect stored data from corruption if the program/erase voltage to the TPUFLASH array is enabled accidentally. The TPUFLASH array is enabled/disabled by a combination of DATA12 and the STOP shadow bit after reset. Hardware interlocks protect stored data from corruption if the program/erase voltage to the TPUFLASH array is enabled accidentally. Also, interlocks are provided to ensure TPU mode is not entered during programming.

9.2 TPUFLASH Control Block

The TPUFLASH module control block contains five registers: the TPUFLASH module configuration register (TFMCR), the TPUFLASH test register (TFTST), the TPUFLASH array base address registers (TFBAH and TFBAL), and the TPUFLASH control register (TFCTL). Four additional words in the control block can contain bootstrap information when the TPUFLASH is used as bootstrap memory.

Each register in the control block has an associated shadow register that is physically located in a spare TPUFLASH row. During reset, fields within the registers are loaded with default information from the shadow registers.

Shadow registers are programmed or erased in the same manner as locations in the TPUFLASH array, using the address of the corresponding control registers. When a shadow register is programmed, the data is not written to the corresponding control register. The new data is not copied into the control register until the next reset. The contents of shadow registers are erased whenever the TPUFLASH array is erased.

Configuration information is specified and programmed independently of the TPUFLASH array. After reset, registers in the control block that contain writable bits can be modified. Writes to these registers do not affect the associated shadow register. Certain registers are writable only when the LOCK bit in TFMCR is disabled or when the STOP bit in TFMCR is set. These restrictions are noted in the individual register descriptions.

9.3 TPUFLASH Array

The base address registers specify the starting address of the TPUFLASH array while the TPUFLASH is in IMB mode. A default base address can be programmed into the base address shadow registers. The array base address must be on an even 4-Kbyte boundary. Because the states of ADDR[23:20] follow the state of ADDR19, addresses in the range \$080000 to \$F7FFFF cannot be accessed by the CPU16. If the TPUFLASH array is mapped to these addresses, the system must be reset before the array can be accessed.

Avoid using a base address value that causes the array to overlap control registers. If a portion of the array overlaps the EEPROM register block, the registers remain accessible, but accesses to that portion of the array are ignored. If the array overlaps the control block of another module, however, those registers may become inaccessible. If the TPUFLASH array overlaps another memory array (RAM or flash EEPROM), proper access to one or both arrays may not be possible.

9.4 TPUFLASH Operation

The following paragraphs describe the operation of the TPUFLASH during reset, system boot, normal operation, and while it is being programmed or erased.

9.4.1 Reset Operation

Reset initializes all TPUFLASH control registers. Some bits have fixed default values, and some take values that are programmed into the associated TPUFLASH shadow registers.

If the state of the STOP shadow bit is zero, and data bus pin DATA12 is pulled high during reset, the STOP bit in TFMCR is cleared during reset, and the module responds to accesses in the range specified by TFBAH and TFBAL. When the $\overline{\text{BOOT}}$ bit is cleared, the module also responds to bootstrap vector accesses.

Freescale Semiconductor, Inc.

If the state of the STOP shadow bit is one, or data bus pin DATA12 is pulled low during reset, the STOP bit in TFMCR is set during reset and the TPUFLASH array is disabled. The module does not respond to array or bootstrap vector accesses until the STOP bit is cleared. This allows an external device to respond to accesses to the TPUFLASH array address space or to bootstrap accesses. The erased state of the shadow bits is one. An erased module comes out of reset in STOP mode.

9.4.2 Bootstrap Operation

After reset, the CPU16 begins bootstrap operation by fetching initial values for its internal registers from IMB addresses \$000000 through \$000006 in program space. These are the addresses of the bootstrap vectors in the exception vector table. If $\overline{\text{BOOT}} = 0$ and $\text{STOP} = 0$ in TFMCR during reset, the TPUFLASH module is configured to respond to bootstrap vector accesses. **Table 9-1** shows the vector assignments.

Table 9-1 Bootstrap Vector Assignments

| EEPROM Bootstrap Word | IMB Vector Address | MCU Reset Vector Content |
|-----------------------|--------------------|--------------------------|
| TFBS0 | \$000000 | Initial ZK, SK, and PK |
| TFBS1 | \$000002 | Initial PC |
| TFBS2 | \$000004 | Initial SP |
| TFBS3 | \$000006 | Initial IZ |

As soon as address \$000006 has been read, TPUFLASH operation returns to normal, and the module no longer responds to bootstrap vector accesses.

If the TPU flash is configured for bootstrap operation, as well as to enter TPU mode automatically out of reset ($\overline{\text{TME}} = 0$), the TPUFLASH first performs the bootstrap accesses, then provides microcode to the TPU2.

9.4.3 Normal Operation

The TPUFLASH allows a byte or aligned-word read in one bus cycle. Long-word reads require two bus cycles.

The module checks function codes to verify address space access type. Array accesses are defined by the state of ASPC[1:0] in TFMCR. When the TPUFLASH is configured for normal operation, the array responds to read accesses only; write operations are ignored.

9.4.4 TPU Mode Operation

When in TPU mode, array data cannot be written from the IMB. It is also impossible to program/erase the TPUFLASH while in TPU Mode. Control registers can be read, but not written to. TPU mode is entered either by setting the emulation control (EMU) bit in the TPU2 module configuration register (TPUMCR), or by setting the TPU mode enable shadow ($\overline{\text{TME}}$) bit in the TPUFLASH module configuration register (TFMCR).

9.4.5 Program/Erase Operation

An unprogrammed TPUFLASH bit has a logic state of one. A bit must be programmed to change its state from one to zero. Erasing a bit returns it to a logic state of one. Programming or erasing the TPUFLASH array requires a series of control register writes and a write to an array address. The same procedure is used to program control registers that contain TPUFLASH bits. Programming is restricted to a single byte or aligned word at a time. Long words and misaligned words cannot be programmed in a single operation. Erasing is performed by bulk or by block. In block erase mode, only one selected block in the array is erased. The entire TPUFLASH array and the shadow register bits are erased at the same time in bulk erase mode. The TPUFLASH must be completely erased before programming final data values. Bulk/Block erase mode is determined by the address written when erasing the array. Refer to **Table 9-2** for the address bit patterns corresponding to specific TPUFLASH blocks.

Note

In order to program the array, programming voltage must be applied to the V_{FPE1K} pin. $V_{FPE1K} \geq (V_{DD} - 0.5 \text{ V})$ must be applied at all times or damage to the TPUFLASH module can occur.

Table 9-2 TPUFLASH Erase Operation Address Ranges

| Block | Addresses Affected | Address Bits Used to Specify Block for Erasure | | | | | | | |
|---------------------------|--------------------|--|----------------|----|----|----|----|----------------|----------------|
| | | ADDR[23:11] | ADDR[10:6] | A5 | A4 | A3 | A2 | A1 | A0 |
| 0 | \$0000 - \$007F | TFBAH/TFBAL ¹ | X ² | 1 | 0 | 0 | 0 | X ² | X ² |
| 1 | \$0080 - \$0100 | | | 1 | 0 | 0 | 1 | | |
| 2 | \$0100 - \$017F | | | 1 | 0 | 1 | 0 | | |
| 3 | \$0180 - \$01FF | | | 1 | 0 | 1 | 1 | | |
| 4 | \$0200 - \$02FF | | | 1 | 1 | 0 | 0 | | |
| 5 | \$0300 - \$03FF | | | 1 | 1 | 0 | 1 | | |
| 6 | \$0400 - \$05FF | | | 1 | 1 | 1 | 0 | | |
| 7 | \$0600 - \$07FF | | | 1 | 0 | 1 | 1 | | |
| Reserved | | | | 1 | X | X | X | | |
| Entire Array ³ | \$0600 - \$07FF | 0 | X | X | X | | | | |

NOTES:

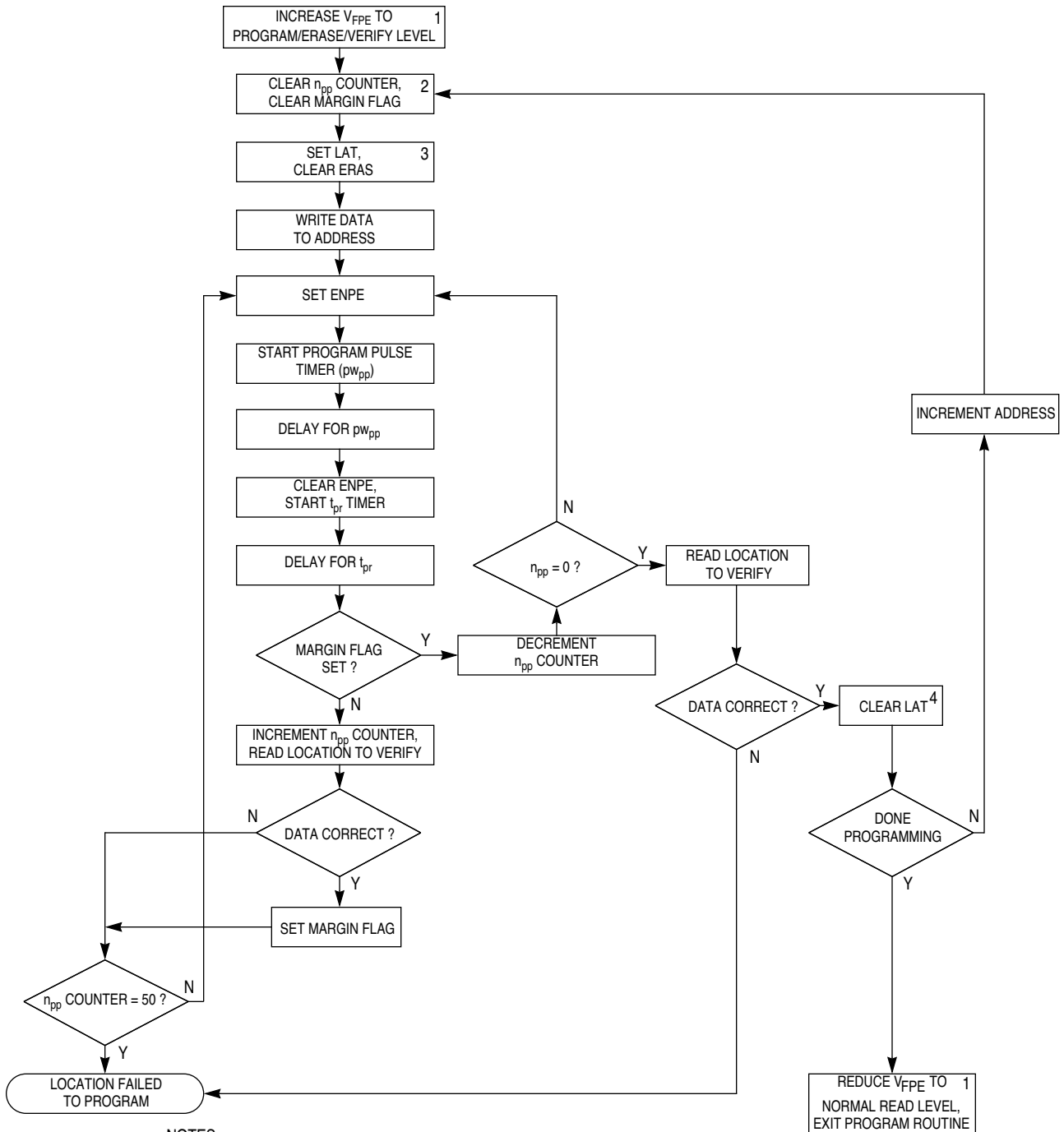
1. The TPUFLASH base address high and low registers (TFBAH and TFBAL) specify ADDR[23:11] of the block to be erased.
2. These address bits are "don't cares" when specifying the block to be erased.
3. Erasing the entire array also erases the TPUFLASH control register shadow bits.

Refer to APPENDIX A ELECTRICAL CHARACTERISTICS for information on programming and erasing specifications for the TPUFLASH module.

9.4.5.1 Programming Sequence

Use the following procedure to program the TPUFLASH. Refer to **Figures A-36** and **A-37** in APPENDIX A ELECTRICAL CHARACTERISTICS for V_{FPE} to V_{DD} relationships during programming. **Figure 9-1** is a flowchart of the TPUFLASH programming operation.

1. Turn on V_{FPE1K} (apply program/erase voltage to V_{FPE1K} pin).
2. Clear ERAS and set LAT and VFPE bits in TFCTL to set program mode, enable programming address and data latches, and invoke special verification read circuitry. Set initial value of t_{ppulse} to t_{pmin} .
3. Write new data to the desired address. This causes the address and data of the location to be programmed to be latched in the programming latches.
4. Set ENPE to apply programming voltage.
5. Delay long enough for one programming pulse to occur (t_{ppulse}).
6. Clear ENPE to remove programming voltage.
7. Delay while high voltage is turning off (t_{vprog}).
8. Read the location just programmed. If the value read is all zeros, proceed to step 9. If not, calculate a new value for t_{ppulse} and repeat steps 4 through 7 until either the location is verified or the total programming time ($t_{progmax}$) has been exceeded. If $t_{progmax}$ has been exceeded, the location may be bad and should not be used.
9. If the location is programmed, calculate $t_{pmargin}$ and repeat steps 4 through 7. If the location does not remain programmed, the location is bad.
10. Clear VFPE and LAT.
11. If there are more locations to program, repeat steps 2 through 10.
12. Turn off V_{FPE1K} (reduce voltage on V_{FPE1K} pin to V_{DD}).
13. Read the entire array to verify that all locations are correct. If any locations are incorrect, the TPUFLASH array is bad.



NOTES:

1. SEE ELECTRICAL CHARACTERISTICS FOR V_{FPE} PIN VOLTAGE SEQUENCING.
2. THE MARGIN FLAG IS A SOFTWARE-DEFINED FLAG THAT INDICATES WHETHER THE PROGRAM SEQUENCE IS GENERATING PROGRAM PULSES OR MARGIN PULSES.
3. TO SIMPLIFY THE PROGRAM OPERATION, THE V_{FPE} BIT IN FEECTL CAN BE SET.
4. CLEAR V_{FPE} BIT ALSO IF ROUTINE USES THIS FUNCTION.

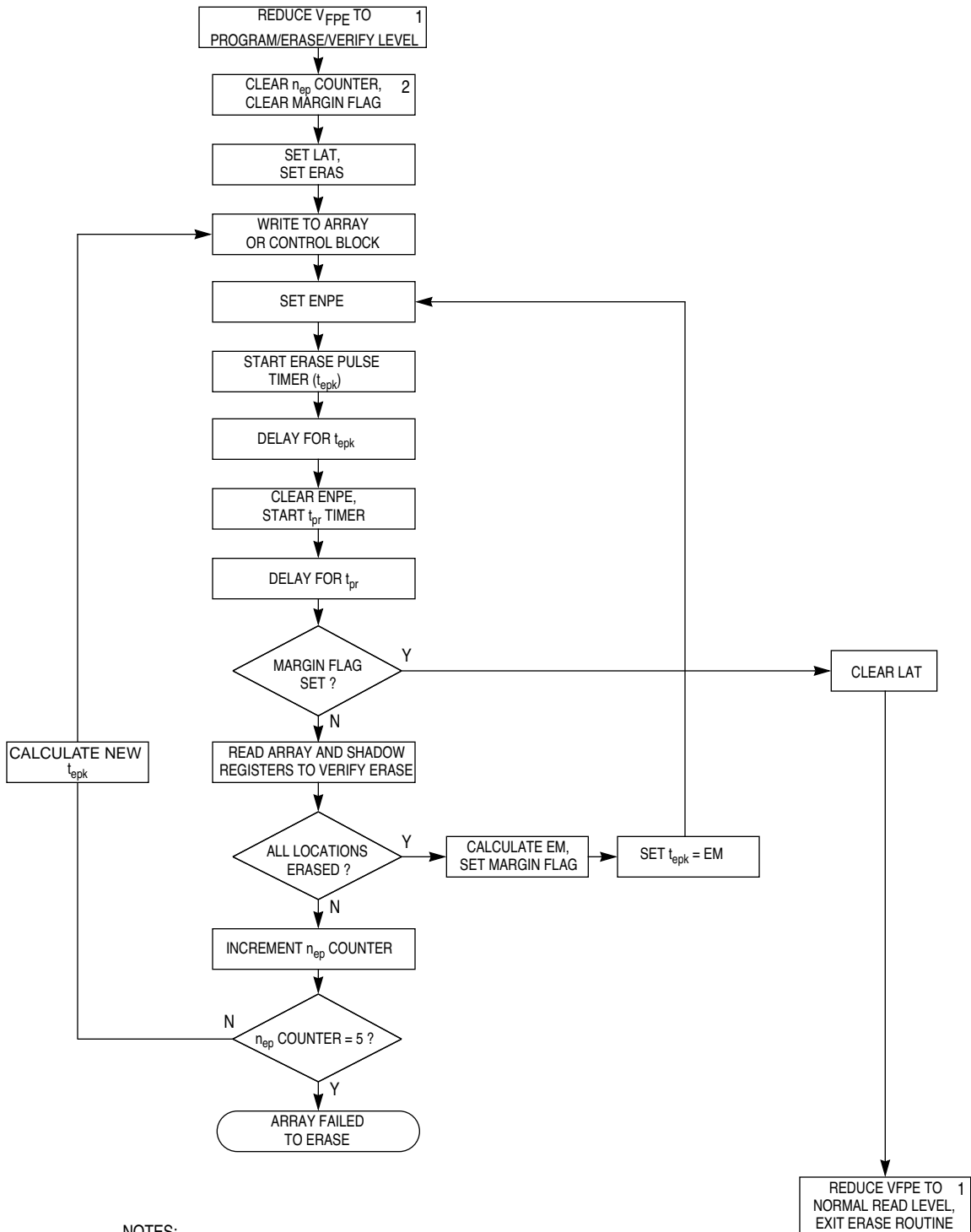
TPUFLASH PGM FLOW1

Figure 9-1 TPUFLASH Programming Flow

9.4.5.2 Erasure Sequence

Use the following procedure to erase the TPUFLASH. Refer to **Figures A-36 and A-37** in APPENDIX A ELECTRICAL CHARACTERISTICS for V_{FPE} to V_{DD} relationships during erasure. **Figure 9-2** is a flowchart of the TPUFLASH erasure operation.

1. Turn on V_{FPE1K} (apply program/erase voltage to V_{FPE1K} pin).
2. Set initial value of t_{epulse} to t_{emin} .
3. Set LAT, VFPE, and ERAS bits to configure the TPUFLASH module for erasure.
4. Write to any valid address in the control block or array. This allows the erase voltage to be turned on. The data written and the address written to are of no consequence.
5. Set ENPE to apply programming voltage.
6. Delay long enough for one erase pulse to occur (t_{epulse}).
7. Clear ENPE to remove programming voltage.
8. Delay while high voltage is turning off (t_{verase}).
9. Clear LAT, ERAS, and VFPE to allow normal access to the TPUFLASH.
10. Read the entire array and control block to ensure that the entire module is erased.
11. If all of the locations are not erased, calculate a new value for t_{epulse} and repeat steps 3 through 10 until either the remaining locations are erased or the maximum erase time ($t_{erasemax}$) has expired.
12. If all locations are erased, calculate $t_{emargin}$ and repeat steps 3 through 10. If all locations do not remain erased, the TPUFLASH array may be bad.
13. Turn off V_{FPE1K} (reduce voltage on V_{FPE1K} pin to V_{DD}).



NOTES:

1. SEE ELECTRICAL CHARACTERISTICS FOR V_{FPE} PIN VOLTAGE SEQUENCING.
2. THE MARGIN FLAG IS A SOFTWARE-DEFINED FLAG THAT INDICATES WHETHER THE PROGRAM SEQUENCE IS GENERATING ERASE PULSES OR MARGIN PULSES.

TPUFLASH PGM FLOW2

Figure 9-2 TPUFLASH Erasure Flow

SECTION 10 ANALOG-TO-DIGITAL CONVERTER

This section is an overview of the analog-to-digital converter module (ADC). Refer to the *ADC Reference Manual (ADCRM/AD)* for a comprehensive discussion of ADC capabilities. Refer to APPENDIX A ELECTRICAL CHARACTERISTICS for ADC timing and electrical specifications. Refer to D.6 Analog-to-Digital Converter Module for register address mapping and bit/field definitions.

10.1 General

The ADC is a unipolar, successive-approximation converter with eight modes of operation. It has selectable 8 or 10-bit resolution. Monotonicity is guaranteed in both modes.

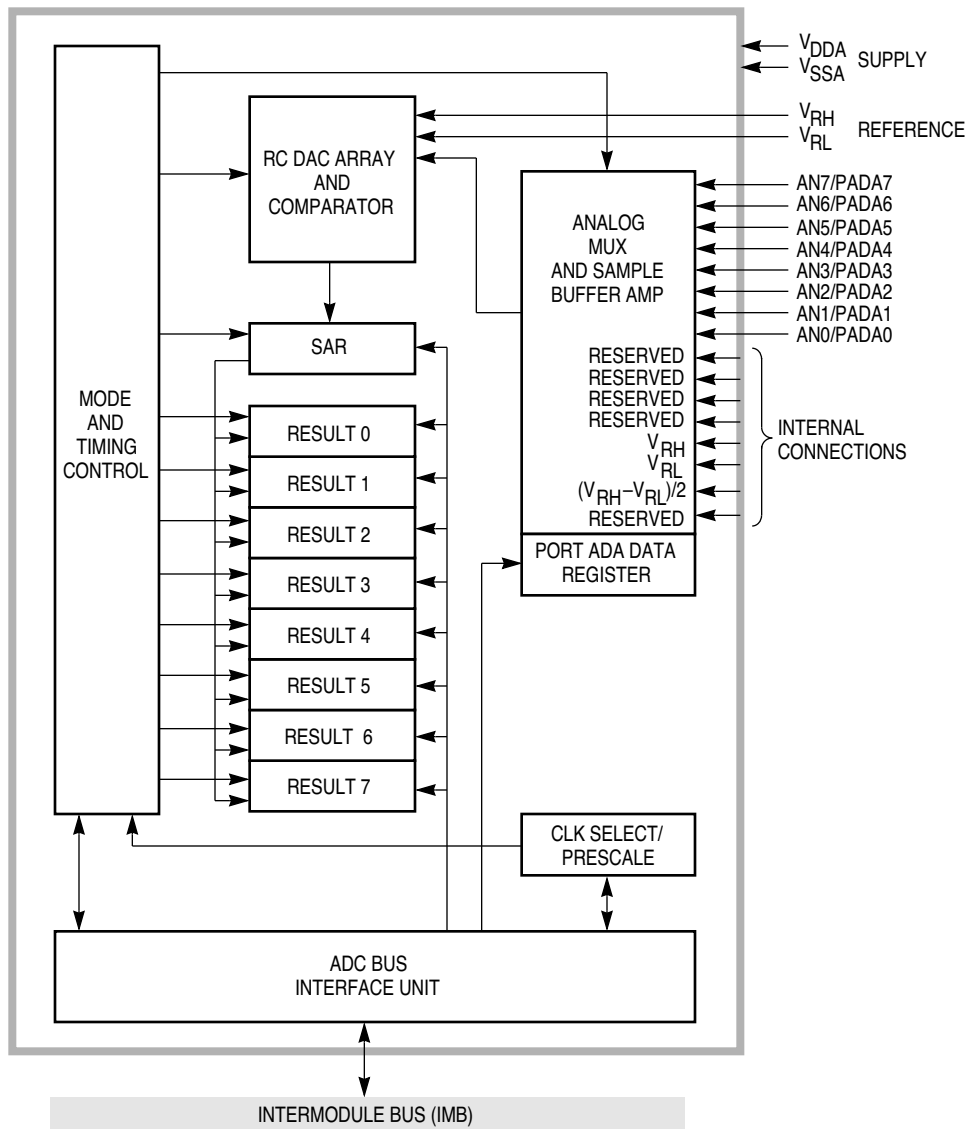
A bus interface unit handles communication between the ADC and other microcontroller modules, and supplies IMB timing signals to the ADC. Special operating modes and test functions are controlled by a module configuration register (ADCMCR) and a factory test register (ADCTST).

ADC module conversion functions can be grouped into three basic subsystems: an analog front end, a digital control section, and result storage. **Figure 10-1** is a functional block diagram of the ADC module.

In addition to use as multiplexer inputs, the eight analog inputs can be used as a general-purpose digital input port (port ADA), provided signals are within logic level specification. A port data register (PORTADA) is used to access input data.

10.2 External Connections

The ADC uses 12 pins on the MCU package. Eight pins are analog inputs (which can also be used as digital inputs), two pins are dedicated analog reference connections (V_{RH} and V_{RL}), and two pins are analog supply connections (V_{DDA} and V_{SSA}).



16 ADC BLOCK 2

Figure 10-1 ADC Block Diagram

10.2.1 Analog Input Pins

Each of the eight analog input pins(AN[7:0]) is connected to a multiplexer in the ADC. The multiplexer selects an analog input for conversion to digital data.

Analog input pins can also be read as digital inputs, provided the applied voltage meet V_{IH} and V_{IL} specification. When used as digital inputs, the pins are organized into an 8-bit port (PORTADA), and referred to as PADA[7:0]. There is no data direction register because port pins are input only.

10.2.2 Analog Reference Pins

Separate high (V_{RH}) and low (V_{RL}) analog reference voltages are connected to the analog reference pins. The pins permit connection of regulated and filtered supplies that allow the ADC to achieve its highest degree of accuracy.

10.2.3 Analog Supply Pins

Pins V_{DDA} and V_{SSA} supply power to analog circuitry associated with the RC DAC. Other circuitry in the ADC is powered from the digital power bus (pins V_{DDI} and V_{SSI}). Dedicated analog power supplies are necessary to isolate sensitive ADC circuitry from noise on the digital power bus.

10.3 Programmer's Model

The ADC module is mapped into 32 words of address space. Five words are control/status registers, one word is digital port data, and 24 words provide access to the results of AD conversion (eight addresses for each type of converted data). Two words are reserved for expansion.

The ADC module base address is determined by the value of the MM bit in the single-chip integration module configuration register (SCIMCR). The base address is normally \$FFF700.

Internally, the ADC has both a differential data bus and a buffered IMB data bus. Registers not directly associated with conversion functions, such as the module configuration register, the module test register, and the port data register, reside on the buffered bus, while conversion registers and result registers reside on the differential bus.

Registers that reside on the buffered bus are updated immediately when written. However, writes to ADC control registers abort any conversion in progress.

10.4 ADC Bus Interface Unit

The ADC is designed to act as a slave device on the intermodule bus. The ADC bus interface unit (ABIU) provides IMB bus cycle termination and synchronizes internal ADC signals with IMB signals. The ABIU also manages data bus routing to accommodate the three conversion data formats, and controls the interface to the module differential data bus.

10.5 Special Operating Modes

Low-power stop mode and freeze mode are ADC operating modes associated with assertion of IMB signals by other microcontroller modules or by external sources. These modes are controlled by the values of bits in the ADC module configuration register (ADCMCR).

10.5.1 Low-Power Stop Mode

When the STOP bit in ADCMCR is set, the IMB clock signal to the ADC is disabled. This places the module in an idle state, and power consumption is minimized. The ABIU does not shut down and ADC registers are still accessible. If a conversion is in progress when STOP is set, it is aborted.

STOP is set during system reset, and must be cleared before the ADC can be used. Because analog circuit bias currents are turned off during low-power stop mode, the ADC requires recovery time after STOP is cleared.

Execution of the CPU16 LPSTOP command places the entire modular microcontroller in low-power stop mode. Refer to 5.3.4 Low-Power Operation for more information.

10.5.2 Freeze Mode

When the CPU16 in the modular microcontroller enters background debugging mode, the FREEZE signal is asserted. The type of response is determined by the value of the FRZ[1:0] field in the ADCMCR. **Table 10-1** shows the different ADC responses to FREEZE assertion.

Table 10-1 FRZ Field Selection

| FRZ[1:0] | Response |
|----------|--------------------------------|
| 00 | Ignore FREEZE |
| 01 | Reserved |
| 10 | Finish conversion, then freeze |
| 11 | Freeze immediately |

When the ADC freezes, the ADC clock stops and all sequential activity ceases. Contents of control and status registers remain valid while frozen. When the FREEZE signal is negated, ADC activity resumes.

If the ADC freezes during a conversion, activity resumes with the next step in the conversion sequence. However, capacitors in the analog conversion circuitry discharge while the ADC is frozen; as a result, the conversion will be inaccurate.

Refer to 4.14.4 Background Debug Mode for more information.

10.6 Analog Subsystem

The analog subsystem consists of a multiplexer, sample capacitors, a buffer amplifier, an RC DAC array, and a high-gain comparator. Comparator output sequences the successive approximation register (SAR). The interface between the comparator and the SAR is the boundary between ADC analog and digital subsystems.

10.6.1 Multiplexer

The multiplexer selects one of 16 sources for conversion. Eight sources are internal and eight are external. Multiplexer operation is controlled by channel selection field CD:CA in register ADCTL1. **Table 10-2** shows the different multiplexer channel sources. The multiplexer contains positive and negative stress protection circuitry. This circuitry prevents voltages on other input channels from affecting the current conversion.

Table 10-2 Multiplexer Channel Sources

| [CD:CA] Value | Input Source |
|---------------|-------------------------|
| 0000 | AN0 |
| 0001 | AN1 |
| 0010 | AN2 |
| 0011 | AN3 |
| 0100 | AN4 |
| 0101 | AN5 |
| 0110 | AN6 |
| 0111 | AN7 |
| 1000 | Reserved |
| 1001 | Reserved |
| 1010 | Reserved |
| 1011 | Reserved |
| 1100 | V_{RH} |
| 1101 | V_{RL} |
| 1110 | $(V_{RH} - V_{RL}) / 2$ |
| 1111 | Test/Reserved |

10.6.2 Sample Capacitor and Buffer Amplifier

Each of the eight external input channels is associated with a sample capacitor and share a single sample buffer amplifier. After a conversion is initiated, the multiplexer output is connected to the sample capacitor at the input of the sample buffer amplifier for the first two ADC clock cycles of the sampling period. The sample amplifier buffers the input channel from the relatively large capacitance of the RC DAC array.

During the second two clock cycles of a sampling period, the sample capacitor is disconnected from the multiplexer, and the sample buffer amplifier charges the RC DAC array with the value stored in the sample capacitor.

During the third portion of a sampling period, both sample capacitor and buffer amplifier are bypassed, and multiplexer input charges the DAC array directly. The length of this third portion of a sampling period is determined by the value of the STS field in ADCTL0.

10.6.3 RC DAC Array

The RC DAC array consists of binary-weighted capacitors and a resistor-divider chain. The array performs two functions: it acts as a sample hold circuit during conversion, and it provides each successive digital-to-analog comparison voltage to the comparator. Conversion begins with MSB comparison and ends with LSB comparison. Array switching is controlled by the digital subsystem.

10.6.4 Comparator

The comparator indicates whether each approximation output from the RC DAC array during resolution is higher or lower than the sampled input voltage. Comparator output is fed to the digital control logic, which sets or clears each bit in the successive approximation register in sequence, MSB first.

10.7 Digital Control Subsystem

The digital control subsystem includes control and status registers, clock and prescaler control logic, channel and reference select logic, conversion sequence control logic, and the successive approximation register.

The subsystem controls the multiplexer and the output of the RC array during sample and conversion periods, stores the results of comparison in the successive-approximation register, then transfers results to the result registers.

10.7.1 Control/Status Registers

There are two control registers (ADCTL0, ADCTL1) and one status register (ADSTAT). ADCTL0 controls conversion resolution, sample time, and clock/prescaler value. ADCTL1 controls analog input selection, conversion mode, and initiation of conversion. A write to ADCTL0 aborts the current conversion sequence and halts the ADC. Conversion must be restarted by writing to ADCTL1. A write to ADCTL1 aborts the current conversion sequence and starts a new sequence with parameters altered by the write. ADSTAT shows conversion sequence status, conversion channel status, and conversion completion status.

The following paragraphs are a general discussion of control function. D.6 Analog-to-Digital Converter Module shows the ADC address map and discusses register bits and fields.

10.7.2 Clock and Prescaler Control

The ADC clock is derived from the system clock by a programmable prescaler. ADC clock period is determined by the value of the PRS field in ADCTL0.

The prescaler has two stages. The first stage is a 5-bit modulus counter. It divides the system clock by any value from 2 to 32 (PRS[4:0] = %00001 to %11111). The second stage is a divide-by-two circuit. **Table 10-3** shows prescaler output values.

Table 10-3 Prescaler Output

| PRS[4:0] | ADC Clock | Minimum System Clock | Maximum System Clock |
|----------|-----------------|----------------------|----------------------|
| %00000 | Reserved | — | — |
| %00001 | System Clock/4 | 2.0 MHz | 8.4 MHz |
| %00010 | System Clock/6 | 3.0 MHz | 12.6 MHz |
| %00011 | System Clock/8 | 4.0 MHz | 16.8 MHz |
| ... | ... | ... | ... |
| %11101 | System Clock/60 | 30.0 MHz | — |
| %11110 | System Clock/62 | 31.0 MHz | — |
| %11111 | System Clock/64 | 32.0 MHz | — |

ADC clock speed must be between 0.5 MHz and 2.1 MHz. The reset value of the PRS field is %00011, which divides a nominal 16.78 MHz system clock by eight, yielding maximum ADC clock frequency. There are a minimum of four IMB clock cycles for each ADC clock cycle.

10.7.3 Sample Time

The first two portions of all sample periods require four ADC clock cycles. During the third portion of a sample period, the selected channel is connected directly to the RC DAC array for a specified number of clock cycles. The value of the STS field in ADCTL0 determines the number of cycles. Refer to **Table 10-4**. The number of clock cycles required for a sample period is the value specified by STS plus four. Sample time is determined by PRS value.

Table 10-4 Sample Time Selection

| STS[1:0] | Sample Time |
|----------|----------------------|
| 00 | 2 ADC Clock Periods |
| 01 | 4 ADC Clock Periods |
| 10 | 8 ADC Clock Periods |
| 11 | 16 ADC Clock Periods |

10.7.4 Resolution

ADC resolution can be either eight or ten bits. Resolution is determined by the state of the RES10 bit in ADCTL0. Both 8-bit and 10-bit conversion results are automatically aligned in the result registers.

10.7.5 Conversion Control Logic

Analog-to-digital conversions are performed in sequences. Sequences are initiated by any write to ADCTL1. If a conversion sequence is already in progress, a write to either control register will abort it and reset the SCF and CCF flags in the A/D status register. There are eight conversion modes. Conversion mode is determined by ADCTL1 control bits. Each conversion mode affects the bits in status register ADSTAT differently. Result storage differs from mode to mode.

10.7.5.1 Conversion Parameters

Table 10-5 describes the conversion parameters controlled by bits in ADCTL1.

Table 10-5 Conversion Parameters Controlled by ADCTL1

| Conversion Parameter | Description |
|---------------------------------------|--|
| Conversion channel | The value of the channel selection field (CD:CA) in ADCTL1 determines which multiplexer inputs are used in a conversion sequence. There are 16 possible inputs. Seven inputs are external pins (AN[6:0]), and nine are internal. |
| Length of sequence | A conversion sequence consists of either four or eight conversions. The number of conversions in a sequence is determined by the state of the S8CM bit in ADCTL1. |
| Single or continuous conversion | Conversion can be limited to a single sequence or a sequence can be performed continuously. The state of the SCAN bit in ADCTL1 determines whether single or continuous conversion is performed. |
| Single or multiple channel conversion | Conversion sequence(s) can be run on a single channel or on a block of four or eight channels. Channel conversion is controlled by the state of the MULT bit in ADCTL1. |

10.7.5.2 Conversion Modes

Conversion modes are defined by the state of the SCAN, MULT, and S8CM bits in ADCTL1. **Table 10-6** shows mode numbering.

Table 10-6 ADC Conversion Modes

| SCAN | MULT | S8CM | Mode |
|------|------|------|------|
| 0 | 0 | 0 | 0 |
| 0 | 0 | 1 | 1 |
| 0 | 1 | 0 | 2 |
| 0 | 1 | 1 | 3 |
| 1 | 0 | 0 | 4 |
| 1 | 0 | 1 | 5 |
| 1 | 1 | 0 | 6 |
| 1 | 1 | 1 | 7 |

The following paragraphs describe each type of conversion mode:

Mode 0 — A single four-conversion sequence is performed on a single input channel specified by the value in CD:CA. Each result is stored in a separate result register (RSLT0 to RSLT3). The appropriate CCF bit in ADSTAT is set as each register is filled. The SCF bit in ADSTAT is set when the conversion sequence is complete.

Mode 1 — A single eight-conversion sequence is performed on a single input channel specified by the value in CD:CA. Each result is stored in a separate result register (RSLT0 to RSLT7). The appropriate CCF bit in ADSTAT is set as each register is filled. The SCF bit in ADSTAT is set when the conversion sequence is complete.

Mode 2 — A single conversion is performed on each of four sequential input channels, starting with the channel specified by the value in CD:CA. Each result is stored in a separate result register (RSLT0 to RSLT3). The appropriate CCF bit in ADSTAT is set as each register is filled. The SCF bit in ADSTAT is set when the last conversion is complete.

Mode 3 — A single conversion is performed on each of eight sequential input channels, starting with the channel specified by the value in CD:CA. Each result is stored in a separate result register (RSLT0 to RSLT7). The appropriate CCF bit in ADSTAT is set as each register is filled. The SCF bit in ADSTAT is set when the last conversion is complete.

Mode 4 — Continuous four-conversion sequences are performed on a single input channel specified by the value in CD:CA. Each result is stored in a separate result register (RSLT0 to RSLT3). Previous results are overwritten when a sequence repeats. The appropriate CCF bit in ADSTAT is set as each register is filled. The SCF bit in ADSTAT is set when the first four-conversion sequence is complete.

Mode 5 — Continuous eight-conversion sequences are performed on a single input channel specified by the value in CD:CA. Each result is stored in a separate result register (RSLT0 to RSLT7). Previous results are overwritten when a sequence repeats. The appropriate CCF bit in ADSTAT is set as each register is filled. The SCF bit in ADSTAT is set when the first eight-conversion sequence is complete.

Mode 6 — Continuous conversions are performed on each of four sequential input channels, starting with the channel specified by the value in CD:CA. Each result is stored in a separate result register (RSLT0 to RSLT3). The appropriate CCF bit in ADSTAT is set as each register is filled. The SCF bit in ADSTAT is set when the first four-conversion sequence is complete.

Mode 7 — Continuous conversions are performed on each of eight sequential input channels, starting with the channel specified by the value in CD:CA. Each result is stored in a separate result register (RSLT0 to RSLT7). The appropriate CCF bit in ADSTAT is set as each register is filled. The SCF bit in ADSTAT is set when the first eight-conversion sequence is complete.

Table 10-7 is a summary of ADC operation when MULT is cleared (single channel modes). **Table 10-8** is a summary of ADC operation when MULT is set (multi-channel modes). Number of conversions per channel is determined by SCAN. Channel numbers are given in order of conversion.

Freescale Semiconductor, Inc.

Table 10-7 Single-Channel Conversions (MULT = 0)

| S8CM | CD | CC | CB | CA | Input | Result Register ¹ |
|------|----|----|----|----|--|------------------------------|
| 0 | 0 | 0 | 0 | 0 | AN0 | RSLT[0:3] |
| 0 | 0 | 0 | 0 | 1 | AN1 | RSLT[0:3] |
| 0 | 0 | 0 | 1 | 0 | AN2 | RSLT[0:3] |
| 0 | 0 | 0 | 1 | 1 | AN3 | RSLT[0:3] |
| 0 | 0 | 1 | 0 | 0 | AN4 | RSLT[0:3] |
| 0 | 0 | 1 | 0 | 1 | AN5 | RSLT[0:3] |
| 0 | 0 | 1 | 1 | 0 | AN6 | RSLT[0:3] |
| 0 | 0 | 1 | 1 | 1 | AN7 | RSLT[0:3] |
| 0 | 1 | 0 | 0 | 0 | Reserved | RSLT[0:3] |
| 0 | 1 | 0 | 0 | 1 | Reserved | RSLT[0:3] |
| 0 | 1 | 0 | 1 | 0 | Reserved | RSLT[0:3] |
| 0 | 1 | 0 | 1 | 1 | Reserved | RSLT[0:3] |
| 0 | 1 | 1 | 0 | 0 | V _{RH} | RSLT[0:3] |
| 0 | 1 | 1 | 0 | 1 | V _{RL} | RSLT[0:3] |
| 0 | 1 | 1 | 1 | 0 | (V _{RH} - V _{RL}) / 2 | RSLT[0:3] |
| 0 | 1 | 1 | 1 | 1 | Test/Reserved | RSLT[0:3] |
| 1 | 0 | 0 | 0 | 0 | AN0 | RSLT[0:7] |
| 1 | 0 | 0 | 0 | 1 | AN1 | RSLT[0:7] |
| 1 | 0 | 0 | 1 | 0 | AN2 | RSLT[0:7] |
| 1 | 0 | 0 | 1 | 1 | AN3 | RSLT[0:7] |
| 1 | 0 | 1 | 0 | 0 | AN4 | RSLT[0:7] |
| 1 | 0 | 1 | 0 | 1 | AN5 | RSLT[0:7] |
| 1 | 0 | 1 | 1 | 0 | AN6 | RSLT[0:7] |
| 1 | 0 | 1 | 1 | 1 | AN7 | RSLT[0:7] |
| 1 | 1 | 0 | 0 | 0 | Reserved | RSLT[0:7] |
| 1 | 1 | 0 | 0 | 1 | Reserved | RSLT[0:7] |
| 1 | 1 | 0 | 1 | 0 | Reserved | RSLT[0:7] |
| 1 | 1 | 0 | 1 | 1 | Reserved | RSLT[0:7] |
| 1 | 1 | 1 | 0 | 0 | V _{RH} | RSLT[0:7] |
| 1 | 1 | 1 | 0 | 1 | V _{RL} | RSLT[0:7] |
| 1 | 1 | 1 | 1 | 0 | (V _{RH} - V _{RL}) / 2 | RSLT[0:7] |
| 1 | 1 | 1 | 1 | 1 | Test/Reserved | RSLT[0:7] |

NOTES:

1. Result register (RSLT) is either RJURRX, LJSRRX, or LJURRX, depending on the address read.

Table 10-8 Multiple-Channel Conversions (MULT = 1)

| S8CM | CD | CC | CB | CA | Input | Result Register ¹ |
|------|----|----|----|----|-------------------------|------------------------------|
| 0 | 0 | 0 | X | X | AN0 | RSLT0 |
| | | | | | AN1 | RSLT1 |
| | | | | | AN2 | RSLT2 |
| | | | | | AN3 | RSLT3 |
| 0 | 0 | 1 | X | X | AN4 | RSLT0 |
| | | | | | AN5 | RSLT1 |
| | | | | | AN6 | RSLT2 |
| | | | | | AN7 | RSLT3 |
| 0 | 1 | 0 | X | X | Reserved | RSLT0 |
| | | | | | Reserved | RSLT1 |
| | | | | | Reserved | RSLT2 |
| | | | | | Reserved | RSLT3 |
| 0 | 1 | 1 | X | X | V_{RH} | RSLT0 |
| | | | | | V_{RL} | RSLT1 |
| | | | | | $(V_{RH} - V_{RL}) / 2$ | RSLT2 |
| | | | | | Test/Reserved | RSLT3 |
| 1 | 0 | X | X | X | AN0 | RSLT0 |
| | | | | | AN1 | RSLT1 |
| | | | | | AN2 | RSLT2 |
| | | | | | AN3 | RSLT3 |
| | | | | | AN4 | RSLT4 |
| | | | | | AN5 | RSLT5 |
| | | | | | AN6 | RSLT6 |
| | | | | | AN7 | RSLT7 |
| 1 | 1 | X | X | X | Reserved | RSLT0 |
| | | | | | Reserved | RSLT1 |
| | | | | | Reserved | RSLT2 |
| | | | | | Reserved | RSLT3 |
| | | | | | V_{RH} | RSLT4 |
| | | | | | V_{RL} | RSLT5 |
| | | | | | $(V_{RH} - V_{RL}) / 2$ | RSLT6 |
| | | | | | Test/Reserved | RSLT7 |

NOTES:

1. Result register (RSLT) is either RJURRX, LJSRRX, or LJURRX, depending on the address read.

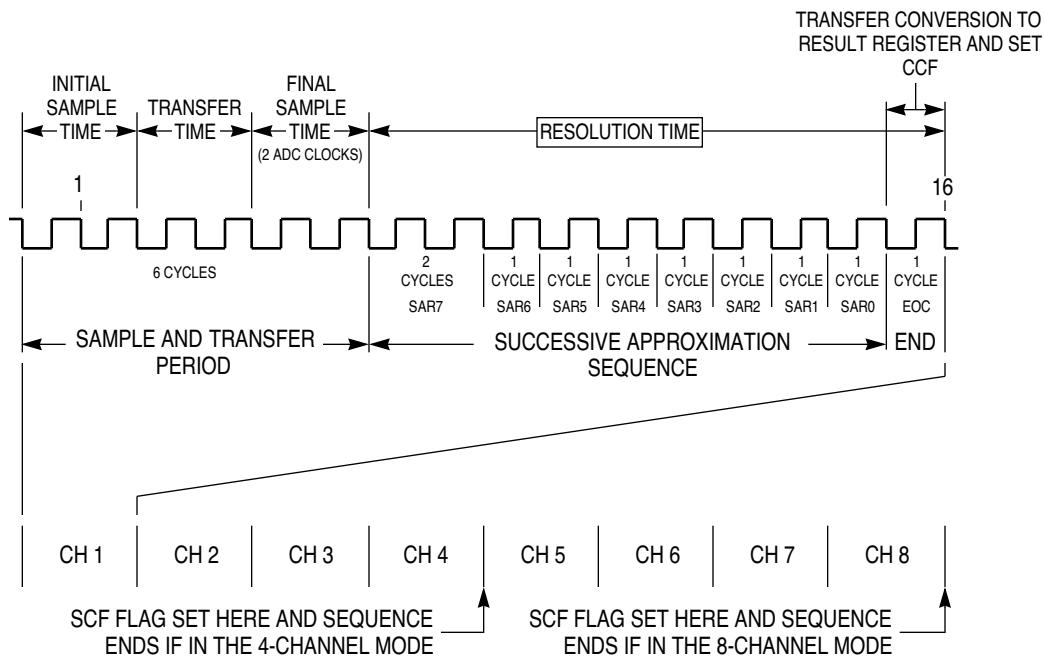
10.7.6 Conversion Timing

Total conversion time is made up of initial sample time, transfer time, final sample time, and resolution time. Initial sample time is the time during which a selected input channel is connected to the sample buffer amplifier through a sample capacitor. During transfer time, the sample capacitor is disconnected from the multiplexer, and the RC DAC array is driven by the sample buffer amp. During final sampling time, the sample capacitor and amplifier are bypassed, and the multiplexer input charges the RC DAC array directly. During resolution time, the voltage in the RC DAC array is converted to a digital value, and the value is stored in the SAR.

Initial sample time and transfer time are fixed at two ADC clock cycles each. Final sample time can be 2, 4, 8, or 16 ADC clock cycles, depending on the value of the STS field in ADCTL0. Resolution time is ten cycles for 8-bit conversion and twelve cycles for 10-bit conversion.

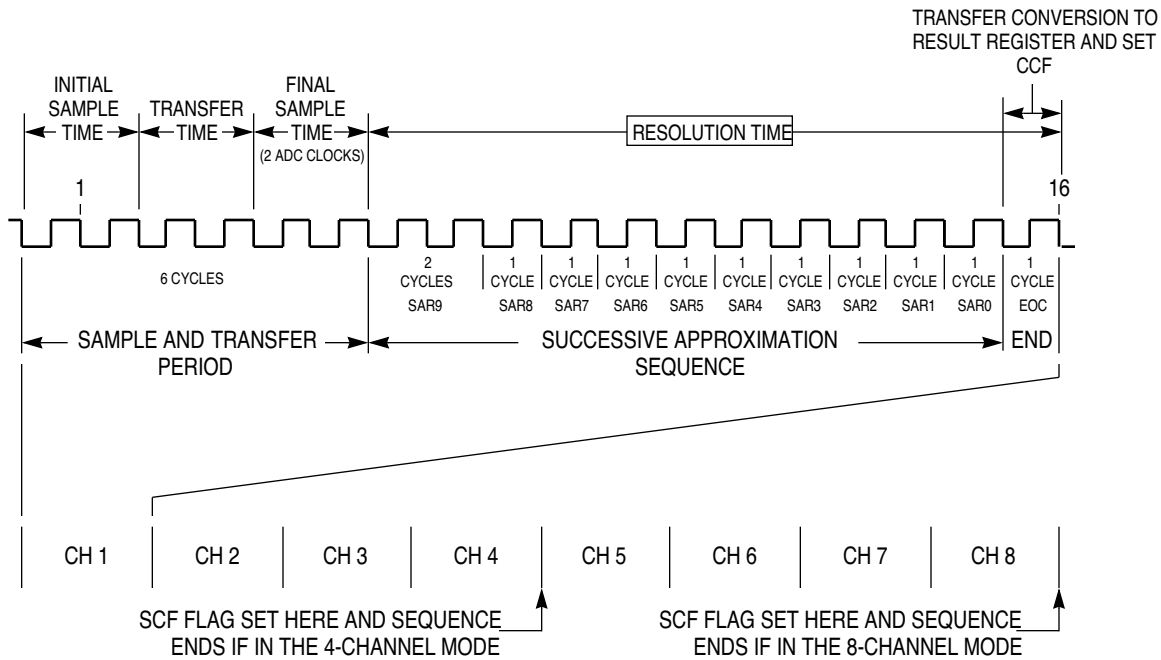
Transfer and resolution require a minimum of 16 ADC clocks (8 μ s with a 2.1 MHz ADC clock) for 8-bit resolution or 18 ADC clocks (9 μ s with a 2.1 MHz ADC clock) for 10-bit resolution. If maximum final sample time (16 ADC clocks) is used, total conversion time is 15 μ s for an 8-bit conversion or 16 μ s for a 10-bit conversion (with a 2.1 MHz ADC clock).

Figures 10-2 and 10-3 illustrate the timing for 8- and 10-bit conversions, respectively. These diagrams assume a final sampling period of two ADC clocks.



16 ADC 8-BIT TIM 1

Figure 10-2 8-Bit Conversion Timing



16 ADC 10-BIT TIM

Figure 10-3 10-Bit Conversion Timing

10.7.7 Successive Approximation Register

The successive approximation register (SAR) accumulates the result of each conversion one bit at a time, starting with the most significant bit.

At the start of the resolution period, the MSB of the SAR is set, and all less significant bits are cleared. Depending on the result of the first comparison, the MSB is either left set or cleared. Each successive bit is set or left cleared in descending order until all eight or ten bits have been resolved.

When conversion is complete, the content of the SAR is transferred to the appropriate result register. Refer to APPENDIX D REGISTER SUMMARY for register mapping and configuration.

10.7.8 Result Registers

Result registers are used to store data after conversion is complete. The registers can be accessed from the IMB under ABIU control. Each register can be read from three different addresses in the ADC memory map. The format of the result data depends on the address from which it is read. **Table 10-9** shows the three types of formats.

Table 10-9 Result Register Formats

| Result Data Format | Description |
|---------------------------------|---|
| Unsigned right-justified format | Conversion result is unsigned right-justified data. Bits [9:0] are used for 10-bit resolution, bits [7:0] are used for 8-bit conversion (bits [9:8] are zero). Bits [15:10] always return zero when read. |
| Signed left-justified format | Conversion result is signed left-justified data. Bits [15:6] are used for 10-bit resolution, bits [15:8] are used for 8-bit conversion (bits [7:6] are zero). Although the ADC is unipolar, it is assumed that the zero point is $(V_{RH} - V_{RL}) / 2$ when this format is used. The value read from the register is an offset two's-complement number; for positive input, bit 15 equals zero, for negative input, bit 15 equals one. Bits [5:0] always return zero when read. |
| Unsigned left-justified format | Conversion result is unsigned left-justified data. Bits [15:6] are used for 10-bit resolution, bits [15:8] are used for 8-bit conversion (bits [7:6] are zero). Bits [5:0] always return zero when read. |

Refer to APPENDIX D REGISTER SUMMARY for register mapping and configuration.

10.8 Pin Considerations

The ADC requires accurate, noise-free input signals for proper operation. The following sections discuss the design of external circuitry to maximize ADC performance.

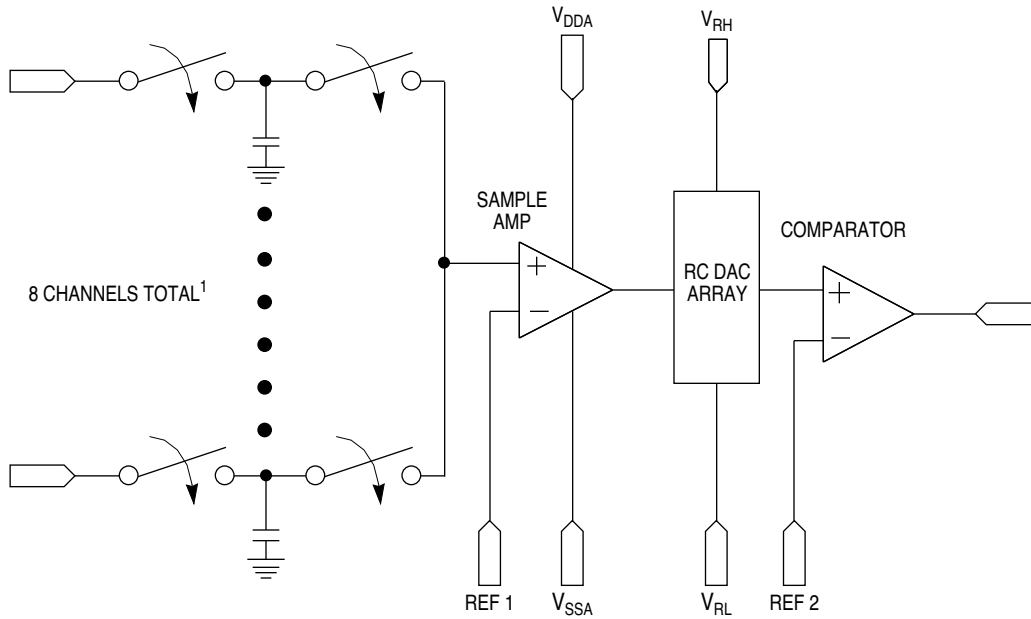
10.8.1 Analog Reference Pins

No A/D converter can be more accurate than its analog reference. Any noise in the reference can result in at least that much error in a conversion. The reference for the ADC, supplied by pins V_{RH} and V_{RL} , should be low-pass filtered from its source to obtain a noise-free, clean signal. In many cases, simple capacitive bypassing may suffice. In extreme cases, inductors or ferrite beads may be necessary if noise or RF energy is present. Series resistance is not advisable since there is an effective DC current requirement from the reference voltage by the internal resistor string in the RC DAC array. External resistance may introduce error in this architecture under certain conditions. Any series devices in the filter network should contain a minimum amount of DC resistance.

For accurate conversion results, the analog reference voltages must be within the limits defined by V_{DDA} and V_{SSA} , as explained in the following subsection.

10.8.2 Analog Power Pins

The analog supply pins (V_{DDA} and V_{SSA}) define the limits of the analog reference voltages (V_{RH} and V_{RL}) and of the analog multiplexer inputs. **Figure 10-4** is a diagram of the analog input circuitry.



NOTES:

1. TWO SAMPLE AMPS EXIST ON THE ADC WITH 8 CHANNELS ON EACH SAMPLE AMP.

ADC 8CH SAMPLE AMP

Figure 10-4 Analog Input Circuitry

Since the sample amplifier is powered by V_{DDA} and V_{SSA} , it can accurately transfer input signal levels up to but not exceeding V_{DDA} and down to but not below V_{SSA} . If the input signal is outside of this range, the output from the sample amplifier is clipped.

In addition, V_{RH} and V_{RL} must be within the range defined by V_{DDA} and V_{SSA} . As long as V_{RH} is less than or equal to V_{DDA} and V_{RL} is greater than or equal to V_{SSA} and the sample amplifier has accurately transferred the input signal, resolution is ratiometric within the limits defined by V_{RL} and V_{RH} . If V_{RH} is greater than V_{DDA} , the sample amplifier can never transfer a full-scale value. If V_{RL} is less than V_{SSA} , the sample amplifier can never transfer a zero value.

Figure 10-5 shows the results of reference voltages outside the range defined by V_{DDA} and V_{SSA} . At the top of the input signal range, V_{DDA} is 10 mV lower than V_{RH} . This results in a maximum obtainable 10-bit conversion value of 3FE. At the bottom of the signal range, V_{SSA} is 15 mV higher than V_{RL} , resulting in a minimum obtainable 10-bit conversion value of 3.

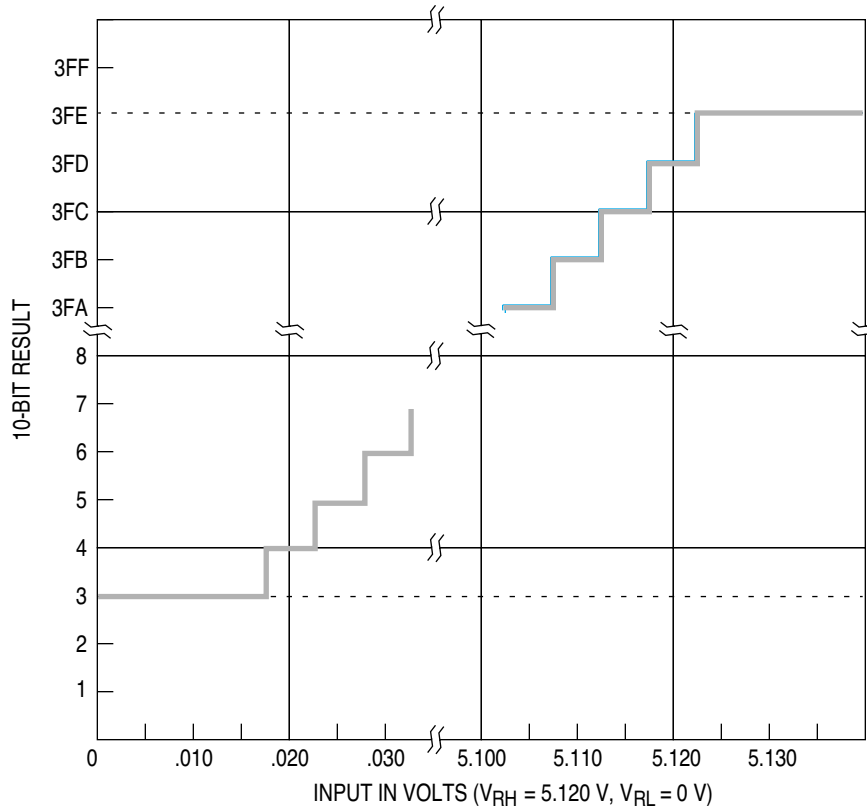


Figure 10-5 Errors Resulting from Clipping

10.8.3 Analog Supply Filtering and Grounding

Two important factors influencing performance in analog integrated circuits are supply filtering and grounding. Generally, digital circuits use bypass capacitors on every V_{DD}/V_{SS} pin pair. This applies to analog subsystems or submodules also. Equally important as bypassing, is the distribution of power and ground.

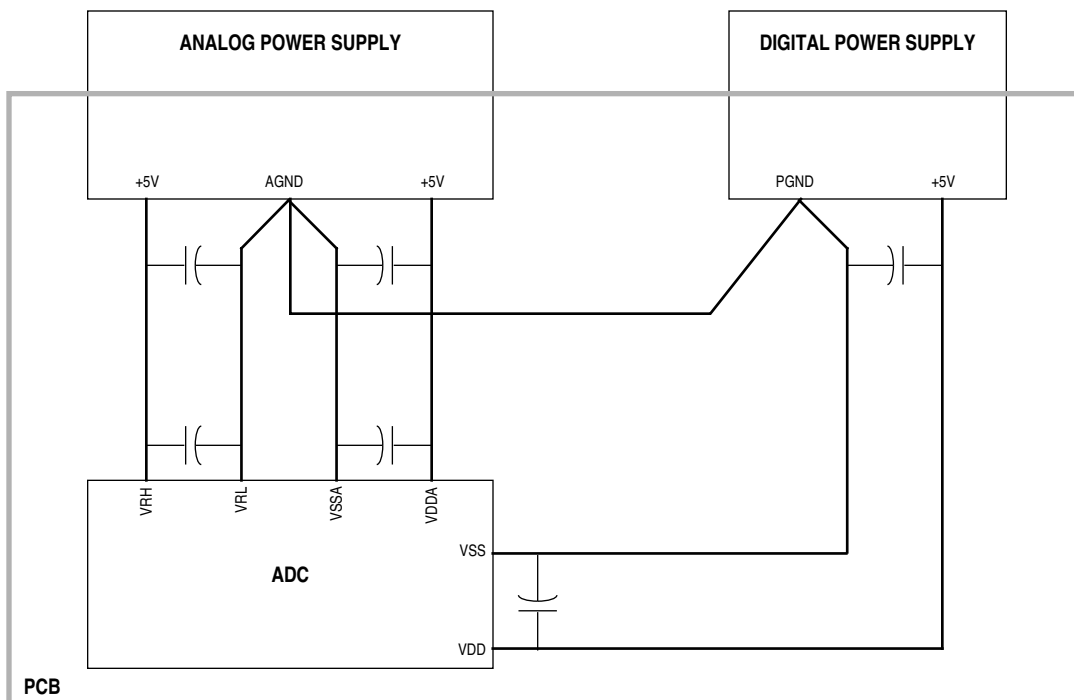
Analog supplies should be isolated from digital supplies as much as possible. This necessity stems from the higher performance requirements often associated with analog circuits. Therefore, deriving an analog supply from a local digital supply is not recommended. However, if for economic reasons digital and analog power are derived from a common regulator, filtering of the analog power is recommended in addition to the bypassing of the supplies already mentioned. For example, a RC low pass filter could be used to isolate the digital and analog supplies when generated by a common regulator. If multiple high precision analog circuits are locally employed (such as two A/D converters), the analog supplies should be isolated from each other as sharing supplies introduces the potential for interference between analog circuits.

Freescale Semiconductor, Inc.

Grounding is the most important factor influencing analog circuit performance in mixed signal systems (or in stand alone analog systems). Close attention must be paid not to introduce additional sources of noise into the analog circuitry. Common sources of noise include ground loops, inductive coupling, and combining digital and analog grounds together inappropriately.

The problem of how and when to combine digital and analog grounds arises from the large transients which the digital ground must handle. If the digital ground is not able to handle the large transients, the current from the large transients can return to ground through the analog ground. It is the excess current overflowing into the analog ground which causes performance degradation by developing a differential voltage between the true analog ground and the microcontroller's ground pin. The end result is that the ground observed by the analog circuit is no longer true ground and often ends in skewed results.

Two similar approaches designed to improve or eliminate the problems associated with grounding excess transient currents involve star-point ground systems. One approach is to star-point the different grounds at the power supply origin, thus keeping the ground isolated. Refer to **Figure 10-6**.



ADC POWER SCHEM

Figure 10-6 Star-Ground at the Point of Power Supply Origin

Another approach is to star-point the different grounds near the analog ground pin on the microcontroller by using small traces for connecting the nonanalog grounds to the analog ground. The small traces are meant only to accommodate DC differences, not AC transients.

NOTE

This star-point scheme still requires adequate grounding for digital and analog subsystems in addition to the star-point ground.

Other suggestions for PCB layout in which the ADC is employed include the following:

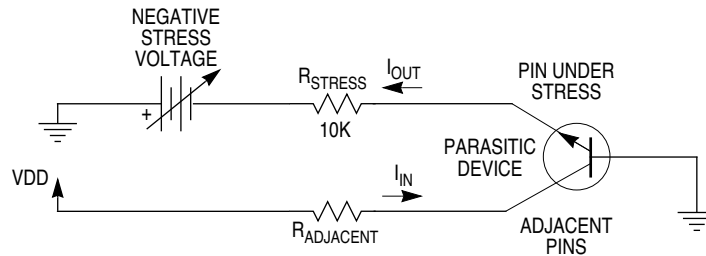
- The analog ground must be low impedance to all analog ground points in the circuit.
- Bypass capacitors should be as close to the power pins as possible.
- The analog ground should be isolated from the digital ground. This can be done by cutting a separate ground plane for the analog ground.
- Non-minimum traces should be utilized for connecting bypass capacitors and filters to their corresponding ground/power points.
- Minimum distance for trace runs when possible.

10.8.4 Accommodating Positive/Negative Stress Conditions

Positive or negative stress refers to conditions which exceed nominally defined operating limits. Examples include applying a voltage exceeding the normal limit on an input (for example, voltages outside of the suggested supply/reference ranges) or causing currents into or out of the pin which exceed normal limits. ADC specific considerations are voltages greater than V_{DDA} , V_{RH} or less than V_{SSA} applied to an analog input which cause excessive currents into or out of the input. Refer to **APPENDIX A ELECTRICAL CHARACTERISTICS** on exact magnitudes.

Both stress conditions can potentially disrupt conversion results on neighboring inputs. Parasitic devices, associated with CMOS processes, can cause an immediate disruptive influence on neighboring pins. Common examples of parasitic devices are diodes to substrate and bipolar devices with the base terminal tied to substrate (V_{SSI}/V_{SSA} ground). Under stress conditions, current introduced on an adjacent pin can cause errors on adjacent channels by developing a voltage drop across the adjacent external channel source impedances.

Figure 10-7 shows an active parasitic bipolar when an input pin is subjected to negative stress conditions. Positive stress conditions do not activate a similar parasitic device.



ADC PAR STRESS CONN

Figure 10-7 Input Pin Subjected to Negative Stress

The current out of the pin (I_{OUT}) under negative stress is determined by the following equation:

$$I_{OUT} = \frac{|V_{STRESS} - V_{BE}|}{R_{STRESS}}$$

where:

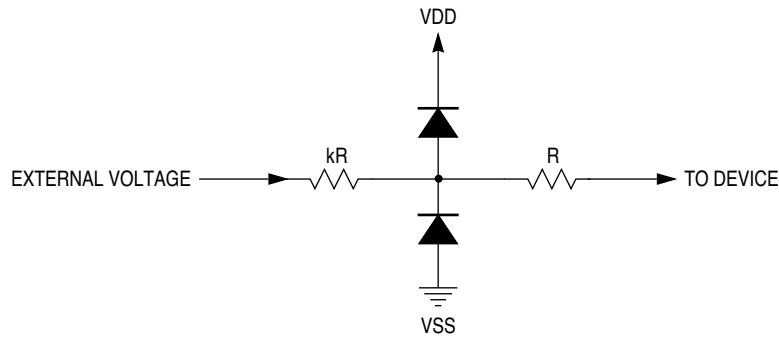
V_{STRESS} = Adjustable voltage source

V_{BE} = Parasitic bipolar base/emitter voltage (refer to $V_{NEGCLAMP}$ in **APPENDIX A ELECTRICAL CHARACTERISTICS**).

R_{STRESS} = Source impedance (10K resistor in **Figure 10-7** on stressed channel)

The current into (I_{IN}) the neighboring pin is determined by the $1/K_N$ (Gain) of the parasitic bipolar transistor ($1/K_N \ll 1$).

One way to minimize the impact of stress conditions on the ADC is to apply voltage limiting circuits such as diodes to supply and ground. However, leakage from such circuits and the potential influence on the sampled voltage to be converted must be considered. Refer to **Figure 10-8**.



ADC NEG STRESS CONN

Figure 10-8 Voltage Limiting Diodes in a Negative Stress Circuit

Another method for minimizing the impact of stress conditions on the ADC is to strategically allocate ADC inputs so that the lower accuracy inputs are adjacent to the inputs most likely to see stress conditions.

Finally, suitable source impedances should be selected to meet design goals and minimize the effect of stress conditions.

10.8.5 Analog Input Considerations

The source impedance of the analog signal to be measured and any intermediate filtering should be considered whether external multiplexing is used or not. **Figure 10-9** shows the connection of eight typical analog signal sources to one ADC analog input pin through a separate multiplexer chip. Also, an example of an analog signal source connected directly to a ADC analog input channel is displayed.

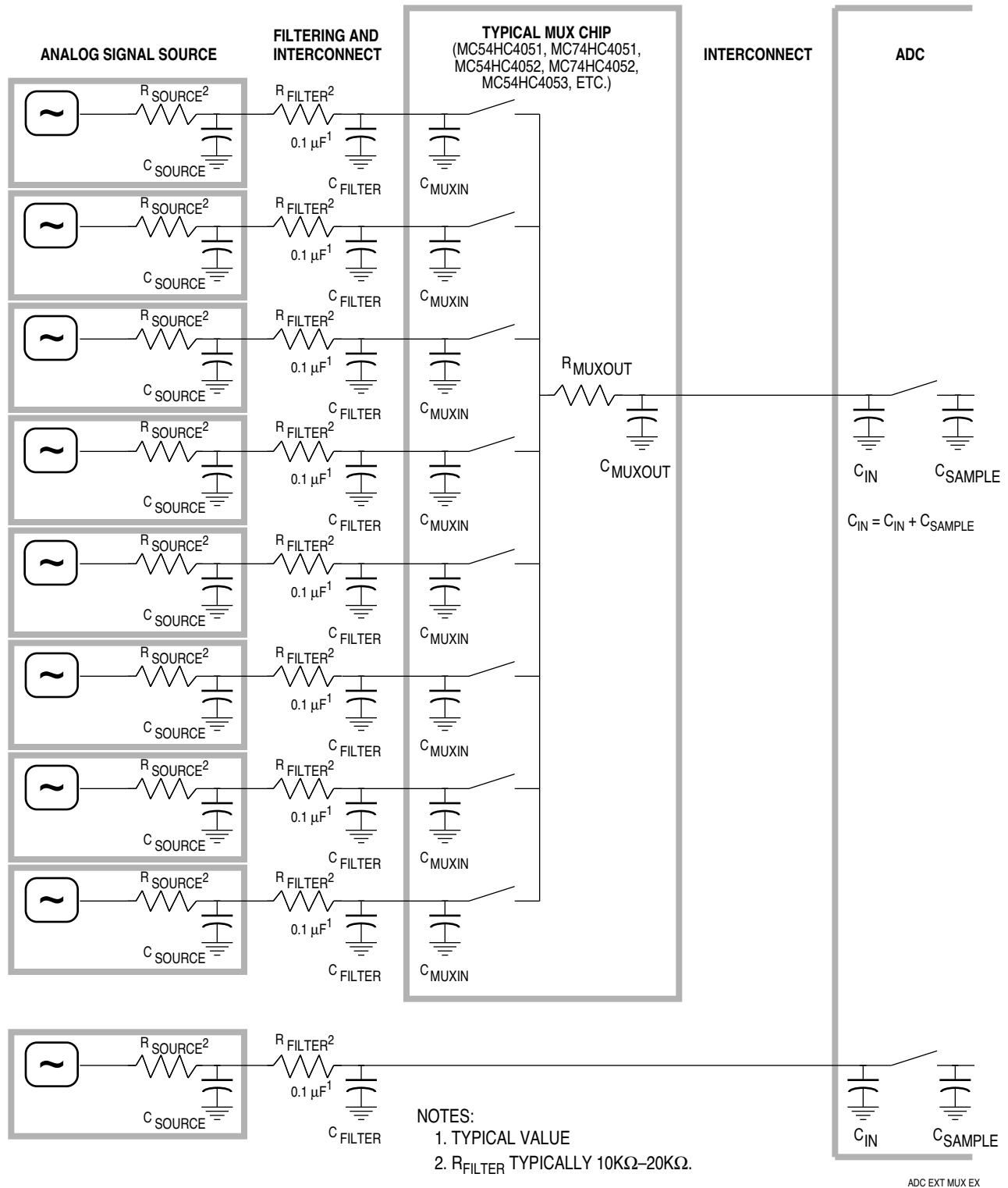


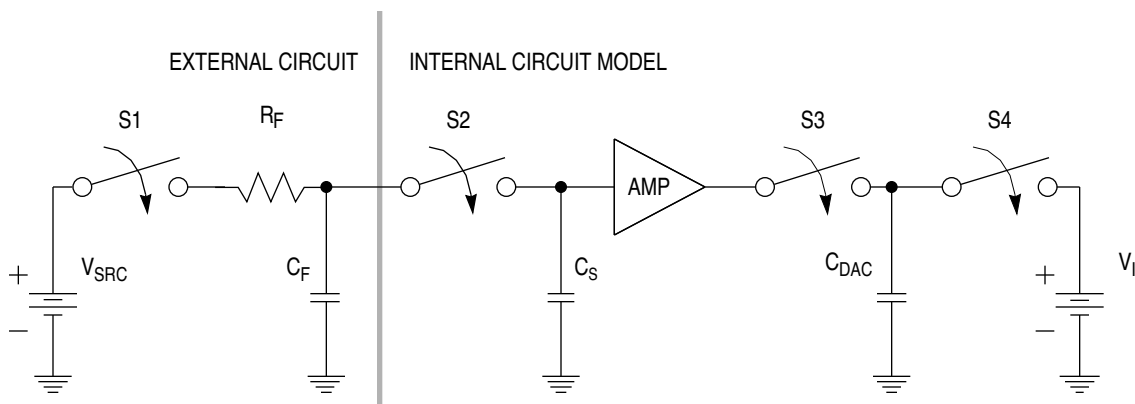
Figure 10-9 External Multiplexing Of Analog Signal Sources

10.8.6 Analog Input Pins

Analog inputs should have low AC impedance at the pins. Low AC impedance can be realized by placing a capacitor with good high frequency characteristics at the input pin of the part. Ideally, that capacitor should be as large as possible (within the practical range of capacitors that still have good high frequency characteristics). This capacitor has two effects. First, it helps attenuate any noise that may exist on the input. Second, it sources charge during the sample period when the analog signal source is a high-impedance source.

Series resistance can be used with the capacitor on an input pin to implement a simple RC filter. The maximum level of filtering at the input pins is application dependent and is based on the bandpass characteristics required to accurately track the dynamic characteristics of an input. Simple RC filtering at the pin may be limited by the source impedance of the transducer or circuit supplying the analog signal to be measured. Refer to 10.8.6.2 Error Resulting from Leakage. In some cases, the size of the capacitor at the pin may be very small.

Figure 10-10 is a simplified model of an input channel. Refer to this model in the following discussion of the interaction between the user's external circuitry and the circuitry inside the ADC.



- V_{SRC} = SOURCE VOLTAGE
- R_F = FILTER IMPEDANCE (SOURCE IMPEDANCE INCLUDED)
- C_F = FILTER CAPACITOR
- C_S = INTERNAL CAPACITANCE (FOR A BYPASSED CHANNEL, THIS IS THE C_{DAC} CAPACITANCE)
- C_{DAC} = DAC CAPACITOR ARRAY
- V_I = INTERNAL VOLTAGE SOURCE FOR PRECHARGE ($V_{DDA}/2$)

ADC SAMPLE AMP MODEL

Figure 10-10 Electrical Model of an A/D Input Pin

In **Figure 10-10**, R_F and C_F comprise the user's external filter circuit. C_S is the internal sample capacitor. Each channel has its own capacitor. C_S is never precharged; it retains the value of the last sample. V_I is an internal voltage source used to precharge the DAC capacitor array (C_{DAC}) before each sample. The value of this supply is $V_{DDA}/2$, or 2.5 volts for 5-volt operation.

The following paragraphs provide a simplified description of the interaction between the ADC and the user's external circuitry. This circuitry is assumed to be a simple RC low-pass filter passing a signal from a source to the ADC input pin. The following simplifying assumptions are made:

- The source impedance is included with the series resistor of the RC filter.
- The external capacitor is perfect (no leakage, no significant dielectric absorption characteristics, etc.)
- All parasitic capacitance associated with the input pin is included in the value of the external capacitor.
- Inductance is ignored.
- The “on” resistance of the internal switches is zero ohms and the “off” resistance is infinite.

10.8.6.1 Settling Time for the External Circuit

The values for R_F and C_F in the user's external circuitry determine the length of time required to charge C_F to the source voltage level (V_{SRC}).

At time $t = 0$, $S1$ in **Figure 10-10** closes. $S2$ is open, disconnecting the internal circuitry from the external circuitry. Assume that the initial voltage across C_F is 0. As C_F charges, the voltage across it is determined by the following equation, where t is the total charge time:

$$V_{CF} = V_{SRC}(1 - e^{-t/R_F C_F})$$

When $t = 0$, the voltage across $C_F = 0$. As t approaches infinity, V_{CF} will equal V_{SRC} . (This assumes no internal leakage.) With 10-bit resolution, 1/2 of a count is equal to 1/2048 full-scale value. Assuming worst case ($V_{SRC} = \text{full scale}$), **Table 10-10** shows the required time for C_F to charge to within 1/2 of a count of the actual source voltage during 10-bit conversions. **Table 10-10** is based on the RC network in **Figure 10-10**.

NOTE

The following times are completely independent of the A/D converter architecture (assuming the ADC is not affecting the charging).

Table 10-10 External Circuit Settling Time (10-Bit Conversions)

| Filter Capacitor (C _F) | Source Resistance (R _F) | | | |
|------------------------------------|-------------------------------------|--------|--------|--------|
| | 100 Ω | 1 kΩ | 10 kΩ | 100 kΩ |
| 1 μF | 760 μs | 7.6 ms | 76 ms | 760 ms |
| .1 μF | 76 μs | 760 μs | 7.6 ms | 76 ms |
| .01 μF | 7.6 μs | 76 μs | 760 μs | 7.6 ms |
| .001 μF | 760 ns | 7.6 μs | 76 μs | 760 μs |
| 100 pF | 76 ns | 760 ns | 7.6 μs | 76 μs |

The external circuit described in **Table 10-10** is a low-pass filter. A user interested in measuring an AC component of the external signal must take the characteristics of this filter into account.

10.8.6.2 Error Resulting from Leakage

A series resistor limits the current to a pin, therefore input leakage acting through a large source impedance can degrade A/D accuracy. The maximum input leakage current is specified in APPENDIX A ELECTRICAL CHARACTERISTICS. Input leakage is greatest at high operating temperatures and as a general rule decreases by one half for each 10 °C decrease in temperature.

Assuming $V_{RH} - V_{RL} = 5.12 V$, 1 count (assuming 10-bit resolution) corresponds to 5 mV of input voltage. A typical input leakage of 50 nA acting through 100 kΩ of external series resistance results in an error of less than 1 count (5.0 mV). If the source impedance is 1 MΩ and a typical leakage of 50 nA is present, an error of 10 counts (50 mV) is introduced.

In addition to internal junction leakage, external leakage (e.g., if external clamping diodes are used) and charge sharing effects with internal capacitors also contribute to the total leakage current. **Table 10-11** illustrates the effect of different levels of total leakage on accuracy for different values of source impedance. The error is listed in terms of 10-bit counts.

CAUTION

Leakage from the part of 10 nA is obtainable only within a limited temperature range.

Table 10-11 Error Resulting From Input Leakage (IOFF)

| Source Impedance | Leakage Value (10-Bit Conversions) | | | |
|------------------|------------------------------------|------------|------------|------------|
| | 10 nA | 50 nA | 100 nA | 1000 nA |
| 1 kΩ | — | — | — | 0.2 counts |
| 10 kΩ | — | 0.1 counts | 0.2 counts | 2 counts |
| 100 kΩ | 0.2 counts | 1 count | 2 counts | 20 counts |

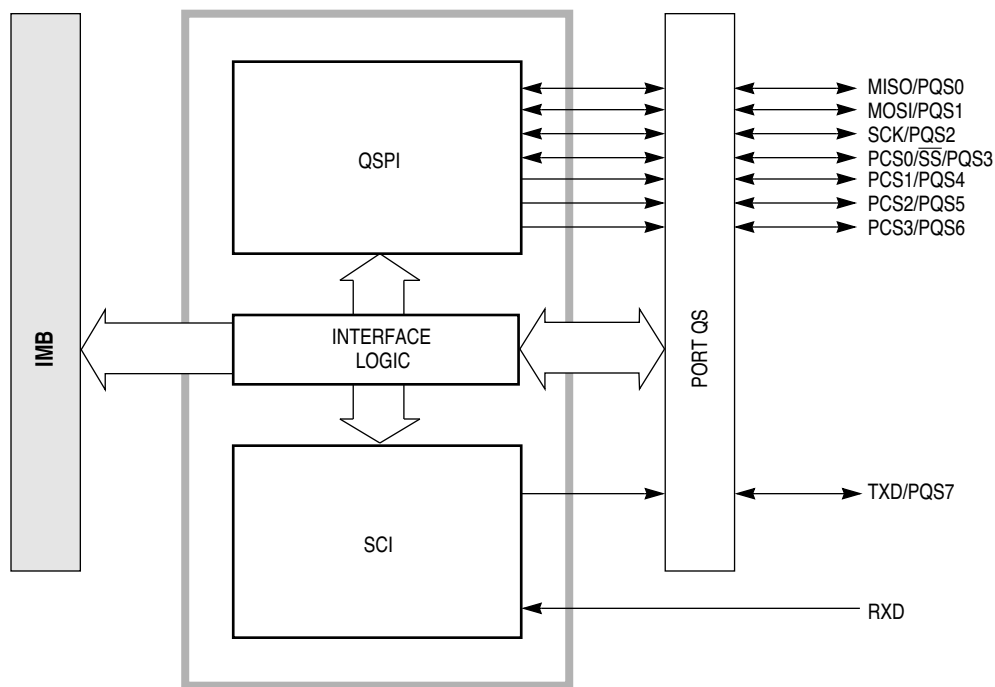
SECTION 11 QUEUED SERIAL MODULE

This section is an overview of the queued serial module (QSM). Refer to the *QSM Reference Manual* (QSMRM/AD) for complete information about the QSM. Refer to D.7 Queued Serial Module for a QSM address map and register bit and field definitions.

11.1 General

The QSM contains two serial interfaces, the queued serial peripheral interface (QSPI) and the serial communication interface (SCI). On the MC68HC16Y3/916Y3, only the QSPI is used; the SCI is not available. Instead, the multichannel communications interface (MCCI) is used to provide two channels of asynchronous communication. Refer to SECTION 12 MULTICHANNEL COMMUNICATION INTERFACE for more information.

Figure 11-1 is a block diagram of the QSM.



QSM BLOCK

Figure 11-1 QSM Block Diagram

The QSPI provides peripheral expansion or interprocessor communication through a full-duplex, synchronous, three-line bus. Four programmable peripheral chip-selects can select up to sixteen peripheral devices by using an external 1 of 16 line selector. A self-contained RAM queue allows up to sixteen serial transfers of eight to sixteen bits each or continuous transmission of up to a 256-bit data stream without CPU16 intervention. A special wrap-around mode supports continuous transmission/reception of data.

The SCI provides a standard non-return to zero (NRZ) mark/space format. It operates in either full- or half-duplex mode. There are separate transmitter and receiver enable bits and dual data buffers. A modulus-type baud rate generator provides rates from 64 to 524 kbaud with a 16.78 MHz system clock. Word length of either eight or nine bits is software selectable. Optional parity generation and detection provide either even or odd parity check capability. Advanced error detection circuitry catches glitches of up to 1/16 of a bit time in duration. Wake-up functions allow the CPU16 to run uninterrupted until meaningful data is available.

11.2 QSM Registers and Address Map

There are four types of QSM registers: QSM global registers, QSM pin control registers, QSPI registers, and SCI registers. Refer to 11.2.1 QSM Global Registers and 11.2.2 QSM Pin Control Registers for a discussion of global and pin control registers. Refer to 11.3.1 QSPI Registers and 11.4.1 SCI Registers for further information about QSPI and SCI registers. Writes to unimplemented register bits have no effect, and reads of unimplemented bits always return zero. Refer to 5.2.1 Module Mapping for more information about how the state of MM affects the system.

11.2.1 QSM Global Registers

The QSM configuration register (QSMCR) controls the interface between the QSM and the intermodule bus. The QSM test register (QTEST) is used during factory test of the QSM. The QSM interrupt level register (QILR) determines the priority of interrupts requested by the QSM and the vector used when an interrupt is acknowledged. The QSM interrupt vector register (QIVR) contains the interrupt vector for both QSM submodules. QILR and QIVR are 8-bit registers located at the same word address.

11.2.1.1 Low-Power Stop Mode Operation

When the STOP bit in QSMCR is set, the system clock input to the QSM is disabled and the module enters low-power stop mode. QSMCR is the only register guaranteed to be readable while STOP is asserted. The QSPI RAM is not readable in low-power stop mode. However, writes to RAM or any register are guaranteed valid while STOP is asserted. STOP can be set by the CPU16 and by reset.

The QSPI and SCI must be brought to an orderly stop before asserting STOP to avoid data corruption. To accomplish this, disable QSM interrupts or set the interrupt priority level mask in the CPU16 condition code register to a value higher than the IRQ level requested by the QSM. The SCI receiver and transmitter should be disabled after transfers in progress are complete. The QSPI can be halted by setting the HALT bit in SPCR3 and then setting STOP after the HALTA flag is set. Refer to **5.3.4 Low-Power Operation** for more information about low-power stop mode.

11.2.1.2 Freeze Operation

The freeze FRZ[1:0] bits in QSMCR are used to determine what action is taken by the QSM when the IMB FREEZE signal is asserted. FREEZE is asserted when the CPU16 enters background debug mode. At the present time, FRZ0 has no effect; setting FRZ1 causes the QSPI to halt on the first transfer boundary following FREEZE assertion. Refer to 4.14.4 Background Debug Mode for more information about background debug mode.

11.2.1.3 QSM Interrupts

Both the QSPI and SCI can generate interrupt requests. Each has a separate interrupt request priority register. A single vector register is used to generate exception vector numbers.

The values of the ILQSPI and ILSCI fields in QILR determine the priority of QSPI and SCI interrupt requests. The values in these fields correspond to internal interrupt request signals $\overline{\text{IRQ}}[7:1]$. A value of %111 causes $\overline{\text{IRQ}}7$ to be asserted when a QSM interrupt request is made. Lower field values cause correspondingly lower-numbered interrupt request signals to be asserted. Setting the ILQSPI or ILSCI field values to %000 disables interrupts for the QSPI and the SCI respectively. If ILQSPI and ILSCI have the same non-zero value, and the QSPI and SCI make simultaneous interrupt requests, the QSPI has priority.

When the CPU16 acknowledges an interrupt request, it places the value in the condition code register interrupt priority (IP) mask on ADDR[3:1]. The QSM compares the IP mask value to the priority of the interrupt request to determine whether it should contend for arbitration. QSM arbitration priority is determined by the value of the IARB field in QSMCR. Each module that can generate interrupt requests must have a non-zero IARB value, otherwise the CPU16 will identify any such interrupt requests as spurious and take a spurious interrupt exception. Arbitration is performed by means of serial contention between values stored in individual module IARB fields.

When the QSM wins interrupt arbitration, it responds to the CPU16 interrupt acknowledge cycle by placing an interrupt vector number on the data bus. The vector number is used to calculate displacement into the CPU16 exception vector table. SCI and QSPI vector numbers are generated from the value in the QIVR INTV field. The values of bits INTV[7:1] are the same for both the QSPI and the SCI. The value of INTV0 is supplied by the QSM when an interrupt request is made. INTV0 = 0 for SCI interrupt requests; INTV0 = 1 for QSPI interrupt requests.

Freescale Semiconductor, Inc.

At reset, INTV[7:0] is initialized to \$0F, the uninitialized interrupt vector number. To enable interrupt-driven serial communication, a user-defined vector number must be written to QIVR, and interrupt handler routines must be located at the addresses pointed to by the corresponding vector. Writes to INTV0 have no effect. Reads of INTV0 return a value of one.

Refer to SECTION 4 CENTRAL PROCESSOR UNIT and SECTION 5 SINGLE-CHIP INTEGRATION MODULE 2 for more information about exceptions and interrupts.

11.2.2 QSM Pin Control Registers

The QSM uses nine pins. Eight of the pins can be used for serial communication or for parallel I/O. Clearing a bit in the port QS pin assignment register (PQSPAR) assigns the corresponding pin to general-purpose I/O; setting a bit assigns the pin to the QSPI. PQSPAR does not affect operation of the SCI.

The port QS data direction register (DDRQS) determines whether pins are inputs or outputs. Clearing a bit makes the corresponding pin an input; setting a bit makes the pin an output. DDRQS affects both QSPI function and I/O function. DDQS7 determines the direction of the TXD pin only when the SCI transmitter is disabled. When the SCI transmitter is enabled, the TXD pin is an output.

The port QS data register (PORTQS) latches I/O data. PORTQS writes drive pins defined as outputs. PORTQS reads return data present on the pins. To avoid driving undefined data, first write PORTQS, then configure DDRQS.

PQSPAR and DDRQS are 8-bit registers located at the same word address. **Table 11-1** is a summary of QSM pin functions.

Table 11-1 Effect of DDRQS on QSM Pin Function

| QSM Pin | QSPI Mode | DDRQS Bit | Bit State | Pin Function |
|------------------|-----------|-----------|-----------|------------------------------|
| MISO | Master | DDQS0 | 0 | Serial data input to QSPI |
| | | | 1 | Disables data input |
| | Slave | | 0 | Disables data output |
| | | | 1 | Serial data output from QSPI |
| MOSI | Master | DDQS1 | 0 | Disables data output |
| | | | 1 | Serial data output from QSPI |
| | Slave | | 0 | Serial data input to QSPI |
| | | | 1 | Disables data input |
| SCK ¹ | Master | DDQS2 | — | Clock output from QSPI |
| | Slave | | — | Clock input to QSPI |
| PCS0/SS | Master | DDQS3 | 0 | Assertion causes mode fault |
| | | | 1 | Chip-select output |
| | Slave | | 0 | QSPI slave select input |
| | | | 1 | Disables slave select Input |
| PCS[1:3] | Master | DDQS[4:6] | 0 | Disables chip-select output |
| | | | 1 | Chip-select output |
| | Slave | | 0 | Inactive |
| | | | 1 | Inactive |
| TXD ² | — | DDQS7 | X | Serial data output from SCI |
| RXD | — | None | NA | Serial data input to SCI |

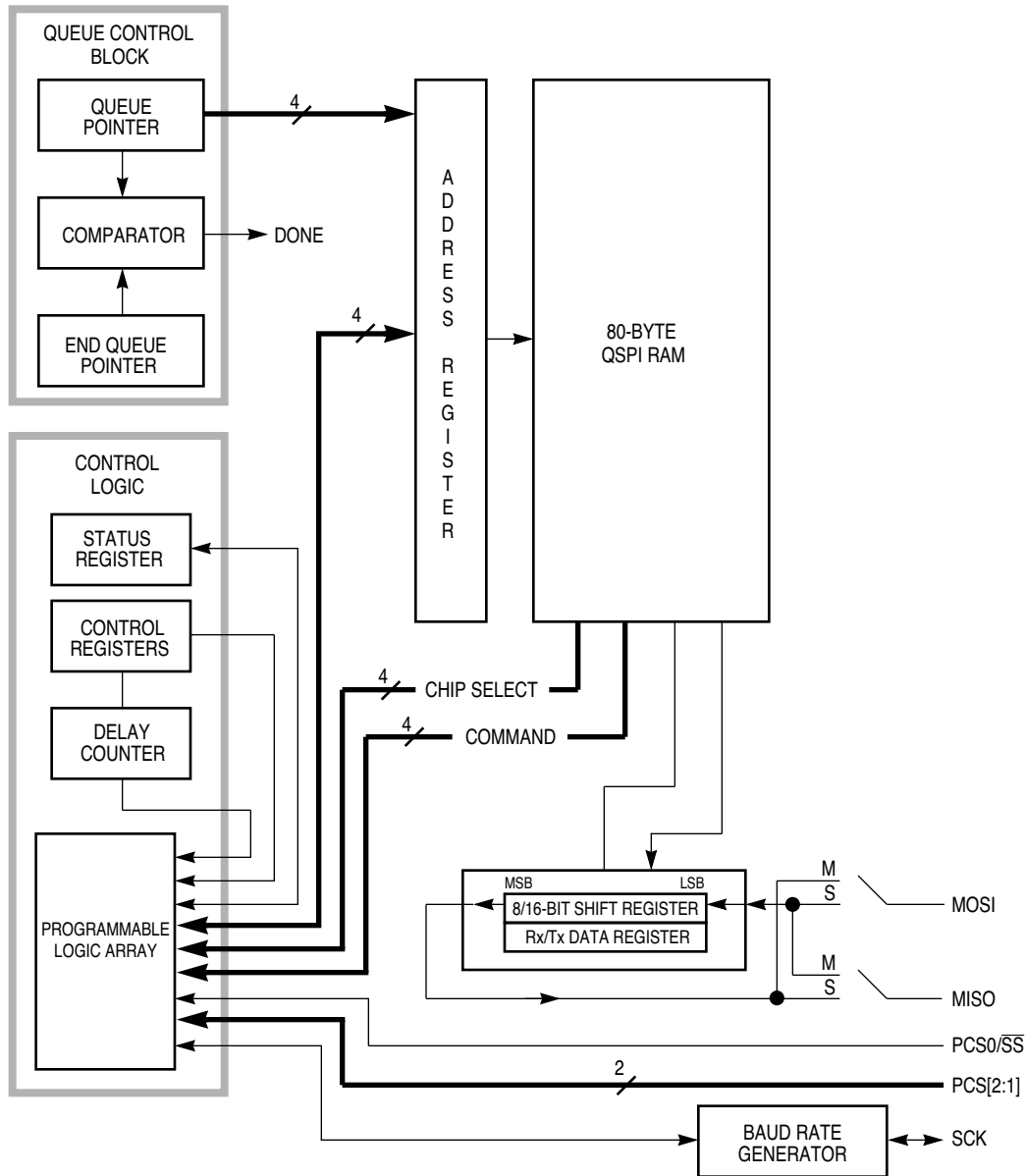
NOTES:

1. PQS2 is a digital I/O pin unless the SPI is enabled (SPE set in SPCR1), in which case it becomes the QSPI serial clock SCK.
2. PQS7 is a digital I/O pin unless the SCI transmitter is enabled (TE set in SCCR1), in which case it becomes the SCI serial data output TXD.

11.3 Queued Serial Peripheral Interface

The queued serial peripheral interface (QSPI) is used to communicate with external devices through a synchronous serial bus. The QSPI is fully compatible with SPI systems found on other Motorola products, but has enhanced capabilities. The QSPI can perform full duplex three-wire or half duplex two-wire transfers. A variety of transfer rates, clocking, and interrupt-driven communication options is available.

Figure 11-2 displays a block diagram of the QSPI.



QSPI BLOCK

Figure 11-2 QSPI Block Diagram

The serial transfer length is programmable from 8 to 16 bits, inclusive. An inter-transfer delay of 17 to 8192 system clocks can be specified (default is 17 system clocks).

A dedicated 80-byte RAM is used to store received data, data to be transmitted, and a queue of commands. The CPU16 can access these locations directly.

The command queue allows the QSPI to perform up to 16 serial transfers without CPU16 intervention. Each queue entry contains all the information needed by the QSPI to independently complete one serial transfer.

A pointer identifies the queue location containing the data and command for the next serial transfer. Normally, the pointer address is incremented after each serial transfer, but the CPU16 can change the pointer value at any time. Support for multiple-tasks can be provided by segmenting the queue.

The QSPI has four peripheral chip-select pins. The chip-select signals simplify interfacing by reducing CPU16 intervention. If the chip-select signals are externally decoded, 16 independent select signals can be generated.

Wrap-around mode allows continuous execution of queued commands. In wrap-around mode, newly received data replaces previously received data in the receive RAM. Wrap-around mode can simplify the interface with A/D converters by continuously updating conversion values stored in the RAM.

Continuous transfer mode allows an uninterrupted bit stream of 8 to 256 bits in length to be transferred without CPU16 intervention. Longer transfers are possible, but minimal intervention is required to prevent loss of data. A standard delay of 17 system clocks is inserted between the transfer of each queue entry.

11.3.1 QSPI Registers

The programmer's model for the QSPI consists of the QSM global and pin control registers, four QSPI control registers (SPCR[0:3]), the status register (SPSR), and the 80-byte QSPI RAM. Registers and RAM can be read and written by the CPU16. Refer to D.7 Queued Serial Module for register bit and field definitions.

11.3.1.1 Control Registers

Control registers contain parameters for configuring the QSPI and enabling various modes of operation. The CPU16 has read and write access to all control registers. The QSM has read access only to all bits except the SPE bit in SPCR1. Control registers must be initialized before the QSPI is enabled to ensure proper operation. SPCR1 must be written last because it contains the QSPI enable bit (SPE).

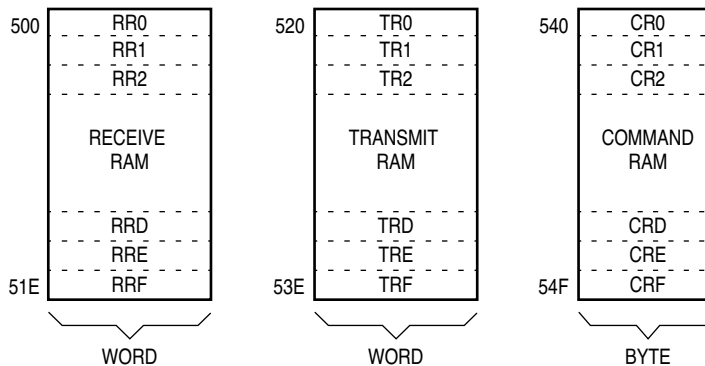
Writing a new value to any control register except SPCR2 while the QSPI is enabled disrupts operation. SPCR2 is buffered. New SPCR2 values become effective after completion of the current serial transfer. Rewriting NEWQP in SPCR2 causes execution to restart at the designated location. Reads of SPCR2 return the current value of the register, not of the buffer. Writing the same value into any control register except SPCR2 while the QSPI is enabled has no effect on QSPI operation.

11.3.1.2 Status Register

SPSR contains information concerning the current serial transmission. Only the QSPI can set the bits in this register. The CPU16 reads SPSR to obtain QSPI status information and writes SPSR to clear status flags.

11.3.2 QSPI RAM

The QSPI contains an 80-byte block of dual-ported static RAM that can be accessed by both the QSPI and the CPU16. The RAM is divided into three segments: receive data RAM, transmit data RAM, and command data RAM. Receive data is information received from a serial device external to the MCU. Transmit data is information stored for transmission to an external device. Command control data defines transfer parameters. Refer to **Figure 11-3**, which shows RAM organization.



QSPI RAM MAP

Figure 11-3 QSPI RAM

11.3.2.1 Receive RAM

Data received by the QSPI is stored in this segment to be read by the CPU16. Data stored in the receive RAM is right-justified. Unused bits in a receive queue entry are set to zero by the QSPI upon completion of the individual queue entry. The CPU16 can access the data using byte, word, or long-word transfers.

The CPTQP value in SPSR shows which queue entries have been executed. The CPU16 can use this information to determine which locations in receive RAM contain valid data before reading them.

11.3.2.2 Transmit RAM

Data that is to be transmitted by the QSPI is stored in this segment and must be written by the CPU16 in right-justified form. The QSPI cannot modify information in the transmit RAM. The QSPI copies the information to its data serializer for transmission. Information remains in the transmit RAM until overwritten.

11.3.2.3 Command RAM

Command RAM is used by the QSPI in master mode. The CPU16 writes one byte of control information to this segment for each QSPI command to be executed. The QSPI cannot modify information in command RAM.

Command RAM consists of 16 bytes. Each byte is divided into two fields. The peripheral chip-select field enables peripherals for transfer. The command control field provides transfer options.

A maximum of 16 commands can be in the queue. Queue execution by the QSPI proceeds from the address in NEWQP through the address in ENDQP (both of these fields are in SPCR2).

11.3.3 QSPI Pins

The QSPI uses seven pins. These pins can be configured for general-purpose I/O when not needed for QSPI application.

Table 11-2 shows QSPI input and output pins and their functions.

Table 11-2 QSPI Pins

| Pin Names | Mnemonics | Mode | Function |
|-------------------------|-----------|---------------------------|---|
| Master In Slave Out | MISO | Master Slave | Serial data input to QSPI Serial data output from QSPI |
| Master Out Slave In | MOSI | Master Slave | Serial data output from QSPI Serial data input to QSPI |
| Serial Clock | SCK | Master Slave | Clock output from QSPI Clock input to QSPI |
| Peripheral Chip Selects | PCS[3:1] | Master | Select peripherals |
| Slave Select | PCS0/SS | Master Master Slave | Selects peripherals Causes mode fault Initiates serial transfer |

11.3.4 QSPI Operation

The QSPI uses a dedicated 80-byte block of static RAM accessible by both the QSPI and the CPU16 to perform queued operations. The RAM is divided into three segments. There are 16 command bytes, 16 transmit data words, and 16 receive data words. QSPI RAM is organized so that one byte of command data, one word of transmit data, and one word of receive data correspond to one queue entry, \$0–\$F.

The CPU16 initiates QSPI operation by setting up a queue of QSPI commands in command RAM, writing transmit data into transmit RAM, then enabling the QSPI. The QSPI executes the queued commands, sets a completion flag (SPIF), and then either interrupts the CPU16 or waits for intervention.

There are four queue pointers. The CPU16 can access three of them through fields in QSPI registers. The new queue pointer(NEWQP), contained in SPCR2, points to the first command in the queue. An internal queue pointer points to the command currently being executed. The completed queue pointer(CPTQP), contained in SPSR, points to the last command executed. The end queue pointer (ENDQP), contained in SPCR2, points to the final command in the queue.

The internal pointer is initialized to the same value as NEWQP. During normal operation, the command pointed to by the internal pointer is executed, the value in the internal pointer is copied into CPTQP, the internal pointer is incremented, and then the sequence repeats. Execution continues at the internal pointer address unless the NEWQP value is changed. After each command is executed, ENDQP and CPTQP are compared. When a match occurs, the SPIF flag is set and the QSPI stops and clears SPE, unless wrap-around mode is enabled.

At reset, NEWQP is initialized to \$0. When the QSPI is enabled, execution begins at queue address \$0 unless another value has been written into NEWQP. ENDQP is initialized to \$0 at reset, but should be changed to show the last queue entry before the QSPI is enabled. NEWQP and ENDQP can be written at any time. When NEWQP changes, the internal pointer value also changes. However, if NEWQP is written while a transfer is in progress, the transfer is completed normally. Leaving NEWQP and ENDQP set to \$0 transfers only the data in transmit RAM location \$0.

11.3.5 QSPI Operating Modes

The QSPI operates in either master or slave mode. Master mode is used when the MCU initiates data transfers. Slave mode is used when an external device initiates transfers. Switching between these modes is controlled by MSTR in SPCR0. Before entering either mode, appropriate QSM and QSPI registers must be initialized properly.

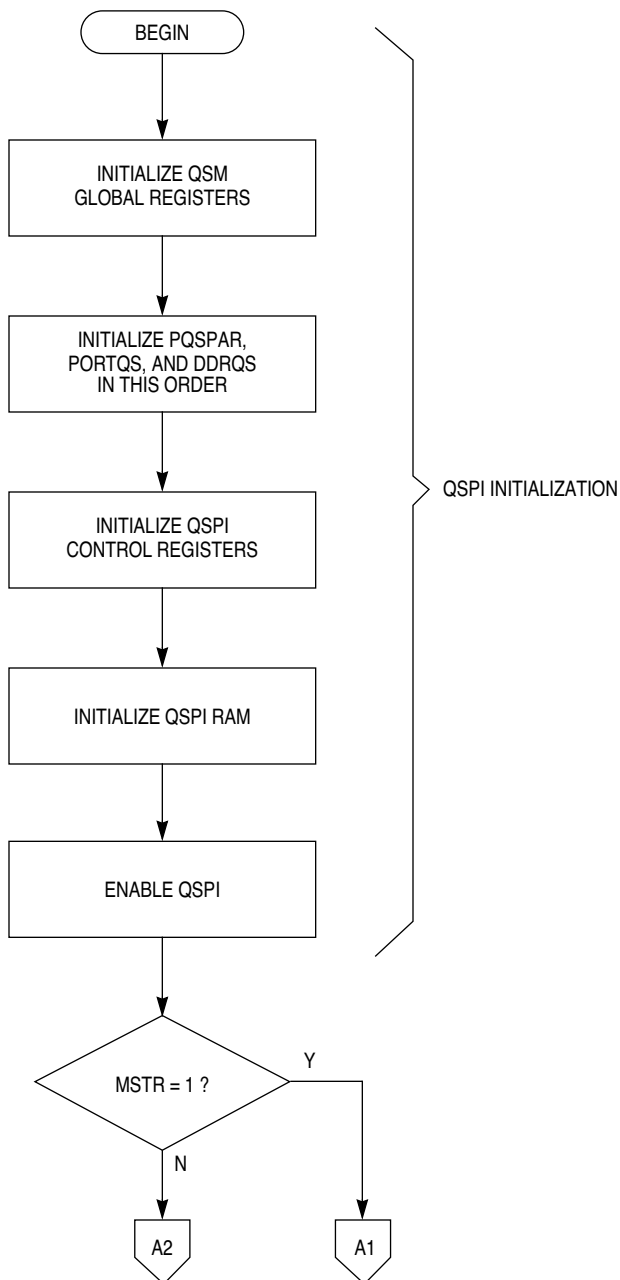
In master mode, the QSPI executes a queue of commands defined by control bits in each command RAM queue entry. Chip-select pins are activated, data is transmitted from the transmit RAM and received by the receive RAM.

In slave mode, operation proceeds in response to \overline{SS} pin activation by an external SPI bus master. Operation is similar to master mode, but no peripheral chip selects are generated, and the number of bits transferred is controlled in a different manner. When the QSPI is selected, it automatically executes the next queue transfer to exchange data with the external device correctly.

Although the QSPI inherently supports multi-master operation, no special arbitration mechanism is provided. A mode fault flag (MODF) indicates a request for SPI master arbitration. System software must provide arbitration. Note that unlike previous SPI systems, MSTR is not cleared by a mode fault being set nor are the QSPI pin output drivers disabled. The QSPI and associated output drivers must be disabled by clearing SPE in SPCR1.

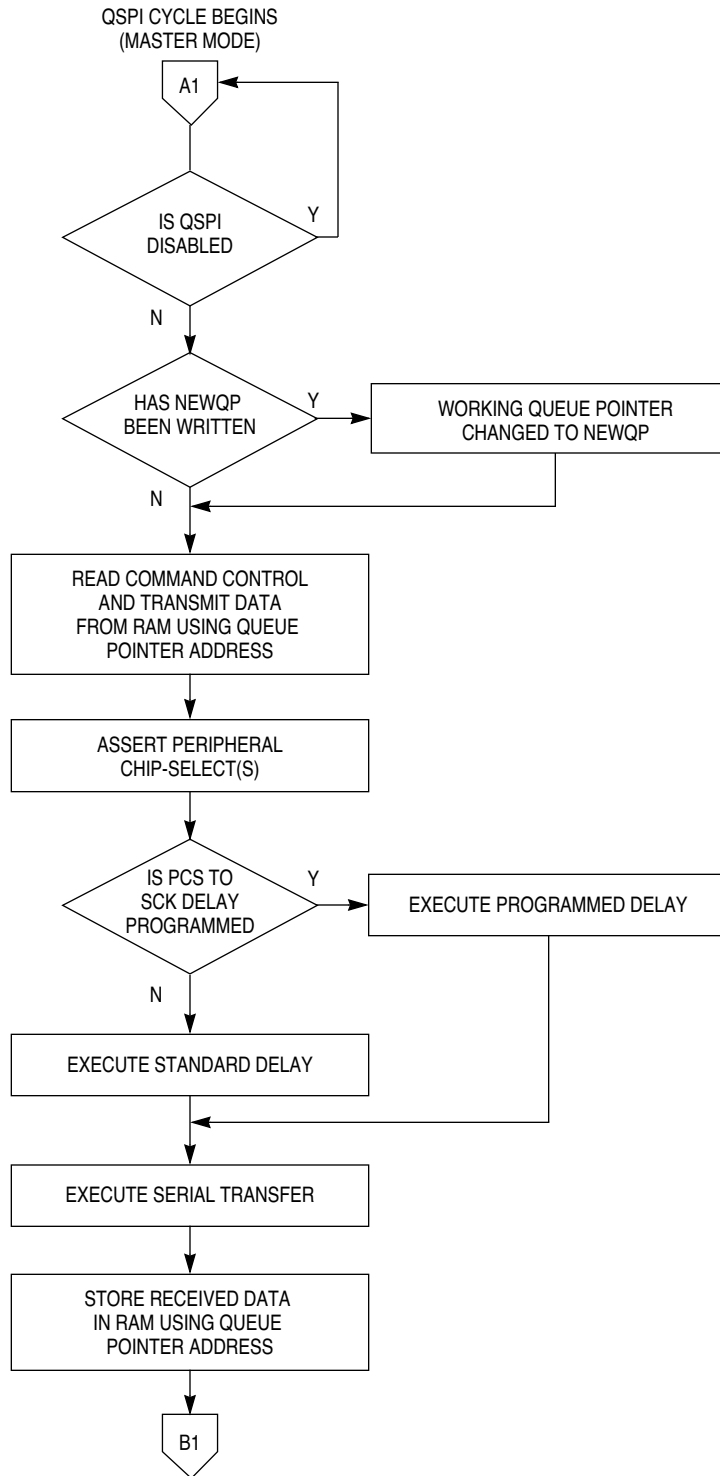
Freescale Semiconductor, Inc.

Figure 11-4 shows QSPI initialization. Figures 11-5 through 11-9 show QSPI master and slave operation. The CPU16 must initialize the QSM global and pin registers and the QSPI control registers before enabling the QSPI for either mode of operation. The command queue must be written before the QSPI is enabled for master mode operation. Any data to be transmitted should be written into transmit RAM before the QSPI is enabled. During wrap-around operation, data for subsequent transmissions can be written at any time.



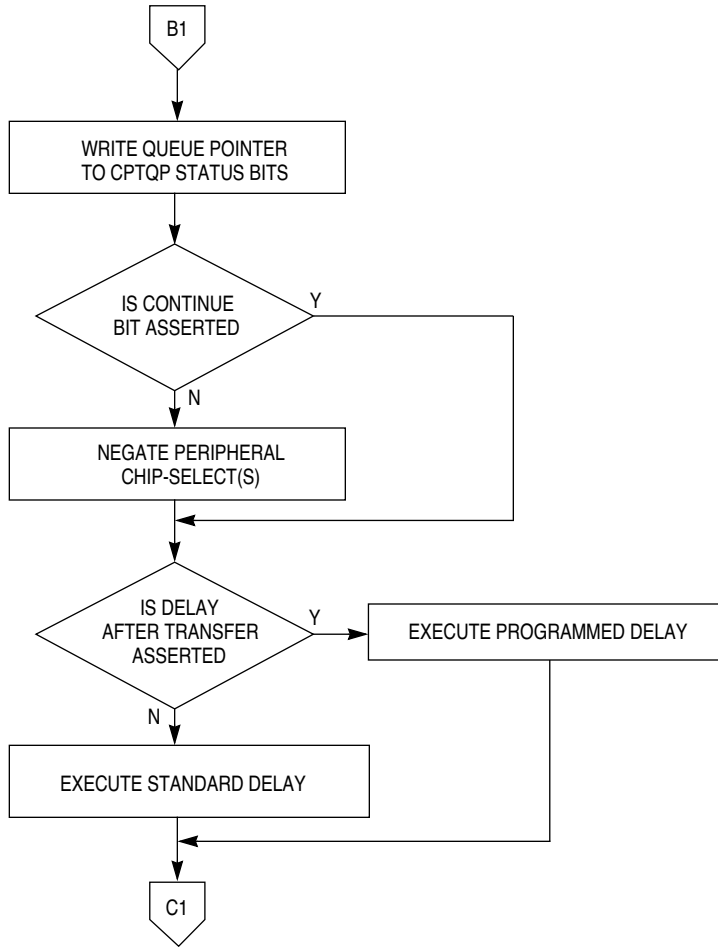
QSPI.FLOW 1

Figure 11-4 Flowchart of QSPI Initialization Operation



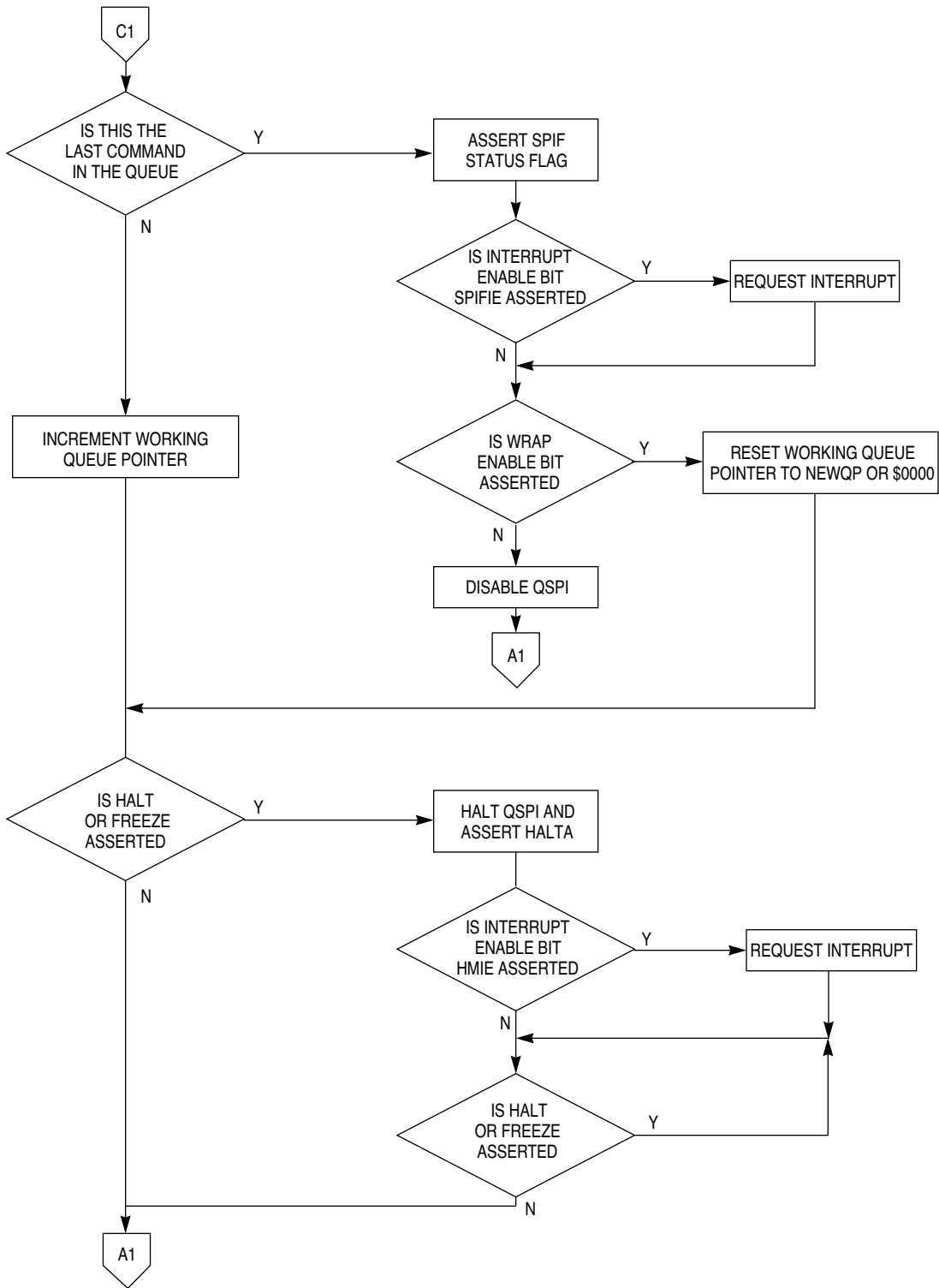
QSPI.FLOW 2

Figure 11-5 Flowchart of QSPI Master Operation (Part 1)



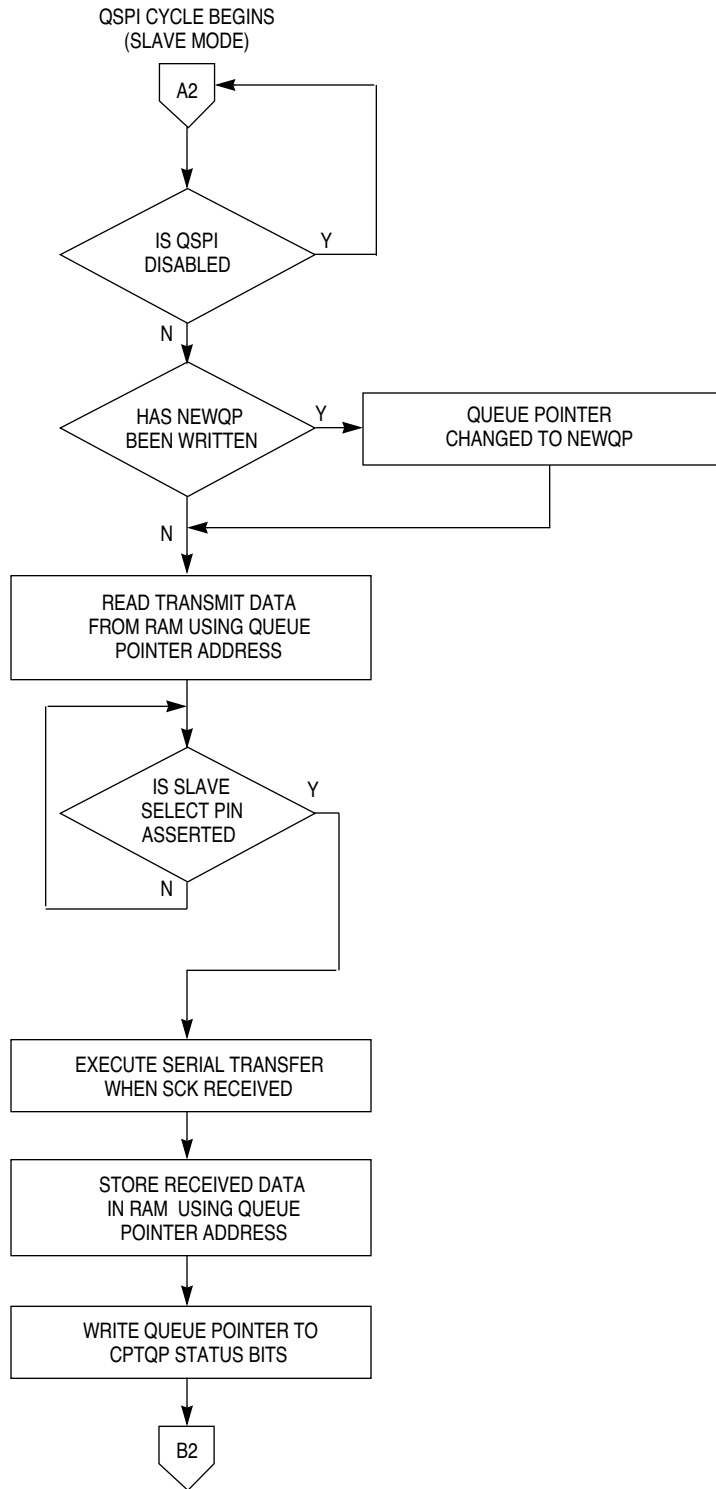
QSPI MSTR2 FLOW 3

Figure 11-6 Flowchart of QSPI Master Operation (Part 2)



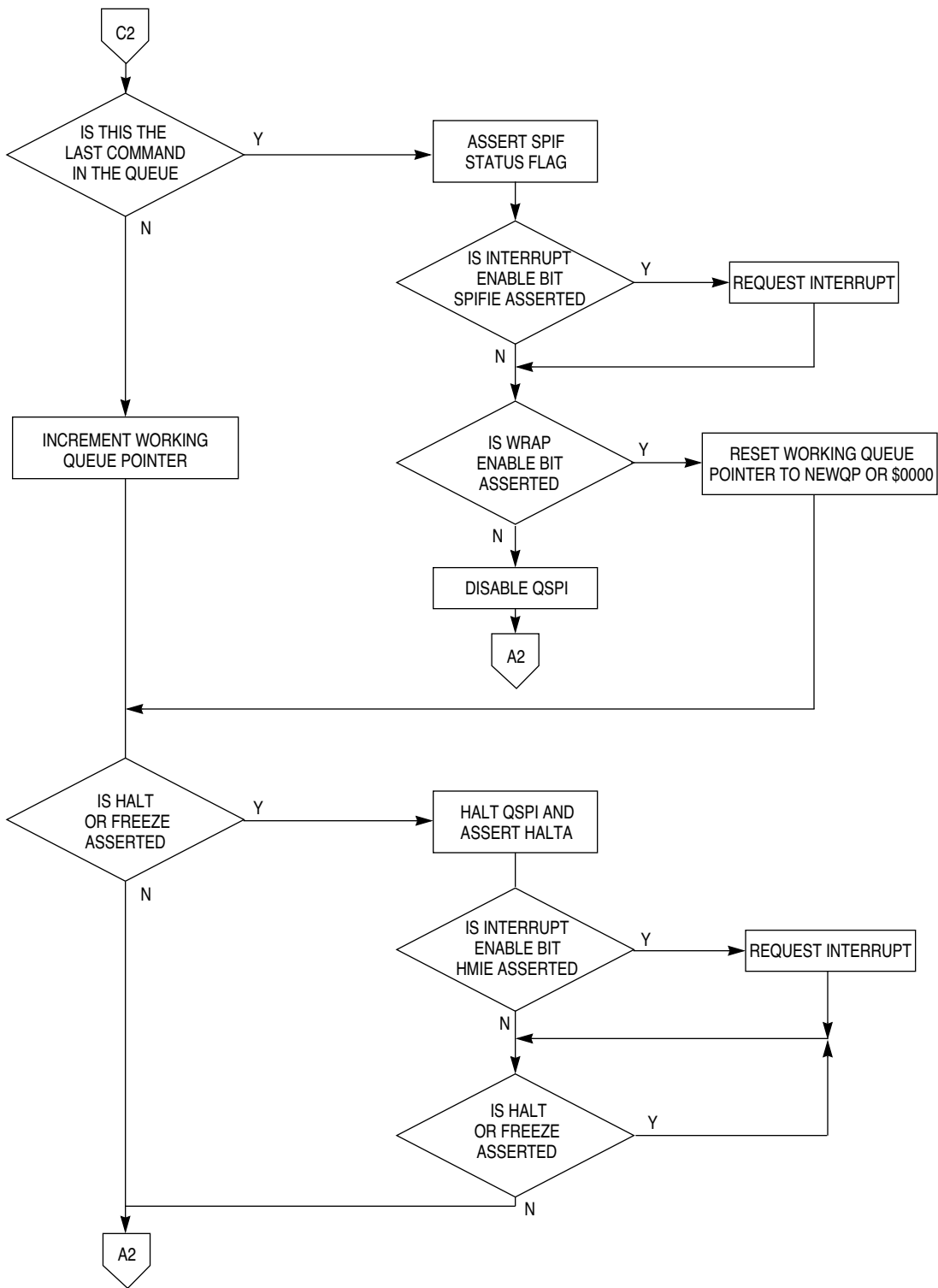
QSPI MSTR3 FLOW 4

Figure 11-7 Flowchart of QSPI Master Operation (Part 3)



QSPI SLV1 FLOW 5

Figure 11-8 Flowchart of QSPI Slave Operation (Part 1)



QSPI SLV2 FLOW 6

Figure 11-9 Flowchart of QSPI Slave Operation (Part 2)

Normally, the SPI bus performs synchronous bidirectional transfers. The serial clock on the SPI bus master supplies the clock signal SCK to time the transfer of data. Four possible combinations of clock phase and polarity can be specified by the CPHA and CPOL bits in SPCR0.

Data is transferred with the most significant bit first. The number of bits transferred per command defaults to eight, but can be set to any value from 8 to 16 bits inclusive by writing a value into the BITS[3:0] field in SPCR0 and setting BITSE in the command RAM.

Typically, SPI bus outputs are not open-drain unless multiple SPI masters are in the system. If needed, the WOMQ bit in SPCR0 can be set to provide wired-OR, open-drain outputs. An external pull-up resistor should be used on each output line. WOMQ affects all QSPI pins regardless of whether they are assigned to the QSPI or used as general-purpose I/O.

11.3.5.1 Master Mode

Setting the MSTR bit in SPCR0 selects master mode operation. In master mode, the QSPI can initiate serial transfers, but cannot respond to externally initiated transfers. When the slave select input of a device configured for master mode is asserted, a mode fault occurs.

Before QSPI operation begins, QSM register PQSPAR must be written to assign the necessary pins to the QSPI. The pins necessary for master mode operation are MISO, MOSI, SCK, and one or more of the chip-select pins. MISO is used for serial data input in master mode, and MOSI is used for serial data output. Either or both may be necessary, depending on the particular application. SCK is the serial clock output in master mode and must be assigned to the QSPI for proper operation.

The PORTQS data register must next be written with values that make the PQS2/SCK and PQS[6:3]/PCS[3:0] outputs inactive when the QSPI completes a series of transfers. Pins allocated to the QSPI by PQSPAR are controlled by PORTQS when the QSPI is inactive. PORTQS I/O pins driven to states opposite those of the inactive QSPI signals can generate glitches that momentarily enable or partially clock a slave device.

For example, if a slave device operates with an inactive SCK state of logic one (CPOL = 1) and uses active low peripheral chip-select PCS0, the PQS[3:2] bits in PORTQS must be set to %11. If PQS[3:2] = %00, falling edges will appear on PQS2/SCK and PQS3/PCS0 as the QSPI relinquishes control of these pins and PORTQS drives them to logic zero from the inactive SCK and PCS0 states of logic one.

Before master mode operation is initiated, QSM register DDRQS is written last to direct the data flow on the QSPI pins used. Configure the SCK, MOSI and appropriate chip-select pins PCS[3:0] as outputs. The MISO pin must be configured as an input.

After pins are assigned and configured, write appropriate data to the command queue. If data is to be transmitted, write the data to transmit RAM. Initialize the queue pointers as appropriate.

Freescale Semiconductor, Inc.

Data transfer is synchronized with the internally-generated serial clock SCK. Control bits, CPHA and CPOL, in SPCR0, control clock phase and polarity. Combinations of CPHA and CPOL determine upon which SCK edge to drive outgoing data from the MOSI pin and to latch incoming data from the MISO pin.

Baud rate is selected by writing a value from 2 to 255 into SPBR[7:0] in SPCR0. The QSPI uses a modulus counter to derive the SCK baud rate from the MCU system clock.

The following expressions apply to the SCK baud rate:

$$\text{SCK Baud Rate} = \frac{f_{\text{sys}}}{2 \times \text{SPBR}[7:0]}$$

or

$$\text{SPBR}[7:0] = \frac{f_{\text{sys}}}{2 \times \text{SCK Baud Rate Desired}}$$

Giving SPBR[7:0] a value of zero or one disables the baud rate generator and SCK assumes its inactive state.

The DSCK bit in each command RAM byte inserts either a standard (DSCK = 0) or user-specified (DSCK = 1) delay from chip-select assertion until the leading edge of the serial clock. The DSCKL field in SPCR1 determines the length of the user-defined delay before the assertion of SCK. The following expression determines the actual delay before SCK:

$$\text{PCS to SCK Delay} = \frac{\text{DSCKL}[6:0]}{f_{\text{sys}}}$$

where DSCKL[6:0] equals {1,2,3,..., 127}.

When DSCK equals zero, DSCKL[6:0] is not used. Instead, the PCS valid-to-SCK transition is one-half the SCK period.

There are two transfer length options. The user can choose a default value of eight bits, or a programmed value from 8 to 16 bits, inclusive. The programmed value must be written into BITS[3:0] in SPCR0. The BITSE bit in each command RAM byte determines whether the default value (BITSE = 0) or the BITS[3:0] value (BITSE = 1) is used. **Table 11-3** shows BITS[3:0] encoding.

Table 11-3 Bits Per Transfer

| BITS[3:0] | Bits per Transfer |
|------------------|--------------------------|
| 0000 | 16 |
| 0001 | Reserved |
| 0010 | Reserved |
| 0011 | Reserved |
| 0100 | Reserved |
| 0101 | Reserved |
| 0110 | Reserved |
| 0111 | Reserved |
| 1000 | 8 |
| 1001 | 9 |
| 1010 | 10 |
| 1011 | 11 |
| 1100 | 12 |
| 1101 | 13 |
| 1110 | 14 |
| 1111 | 15 |

Delay after transfer can be used to provide a peripheral deselect interval. A delay can also be inserted between consecutive transfers to allow serial A/D converters to complete conversion. Writing a value to DTL[7:0] in SPCR1 specifies a delay period. The DT bit in each command RAM byte determines whether the standard delay period (DT = 0) or the user-specified delay period (DT = 1) is used. The following expression is used to calculate the delay:

$$\text{Delay after Transfer} = \frac{32 \times \text{DTL}[7:0]}{f_{\text{sys}}} \text{ if } \text{DT} = 1$$

where DTL equals {1, 2, 3,..., 255}.

A zero value for DTL[7:0] causes a delay-after-transfer value of $8192/f_{\text{sys}}$.

$$\text{Standard Delay after Transfer} = \frac{17}{f_{\text{sys}}} \text{ if } \text{DT} = 0$$

Adequate delay between transfers must be specified for long data streams because the QSPI requires time to load a transmit RAM entry for transfer. Receiving devices need at least the standard delay between successive transfers. If the system clock is operating at a slower rate, the delay between transfers must be increased proportionately.

QSPI operation is initiated by setting the SPE bit in SPCR1. Shortly after SPE is set, the QSPI executes the command at the command RAM address pointed to by NEWQP. Data at the pointer address in transmit RAM is loaded into the data serializer and transmitted. Data that is simultaneously received is stored at the pointer address in receive RAM.

When the proper number of bits have been transferred, the QSPI stores the working queue pointer value in CPTQP, increments the working queue pointer, and loads the next data for transfer from transmit RAM. The command pointed to by the incremented working queue pointer is executed next, unless a new value has been written to NEWQP. If a new queue pointer value is written while a transfer is in progress, that transfer is completed normally.

When the CONT bit in a command RAM byte is set, PCS pins are continuously driven to specified states during and between transfers. If the chip-select pattern changes during or between transfers, the original pattern is driven until execution of the following transfer begins. When CONT is cleared, the data in register PORTQS is driven between transfers. The data in PORTQS must match the inactive states of SCK and any peripheral chip-selects used.

When the QSPI reaches the end of the queue, it sets the SPIF flag. SPIF is set during the final transfer before it is complete. If the SPIFIE bit in SPCR2 is set, an interrupt request is generated when SPIF is asserted. At this point, the QSPI clears SPE and stops unless wrap-around mode is enabled.

11.3.5.2 Master Wrap-Around Mode

Wrap-around mode is enabled by setting the WREN bit in SPCR2. The queue can wrap to pointer address \$0 or to the address pointed to by NEWQP, depending on the state of the WRTO bit in SPCR2.

In wrap-around mode, the QSPI cycles through the queue continuously, even while the QSPI is requesting interrupt service. SPE is not cleared when the last command in the queue is executed. New receive data overwrites previously received data in receive RAM. Each time the end of the queue is reached, the SPIF flag is set. SPIF is not automatically reset. If interrupt-driven QSPI service is used, the service routine must clear the SPIF bit to end the current interrupt request. Additional interrupt requests during servicing can be prevented by clearing SPIFIE, but SPIFIE is buffered. Clearing it does not end the current request.

Wrap-around mode is exited by clearing the WREN bit or by setting the HALT bit in SPCR3. Exiting wrap-around mode by clearing SPE is not recommended, as clearing SPE may abort a serial transfer in progress. The QSPI sets SPIF, clears SPE, and stops the first time it reaches the end of the queue after WREN is cleared. After HALT is set, the QSPI finishes the current transfer, then stops executing commands. After the QSPI stops, SPE can be cleared.

11.3.5.3 Slave Mode

Clearing the MSTR bit in SPCR0 selects slave mode operation. In slave mode, the QSPI is unable to initiate serial transfers. Transfers are initiated by an external SPI bus master. Slave mode is typically used on a multi-master SPI bus. Only one device can be bus master (operate in master mode) at any given time.

Before QSPI operation is initiated, QSM register PQSPAR must be written to assign necessary pins to the QSPI. The pins necessary for slave mode operation are MISO, MOSI, SCK, and PCS0/ \overline{SS} . MISO is used for serial data output in slave mode, and MOSI is used for serial data input. Either or both may be necessary, depending on the particular application. SCK is the serial clock input in slave mode and must be assigned to the QSPI for proper operation. Assertion of the active-low slave select signal (\overline{SS}) initiates slave mode operation.

Before slave mode operation is initiated, DDRQS must be written to direct data flow on the QSPI pins used. Configure the MOSI, SCK and PCS0/ \overline{SS} pins as inputs. The MISO pin must be configured as an output.

After pins are assigned and configured, write data to be transmitted into transmit RAM. Command RAM is not used in slave mode, and does not need to be initialized. Set the queue pointers, as appropriate.

When SPE is set and MSTR is clear, a low state on the slave select PCS0/ \overline{SS} pin begins slave mode operation at the address indicated by NEWQP. Data that is received is stored at the pointer address in receive RAM. Data is simultaneously loaded into the data serializer from the pointer address in transmit RAM and transmitted. Transfer is synchronized with the externally generated SCK. The CPHA and CPOL bits determine upon which SCK edge to latch incoming data from the MISO pin and to drive outgoing data from the MOSI pin.

Because the command RAM is not used in slave mode, the CONT, BITSE, DT, DSCK, and peripheral chip-select bits have no effect. The PCS0/ \overline{SS} pin is used only as an input.

The SPBR, DT and DSCKL fields in SPCR0 and SPCR1 bits are not used in slave mode. The QSPI drives neither the clock nor the chip-select pins and thus cannot control clock rate or transfer delay.

Because the BITSE option is not available in slave mode, the BITS field in SPCR0 specifies the number of bits to be transferred for all transfers in the queue. When the number of bits designated by BITS[3:0] has been transferred, the QSPI stores the working queue pointer value in CPTQP, increments the working queue pointer, and loads new transmit data from transmit RAM into the data serializer. The working queue pointer address is used the next time PCS0/ \overline{SS} is asserted, unless the CPU16 writes to NEWQP first.

The QSPI shifts one bit for each pulse of SCK until the slave select input goes high. If \overline{SS} goes high before the number of bits specified by the BITS field is transferred, the QSPI resumes operation at the same pointer address the next time \overline{SS} is asserted.

The maximum value that the BITS field can have is 16. If more than 16 bits are transmitted before \overline{SS} is negated, pointers are incremented and operation continues.

The QSPI transmits as many bits as it receives at each queue address, until the BITS[3:0] value is reached or \overline{SS} is negated. \overline{SS} does not need to go high between transfers as the QSPI transfers data until reaching the end of the queue, whether \overline{SS} remains low or is toggled between transfers.

When the QSPI reaches the end of the queue, it sets the SPIF flag. If the SPIFIE bit in SPCR2 is set, an interrupt request is generated when SPIF is asserted. At this point, the QSPI clears SPE and stops unless wrap-around mode is enabled.

11.3.5.4 Slave Wrap-Around Mode

Slave wrap-around mode is enabled by setting the WREN bit in SPCR2. The queue can wrap to pointer address \$0 or to the address pointed to by NEWQP, depending on the state of the WRTO bit in SPCR2. Slave wrap-around operation is identical to master wrap-around operation.

11.3.6 Peripheral Chip-Selects

Peripheral chip-select signals are used to select an external device for serial data transfer. Chip-select signals are asserted when a command in the queue is executed. Signals are asserted at a logic level corresponding to the value of the PCS[3:0] bits in each command byte. More than one chip-select signal can be asserted at a time, and more than one external device can be connected to each PCS pin, provided proper fanout is observed. PCS0 shares a pin with the slave select \overline{SS} signal, which initiates slave mode serial transfer. If \overline{SS} is taken low when the QSPI is in master mode, a mode fault occurs.

To configure a peripheral chip-select, set the appropriate bit in PQSPAR, then configure the chip-select pin as an output by setting the appropriate bit in DDRQS. The value of the bit in PORTQS that corresponds to the chip-select pin determines the base state of the chip-select signal. If base state is zero, chip-select assertion must be active high (PCS bit in command RAM must be set); if base state is one, assertion must be active low (PCS bit in command RAM must be cleared). PORTQS bits are cleared during reset. If no new data is written to PORTQS before pin assignment and configuration as an output, the base state of chip-select signals is zero and chip-select pins should thus be driven active-high.

11.4 Serial Communication Interface

The serial communication interface (SCI) communicates with external devices through an asynchronous serial bus. The SCI uses a standard non-return to zero (NRZ) transmission format. The SCI is fully compatible with other Motorola SCI systems, such as those on M68HC11 and M68HC05 devices. **Figure 11-10** is a block diagram of the SCI transmitter. **Figure 11-11** is a block diagram of the SCI receiver.

NOTE

On the MC68HC16Y3/916Y3, the SCI is not available. Instead, the multichannel communications interface (MCCI) is used to provide two channels of asynchronous communication. For more information, refer to SECTION 12 MULTICHANNEL COMMUNICATION INTERFACE.

11.4.1 SCI Registers

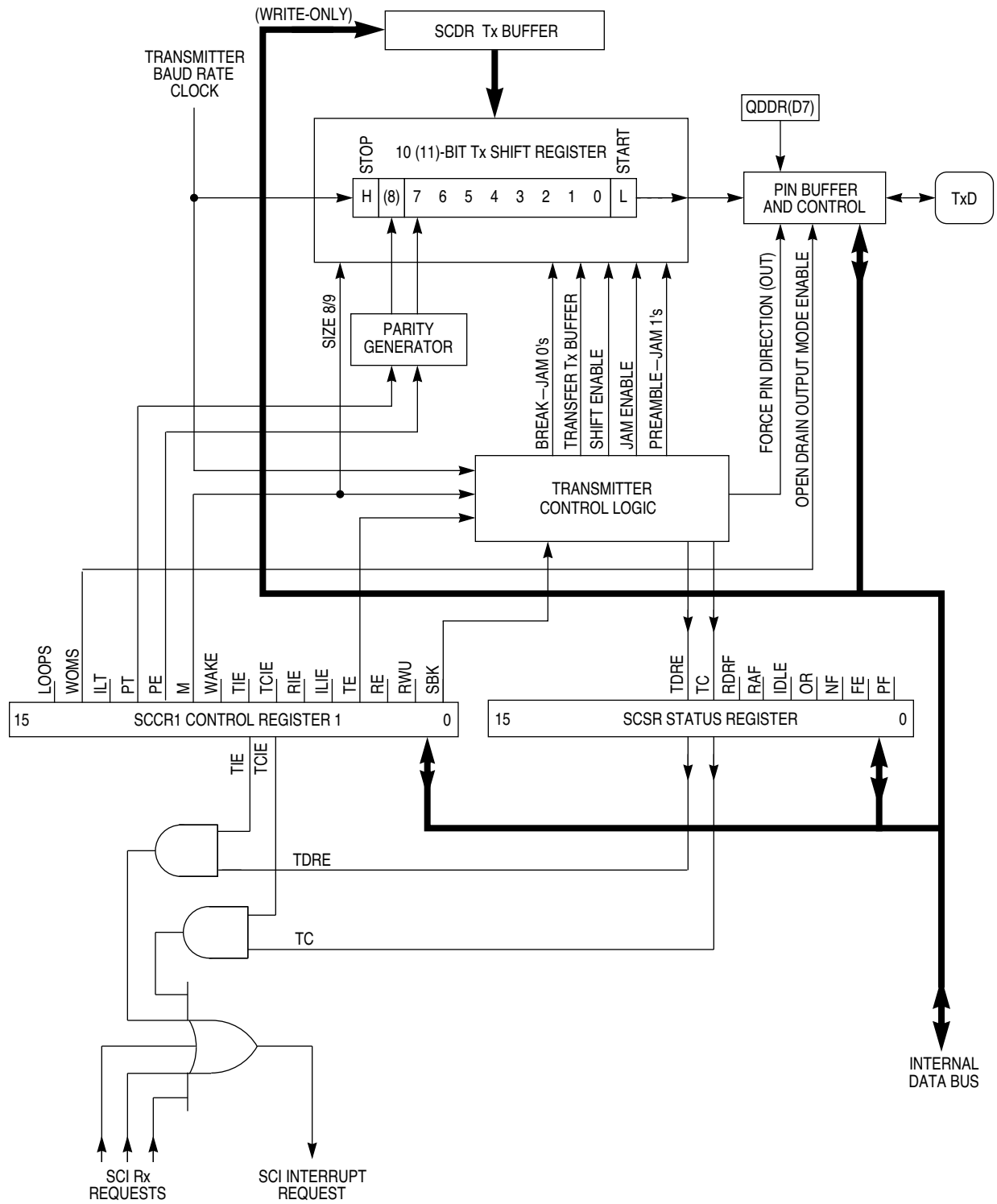
The SCI programming model includes the QSM global and pin control registers, and four SCI registers. There are two SCI control registers (SCCR0 and SCCR1), one status register (SCSR), and one data register (SCDR). Refer to D.7 Queued Serial Module for register bit and field definitions.

11.4.1.1 Control Registers

SCCR0 contains the baud rate selection field. Baud rate must be set before the SCI is enabled. This register can be read or written.

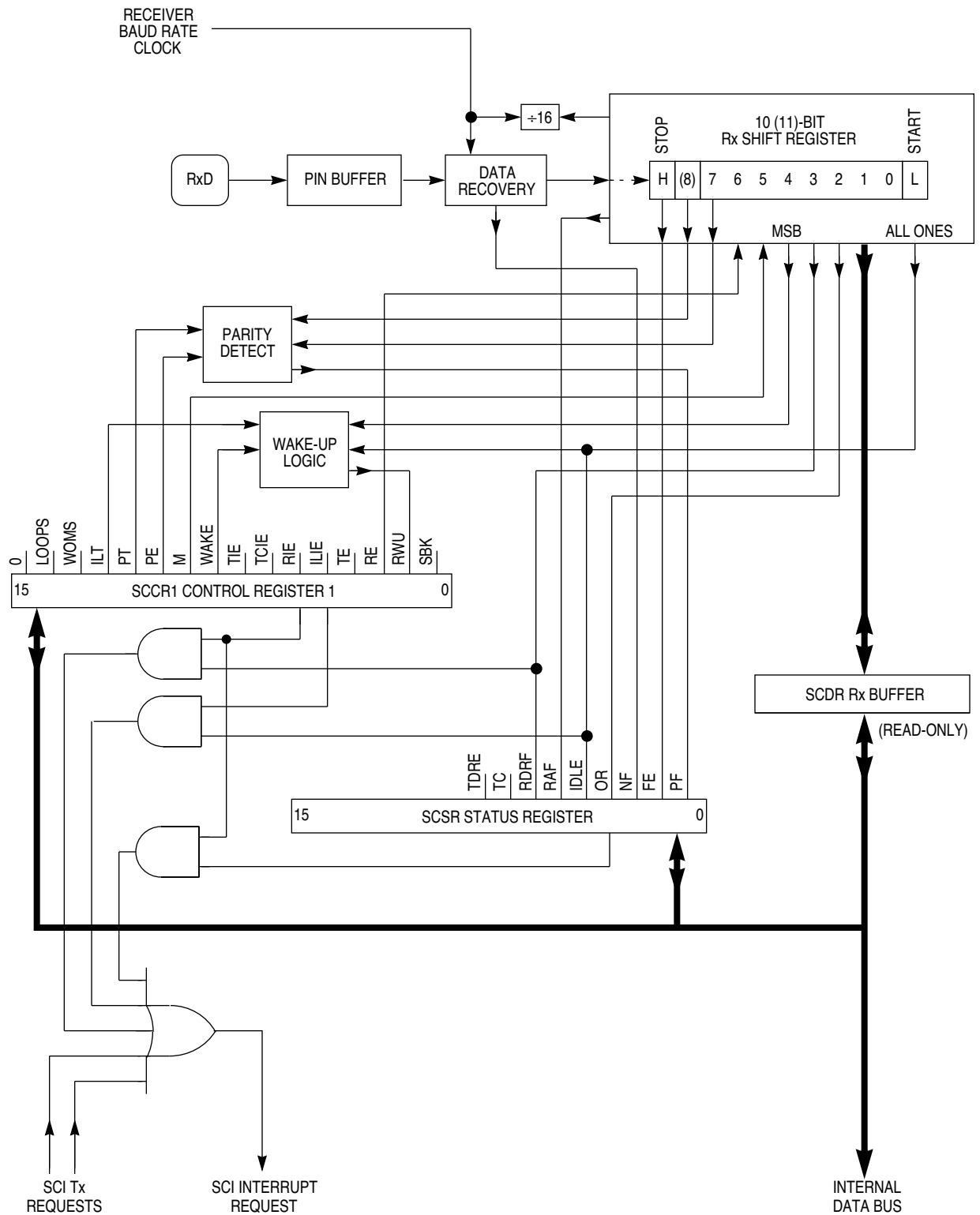
SCCR1 contains a number of SCI configuration parameters, including transmitter and receiver enable bits, interrupt enable bits, and operating mode enable bits. This register can be read or written at any time. The SCI can modify the RWU bit under certain circumstances.

Changing the value of SCI control bits during a transfer may disrupt operation. Before changing register values, allow the SCI to complete the current transfer, then disable the receiver and transmitter.



16/32 SCI TX BLOCK

Figure 11-10 SCI Transmitter Block Diagram



16/32 SCI RX BLOCK

Figure 11-11 SCI Receiver Block Diagram

11.4.1.2 Status Register

SCSR contains flags that show SCI operating conditions. These flags are cleared either by SCI hardware or by reading SCSR, then reading or writing SCDR. A long-word read can consecutively access both SCSR and SCDR. This action clears receiver status flag bits that were set at the time of the read, but does not clear TDRE or TC flags.

If an internal SCI signal for setting a status bit comes after reading the asserted status bits, but before reading or writing SCDR, the newly set status bit is not cleared. SCSR must be read again with the bit set, and SCDR must be read or written before the status bit is cleared.

Reading either byte of SCSR causes all 16 bits to be accessed, and any status bit already set in either byte is cleared on a subsequent read or write of SCDR.

11.4.1.3 Data Register

SCDR contains two data registers at the same address. The receive data register (RDR) is a read-only register that contains data received by the SCI. Data enters the receive serial shifter and is transferred to RDR. The transmit data register (TDR) is a write-only register that contains data to be transmitted. Data is first written to TDR, then transferred to the transmit serial shifter, where additional format bits are added before transmission. R[7:0]/T[7:0] contain either the first eight data bits received when SCDR is read, or the first eight data bits to be transmitted when SCDR is written. R8/T8 are used when the SCI is configured for 9-bit operation. When the SCI is configured for 8-bit operation, they have no meaning or effect.

11.4.2 SCI Pins

Two unidirectional pins, TXD (transmit data) and RXD (receive data), are associated with the SCI. TXD can be used by the SCI or for general-purpose I/O. TXD function is controlled by PQSPA7 in the port QS pin assignment register (PQSPAR) and TE in SCI control register 1 (SCCR1). The receive data (RXD) pin is dedicated to the SCI.

11.4.3 SCI Operation

The SCI can operate in polled or interrupt-driven mode. Status flags in SCSR reflect SCI conditions regardless of the operating mode chosen. The TIE, TCIE, RIE, and ILIE bits in SCCR1 enable interrupts for the conditions indicated by the TDRE, TC, RDRF, and IDLE bits in SCSR, respectively.

11.4.3.1 Definition of Terms

- Bit-Time — The time required to transmit or receive one bit of data, which is equal to one cycle of the baud frequency.
- Start Bit — One bit-time of logic zero that indicates the beginning of a data frame. A start bit must begin with a one-to-zero transition and be preceded by at least three receive time samples of logic one.
- Stop Bit— One bit-time of logic one that indicates the end of a data frame.

- Frame — A complete unit of serial information. The SCI can use 10-bit or 11-bit frames.
- Data Frame — A start bit, a specified number of data or information bits, and at least one stop bit.
- Idle Frame — A frame that consists of consecutive ones. An idle frame has no start bit.
- Break Frame — A frame that consists of consecutive zeros. A break frame has no stop bits.

11.4.3.2 Serial Formats

All data frames must have a start bit and at least one stop bit. Receiving and transmitting devices must use the same data frame format. The SCI provides hardware support for both 10-bit and 11-bit frames. The M bit in SCCR1 specifies the number of bits per frame.

The most common data frame format for NRZ serial interfaces is one start bit, eight data bits (LSB first), and one stop bit; a total of 10 bits. The most common 11-bit data frame contains one start bit, eight data bits, a parity or control bit, and one stop bit. Ten-bit and eleven-bit frames are shown in **Table 11-4**.

Table 11-4 Serial Frame Formats

| 10-Bit Frames | | | |
|---------------|------|----------------|------|
| Start | Data | Parity/Control | Stop |
| 1 | 7 | — | 2 |
| 1 | 7 | 1 | 1 |
| 1 | 8 | — | 1 |
| 11-Bit Frames | | | |
| Start | Data | Parity/Control | Stop |
| 1 | 7 | 1 | 2 |
| 1 | 8 | 1 | 1 |

11.4.3.3 Baud Clock

The SCI baud rate is programmed by writing a 13-bit value to the SCBR field in SCI control register zero (SCCR0). The baud rate is derived from the MCU system clock by a modulus counter. Writing a value of zero to SCBR[12:0] disables the baud rate generator. Baud rate is calculated as follows:

$$\text{SCI Baud Rate} = \frac{f_{\text{sys}}}{32 \times \text{SCBR}[12:0]}$$

or

$$\text{SCBR}[12:0] = \frac{f_{\text{sys}}}{32 \times \text{SCI Baud Rate Desired}}$$

where SCBR[12:0] is in the range {1, 2, 3, ..., 8191}.

The SCI receiver operates asynchronously. An internal clock is necessary to synchronize with an incoming data stream. The SCI baud rate generator produces a receive time sampling clock with a frequency 16 times that of the SCI baud rate. The SCI determines the position of bit boundaries from transitions within the received waveform, and adjusts sampling points to the proper positions within the bit period.

11.4.3.4 Parity Checking

The PT bit in SCCR1 selects either even (PT = 0) or odd (PT = 1) parity. PT affects received and transmitted data. The PE bit in SCCR1 determines whether parity checking is enabled (PE = 1) or disabled (PE = 0). When PE is set, the MSB of data in a frame is used for the parity function. For transmitted data, a parity bit is generated; for received data, the parity bit is checked. When parity checking is enabled, the PF bit in the SCI status register (SCSR) is set if a parity error is detected.

Enabling parity affects the number of data bits in a frame, which can in turn affect frame size. **Table 11-5** shows possible data and parity formats.

Table 11-5 Effect of Parity Checking on Data Size

| M | PE | Result |
|---|----|---------------------------|
| 0 | 0 | 8 data bits |
| 0 | 1 | 7 data bits, 1 parity bit |
| 1 | 0 | 9 data bits |
| 1 | 1 | 8 data bits, 1 parity bit |

11.4.3.5 Transmitter Operation

The transmitter consists of a serial shifter and a parallel data register (TDR) located in the SCI data register (SCDR). The serial shifter cannot be directly accessed by the CPU16. The transmitter is double-buffered, which means that data can be loaded into TDR while other data is shifted out. The TE bit in SCCR1 enables (TE = 1) and disables (TE = 0) the transmitter.

The shifter output is connected to the TXD pin while the transmitter is operating (TE = 1, or TE = 0 and transmission in progress). Wired-OR operation should be specified when more than one transmitter is used on the same SCI bus. The WOMS bit in SCCR1 determines whether TXD is an open-drain (wired-OR) output or a normal CMOS output. An external pull-up resistor on TXD is necessary for wired-OR operation. WOMS controls TXD function whether the pin is used by the SCI or as a general-purpose I/O pin.

Freescale Semiconductor, Inc.

Data to be transmitted is written to SCDR, then transferred to the serial shifter. The transmit data register empty (TDRE) flag in SCSR shows the status of TDR. When TDRE = 0, TDR contains data that has not been transferred to the shifter. Writing to SCDR again overwrites the data. TDRE is set when the data in TDR is transferred to the shifter. Before new data can be written to SCDR, however, the processor must clear TDRE by writing to SCSR. If new data is written to SCDR without first clearing TDRE, the data will not be transmitted.

The transmission complete (TC) flag in SCSR shows transmitter shifter state. When TC = 0, the shifter is busy. TC is set when all shifting operations are completed. TC is not automatically cleared. The processor must clear it by first reading SCSR while TC is set, then writing new data to SCDR.

The state of the serial shifter is checked when the TE bit is set. If TC = 1, an idle frame is transmitted as a preamble to the following data frame. If TC = 0, the current operation continues until the final bit in the frame is sent, then the preamble is transmitted. The TC bit is set at the end of preamble transmission.

The SBK bit in SCCR1 is used to insert break frames in a transmission. A non-zero integer number of break frames is transmitted while SBK is set. Break transmission begins when SBK is set, and ends with the transmission in progress at the time either SBK or TE is cleared. If SBK is set while a transmission is in progress, that transmission finishes normally before the break begins. To assure the minimum break time, toggle SBK quickly to one and back to zero. The TC bit is set at the end of break transmission. After break transmission, at least one bit-time of logic level one (mark idle) is transmitted to ensure that a subsequent start bit can be detected.

If TE remains set, after all pending idle, data and break frames are shifted out, TDRE and TC are set and TXD is held at logic level one (mark).

When TE is cleared, the transmitter is disabled after all pending idle data, and break frames are transmitted. The TC flag is set, and control of the TXD pin reverts to PQSPAR and DDRQS. Buffered data is not transmitted after TE is cleared. To avoid losing data in the buffer, do not clear TE until TDRE is set.

Some serial communication systems require a mark on the TXD pin even when the transmitter is disabled. Configure the TXD pin as an output, then write a one to PQS7. When the transmitter releases control of the TXD pin, it will revert to driving a logic one output.

To insert a delimiter between two messages, to place non-listening receivers in wake-up mode between transmissions, or to signal a retransmission by forcing an idle line, clear and then set TE before data in the serial shifter has shifted out. The transmitter finishes the transmission, then sends a preamble. After the preamble is transmitted, if TDRE is set, the transmitter will mark idle. Otherwise, normal transmission of the next sequence will begin.

Both TDRE and TC have associated interrupts. The interrupts are enabled by the transmit interrupt enable (TIE) and transmission complete interrupt enable (TCIE) bits in SCCR1. Service routines can load the last byte of data in a sequence into SCDR, then terminate the transmission when a TDRE interrupt occurs.

11.4.3.6 Receiver Operation

The RE bit in SCCR1 enables (RE = 1) and disables (RE = 0) the receiver. The receiver contains a receive serial shifter and a parallel receive data register (RDR) located in the SCI data register (SCDR). The serial shifter cannot be directly accessed by the CPU16. The receiver is double-buffered, allowing data to be held in RDR while other data is shifted in.

Receiver bit processor logic drives a state machine that determines the logic level for each bit-time. This state machine controls when the bit processor logic is to sample the RXD pin and also controls when data is to be passed to the receive serial shifter. A receive time clock is used to control sampling and synchronization. Data is shifted into the receive serial shifter according to the most recent synchronization of the receive time clock with the incoming data stream. From this point on, data movement is synchronized with the MCU system clock. Operation of the receiver state machine is detailed in the *QSM Reference Manual (QSMRM/AD)*.

The number of bits shifted in by the receiver depends on the serial format. However, all frames must end with at least one stop bit. When the stop bit is received, the frame is considered to be complete, and the received data in the serial shifter is transferred to RDR. The receiver data register flag (RDRF) is set when the data is transferred.

Noise errors, parity errors, and framing errors can be detected while a data stream is being received. Although error conditions are detected as bits are received, the noise flag (NF), the parity flag (PF), and the framing error (FE) flag in SCSR are not set until data is transferred from the serial shifter to RDR.

RDRF must be cleared before the next transfer from the shifter can take place. If RDRF is set when the shifter is full, transfers are inhibited and the overrun error (OR) flag in SCSR is set. OR indicates that RDR needs to be serviced faster. When OR is set, the data in RDR is preserved, but the data in the serial shifter is lost. Because framing, noise, and parity errors are detected while data is in the serial shifter, FE, NF, and PF cannot occur at the same time as OR.

When the CPU16 reads SCSR and SCDR in sequence, it acquires status and data, and also clears the status flags. Reading SCSR acquires status and arms the clearing mechanism. Reading SCDR acquires data and clears SCSR.

When RIE in SCCR1 is set, an interrupt request is generated whenever RDRF is set. Because receiver status flags are set at the same time as RDRF, they do not have separate interrupt enables.

11.4.3.7 Idle-Line Detection

During a typical serial transmission, frames are transmitted isochronally and no idle time occurs between frames. Even when all the data bits in a frame are logic ones, the start bit provides one logic zero bit-time during the frame. An idle line is a sequence of contiguous ones equal to the current frame size. Frame size is determined by the state of the M bit in SCCR1.

The SCI receiver has both short and long idle-line detection capability. Idle-line detection is always enabled. The idle line type (ILT) bit in SCCR1 determines which type of detection is used. When an idle line condition is detected, the IDLE flag in SCSR is set.

For short idle-line detection, the receiver bit processor counts contiguous logic one bit-times whenever they occur. Short detection provides the earliest possible recognition of an idle line condition, because the stop bit and contiguous logic ones before and after it are counted. For long idle-line detection, the receiver counts logic ones after the stop bit is received. Only a complete idle frame causes the IDLE flag to be set.

In some applications, software overhead can cause a bit-time of logic level one to occur between frames. This bit-time does not affect content, but if it occurs after a frame of ones when short detection is enabled, the receiver flags an idle line.

When the ILIE bit in SCCR1 is set, an interrupt request is generated when the IDLE flag is set. The flag is cleared by reading SCSR and SCDR in sequence. IDLE is not set again until after at least one frame has been received (RDRF = 1). This prevents an extended idle interval from causing more than one interrupt.

11.4.3.8 Receiver Wake-up

The receiver wake-up function allows a transmitting device to direct a transmission to a single receiver or to a group of receivers by sending an address frame at the start of a message. Hardware activates each receiver in a system under certain conditions. Resident software must process address information and enable or disable receiver operation.

A receiver is placed in wake-up mode by setting the RWU bit in SCCR1. While RWU is set, receiver status flags and interrupts are disabled. Although the CPU16 can clear RWU, it is normally cleared by hardware during wake-up.

The WAKE bit in SCCR1 determines which type of wake-up is used. When WAKE = 0, idle-line wake-up is selected. When WAKE = 1, address-mark wake-up is selected. Both types require a software-based device addressing and recognition scheme.

Idle-line wake-up allows a receiver to sleep until an idle line is detected. When an idle-line is detected, the receiver clears RWU and wakes up. The receiver waits for the first frame of the next transmission. The byte is received normally, transferred to RDR, and the RDRF flag is set. If software does not recognize the address, it can set RWU and put the receiver back to sleep. For idle-line wake-up to work, there must be a minimum of one frame of idle line between transmissions. There must be no idle time between frames within a transmission.

Freescale Semiconductor, Inc.

Address-mark wake-up uses a special frame format to wake up the receiver. When the MSB of an address-mark frame is set, that frame contains address information. The first frame of each transmission must be an address frame. When the MSB of a frame is set, the receiver clears RWU and wakes up. The byte is received normally, transferred to the RDR, and the RDRF flag is set. If software does not recognize the address, it can set RWU and put the receiver back to sleep. Address-mark wake-up allows idle time between frames and eliminates idle time between transmissions. However, there is a loss of efficiency because of an additional bit-time per frame.

11.4.3.9 Internal Loop Mode

The LOOPS bit in SCCR1 controls a feedback path in the data serial shifter. When LOOPS is set, the SCI transmitter output is fed back into the receive serial shifter. TXD is asserted (idle line). Both transmitter and receiver must be enabled before entering loop mode.

SECTION 12 MULTICHANNEL COMMUNICATION INTERFACE

This section is an overview of the multichannel communication interface (MCCI) module. Refer to the *MCCI Reference Manual* (MCCIRM/AD) for more information on MCCI capabilities. Refer to APPENDIX A ELECTRICAL CHARACTERISTICS for MCCI timing and electrical specifications. Refer to D.8 Multichannel Communication Interface Module (MCCI) for register address mapping and bit/field definitions.

12.1 General

The MCCI contains three serial interfaces: a serial peripheral interface (SPI) and two serial communication interfaces (SCI). On the MC68HC16Y3/916Y3, only the two SCI subsystems are used; the SPI is not available. Instead, the QSPI from the queued serial module (QSM) is used. Refer to SECTION 11 QUEUED SERIAL MODULE for more information.

Figure 12-1 is a block diagram of the MCCI.

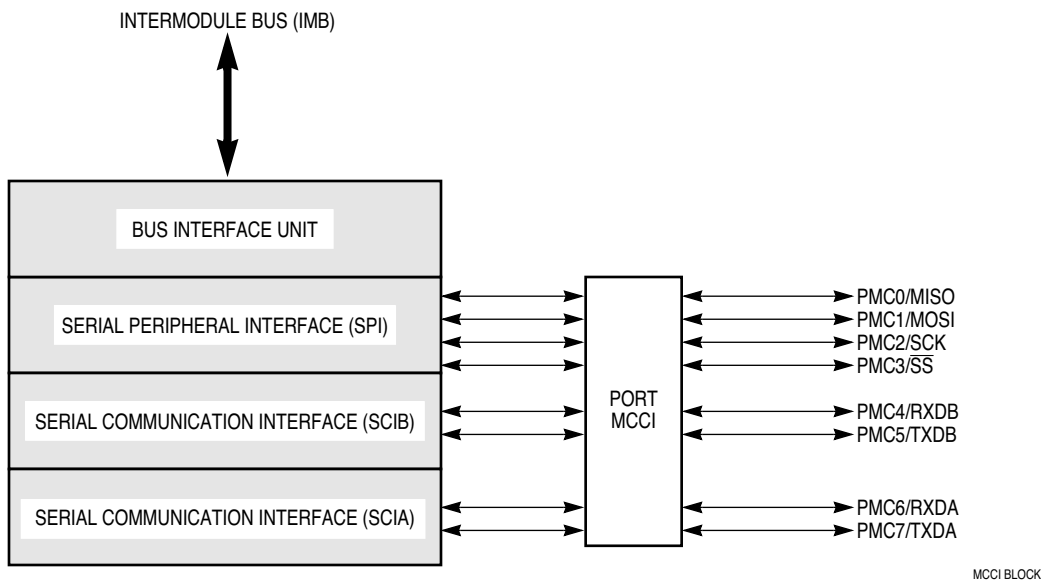


Figure 12-1 MCCI Block Diagram

The SPI provides easy peripheral expansion or interprocessor communication via a full-duplex, synchronous, three-line bus: data in, data out, and a serial clock. Serial transfer of 8 or 16 bits can begin with the most significant bit (MSB) or least significant bit (LSB). The MCCI module can be configured as a master or slave device. Clock control logic allows a selection of clock polarity and a choice of two clocking protocols to accommodate most available synchronous serial peripheral devices. When the SPI is configured as a master, software selects one of 254 different bit rates for the serial clock.

The SCI is a universal asynchronous receiver transmitter (UART) serial interface with a standard non-return to zero (NRZ) mark/space format. It operates in either full- or half-duplex mode: it contains separate transmitter- and receiver-enable bits and a double transmit buffer. A modulus-type baud rate generator provides rates from 64 baud to 524 kbaud with a 16.78-MHz system clock. Word length of either 8 or 9 bits is software selectable. Optional parity generation and detection provide either even or odd parity check capability. Advanced error detection circuitry catches glitches of up to 1/16 of a bit time in duration. Wakeup functions allow the CPU to run uninterrupted until meaningful data is received.

12.2 MCCI Registers and Address Map

The MCCI address map occupies 64 bytes from address \$YFFC00 to \$YFFC3F. It consists of MCCI global registers and SPI and SCI control, status, and data registers. Writes to unimplemented register bits have no effect, and reads of unimplemented bits always return zero.

The MM bit in the single-chip integration module 2 configuration register (SCIM2CR) defines the most significant bit (ADDR23) of the IMB address for each module. Because ADDR[23:20] are driven to the same bit as ADDR19, MM must be set to one. If MM is cleared, IMB modules are inaccessible. Refer to 5.2.1 Module Mapping for more information about how the state of MM affects the system.

12.2.1 MCCI Global Registers

The MCCI module configuration register (MMCR) contains bits and fields to place the MCCI in low-power operation, establish the privilege level required to access MCCI registers, and establish the priority of the MCCI during interrupt arbitration. The MCCI test register (MTEST) is used only during factory test of the MCCI. The SCI interrupt level register (ILSCI) determines the level of interrupts requested by each SCI. Separate fields hold the interrupt-request levels for SCIA and SCIB. The MCCI interrupt vector register (MIVR) determines which three vectors in the exception vector table are to be used for MCCI interrupts. The SPI and both SCI interfaces have separate interrupt vectors adjacent to one another. The SPI interrupt level register (ILSPI) determines the priority level of interrupts requested by the SPI. The MCCI port data registers (PORTMC, PORTMCP) are used to configure port MCCI for general-purpose I/O. The MCCI pin assignment register (MPAR) determines which of the SPI pins (with the exception of SCK) are used by the SPI, and which pins are available for general-purpose I/O. The MCCI data direction register (DDRM) configures each pins as an input or output.

12.2.1.1 Low-Power Stop Mode

When the STOP bit in the MMCR is set, the IMB clock signal to most of the MCCI module is disabled. This places the module in an idle state and minimizes power consumption.

To ensure that the MCCI stops in a known state, assert the STOP bit before executing the CPU LPSTOP instruction. Before asserting the STOP bit, disable the SPI (clear

Freescale Semiconductor, Inc.

the SPE bit) and disable the SCI receivers and transmitters (clear the RE and TE bits). Complete transfers in progress before disabling the SPI and SCI interfaces.

Once the STOP bit is asserted, it can be cleared by system software or by reset.

12.2.1.2 Privilege Levels

The supervisor bit (SUPV) in the MMCR has no effect since the CPU16 operates only in the supervisor mode.

12.2.1.3 MCCI Interrupts

The interrupt request level of each of the three MCCI interfaces can be programmed to a value of 0 (interrupts disabled) through 7 (highest priority). These levels are selected by the ILSCIA and ILSCIB fields in the SCI interrupt level register (ILSCI) and the ILSPI field in the SPI interrupt level register (ILSPI). In case two or more MCCI submodules request an interrupt simultaneously and are assigned the same interrupt request level, the SPI submodule is given the highest priority and SCIB is given the lowest.

When an interrupt is requested which is at a higher level than the interrupt mask in the CPU16 status register, the CPU16 initiates an interrupt acknowledge cycle. During this cycle, the MCCI compares its interrupt request level to the level recognized by the CPU16. If a match occurs, arbitration with other modules begins.

Interrupting modules present their arbitration number on the IMB, and the module with the highest number wins. The arbitration number for the MCCI is programmed into the interrupt arbitration (IARB) field of the MMCR. Each module should be assigned a unique arbitration number. The reset value of the IARB field is \$0, which prevents the MCCI from arbitrating during an interrupt acknowledge cycle. The IARB field should be initialized by system software to a value from \$F (highest priority) through \$1 (lowest priority). Otherwise, the CPU identifies any interrupts generated as spurious and takes a spurious-interrupt exception.

If the MCCI wins the arbitration, it generates an interrupt vector that uniquely identifies the interrupting serial interface. The six MSBs are read from the interrupt vector (INTV) field in the MCCI interrupt vector register (MIVR). The two LSBs are assigned by the MCCI according to the interrupting serial interface, as indicated in **Table 12-1**.

Table 12-1 MCCI Interrupt Vectors

| Interface | INTV[1:0] |
|-----------|-----------|
| SCIA | 00 |
| SCIB | 01 |
| SPI | 10 |

Select a value for INTV so that each MCCI interrupt vector corresponds to one of the user-defined vectors (\$40–\$FF). Refer to the *CPU16 Reference Manual (CPU16RM/AD)* for additional information on interrupt vectors.

12.2.2 Pin Control and General-Purpose I/O

The eight pins used by the SPI and SCI subsystems have alternate functions as general-purpose I/O pins. Configuring the MCCI submodule includes programming each pin for either general-purpose I/O or its serial interface function. In either function, each pin must also be programmed as input or output.

The MCCI data direction register (MDDR) assigns each MCCI pin as either input or output. The MCCI pin assignment register (MPAR) assigns the MOSI, MISO, and \overline{SS} pins as either SPI pins or general-purpose I/O. (The fourth pin, SCK, is automatically assigned to the SPI whenever the SPI is enabled, for example, when the SPE bit in the SPI control register is set.) The receiver enable (RE) and transmitter enable (TE) bits in the SCI control registers (SCCR0A, SCCR0B) automatically assign the associated pin as an SCI pin when set or general-purpose I/O when cleared. **Table 12-2** summarizes how pin function and direction are assigned.

Table 12-2 Pin Assignments

| Pin | Function Assigned By | Direction Assigned By |
|-----------------------|-----------------------------|-----------------------|
| TXDA/PMC7 | TE bit in SCCR0A | MMDR7 |
| RXDA/PMC6 | RE bit in SCCR0A | MMDR6 |
| TXDB/PMC5 | TE bit in SCCR0B | MMDR5 |
| RXDB/PMC4 | RE bit in SCCR0B | MMDR4 |
| \overline{SS} /PMC3 | \overline{SS} bit in MPAR | MMDR3 |
| SCK/PMC2 | SPE bit in SPCR | MMDR2 |
| MOSI/PMC1 | MOSI bit in MPAR | MMDR1 |
| MISO/PMC0 | MISO bit in MPAR | MMDR0 |

12.3 Serial Peripheral Interface (SPI)

The SPI submodule communicates with external peripherals and other MCUs via a synchronous serial bus. The SPI is fully compatible with the serial peripheral interface systems found on other Motorola devices such as the M68HC11 and M68HC05 families. The SPI can perform full duplex three-wire or half duplex two-wire transfers. Serial transfer of 8 or 16 bits can begin with the MSB or LSB. The system can be configured as a master or slave device.

NOTE

On the MC68HC16Y3/916Y3, the SPI is not available. Instead, the QSPI from the QSM is used. Refer to SECTION 11 QUEUED SERIAL MODULE for more information.

Figure 12-2 shows a block diagram of the SPI.

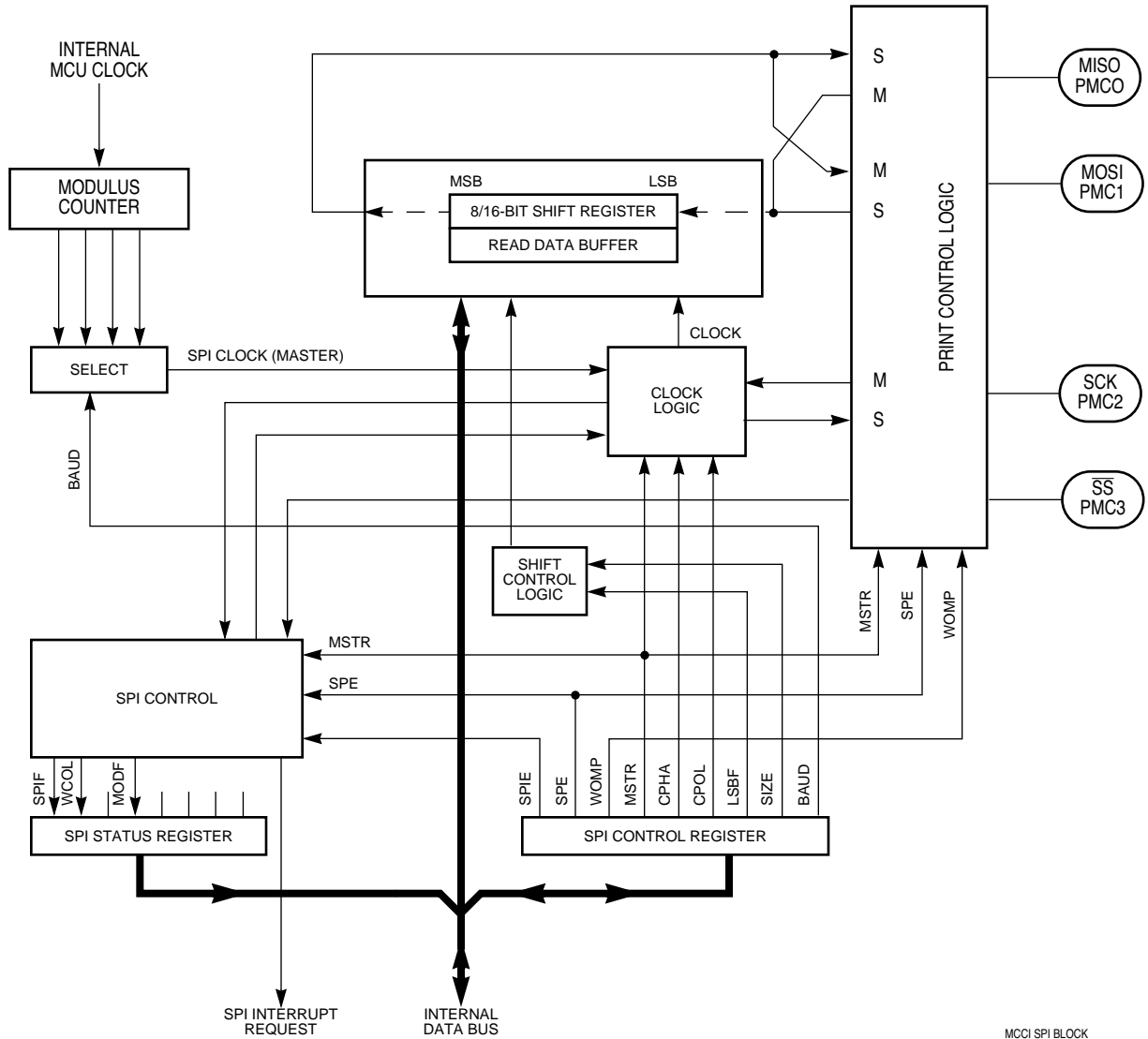


Figure 12-2 SPI Block Diagram

Clock control logic allows a selection of clock polarity and a choice of two clocking protocols to accommodate most available synchronous serial peripheral devices. When the SPI is configured as a master, software selects one of 254 different bit rates for the serial clock.

During an SPI transfer, data is simultaneously transmitted (shifted out serially) and received (shifted in serially). A serial clock line synchronizes shifting and sampling of the information on the two serial data lines. A slave-select line allows individual selection of a slave SPI device. Slave devices which are not selected do not interfere with SPI bus activities. On a master SPI device the slave-select line can optionally be used to indicate a multiple-master bus contention.

Error-detection logic is included to support interprocessor interfacing. A write-collision detector indicates when an attempt is made to write data to the serial shift register while a transfer is in progress. A multiple-master mode-fault detector automatically disables SPI output drivers if more than one MCU simultaneously attempts to become bus master.

12.3.1 SPI Registers

SPI control registers include the SPI control register (SPCR), the SPI status register (SPSR), and the SPI data register (SPDR). Refer to D.8.13 SPI Control Register, D.8.14 SPI Status Register, and D.8.15 SPI Data Register for register bit and field definitions.

12.3.1.1 SPI Control Register (SPCR)

The SPCR contains parameters for configuring the SPI. The register can be read or written at any time.

12.3.1.2 SPI Status Register (SPSR)

The SPSR contains SPI status information. Only the SPI can set the bits in this register. The CPU reads the register to obtain status information.

12.3.1.3 SPI Data Register (SPDR)

The SPDR is used to transmit and receive data on the serial bus. A write to this register in the master device initiates transmission or reception of another byte or word. After a byte or word of data is transmitted, the SPIF status bit is set in both the master and slave devices.

A read of the SPDR actually reads a buffer. If the first SPIF is not cleared by the time a second transfer of data from the shift register to the read buffer is initiated, an overrun condition occurs. In cases of overrun the byte or word causing the overrun is lost.

A write to the SPDR is not buffered and places data directly into the shift register for transmission.

12.3.2 SPI Pins

Four bi-directional pins are associated with the SPI. The MPAR configures each pin for either SPI function or general-purpose I/O. The MDDR assigns each pin as either input or output. The WOMP bit in the SPI control register (SPCR) determines whether each SPI pin that is configured for output functions as an open-drain output or a normal CMOS output. The MDDR and WOMP assignments are valid regardless of whether the pins are configured for SPI use or general-purpose I/O.

The operation of pins configured for SCI use depends on whether the SCI is operating as a master or a slave, determined by the MSTR bit in the SPCR.

Table 12-3 shows SPI pins and their functions.

Table 12-3 SPI Pin Functions

| Pin Name | Mode | Function |
|----------------------------------|--------|---|
| Master in, slave out (MISO) | Master | Provides serial data input to the SPI |
| | Slave | Provides serial data output from the SPI |
| Master out, slave in (MOSI) | Master | Provides serial output from the SPI |
| | Slave | Provides serial input to the SPI |
| Serial clock (SCK) | Master | Provides clock output from the SPI |
| | Slave | Provides clock input to the SPI |
| Slave select (\overline{SS}) | Master | Detects bus-master mode fault |
| | Slave | Selects the SPI for an externally-initiated serial transfer |

12.3.3 SPI Operating Modes

The SPI operates in either master or slave mode. Master mode is used when the MCU originates data transfers. Slave mode is used when an external device initiates serial transfers to the MCU. The MSTR bit in SPCR selects master or slave operation.

12.3.3.1 Master Mode

Setting the MSTR bit in SPCR selects master mode operation. In master mode, the SPI can initiate serial transfers but cannot respond to externally initiated transfers. When the slave-select input of a device configured for master mode is asserted, a mode fault occurs.

When using the SPI in master mode, include the following steps:

1. Write to the MMCR, MIVR, and ILSPI. Refer to 12.5 MCCI Initialization for more information.
2. Write to the MPAR to assign the following pins to the SPI: MISO, MOSI, and (optionally) \overline{SS} . MISO is used for serial data input in master mode, and MOSI is used for serial data output. Either or both may be necessary, depending on the particular application. \overline{SS} is used to generate a mode fault in master mode. If this SPI is the only possible master in the system, the \overline{SS} pin may be used for general-purpose I/O.

3. Write to the MDDR to direct the data flow on SPI pins. Configure the SCK (serial clock) and MOSI pins as outputs. Configure MISO and (optionally) \overline{SS} as inputs.
4. Write to the SPCR to assign values for BAUD, CPHA, CPOL, SIZE, LSBF, WOMP, and SPIE. Set the MSTR bit to select master operation. Set the SPE bit to enable the SPI.
5. Enable the slave device.
6. Write appropriate data to the SPI data register to initiate the transfer.

When the SPI reaches the end of the transmission, it sets the SPIF flag in the SPSR. If the SPIE bit in the SPCR is set, an interrupt request is generated when SPIF is asserted. After the SPSR is read with SPIF set, and then the SPDR is read or written to, the SPIF flag is automatically cleared.

Data transfer is synchronized with the internally-generated serial clock (SCK). Control bits CPHA and CPOL in SPCR control clock phase and polarity. Combinations of CPHA and CPOL determine the SCK edge on which the master MCU drives outgoing data from the MOSI pin and latches incoming data from the MISO pin.

12.3.3.2 Slave Mode

Clearing the MSTR bit in SPCR selects slave mode operation. In slave mode, the SPI is unable to initiate serial transfers. Transfers are initiated by an external bus master. Slave mode is typically used on a multimaster SPI bus. Only one device can be bus master (operate in master mode) at any given time.

When using the SPI in slave mode, include the following steps:

1. Write to the MMCR and interrupt registers. Refer to 12.5 MCCI Initialization for more information.
2. Write to the MPAR to assign the following pins to the SPI: MISO, MOSI, and \overline{SS} . MISO is used for serial data output in slave mode, and MOSI is used for serial data input. Either or both may be necessary, depending on the particular application. SCK is the input serial clock. \overline{SS} selects the SPI when asserted.
3. Write to the MDDR to direct the data flow on SPI pins. Configure the SCK, MOSI, and \overline{SS} pins as inputs. Configure MISO as an output.
4. Write to the SPCR to assign values for CPHA, CPOL, SIZE, LSBF, WOMP, and SPIE. Set the MSTR bit to select master operation. Set the SPE bit to enable the SPI. (The BAUD field in the SPCR of the slave device has no effect on SPI operation.)

When SPE is set and MSTR is clear, a low state on the \overline{SS} pin initiates slave mode operation. The \overline{SS} pin is used only as an input.

After a byte or word of data is transmitted, the SPI sets the SPIF flag. If the SPIE bit in SPCR is set, an interrupt request is generated when SPIF is asserted.

Transfer is synchronized with the externally generated SCK. The CPHA and CPOL bits determine the SCK edge on which the slave MCU latches incoming data from the MOSI pin and drives outgoing data from the MISO pin.

12.3.4 SPI Clock Phase and Polarity Controls

Two bits in the SPCR determine SCK phase and polarity. The clock polarity (CPOL) bit selects clock polarity (high true or low true clock). The clock phase control bit (CPHA) selects one of two transfer formats and affects the timing of the transfer. The clock phase and polarity should be the same for the master and slave devices. In some cases, the phase and polarity may be changed between transfers to allow a master device to communicate with slave devices with different requirements. The flexibility of the SPI system allows it to be directly interfaced to almost any existing synchronous serial peripheral.

12.3.4.1 CPHA = 0 Transfer Format

Figure 12-3 is a timing diagram of an eight-bit, MSB-first SPI transfer in which CPHA equals zero. Two waveforms are shown for SCK: one for CPOL equal to zero and another for CPOL equal to one. The diagram may be interpreted as a master or slave timing diagram since the SCK, MISO and MOSI pins are directly connected between the master and the slave. The MISO signal shown is the output from the slave and the MOSI signal shown is the output from the master. The \overline{SS} line is the chip-select input to the slave.

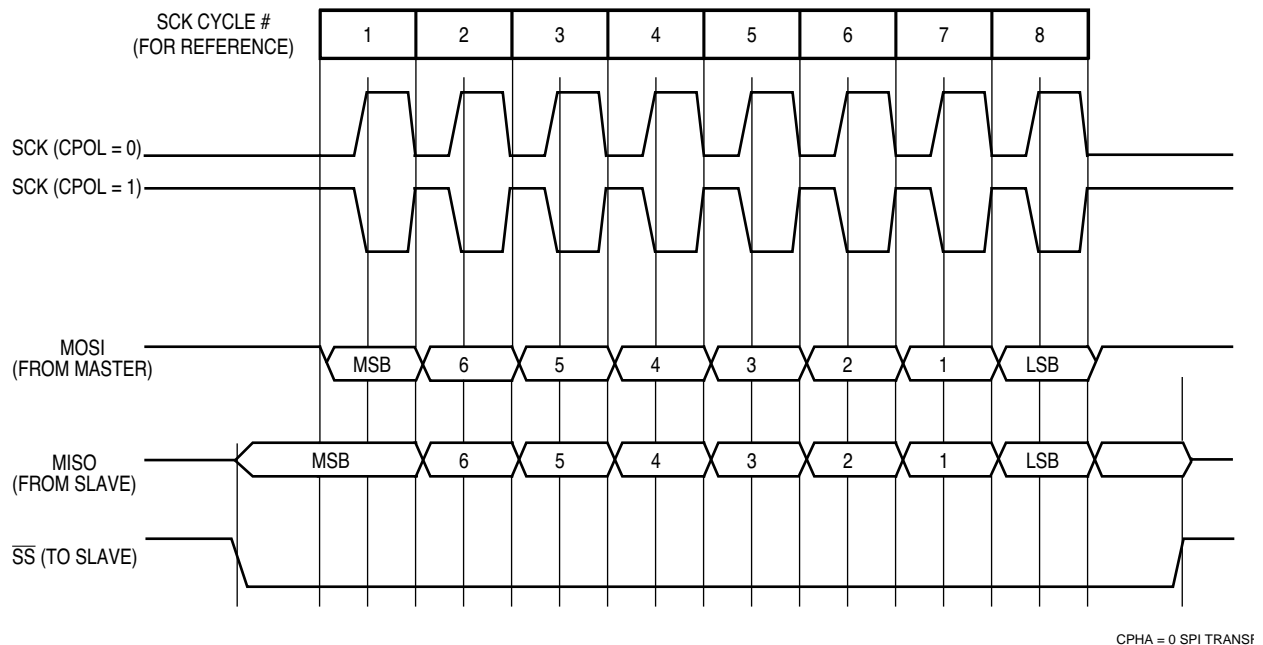


Figure 12-3 CPHA = 0 SPI Transfer Format

For a master, writing to the SPDR initiates the transfer. For a slave, the falling edge of \overline{SS} indicates the start of a transfer. The SCK signal remains inactive for the first half of the first SCK cycle. Data is latched on the first and each succeeding odd clock edge, and the SPI shift register is left-shifted on the second and succeeding even clock edges. SPIF is set at the end of the eighth SCK cycle.

When CPHA equals zero, the \overline{SS} line must be negated and reasserted between each successive serial byte. If the slave writes data to the SPI data register while \overline{SS} is asserted (low), a write collision error results. To avoid this problem, the slave should read bit three of PORTMCP, which indicates the state of the \overline{SS} pin, before writing to the SPDR again.

12.3.4.2 CPHA = 1 Transfer Format

Figure 12-4 is a timing diagram of an eight-bit, MSB-first SPI transfer in which CPHA equals one. Two waveforms are shown for SCK, one for CPOL equal to zero and another for CPOL equal to one. The diagram may be interpreted as a master or slave timing diagram since the SCK, MISO and MOSI pins are directly connected between the master and the slave. The MISO signal shown is the output from the slave and the MOSI signal shown is the output from the master. The \overline{SS} line is the slave select input to the slave.

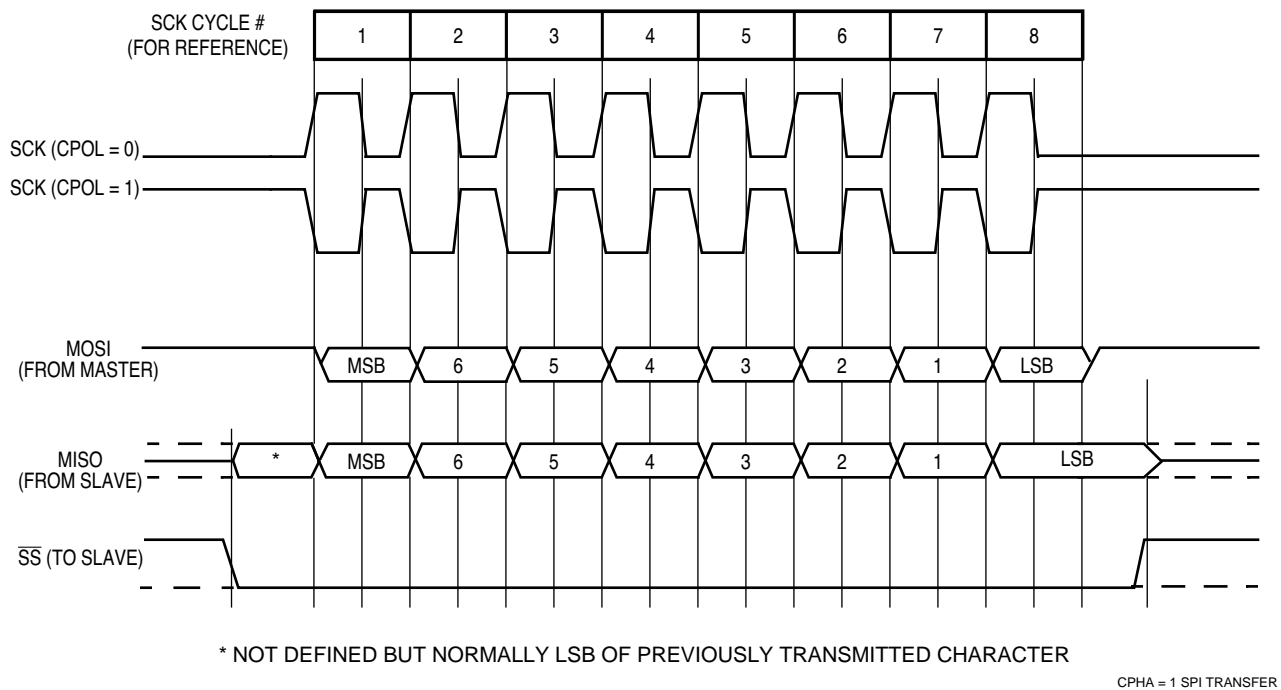


Figure 12-4 CPHA = 1 SPI Transfer Format

For a master, writing to the SPDR initiates the transfer. For a slave, the first edge of SCK indicates the start of a transfer. The SPI is left-shifted on the first and each succeeding odd clock edge, and data is latched on the second and succeeding even clock edges.

SCK is inactive for the last half of the eighth SCK cycle. For a master, SPIF is set at the end of the eighth SCK cycle (after the seventeenth SCK edge). Since the last SCK edge occurs in the middle of the eighth SCK cycle, however, the slave has no way of knowing when the end of the last SCK cycle occurs. The slave therefore considers the transfer complete after the last bit of serial data has been sampled, which corresponds to the middle of the eighth SCK cycle.

When CPHA is one, the \overline{SS} line may remain at its active low level between transfers. This format is sometimes preferred in systems having a single fixed master and only one slave that needs to drive the MISO data line.

12.3.5 SPI Serial Clock Baud Rate

Baud rate is selected by writing a value from 2 to 255 into SPBR[7:0] in the SPCR of the master MCU. Writing a SPBR[7:0] value into the SPCR of the slave device has no effect. The SPI uses a modulus counter to derive SCK baud rate from the MCU system clock.

The following expressions apply to SCK baud rate:

$$\text{SCK Baud Rate} = \frac{f_{\text{sys}}}{2 \times \text{SPBR}[7:0]}$$

or

$$\text{SPBR}[7:0] = \frac{f_{\text{sys}}}{2 \times \text{SCK Baud Rate Desired}}$$

Giving SPBR[7:0] a value of zero or one disables the baud rate generator. SCK is disabled and assumes its inactive state value.

SPBR[7:0] has 254 active values. **Table 12-4** lists several possible baud values and the corresponding SCK frequency based on a 16.78-MHz system clock.

Table 12-4 SCK Frequencies

| System Clock Frequency | Required Division Ratio | Value of SPBR | Actual SCK Frequency |
|------------------------|-------------------------|---------------|----------------------|
| 16.78 MHz | 4 | 2 | 4.19 MHz |
| | 8 | 4 | 2.10 MHz |
| | 16 | 8 | 1.05 MHz |
| | 34 | 17 | 493 kHz |
| | 168 | 84 | 100 kHz |
| | 510 | 255 | 33 kHz |

12.3.6 Wired-OR Open-Drain Outputs

Typically, SPI bus outputs are not open-drain unless multiple SPI masters are in the system. If needed, the WOMP bit in SPCR can be set to provide wired-OR, open-drain outputs. An external pull-up resistor should be used on each output line. WOMP affects all SPI pins regardless of whether they are assigned to the SPI or used as general-purpose I/O.

12.3.7 Transfer Size and Direction

The SIZE bit in the SPCR selects a transfer size of 8 (SIZE = 0) or 16 (SIZE = 1) bits. The LSBF bit in the SPCR determines whether serial shifting to and from the data register begins with the LSB (LSBF = 1) or MSB (LSBF = 0).

12.3.8 Write Collision

A write collision occurs if an attempt is made to write the SPDR while a transfer is in progress. Since the SPDR is not double buffered in the transmit direction, a successful write to SPDR would cause data to be written directly into the SPI shift register. Because this would corrupt any transfer in progress, a write collision error is generated instead. The transfer continues undisturbed, the data that caused the error is not written to the shifter, and the WCOL bit in SPSR is set. No SPI interrupt is generated.

A write collision is normally a slave error because a slave has no control over when a master initiates a transfer. Since a master is in control of the transfer, software can avoid a write collision error generated by the master. The SPI logic can, however, detect a write collision in a master as well as in a slave.

What constitutes a transfer in progress depends on the SPI configuration. For a master, a transfer starts when data is written to the SPDR and ends when SPIF is set. For a slave, the beginning and ending points of a transfer depend on the value of CPHA. When CPHA = 0, the transfer begins when \overline{SS} is asserted and ends when it is negated. When CPHA = 1, a transfer begins at the edge of the first SCK cycle and ends when SPIF is set. Refer to 12.3.4 SPI Clock Phase and Polarity Controls for more information on transfer periods and on avoiding write collision errors.

When a write collision occurs, the WCOL bit in the SPSR is set. To clear WCOL, read the SPSR while WCOL is set, and then either read the SPDR (either before or after SPIF is set) or write the SPDR after SPIF is set. (Writing the SPDR before SPIF is set results in a second write collision error.) This process clears SPIF as well as WCOL.

12.3.9 Mode Fault

When the SPI system is configured as a master and the \overline{SS} input line is asserted, a mode fault error occurs, and the MODF bit in the SPSR is set. Only an SPI master can experience a mode fault error, caused when a second SPI device becomes a master and selects this device as if it were a slave.

To avoid latchup caused by contention between two pin drivers, the MCU does the following when it detects a mode fault error:

1. Forces the MSTR control bit to zero to reconfigure the SPI as a slave.
2. Forces the SPE control bit to zero to disable the SPI system.
3. Sets the MODF status flag and generates an SPI interrupt if SPIE = 1.
4. Clears the appropriate bits in the MDDR to configure all SPI pins except the \overline{SS} pin as inputs.

After correcting the problems that led to the mode fault, clear MODF by reading the SPSR while MODF is set and then writing to the SPCR. Control bits SPE and MSTR may be restored to their original set state during this clearing sequence or after the MODF bit has been cleared. Hardware does not allow the user to set the SPE and MSTR bits while MODF is a logic one except during the proper clearing sequence.

12.4 Serial Communication Interface (SCI)

The SCI submodule contains two independent SCI systems. Each is a full-duplex universal asynchronous receiver transmitter (UART). This SCI system is fully compatible with SCI systems found on other Motorola devices, such as the M68HC11 and M68HC05 families.

The SCI uses a standard non-return to zero (NRZ) transmission format. An on-chip baud-rate generator derives standard baud-rate frequencies from the MCU oscillator. Both the transmitter and the receiver are double buffered, so that back-to-back characters can be handled easily even if the CPU is delayed in responding to the completion of an individual character. The SCI transmitter and receiver are functionally independent but use the same data format and baud rate.

Figure 12-5 shows a block diagram of the SCI transmitter. **Figure 12-6** shows a block diagram of the SCI receiver.

The two independent SCI systems are called SCIA and SCIB. These SCIs are identical in register set and hardware configuration, providing an application with full flexibility in using the dual SCI system. References to SCI registers in this section do not always distinguish between the two SCI systems. A reference to SCCR1, for example, applies to both SCCR1A (SCIA control register 1) and SCCR1B (SCIB control register 1).

12.4.1 SCI Registers

The SCI programming model includes the MCCI global and pin control registers and eight SCI registers. Each of the two SCI units contains two SCI control registers, one status register, and one data register. Refer to D.8.9 SCI Control Register 0, **D.8.11 SCI Status Register**, and D.8.12 SCI Data Register for register bit and field definitions.

All registers may be read or written at any time by the CPU. Rewriting the same value to any SCI register does not disrupt operation; however, writing a different value into an SCI register when the SCI is running may disrupt operation. To change register values, the receiver and transmitter should be disabled with the transmitter allowed to finish first. The status flags in the SCSR may be cleared at any time.

Freescale Semiconductor, Inc.

When initializing the SCI, set the transmitter enable (TE) and receiver enable (RE) bits in SCCR1 last. A single word write to SCCR1 can be used to initialize the SCI and enable the transmitter and receiver.

12.4.1.1 SCI Control Registers

SCCR0 contains the baud rate selection field. The baud rate must be set before the SCI is enabled. The CPU16 can read and write this register at any time.

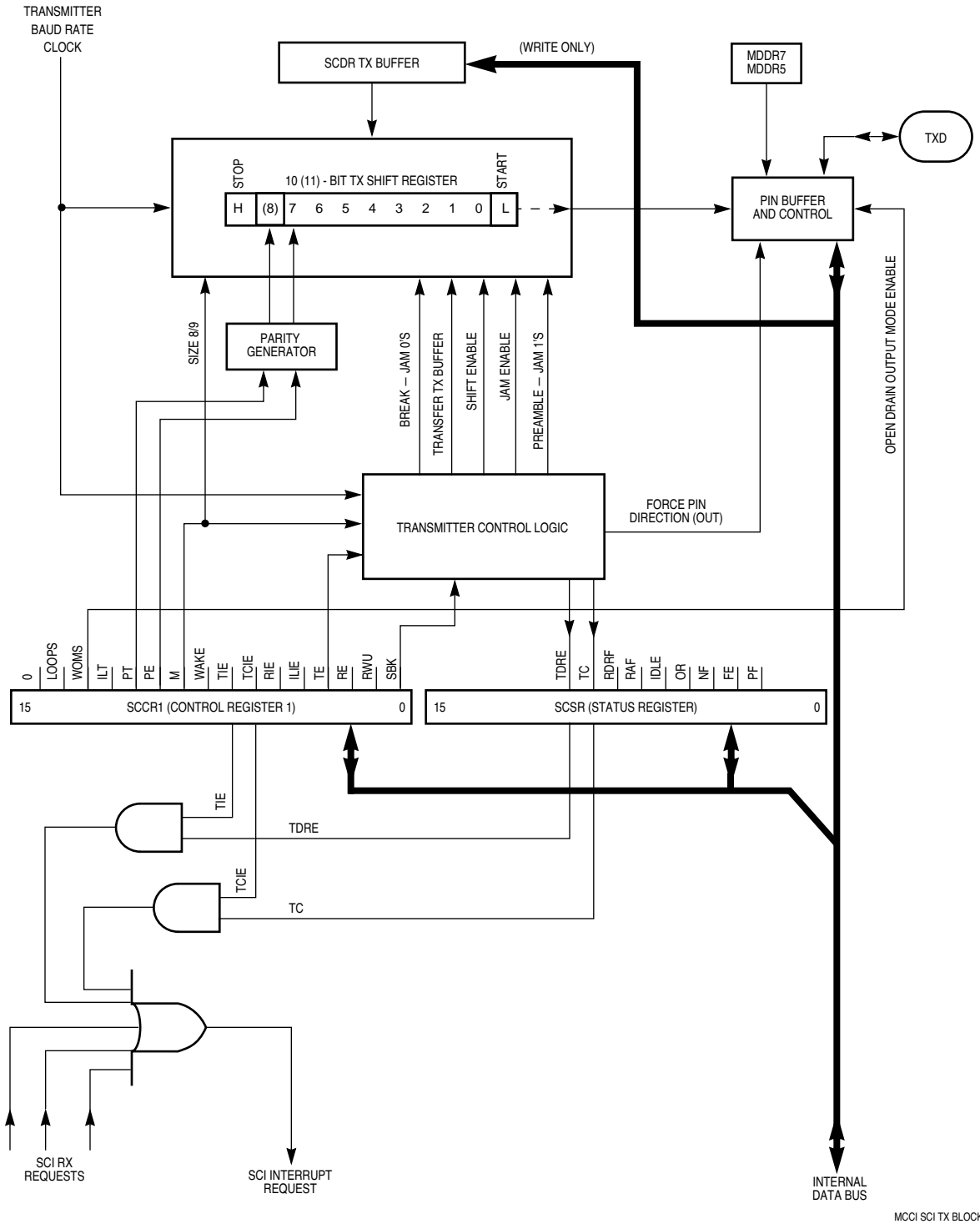


Figure 12-5 SCI Transmitter Block Diagram

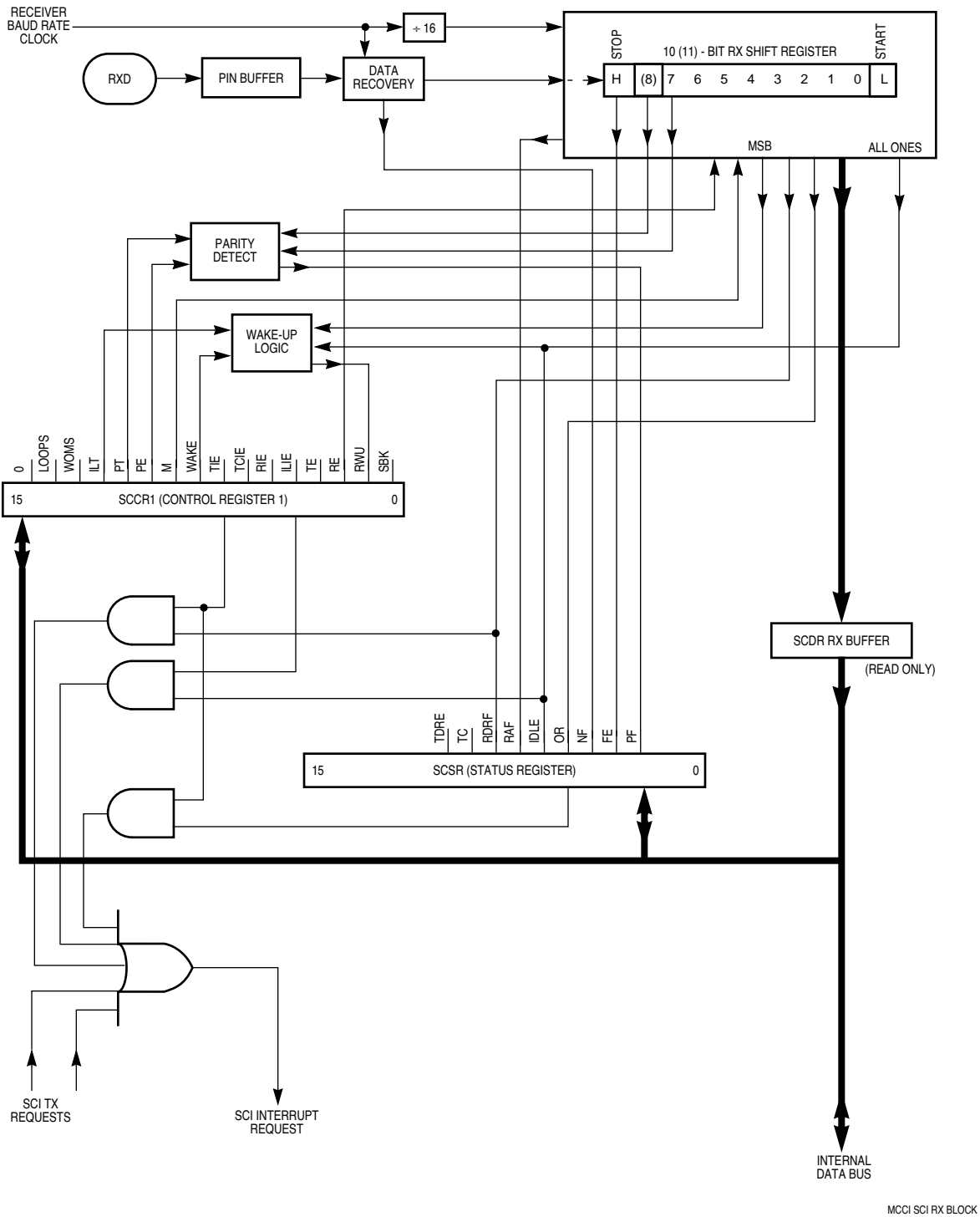


Figure 12-6 SCI Receiver Block Diagram

SCCR1 contains a number of SCI configuration parameters, including transmitter and receiver enable bits, interrupt enable bits, and operating mode enable bits. The CPU16 can read and write this register at any time. The SCI can modify the RWU bit under certain circumstances.

Changing the value of SCI control bits during a transfer may disrupt operation. Before changing register values, allow the SCI to complete the current transfer, then disable the receiver and transmitter.

12.4.1.2 SCI Status Register

The SCSR contains flags that show SCI operating conditions. These flags are cleared either by SCI hardware or by a read/write sequence. To clear SCI transmitter flags, read the SCSR and then write to the SCDR. To clear SCI receiver flags, read the SCSR and then read the SCDR. A long-word read can consecutively access both the SCSR and the SCDR. This action clears receiver status flag bits that were set at the time of the read, but does not clear TDRE or TC flags.

If an internal SCI signal for setting a status bit comes after the CPU has read the asserted status bits, but before the CPU has written or read the SCDR, the newly set status bit is not cleared. The SCSR must be read again with the bit set, and the SCDR must be written to or read before the status bit is cleared.

Reading either byte of the SCSR causes all 16 bits to be accessed, and any status bit already set in either byte will be cleared on a subsequent read or write of the SCDR.

12.4.1.3 SCI Data Register

The SCDR contains two data registers at the same address. The RDR is a read-only register that contains data received by the SCI serial interface. The data comes into the receive serial shifter and is transferred to the RDR. The TDR is a write-only register that contains data to be transmitted. The data is first written to the TDR, then transferred to the transmit serial shifter, where additional format bits are added before transmission.

12.4.2 SCI Pins

Four pins are associated with the SCI: TXDA, TXDB, RXDA, and RXDB. The state of the TE or RE bit in SCI control register 1 of each SCI submodule (SCCR1A, SCCR1B) determines whether the associated pin is configured for SCI operation or general-purpose I/O. The MDDR assigns each pin as either input or output. The WOMC bit in SCCR1A or SCCR1B determines whether the associated RXD and TXD pins, when configured as outputs, function as open-drain output pins or normal CMOS outputs. The MDDR and WOMC assignments are valid regardless of whether the pins are configured for SPI use or general-purpose I/O.

SCI pins are listed in **Table 12-5**.

Table 12-5 SCI Pins

| Pin | Mode | SCI Function | Port I/O Signal |
|---------------|------|---------------------------------------|-----------------|
| Transmit data | TXDA | Serial data output from SCIA (TE = 1) | PMC7 |
| | TXDB | Serial data output from SCIB (TE = 1) | PMC5 |
| Receive data | RXDA | Serial data input to SCIA (RE = 1) | PMC6 |
| | RXDB | Serial data input to SCIB (RE = 1) | PMC4 |

12.4.3 Receive Data Pins (RXDA, RXDB)

RXDA and RXDB are the serial data inputs to the SCIA and SCIB interfaces, respectively. Each pin is also available as a general-purpose I/O pin when the RE bit in SCCR1 of the associated SCI submodule is cleared. When used for general-purpose I/O, RXDA and RXDB may be configured either as input or output as determined by the RXDA and RXDB bits in the MDDR.

12.4.4 Transmit Data Pins (TXDA, TXDB)

When used for general-purpose I/O, TXDA and TXDB can be configured either as input or output as determined by the TXDA and TXDB bits in the MDDR. The TXDA and TXDB pins are enabled for SCI use by setting the TE bit in SCCR1 of each SCI interface.

12.4.5 SCI Operation

SCI operation can be polled by means of status flags in the SCSR, or interrupt-driven operation can be employed by means of the interrupt-enable bits in SCCR1.

12.4.5.1 Definition of Terms

Data can be transmitted and received in a number of formats. The following terms concerning data format are used in this section:

- Bit-Time — The time required to transmit or receive one bit of data, which is equal to one cycle of the baud frequency.
- Start Bit — One bit-time of logic zero that indicates the beginning of a data frame. A start bit must begin with a one-to-zero transition and be preceded by at least three receive time samples of logic one.
- Stop Bit— One bit-time of logic one that indicates the end of a data frame.
- Frame — A complete unit of serial information. The SCI can use 10-bit or 11-bit frames.
- Data Frame — A start bit, a specified number of data or information bits, and at least one stop bit.
- Idle Frame — A frame that consists of consecutive ones. An idle frame has no start bit.
- Break Frame — A frame that consists of consecutive zeros. A break frame has no stop bits.

12.4.5.2 Serial Formats

All data frames must have a start bit and at least one stop bit. Receiving and transmitting devices must use the same data frame format. The SCI provides hardware support for both 10-bit and 11-bit frames. The M bit in SCCR1 specifies the number of bits per frame.

The most common data frame format for NRZ serial interfaces is one start bit, eight data bits (LSB first), and one stop bit; a total of ten bits. The most common 11-bit data frame contains one start bit, eight data bits, a parity or control bit, and one stop bit. Ten-bit and eleven-bit frames are shown in **Table 12-6**.

Table 12-6 Serial Frame Formats

| 10-Bit Frames | | | |
|---------------|------|----------------|------|
| Start | Data | Parity/Control | Stop |
| 1 | 7 | — | 2 |
| 1 | 7 | 1 | 1 |
| 1 | 8 | — | 1 |
| 11-Bit Frames | | | |
| Start | Data | Parity/Control | Stop |
| 1 | 7 | 1 | 2 |
| 1 | 8 | 1 | 1 |

12.4.5.3 Baud Clock

The SCI baud rate is programmed by writing a 13-bit value to the SCBR field in SCI control register zero (SCCR0). The baud rate is derived from the MCU system clock by a modulus counter. Writing a value of zero to SCBR[12:0] disables the baud rate generator. Baud rate is calculated as follows:

$$\text{SCI Baud Rate} = \frac{f_{\text{sys}}}{32 \times \text{SCBR}[12:0]}$$

or

$$\text{SCBR}[12:0] = \frac{f_{\text{sys}}}{32 \times \text{SCI Baud Rate Desired}}$$

where SCBR[12:0] is in the range {1, 2, 3, ..., 8191}.

The SCI receiver operates asynchronously. An internal clock is necessary to synchronize with an incoming data stream. The SCI baud rate generator produces a receive time sampling clock with a frequency 16 times that of the SCI baud rate. The SCI determines the position of bit boundaries from transitions within the received waveform, and adjusts sampling points to the proper positions within the bit period.

12.4.5.4 Parity Checking

The PT bit in SCCR1 selects either even (PT = 0) or odd (PT = 1) parity. PT affects received and transmitted data. The PE bit in SCCR1 determines whether parity checking is enabled (PE = 1) or disabled (PE = 0). When PE is set, the MSB of data in a frame is used for the parity function. For transmitted data, a parity bit is generated for received data; the parity bit is checked. When parity checking is enabled, the PF bit in the SCI status register (SCSR) is set if a parity error is detected.

Enabling parity affects the number of data bits in a frame, which can in turn affect frame size. **Table 12-7** shows possible data and parity formats.

Table 12-7 Effect of Parity Checking on Data Size

| M | PE | Result |
|---|----|---------------------------|
| 0 | 0 | 8 data bits |
| 0 | 1 | 7 data bits, 1 parity bit |
| 1 | 0 | 9 data bits |
| 1 | 1 | 8 data bits, 1 parity bit |

12.4.5.5 Transmitter Operation

The transmitter consists of a serial shifter and a parallel data register (TDR) located in the SCI data register (SCDR). The serial shifter cannot be directly accessed by the CPU16. The transmitter is double-buffered, which means that data can be loaded into the TDR while other data is shifted out. The TE bit in SCCR1 enables (TE = 1) and disables (TE = 0) the transmitter.

Shifter output is connected to the TXD pin while the transmitter is operating (TE = 1, or TE = 0 and transmission in progress). Wired-OR operation should be specified when more than one transmitter is used on the same SCI bus. The WOMS bit in SCCR1 determines whether TXD is an open-drain (wired-OR) output or a normal CMOS output. An external pull-up resistor on TXD is necessary for wired-OR operation. WOMS controls TXD function whether the pin is used by the SCI or as a general-purpose I/O pin.

Data to be transmitted is written to SCDR, then transferred to the serial shifter. The transmit data register empty (TDRE) flag in SCSR shows the status of TDR. When TDRE = 0, the TDR contains data that has not been transferred to the shifter. Writing to SCDR again overwrites the data. TDRE is set when the data in the TDR is transferred to the shifter. Before new data can be written to the SCDR, however, the processor must clear TDRE by writing to SCSR. If new data is written to the SCDR without first clearing TDRE, the data will not be transmitted.

The transmission complete (TC) flag in SCSR shows transmitter shifter state. When TC = 0, the shifter is busy. TC is set when all shifting operations are completed. TC is not automatically cleared. The processor must clear it by first reading SCSR while TC is set, then writing new data to SCDR.

The state of the serial shifter is checked when the TE bit is set. If TC = 1, an idle frame is transmitted as a preamble to the following data frame. If TC = 0, the current operation continues until the final bit in the frame is sent, then the preamble is transmitted. The TC bit is set at the end of preamble transmission.

The SBK bit in SCCR1 is used to insert break frames in a transmission. A non-zero integer number of break frames is transmitted while SBK is set. Break transmission begins when SBK is set, and ends with the transmission in progress at the time either SBK or TE is cleared. If SBK is set while a transmission is in progress, that transmission finishes normally before the break begins. To assure the minimum break time, toggle SBK quickly to one and back to zero. The TC bit is set at the end of break transmission. After break transmission, at least one bit-time of logic level one (mark idle) is transmitted to ensure that a subsequent start bit can be detected.

If TE remains set, after all pending idle, data and break frames are shifted out, TDRE and TC are set and TXD is held at logic level one (mark).

When TE is cleared, the transmitter is disabled after all pending idle; data and break frames are transmitted. The TC flag is set, and control of the TXD pin reverts to PQSPAR and DDRQS. Buffered data is not transmitted after TE is cleared. To avoid losing data in the buffer, do not clear TE until TDRE is set.

Some serial communication systems require a mark on the TXD pin even when the transmitter is disabled. Configure the TXD pin as an output, then write a one to PQS7. When the transmitter releases control of the TXD pin, it reverts to driving a logic one output.

To insert a delimiter between two messages, to place non-listening receivers in wake-up mode between transmissions, or to signal a retransmission by forcing an idle line, clear and then set TE before data in the serial shifter has shifted out. The transmitter finishes the transmission, then sends a preamble. After the preamble is transmitted, if TDRE is set, the transmitter will mark idle. Otherwise, normal transmission of the next sequence will begin.

Both TDRE and TC have associated interrupts. The interrupts are enabled by the transmit interrupt enable (TIE) and transmission complete interrupt enable (TCIE) bits in SCCR1. Service routines can load the last byte of data in a sequence into SCDR, then terminate the transmission when a TDRE interrupt occurs.

12.4.5.6 Receiver Operation

The RE bit in SCCR1 enables (RE = 1) and disables (RE = 0) the receiver. The receiver contains a receive serial shifter and a parallel receive data register (RDR) located in the SCI data register (SCDR). The serial shifter cannot be directly accessed by the CPU16. The receiver is double-buffered, allowing data to be held in the RDR while other data is shifted in.

Receiver bit processor logic drives a state machine that determines the logic level for each bit-time. This state machine controls when the bit processor logic is to sample the RXD pin and also controls when data is to be passed to the receive serial shifter.

Freescale Semiconductor, Inc.

A receive time clock is used to control sampling and synchronization. Data is shifted into the receive serial shifter according to the most recent synchronization of the receive time clock with the incoming data stream. From this point on, data movement is synchronized with the MCU system clock.

The number of bits shifted in by the receiver depends on the serial format. However, all frames must end with at least one stop bit. When the stop bit is received, the frame is considered to be complete, and the received data in the serial shifter is transferred to the RDR. The receiver data register flag (RDRF) is set when the data is transferred.

Noise errors, parity errors, and framing errors can be detected while a data stream is being received. Although error conditions are detected as bits are received, the noise flag (NF), the parity flag (PF), and the framing error (FE) flag in SCSR are not set until data is transferred from the serial shifter to the RDR.

RDRF must be cleared before the next transfer from the shifter can take place. If RDRF is set when the shifter is full, transfers are inhibited and the overrun error (OR) flag in SCSR is set. OR indicates that the RDR needs to be serviced faster. When OR is set, the data in the RDR is preserved, but the data in the serial shifter is lost. Because framing, noise, and parity errors are detected while data is in the serial shifter, FE, NF, and PF cannot occur at the same time as OR.

When the CPU16 reads SCSR and SCDR in sequence, it acquires status and data, and also clears the status flags. Reading SCSR acquires status and arms the clearing mechanism. Reading SCDR acquires data and clears SCSR.

When RIE in SCCR1 is set, an interrupt request is generated whenever RDRF is set. Because receiver status flags are set at the same time as RDRF, they do not have separate interrupt enables.

12.4.5.7 Idle-Line Detection

During a typical serial transmission, frames are transmitted isochronally and no idle time occurs between frames. Even when all the data bits in a frame are logic ones, the start bit provides one logic zero bit-time during the frame. An idle line is a sequence of contiguous ones equal to the current frame size. Frame size is determined by the state of the M bit in SCCR1.

The SCI receiver has both short and long idle-line detection capability. Idle-line detection is always enabled. The idle line type (ILT) bit in SCCR1 determines which type of detection is used. When an idle line condition is detected, the IDLE flag in SCSR is set.

For short idle-line detection, the receiver bit processor counts contiguous logic one bit-times whenever they occur. Short detection provides the earliest possible recognition of an idle line condition, because the stop bit and contiguous logic ones before and after it are counted. For long idle-line detection, the receiver counts logic ones after the stop bit is received. Only a complete idle frame causes the IDLE flag to be set.

In some applications, software overhead can cause a bit-time of logic level one to occur between frames. This bit-time does not affect content, but if it occurs after a frame of ones when short detection is enabled, the receiver flags an idle line.

When the ILIE bit in SCCR1 is set, an interrupt request is generated when the IDLE flag is set. The flag is cleared by reading SCSR and SCDR in sequence. IDLE is not set again until after at least one frame has been received (RDRF = 1). This prevents an extended idle interval from causing more than one interrupt.

12.4.5.8 Receiver Wake-Up

The receiver wake-up function allows a transmitting device to direct a transmission to a single receiver or to a group of receivers by sending an address frame at the start of a message. Hardware activates each receiver in a system under certain conditions. Resident software must process address information and enable or disable receiver operation.

A receiver is placed in wake-up mode by setting the RWU bit in SCCR1. While RWU is set, receiver status flags and interrupts are disabled. Although the CPU32 can clear RWU, it is normally cleared by hardware during wake-up.

The WAKE bit in SCCR1 determines which type of wake-up is used. When WAKE = 0, idle-line wake-up is selected. When WAKE = 1, address-mark wake-up is selected. Both types require a software-based device addressing and recognition scheme.

Idle-line wake-up allows a receiver to sleep until an idle line is detected. When an idle-line is detected, the receiver clears RWU and wakes up. The receiver waits for the first frame of the next transmission. The byte is received normally, transferred to the RDR, and the RDRF flag is set. If software does not recognize the address, it can set RWU and put the receiver back to sleep. For idle-line wake-up to work, there must be a minimum of one frame of idle line between transmissions. There must be no idle time between frames within a transmission.

Address-mark wake-up uses a special frame format to wake up the receiver. When the MSB of an address-mark frame is set, that frame contains address information. The first frame of each transmission must be an address frame. When the MSB of a frame is set, the receiver clears RWU and wakes up. The byte is received normally, transferred to the RDR, and the RDRF flag is set. If software does not recognize the address, it can set RWU and put the receiver back to sleep. Address-mark wake-up allows idle time between frames and eliminates idle time between transmissions. However, there is a loss of efficiency because of an additional bit-time per frame.

12.4.5.9 Internal Loop

The LOOPS bit in SCCR1 controls a feedback path in the data serial shifter. When LOOPS is set, the SCI transmitter output is fed back into the receive serial shifter. TXD is asserted (idle line). Both transmitter and receiver must be enabled before entering loop mode.

12.5 MCCI Initialization

After reset, the MCCI remains in an idle state. Several registers must be initialized before serial operations begin. A general sequence guide for initialization follows.

- A. Global
 1. Configure MMCR
 - a. Write an interrupt arbitration number greater than zero into the IARB field.
 - b. Clear the STOP bit if it is not already cleared.
 2. Interrupt vector and interrupt level registers (MIVR, ILSPI, and ILSCI)
 - a. Write the SPI/SCI interrupt vector into MIVR.
 - b. Write the SPI interrupt request level into the ILSPI and the interrupt request levels for the two SCI interfaces into the ILSCI.
 3. Port data register
 - a. Write a data word to PORTMC.
 - b. Read a port pin state from PORTMCP.
 4. Pin control registers
 - a. Establish the direction of MCCI pins by writing to the MDDR.
 - b. Assign pin functions by writing to the MPAR.
- B. Serial Peripheral Interface
 1. Configure SPCR
 - a. Write a transfer rate value into the BAUD field.
 - b. Determine clock phase (CPHA) and clock polarity (CPOL).
 - c. Specify an 8- or 16-bit transfer (SIZE) and MSB- or LSB-first transfer mode (LSBF).
 - d. Select master or slave operating mode (MSTR).
 - e. Enable or disable wired-OR operation (WOMP).
 - f. Enable or disable SPI interrupts (SPIE).
 - g. Enable the SPI by setting the SPE bit.
- C. Serial Communication Interface (SCIA/SCIB)
 1. To transmit, read the SCSR, and then write transmit data to the SCDR. This clears the TDRE and TC indicators in the SCSR.
 - a. SCI control register 0 (SCCR0)
 - b. Write a baud rate value into the BR field.
 2. Configure SCCR1
 - a. Select 8- or 9-bit frame format (M).
 - b. Determine use (PE) and type (PT) of parity generation or detection.
 - c. To receive, set the RE and RIE bits in SCCR1. Select use (RWU) and type (WAKE) of receiver wakeup. Select idle-line detection type (ILT) and enable or disable idle-line interrupt (ILIE).
 - d. To transmit, set TE and TIE bits in SCCR1, and enable or disable WOMC and TCIE bits. Disable break transmission (SBK) for normal operation.

SECTION 13 GENERAL-PURPOSE TIMER

This section is an overview of general-purpose timer (GPT) function. Refer to the *GPT Reference Manual* (GPTRM/AD) for complete information about the GPT module.

13.1 General

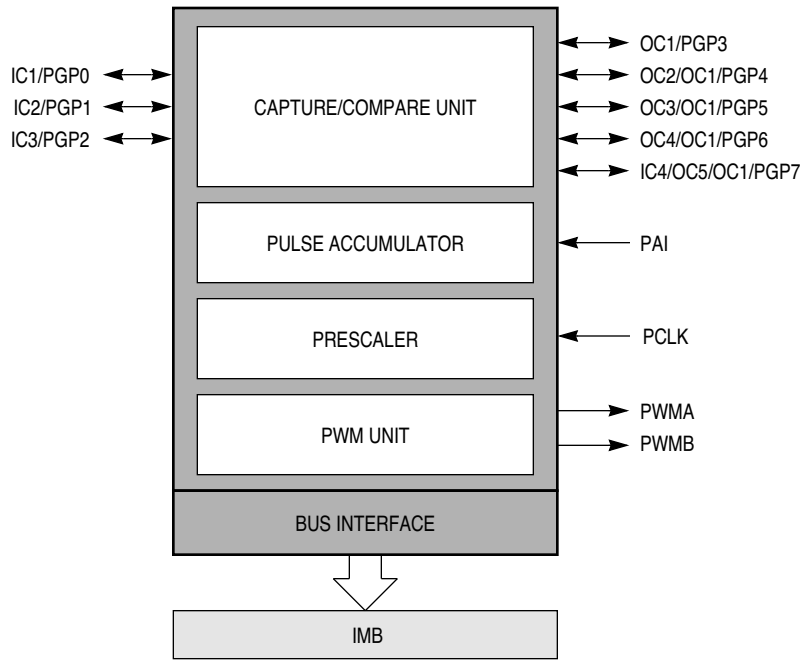
The 11-channel general-purpose timer (GPT) is used in systems where a moderate level of CPU control is required. The GPT consists of a capture/compare unit, a pulse accumulator, and two pulse-width modulators. A bus interface unit connects the GPT to the intermodule bus (IMB). **Figure 13-1** is a block diagram of the GPT.

The capture/compare unit features three input capture channels, four output compare channels, and one channel that can be selected as input capture or output compare. These channels share a 16-bit free-running counter (TCNT) that derives its clock from a nine-stage prescaler or from the external clock input signal, PCLK.

Pulse accumulator channel logic includes an 8-bit counter. The pulse accumulator can operate in either event counting mode or gated time accumulation mode.

Pulse-width modulator outputs are periodic waveforms whose duty cycles can be independently selected and modified by user software. The PWM circuits share a 16-bit free-running counter that can be clocked by the same nine-stage prescaler used by the capture/compare unit or by the PCLK input.

All GPT pins can also be used for general-purpose input/output. The input capture and output compare pins form a bidirectional 8-bit parallel port (port GP). PWM pins are outputs only. PAI and PCLK pins are inputs only.



GPT BLOCK

Figure 13-1 GPT Block Diagram

13.2 GPT Registers and Address Map

The GPT programming model consists of a configuration register (GPTMCR), parallel I/O registers (DDRGP, PORTGP), capture/compare registers (TCNT, TCTL1, TCTL2, TIC[1:3], TOC[1:4], T14/O5, CFORC), pulse accumulator registers (PACNT, PACTL), pulse-width modulation registers (PWMA, PWMB, PWMC, PWMCNT, PWMBUFA, PWMBUFB), status registers (TFLG1, TFLG2) and interrupt control registers (TMSK1, TMSK2). Functions of the module configuration register are discussed in 13.3 Special Modes of Operation and 11.4 Polled and Interrupt-Driven Operation. Other register functions are discussed in the appropriate sections.

All registers can be accessed using byte or word operations. Certain capture/compare registers and pulse-width modulation registers must be accessed by word operations to ensure coherency. If byte accesses are used to read a register such as the timer counter register (TCNT), there is a possibility that data in the byte not being accessed will change while the other byte is read. Both bytes must be accessed at the same time.

The modmap (MM) bit in the single-chip integration module configuration register (SCIMCR) defines the most significant bit (ADDR23) of the IMB address for each register in the MCU. Because the CPU16 drives ADDR[23:20] to the same logic state as ADDR[19:0], MM must equal one.

Refer to D.9 General-Purpose Timer (GPT) for a GPT address map and register bit/field descriptions. Refer to 5.2.1 Module Mapping for more information about how the state of MM affects the system.

13.3 Special Modes of Operation

The GPT module configuration register (GPTMCR) is used to control special GPT operating modes. These include low-power stop mode, freeze mode, single-step mode, and test mode. Normal GPT operation can be polled or interrupt-driven. Refer to **13.4 Polled and Interrupt-Driven Operation** for more information.

13.3.1 Low-Power Stop Mode

Low-power stop operation is initiated by setting the STOP bit in GPTMCR. In stop mode the system clock to the module is turned off. The clock remains off until STOP is negated or a reset occurs. All counters and prescalers within the timer stop counting while the STOP bit is set. Only the module configuration register (GPTMCR) and the interrupt configuration register (ICR) should be accessed while in the stop mode. Accesses register (ICR) should be accessed while in the stop mode. Accesses to other GPT registers cause unpredictable behavior. Low-power stop can also be used to disable module operation during debugging.

13.3.2 Freeze Mode

The freeze (FRZ[1:0]) bits in GPTMCR are used to determine what action is taken by the GPT when the IMB FREEZE signal is asserted. FREEZE is asserted when the CPU enters background debug mode. At the present time, FRZ1 is not implemented; FRZ0 causes the GPT to enter freeze mode. Refer to 4.14.4 Background Debug Mode for more information.

Freeze mode freezes the current state of the timer. The prescaler and the pulse accumulator do not increment and changes to the pins are ignored (input pin synchronizers are not clocked). All of the other timer functions that are controlled by the CPU operate normally. For example, registers can be written to change pin directions, force output compares, and read or write I/O pins.

While the FREEZE signal is asserted, the CPU has write access to registers and bits that are normally read-only or write-once. The write-once bits can be written to as often as needed. The prescaler and the pulse accumulator remain stopped and the input pins are ignored until the FREEZE signal is negated (the CPU is no longer in BDM), the FRZ0 bit is cleared, or the MCU is reset.

Activities that are in progress before FREEZE assertion are completed. For example, if an input edge on an input capture pin is detected just as the FREEZE signal is asserted, the capture occurs and the corresponding interrupt flag is set.

13.3.3 Single-Step Mode

Two bits in GPTMCR support GPT debugging without using BDM. When the STOPP bit is asserted, the prescaler and the pulse accumulator stop counting and changes at input pins are ignored. Reads of the GPT pins return the state of the pin when STOPP was set. After STOPP is set, the INCP bit can be set to increment the prescaler and clock the input synchronizers once. The INCP bit is self-negating after the prescaler is incremented. INCP can be set repeatedly. The INCP bit has no effect when the STOPP bit is not set.

13.3.4 Test Mode

Test mode is used during Motorola factory testing. The GPT has no dedicated test-mode control register; all GPT testing is done under control of the system integration module.

13.4 Polled and Interrupt-Driven Operation

Normal GPT function can be polled or interrupt-driven. All GPT functions have an associated status flag and an associated interrupt. The timer interrupt flag registers (TFLG1 and TFLG2) contain status flags used for polled and interrupt-driven operation. The timer mask registers (TMSK1 and TMSK2) contain interrupt control bits. Control routines can monitor GPT operation by polling the status registers. When an event occurs, the control routine transfers control to a service routine that handles that event. If interrupts are enabled for an event, the GPT requests interrupt service when the event occurs. Using interrupts does not require continuously polling the status flags to see if an event has taken place. However, to disable the interrupt request status flags must be cleared after an interrupt is serviced.

13.4.1 Polled Operation

When an event occurs in the GPT, that event sets a status flag in TFLG1 or TFLG2. The GPT sets the flags; they cannot be set by the CPU. TFLG1 and TFLG2 are 8-bit registers that can be accessed individually or as one 16-bit register. The registers are initialized to zero at reset. **Table 13-1** shows status flag assignment.

Table 13-1 GPT Status Flags

| Flag Mnemonic | Register Assignment | Source |
|---------------|---------------------|----------------------------------|
| IC1F | TFLG1 | Input capture 1 |
| IC2F | TFLG1 | Input capture 2 |
| IC3F | TFLG1 | Input capture 3 |
| OC1F | TFLG1 | Output compare 1 |
| OC2F | TFLG1 | Output compare 2 |
| OC3F | TFLG1 | Output compare 3 |
| OC4F | TFLG1 | Output compare 4 |
| I4/O5F | TFLG1 | Input capture 4/output compare 5 |
| TOF | TFLG2 | Timer overflow |
| PAOVF | TFLG2 | Pulse accumulator overflow |
| PAIF | TFLG2 | Pulse accumulator input |

For each bit in TFLG1 and TFLG2 there is a corresponding bit in TMSK1 and TMSK2 in the same bit position. If a mask bit is set and an associated event occurs, a hardware interrupt request is generated.

In order to re-enable a status flag after an event occurs, the status flags must be cleared. Status registers are cleared in a particular sequence. The register must first be read for set flags, then zeros must be written to the flags that are to be cleared. If a new event occurs between the time that the register is read and the time that it is written, the associated flag is not cleared.

13.4.2 GPT Interrupts

The GPT has 11 internal sources that can cause it to request interrupt service (refer to **Table 13-2**). Setting bits in TMSK1 and TMSK2 enables specific interrupt sources. TMSK1 and TMSK2 are 8-bit registers that can be addressed individually or as one 16-bit register. The registers are initialized to zero at reset. For each bit in TMSK1 and TMSK2 there is a corresponding bit in TFLG1 and TFLG2 in the same bit position. TMSK2 also controls the operation of the timer prescaler. Refer to 13.7 Prescaler for more information.

The value of the interrupt priority level (IPL[2:0]) field in the interrupt control register (ICR) determines the priority of GPT interrupt requests. IPL[2:0] values correspond to MCU interrupt request signals $\overline{IRQ}[7:1]$. $\overline{IRQ}7$ is the highest priority interrupt request signal; $\overline{IRQ}1$ is the lowest-priority signal. A value of %111 causes $\overline{IRQ}7$ to be asserted when a GPT interrupt request is made; lower field values cause corresponding lower-priority interrupt request signals to be asserted. Setting field value to %000 disables interrupts.

Table 13-2 GPT Interrupt Sources

| Name | Source Number | Source | Vector Number |
|---------|---------------|----------------------------------|---------------|
| — | 0000 | Adjusted channel | IVBA : 0000 |
| IC1 | 0001 | Input capture 1 | IVBA : 0001 |
| IC2 | 0010 | Input capture 2 | IVBA : 0010 |
| IC3 | 0011 | Input capture 3 | IVBA : 0011 |
| OC1 | 0100 | Output compare 1 | IVBA : 0100 |
| OC2 | 0101 | Output compare 2 | IVBA : 0101 |
| OC3 | 0110 | Output compare 3 | IVBA : 0110 |
| OC4 | 0111 | Output compare 4 | IVBA : 0111 |
| IC4/OC5 | 1000 | Input capture 4/output compare 5 | IVBA : 1000 |
| TO | 1001 | Timer overflow | IVBA : 1001 |
| PAOV | 1010 | Pulse accumulator overflow | IVBA : 1010 |
| PAI | 1011 | Pulse accumulator input | IVBA : 1011 |

The CPU16 recognizes only interrupt request signals of a priority greater than the condition code register interrupt priority (IP) mask value. When the CPU acknowledges an interrupt request, the priority of the acknowledged request is written to the IP mask and driven out on the IMB address lines.

When the IP mask value driven out on the address lines is the same as the IRL value, the GPT contends for arbitration priority. GPT arbitration priority is determined by the value of IARB[3:0] in GPTMCR. Each MCU module that can make interrupt requests must be assigned a nonzero IARB value to implement an arbitration scheme. Arbitration is performed by serial assertion of IARB[3:0] bit values.

When the GPT wins interrupt arbitration, it responds to the CPU interrupt acknowledge cycle by placing an interrupt vector number on the data bus. The vector number is used to calculate displacement into the CPU16 exception vector table. Vector numbers are formed by concatenating the value in ICR IVBA[3:0] with a 4-bit value supplied by the GPT when an interrupt request is made. Hardware prevents the vector number from changing while it is being driven out on the IMB. Vector number assignment is shown in **Table 13-2**.

At reset, IVBA[3:0] is initialized to \$0. To enable interrupt-driven timer operation, the upper nibble of a user-defined vector number (\$40 – \$FF) must be written to IVBA, and interrupt handler routines must be located at the addresses pointed to by the corresponding vector.

NOTE

IVBA[3:0] must be written before GPT interrupts are enabled, or the GPT could supply a vector number (\$00 to \$0F) that corresponds to an assigned or reserved exception vector.

The internal GPT interrupt priority hierarchy is shown in **Table 13-2**. The lower the interrupt source number, the higher the priority. A single GPT interrupt source can be given priority over all other GPT interrupt sources by assigning the priority adjust field (IPA[3:0]) in the ICR a value equal to its source number.

Interrupt requests are asserted until associated status flags are cleared. Status flags must be cleared in a particular sequence. The status register must first be read for set flags, then zeros must be written to the flags that are to be cleared. If a new event occurs between the time that the register is read and the time that it is written, the associated flag is not cleared.

For more information on interrupts, refer to 5.8 Interrupts. For more information on exceptions, refer to 4.13.4 Types of Exceptions.

13.5 Pin Descriptions

The GPT uses 12 of the MCU pins. Each pin can perform more than one function. Descriptions of GPT pins divided into functional groups follow.

13.5.1 Input Capture Pins

Each input capture pin is associated with a single GPT input capture function. Each pin has hysteresis. Any pulse longer than two system clocks is guaranteed to be valid and any pulse shorter than one system clock is ignored. Each pin has an associated 16-bit capture register that holds the captured counter value. These pins can also be used for general-purpose I/O. Refer to 13.8.2 Input Capture Functions for more information.

13.5.2 Input Capture/Output Compare Pin

The input capture/output compare pin can be configured for use by either an input capture or an output compare function. It has an associated 16-bit register that is used for holding either the input capture value or the output match value. When used for input capture the pin has the same hysteresis as other input capture pins. The pin can be used for general-purpose I/O. Refer to 13.8.2 Input Capture Functions and **13.8.3 Output Compare Functions** for more information.

13.5.3 Output Compare Pins

Output compare pins are used for GPT output compare functions. Each pin has an associated 16-bit compare register and a 16-bit comparator. Pins OC2, OC3, and OC4 are associated with a specific output compare function. The OC1 function can affect the output of all compare pins. If the OC1 pin is not needed for an output compare function it can be used to output the clock selected for the timer counter register. Any of these pins can also be used for general-purpose I/O. Refer to 13.8.3 Output Compare Functions for more information.

13.5.4 Pulse Accumulator Input Pin

The pulse accumulator input (PAI) pin connects a discrete signal to the pulse accumulator for timed or gated pulse accumulation. PAI has hysteresis. Any pulse longer than two system clocks is guaranteed to be valid and any pulse shorter than one system clock is ignored. It can be used as a general-purpose input pin. Refer to 13.10 Pulse Accumulator for more information.

13.5.5 Pulse-Width Modulation

Pulse-width modulation (PWMA/B) pins carry pulse-width modulator outputs. The modulators can be programmed to generate a periodic waveform of variable frequency and duty cycle. PWMA can be used to output the clock selected as the input to the PWM counter. These pins can also be used for general-purpose output. Refer to **13.11 Pulse-Width Modulation Unit** for more information.

13.5.6 Auxiliary Timer Clock Input

The auxiliary timer clock input (PCLK) pin connects an external clock to the GPT. The external clock can be used as the clock source for the capture/compare unit or the PWM unit in place of one of the prescaler outputs. PCLK has hysteresis. Any pulse longer than two system clocks is guaranteed to be valid and any pulse shorter than one system clock is ignored. This pin can also be used as a general-purpose input pin. Refer to 13.7 Prescaler for more information.

13.6 General-Purpose I/O

Any GPT pin can be used for general-purpose I/O when it is not used for another purpose. Capture/compare pins are bidirectional, others can be used only for output or input. I/O direction is controlled by a data direction bit in the port GP data direction register (DDRGP).

Parallel data is read from and written to the port GP data register (PORTGP). Pin data can be read even when pins are configured for a timer function. Data read from PORTGP always reflects the state of the external pin, while data written to PORTGP may not always affect the external pin.

Data written to PORTGP does not immediately affect pins used for output compare functions, but the data is latched. When an output compare function is disabled, the last data written to PORTGP is driven out on the associated pin if it is configured as an output. Data written to PORTGP can cause input captures if the corresponding pin is configured for input capture function.

The pulse accumulator input (PAI) and the external clock input (PCLK) pins provide general-purpose input. The state of these pins can be read by accessing the PAIS and PCLKS bits in the pulse accumulator control register (PACTL).

Pulse-width modulation A and B (PWMA/B) output pins can serve as general-purpose outputs. The force PWM value (FPWMx) and the force logic one (F1x) bits in the compare force (CFORC) and PWM control (PWMC) registers, respectively, control their operation.

13.7 Prescaler

Capture/compare and PWM units have independent 16-bit free-running counters as a main timing component. These counters derive their clocks from the prescaler or from the PCLK input. **Figure 13-2** is a prescaler block diagram.

In the prescaler, the system clock is divided by a nine-stage divider chain. Prescaler outputs equal to system clock divided by 2, 4, 8, 16, 32, 64, 128, 256 and 512 are provided. Connected to these outputs are two multiplexers, one for the capture/compare unit, the other for the PWM unit.

Multiplexers can each select one of seven prescaler taps or an external input from the PCLK pin. Multiplexer output for the timer counter (TCNT) is selected by bits CPR[2:0] in timer interrupt mask register 2 (TMSK2). Multiplexer output for the PWM counter (PWMCNT) is selected by bits PPR[2:0] in PWM control register C (PWMC). After reset, the GPT is configured to use system clock divided by four for TCNT and system clock divided by two for PWMCNT. Initialization software can change the division factor. The PPR bits can be written at any time, but the CPR bits can only be written once after reset, unless the GPT is in test or freeze mode.

The prescaler can be read at any time. In freeze mode the prescaler can also be written. Word accesses must be used to ensure coherency. If coherency is not needed byte accesses can be used. The prescaler value is contained in bits [8:0] while bits [15:9] are unimplemented and are read as zeros.

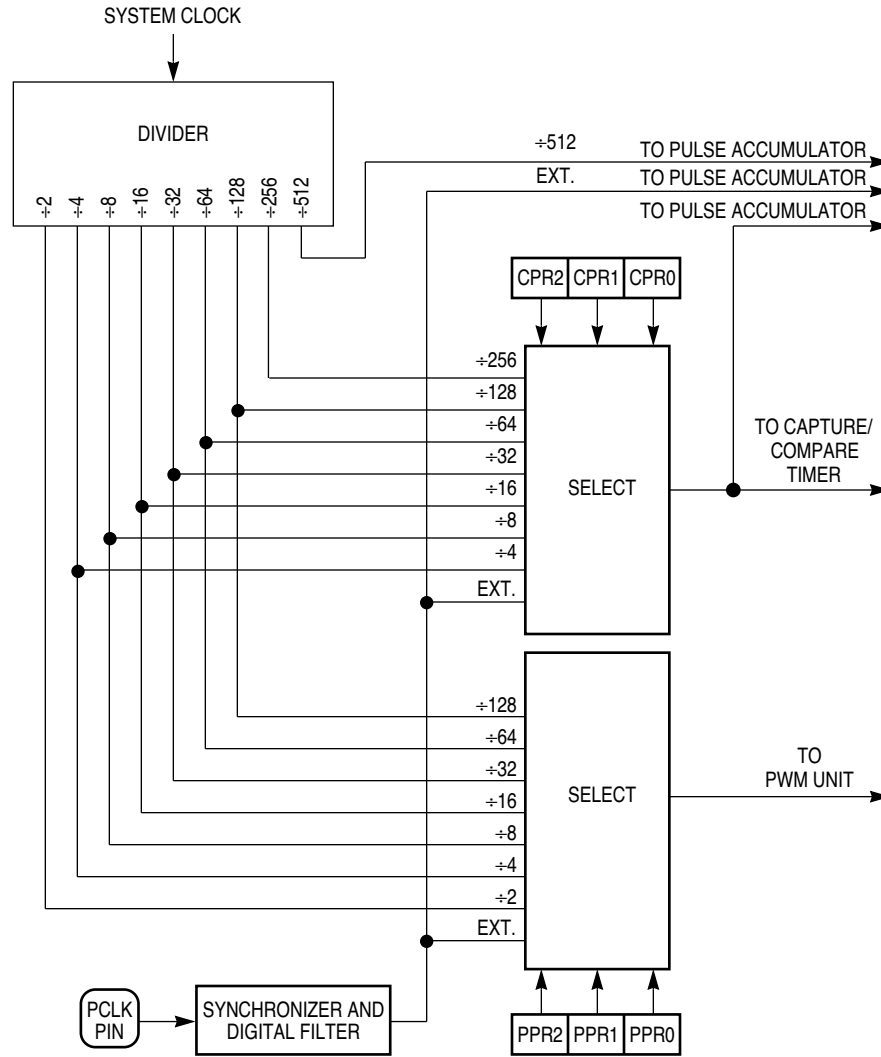


Figure 13-2 Prescaler Block Diagram

Multiplexer outputs (including the PCLK signal) can be connected to external pins. The CPROUT bit in the TMSK2 register configures the OC1pin to output the TCNT clock and the PPROUT bit in the PWMC register configures the PWMA pin to output the PWMC clock. CPROUT and PPROUT can be written at any time. Clock signals on OC1 and PWMA do not have a 50% duty cycle. They have the period of the selected clock but are high for only one system clock time.

The prescaler also supplies three clock signals to the pulse accumulator clock select mux. These are the system clock divided by 512, the external clock signal from the PCLK pin and the capture/compare clock signal.

13.8 Capture/Compare Unit

The capture/compare unit contains the timer counter (TCNT), the input capture (IC) functions and the output compare (OC) functions. **Figure 13-3** is a block diagram of the capture/compare unit.

13.8.1 Timer Counter

The timer counter (TCNT) is the key timing component in the capture/compare unit. The timer counter is a 16-bit free-running counter that starts counting after the processor comes out of reset. The counter cannot be stopped during normal operation. After reset, the GPT is configured to use the system clock divided by four as the input to the counter. The prescaler divides the system clock and provides selectable input frequencies. User software can configure the system to use one of seven prescaler outputs or an external clock.

The counter can be read any time without affecting its value. Because the GPT is interfaced to the IMB, and the IMB supports a 16-bit bus, a word read gives a coherent value. If coherency is not needed, byte accesses can be made. The counter is set to \$0000 during reset and is normally a read-only register. In test mode and freeze mode, any value can be written to the timer counter.

When the counter rolls over from \$FFFF to \$0000, the timer overflow flag (TOF) in timer interrupt flag register 2 (TFLG2) is set. An interrupt can be enabled by setting the corresponding interrupt enable bit (TOI) in timer interrupt mask register 2 (TMSK2). Refer to 13.4.2 GPT Interrupts for more information.

13.8.2 Input Capture Functions

All GPT input capture functions use the same 16-bit timer counter (TCNT). Each input capture pin has a dedicated 16-bit latch and input edge-detection/selection logic. Each input capture function has an associated status /selection logic. Each input capture function has an associated status flag, and can cause the GPT to make an interrupt service request.

When a selected edge transition occurs on an input capture pin, the associated 16-bit latch captures the content of TCNT and sets the appropriate status flag. An interrupt request can be generated when the transition is detected.

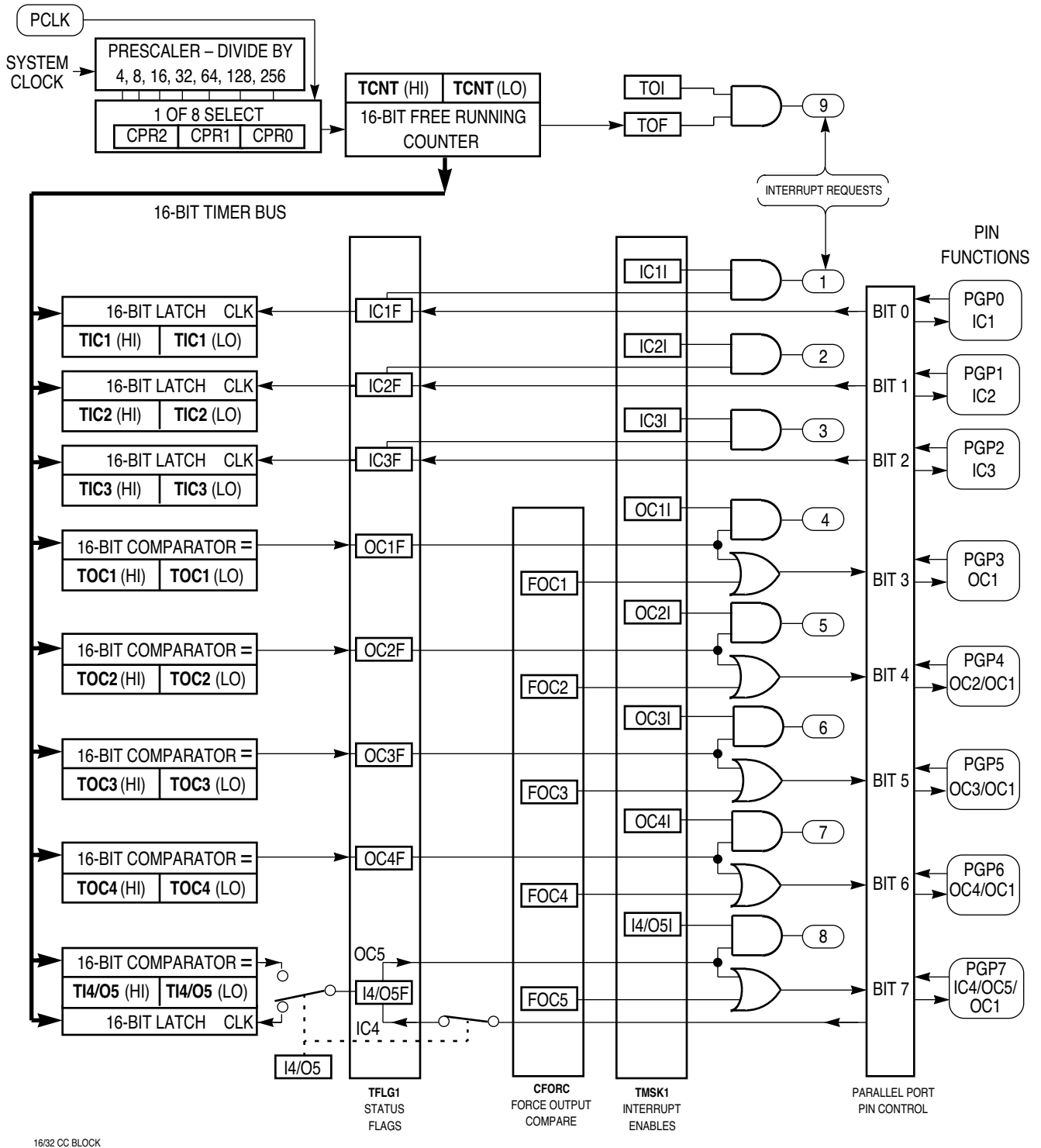


Figure 13-3 Capture/Compare Unit Block Diagram

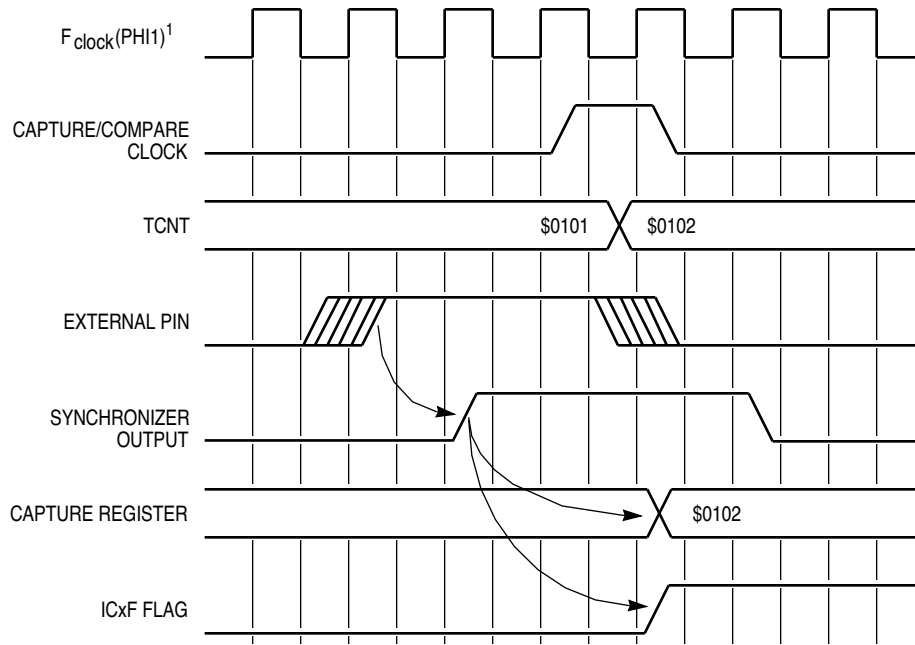
Edge-detection logic consists of control bits that enable edge detection and select a transition to detect. The EDGE_xA/B bits in timer control register 2 (TCTL2) determine whether the input capture functions detect rising edges only, falling edges only, or both rising and falling edges. Clearing both bits disables the input capture function. Input capture functions operate independently of each other and can capture the same TCNT value if individual input edges are detected within the same timer count cycle.

Input capture interrupt logic includes a status flag, that indicates that an edge has been detected, and an interrupt enable bit. An input capture event sets the IC_xF bit in the timer interrupt flag register 1 (TFLG1) and causes the GPT to make an interrupt request if the corresponding IC_xI bit is set in the timer interrupt mask register 1 (TMSK1). If the IC_xI bit is cleared, software must poll the status flag to determine that an event has occurred. Refer to 13.4 Polled and Interrupt-Driven Operation for more information.

Input capture events are generally asynchronous to the timer counter. Because of this, input capture signals are conditioned by a synchronizer and digital filter. Events are synchronized with the system clock and digital filter. Events are synchronized with the system clock so that latching of TCNT content and counter incrementation occur on opposite half-cycles of the system clock. Inputs have hysteresis. Capture of any transition longer than two system clocks is guaranteed; any transition shorter than one system clock has no effect.

Figure 13-4 shows the relationship of system clock to synchronizer output. The value latched into the capture register is the value of the counter several system clock cycles after the transition that triggers the edge detection logic. There can be up to one clock cycle of uncertainty in latching of the input transition. Maximum time is determined by the system clock frequency.

The input capture register is a 16-bit register. A word access is required to ensure coherency. If coherency is not required, byte accesses can be used to read the register. Input capture registers can be read at any time without affecting their values.



NOTES:
PHI1 IS THE SAME FREQUENCY AS THE SYSTEM CLOCK; HOWEVER, IT DOES NOT HAVE THE SAME TIMING.

16/32 IC TIM

Figure 13-4 Input Capture Timing Example

An input capture occurs every time a selected edge is detected, even when the input capture status flag is set. This means that the value read from the input capture register corresponds to the most recent edge detected, which may not be the edge that caused the status flag to be set.

13.8.3 Output Compare Functions

Each GPT output compare pin has an associated 16-bit compare register and a 16-bit comparator. Each output compare function has an associated status flag, and can cause the GPT to make an interrupt service request. Output compare logic is designed to prevent false compares during data transition times.

When the programmed content of an output compare register matches the value in TCNT, an output compare status flag (OCxF) bit in TFLG1 is set. If the appropriate interrupt enable bit (OCxI) in TMSK1 is set, an interrupt request is made when a match occurs. Refer to <Bold>11.4.2 GPT Interrupts for more information.

Operation of output compare 1 differs from that of the other output compare functions. OC1 control logic can be programmed to make state changes on other OC pins when an OC1 match occurs. Control bits in the timer compare force register (CFORC) allow for early forced compares.

13.8.3.1 Output Compare 1

Output compare 1 can affect any or all of OC[5:1] when an output match occurs. In addition to allowing generation of multiple control signals from a single comparison operation, this function makes it possible for two or more output compare functions to control the state of a single OC pin. Output pulses as short as one timer count can be generated in this way.

The OC1 action mask register (OC1M) and the OC1 action data register (OC1D) control OC1 function. Setting a bit in OC1M selects a corresponding bit in the GPT parallel data port. Bits in OC1D determine whether selected bits are to be set or cleared when an OC1 match occurs. Pins must be configured as outputs in order for the data in the register to be driven out on the corresponding pin. If an OC1 match and another output match occur at the same time and both attempt to alter the same pin, the OC1 function controls the state of the pin.

13.8.3.2 Forced Output Compare

Timer compare force register (CFORC) is used to make forced compares. The action taken as a result of a forced compare is the same as when an output compare match occurs, except that status flags are not set. Forced channels take programmed actions immediately after the write to CFORC.

The CFORC register is implemented as the upper byte of a 16-bit register which also contains the PWM control register C (PWMC). It can be accessed as eight bits or a word access can be used. Reads of force compare bits (FOC) have no meaning and always return zeros. These bits are self-negating.

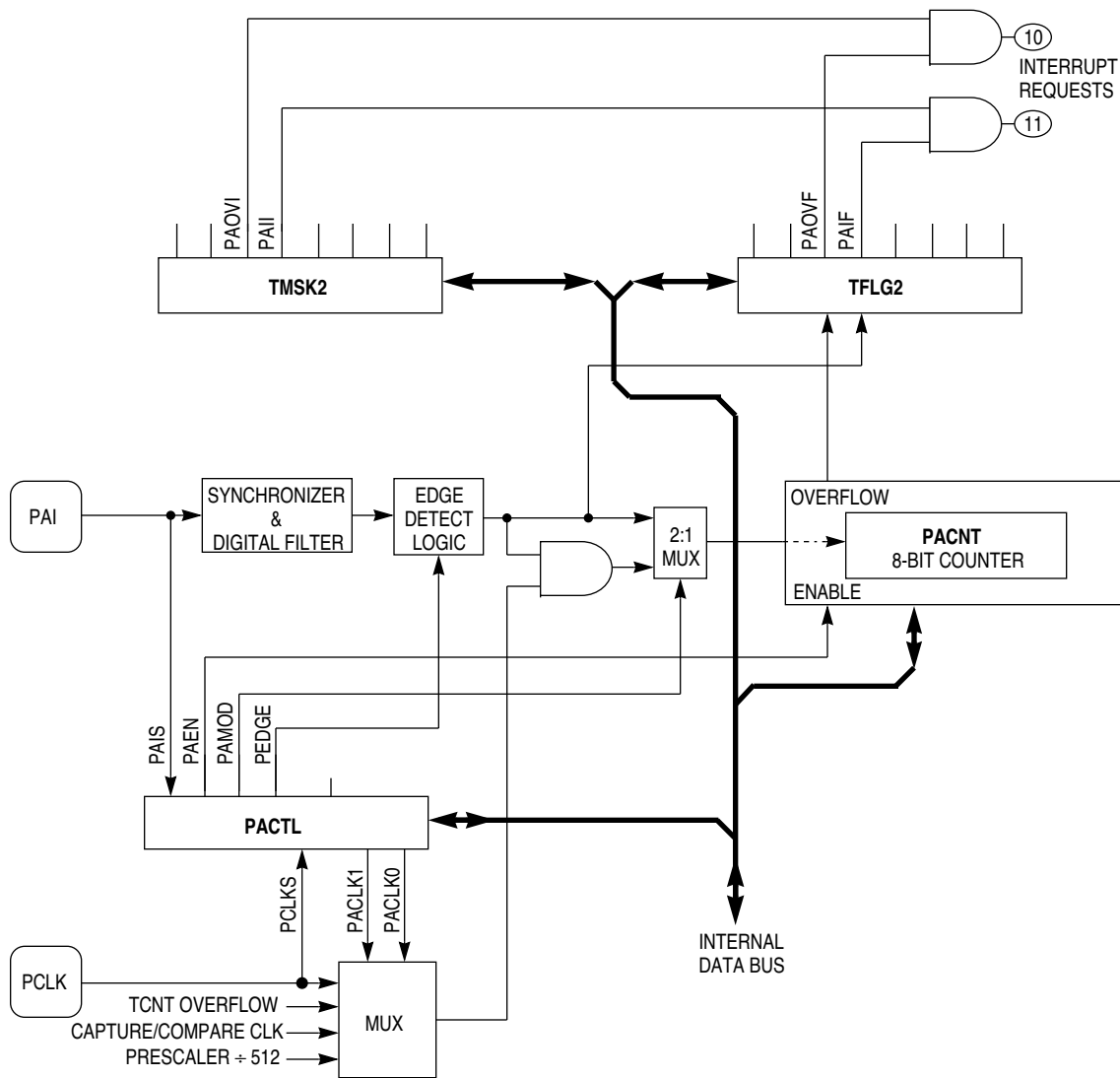
13.9 Input Capture 4/Output Compare 5

The IC4/OC5 pin can be used for input capture, output compare, or general-purpose I/O. A function enable bit (I4/O5) in the pulse accumulator control register (PACTL) configures the pin for input capture (IC4) or output compare function (OC5). Both bits are cleared during reset, configuring the pin as an input, but also enabling the OC5 function. IC4/OC5 I/O functions are controlled by DDGP7 in the port GP data direction register (DDRG7).

The 16-bit register (TI4/O5) used with the IC4/OC5 function acts as an input capture register or as an output compare register depending on which function is selected. When used as the input capture 4 register, it cannot be written to except in test or freeze mode.

13.10 Pulse Accumulator

The pulse accumulator counter (PACNT) is an 8-bit read/write up-counter. PACNT can operate in external event counting or gated time accumulation modes. **Figure 13-5** is a block diagram of the pulse accumulator.



16/32 PULSE ACC BLOCK

Figure 13-5 Pulse Accumulator Block Diagram

In event counting mode, the counter increments each time a selected transition of the pulse accumulator input(PAI) pin is detected. The maximum clocking rate is the system clock divided by four.

In gated time accumulation mode a clock increments PACNT while the PAI pin is in the active state. There are four possible clock sources.

Two bits in the TFLG2 register show pulse accumulator status. The pulse accumulator flag (PAIF) indicates that a selected edge has been detected at the PAI pin. The pulse accumulator overflow flag (PAOVF) indicates that the pulse accumulator count has rolled over from \$FF to \$00. This can be used to extend the range of the counter beyond eight bits.

An interrupt request can be made when each of the status flags is set. However, operation of the PAI interrupt depends on operating mode. In event counting mode, an interrupt is requested when the edge being counted is detected. In gated mode, the request is made when the PAI input changes from active to inactive state. Interrupt requests are enabled by the PAOVI and PAII bits in the TMSK2 register.

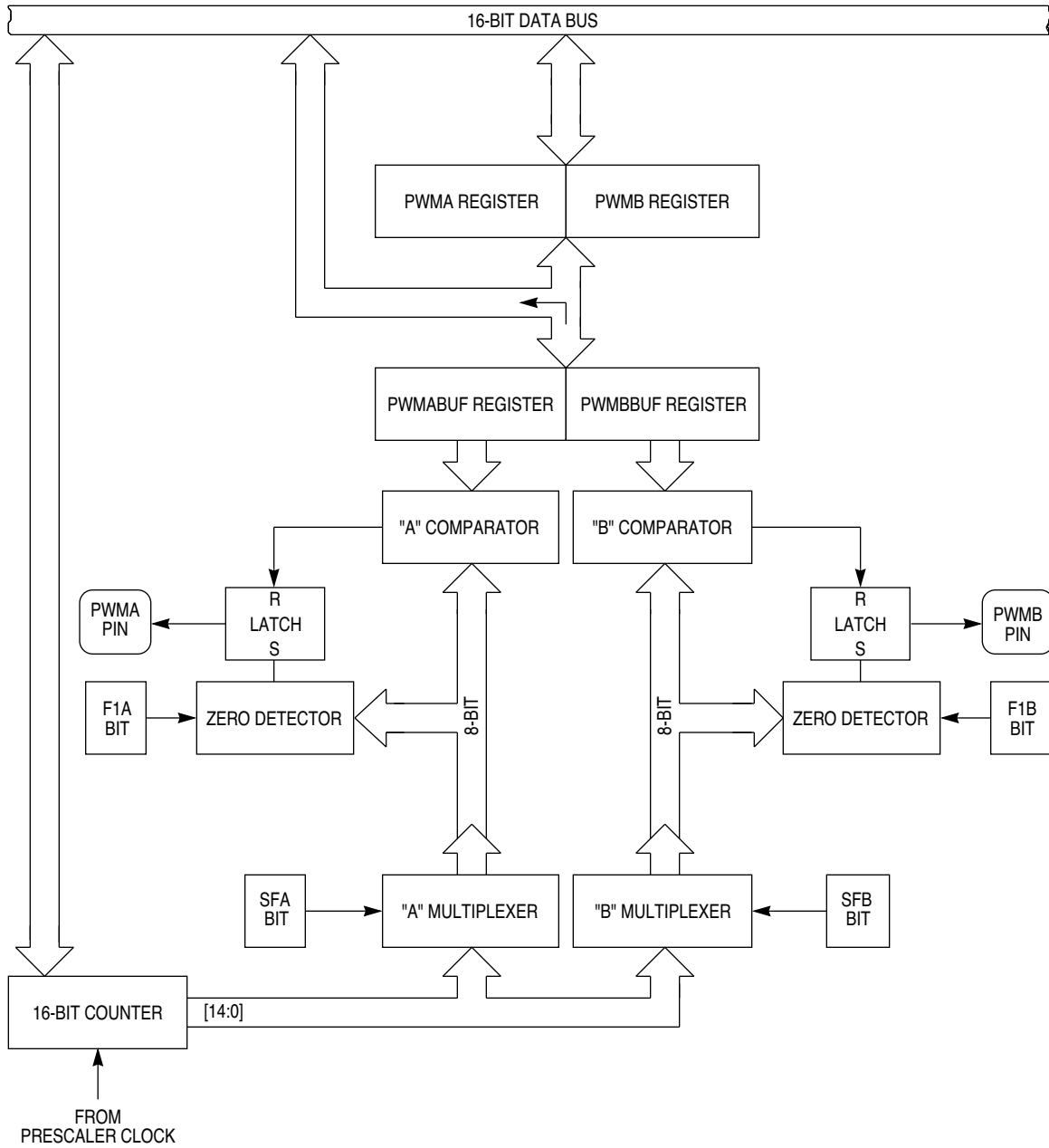
Bits in the pulse accumulator control register (PACTL) control the operation of PACNT. The PAMOD bit selects event counting or gated operation. In event counting mode, the PEDGE control bit determines whether a rising or falling edge is detected in gated mode, PEDGE specifies the active state of the gate signal. Bits PACLK[1:0] select the clock source used in gated mode.

PACTL and PACNT are implemented as one 16-bit register, but can be accessed with byte or word access cycles. Both registers are cleared at reset, but the PAIS and PCLKS bits show the state of the PAI and PCLK pins.

The PAI pin can also be used for general-purpose input. The logic state of the PAIS bit in PACTL shows the state of the pin.

13.11 Pulse-Width Modulation Unit

The pulse-width modulation (PWM) unit has two output channels, PWMA and PWMB. A single clock output from the prescaler multiplexer drives a 16-bit counter that is used to control both channels. **Figure 13-6** is a block diagram of the pulse-width modulation unit.



16/32 PWM BLOCK

Figure 13-6 PWM Block Diagram

The PWM unit has two operational modes. Fast mode uses a clocking rate equal to 1/256 of the prescaler output rate; slow mode uses a rate equal to 1/32768 of the prescaler output rate. The duty cycle ratios of the two PWM channels can be individually controlled by software. The PWMA pin can also output the clock that drives the PWM counter. PWM pins can also be used as output pins.

13.11.1 PWM Counter

The 16-bit counter in the PWM unit is similar to the timer counter in the capture/compare unit. During reset, the GPT is configured to use the system clock divided by two to drive the counter. Initialization software can reconfigure the counter to use one of seven prescaler outputs or an external clock input from the PCLK pin.

The PWM count register (PWMCNT) can be read at any time without affecting its value. A read must be a word access to ensure coherence, but byte accesses can be made if coherence is not needed. The counter is cleared to \$0000 during reset and is a read-only register except in freeze or test mode.

Fifteen of the sixteen counter bits are output to multiplexers A and B. The multiplexers provide the fast and slow modes of the PWM unit. Mode for PWMA is selected by the SFA bit in the PWM control register C (PWMC). Mode for PWMB is selected by the SFB bit in the same register.

PWMA, PWMB, and PPR[2:0] bits in PWMC control PWM output frequency. In fast mode, bits [7:0] of PWMCNT are used to clock the PWM logic; in slow mode, bits [14:7] are used. The period of a PWM output in slow mode is 128 times longer than the fast mode period. **Table 13-3** shows a range of PWM output frequencies using a 16.78 MHz system clock.

Table 13-3 16.78 MHz PWM Frequency Ranges

| PPR[2:0] | Prescaler Tap | SFA/B = 0 | SFA/B = 1 |
|----------|-------------------|-----------|------------|
| 000 | Div 2 = 8.39 MHz | 32.8 kHz | 256 Hz |
| 001 | Div 4 = 4.19 MHz | 16.4 kHz | 128 Hz |
| 010 | Div 8 = 2.10 MHz | 8.19 kHz | 64.0 Hz |
| 011 | Div 16 = 1.05 MHz | 4.09 kHz | 32.0 Hz |
| 100 | Div 32 = 524 kHz | 2.05 kHz | 16.0 Hz |
| 101 | Div 64 = 262 kHz | 1.02 kHz | 8.0 Hz |
| 110 | Div 128 = 131 kHz | 512 Hz | 4.0 Hz |
| 111 | PCLK | PCLK/256 | PCLK/32768 |

13.11.2 PWM Function

The pulse width values of the PWM outputs are determined by control registers PWMA and PWMB. PWMA and PWMB are 8-bit registers implemented as two bytes of a 16-bit register. PWMA and PWMB can be accessed as separate bytes or as one 16-bit register. A value of \$00 loaded into either register causes the corresponding output pin to output a continuous logic level zero signal. A value of \$80 causes the corresponding output signal to have a 50% duty cycle, and so on, to the maximum value of \$FF, which corresponds to an output which is at logic level one for 255/256 of the cycle.

Freescale Semiconductor, Inc.

Setting the F1A (for PWMA) or F1B (for PWMB) bits in the CFORC register causes the corresponding pin to output a continuous logic level one signal. The logic level of the associated pin does not change until the end of the current cycle. F1A and F1B are the lower two bits of CFORC, but can be accessed at the same word address as PWMC.

Data written to PWMA and PWMB is not used until the end of a complete cycle. This prevents spurious short or long pulses when register values are changed. The current duty cycle value is stored in the appropriate PWM buffer register (PWMBUFA or PWMBUFB). The new value is transferred from the PWM register to the buffer register at the end of the current cycle.

Registers PWMA, PWMB, and PWMC are reset to \$00 during reset. These registers may be written or read at any time. PWMC is implemented as the lower byte of a 16-bit register. The upper byte is the CFORC register. The buffer registers, PWMBUFA and PWMBUFB, are read-only at all times and may be accessed as separate bytes or as one 16-bit register.

Pins PWMA and PWMB can also be used for general-purpose output. The values of the F1A and F1B bits in PWMC are driven out on the corresponding PWM pins when normal PWM operation is disabled. When read, the F1A and F1B bits reflect the states of the PWMA and PWMB pins.

SECTION 14 TIME PROCESSOR UNIT 2

The following section provides general information on the time processor unit 2 (TPU2), an enhanced version of the TPU. The TPU2 is an intelligent, semi-autonomous microcontroller designed for timing control. Operating simultaneously with the CPU16, the TPU2 schedules tasks, processes microcode ROM instructions, accesses shared data with the CPU16, and performs input and output functions. **Figure 14-1** is a simplified block diagram of the TPU.

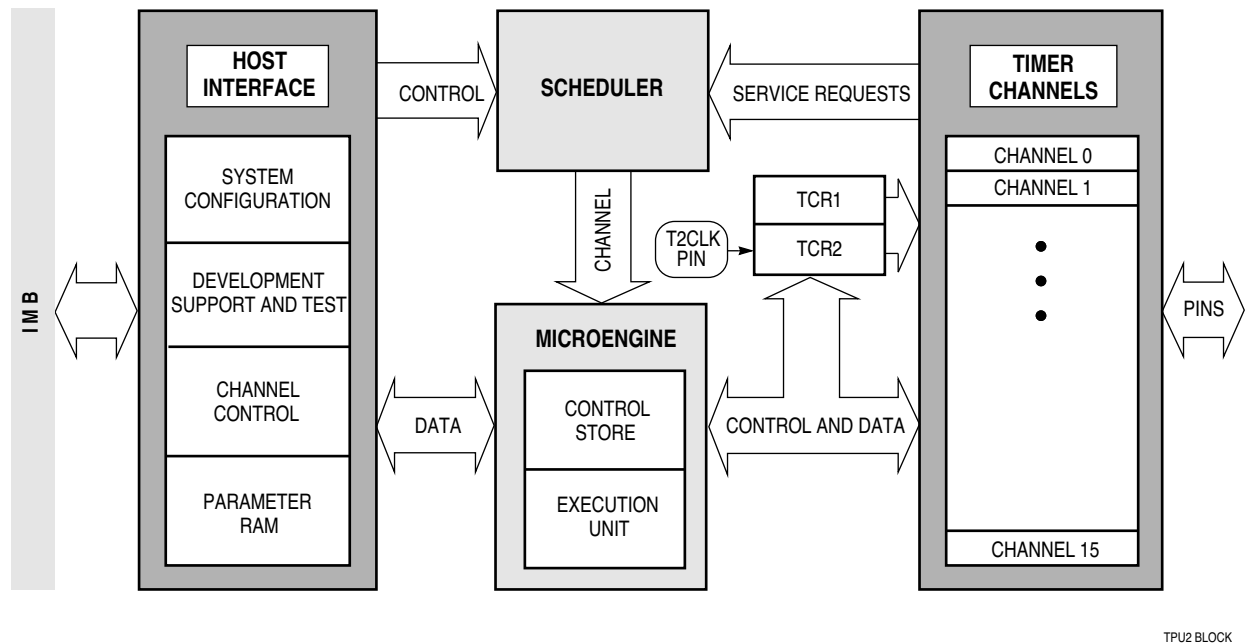


Figure 14-1 TPU2 Block Diagram

14.1 General

The TPU2 can be viewed as a special-purpose microcomputer that performs a programmable series of two operations, match and capture. Each occurrence of either operation is called an event. A programmed series of events is called a function. TPU functions replace software functions that would require CPU16 interrupt service. Two sets of microcode ROM functions are currently available for most MCU derivatives with the TPU2.

The A mask set (or original mask set) includes the following functions:

- Discrete input/output
- Input capture/input transition counter
- Output compare
- Pulse width modulation
- Synchronized pulse width modulation
- Period measurement with additional transition detect
- Period measurement with missing transition detect
- Position-synchronized pulse generator
- Stepper motor
- Period/pulse width accumulator
- Quadrature decode

The G mask set (or motion control mask set) includes the following functions:

- Table stepper motor
- New input capture/transition counter
- Queued output match
- Programmable time accumulator
- Multichannel pulse width modulation
- Fast quadrature decode
- Universal asynchronous receiver/transmitter
- Brushless motor communication
- Frequency measurement
- Hall effect decode

14.2 TPU2 Components

The TPU2 consists of two 16-bit time bases, sixteen independent timer channels, a task scheduler, a microengine, and a host interface. In addition, a dual-ported parameter RAM is used to pass parameters between the module and the CPU16.

14.2.1 Time Bases

Two 16-bit counters provide reference time bases for all output compare and input capture events. Prescalers for both time bases are controlled by the CPU16 via bit fields in the TPU2 module configuration register (TPUMCR) and TPU module configuration register 2 (TPUMCR2). Timer count registers TCR1 and TCR2 provide access to the current counter values. TCR1 and TCR2 can be read by TPU microcode, but are not directly available to the CPU16. The TCR1 clock is always derived from the system clock. The TCR2 clock can be derived from the system clock or from an external input via the T2CLK clock pin. The duration between active edges on the T2CLK clock pin must be at least nine system clocks.

14.2.2 Timer Channels

The TPU2 has 16 independent channels, each connected to an MCU pin. The channels have identical hardware with the exception of channel 15, which has additional output disable logic. Each channel consists of an event register and pin control logic. The event register contains a 16-bit capture register, a 16-bit compare/match register, and a 16-bit greater-than-or-equal-to comparator. The direction of each pin, either output or input, is determined by the TPU microengine. Each channel can either use the same time base for match and capture, or can use one time base for match and the other for capture.

14.2.3 Scheduler

When a service request is received, the scheduler determines which TPU2 channel is serviced by the microengine. A channel can request service for one of four reasons: for host service, for a link to another channel, for a match event, or for a capture event. The host system assigns each active channel one of three priorities: high, middle, or low. When multiple service requests are received simultaneously, a priority-scheduling mechanism grants service based on channel number and assigned priority.

14.2.4 Microengine

The microengine is composed of a control store and an execution unit. Control-store ROM holds the microcode for each factory-masked time function. When assigned to a channel by the scheduler, the execution unit executes microcode for a function assigned to that channel by the CPU16. Microcode can also be executed from the TPU flash EEPROM (TPUFLASH) module instead of the control store. The TPUFLASH allows emulation and development of custom TPU microcode without the generation of a microcode ROM mask. Refer to 14.3.6 Emulation Support for more information.

14.2.5 Host Interface

The host interface registers allow communication between the CPU16 and the TPU2, both before and during execution of a time function. The registers are accessible from the IMB through the TPU2 bus interface unit. Refer to 14.6 Host Interface Registers and D.10 Time Processor Unit 2 (TPU2) for register bit/field definitions and address mapping.

14.2.6 Parameter RAM

Parameter RAM occupies 256 bytes at the top of the system address map. Channel parameters are organized as 128 16-bit words. Channels 0 through 15 each have eight parameters. The parameter RAM address map in D.10.16 TPU2 Parameter RAM shows how parameter words are organized in memory.

The CPU16 specifies function parameters by writing to the appropriate RAM address. The TPU2 reads the RAM to determine channel operation. The TPU2 can also store information to be read by the CPU16 in the parameter RAM. Detailed descriptions of the parameters required by each time function are beyond the scope of this manual. Refer to the *TPU Reference Manual* (TPURM/AD) and the Motorola TPU Literature Package (TPULITPAK/D) for more information.

14.3 TPU Operation

All TPU2 functions are related to one of the two 16-bit time bases. Functions are synthesized by combining sequences of match events and capture events. Because the primitives are implemented in hardware, the TPU2 can determine precisely when a match or capture event occurs, and respond rapidly. An event register for each channel provides for simultaneity of match/capture event occurrences on all channels.

When a match or input capture event requiring service occurs, the affected channel generates a service request to the scheduler. The scheduler determines the priority of the request and assigns the channel to the microengine at the first available time. The microengine performs the function defined by the content of the control store or emulation RAM, using parameters from the parameter RAM.

14.3.1 Event Timing

Match and capture events are handled by independent channel hardware. This provides an event accuracy of one time-base clock period, regardless of the number of channels that are active. An event normally causes a channel to request service. The time needed to respond to and service an event is determined by which channels and the number of channels requesting service, the relative priorities of the channels requesting service, and the microcode execution time of the active functions. Worst-case event service time (latency) determines TPU2 performance in a given application. Latency can be closely estimated. For more information, refer to the *TPU Reference Manual* (TPURM/AD)

14.3.2 Channel Orthogonality

Most timer systems are limited by the fixed number of functions assigned to each pin. All TPU2 channels contain identical hardware and are functionally equivalent in operation, so that any channel can be configured to perform any time function. Any function can operate on the calling channel, and, under program control, on another channel determined by the program or by a parameter. The user controls the combination of time functions.

14.3.3 Interchannel Communication

The autonomy of the TPU2 is enhanced by the ability of a channel to affect the operation of one or more other channels without CPU16 intervention. Interchannel communication can be accomplished by issuing a link service request to another channel, by controlling another channel directly, or by accessing the parameter RAM of another channel.

14.3.4 Programmable Channel Service Priority

The TPU2 provides a programmable service priority level to each channel. Three priority levels are available. When more than one channel of a given priority requests service at the same time, arbitration is accomplished according to channel number. To prevent a single high-priority channel from permanently blocking other functions, other service requests of the same priority are performed in channel order after the lowest-numbered, highest-priority channel is serviced.

14.3.5 Coherency

For data to be coherent, all available portions of the data must be identical in age, or must be logically related. As an example, consider a 32-bit counter value that is read and written as two 16-bit words. The 32-bit value is read-coherent only if both 16-bit portions are updated at the same time, and write-coherent only if both portions take effect at the same time. Parameter RAM hardware supports coherent access of two adjacent 16-bit parameters. The host CPU must use a long-word operation to guarantee coherency.

14.3.6 Emulation Support

Although factory-programmed time functions can perform a wide variety of control tasks, they may not be ideal for all applications. The TPU2 provides emulation capability that allows the user to develop new time functions. Emulation mode is entered by setting the EMU bit in TPUMCR. In emulation mode, an auxiliary bus connection is made between the TPUFLASH and the TPU2, and access to TPUFLASH via the intermodule bus is disabled. A 9-bit address bus, a 32-bit data bus, and control lines transfer information between the modules. To ensure exact emulation, TPUFLASH module access timing remains consistent with access timing of the TPU microcode ROM control store.

To support changing TPU application requirements, Motorola has established a TPU function library. The function library is a collection of TPU functions written for easy assembly in combination with each other or with custom functions. Refer to Motorola Programming Note TPUPN00/D, *Using the TPU Function Library and TPU Emulation Mode* for information about developing custom functions and accessing the TPU function library. Refer to the *TPU Reference Manual* (TPURM/AD) and the Motorola TPU Literature Package (TPULITPAK/D) for more information about specific functions.

14.3.7 TPU2 Interrupts

Each of the TPU2 channels can generate an interrupt service request. Interrupts for each channel must be enabled by writing to the appropriate control bit in the channel interrupt enable register (CIER). The channel interrupt status register (CISR) contains one interrupt status flag per channel. Time functions set the flags. Setting a flag bit causes the TPU2 to make an interrupt service request if the corresponding channel interrupt enable bit is set and the interrupt request level is non-zero.

The value of the channel interrupt request level (CIRL) field in the TPU2 interrupt configuration register (TICR) determines the priority of all TPU2 interrupt service requests. CIRL values correspond to MCU interrupt request signals $\overline{IRQ}[7:1]$. $\overline{IRQ7}$ is the highest-priority request signal; $\overline{IRQ1}$ has the lowest priority. Assigning a value of %111 to CIRL causes $\overline{IRQ7}$ to be asserted when a TPU2 interrupt request is made; lower field values cause corresponding lower-priority interrupt request signals to be asserted. Assigning CIRL a value of %000 disables all interrupts.

The CPU16 recognizes only interrupt requests of a priority greater than the value contained in the interrupt priority (IP) mask in the status register. When the CPU16 acknowledges an interrupt request, the priority of the acknowledged interrupt is written to the IP mask and is driven out onto the IMB address lines.

When the IP mask value driven out on the address lines is the same as the CIRL value, the TPU2 contends for arbitration priority. The IARB field in TPUMCR contains the TPU arbitration number. Each module that can make an interrupt service request must be assigned a unique non-zero IARB value in order to implement an arbitration scheme. Arbitration is performed by means of serial assertion of IARB field bit values. The IARB of TPUMCR is initialized to \$0 during reset.

When the TPU2 wins arbitration, it must respond to the CPU16 interrupt acknowledge cycle by placing an interrupt vector number on the data bus. The vector number is used to calculate displacement into the exception vector table. Vectors are formed by concatenating the 4-bit value of the CIBV field in TICR with the 4-bit number of the channel requesting interrupt service. Since the CIBV field has a reset value of \$0, it must be assigned a value corresponding to the upper nibble of a block of 16 user-defined vector numbers before TPU2 interrupts are enabled. Otherwise, a TPU2 interrupt service request could cause the CPU16 to take one of the reserved vectors in the exception vector table.

For more information about the exception vector table, refer to 4.13.1 Exception Vectors. Refer to 5.8 Interrupts for further information about interrupts.

14.4 A Mask Set Time Functions

The following paragraphs describe factory-programmed time functions implemented in the A mask set TPU microcode ROM. A complete description of the functions is beyond the scope of this manual. Refer to the *TPU Reference Manual (TPURM/AD)* for additional information.

14.4.1 Discrete Input/Output (DIO)

When a pin is used as a discrete input, a parameter indicates the current input level and the previous 15 levels of a pin. Bit 15, the most significant bit of the parameter, indicates the most recent state. Bit 14 indicates the next most recent state, and so on. The programmer can choose one of the three following conditions to update the parameter: 1) when a transition occurs, 2) when the CPU16 makes a request, or 3) when a rate specified in another parameter is matched. When a pin is used as a discrete output, it is set high or low only upon request by the CPU16.

Refer to TPU programming note *Discrete Input/Output (DIO) TPU Function* (TPUPN18/D) for more information.

14.4.2 Input Capture/Input Transition Counter (ITC)

Any channel of the TPU2 can capture the value of a specified TCR upon the occurrence of each transition or specified number of transitions and then generate an interrupt request to notify the CPU16. A channel can perform input captures continually, or a channel can detect a single transition or specified number of transitions, then cease channel activity until reinitialization. After each transition or specified number of transitions, the channel can generate a link to a sequential block of up to eight channels. The user specifies a starting channel of the block and the number of channels within the block. The generation of links depends on the mode of operation. In addition, after each transition or specified number of transitions, one byte of the parameter RAM (at an address specified by channel parameter) can be incremented and used as a flag to notify another channel of a transition.

Refer to TPU programming note *Input Capture/Input Transition Counter (ITC) TPU Function* (TPUPN16/D) for more information.

14.4.3 Output Compare (OC)

The output compare function generates a rising edge, a falling edge, or a toggle of the previous edge in one of three ways:

1. Immediately upon CPU16 initiation, thereby generating a pulse with a length equal to a programmable delay time.
2. At a programmable delay time from a user-specified time.
3. As a continuous square wave. Upon receiving a link from a channel, OC references, without CPU16 interaction, a specifiable period and calculates an offset:

$$\text{OFFSET} = \text{PERIOD} \cdot \text{RATIO}$$

where “RATIO” is a parameter supplied by the user.

This algorithm generates a 50% duty-cycle continuous square wave with each high/low time equal to the calculated offset. Due to offset calculation, there is an initial link time before continuous pulse generation begins.

Refer to TPU programming note *Output Compare (OC) TPU Function* (TPUPN12/D) for more information.

14.4.4 Pulse-Width Modulation (PWM)

The TPU2 can generate a pulse-width modulated waveform with any duty cycle from zero to 100% (within the resolution and latency capability of the TPU2). To define the PWM, the CPU16 provides one parameter that indicates the period and another parameter that indicates the high time. Updates to one or both of these parameters can direct the waveform change to take effect immediately, or coherently beginning at the next low-to-high transition of the pin.

Refer to TPU programming note *Pulse-Width Modulation (PWM) TPU Function* (TPUPN17/D) for more information.

14.4.5 Synchronized Pulse-Width Modulation (SPWM)

The TPU2 generates a PWM waveform in which the CPU16 can change the period and/or high time at any time. When synchronized to a time function on a second channel, the synchronized PWM low-to-high transitions have a time relationship to transitions on the second channel.

Refer to TPU programming note *Synchronized Pulse-Width Modulation (SPWM) TPU Function* (TPUPN19/D) for more information.

14.4.6 Period Measurement with Additional Transition Detect (PMA)

This function and the following function are used primarily in toothed-wheel speed-sensing applications, such as monitoring rotational speed of an engine. The period measurement with additional transition detect function allows for a special-purpose 23-bit period measurement. It can detect the occurrence of an additional transition (caused by an extra tooth on the sensed wheel) indicated by a period measurement that is less than a programmable ratio of the previous period measurement.

Once detected, this condition can be counted and compared to a programmable number of additional transitions detected before TCR2 is reset to \$FFFF. Alternatively, a byte at an address specified by a channel parameter can be read and used as a flag. A non-zero value of the flag indicates that TCR2 is to be reset to \$FFFF once the next additional transition is detected.

Refer to TPU programming note *Period Measurement, Additional Transition Detect (PMA) TPU Function* (TPUPN15A/D) for more information.

14.4.7 Period Measurement with Missing Transition Detect (PMM)

Period measurement with missing transition detect allows a special-purpose 23-bit period measurement. It detects the occurrence of a missing transition (caused by a missing tooth on the sensed wheel), indicated by a period measurement that is greater than a programmable ratio of the previous period measurement. Once detected, this condition can be counted and compared to a programmable number of additional transitions detected before TCR2 is reset to \$FFFF. In addition, one byte at an address specified by a channel parameter can be read and used as a flag. A non-zero value of the flag indicates that TCR2 is to be reset to \$FFFF once the next missing transition is detected.

Refer to TPU programming note *Period Measurement, Missing Transition Detect (PMM) TPU Function* (TPUPN15B/D) for more information.

14.4.8 Position-Synchronized Pulse Generator (PSP)

Any channel of the TPU2 can generate an output transition or pulse, which is a projection in time based on a reference period previously calculated on another channel. Both TCRs are used in this algorithm: TCR1 is internally clocked, and TCR2 is clocked by a position indicator in the user's device. An example of a TCR2 clock source is a sensor that detects special teeth on the flywheel of an automobile using PMA or PMM. The teeth are placed at known degrees of engine rotation; hence, TCR2 is a coarse representation of engine degrees. For example, each count represents some number of degrees.

Up to 15 position-synchronized pulse generator function channels can operate with a single input reference channel executing a PMA or PMM input function. The input channel measures and stores the time period between the flywheel teeth and resets TCR2 when the engine reaches a reference position. The output channel uses the period calculated by the input channel to project output transitions at specific engine degrees. Because the flywheel teeth might be 30 or more degrees apart, a fractional multiplication operation resolves down to the desired degrees. Two modes of operation allow pulse length to be determined either by angular position or by time.

Refer to TPU programming note *Position-Synchronized Pulse Generator (PSP) TPU Function* (TPUPN14/D) for more information.

14.4.9 Stepper Motor (SM)

The stepper motor control algorithm provides for linear acceleration and deceleration control of a stepper motor with a programmable number of step rates of up to 14. Any group of channels, up to eight, can be programmed to generate the control logic necessary to drive a stepper motor.

The time period between steps (P) is defined as:

$$P(r) = K1 - K2 \cdot r$$

where r is the current step rate (1–14), and K1 and K2 are supplied as parameters.

After providing the desired step position in a 16-bit parameter, the CPU16 issues a step request. Next, the TPU2 steps the motor to the desired position through an acceleration/deceleration profile defined by parameters. The parameter indicating the desired position can be changed by the CPU16 while the TPU2 is stepping the motor. This algorithm changes the control state every time a new step command is received.

A 16-bit parameter initialized by the CPU16 for each channel defines the output state of the associated pin. The bit pattern written by the CPU16 defines the method of stepping, such as full stepping or half stepping. With each transition, the 16-bit parameter rotates one bit. The period of each transition is defined by the programmed step rate.

Refer to TPU programming note *Stepper Motor (SM) TPU Function (TPUPN13/D)* for more information.

14.4.10 Period/Pulse-Width Accumulator (PPWA)

The period/pulse-width accumulator algorithm accumulates a 16-bit or 24-bit sum of either the period or the pulse width of an input signal over a programmable number of periods or pulses (from one to 255). After an accumulation period, the algorithm can generate a link to a sequential block of up to eight channels. The user specifies a starting channel of the block and number of channels within the block. Generation of links depends on the mode of operation. Any channel can be used to measure an accumulated number of periods of an input signal. A maximum of 24 bits can be used for the accumulation parameter. From one to 255 period measurements can be made and summed with the previous measurement(s) before the TPU2 interrupts the CPU, allowing instantaneous or average frequency measurement, and the latest complete accumulation (over the programmed number of periods).

The pulse width (high-time portion) of an input signal can be measured (up to 24 bits) and added to a previous measurement over a programmable number of periods (one to 255). This provides an instantaneous or average pulse-width measurement capability, allowing the latest complete accumulation (over the specified number of periods) to always be available in a parameter. By using the output compare function in conjunction with PPWA, an output signal can be generated that is proportional to a specified input signal. The ratio of the input and output frequency is programmable. One or more output signals with different frequencies, yet proportional and synchronized to a single input signal, can be generated on separate channels.

Refer to TPU programming note *Period/Pulse-Width Accumulator (PPWA) TPU Function (TPUPN11/D)* for more information.

14.4.11 Quadrature Decode (QDEC)

The quadrature decode function uses two channels to decode a pair of out-of-phase signals in order to present the CPU16 with directional information and a position value. It is particularly suitable for use with slotted encoders employed in motor control. The function derives full resolution from the encoder signals and provides a 16-bit position counter with rollover/under indication via an interrupt.

The counter in parameter RAM is updated when a valid transition is detected on either one of the two inputs. The counter is incremented or decremented depending on the lead/lag relationship of the two signals at the time of servicing the transition. The user can read or write the counter at any time. The counter is free running, overflowing to \$0000 or underflowing to \$FFFF depending on direction.

The QDEC function also provides a time stamp referenced to TCR1 for every valid signal edge and the ability for the host CPU to obtain the latest TCR1 value. This feature allows position interpolation by the host CPU between counts at very slow count rates.

Refer to TPU programming note *Quadrature Decode (QDEC) TPU Function (TPUPN20/D)* for more information.

14.5 G Mask Set Time Functions

The following paragraphs describe factory-programmed time functions implemented in the motion control microcode ROM. A complete description of the functions is beyond the scope of this manual.

Refer to the *TPU Reference Manual* (TPURM/AD) for additional information.

14.5.1 Table Stepper Motor (TSM)

The TSM function provides for acceleration and deceleration control of a stepper motor with a programmable number of step rates up to 58. TSM uses a table in parameter RAM, rather than an algorithm, to define the stepper motor acceleration profile, allowing the user to fully define the profile. In addition, a slew rate parameter allows fine control of the terminal running speed of the motor independent of the acceleration table. The CPU need only write a desired position, and the TPU2 accelerates, slews, and decelerates the motor to the required position. Full and half step support is provided for two-phase motors. In addition, a slew rate parameter allows fine control of the terminal running speed of the motor independent of the acceleration table.

Refer to TPU programming note *Table Stepper Motor (TSM) TPU Function* (TPUPN04/D) for more information.

14.5.2 New Input Capture/Transition Counter (NITC)

Any channel of the TPU2 can capture the value of a specified TCR or any specified location in parameter RAM upon the occurrence of each transition or specified number of transitions, and then generate an interrupt request to notify the CPU16. The times of the most recent two transitions are maintained in parameter RAM. A channel can perform input captures continually, or a channel can detect a single transition or specified number of transitions, ceasing channel activity until reinitialization. After each transition or specified number of transitions, the channel can generate a link to other channels.

Refer to TPU programming note *New Input Capture/Transition Counter (NITC) TPU Function* (TPUPN08/D) for more information.

14.5.3 Queued Output Match (QOM)

QOM can generate single or multiple output match events from a table of offsets in parameter RAM. Loop modes allow complex pulse trains to be generated once, a specified number of times, or continuously. The function can be triggered by a link from another TPU2 channel. In addition, the reference time for the sequence of matches can be obtained from another channel. QOM can generate pulse width modulated waveforms, including waveforms with high times of 0% or 100%. QOM also allows a TPU2 channel to be used as a discrete output pin.

Refer to TPU programming note *Queued Output Match (QOM) TPU Function* (TPUPN01/D) for more information.

14.5.4 Programmable Time Accumulator (PTA)

PTA accumulates a 32-bit sum of the total high time, low time, or period of an input signal over a programmable number of periods or pulses. The accumulation can start on a rising or falling edge. After the specified number of periods or pulses, PTA generates an interrupt request and optionally generates links to other channels.

From one to 255 period measurements can be made and summed with the previous measurement(s) before the TPU2 interrupts the CPU16, providing instantaneous or average frequency measurement capability, and the latest complete accumulation (over the programmed number of periods).

Refer to TPU programming note *Programmable Time Accumulator (PTA) TPU Function* (TPUPN06/D) for more information.

14.5.5 Multichannel Pulse-Width Modulation (MCPWM)

MCPWM generates pulse-width modulated outputs with full 0% to 100% duty cycle range independent of other TPU2 activity. This capability requires two TPU2 channels plus an external gate for one PWM channel. (A simple one-channel PWM capability is supported by the QOM function.)

Multiple PWMs generated by MCPWM have two types of high time alignment: edge aligned and center aligned. Edge aligned mode uses $n + 1$ TPU2 channels for n PWMs; center aligned mode uses $2n + 1$ channels. Center aligned mode allows a user-defined “dead time” to be specified so that two PWMs can be used to drive an H-bridge without destructive current spikes. This feature is important for motor control applications.

Refer to TPU programming note *Multichannel Pulse-Width Modulation (MCPWM) TPU Function* (TPUPN05/D) for more information.

14.5.6 Fast Quadrature Decode (FQD)

FQD is a position feedback function for motor control. It decodes the two signals from a slotted encoder to provide the CPU16 with a 16-bit free running position counter. FQD incorporates a “speed switch” which disables one of the channels at high speed, allowing faster signals to be decoded. A time stamp is provided on every counter update to allow position interpolation and better velocity determination at low speed or when low resolution encoders are used. The third index channel provided by some encoders is handled by the NITC function.

Refer to TPU programming note *Fast Quadrature Decode (FQD) TPU Function* (TPUPN02/D) for more information.

14.5.7 Universal Asynchronous Receiver/Transmitter (UART)

The UART function uses one or two TPU2 channels to provide asynchronous serial communication. Data word length is programmable from one to 14 bits. The function supports detection or generation of even, odd, and no parity. Baud rate is freely programmable and can be higher than 100 Kbaud. Eight bidirectional UART channels running in excess of 9600 baud can be implemented.

Refer to TPU programming note *Universal Asynchronous Receiver/Transmitter (UART) TPU Function* (TPUPN07/D) for more information.

14.5.8 Brushless Motor Commutation (COMM)

This function generates the phase commutation signals for a variety of brushless motors, including three-phase brushless DC motors. It derives the commutation state directly from the position decoded in FQD, thus eliminating the need for hall effect sensors.

The state sequence is implemented as a user-configurable state machine, thus providing a flexible approach with other general applications. An offset parameter is provided to allow all the switching angles to be advanced or retarded on the fly by the CPU16. This feature is useful for torque maintenance at high speeds.

Refer to TPU programming note *Brushless Motor Commutation (COMM) TPU Function* (TPUPN09/D) for more information.

14.5.9 Frequency Measurement (FQM)

FQM counts the number of input pulses to a TPU2 channel during a user-defined window period. The function has single shot and continuous modes. No pulses are lost between sample windows in continuous mode. The user selects whether to detect pulses on the rising or falling edge. This function is intended for high speed measurement; measurement of slow pulses with noise rejection can be made with PTA.

Refer to TPU programming note *Frequency Measurement (FQM) TPU Function* (TPUPN03/D) for more information.

14.5.10 Hall Effect Decode (HALLD)

This function decodes the sensor signals from a brushless motor, along with a direction input from the CPU16, into a state number. The function supports two- or three-sensor decoding. The decoded state number is written into a COMM channel, which outputs the required commutation drive signals. In addition to brushless motor applications, the function can have more general applications, such as decoding option switches.

Refer to TPU programming note *Hall Effect Decode (HALLD) TPU Function* (TPUPN10/D) for more information.

14.6 Host Interface Registers

The TPU2 memory map contains three groups of registers:

- System configuration registers
- Channel control and status registers
- Development support and test verification registers

All registers except the channel interrupt status register (CISR) must be read or written by means of word accesses. The address space of the TPU2 memory map occupies 512 bytes. Unused registers within the 512-byte address space return zeros when read.

14.6.1 System Configuration Registers

The TPU2 configuration control registers, TPUMCR, TPUMCR2, and TICR, define TPU2 module attributes. Refer to D.10.1 TPU2 Module Configuration Register, D.10.15 TPUMCR2 Module Configuration Register 2 and D.10.5 TPU2 Interrupt Configuration Register for more information about TPUMCR, TPUMCR2, and TICR.

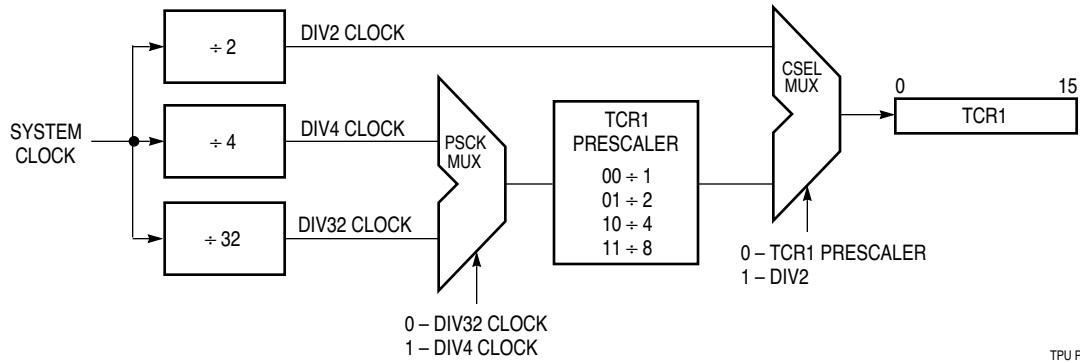
14.6.1.1 Prescaler Control for TCR1

Timer count register 1 (TCR1) is clocked from the output of a prescaler. Two fields (PSCK, TCR1P) in TPUMCR and one field (DIV2) in TPUMCR2 control TCR1. The prescaler's input is the internal TPU system clock divided by either 2, 4, or 32, depending on the value of the PSCK bit and the DIV2 bit. If the DIV2 bit is one, the TCR1 counter increments at a rate of the internal clock divided by two. If DIV2 is zero, the TCR1 increment rate is defined by the values in **Table 14-1**. The prescaler divides this input by 1, 2, 4, or 8, depending on the value of TCR1P. Channels using TCR1 have the capability to resolve down to the TPU system clock divided by 4.

Table 14-1 TCR1 Prescaler Control Bits

| TCR1P[1:0] | Prescaler Divide By | TCR1 Clock Input | |
|------------|---------------------|---------------------------|--------------------------|
| | | PSCK = 0 | PSCK = 1 |
| 00 | 1 | $f_{\text{sys}} \div 32$ | $f_{\text{sys}} \div 4$ |
| 01 | 2 | $f_{\text{sys}} \div 64$ | $f_{\text{sys}} \div 8$ |
| 10 | 4 | $f_{\text{sys}} \div 128$ | $f_{\text{sys}} \div 16$ |
| 11 | 8 | $f_{\text{sys}} \div 256$ | $f_{\text{sys}} \div 32$ |

Figure 14-2 shows a diagram of the TCR1 prescaler control block.



TPU PRE BLOCK 1

Figure 14-2 TCR1 Prescaler Control

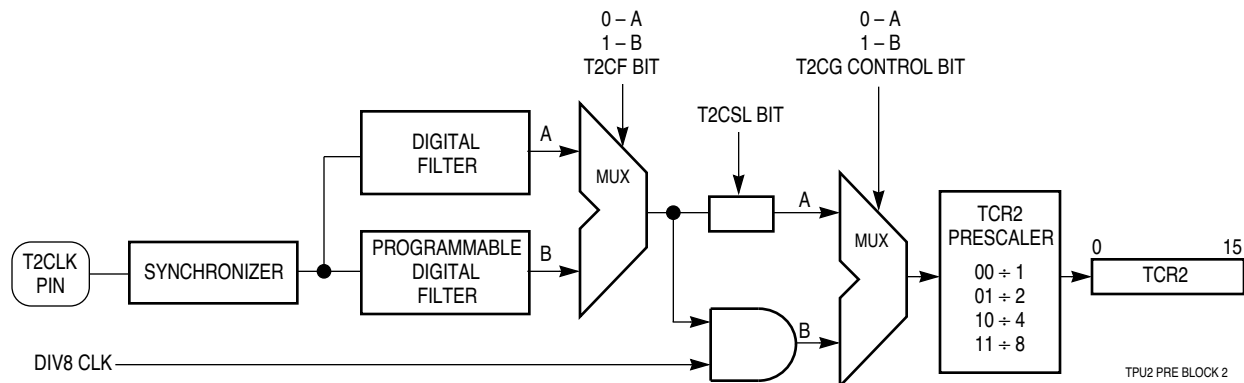
14.6.1.2 Prescaler Control for TCR2

Timer count register 2 (TCR2), like TCR1, is clocked from the output of a prescaler. The T2CG (TCR2 clock/gate control) bit and the T2CSL (TCR2 counter clock edge) bit in TPUMCR determine T2CR2 pin functions. Refer to **Table 14-2**.

Table 14-2 TCR2 Counter Clock Source

| T2CSL | T2CG | TCR2 Clock |
|-------|------|------------------------------|
| 0 | 0 | Rise transition T2CLK |
| 0 | 1 | Gated system clock |
| 1 | 0 | Fall transition T2CLK |
| 1 | 1 | Rise & fall transition T2CLK |

The function of the T2CG bit is shown in **Figure 14-3**.



TPU2 PRE BLOCK 2

Figure 14-3 TCR2 Prescaler Control

When T2CG is set, the external T2CLK pin functions as a gate of the DIV8 clock (the TPU2 system clock divided by eight). In this case, when the external TCR2 pin is low, the DIV8 clock is blocked, preventing it from incrementing TCR2. When the external TCR2 pin is high, TCR2 is incremented at the frequency of the DIV8 clock. When T2CG is cleared, an external clock from the TCR2 pin, which has been synchronized and fed through a digital filter, increments TCR2. The duration between active edges on the T2CLK clock pin must be at least nine system clocks.

The TCR2 field in TPUMCR specifies the value of the prescaler: 1, 2, 4, or 8. Channels using TCR2 have the capability to resolve down to the TPU2 system clock divided by eight. **Table 14-3** is a summary of prescaler output.

Table 14-3 TCR2 Prescaler Control

| TCR2 Prescaler | Divide By | Internal Clock Divided By | External Clock Divided By |
|----------------|-----------|---------------------------|---------------------------|
| 00 | 1 | 8 | 1 |
| 01 | 2 | 16 | 2 |
| 10 | 4 | 32 | 4 |
| 11 | 8 | 64 | 8 |

14.6.1.3 Emulation Control

Asserting the EMU bit in TPUMCR places the TPU in emulation mode. In emulation mode, the TPU executes microinstructions from TPUFLASH exclusively. Access to the TPUFLASH module through the IMB is blocked, and the TPUFLASH module is dedicated for use by the TPU2. After reset, EMU can be written only once.

When the TPU2 module is used with a flash EEPROM, the EMU bit is cleared out of reset if the shadow bit for bit 4 of the flash EEPROM module configuration register (FEEMCR) for the 4-Kbyte flash block is set. If the shadow bit for bit 4 of the FEEMCR for the 4-Kbyte flash block is clear, the EMU bit is set out of reset.

14.6.1.4 Low-Power Stop Control

If the STOP bit in TPUMCR is set, the TPU2 shuts down its internal clocks, shutting down the internal microengine. TCR1 and TCR2 cease to increment and retain the last value before the stop condition was entered. The TPU2 asserts the stop flag (STF) in TPUMCR to indicate that it has stopped.

14.6.2 Channel Control Registers

The channel control and status registers enable the TPU2 to control channel interrupts, assign time functions to be executed on a specified channel, or select the mode of operation or the type of host service request for the time function specified. Refer to **Table 14-5**.

14.6.2.1 Channel Interrupt Enable and Status Registers

The channel interrupt enable register (CIER) allows the CPU16 to enable or disable the ability of individual TPU2 channels to request interrupt service. Setting the appropriate bit in the register enables a channel to make an interrupt service request; clearing a bit disables the interrupt.

The channel interrupt status register (CISR) contains one interrupt status flag per channel. Time functions specify via microcode when an interrupt flag is set. Setting a flag causes the TPU2 to make an interrupt service request if the corresponding CIER bit is set and the CIRL field has a non-zero value. To clear a status flag, read CISR, then write a zero to the appropriate bit. CISR is the only TPU2 register that can be accessed on a byte basis.

14.6.2.2 Channel Function Select Registers

Encoded 4-bit fields within the channel function select registers specify one of 16 time functions to be executed on the corresponding channel. Encodings for predefined functions in the TPU ROM are found in **Table 14-4**.

Table 14-4 TPU2 Function Encodings

| A Mask Set | | G Mask Set | |
|---|---------------|---|---------------|
| Function Name | Function Code | Function Name | Function Code |
| PPWA Period/pulse width accumulator | \$F | PTA Programmable time accumulator | \$F |
| OC Output compare | \$E | QOM Queued output match | \$E |
| SM Stepper motor | \$D | TSM Table stepper motor | \$D |
| PSP Position-synchronized pulse generator | \$C | FQM Frequency measurement | \$C |
| PMA/PMM Period measurement with additional/missing transition detect | \$B | UART Universal asynchronous receiver/transmitter | \$B |
| ITC Input capture/input transition counter | \$A | NITC New input transition counter | \$A |
| PWM Pulse width modulation | \$9 | COMM Multiphase motor commutation | \$9 |
| DIO Discrete input/output | \$8 | HALLD Hall effect decode | \$8 |
| SPWM Synchronized pulse width modulation | \$7 | — | — |
| QDEC Quadrature decode | \$6 | — | — |

14.6.2.3 Host Sequence Registers

The host sequence field selects the mode of operation for the time function selected on a given channel. The meaning of the host sequence bits depends on the time function specified. Refer to **Table 14-5**, which is a summary of the host sequence and host service request bits for each time function. Refer to the *TPU Reference Manual* (TPURM/AD) and the Motorola TPU Literature Package (TPULITPAK/D) for more information.

14.6.2.4 Host Service Registers

The host service request field selects the type of host service request for the time function selected on a given channel. The meaning of the host service request bits is determined by time function microcode. Refer to the *TPU Reference Manual* (TPURM/AD) and the Motorola TPU Literature Package (TPULITPAK/D) for more information.

A host service request field of %00 signals the CPU that service is completed and that there are no further pending host service requests. The host can request service on a channel by writing the corresponding host service request field to one of three non-zero states. It is imperative for the CPU to monitor the host service request register and wait until the TPU2 clears the service request for a channel before changing any parameters or issuing a new service request to the channel.

14.6.2.5 Channel Priority Registers

The channel priority registers (CPR1, CPR2) assign one of three priority levels to a channel or disable the channel. **Table 14-5** indicates the number of time slots guaranteed for each channel priority encoding.

Table 14-5 Channel Priority Encodings

| CHX[1:0] | Service | Guaranteed Time Slots |
|----------|----------|-----------------------|
| 00 | Disabled | — |
| 01 | Low | 1 out of 7 |
| 10 | Middle | 2 out of 7 |
| 11 | High | 4 out of 7 |

14.6.3 Development Support and Test Registers

These registers are used for custom microcode development or for factory test. Describing the use of these registers is beyond the scope of this manual. Register descriptions are provided in D.10 Time Processor Unit 2 (TPU2). Refer to the *TPU Reference Manual* (TPURM/AD) for more information.

APPENDIX A ELECTRICAL CHARACTERISTICS

Table A-1 Maximum Ratings

| Num | Rating | Symbol | Value | Unit |
|-----|--|-----------|--|--------------------|
| 1 | Supply Voltage ^{1, 2, 3} | V_{DD} | - 0.3 to + 6.5 | V |
| 2 | Input Voltage ^{1, 2, 3, 4, 5, 7} | V_{in} | - 0.3 to + 6.5 | V |
| 3 | Instantaneous Maximum Current Single pin limit (applies to all pins) ^{1, 3, 5, 6} | I_D | 25 | mA |
| 4 | Operating Maximum Current Digital Input Disruptive Current ^{3, 5, 6, 7, 8} $V_{NEGCLAMP} \approx -0.3\text{ V}$ $V_{POSCLAMP} \approx V_{DD} + 0.3\text{ V}$ | I_{ID} | - 500 to + 500 | μA |
| 5 | Flash EEPROM Program/Erase Supply Voltage ^{9, 10} | V_{FPE} | $(V_{DD} - 0.35)$ to +12.6 | V |
| 6 | Operating Temperature Range C Suffix V Suffix M Suffix | T_A | T_L to T_H - 40 to + 85 - 40 to + 105 - 40 to + 125 | $^{\circ}\text{C}$ |
| 7 | Storage Temperature Range | T_{stg} | - 55 to + 150 | $^{\circ}\text{C}$ |

NOTES:

1. Permanent damage can occur if maximum ratings are exceeded. Exposure to voltages or currents in excess of recommended values affects device reliability. Device modules may not operate normally while being exposed to electrical extremes.
2. Although sections of the device contain circuitry to protect against damage from high static voltages or electrical fields, take normal precautions to avoid exposure to voltages higher than maximum-rated voltages.
3. This parameter is periodically sampled rather than 100% tested.
4. All pins except TSC.
5. Input must be current limited to the value specified. To determine the value of the required current-limiting resistor, calculate resistance values for positive and negative clamp voltages, then use the larger of the two values.
6. Power supply must maintain regulation within operating V_{DD} range during instantaneous and operating maximum current conditions.
7. All functional non-supply pins are internally clamped to V_{SS} for transitions below V_{SS} . All functional pins except EXTAL, TSC, and XFC are internally clamped to V_{DD} for transitions below V_{DD} .
8. Total input current for all digital input-only and all digital input/output pins must not exceed 10 mA. Exceeding this limit can cause disruption of normal operation.
9. V_{FPE} must not be raised to programming level while V_{DD} is below specified minimum value. V_{FPE} must not be reduced below minimum specified value while V_{DD} is applied.
10. Flash EEPROM modules can be damaged by power-on and power-off V_{FPE} transients. Maximum power-on overshoot tolerance is 13.5 V for periods of less than 30 ns.

Table A-2 Typical Ratings

| Num | Rating | Symbol | Value | Unit |
|-----|--|-------------|-------------------------|--------------------------------|
| 1 | Supply Voltage | V_{DD} | 5.0 | V |
| 2 | Operating Temperature | T_A | 25 | °C |
| 3 | MC68HC16Y3 V_{DD} Supply Current RUN LPSTOP, External clock, maximum f_{sys} | I_{DD} | 180 5 | mA mA |
| 3A | MC68HC916Y3 V_{DD} Supply Current RUN LPSTOP, External clock, maximum f_{sys} | I_{DD} | TBD TBD | mA mA |
| 4 | Clock Synthesizer Operating Voltage | V_{DDSYN} | 5.0 | V |
| 5 | V_{DDSYN} Supply Current VCO on, maximum f_{sys} External Clock, maximum f_{sys} LPSTOP, VCO off V_{DD} powered down | I_{DDSYN} | 1.0 4.0 250 50 | mA mA μ A μ A |
| 6 | RAM Standby Voltage | V_{SB} | 3.0 | V |
| 7 | RAM Standby Current Normal RAM operation Standby operation | I_{SB} | 7.0 40 | μ A μ A |
| 8 | MC68HC16Y3 Power Dissipation | P_D | 905 | mW |
| 8A | MC68HC916Y3 Power Dissipation | P_D | TBD | mW |

Table A-3 Thermal Characteristics

| Num | Characteristic | Symbol | Value | Unit |
|-----|---|---------------|-------|-----------------------------|
| 1 | Thermal Resistance Plastic 160-Pin Surface Mount | Θ_{JA} | 37 | $^{\circ}\text{C}/\text{W}$ |

The average chip-junction temperature (T_J) in C can be obtained from:

$$T_J = T_A + (P_D \times \Theta_{JA}) \quad (1)$$

where:

T_A = Ambient Temperature, $^{\circ}\text{C}$

Θ_{JA} = Package Thermal Resistance, Junction-to-Ambient, $^{\circ}\text{C}/\text{W}$

P_D = $P_{INT} + P_{I/O}$

P_{INT} = $I_{DD} \times V_{DD}$, Watts — Chip Internal Power

$P_{I/O}$ = Power Dissipation on Input and Output Pins — User Determined

For most applications $P_{I/O} < P_{INT}$ and can be neglected. An approximate relationship between P_D and T_J (if $P_{I/O}$ is neglected) is:

$$P_D = K \div (T_J + 273^{\circ}\text{C}) \quad (2)$$

Solving equations 1 and 2 for K gives:

$$K = P_D \times (T_A + 273^{\circ}\text{C}) + \Theta_{JA} \times P_D^2 \quad (3)$$

where K is a constant pertaining to the particular part. K can be determined from equation (3) by measuring P_D (at equilibrium) for a known T_A . Using this value of K, the values of P_D and T_J can be obtained by solving equations (1) and (2) iteratively for any value of T_A .

Table A-4 Clock Control Timing

(V_{DD} and $V_{DDSYN} = 5.0 \text{ Vdc} \pm 10\%$, $V_{SS} = 0 \text{ Vdc}$, $T_A = T_L$ to T_H)

| Num | Characteristic | Symbol | Min | Max | Unit |
|-----|--|------------|--|----------------------------------|------|
| 1 | PLL Reference Frequency Range ¹ | f_{ref} | 3.2 | 4.2 | MHz |
| 2 | System Frequency ² Slow On-Chip PLL System Frequency Fast On-Chip PLL System Frequency External Clock Operation | f_{sys} | dc 4 (f_{ref}) 4 (f_{ref}) / 128 dc | 16.78 16.78 16.78 16.78 | MHz |
| 3 | PLL Lock Time ^{1, 7, 8, 9} Changing W or Y in SYNCR or exiting from LPSTOP ³ Warm Start-up ⁴ Cold Start-up (fast reference option only) ⁵ | t_{pll} | — — — | 20 50 75 | ms |
| 4 | VCO Frequency ⁶ | f_{VCO} | — | 2 (f_{sys} max) | MHz |
| 5 | Limp Mode Clock Frequency SYNCR X bit = 0 SYNCR X bit = 1 | f_{limp} | — — | f_{sys} max/2 f_{sys} max | MHz |
| 6 | CLKOUT Jitter ^{1, 7, 8, 9, 10} Short term (5 μ s interval) Long term (500 μ s interval) | J_{clk} | -0.5 -0.05 | 0.5 0.05 | % |

NOTES:

1. Tested with either a 4.194 MHz reference or a 32.768 kHz reference.
2. All internal registers retain data at 0 Hz.
3. Assumes that V_{DDSYN} and V_{DD} are stable, that an external filter is attached to the XFC pin, and that the crystal oscillator is stable.
4. Assumes that V_{DDSYN} is stable, that an external filter is attached to the XFC pin, and that the crystal oscillator is stable, followed by V_{DD} ramp-up. Lock time is measured from V_{DD} at specified minimum to $\overline{\text{RESET}}$ negated.
5. Cold start is measured from V_{DDSYN} and V_{DD} at specified minimum to $\overline{\text{RESET}}$ negated.
6. Internal VCO frequency (f_{VCO}) is determined by SYNCR W and Y bit values.
The SYNCR X bit controls a divide-by-two circuit that is not in the synthesizer feedback loop.
When X = 0, the divider is enabled, and $f_{sys} = f_{VCO} \div 4$.
When X = 1, the divider is disabled, and $f_{sys} = f_{VCO} \div 2$.
X must equal one when operating at maximum specified f_{sys} .
7. This parameter is periodically sampled rather than 100% tested.
8. Assumes that a low-leakage external filter network is used to condition clock synthesizer input voltage. Total external resistance from the XFC pin due to external leakage must be greater than 15 M Ω to guarantee this specification. Filter network geometry can vary depending upon operating environment.
9. Proper layout procedures must be followed to achieve specifications.
10. Jitter is the average deviation from the programmed frequency measured over the specified interval at maximum f_{sys} . Measurements are made with the device powered by filtered supplies and clocked by a stable external clock signal. Noise injected into the PLL circuitry via V_{DDSYN} and V_{SS} and variation in crystal oscillator frequency increase the J_{clk} percentage for a given interval. When clock jitter is a critical constraint on control system operation, this parameter should be measured during functional testing of the final system.

Freescale Semiconductor, Inc.

Table A-5 DC Characteristics

(V_{DD} and $V_{DDSYN} = 5.0 \text{ Vdc} \pm 5\%$, $V_{SS} = 0 \text{ Vdc}$, $T_A = T_L$ to T_H)

| Num | Characteristic | Symbol | Min | Max | Unit |
|-----|---|--------------|--------------------------------------|--|--|
| 1 | Input High Voltage | V_{IH} | 0.7 (V_{DD}) | $V_{DD} + 0.3$ | V |
| 2 | Input Low Voltage | V_{IL} | $V_{SS} - 0.3$ | 0.2 (V_{DD}) | V |
| 3 | Input Hysteresis ^{1, 2} | V_{HYS} | 0.5 | — | V |
| 4 | Input Leakage Current ^{3, 4} $V_{in} = V_{DD}$ or V_{SS} All input-only pins except ADC pins | I_{IN} | -2.5 | 2.5 | μA |
| 5 | High Impedance (Off-State) Leakage Current ^{4, 5} $V_{in} = V_{DD}$ or V_{SS} All input/output and output pins | I_{OZ} | -2.5 | 2.5 | μA |
| 6 | CMOS Output High Voltage ^{4, 6, 7} $I_{OH} = -10.0 \mu\text{A}$ Group 1, 2, 4 input/output and all output pins | V_{OH} | $V_{DD} - 0.2$ | — | V |
| 7 | CMOS Output Low Voltage ^{4, 8} $I_{OL} = 10.0 \mu\text{A}$ Group 1, 2, 4 input/output and all output pins | V_{OL} | — | 0.2 | V |
| 8 | Output High Voltage ^{4, 6, 7} $I_{OH} = -0.8 \text{ mA}$ Group 1, 2, 4 input/output and all output pins | V_{OH} | $V_{DD} - 0.8$ | — | V |
| 9 | Output Low Voltage ^{4, 8} $I_{OL} = 1.6 \text{ mA}$ Group1 I/O Pins, CLKOUT, FREEZE/QUOT, IPIPE0 $I_{OL} = 5.3 \text{ mA}$ Group 2 and Group 4 I/O Pins, $\overline{BG/CSM}$ $I_{OL} = 12 \text{ mA}$ Group 3 | V_{OL} | — — — | 0.4 0.4 0.4 | V |
| 10 | Three State Control Input High Voltage | V_{IIHTSC} | 1.6 (V_{DD}) | 9.1 | V |
| 11 | Data Bus Mode Select Pull-up Current ^{9, 10} $V_{in} = V_{IL}$ DATA[15:0] $V_{in} = V_{IH}$ DATA[15:0] | I_{MSP} | — -15 | -120 — | μA |
| 12 | MC68HC16Y3 V_{DD} Supply Current ^{11, 12, 13} Run Run, TPU emulation mode LPSTOP, crystal, VCO Off (STSCIM = 0) LPSTOP, external clock input frequency = maximum f_{sys} | I_{DD} | — — — — | 210 220 2 10 | mA mA mA mA |
| 12B | MC68HC916Y3 V_{DD} Supply Current ^{11, 12, 13} Run Run, TPU emulation mode LPSTOP, crystal, VCO Off (STSCIM = 0) LPSTOP, external clock input frequency = maximum f_{sys} | I_{DD} | — — — — | TBD TBD TBD TBD | mA mA mA mA |
| 13 | Clock Synthesizer Operating Voltage | V_{DDSYN} | 4.5 | 5.5 | V |
| 14 | V_{DDSYN} Supply Current ^{11, 13} VCO on, 4.195 MHz crystal reference, maximum f_{sys} External Clock, maximum f_{sys} VCO on, 32.768 kHz crystal reference, maximum f_{sys} External Clock, maximum f_{sys} LPSTOP, 4.195 MHz crystal reference, VCO off (STSCIM = 0) 4.195 MHz crystal, V_{DD} powered down LPSTOP, 32.768 kHz crystal reference, VCO off (STSCIM = 0) 32.768 kHz crystal, V_{DD} powered down | I_{DDSYN} | — — — — — — — — | 2 7 TBD TBD 2 2 TBD TBD | mA mA mA mA μA μA μA μA |

Freescale Semiconductor, Inc.

Table A-5 DC Characteristics (Continued)

(V_{DD} and $V_{DDSYN} = 5.0 \text{ Vdc} \pm 5\%$, $V_{SS} = 0 \text{ Vdc}$, $T_A = T_L$ to T_H)

| Num | Characteristic | Symbol | Min | Max | Unit |
|-----|--|----------|------------------|-------------------------|--------------------------------------|
| 15 | RAM Standby Voltage ¹⁴ Specified V_{DD} applied $V_{DD} = V_{SS}$ Power down status negation (PDS flag) | V_{SB} | 0.0 3.0 — | 5.5 5.5 3.5 | V |
| 16 | RAM Standby Current ¹² Normal RAM operation ¹⁵ Transient condition Standby operation ¹⁴ | I_{SB} | — — — | 50 3 100 | μA mA μA |
| 17 | MC68HC16Y3 Power Dissipation ¹⁶ | P_D | — | 1199 | mW |
| 17B | MC68HC916Y3 Power Dissipation ¹⁶ | P_D | — | 1199 | mW |
| 18 | Input Capacitance ^{3, 7, 13} All input-only pins except ADC pins All input/output pins | C_{IN} | — — | 10 20 | pF |
| 19 | Load Capacitance ⁴ Group 1 I/O Pins, CLKOUT, FREEZE/QUOT, IPIPE0 Group 2 I/O Pins and CSBOOT, BG/CS Group 3 I/O Pins Group 4 I/O Pins | C_L | — — — — | 90 100 130 200 | pF |

NOTES:

1. Applies to :
 - Port ADA[7:0] — AN[7:0]
 - Port A: PA[7:0]/ADDR[18:11]
 - Port B: PB[7:0]/ADDR[10:3]
 - Port D: PD5/PCS2, PD4/PCS1, PD3/PCS0/ \overline{SS} , PD3/SCK, PD1/MOSI, PD0/MISO
 - Port E: PE[7:6]/SIZ[1:0], PE5/ \overline{AS} , PE4/ \overline{DS} , PE3
 - Port F: PF[7:1]/ \overline{IRQ} [7:1], PF0/FASTREF
 - Port GP: PGP7/IC4/OC5, PGP[6:3]/OC[4:1], PGP[2:0]/IC[3:1]
 - Port G: PG[7:0]/DATA[15:8]
 - Port H: PH[7:0]/DATA[7:0]
 - Port MCCI: PMC7/TXDA, PMC6/RXDA, PMC5/TXDB, PMC4/RXDB
 - Other: \overline{BKPT} / \overline{DSCLK} , EXTAL, PAI, PCLK, \overline{RESET} , T2CLK, TP[15:0], TSC, EXTAL (when PLL enabled)
2. This parameter is periodically sampled rather than 100% tested.
3. Applies to all input-only pins except ADC pins.
4. Input-Only Pins: \overline{BKPT} / \overline{DSCLK} , EXTAL, PAI, PCLK, TSC
 Output-Only Pins: ADDR[2:0], \overline{CSBOOT} , $\overline{BG/CS}$ 1, CLKOUT, FREEZE/QUOT, DSO/IPIPE, PWMA, PWMB
 Input/Output Pins:
 - Group 1: Port GP: PGP7/IC4/OC5, PGP[6:3]/OC[4:1], PGP[2:0]/IC[3:1]
 Port G: PG[7:0]/DATA[15:8]
 Port H: PH[7:0]/DATA[7:0]
 Other: DSI/IPIPE, TP[15:0]
 - Group 2: Port A: PA[7:0]/ADDR[18:11]
 Port B: PB[7:0]/ADDR[10:3]
 Port C: PC[6:3]/ADDR[22:19]/ \overline{CS} [9:6], PC2/FC2/CS5, PC1/FC1, PC0/FC0/ \overline{CS} 3
 Port D: PD5/PCS2, PD4/PCS1, PD3/PCS0/ \overline{SS}
 Port E: PE[7:6]/SIZ[1:0], PE5/ \overline{AS} , PE4/ \overline{DS} , PE3
 Port F: PF[7:1]/ \overline{IRQ} [7:1], PF0/FASTREF
 Port MCCI: PMC7/TXDA, PMC6/RXDA, PMC5/TXDB, PMC4/RXDB, PMC3/ \overline{SS}
 Other: ADDR23/ \overline{CS} 10/ECLK, R/W, BERR, BR/ \overline{CS} 0, $\overline{BGACK/CS}$ 2
 - Group 3: HALT, RESET
 - Group 4: Port D: PD2/SCK, PD1/MOSI, PD0/MISO
5. Applies to all input/output and output pins.
6. Does not apply to \overline{HALT} and \overline{RESET} because they are open drain pins. Does not apply to Port D and Port MCCI in wired-OR mode.
7. Applies to Group 1, 2, 4 input/output and all output pins.
8. Applies to Group 1, 2, 3, 4 input/output pins, $\overline{BG/CS}$, CLKOUT, \overline{CSBOOT} , FREEZE/QUOT, and IPIPE0.
9. Applies to DATA[15:0].
10. Use of an active pulldown device is recommended.
11. Total operating current is the sum of the appropriate I_{DD} , I_{DDSYN} , I_{SB} , and I_{DDA} .
12. Current measured at maximum system clock frequency, all modules active.
13. The MC68HC16Y3/916Y3 can be ordered with either a 32.768 kHz crystal reference or a 4.194 MHz crystal reference as a mask option.
14. The RAM module will not switch into standby mode as long as V_{SB} does not exceed V_{DD} by more than 0.5 volts. The RAM array cannot be accessed while the module is in standby mode.
15. When V_{SB} is more than 0.3 V greater than V_{DD} , current flows between the V_{STBY} and V_{DD} pins, which causes standby current to increase toward the maximum transient condition specification. System noise on the V_{DD} and V_{STBY} pin can contribute to this condition.
16. Power dissipation measured with system clock frequency of 16.78 MHz, all modules active. Power dissipation can be calculated using the following expression:

$$P_D = \text{Maximum } V_{DD} (I_{DD} + I_{DDSYN} + I_{SB}) + \text{Maximum } V_{DDA} (I_{DDA})$$

I_{DD} includes supply currents for all device modules powered by V_{DD} pins.

Freescale Semiconductor, Inc.

Table A-6 AC Timing

(V_{DD} and $V_{DDSYN} = 5.0 \text{ Vdc} \pm 10\%$, $V_{SS} = 0 \text{ Vdc}$, $T_A = T_L$ to T_H)¹

| Num | Characteristic | Symbol | Min | Max | Unit |
|--------|---|-------------|------|-------|------|
| F1 | Frequency of Operation | f | — | 16.78 | MHz |
| 1 | Clock Period | t_{cyc} | 59.6 | — | ns |
| 1A | ECLK Period | t_{Ecyc} | 476 | — | ns |
| 1B | External Clock Input Period ² | t_{Xcyc} | 59.6 | — | ns |
| 2, 3 | Clock Pulse Width ³ | t_{CW} | 24 | — | ns |
| 2A, 3A | ECLK Pulse Width | t_{ECW} | 236 | — | ns |
| 2B, 3B | External Clock Input High/Low Time ² | t_{XCHL} | 29.8 | — | ns |
| 4, 5 | CLKOUT Rise and Fall Time | t_{Crf} | — | 5 | ns |
| 4A, 5A | Rise and Fall Time (All Outputs except CLKOUT) | t_{rf} | — | 8 | ns |
| 4B, 5B | External Clock Input Rise and Fall Time ³ | t_{XCrf} | — | 5 | ns |
| 6 | Clock High to ADDR, FC, SIZE Valid ⁴ | t_{CHAV} | 0 | 29 | ns |
| 7 | Clock High to ADDR, Data, FC, SIZE, High Impedance | t_{CHAZx} | 0 | 59 | ns |
| 8 | Clock High to ADDR, FC, SIZE, Invalid | t_{CHAZn} | 0 | — | ns |
| 9 | Clock Low to \overline{AS} , \overline{DS} , \overline{CS} Asserted ⁴ | t_{CLSA} | 2 | 24 | ns |
| 9A | \overline{AS} to \overline{DS} or \overline{CS} Asserted (Read) ⁵ | t_{STSA} | -15 | 15 | ns |
| 11 | ADDR, FC, SIZE Valid to \overline{AS} , \overline{CS} , (and \overline{DS} Read) Asserted | t_{AVSA} | 15 | — | ns |
| 12 | Clock Low to \overline{AS} , \overline{DS} , \overline{CS} Negated | t_{CLSN} | 2 | 29 | ns |
| 13 | \overline{AS} , \overline{DS} , \overline{CS} Negated to ADDR, FC SIZE Invalid (Address Hold) | t_{SNAI} | 15 | — | ns |
| 14 | \overline{AS} , \overline{CS} (and \overline{DS} Read) Width Asserted | t_{SWA} | 100 | — | ns |
| 14A | \overline{DS} , \overline{CS} Width Asserted (Write) | t_{SWAW} | 45 | — | ns |
| 14B | \overline{AS} , \overline{CS} (and \overline{DS} Read) Width Asserted (Fast Cycle) | t_{SWDW} | 40 | — | ns |
| 15 | \overline{AS} , \overline{DS} , \overline{CS} Width Negated ⁶ | t_{SN} | 40 | — | ns |
| 16 | Clock High to \overline{AS} , \overline{DS} , R/\overline{W} High Impedance | t_{CHSZ} | — | 59 | ns |
| 17 | \overline{AS} , \overline{DS} , \overline{CS} Negated to R/\overline{W} High | t_{SNRN} | 15 | — | ns |
| 18 | Clock High to R/\overline{W} High | t_{CHRH} | 0 | 29 | ns |
| 20 | Clock High to R/\overline{W} Low | t_{CHRL} | 0 | 29 | ns |
| 21 | R/\overline{W} High to \overline{AS} , \overline{CS} Asserted | t_{RAAA} | 15 | — | ns |
| 22 | R/\overline{W} Low to \overline{DS} , \overline{CS} Asserted (Write) | t_{RASA} | 70 | — | ns |
| 23 | Clock High to Data Out Valid | t_{CHDO} | — | 29 | ns |
| 24 | Data Out Valid to Negating Edge of \overline{AS} , \overline{CS} (Fast Write Cycle) | t_{DVASN} | 15 | — | ns |
| 25 | \overline{DS} , \overline{CS} Negated to Data Out Invalid (Data Out Hold) | t_{SNDOI} | 15 | — | ns |
| 26 | Data Out Valid to \overline{DS} , \overline{CS} Asserted (Write) | t_{DVSA} | 15 | — | ns |
| 27 | Data In Valid to Clock Low (Data Setup) ⁴ | t_{DICL} | 5 | — | ns |

Freescale Semiconductor, Inc.

Table A-6 AC Timing (Continued)

(V_{DD} and $V_{DDSYN} = 5.0 \text{ Vdc} \pm 10\%$, $V_{SS} = 0 \text{ Vdc}$, $T_A = T_L$ to T_H)¹

| Num | Characteristic | Symbol | Min | Max | Unit |
|-----|---|--------------------|-----|-----|------------------|
| 27A | Late $\overline{\text{BERR}}$, $\overline{\text{HALT}}$ Asserted to Clock Low (Setup Time) | t_{BELCL} | 20 | — | ns |
| 28 | $\overline{\text{AS}}$, $\overline{\text{DS}}$ Negated to $\overline{\text{DSACK}}[1:0]$, $\overline{\text{BERR}}$, $\overline{\text{HALT}}$, $\overline{\text{AVEC}}$ Negated | t_{SNDN} | 0 | 80 | ns |
| 29 | $\overline{\text{DS}}$, $\overline{\text{CS}}$ Negated to Data In Invalid (Data In Hold) ⁷ | t_{SNDI} | 0 | — | ns |
| 29A | $\overline{\text{DS}}$, $\overline{\text{CS}}$ Negated to Data In High Impedance ^{7, 8} | t_{SHDI} | — | 55 | ns |
| 30 | CLKOUT Low to Data In Invalid (Fast Cycle Hold) ⁷ | t_{CLDI} | 15 | — | ns |
| 30A | CLKOUT Low to Data In High Impedance ⁷ | t_{CLDH} | — | 90 | ns |
| 31 | $\overline{\text{DSACK}}[1:0]$ Asserted to Data In Valid ⁹ | t_{DADI} | — | 50 | ns |
| 33 | Clock Low to $\overline{\text{BG}}$ Asserted/Negated | t_{CLBAN} | — | 29 | ns |
| 35 | $\overline{\text{BR}}$ Asserted to $\overline{\text{BG}}$ Asserted ¹⁰ | t_{BRAGA} | 1 | — | t_{cyc} |
| 37 | $\overline{\text{BGACK}}$ Asserted to $\overline{\text{BG}}$ Negated | t_{GAGN} | 1 | 2 | t_{cyc} |
| 39 | $\overline{\text{BG}}$ Width Negated | t_{GH} | 2 | — | t_{cyc} |
| 39A | $\overline{\text{BG}}$ Width Asserted | t_{GA} | 1 | — | t_{cyc} |
| 46 | $\text{R}/\overline{\text{W}}$ Width Asserted (Write or Read) | t_{RWA} | 150 | — | ns |
| 46A | $\text{R}/\overline{\text{W}}$ Width Asserted (Fast Write or Read Cycle) | t_{RWAS} | 90 | — | ns |
| 47A | Asynchronous Input Setup Time $\overline{\text{BR}}$, $\overline{\text{BGACK}}$, $\overline{\text{DSACK}}[1:0]$, $\overline{\text{BERR}}$, $\overline{\text{AVEC}}$, $\overline{\text{HALT}}$ | t_{AIST} | 5 | — | ns |
| 47B | Asynchronous Input Hold Time | t_{AIHT} | 15 | — | ns |
| 48 | $\overline{\text{DSACK}}[1:0]$ Asserted to $\overline{\text{BERR}}$, $\overline{\text{HALT}}$ Asserted ¹¹ | t_{DABA} | — | 30 | ns |
| 53 | Data Out Hold from Clock High | t_{DOCH} | 0 | — | ns |
| 54 | Clock High to Data Out High Impedance | t_{CHDH} | — | 28 | ns |
| 55 | $\text{R}/\overline{\text{W}}$ Asserted to Data Bus Impedance Change | t_{RADC} | 40 | — | ns |
| 70 | Clock Low to Data Bus Driven (Show Cycle) | t_{SCLDD} | 0 | 29 | ns |
| 71 | Data Setup Time to Clock Low (Show Cycle) | t_{SCLDS} | 15 | — | ns |
| 72 | Data Hold from Clock Low (Show Cycle) | t_{SCLDH} | 10 | — | ns |
| 73 | $\overline{\text{BKPT}}$ Input Setup Time | t_{BKST} | 15 | — | ns |
| 74 | $\overline{\text{BKPT}}$ Input Hold Time | t_{BKHT} | 10 | — | ns |
| 75 | Mode Select Setup Time ($\text{DATA}[15:0]$, MODCLK , $\overline{\text{BKPT}}$) | t_{MSS} | 20 | — | t_{cyc} |
| 76 | Mode Select Hold Time ($\text{DATA}[15:0]$, MODCLK , $\overline{\text{BKPT}}$) | t_{MSH} | 0 | — | ns |
| 77 | $\overline{\text{RESET}}$ Assertion Time ¹² | t_{RSTA} | 4 | — | t_{cyc} |
| 78 | $\overline{\text{RESET}}$ Rise Time ¹³ | t_{RSTR} | — | 10 | t_{cyc} |
| 100 | CLKOUT High to Phase 1 Asserted ¹⁴ | t_{CHP1A} | 3 | 40 | ns |
| 101 | CLKOUT High to Phase 2 Asserted ¹⁴ | t_{CHP2A} | 3 | 40 | ns |
| 102 | Phase 1 Valid to $\overline{\text{AS}}$ or $\overline{\text{DS}}$ Asserted ¹⁴ | t_{P1VSA} | 10 | — | ns |
| 103 | Phase 2 Valid to $\overline{\text{AS}}$ or $\overline{\text{DS}}$ Asserted ¹⁴ | t_{P2VSN} | 10 | — | ns |

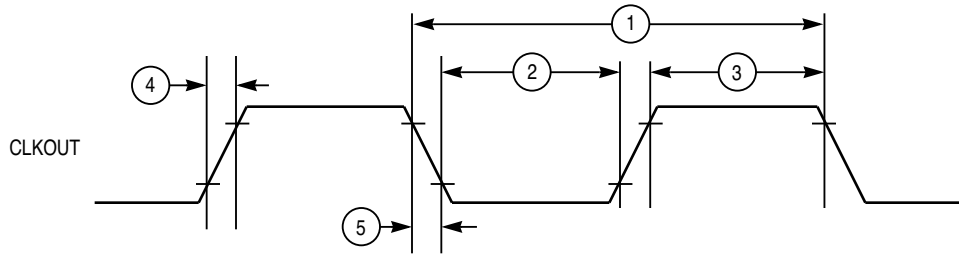
Table A-6 AC Timing (Continued)

(V_{DD} and $V_{DDSYN} = 5.0 \text{ Vdc} \pm 10\%$, $V_{SS} = 0 \text{ Vdc}$, $T_A = T_L$ to T_H)¹

| Num | Characteristic | Symbol | Min | Max | Unit |
|-----|---|-------------|-----|-----|------|
| 104 | \overline{AS} or \overline{DS} Valid to Phase 1 Negated ¹⁴ | t_{SAP1N} | 10 | — | ns |
| 105 | \overline{AS} or \overline{DS} Negated to Phase 2 Negated ¹⁴ | t_{SNP2N} | 10 | — | ns |

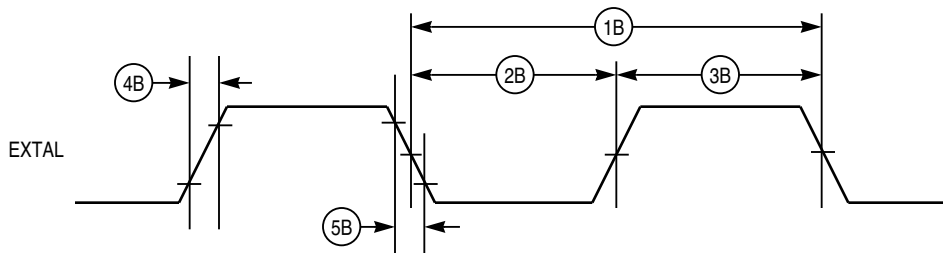
NOTES:

- All AC timing is shown with respect to V_{IH}/V_{IL} levels unless otherwise noted.
- When an external clock is used, minimum high and low times are based on a 50% duty cycle. The minimum allowable t_{Xcyc} period is reduced when the duty cycle of the external clock varies. The relationship between external clock input duty cycle and minimum t_{Xcyc} is expressed:
Minimum t_{Xcyc} period = minimum $t_{XCHL} / (50\% - \text{external clock input duty cycle tolerance})$.
- Parameters for an external clock signal applied while the internal PLL is disabled (MODCLK pin held low during reset). Does not pertain to an external VCO reference applied while the PLL is enabled (MODCLK pin held high during reset). When the PLL is enabled, the clock synthesizer detects successive transitions of the reference signal. If transitions occur within the correct clock period, rise/fall times and duty cycle are not critical.
- Address access time = $(2.5 + WS) t_{cyc} - t_{CHAV} - t_{D1CL}$
Chip select access time = $(2 + WS) t_{cyc} - t_{CLSA} - t_{D1CL}$
Where: WS = number of wait states. When fast termination is used (2 clock bus) WS = -1.
- Specification 9A is the worst-case skew between \overline{AS} and \overline{DS} or \overline{CS} . The amount of skew depends on the relative loading of these signals. When loads are kept within specified limits, skew will not cause \overline{AS} and \overline{DS} to fall outside the limits shown in specification 9.
- If multiple chip-selects are used, \overline{CS} width negated (specification 15) applies to the time from the negation of a heavily loaded chip select to the assertion of a lightly loaded chip select. The \overline{CS} width negated specification between multiple chip-selects does not apply to chip selects being used for synchronous ECLK cycles.
- Hold times are specified with respect to \overline{DS} or \overline{CS} on asynchronous reads and with respect to CLKOUT on fast cycle reads. The user is free to use either hold time.
- Maximum value is equal to $(t_{cyc} / 2) + 25 \text{ ns}$.
- If the asynchronous setup time (specification 47A) requirements are satisfied, the $\overline{DSACK}[1:0]$ low to data setup time (specification 31) and $\overline{DSACK}[1:0]$ low to \overline{BERR} low setup time (specification 48) can be ignored. The data must only satisfy the data-in to clock low setup time (specification 27) for the following clock cycle. \overline{BERR} must satisfy only the late \overline{BERR} low to clock low setup time (specification 27A) for the following clock cycle.
- To ensure coherency during every operand transfer, \overline{BG} is not asserted in response to \overline{BR} until after all cycles of the current operand transfer are complete.
- In the absence of $\overline{DSACK}[1:0]$, \overline{BERR} is an asynchronous input using the asynchronous setup time (specification 47A).
- After external \overline{RESET} negation is detected, a short transition period (approximately $2 t_{cyc}$) elapses, then the SCIM2 drives \overline{RESET} low for 512 t_{cyc} .
- External logic must pull \overline{RESET} high during this period in order for normal MCU operation to begin.
- Eight pipeline states are multiplexed into IPIPE[1:0]. The multiplexed signals have two phases.



16 CLKOUT TIM

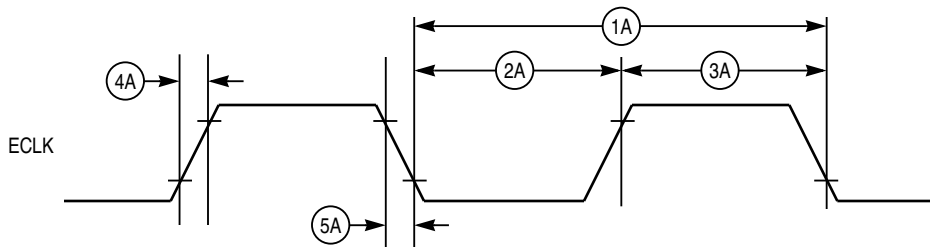
Figure A-1 CLKOUT Output Timing Diagram



NOTE: TIMING SHOWN WITH RESPECT TO V_{IH}/V_{IL} LEVELS.
PULSE WIDTH SHOWN WITH RESPECT TO 50% V_{DD} .

16 EXT CLK INPUT TIM

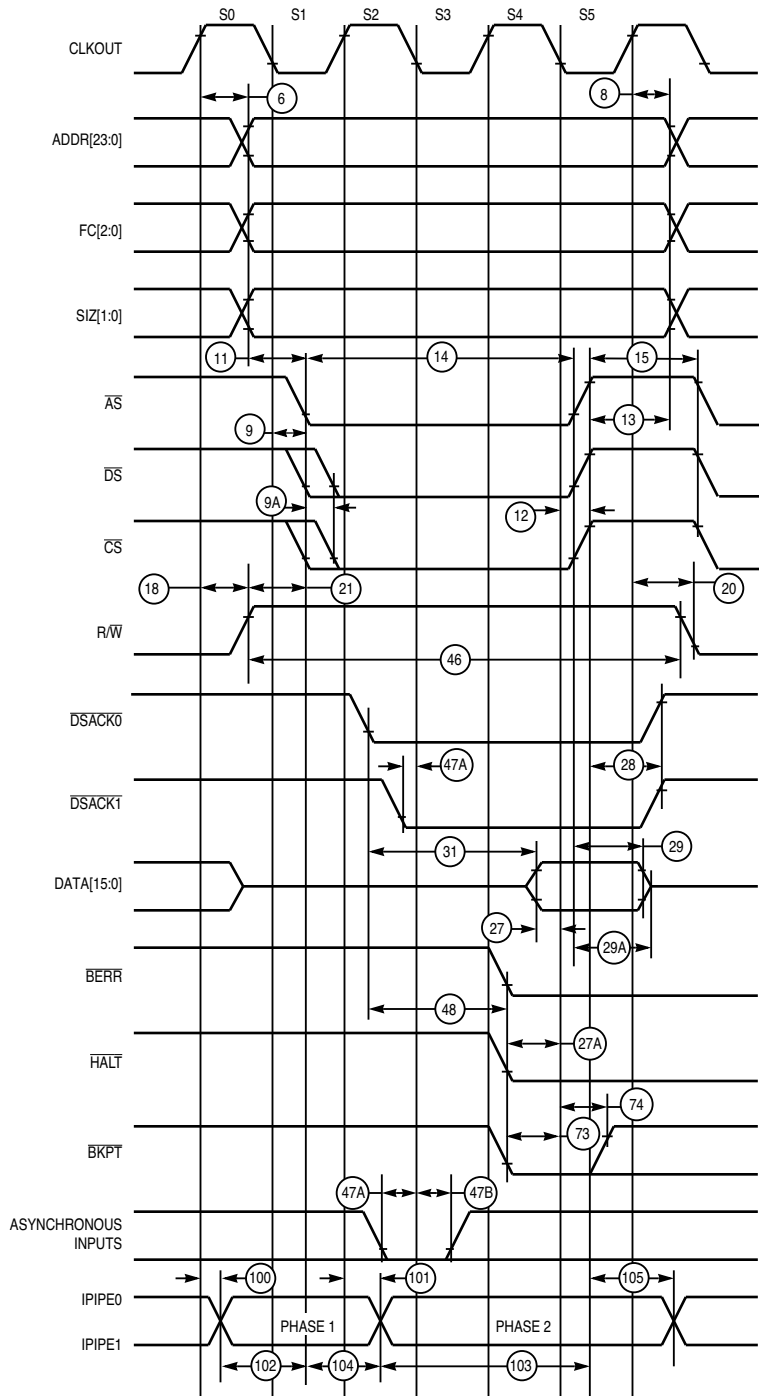
Figure A-2 External Clock Input Timing Diagram



NOTE: TIMING SHOWN WITH RESPECT TO V_{IH}/V_{IL} LEVELS.

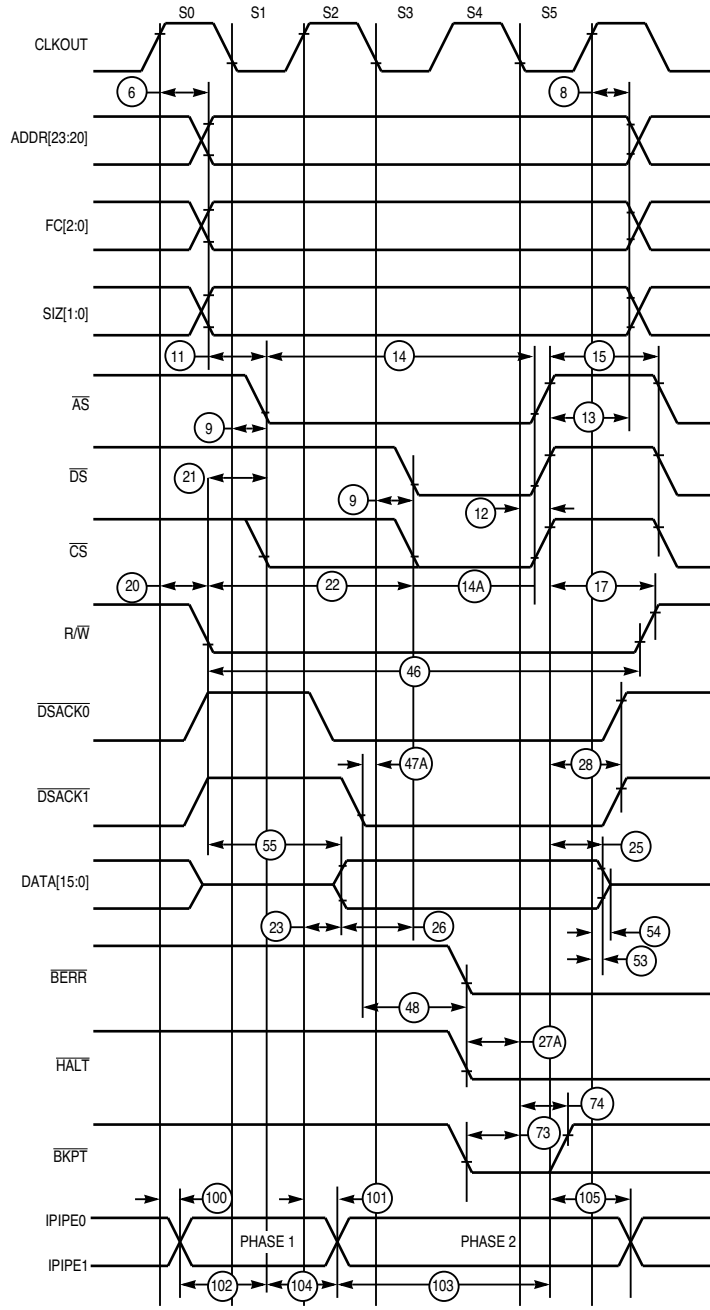
16 ECLK OUTPUT TIM

Figure A-3 ECLK Output Timing Diagram



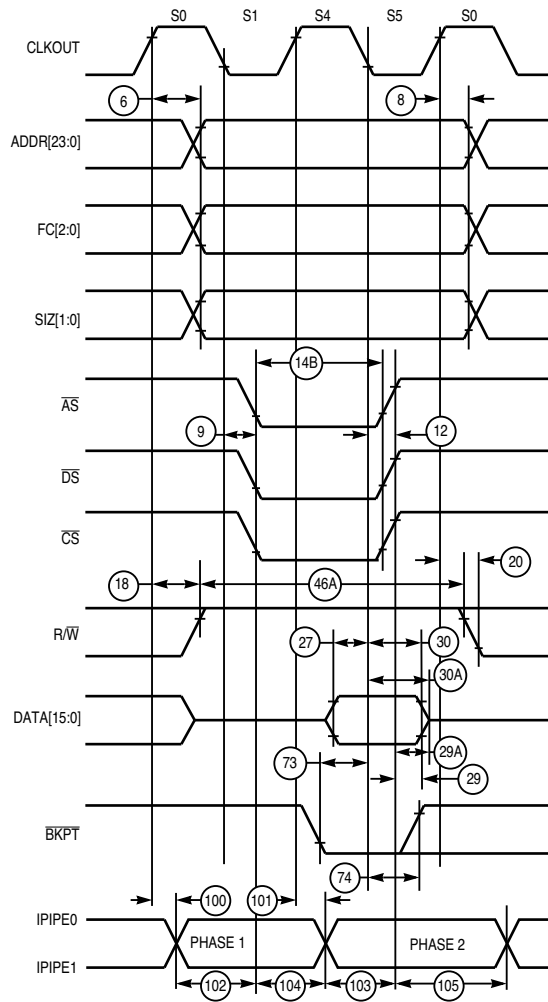
16 RD CYC TIM

Figure A-4 Read Cycle Timing Diagram



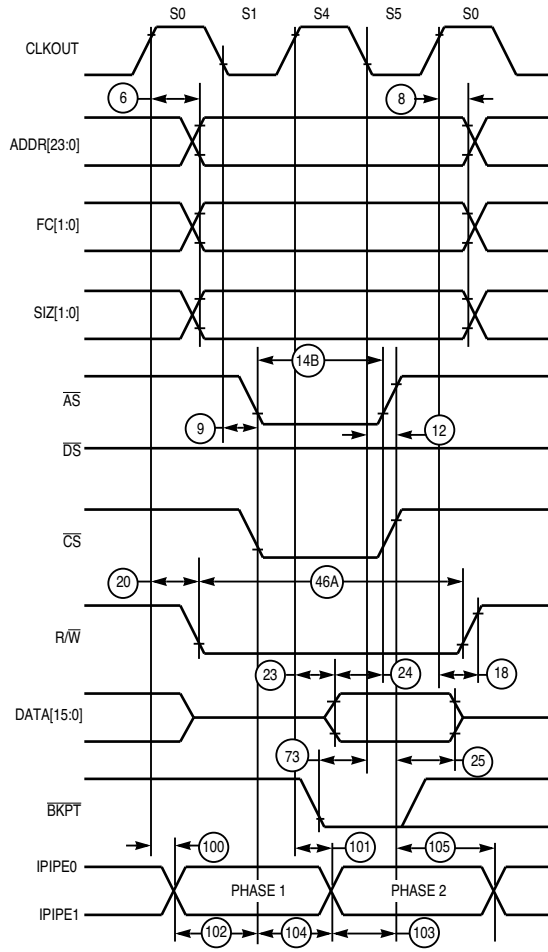
16 WR CYC TIM

Figure A-5 Write Cycle Timing Diagram



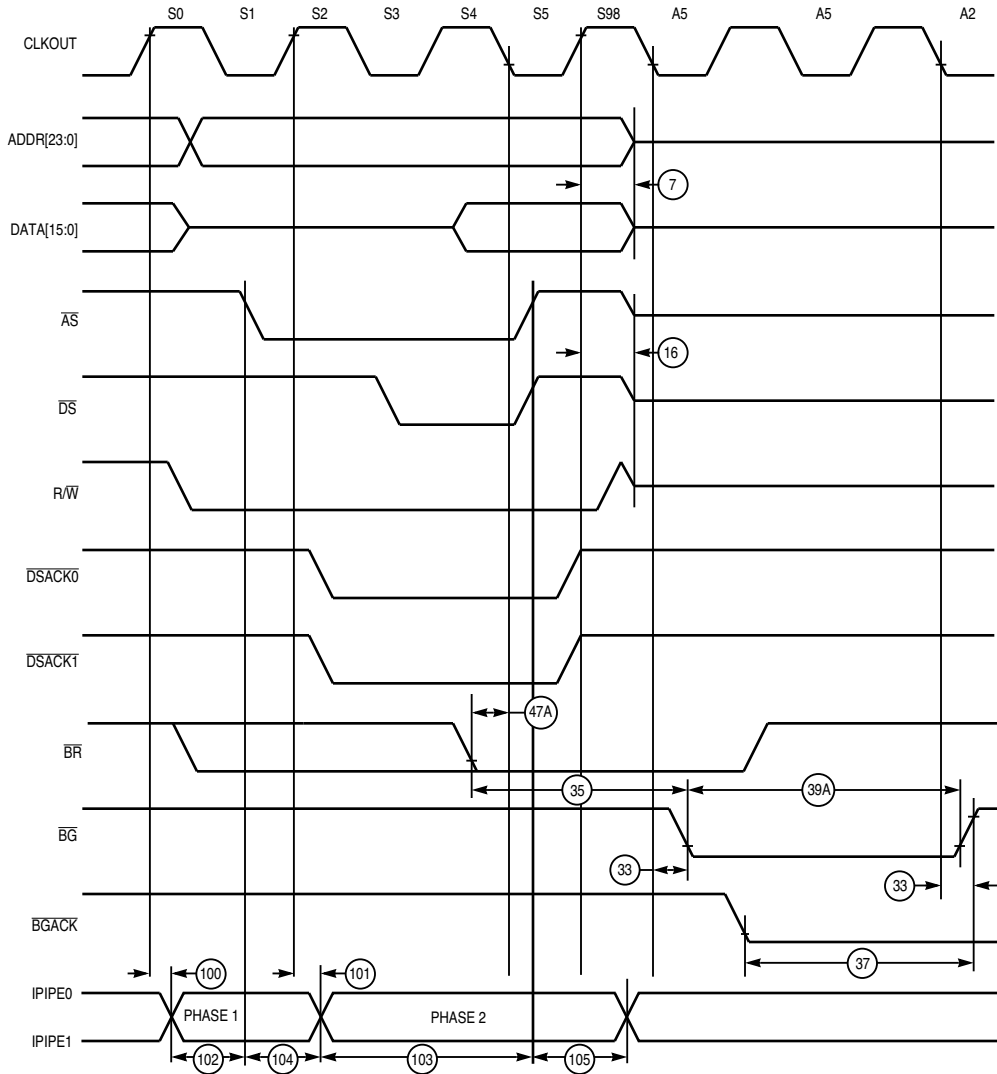
16 FAST RD CYC TIM

Figure A-6 Fast Termination Read Cycle Timing Diagram



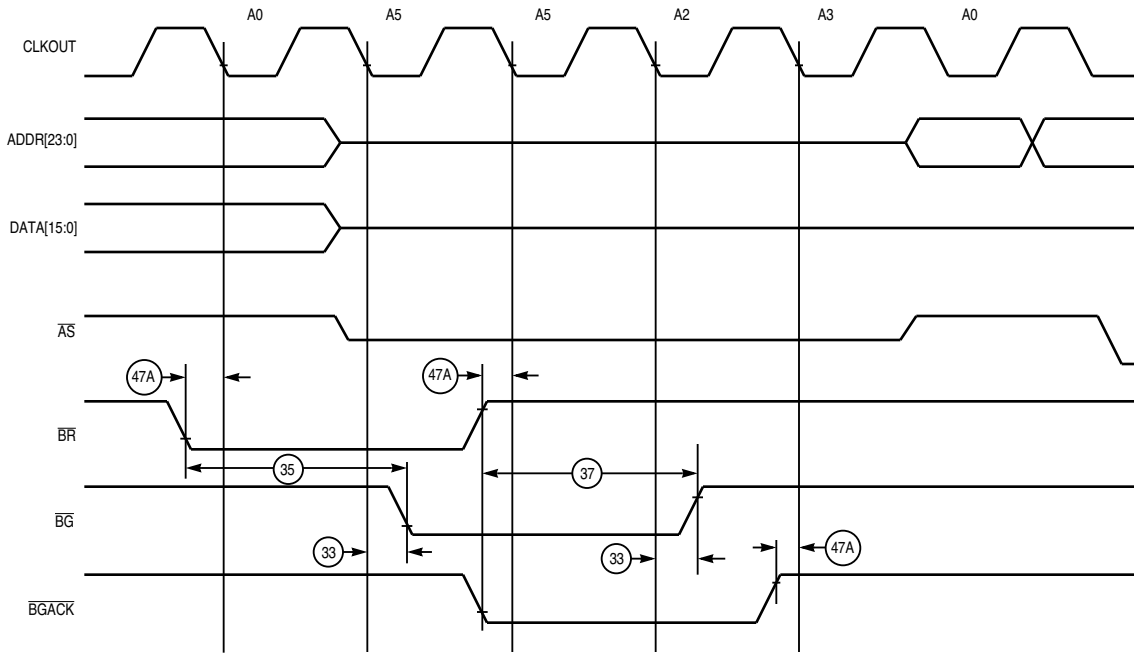
16 FAST WR CYC TIM

Figure A-7 Fast Termination Write Cycle Timing Diagram



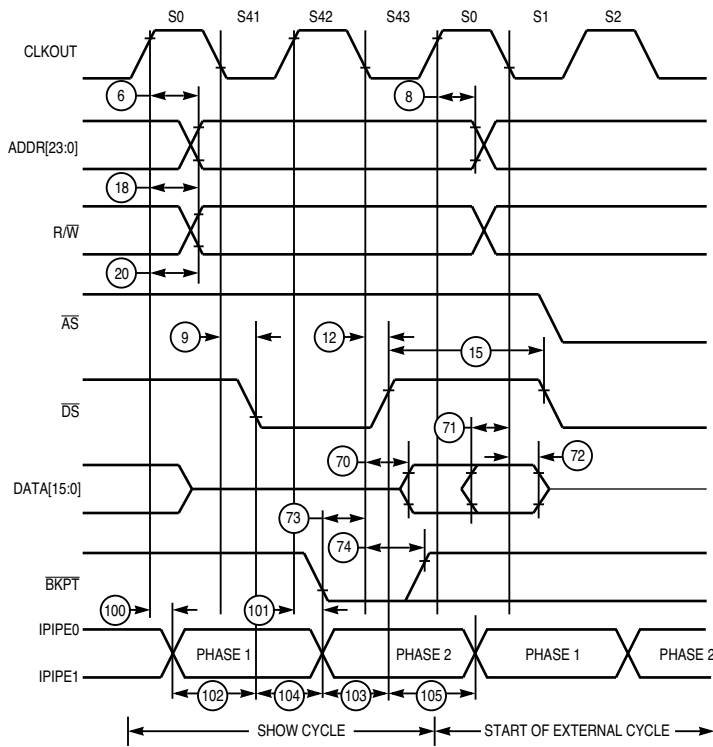
16 BUS ARB TIM

Figure A-8 Bus Arbitration Timing Diagram — Active Bus Case



16 BUS ARB TIM IDLE

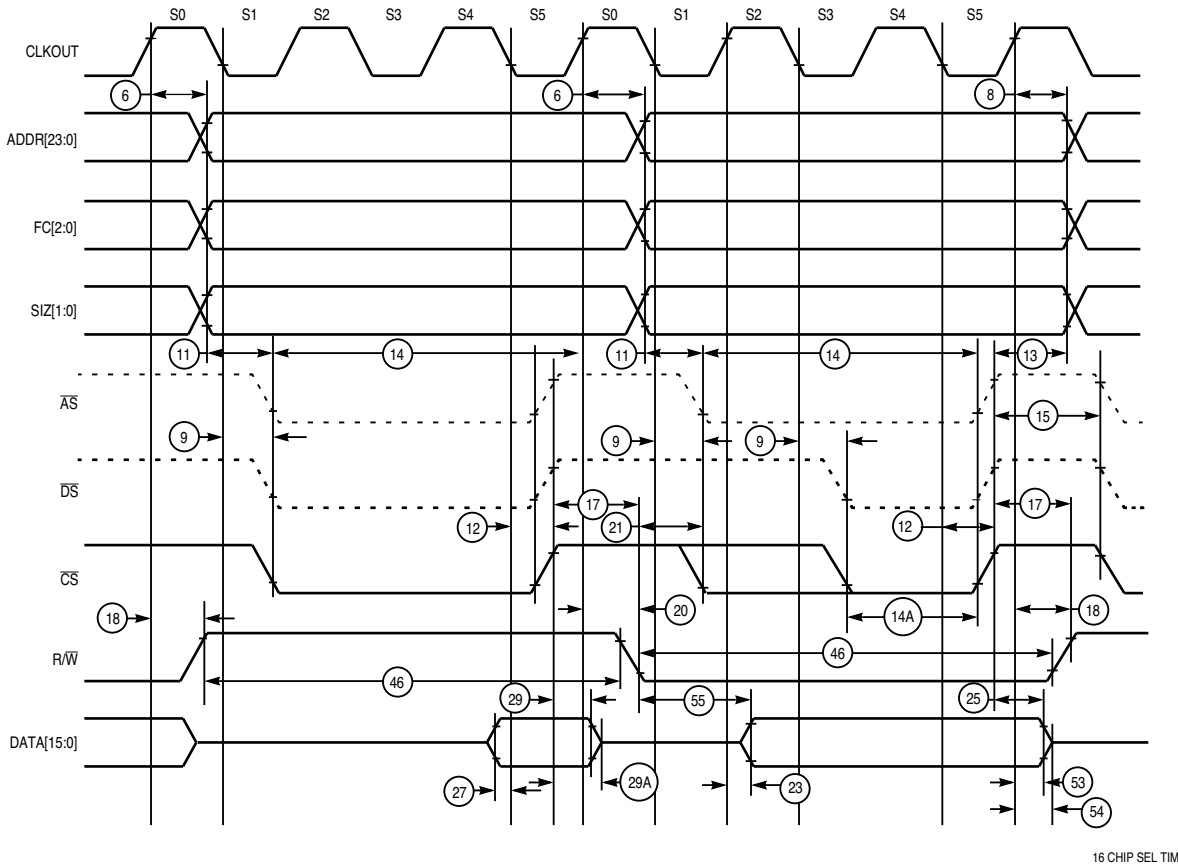
Figure A-9 Bus Arbitration Timing Diagram — Idle Bus Case



NOTE:
 SHOW CYCLES CAN STRETCH DURING CLOCK PHASE S42 WHEN BUS ACCESSES TAKE LONGER THAN TWO CYCLES DUE TO IMB MODULE WAIT-STATE INSERTION.

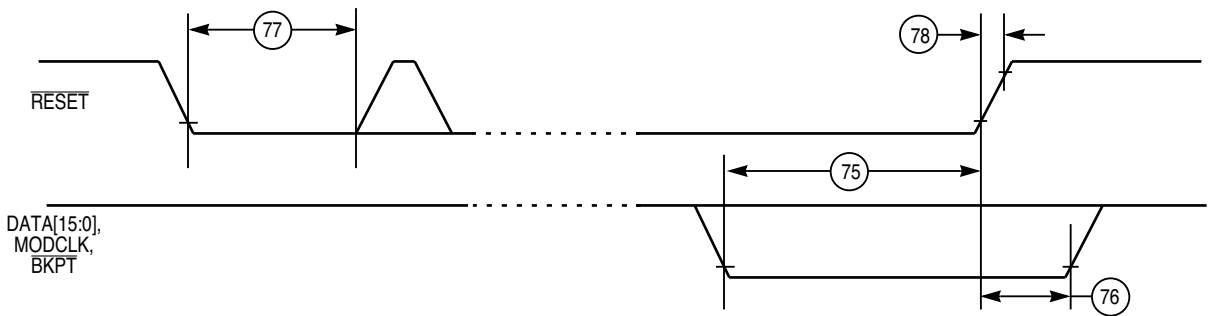
16 SHW CYC TIM

Figure A-10 Show Cycle Timing Diagram



16 CHIP SEL TIM

Figure A-11 Chip-Select Timing Diagram



16 RST/MODE SEL TIM

Figure A-12 Reset and Mode Select Timing Diagram

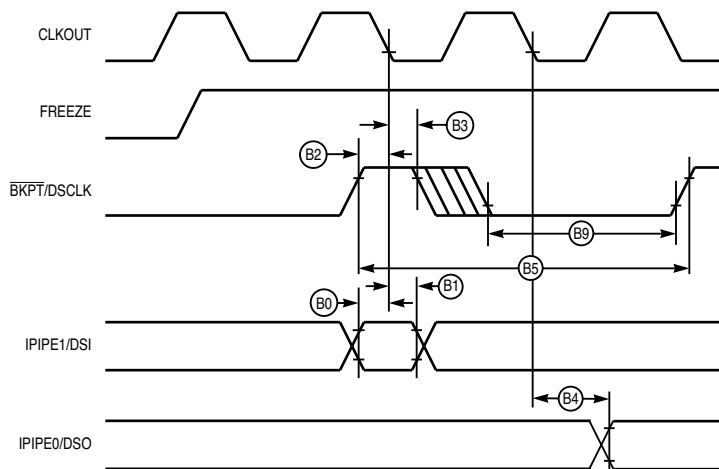
Table A-7 16.78 MHz Background Debug Mode Timing

(V_{DD} and $V_{DDSYN} = 5.0 \text{ Vdc} \pm 5\%$, $V_{SS} = 0 \text{ Vdc}$, $T_A = T_L$ to T_H)¹

| Num | Characteristic | Symbol | Min | Max | Unit |
|-----|--|--------------|-----|-----|-----------|
| B0 | DSI Input Setup Time | t_{DSISU} | 15 | — | ns |
| B1 | DSI Input Hold Time | t_{DSIH} | 10 | — | ns |
| B2 | DSCLK Setup Time | t_{DSCSU} | 15 | — | ns |
| B3 | DSCLK Hold Time | t_{DSCCH} | 10 | — | ns |
| B4 | DSO Delay Time | t_{DSOD} | — | 25 | ns |
| B5 | DSCLK Cycle Time | t_{DSCCYC} | 2 | — | t_{cyc} |
| B6 | CLKOUT High to FREEZE Asserted/Negated | t_{FRZAN} | — | 50 | ns |
| B7 | CLKOUT High to IPIPE1 High Impedance | t_{IFZ} | — | 50 | ns |
| B8 | CLKOUT High to IPIPE1 Valid | t_{IF} | — | 50 | ns |
| B9 | DSCLK Low Time | t_{DSCLO} | 1 | — | t_{cyc} |
| B10 | IPIPE1 High Impedance to FREEZE Asserted | t_{IPFA} | TBD | — | t_{cyc} |
| B11 | FREEZE Negated to IPIPE[0:1] Active | t_{FRIP} | TBD | — | t_{cyc} |

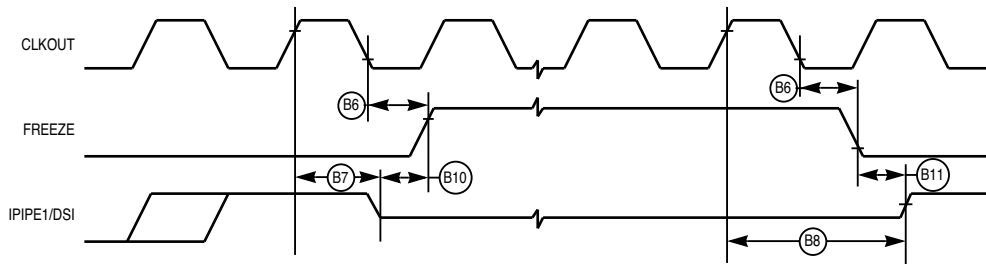
NOTES:

1. All AC timing is shown with respect to V_{IH}/V_{IL} levels unless otherwise noted.



16 BDM SER COM TIM

Figure A-13 Background Debug Mode Timing Diagram (Serial Communication)



16 BDM FRZ TIM

Figure A-14 Background Debug Mode Timing Diagram (Freeze Assertion)

Table A-8 ECLK Bus Timing

(V_{DD} and $V_{DDSYN} = 5.0 \text{ Vdc} \pm 5\%$, $V_{SS} = 0 \text{ Vdc}$, $T_A = T_L \text{ to } T_H$)¹

| Num | Characteristic | Symbol | Min | Max | Unit |
|-----|--|------------|-----|-----|-----------|
| E1 | ECLK Low to Address Valid ² | t_{EAD} | — | 60 | ns |
| E2 | ECLK Low to Address Hold | t_{EAH} | 10 | — | ns |
| E3 | ECLK Low to \overline{CS} Valid (\overline{CS} Delay) | t_{ECSD} | — | 150 | ns |
| E4 | ECLK Low to \overline{CS} Hold | t_{ECSH} | 15 | — | ns |
| E5 | \overline{CS} Negated Width | t_{ECSN} | 30 | — | ns |
| E6 | Read Data Setup Time | t_{EDSR} | 30 | — | ns |
| E7 | Read Data Hold Time | t_{EDHR} | 15 | — | ns |
| E8 | ECLK Low to Data High Impedance | t_{EDHZ} | — | 60 | ns |
| E9 | \overline{CS} Negated to Data Hold (Read) | t_{ECDH} | 0 | — | ns |
| E10 | \overline{CS} Negated to Data High Impedance | t_{ECDZ} | — | 1 | t_{cyc} |
| E11 | ECLK Low to Data Valid (Write) | t_{EDDW} | — | 2 | t_{cyc} |
| E12 | ECLK Low to Data Hold (Write) | t_{EDHW} | 5 | — | ns |
| E13 | \overline{CS} Negated to Data Hold (Write) | t_{ECHW} | 0 | — | ns |
| E14 | Address Access Time (Read) ³ | t_{EACC} | 386 | — | ns |
| E15 | Chip-Select Access Time (Read) ⁴ | t_{EACS} | 296 | — | ns |
| E16 | Address Setup Time | t_{EAS} | — | 1/2 | t_{cyc} |

NOTES:

- All AC timing is shown with respect to V_{IH}/V_{IL} levels unless otherwise noted.
- When previous bus cycle is not an ECLK cycle, the address may be valid before ECLK goes low.
- Address access time = $t_{Eacc} - t_{EAD} - t_{EDSR}$.
- Chip select access time = $t_{Eacc} - t_{ECSD} - t_{EDSR}$.

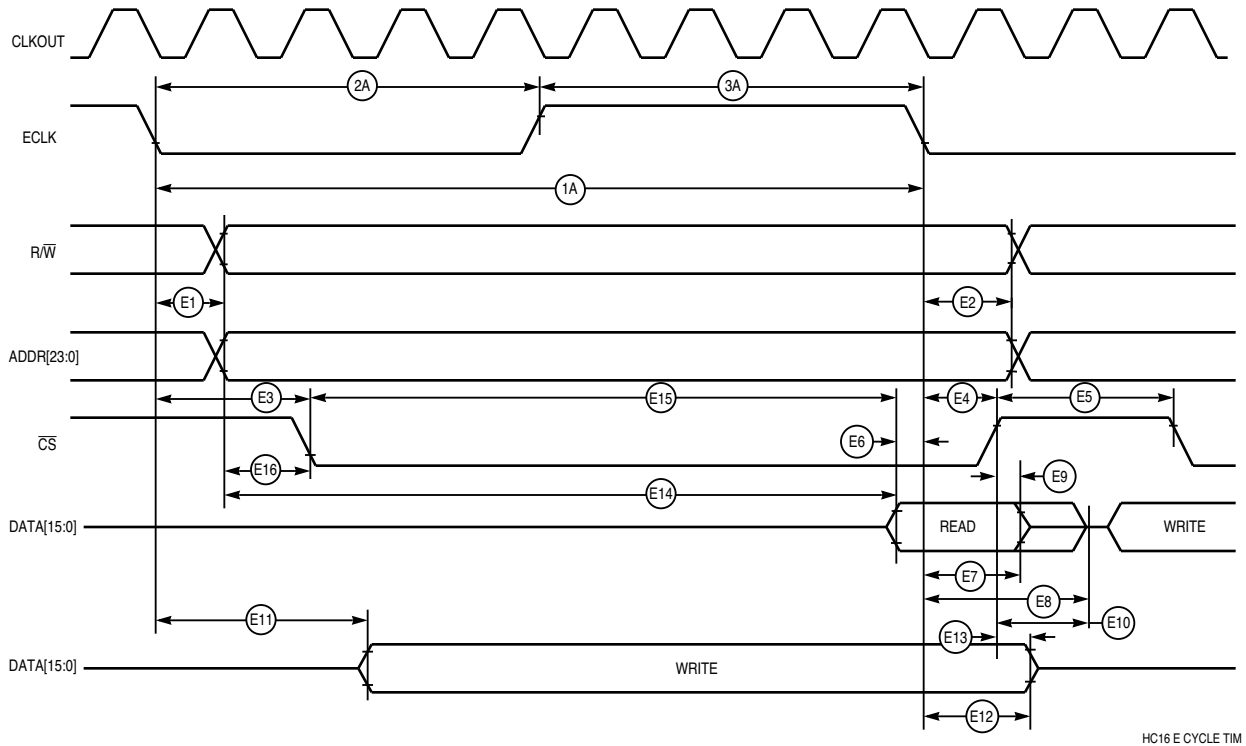


Figure A-15 ECLK Timing Diagram

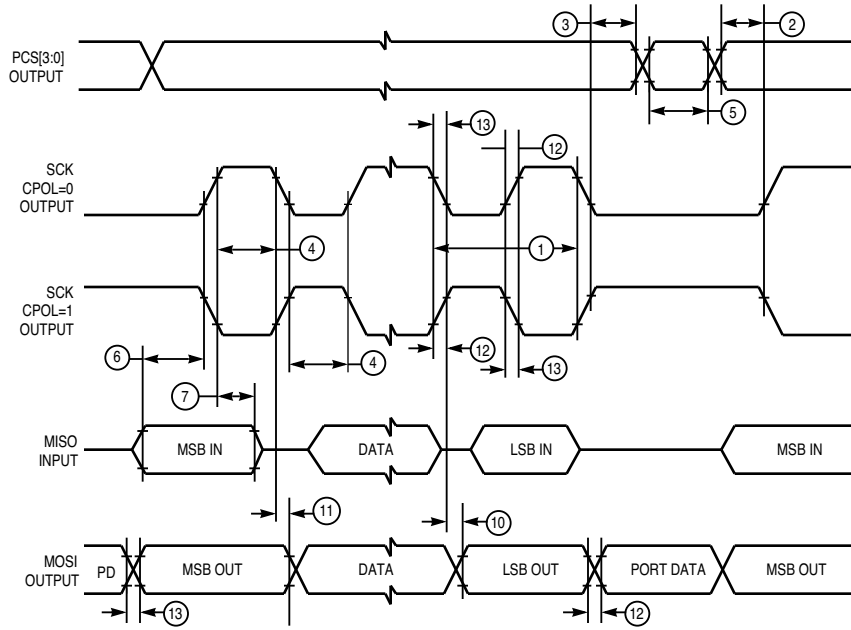
Table A-9 QSPI Timing

(V_{DD} and $V_{DDSYN} = 5.0 \text{ Vdc} \pm 5\%$ for 16.78 MHz, $V_{SS} = 0 \text{ Vdc}$, $T_A = T_L$ to T_H)¹

| Num | Function | Symbol | Min | Max | Unit |
|-----|---|----------------------|------------------|---------------|---------------|
| 1 | Operating Frequency | f_{op} | DC | 1/4 | f_{sys} |
| | Master Slave | | DC | 1/4 | f_{sys} |
| 2 | Cycle Time | t_{qcyt} | 4 | 510 | t_{cyc} |
| | Master Slave | | 4 | — | t_{cyc} |
| 3 | Enable Lead Time | t_{lead} | 2 | 128 | t_{cyc} |
| | Master Slave | | 2 | — | t_{cyc} |
| 4 | Enable Lag Time | t_{lag} | — | 1/2 | SCK |
| | Master Slave | | 2 | — | t_{cyc} |
| 5 | Clock (SCK) High or Low Time | t_{sw} | $2 t_{cyc} - 60$ | $255 t_{cyc}$ | ns |
| | Master Slave ² | | $2 t_{cyc} - n$ | — | ns |
| 6 | Sequential Transfer Delay | t_{td} | 17 | 8192 | t_{cyc} |
| | Master Slave (Does Not Require Deselect) | | 13 | — | t_{cyc} |
| 7 | Data Setup Time (Inputs) | t_{su} | 30 | — | ns |
| | Master Slave | | 20 | — | ns |
| 8 | Data Hold Time (Inputs) | t_{hi} | 0 | — | ns |
| | Master Slave | | 20 | — | ns |
| 9 | Slave Access Time | t_a | — | 1 | t_{cyc} |
| 10 | Slave MISO Disable Time | t_{dis} | — | 2 | t_{cyc} |
| 11 | Data Valid (after SCK Edge) | t_v | — | 50 | ns |
| | Master Slave | | — | 50 | ns |
| 12 | Data Hold Time (Outputs) | t_{ho} | 0 | — | ns |
| | Master Slave | | 0 | — | ns |
| 13 | Rise Time | t_{ri} t_{ro} | — | 2 | μs |
| | Input Output | | — | 30 | ns |
| 14 | Fall Time | t_{fi} t_{fo} | — | 2 | μs |
| | Input Output | | — | 30 | ns |

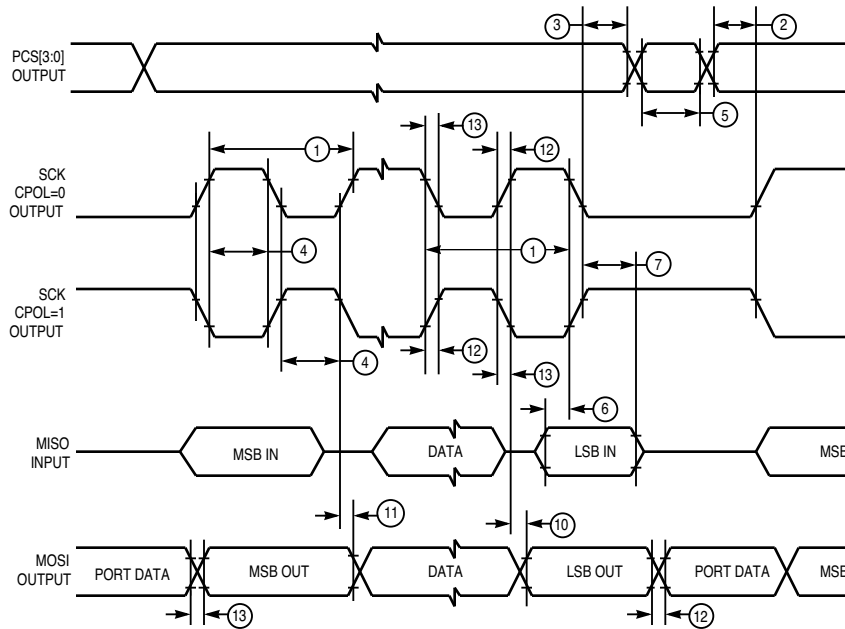
NOTES:

1. All AC timing is shown with respect to V_{IH}/V_{IL} levels unless otherwise noted.
2. For high time, n = External SCK rise time; for low time, n = External SCK fall time.



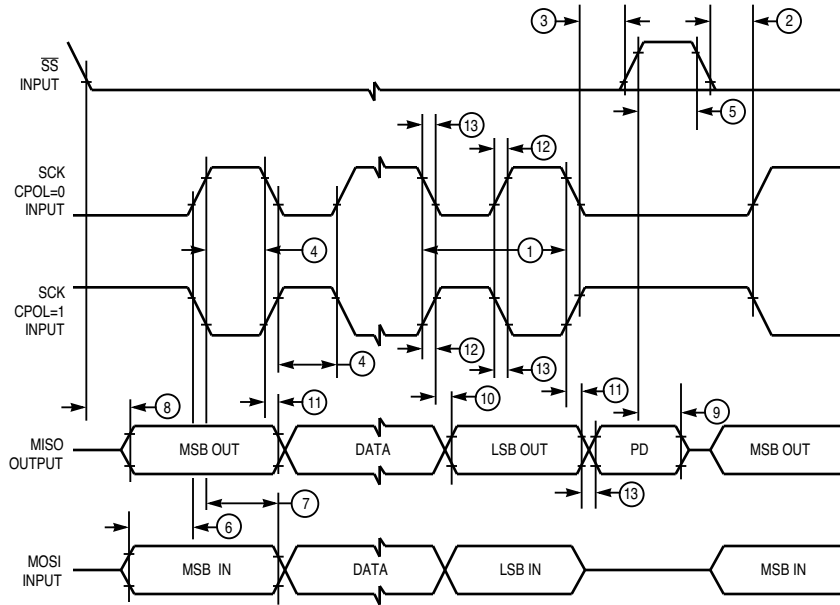
16 QSPI MAST CPHA0

Figure A-16 QSPI Timing — Master, CPHA = 0



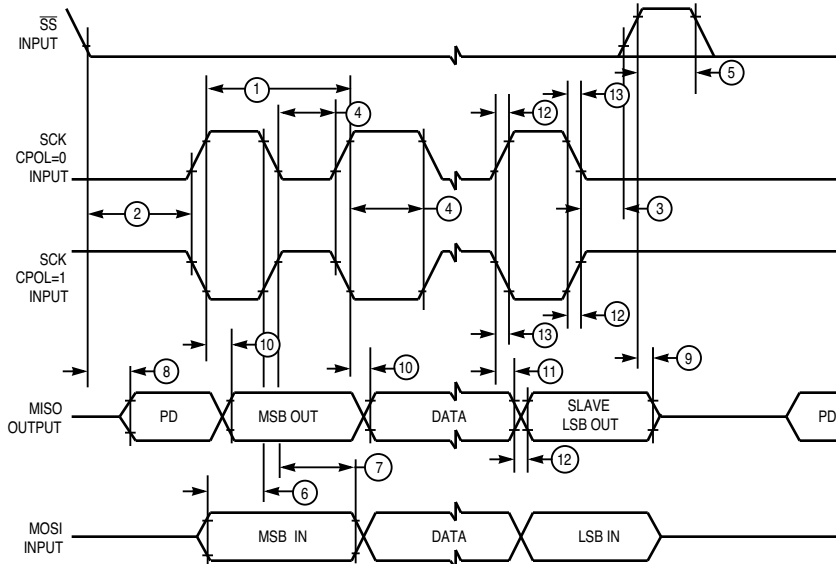
16 QSPI MAST CPHA1

Figure A-17 QSPI Timing — Master, CPHA = 1



16 QSPI SLV CPHA0

Figure A-18 QSPI Timing — Slave, CPHA = 0



16 QSPI SLV CPHA1

Figure A-19 QSPI Timing — Slave, CPHA = 1

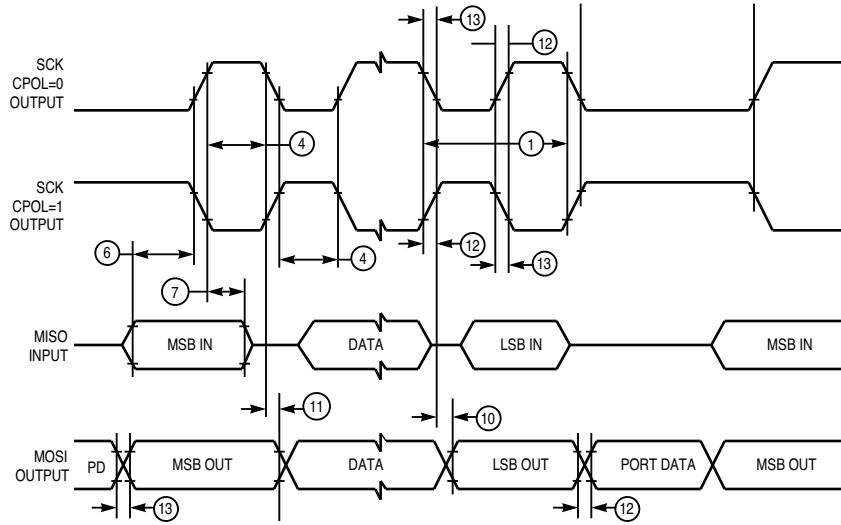
Table A-10 SPI Timing

(V_{DD} and $V_{DDSYN} = 5.0 \text{ Vdc} \pm 10\%$ for 16.78 MHz, $V_{SS} = 0 \text{ Vdc}$, $T_A = T_L$ to T_H)¹

| Num | Function | Symbol | Min | Max | Unit |
|-----|------------------------------|------------|------------------|---------------|---------------|
| 1 | Operating Frequency | f_{op} | DC | 1/4 | f_{sys} |
| | Master | | | DC | 1/4 |
| 2 | Cycle Time | t_{qcyt} | 4 | 510 | t_{cyc} |
| | Master | | | — | t_{cyc} |
| 3 | Enable Lead Time | t_{lead} | 2 | 128 | t_{cyc} |
| | Master | | | — | t_{cyc} |
| 4 | Enable Lag Time | t_{lag} | — | 1/2 | SCK |
| | Master | | | — | t_{cyc} |
| 5 | Clock (SCK) High or Low Time | t_{sw} | $2 t_{cyc} - 60$ | $255 t_{cyc}$ | ns |
| | Master | | | — | ns |
| 6 | Sequential Transfer Delay | t_{td} | 17 | 8192 | t_{cyc} |
| | Master | | | — | t_{cyc} |
| 7 | Data Setup Time (Inputs) | t_{su} | 30 | — | ns |
| | Master | | | — | ns |
| 8 | Data Hold Time (Inputs) | t_{hi} | 0 | — | ns |
| | Master | | | — | ns |
| 9 | Slave Access Time | t_a | — | 1 | t_{cyc} |
| | Slave | | | — | t_{cyc} |
| 10 | Slave MISO Disable Time | t_{dis} | — | 2 | t_{cyc} |
| | Slave | | | — | t_{cyc} |
| 11 | Data Valid (after SCK Edge) | t_v | — | 50 | ns |
| | Master | | | — | ns |
| 12 | Data Hold Time (Outputs) | t_{ho} | 0 | — | ns |
| | Master | | | — | ns |
| 13 | Rise Time | t_{ri} | — | 2 | μs |
| | Input | | | — | 30 |
| 14 | Fall Time | t_{fo} | — | 2 | μs |
| | Input | | | — | 30 |

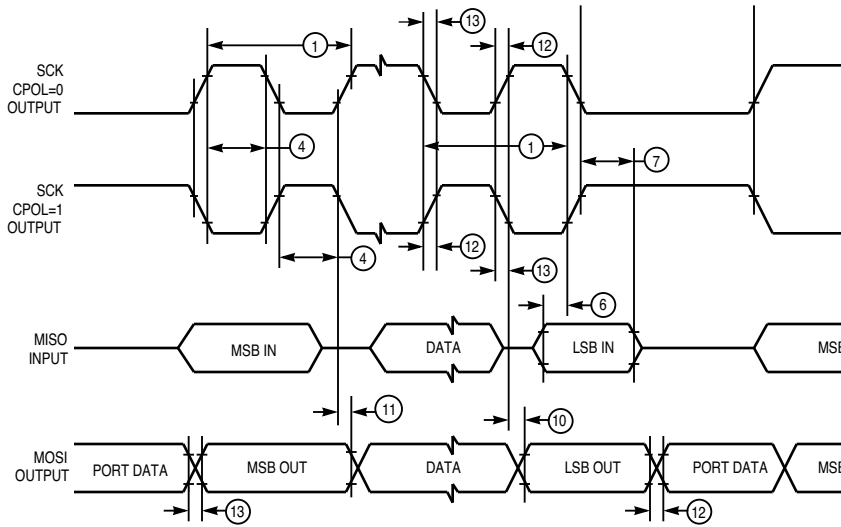
NOTES:

1. All AC timing is shown with respect to V_{IH}/V_{IL} levels unless otherwise noted.
2. For high time, n = External SCK rise time; for low time, n = External SCK fall time.



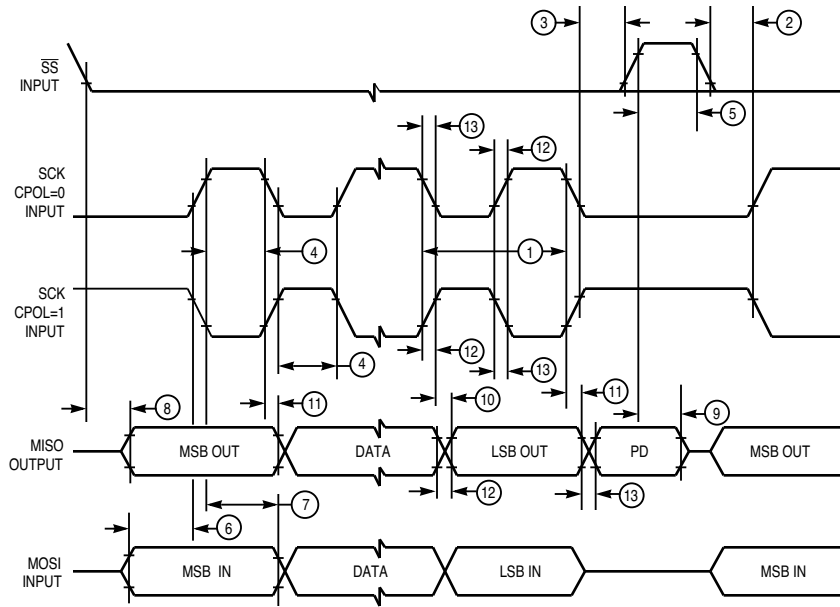
16 MCCI MAST CPHA0

Figure A-20 SPI Timing — Master, CPHA = 0



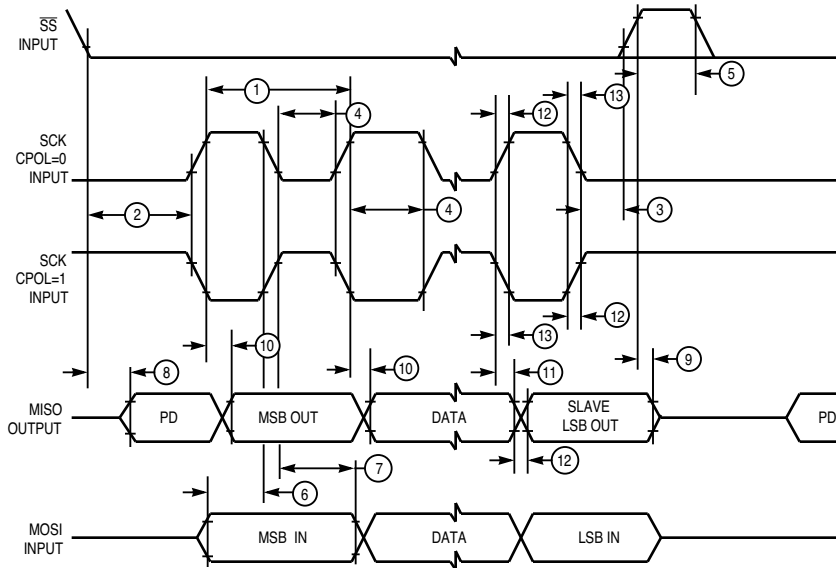
16 MCCI MAST CPHA1

Figure A-21 SPI Timing — Master, CPHA = 1



16 MCCI SLV CPHA0

Figure A-22 SPI Timing — Slave, CPHA = 0

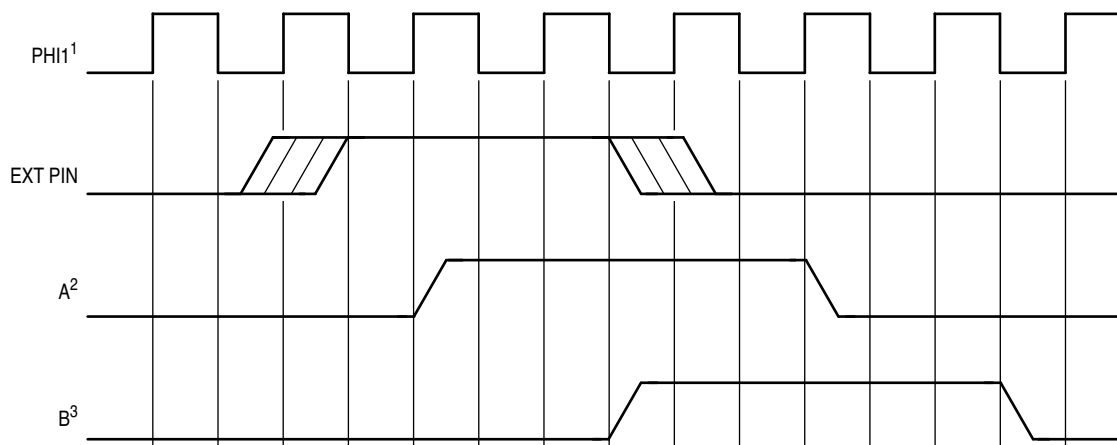


16 MCCI SLV CPHA1

Figure A-23 SPI Timing — Slave, CPHA = 1

Table A-11 General Purpose Timer AC Characteristics

| Num | Parameter | Symbol | Min | Max | Unit |
|-----|---------------------------|--------|----------|------------|------|
| 1 | Operating Frequency | Fclock | 0 | 16.78 | MHz |
| 2 | PCLK Frequency | Fpclk | 0 | 1/4 Fclock | MHz |
| 3 | Pulse Width Input Capture | PWtim | 2/Fclock | — | — |
| 4 | PWM Resolution | — | 2/Fclock | — | — |
| 5 | IC/OC Resolution | — | 4/Fclock | — | — |
| 6 | PCLK Width (PWM) | — | 4/Fclock | — | — |
| 7 | PCLK Width (IC/OC) | — | 4/Fclock | — | — |
| 8 | PAI Pulse Width | — | 2/Fclock | — | — |

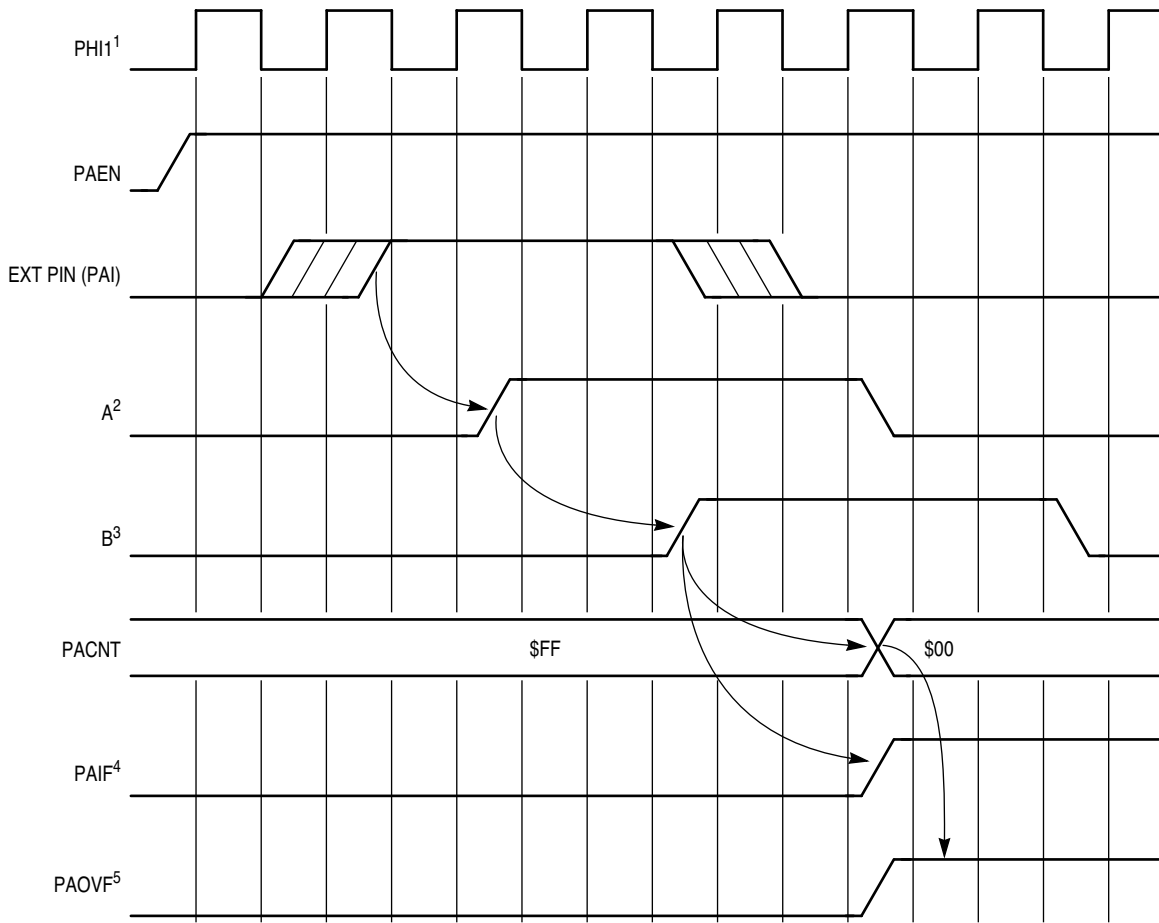


NOTES:

1. PHI1 IS THE SAME FREQUENCY AS THE SYSTEM CLOCK; HOWEVER, IT DOES NOT HAVE THE SAME TIMING.
2. A = INPUT SIGNAL AFTER THE SYNCHRONIZER.
3. B = "A" AFTER THE DIGITAL FILTER.

INPUT SIG CONDITIONER TIM

Figure A-24 Input Signal Conditioner Timing

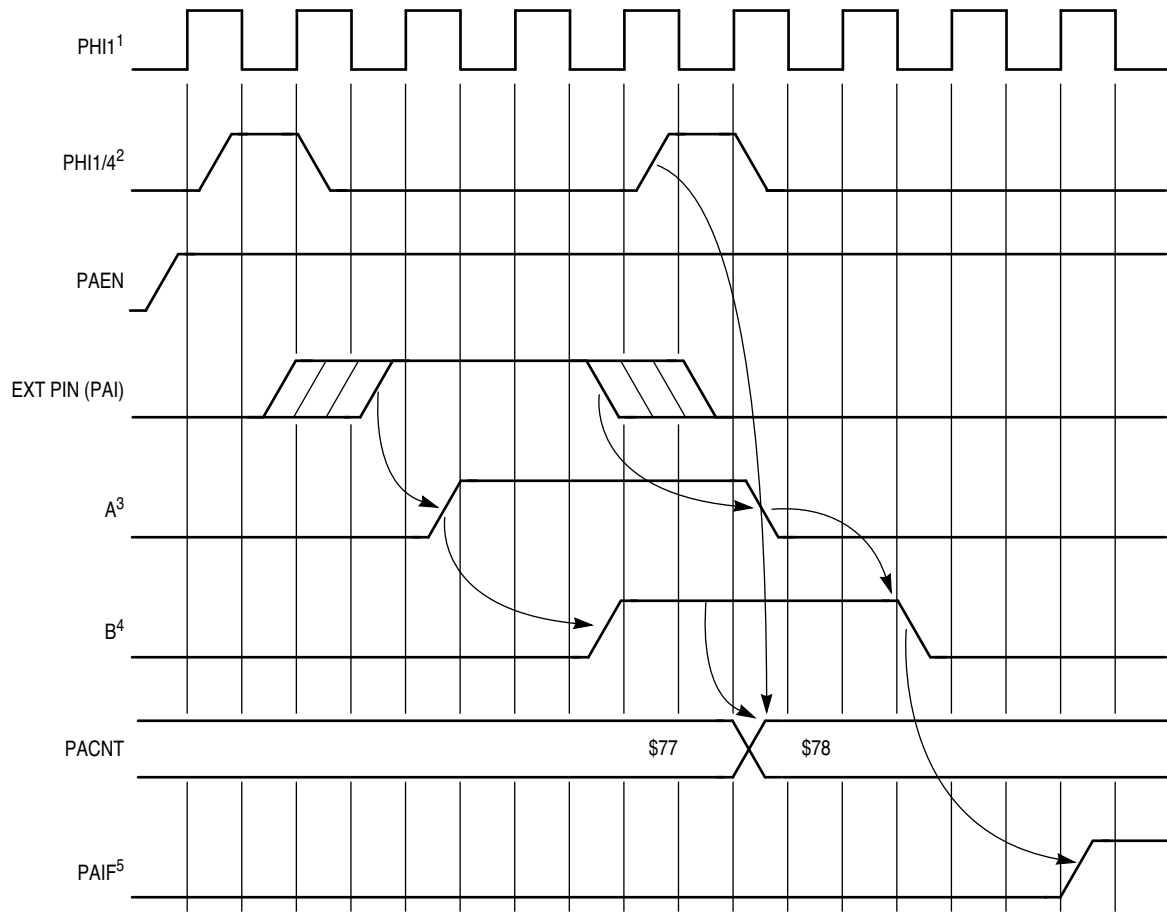


NOTES:

1. PHI1 IS THE SAME FREQUENCY AS THE SYSTEM CLOCK; HOWEVER, IT DOES NOT HAVE THE SAME TIMING.
2. A = PAI SIGNAL AFTER THE SYNCHRONIZER.
3. B = "A" AFTER THE DIGITAL FILTER.
4. THE EXTERNAL LEADING EDGE CAUSES THE PULSE ACCUMULATOR TO INCREMENT AND THE PAIF FLAG TO BE SET.
5. THE COUNTER TRANSITION FROM \$FF TO \$00 CAUSES THE PAOVF FLAG TO BE SET.

PULSE ACCUM ECM LEAD EDGE

Figure A-25 Pulse Accumulator — Event Counting Mode (Leading Edge)

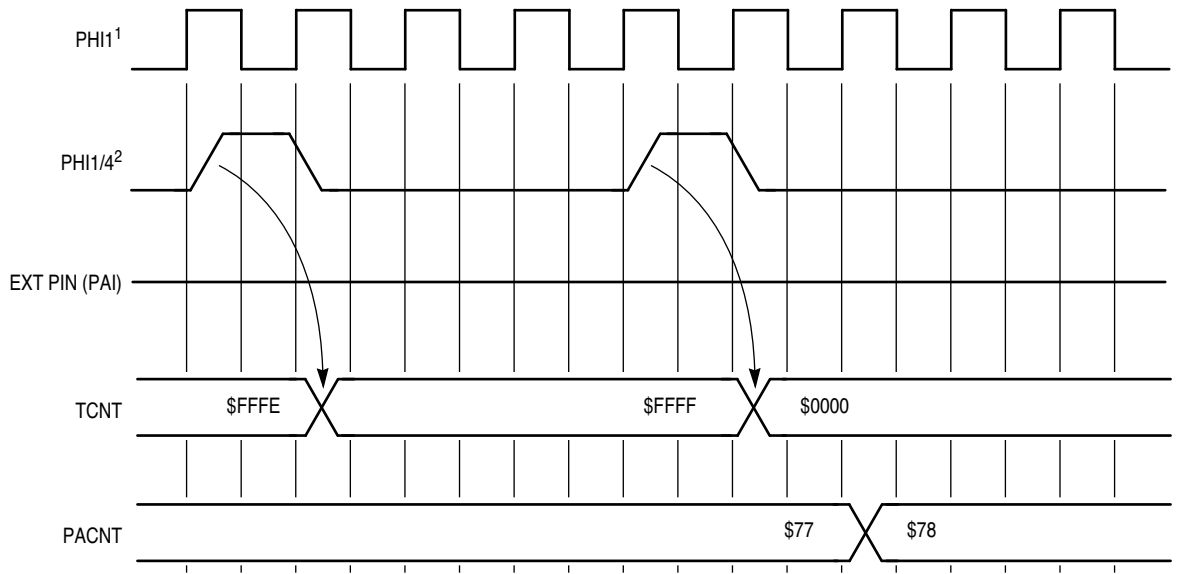


NOTES:

1. PHI1 HAS THE SAME FREQUENCY AS THE SYSTEM CLOCK; HOWEVER, IT DOES NOT HAVE THE SAME TIMING.
2. PHI1/4 CLOCKS PACNT WHEN GT-PAIF IS ASSERTED.
3. A = PAI SIGNAL AFTER THE SYNCHRONIZER.
4. B = "A" AFTER THE DIGITAL FILTER.
5. PAIF IS ASSERTED WHEN PAI IS NEGATED.

PULSE ACCUM GATED MODE

Figure A-26 Pulse Accumulator — Gated Mode (Count While Pin High)

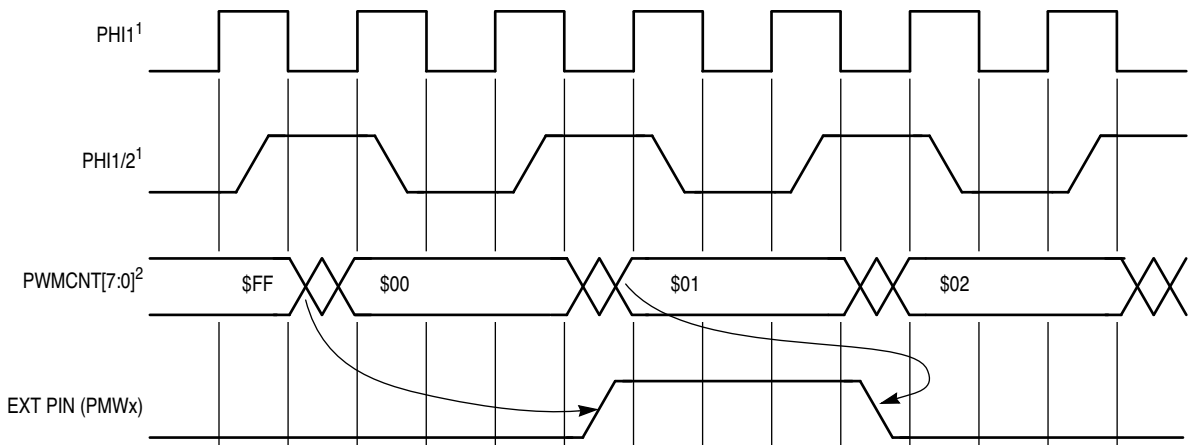


NOTES:

1. PHI1 HAS THE SAME FREQUENCY AS THE SYSTEM CLOCK; HOWEVER, IT DOES NOT HAVE THE SAME TIMING.
2. TCNT COUNTS AS A RESULT OF PHI1/4; PACNT COUNTS WHEN TCNT OVERFLOWS FROM \$FFFF TO \$0000 AND THE CONDITIONED PAI SIGNAL IS ASSERTED.

PULSE ACCUM TOF GATED MODE

Figure A-27 Pulse Accumulator — Using TOF as Gated Mode Clock

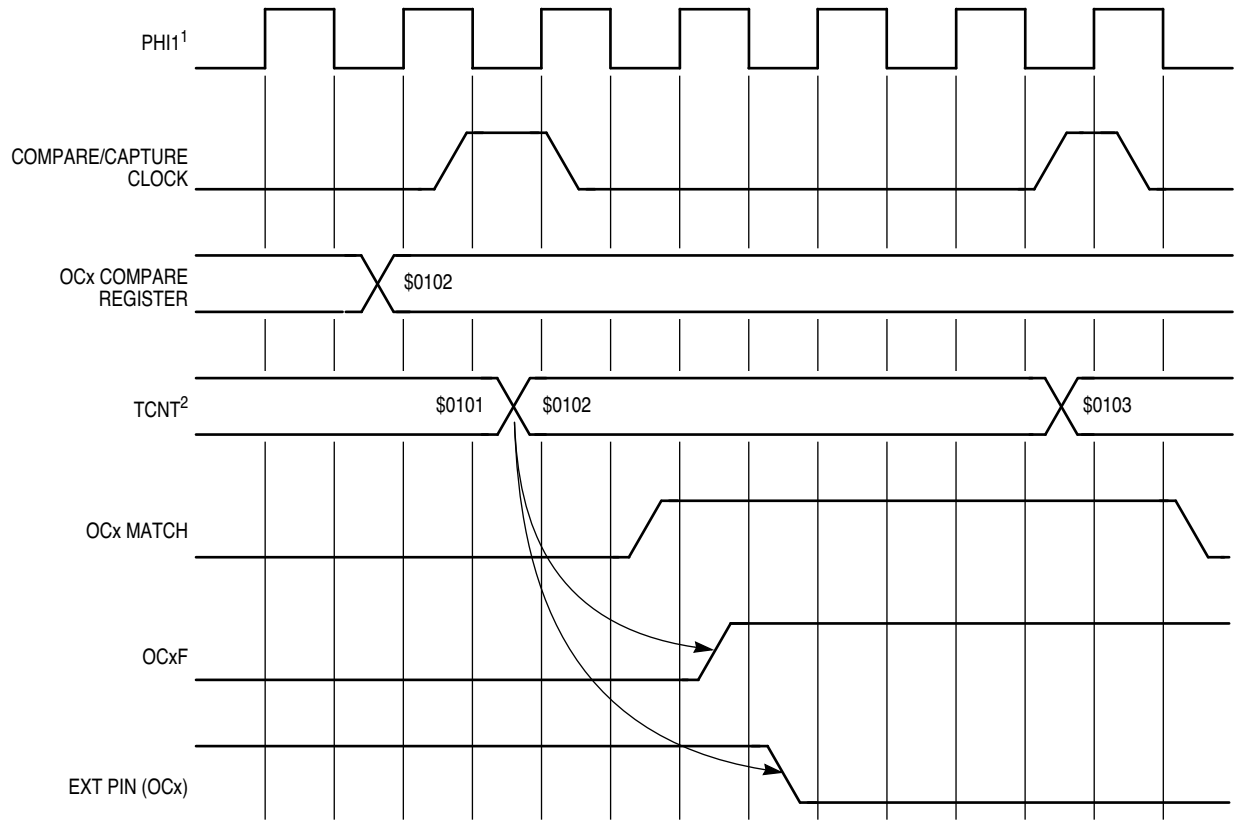


NOTES:

1. PHI1 IS THE SAME FREQUENCY AS THE SYSTEM CLOCK; HOWEVER, IT DOES NOT HAVE THE SAME TIMING.
2. WHEN THE COUNTER ROLLS OVER FROM \$FF TO \$00, THE PWM PIN IS SET TO LOGIC LEVEL ONE. WHEN THE COUNTER EQUALS THE PWM REGISTER, THE PWM PIN IS CLEARED TO A LOGIC LEVEL ZERO.

PWMx FAST MODE

Figure A-28 PWMx (PWMx Register = 01, Fast Mode)

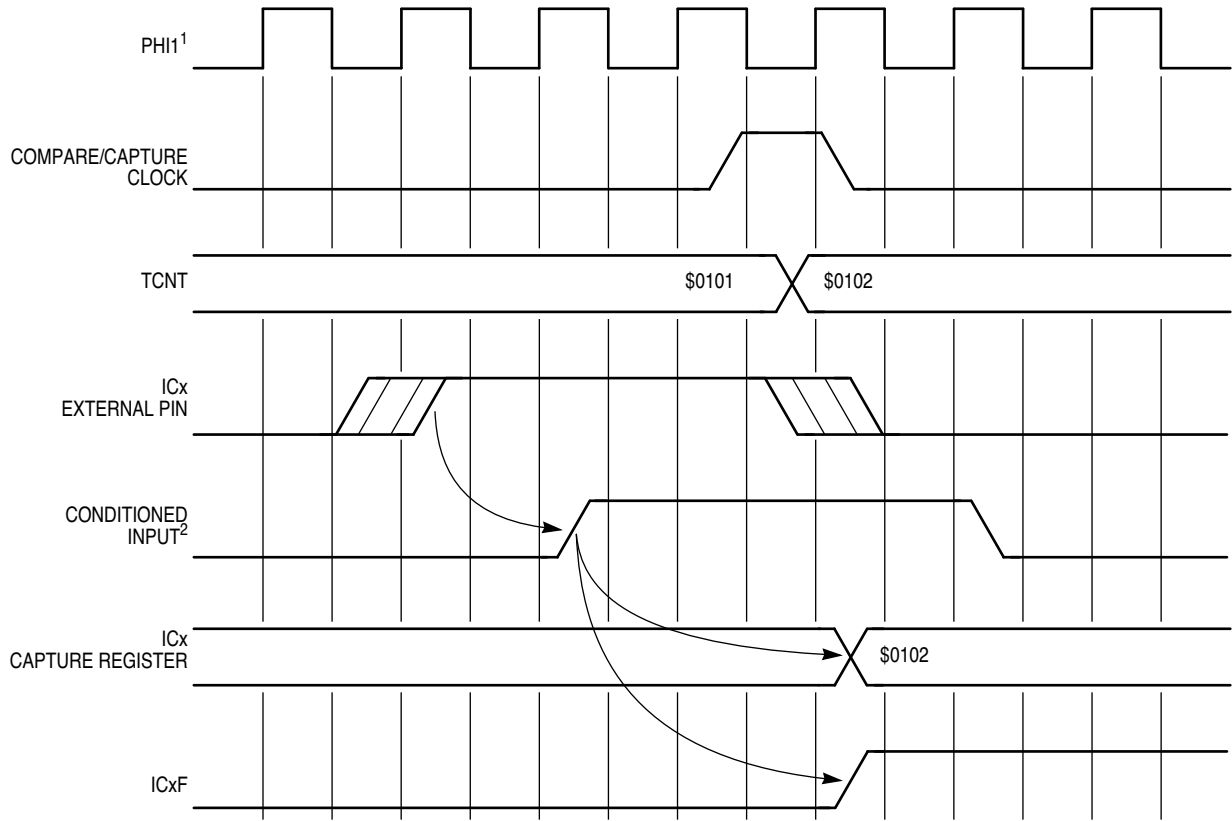


NOTES:

1. PHI1 IS THE SAME FREQUENCY AS THE SYSTEM CLOCK; HOWEVER, IT DOES NOT HAVE THE SAME TIMING.
2. WHEN THE TCNT MATCHES THE OCx COMPARE REGISTER, THE OCx FLAG IS SET FOLLOWED BY THE OCx PIN CHANGING STATE.

OUTPUT COMPARE

Figure A-29 Output Compare (Toggle Pin State)

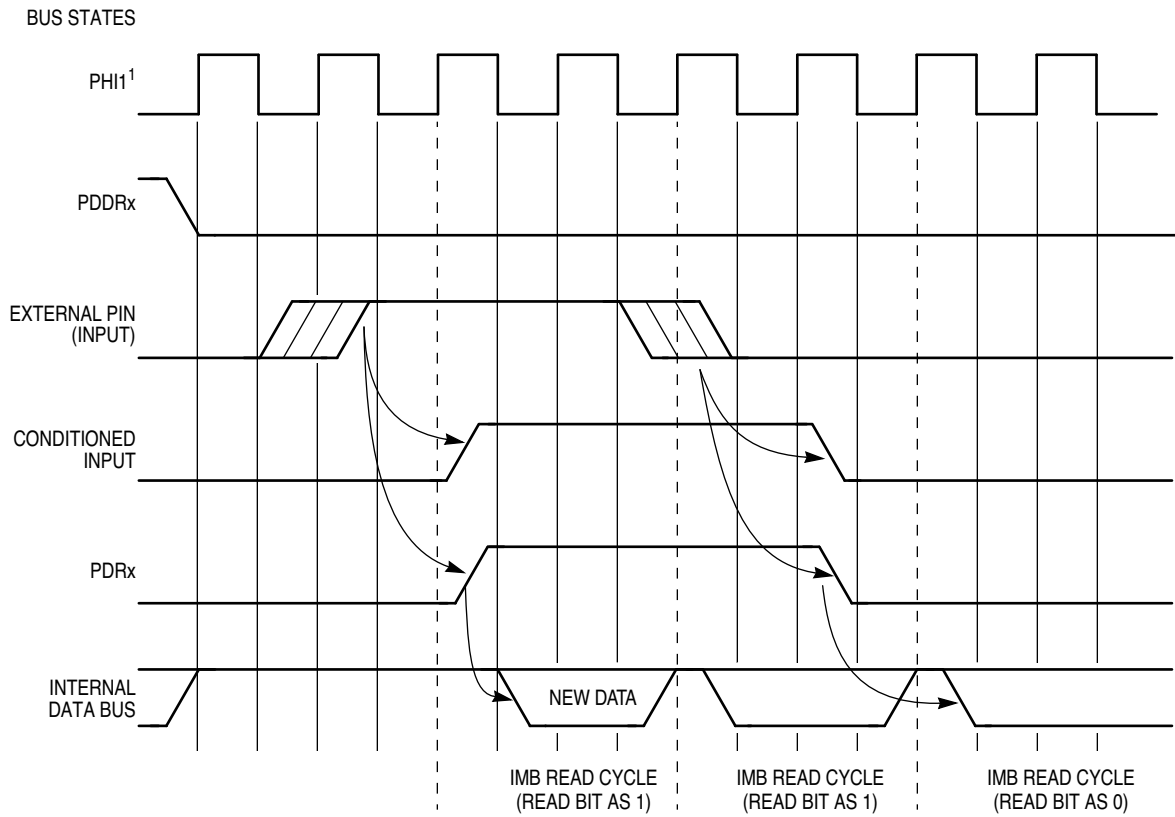


NOTES:

1. PHI1 IS THE SAME FREQUENCY AS THE SYSTEM CLOCK; HOWEVER, IT DOES NOT HAVE THE SAME TIMING.
2. THE CONDITIONED INPUT SIGNAL CAUSES THE CURRENT VALUE OF THE TCNT TO BE LATCHED BY THE ICx CAPTURE REGISTER. THE ICxF FLAG IS SET AT THE SAME TIME.

INPUT CAPTURE

Figure A-30 Input Capture (Capture on Rising Edge)

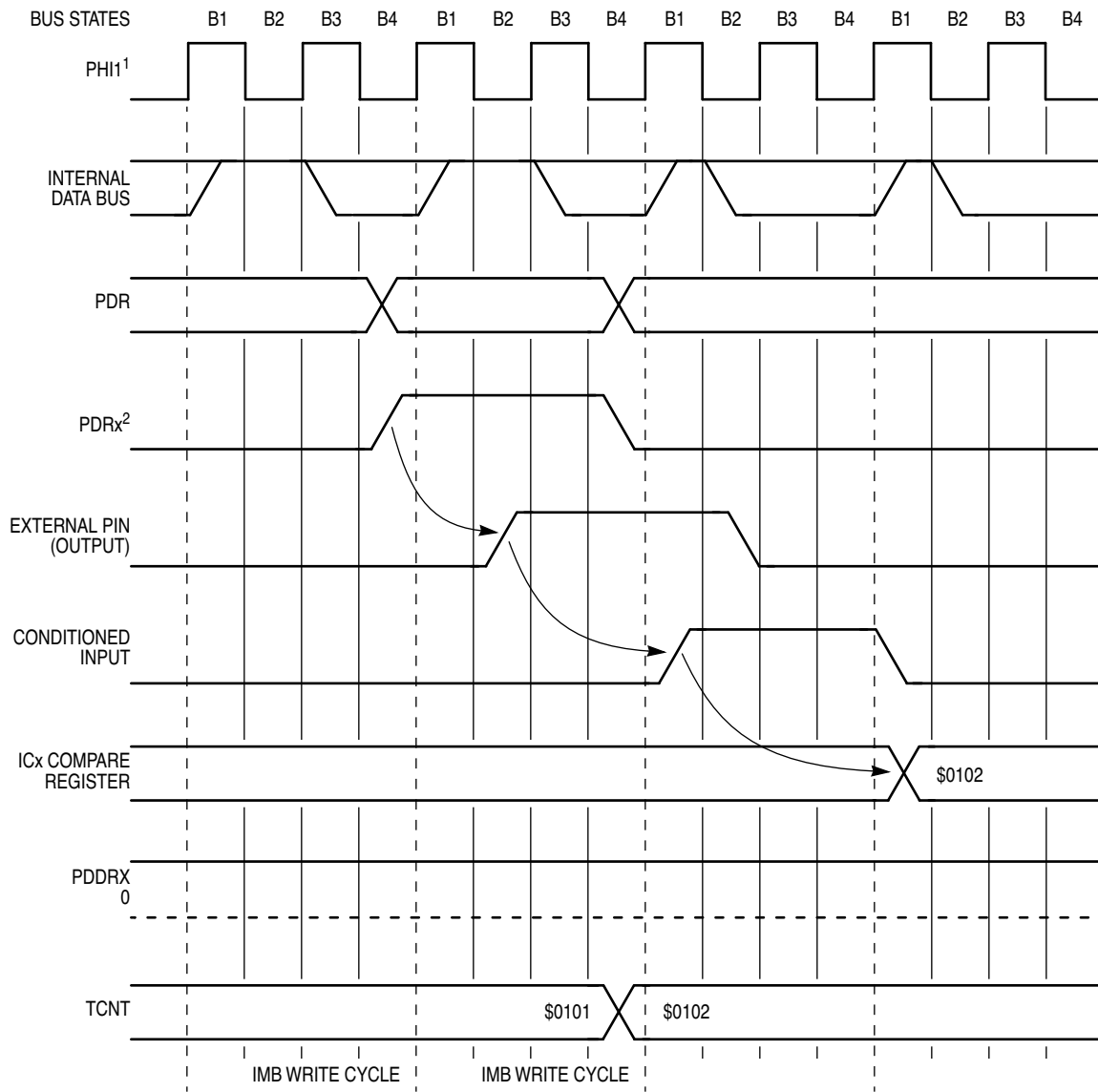


NOTES:

1. PHI1 IS THE SAME FREQUENCY AS THE SYSTEM CLOCK; HOWEVER, IT DOES NOT HAVE THE SAME TIMING.

GENERAL PURPOSE INPUT

Figure A-31 General-Purpose Input

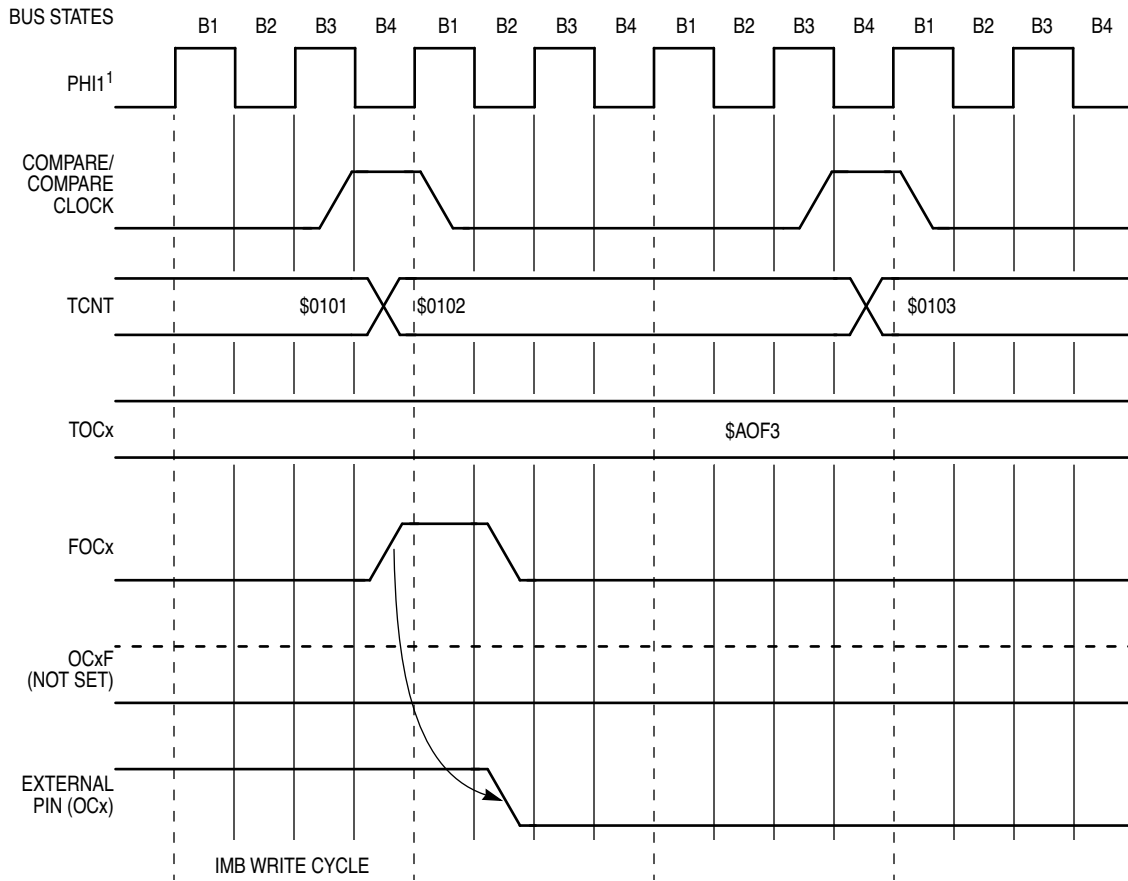


NOTES:

1. PHI1 IS THE SAME FREQUENCY AS THE SYSTEM CLOCK; HOWEVER, IT DOES NOT HAVE THE SAME TIMING.
2. WHEN THE BIT VALUE IS DRIVEN ON THE PIN, THE INPUT CIRCUIT SEES THE SIGNAL. AFTER IT IS CONDITIONED, IT CAUSES THE CONTENTS OF THE TCNT TO BE LATCHED INTO THE ICx COMPARE REGISTER.

GENERAL PURPOSE OUTPUT

Figure A-32 General-Purpose Output (Causes Input Capture)



NOTES:

1. PHI1 IS THE SAME FREQUENCY AS THE SYSTEM CLOCK; HOWEVER, IT DOES NOT HAVE THE SAME TIMING.

FORCE COMPARE

Figure A-33 Force Compare (CLEAR)

Table A-12 ADC Maximum Ratings

| Num | Parameter | Symbol | Min | Max | Unit |
|-----|--|---------------------|------|-----|---------|
| 1 | Analog Supply | V_{DDA} | -0.3 | 6.5 | V |
| 2 | Internal Digital Supply, with reference to V_{SSI} | V_{DDI} | -0.3 | 6.5 | V |
| 3 | Reference Supply, with reference to V_{SSI} | V_{RH}, V_{RL} | -0.3 | 6.5 | V |
| 4 | V_{SS} Differential Voltage | $V_{SSI} - V_{SSA}$ | -0.1 | 0.1 | V |
| 5 | V_{DD} Differential Voltage | $V_{DDI} - V_{DDA}$ | -6.5 | 6.5 | V |
| 6 | V_{REF} Differential Voltage | $V_{RH} - V_{RL}$ | -6.5 | 6.5 | V |
| 7 | V_{RH} to V_{DDA} Differential Voltage | $V_{RH} - V_{DDA}$ | -6.5 | 6.5 | V |
| 8 | V_{RL} to V_{SSA} Differential Voltage | $V_{RL} - V_{SSA}$ | -6.5 | 6.5 | V |
| 9 | Disruptive Input Current ^{1, 2, 3, 4, 5, 6, 7} $V_{NEGCLAMP} \cong -0.3$ V $V_{POSCLAMP} \cong 8$ V | I_{NA} | -500 | 500 | μ A |
| 10 | Positive Overvoltage Current Coupling Ratio ^{1, 5, 6, 8} | K_P | 2000 | — | — |
| 11 | Negative Overvoltage Current Coupling Ratio ^{1, 5, 6, 8} | K_N | 500 | — | — |
| 12 | Maximum Input Current ^{3, 4, 6} $V_{NEGCLAMP} \cong -0.3$ V $V_{POSCLAMP} \cong 8$ V | I_{MA} | -25 | 25 | mA |

NOTES:

- Below disruptive current conditions, a stressed channel will store the maximum conversion value for analog inputs greater than V_{RH} and the minimum conversion value for inputs less than V_{RL} . This assumes that $V_{RH} \leq V_{DDA}$ and $V_{RL} \geq V_{SSA}$ due to the presence of the sample amplifier. Other channels are not affected by non-disruptive conditions
- Input signals with large slew rates or high frequency noise components cannot be converted accurately. These signals also interfere with conversion of other channels.
- Exceeding limit may cause conversion error on stressed channels and on unstressed channels. Transitions within the limit do not affect device reliability or cause permanent damage.
- Input must be current limited to the value specified. To determine the value of the required current-limiting resistor, calculate resistance values using positive and negative clamp values, then use the larger of the calculated values.
- This parameter is periodically sampled rather than 100% tested.
- Applies to single pin only.
- The values of external system components can change the maximum input current value, and affect operation. A voltage drop may occur across the external source impedances of the adjacent pins, impacting conversions on these adjacent pins. The actual maximum may need to be determined by testing the complete design.
- Current coupling is the ratio of the current induced from overvoltage (positive or negative, through an external series coupling resistor), divided by the current induced on adjacent pins. A voltage drop may occur across the external source impedances of the adjacent pins, impacting conversions on these adjacent pins

Table A-13 ADC DC Electrical Characteristics (Operating)

($V_{SS} = 0$ Vdc, ADCLK = 2.1 MHz, $T_A = T_L$ to T_H)

| Num | Parameter | Symbol | Min | Max | Unit |
|-----|--|---------------------|-------------------|-------------------|---------------|
| 1 | Analog Supply ¹ | V_{DDA} | 4.5 | 5.5 | V |
| 2 | Internal Digital Supply ¹ | V_{DDI} | 4.5 | 5.5 | V |
| 3 | V_{SS} Differential Voltage | $V_{SSI} - V_{SSA}$ | -1.0 | 1.0 | mV |
| 4 | V_{DD} Differential Voltage | $V_{DDI} - V_{DDA}$ | -1.0 | 1.0 | V |
| 5 | Reference Voltage Low ^{2,3} | V_{RL} | V_{SSA} | $V_{DDA} / 2$ | V |
| 6 | Reference Voltage High ^{2,3} | V_{RH} | $V_{DDA} / 2$ | V_{DDA} | V |
| 7 | V_{REF} Differential Voltage ³ | $V_{RH} - V_{RL}$ | 4.5 | 5.5 | V |
| 8 | Input Voltage ² | V_{INDC} | V_{SSA} | V_{DDA} | V |
| 9 | Input High, Port ADA | V_{IH} | 0.7 (V_{DDA}) | $V_{DDA} + 0.3$ | V |
| 10 | Input Low, Port ADA | V_{IL} | $V_{SSA} - 0.3$ | 0.2 (V_{DDA}) | V |
| 11 | Analog Supply Current Normal Operation ⁴ Low-power stop | I_{DDA} | — — | 1.0 200 | mA μ A |
| 12 | Reference Supply Current | I_{REF} | — | 250 | μ A |
| 13 | Input Current, Off Channel ⁵ | I_{OFF} | — | 150 | nA |
| 14 | Total Input Capacitance, Not Sampling | C_{INN} | — | 10 | pF |
| 15 | Total Input Capacitance, Sampling | C_{INS} | — | 15 | pF |

NOTES:

- Refers to operation over full temperature and frequency range.
- To obtain full-scale, full-range results, $V_{SSA} \leq V_{RL} \leq V_{INDC} \leq V_{RH} \leq V_{DDA}$.
- Accuracy tested and guaranteed at $V_{RH} - V_{RL} = 5.0 \text{ V} \pm 5\%$.
- Current measured at maximum system clock frequency with ADC active.
- Maximum leakage occurs at maximum operating temperature. Current decreases by approximately one-half for each 10°C decrease from maximum temperature.

Table A-14 ADC AC Characteristics (Operating)

(V_{DD} and $V_{DDA} = 5.0$ Vdc $\pm 5\%$, $V_{SS} = 0$ Vdc, T_A within operating temperature range)

| Num | Parameter | Symbol | Min | Max | Unit |
|-----|---|-------------|-------------|-----|---------|
| 1 | ADC Clock Frequency | f_{ADCLK} | 0.5 | 2.1 | MHz |
| 2 | 8-bit Conversion Time ¹ $f_{ADCLK} = 1.0$ MHz $f_{ADCLK} = 2.1$ MHz | t_{CONV} | 15.2 7.6 | — | μ s |
| 3 | 10-bit Conversion Time ¹ $f_{ADCLK} = 1.0$ MHz $f_{ADCLK} = 2.1$ MHz | t_{CONV} | 17.1 8.6 | — | μ s |
| 4 | Stop Recovery Time | t_{SR} | — | 10 | μ s |

NOTES:

- Conversion accuracy varies with f_{ADCLK} rate. Reduced conversion accuracy occurs at maximum.

Table A-15 ADC Conversion Characteristics (Operating)

(V_{DD} and $V_{DDA} = 5.0 \text{ Vdc} \pm 5\%$, $V_{SS} = 0 \text{ Vdc}$, $T_A = T_L$ to T_H ,
 $0.5 \text{ MHz} \leq f_{ADCLK} \leq 1.0 \text{ MHz}$, 2 clock input sample time)

| Num | Parameter | Symbol | Min | Typical | Max | Unit |
|-----|---|---------|------|---------|-----|------------|
| 1 | 8-bit Resolution ¹ | 1 Count | — | 20 | — | mV |
| 2 | 8-bit Differential Nonlinearity | DNL | -0.5 | — | 0.5 | Counts |
| 3 | 8-bit Integral Nonlinearity | INL | -1 | — | 1 | Counts |
| 4 | 8-bit Absolute Error ² | AE | -1 | — | 1 | Counts |
| 5 | 10-bit Resolution ¹ | 1 Count | — | 5 | — | mV |
| 6 | 10-bit Differential Nonlinearity ³ | DNL | -0.5 | — | 0.5 | Counts |
| 7 | 10-bit Integral Nonlinearity ³ | INL | -2.0 | — | 2.0 | Counts |
| 8 | 10-bit Absolute Error ^{3,4} | AE | -2.5 | — | 2.5 | Counts |
| 9 | Source Impedance at Input ⁵ | R_S | — | 20 | — | k Ω |

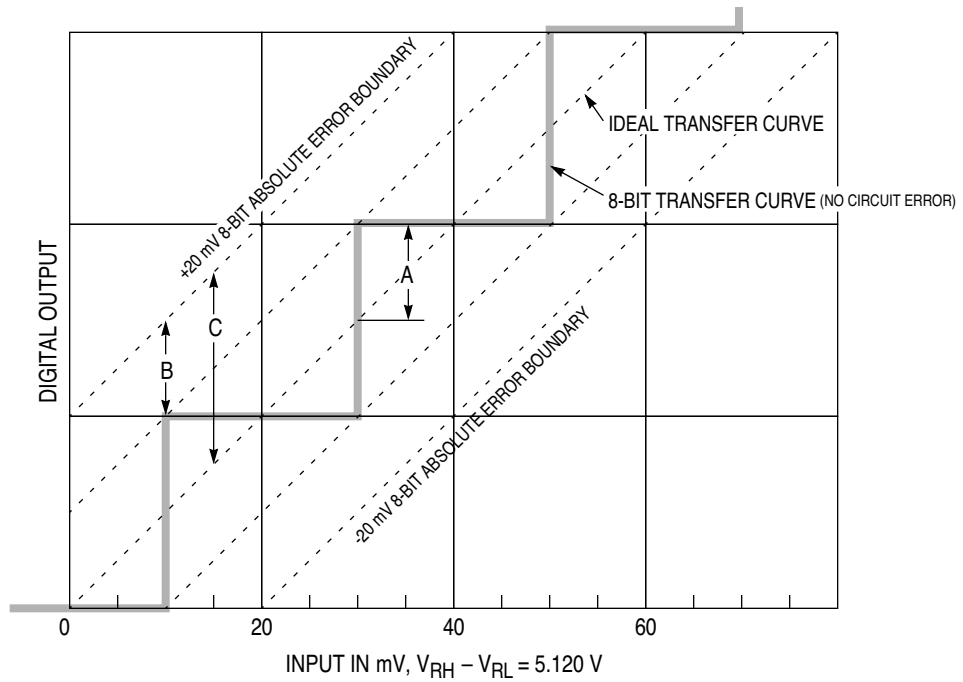
NOTES:

- At $V_{RH} - V_{RL} = 5.12 \text{ V}$, one 10-bit count = 5 mV and one 8-bit count = 20 mV.
- 8-bit absolute error of 1 count (20 mV) includes 1/2 count (10 mV) inherent quantization error and 1/2 count (10 mV) circuit (differential, integral, and offset) error.
- Conversion accuracy varies with f_{ADCLK} rate. Reduced conversion accuracy occurs at maximum f_{ADCLK} . Assumes that minimum sample time (2 ADC Clocks) is selected.
- 10-bit absolute error of 2.5 counts (12.5 mV) includes 1/2 count (2.5 mV) inherent quantization error and 2 counts (10 mV) circuit (differential, integral, and offset) error.
- Maximum source impedance is application-dependent. Error resulting from pin leakage depends on junction leakage into the pin and on leakage due to charge-sharing with internal capacitance. Error from junction leakage is a function of external source impedance and input leakage current. Expected error in result value due to junction leakage is expressed in voltage (V_{ERRJ}):

$$V_{ERRJ} = R_S \times I_{OFF}$$

where I_{OFF} is a function of operating temperature, as shown in **Table A-13**.

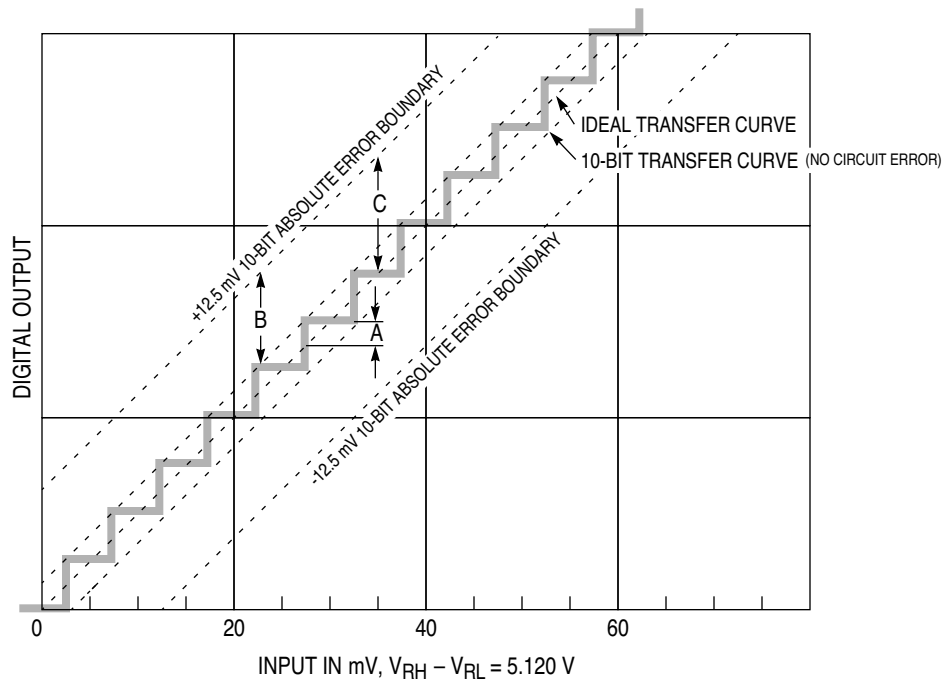
Charge-sharing leakage is a function of input source impedance, conversion rate, change in voltage between successive conversions, and the size of the decoupling capacitor used. Error levels are best determined empirically. In general, continuous conversion of the same channel may not be compatible with high source impedance.



- A – +1/2 COUNT (10 mV) INHERENT QUANTIZATION ERROR
- B – CIRCUIT-CONTRIBUTED +10mV ERROR
- C – + 20 mV ABSOLUTE ERROR (ONE 8-BIT COUNT)

ADC 8-BIT ACCURACY

Figure A-34 8-Bit ADC Conversion Accuracy



- A - +.5 COUNT (2.5 mV) INHERENT QUANTIZATION ERROR
- B - CIRCUIT-CONTRIBUTED +10 mV ERROR
- C - +12.5 mV ABSOLUTE ERROR (2.5 10-BIT COUNTS)

ADC 10-BIT ACCURACY

Figure A-35 10-Bit ADC Conversion Accuracy

Table A-16 TPUFLASH/Flash EEPROM Module Specifications

| Num | Characteristic | Symbol | Min | Max | Unit |
|-----|--|-----------|------------------------|---------------------------|--------------------------------------|
| 1 | Program/Erase Supply Voltage ¹ Read Operation Program/Erase/Verify Operation | V_{FPE} | $V_{DD} - 0.5$ 11.4 | 5.5 12.6 | V |
| 2 | Program/Erase Supply Current ² Read Operation Program/Erase/Verify Operation Verify (ENPE = 0) Program Byte (ENPE = 1) Program Word (ENPE = 1) Erase (ENPE = 1) | I_{FPE} | — — — — — | 15 50 15 30 4 | μ A μ A mA mA mA |
| 3 | Program Recovery Time ³ | t_{pr} | 1 | — | μ secs |
| 4 | Program Pulse Width | pW_{pp} | 20 | 25 | μ secs |
| 5 | Number of Program Pulses ⁴ | n_{pp} | — | 50 | — |
| 6 | Program Margin ⁵ | p_m | 100 | — | % |
| 7 | Number of Erase Pulses ⁴ | n_{ep} | — | 5 | — |
| 8 | Erase Pulse Time ($t_{ei} \times k$) | t_{epk} | 90 | 550 | ms |
| 9 | Amount to Increment t_{ep} | t_{ei} | 90 | 110 | ms |
| 10 | Erase Margin n_{ep} $\sum t_{ei} \times k$ $k = 1$ | e_m | 90 | 1650 | ms |
| 11 | Erase Recovery Time ³ | t_{er} | — | 1 | ms |
| 12 | Low-Power Stop Recovery Time ^{3, 6} | t_{sb} | — | 1 | μ secs |

NOTES:

- V_{FPE} must not be raised to programming voltage while V_{DD} is below specified minimum value. V_{FPE} must not be reduced below minimum specified value while V_{DD} is applied.
- Current parameters apply to each individual EEPROM module.
- Minimum software delay from the end of the write cycle that clears ENPE bit to the read of the flash array
- Without margin.
- At 100% margin, the number of margin pulses required is the same as the number of pulses used to program the byte or word.
- Minimum software delay from the end of the write cycle that clears the STOP bit to the read of the flash array.

Table A-17 TPUFLASH/Flash EEPROM Module Life

| Num | Parameter | Symbol | Value | Unit |
|-----|--------------------------------------|----------|-------|------|
| 1 | Program-Erase Endurance ¹ | e_{pe} | 100 | cyc |
| 2 | Data Retention ² | r_d | 10 | yr |

NOTES:

- Number of program-erase cycles (1 to 0, 0 to 1) per bit.
- Parameter based on accelerated-life testing with standard test pattern.

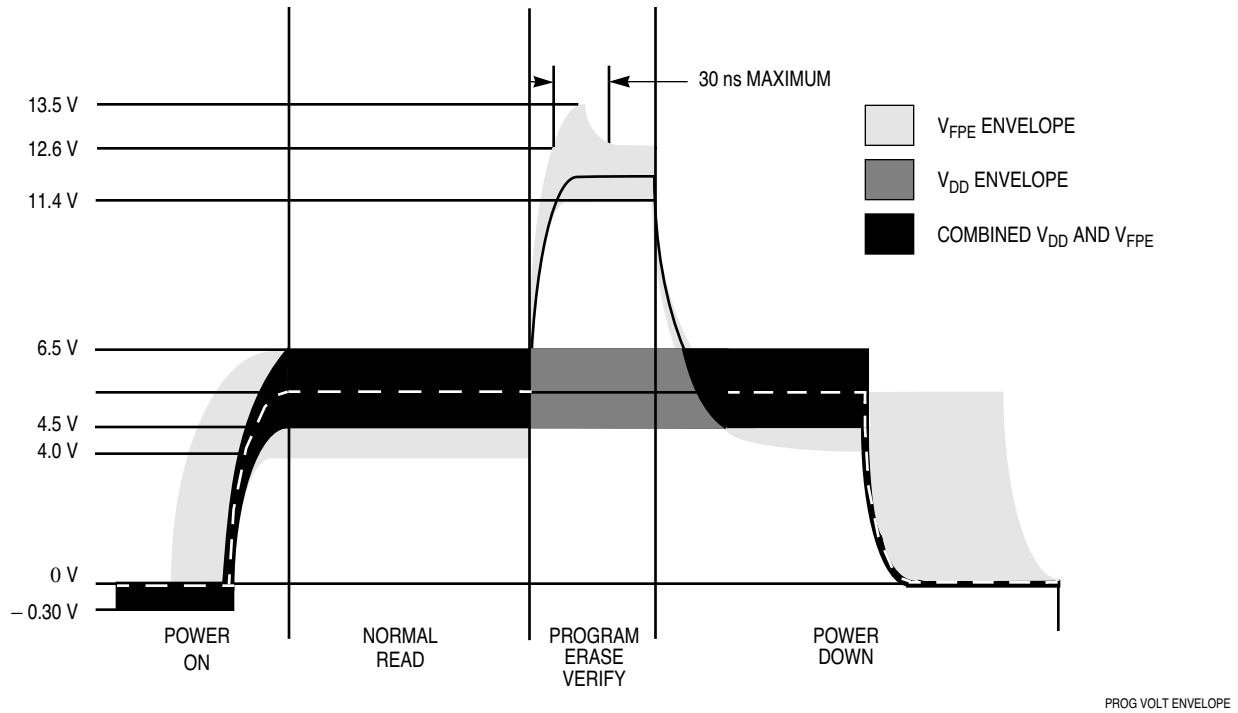


Figure A-36 Programming Voltage Envelope

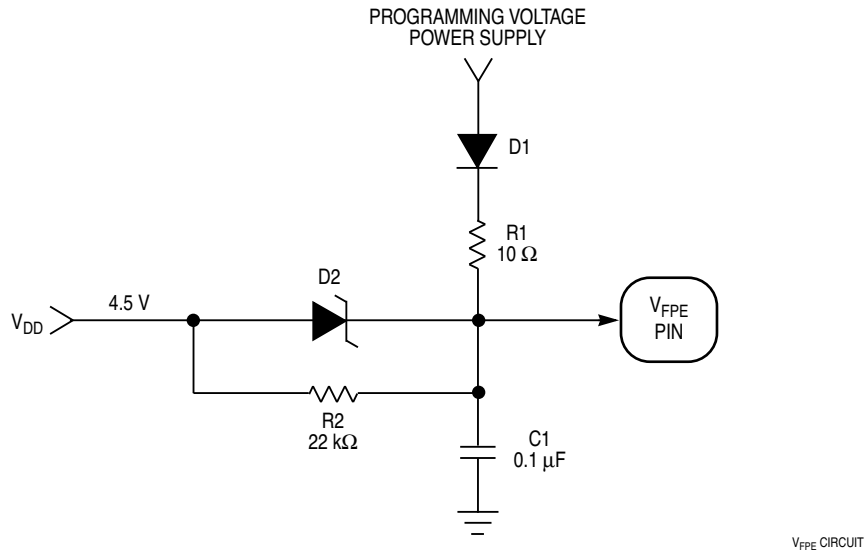
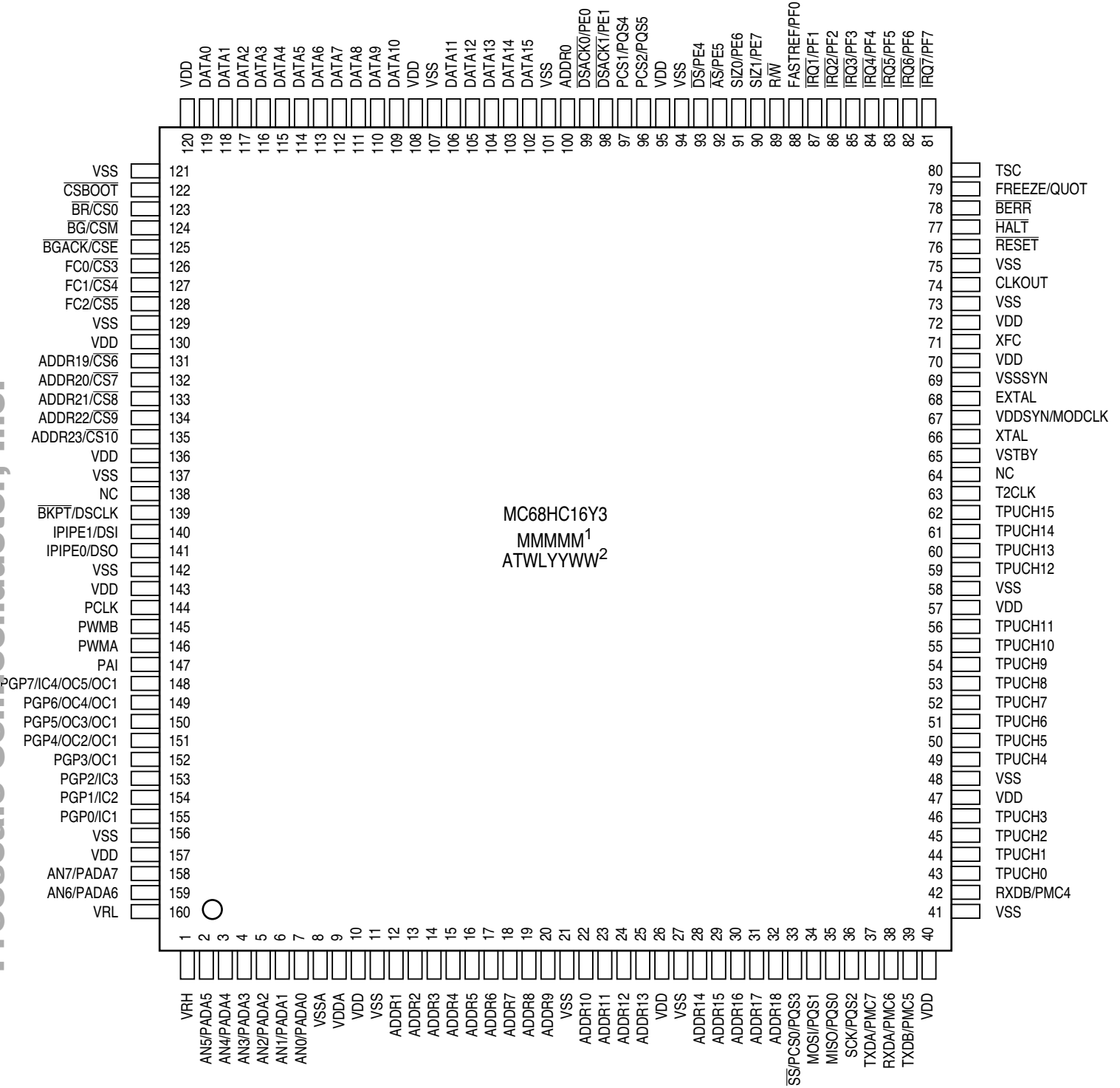


Figure A-37 V_{FPE} Conditioning Circuit

APPENDIX B MECHANICAL DATA AND ORDERING INFORMATION

MC68HC16Y3 and MC68HC916Y3 microcontrollers are available in a 160-pin plastic surface mount package. This appendix provides a package pin assignment drawings, a dimensional drawing, and ordering information.

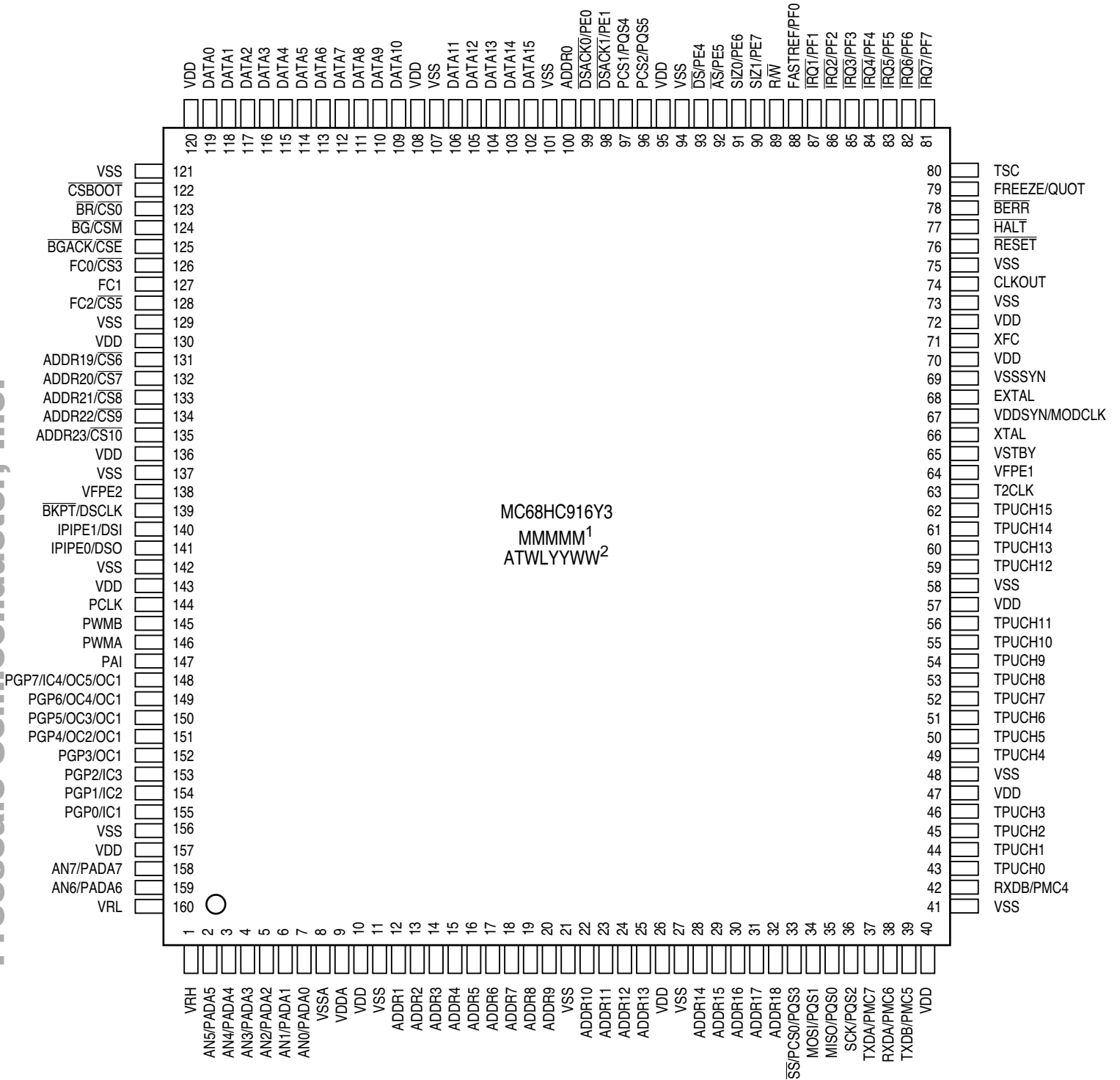


NOTES:

1. MMMMM = MASK OPTION NUMBER
2. ATWLYYWW = ASSEMBLY TEST LOCATION/YEAR, WEEK

MC68HC16Y3 160-PIN QFP

Figure B-1 MC68HC16Y3 Pin Assignment for 160-Pin Package

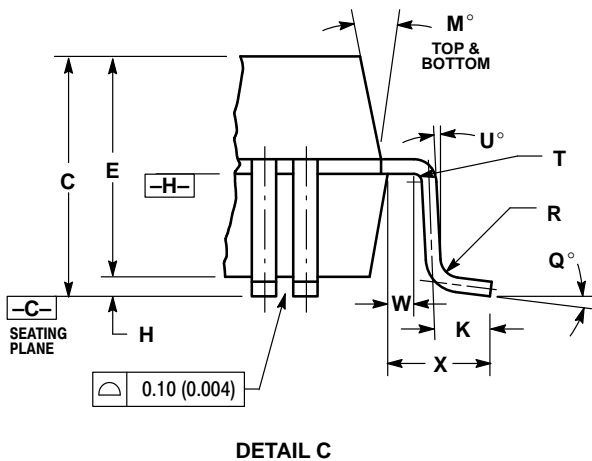
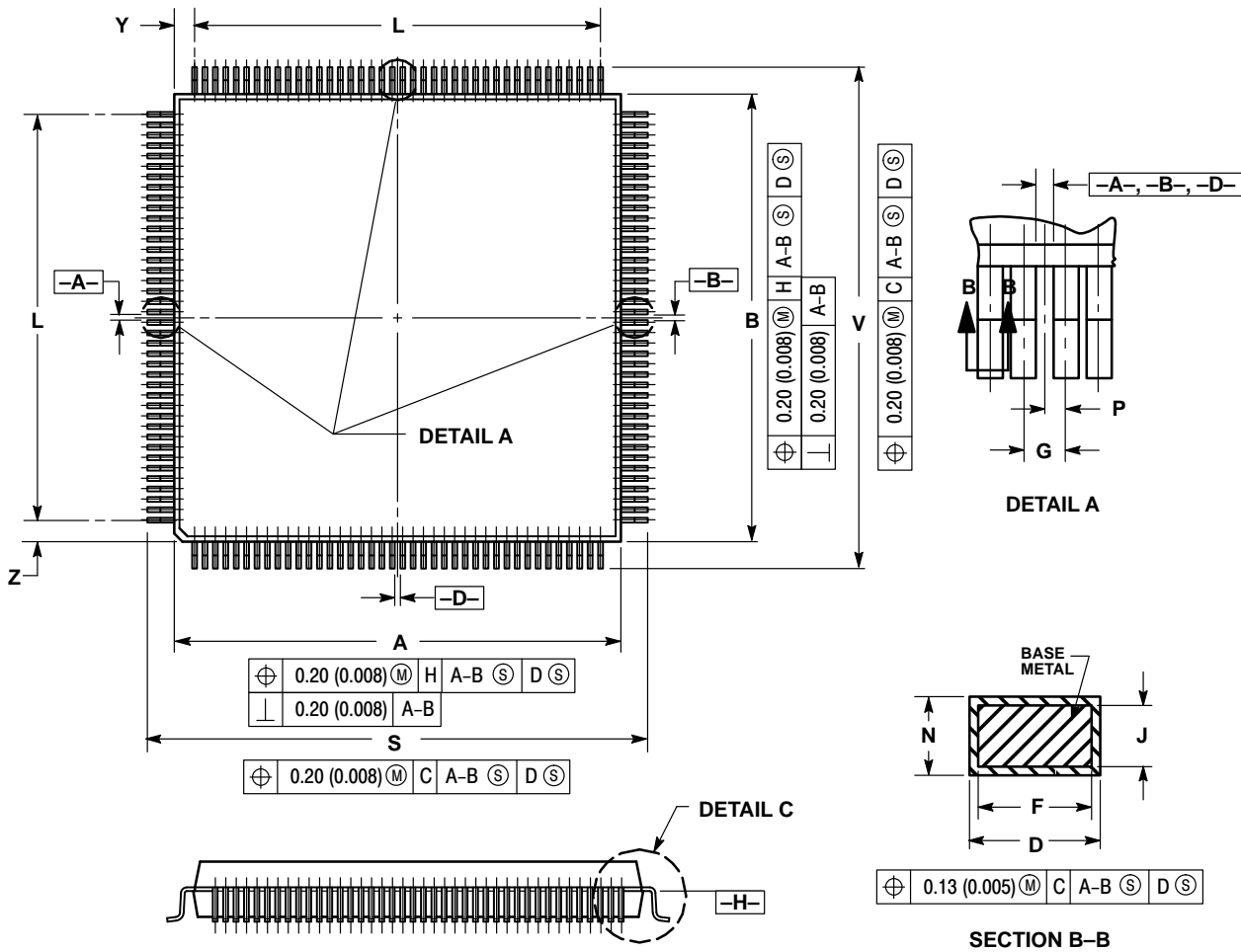


NOTES:
 1. MMMMM = MASK OPTION NUMBER
 2. ATWLYYWW = ASSEMBLY TEST LOCATION/YEAR, WEEK

MC68HC916Y3 160-PIN QFP

Figure B-2 MC68HC916Y3 Pin Assignment for 160-Pin Package

Downloaded from Elcodis.com electronic components distributor



- NOTES:
1. DIMENSIONING AND TOLERANCING PER ANSI Y14.5M, 1982.
 2. CONTROLLING DIMENSION: MILLIMETER.
 3. DATUM PLANE -H- IS LOCATED AT BOTTOM OF LEAD AND IS COINCIDENT WITH THE LEAD WHERE THE LEAD EXITS THE PLASTIC BODY AT THE BOTTOM OF THE PARTING LINE.
 4. DATUMS -A-, -B- AND -D- TO BE DETERMINED AT DATUM PLANE -H-.
 5. DIMENSIONS S AND V TO BE DETERMINED AT SEATING PLANE -C-.
 6. DIMENSIONS A AND B DO NOT INCLUDE MOLD PROTRUSION. ALLOWABLE PROTRUSION IS 0.25 (0.010) PER SIDE. DIMENSIONS A AND B DO INCLUDE MOLD MISMATCH AND ARE DETERMINED AT DATUM PLANE -H-.
 7. DIMENSION D DOES NOT INCLUDE DAMBAR PROTRUSION. ALLOWABLE DAMBAR PROTRUSION SHALL BE 0.08 (0.003) TOTAL IN EXCESS OF THE D DIMENSION AT MAXIMUM MATERIAL CONDITION. DAMBAR CANNOT BE LOCATED ON THE LOWER RADIUS OR THE FOOT.

| DIM | MILLIMETERS | | INCHES | |
|-----|-------------|-------|-----------|-------|
| | MIN | MAX | MIN | MAX |
| A | 27.90 | 28.10 | 1.098 | 1.106 |
| B | 27.90 | 28.10 | 1.098 | 1.106 |
| C | 3.35 | 3.85 | 0.132 | 0.152 |
| D | 0.22 | 0.38 | 0.009 | 0.015 |
| E | 3.20 | 3.50 | 0.126 | 0.138 |
| F | 0.22 | 0.33 | 0.009 | 0.013 |
| G | 0.65 BSC | | 0.026 REF | |
| H | 0.25 | 0.35 | 0.010 | 0.014 |
| J | 0.11 | 0.23 | 0.004 | 0.009 |
| K | 0.70 | 0.90 | 0.028 | 0.035 |
| L | 25.35 REF | | 0.998 REF | |
| M | 5° | 16° | 5° | 16° |
| N | 0.11 | 0.19 | 0.004 | 0.007 |
| P | 0.325 BSC | | 0.013 BSC | |
| Q | 0° | 7° | 0° | 7° |
| R | 0.13 | 0.30 | 0.005 | 0.012 |
| S | 31.00 | 31.40 | 1.220 | 1.236 |
| T | 0.13 | --- | 0.005 | --- |
| U | 0° | --- | 0° | --- |
| V | 31.00 | 31.40 | 1.220 | 1.236 |
| W | 0.40 | --- | 0.016 | --- |
| X | 1.60 REF | | 0.063 REF | |
| Y | 1.33 REF | | 0.052 REF | |
| Z | 1.33 REF | | 0.052 REF | |

Case Outline 864A-03

Figure B-3 160-Pin Package Dimensions

Freescale Semiconductor, Inc.

B.1 Obtaining Updated MC68HC16Y3/916Y3 MCU Mechanical Information

Although all devices manufactured by Motorola conform to current JEDEC standards, complete mechanical information regarding MC68HC16Y3/916Y3 microcontrollers is available through Motorola's Design-Net.

To download updated package specifications, perform the following steps:

1. Visit the Design-Net case outline database search engine at <http://design-net.com/cgi-bin/cases>.
2. Enter the case outline number, located in **Figure B-3** without the revision code (for example, 864A, not 864A-03) in the field next to the search button.
3. Download the file with the new package diagram.

B.2 Ordering Information

Use the information in **Table B-1** to specify the appropriate device when placing an order.

NOTE

Ordering information for MC68HC16Y3/916Y3 microcontrollers is currently not available for this revision.

Table B-1 M68HC16Y3/916Y3 Ordering Information

| Device | Crystal Input | Package Type | Temperature | Frequency (MHz) | Package Order Quantity | Order Number |
|----------------------------|---------------|--------------|-------------|-----------------|------------------------|--------------|
| NOT AVAILABLE AT THIS TIME | | | | | | |

APPENDIX C DEVELOPMENT SUPPORT

This section serves as a brief reference to Motorola development tools for MC68HC16Y3/916Y3 microcontrollers.

Information provided is complete as of the time of publication, but new systems and software are continually being developed. In addition, there is a growing number of third-party tools available. The Motorola *Microcontroller Development Tools Directory* (MCUDEVTDIR/D Revision. 3) provides an up-to-date list of development tools. Contact your Motorola representative for further information.

C.1 M68MMDS1632 Modular Development System

The M68MMDS1632 Motorola Modular Development System (MMDS) is a development tool for evaluating M68HC16 and M68300 MCU-based systems. The MMDS1632 is an in-circuit emulator, which includes a station module and active probe. A separately purchased MPB and PPB completes MMDS functionality with regard to a particular MCU or MCU family. The many MPBs and PPBs available let your MMDS emulate a variety of different MCUs. Contact your Motorola sales representative, who will assist you in selecting and configuring the modular system that fits your needs. A full-featured development system, the MMDS provides both in-circuit emulation and bus analysis capabilities, including:

- Real-time in-circuit emulation at maximum speed of 16 MHz
- Built-in emulation memory
 - 1-Mbyte main emulation memory (three-clock bus cycle)
 - 256-Kbyte fast termination (two-clock bus cycle)
 - 4-Kbyte dual-port emulation memory (three-clock bus cycle)
- Real-time bus analysis
 - Instruction disassembly
 - State-machine-controlled triggering
- Four hardware breakpoints, bitwise masking
- Analog/digital emulation
- Synchronized signal output
- Built-in AC power supply, 90 - 264 V, 50 - 60 Hz, FCC and EC EMI compliant
- RS-232 connection to host capable of communicating at 1200, 2400, 4800, 9600, 19200, 38400, or 57600 baud

C.2 M68MEVB1632 Modular Evaluation Board

The M68MEVB1632 Modular Evaluation Board (MEVB) is a development tool for evaluating M68HC16 and M68300 MCU-based systems. The MEVB consists of the M68MPFB1632 modular platform board, an MCU personality board (MPB), an in-circuit debugger (ICD16 or ICD32), and development software. MEVB features include:

- An economical means of evaluating target systems incorporating M68HC16 and

Freescale Semiconductor, Inc.

M68300 HCMOS MCU devices.

- Expansion memory sockets for installing RAM, EPROM, or EEPROM.
 - Data RAM: 32K x 16, 128K x 16, or 512K x 16
 - EPROM/EEPROM: 32K x 16, 64K x 16, 128K x 16, 256K x 16, or 512K x 16
 - Fast RAM: 32K x 16 or 128K x 16
- Background-mode operation, for detailed operation from a personal computer platform without an on-board monitor.
- Integrated assembly/editing/evaluation/programming environment for easy development.
- As many as seven software breakpoints.
- Re-usable ICD hardware for your target application debug or control.
- Two RS-232C terminal input/output (I/O) ports for user evaluation of the serial communication interface.
- Logic analyzer pod connectors.
- Port replacement unit (PRU) to rebuild I/O ports lost to address/data/control.
- On-board V_{PP} (+12 VDC) generation for MCU and flash EEPROM programming.
- On-board wire-wrap area.

APPENDIX D REGISTER SUMMARY

This appendix contains address maps, register diagrams, and bit/field definitions for MC68HC16Y3/916Y3 MCUs. More detailed information about register function is provided in the appropriate sections of the manual.

Except for central processing unit resources, information is presented in the intermodule bus address order shown in **Table D-1**.

Table D-1 Module Address Map

| Module | Size (Bytes) | Base Address |
|---|--------------|--------------|
| SCIM2 | 128 | \$YFFA00 |
| 2K SRAM (MC68HC916Y3) | 8 | \$YFFB00 |
| 4K SRAM (MC68HC16Y3) | 8 | \$YFFB00 |
| MRM (MC68HC16Y3 only) | 32 | \$YFF820 |
| 16K, 48K, and 32K FLASH EEPROM (MC68HC916Y3 only) | 32 | \$YFF800 |
| ADC | 64 | \$YFF700 |
| QSM | 512 | \$YFF400 |
| MCCI | 64 | \$YFFC00 |
| GPT | 256 | \$YFF900 |
| TPU2 | 512 | \$YFFE00 |
| TPUFLASH (MC68HC916Y3 only) | 2 | \$YFF860 |

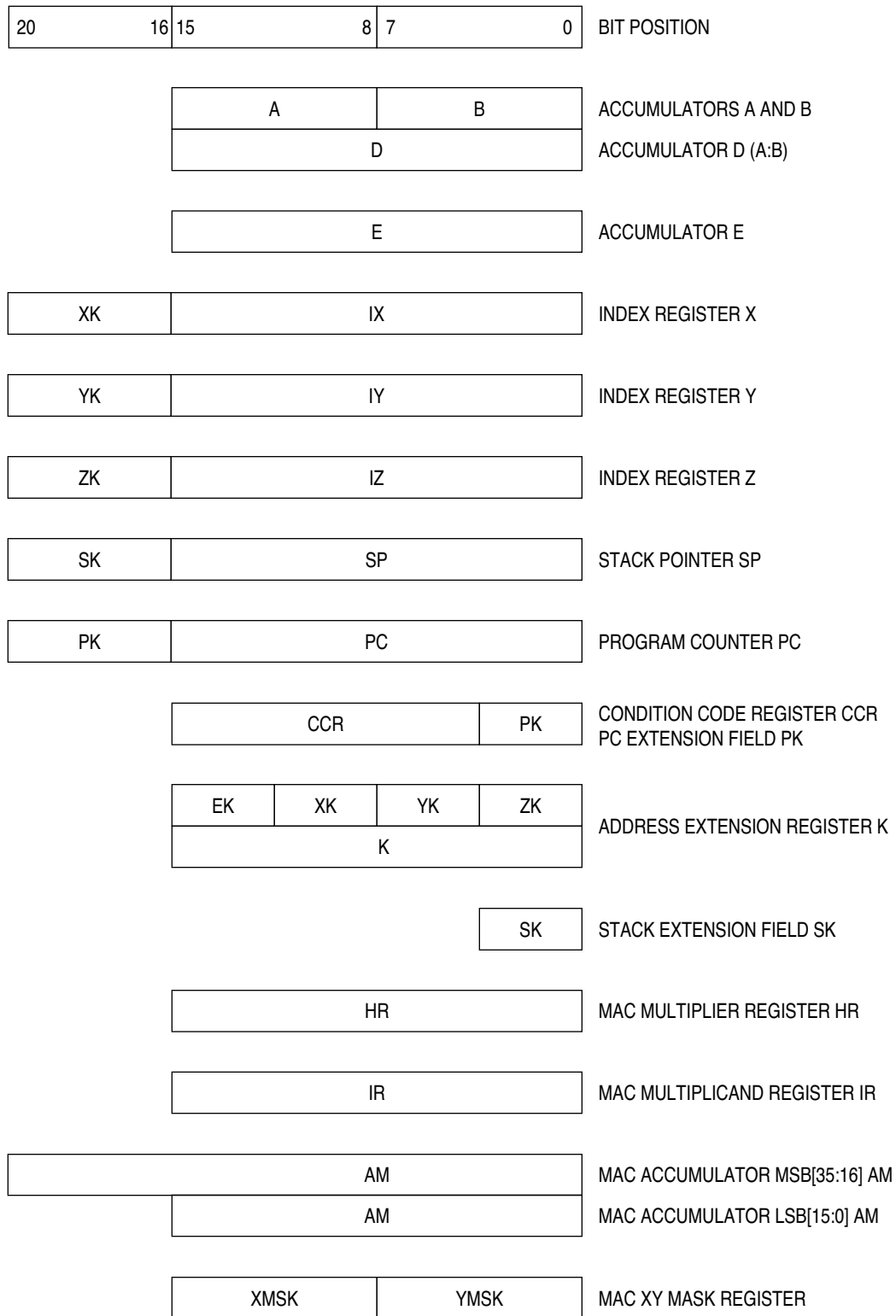
Control registers for all the modules in the microcontroller are mapped into a 4-Kbyte block. The state of the module mapping (MM) bit in SCIMCR determines where the control registers block is located in the system memory map. When MM = 0, register addresses range from \$7FF000 to \$7FFFFFF; when MM = 1, register addresses range from \$FFF000 to \$FFFFFF.

With the CPU16, ADDR[23:20] follow the logic state of ADDR19 unless driven externally. MM corresponds to IMB ADDR23. If it is cleared, the SCIM2 maps IMB modules into address space \$7FF000 – \$7FFFFFF, which is inaccessible to the CPU16. Modules remain inaccessible until reset occurs. The reset state of MM is one, but the bit is onetime writable. Initialization software should make certain it remains set.

D.1 Central Processing Unit

CPU16 registers are not part of the module address map. **Figure D-1** is a functional representation of CPU resources.

Freescale Semiconductor, Inc.



CPU16 REGISTER MODEL

Figure D-1 CPU16 Register Model

D.1.1 Condition Code Register

CCR — Condition Code Register

| | | | | | | | | | | | | | | | |
|----|----|----|----|----|----|---|---|---------|---|---|----|---------|---|---|---|
| 15 | 14 | 13 | 12 | 11 | 10 | 9 | 8 | 7 | 6 | 5 | 4 | 3 | 2 | 1 | 0 |
| S | MV | H | EV | N | Z | V | C | IP[2:0] | | | SM | PK[3:0] | | | |

The CCR contains processor status flags, the interrupt priority field, and the program counter address extension field. The CPU16 has a special set of instructions that manipulate the CCR.

S — STOP Enable

- 0 = Stop CPU16 clocks when LPSTOP instruction is executed.
- 1 = Perform NOPs when LPSTOP instruction is executed.

MV — Accumulator M overflow flag

Set when overflow into AM35 has occurred.

H — Half Carry Flag

Set when a carry from A3 or B3 occurs during BCD addition.

EV — Accumulator M Extension Overflow Flag

EV is set when an overflow into AM31 has occurred.

N — Negative Flag

N is set under the following conditions:

- When the MSB is set in the operand of a read operation.
- When the MSB is set in the result of a logic or arithmetic operation.

Z — Zero Flag

Z is set under the following conditions:

- When all bits are zero in the operand of a read operation.
- When all bits are zero in the result of a logic or arithmetic operation.

V — Overflow Flag

Set when two's complement overflow occurs as the result of an operation.

C — Carry Flag

Set when carry or borrow occurs during arithmetic operation. Also used during shifts and rotates.

IP[2:0] — Interrupt Priority Field

The priority value in this field (0 to 7) is used to mask low priority interrupts.

SM — Saturate Mode Bit

When SM is set and either EV or MV is set, data read from AM using TMER or TMET is given maximum positive or negative value, depending on the state of the AM sign bit before overflow.

PK[3:0] — Program Counter Address Extension Field

This field is concatenated with the program counter to form a 20-bit address.

Freescale Semiconductor, Inc.

D.2 Single-Chip Integration Module 2

Table D-2 shows the SCIM2 address map.

Table D-2 SCIM2 Address Map

| Address ¹ | 15 | 8 | 7 | 0 |
|----------------------|--|---|---|---|
| \$YFFA00 | SCIM Module Configuration Register (SCIMCR) | | | |
| \$YFFA02 | SCIM Test Register (SCIMTR) | | | |
| \$YFFA04 | Clock Synthesizer Control Register (SYNCR) | | | |
| \$YFFA06 | Not Used | | Reset Status Register (RSR) | |
| \$YFFA08 | SCIM Test Register E (SCIMTRE) | | | |
| \$YFFA0A | Port A Data Register (PORTA) | | Port B Data Register (PORTB) | |
| \$YFFA0C | Port G Data Register (PORTG) | | Port H Data Register (PORTH) | |
| \$YFFA0E | Port G Data Direction Register (DDRG) | | Port H Data Direction Register (DDRH) | |
| \$YFFA10 | Not Used | | Port E Data Register 0(PORTE0) | |
| \$YFFA12 | Not Used | | Port E Data Register 1(PORTE1) | |
| \$YFFA14 | Port A/B Data Direction Register (DDRAB) | | Port E Data Direction Register (DDRE) | |
| \$YFFA16 | Not Used | | Port E Pin Assignment Register (PEPAR) | |
| \$YFFA18 | Not Used | | Port F Data Register 0 (PORTF0) | |
| \$YFFA1A | Not Used | | Port F Data Register 1 (PORTF1) | |
| \$YFFA1C | Not Used | | Port F Data Direction Register (DDRF) | |
| \$YFFA1E | Not Used | | Port F Pin Assignment Register (PFPAR) | |
| \$YFFA20 | Not Used | | System Protection Control Register (SYPCR) | |
| \$YFFA22 | Periodic Interrupt Control Register (PICR) | | | |
| \$YFFA24 | Periodic Interrupt Timing Register (PITR) | | | |
| \$YFFA26 | Not Used | | Software Service Register (SWSR) | |
| \$YFFA28 | Not Used | | Port F Edge-Detect Flags (PORTFE) | |
| \$YFFA2A | Not Used | | Port F Edge-Detect Interrupt Vector (PFIVR) | |
| \$YFFA2C | Not Used | | Port F Edge-Detect Interrupt Level (PFLVR) | |
| \$YFFA2E | Not Used | | | |
| \$YFFA30 | Test Module Master Shift A Register (TSTMSRA) | | | |
| \$YFFA32 | Test Module Master Shift B Register (TSTMSRB) | | | |
| \$YFFA34 | Test Module Shift Count Register (TSTSC) | | | |
| \$YFFA36 | Test Module Repetition Counter Register (TSTRC) | | | |
| \$YFFA38 | Test Module Control Register (CREG) | | | |
| \$YFFA3A | Test Module Distributed Register (DREG) | | | |
| \$YFFA3C | Not Used | | | |
| \$YFFA3E | Not Used | | | |
| \$YFFA40 | Not Used | | Port C Data Register (PORTC) | |
| \$YFFA42 | Not Used | | Not Used | |
| \$YFFA44 | Chip-Select Pin Assignment Register 0 (CSPAR0) | | | |
| \$YFFA46 | Chip-Select Pin Assignment Register 1 (CSPAR1) | | | |
| \$YFFA48 | Chip-Select Base Address Register Boot (CSBARBT) | | | |
| \$YFFA4A | Chip-Select Option Register Boot (CSORBT) | | | |
| \$YFFA4C | Chip-Select Base Address Register 0 (CSBAR0) | | | |

Table D-2 SCIM2 Address Map (Continued)

| Address ¹ | 15 | 8 | 7 | 0 |
|----------------------|---|---|---|---|
| \$YFFA4E | Chip-Select Option Address Register 0 (CSOR0) | | | |
| \$YFFA50 | Not Used | | | |
| \$YFFA52 | Not Used | | | |
| \$YFFA54 | Not Used | | | |
| \$YFFA56 | Not Used | | | |
| \$YFFA58 | Chip-Select Base Address Register 3 (CSBAR3) | | | |
| \$YFFA5A | Chip-Select Option Address Register 3 (CSOR3) | | | |
| \$YFFA5C | Not Used | | | |
| \$YFFA5E | Not Used | | | |
| \$YFFA60 | Chip-Select Base Address Register 5 (CSBAR5) | | | |
| \$YFFA62 | Chip-Select Option Address Register 5 (CSOR5) | | | |
| \$YFFA64 | Chip-Select Base Address Register 6 (CSBAR6) | | | |
| \$YFFA66 | Chip-Select Option Address Register 6 (CSOR6) | | | |
| \$YFFA68 | Chip-Select Base Address Register 7 (CSBAR7) | | | |
| \$YFFA6A | Chip-Select Option Address Register 7 (CSOR7) | | | |
| \$YFFA6C | Chip-Select Base Address Register 8 (CSBAR8) | | | |
| \$YFFA6E | Chip-Select Option Address Register 8 (CSOR8) | | | |
| \$YFFA70 | Chip-Select Base Address Register 9 (CSBAR9) | | | |
| \$YFFA72 | Chip-Select Option Address Register 9 (CSOR9) | | | |
| \$YFFA74 | Chip-Select Base Address Register 10 (CSBAR10) | | | |
| \$YFFA76 | Chip-Select Option Address Register 10 (CSOR10) | | | |
| \$YFFA78 | Not Used | | | |
| \$YFFA7A | Not Used | | | |
| \$YFFA7C | Not Used | | | |
| \$YFFA7E | Not Used | | | |

NOTES:

1. Y = M111, where M is the logic state of the module mapping (MM) bit in the SCIMCR.

D.2.1 SCIM Configuration Register

SCIMCR — SCIM Module Configuration Register

\$YFFA00

| 15 | 14 | 13 | 12 | 11 | 10 | 9 | 8 | 7 | 6 | 5 | 4 | 3 | 2 | 1 | 0 |
|-------|-------|-------|-------------------|-------------------|----|------|------|----|------------------|------------------|------|---|---|---|---|
| EXOFF | FRZSW | FRZBM | CPUD ¹ | RSVD ² | 0 | SHEN | SUPV | MM | ABD ¹ | RWD ¹ | IARB | | | | |

RESET:

0 0 0 * 0 0 0 0 1 1 * * 1 1 1 1

NOTES:

1. Reset state is mode-dependent. Refer to the following bit descriptions.
2. This bit is reserved for future use. Ensure that initialization software does not change its value (it should always read zero).

SCIMCR controls system configuration. SCIMCR can be read or written at any time, except for the module mapping (MM) bit, which can only be written once after reset, and the reserved bit, which is read-only. Write has no effect.

EXOFF — External Clock Off

- 0 = The CLKOUT pin is driven during normal operation.
- 1 = The CLKOUT pin is placed in a high-impedance state.

FRZSW — Freeze Software Enable

- 0 = When FREEZE is asserted, the software watchdog and periodic interrupt timer continue to operate, allowing interrupts during background debug mode.
- 1 = When FREEZE is asserted, the software watchdog and periodic interrupt timer are disabled, preventing interrupts during background debug mode.

CPUD — CPU Development Support Disable

- 0 = Instruction pipeline signals available on pins IPIPE1 and IPIPE0.
- 1 = Pins IPIPE1 and IPIPE0 placed in high-impedance state unless a breakpoint occurs.

CPUD is cleared to zero when the MCU is in an expanded mode, and set to one in single-chip mode.

FRZBM — Freeze Bus Monitor Enable

- 0 = When FREEZE is asserted, the bus monitor continues to operate.
- 1 = When FREEZE is asserted, the bus monitor is disabled.

SHEN[1:0] — Show Cycle Enable

The SHEN field determines how the external bus is driven during internal transfer operations. A show cycle allows internal transfers to be monitored externally.

Table D-3 indicates whether show cycle data is driven externally, and whether external bus arbitration can occur. To prevent bus conflict, external devices must not be selected during show cycles.

Table D-3 Show Cycle Enable Bits

| SHEN[1:0] | Action |
|-----------|---|
| 00 | Show cycles disabled, external arbitration enabled |
| 01 | Show cycles enabled, external arbitration disabled |
| 10 | Show cycles enabled, external arbitration enabled |
| 11 | Show cycles enabled, external arbitration enabled; internal activity is halted by a bus grant |

SUPV — Supervisor/User Data Space

This bit has no effect because the CPU16 always operates in the supervisor mode.

MM — Module Mapping

- 0 = Internal modules are addressed from \$7FF000 – \$7FFFFFFF.
- 1 = Internal modules are addressed from \$FFF000 – \$FFFFFFF.

The logic state of the MM determines the value of ADDR23 for IMB module addresses. Because ADDR[23:20] are driven to the same state as ADDR19, MM must be set to one. If MM is cleared, IMB modules are inaccessible to the CPU16. This bit can be written only once after reset.

ABD — Address Bus Disable

- 0 = Pins ADDR[2:0] operate normally.
- 1 = Pins ADDR[2:0] are disabled.

ABD is cleared to zero when the MCU is in an expanded mode, and set to one in single-chip mode. ABD can be written only once after reset.

RWD — Read/Write Disable

- 0 = R/W signal operates normally
- 1 = R/W signal placed in high-impedance state.

RWD is cleared to zero when the MCU is in an expanded mode, and set to one in single-chip mode. RWD can be written only once after reset.

IARB[3:0] — Interrupt Arbitration ID

Each module that can generate interrupts, including the SCIM2, has an IARB field. Each IARB field can be assigned a value from \$0 to \$F. During an interrupt acknowledge cycle, IARB permits arbitration among simultaneous interrupts of the same priority level. The reset value of the SCIM2 IARB field is \$F, the highest priority. This prevents SCIM2 interrupts from being discarded during system initialization.

D.2.2 SCIM Test Register

SCIMTR — Single-Chip Integration Module Test Register

\$YFFA02

Used for factory test only.

D.2.3 Clock Synthesizer Control Register

SYNCR — Clock Synthesizer Control Register

\$YFFA04

| | | | | | | | | | | | | | | | | |
|----|----|--------|----|----|----|---|------|---|---|---------------------------|-------|---------------------------|--------|-------|---|--|
| 15 | 14 | 13 | 12 | 11 | 10 | 9 | 8 | 7 | 6 | 5 | 4 | 3 | 2 | 1 | 0 | |
| W | X | Y[5:0] | | | | | EDIV | 0 | 0 | RE SERVED ¹ | SLOCK | RE SERVED ¹ | STSCIM | STEXT | | |

RESET:

0 0 1 1 1 1 1 1 0 0 0 0 U 0 0 0

NOTES:

1. Ensure that initialization software does not change the value of these bits. They should always be 0.

This register determines system clock operating frequency and operation during low-power stop mode. With a slow reference frequency between 25 and 50 kHz (typically a 32.768-kHz crystal), the clock frequency is determined by the following equation:

$$f_{\text{sys}} = f_{\text{ref}}[4(Y + 1)(2^{(2W + X)})]$$

Freescale Semiconductor, Inc.

With a fast reference frequency between 1 and 6 MHz (typically a 4.194-MHz crystal), the reference frequency is divided by 128 before it is passed to the PLL system. The clock frequency is determined by the following equation:

$$f_{\text{sys}} = \frac{f_{\text{ref}}}{128} [4(Y + 1)(2^{(2W + X)})]$$

W — Frequency Control (VCO)

This bit controls a prescaler tap in the synthesizer feedback loop. Setting this bit increases the VCO speed by a factor of four. VCO relock delay is required.

X — Frequency Control (Prescaler)

This bit controls a divide by two prescaler that is not in the synthesizer feedback loop. Setting the bit doubles clock speed without changing the VCO speed. No VCO relock delay is required.

Y[5:0] — Frequency Control (Counter)

The Y field controls the modulus down counter in the synthesizer feedback loop, causing it to divide by a value of Y + 1. Values range from 0 to 63. VCO relock delay is required.

EDIV — E Clock Divide Rate

- 0 = ECLK frequency is system clock divided by 8.
- 1 = ECLK frequency is system clock divided by 16.

SLOCK — Synthesizer Lock Flag

- 0 = VCO is enabled, but has not locked.
- 1 = VCO has locked on the desired frequency or VCO is disabled.

The MCU remains in reset until the synthesizer locks, but SLOCK does not indicate synthesizer lock status until after the user writes to SYNCR.

STSCIM — Stop Mode SCIM Clock

- 0 = When LPSTOP is executed, the SCIM clock is driven from the external crystal oscillator and the VCO is turned off to conserve power.
- 1 = When LPSTOP is executed, the SCIM clock is driven from the internal VCO.

STEXT — Stop Mode External Clock

- 0 = When LPSTOP is executed, the CLKOUT signal is held negated to conserve power.
- 1 = When LPSTOP is executed and EXOFF ≠ 1 in SCIMCR, the CLKOUT signal is driven from the SCIM2 clock, as determined by the state of the STSCIM bit.

D.2.4 Reset Status Register

RSR — Reset Status Register

\$YFFA06

| | | | | | | | | | | |
|----------|--|---|---|-----|-----|----|-----|---|-----------|-----|
| | | | | | | | | | | |
| 15 | | 8 | 7 | 6 | 5 | 4 | 3 | 2 | 1 | 0 |
| NOT USED | | | | EXT | POW | SW | HLT | 0 | RE-SERVED | TST |

RSR contains a status bit for each reset source in the MCU. RSR is updated when the MCU comes out of reset. A set bit indicates what type of reset occurred. If multiple sources assert reset signals at the same time, more than one bit in RSR may be set. This register can be read at any time; a write has no effect. Bits [15:8] are unimplemented and always read zero.

EXT — External Reset

Reset caused by the $\overline{\text{RESET}}$ pin.

POW — Power-Up Reset

Reset caused by the power-up reset circuit.

SW — Software Watchdog Reset

Reset caused by the software watchdog circuit.

HLT — Halt Monitor Reset

Reset caused by the halt monitor.

SYS — System Reset

The CPU16 does not support this function. This bit will never be set.

TST — Test Submodule Reset

Reset caused by the test submodule. Used during factory test reserved operating mode only.

D.2.5 SCIM Test Register E

SCIMTRE — Single-Chip Integration Module Test Register E

\$YFFA08

Used for factory test only.

D.2.6 Port A and B Data Registers

PORTA — Port A Data Register

\$YFFA0A

PORTB — Port B Data Register

\$YFFA0B

| | | | | | | | | | | | | | | | |
|-----|-----|-----|-----|-----|-----|-----|-----|-----|-----|-----|-----|-----|-----|-----|-----|
| | | | | | | | | | | | | | | | |
| 15 | | | | | | | 8 | 7 | 6 | 5 | 4 | 3 | 2 | 1 | 0 |
| PA7 | PA6 | PA5 | PA4 | PA3 | PA2 | PA1 | PA0 | PB7 | PB6 | PB5 | PB4 | PB3 | PB2 | PB1 | PB0 |

RESET:

U U U U U U U U U U U U U U U

Ports A and B are available in single-chip mode only. PORTA and PORTB can be read or written any time the MCU is not in emulator mode.

D.2.7 Port G and H Data Registers

PORTG — Port G Data Register

\$YFFFA0C

PORTH — Port H Data Register

\$YFFFA0D

| | | | | | | | | | | | | | | | |
|-----|-----|-----|-----|-----|-----|-----|-----|-----|-----|-----|-----|-----|-----|-----|-----|
| 15 | 14 | 13 | 12 | 11 | 10 | 9 | 8 | 7 | 6 | 5 | 4 | 3 | 2 | 1 | 0 |
| PG7 | PG6 | PG5 | PG4 | PG3 | PG2 | PG1 | PG0 | PH7 | PH6 | PH5 | PH4 | PH3 | PH2 | PH1 | PH0 |

RESET:

U U U U U U U U U U U U U U U U

Port G is available in single-chip mode only. These pins are always configured for use as general-purpose I/O in single-chip mode.

Port H is available in single-chip and 8-bit expanded modes only. The function of these pins is determined by the operating mode. There is no pin assignment register associated with this port.

These port data registers can be read or written any time the MCU is not in emulation mode. Reset has no effect.

D.2.8 Port G and H Data Direction Registers

DDRG — Port G Data Direction Register

\$YFFFA0E

DDRH — Port H Data Direction Register

\$YFFFA0F

| | | | | | | | | | | | | | | | |
|------|------|------|------|------|------|------|------|------|------|------|------|------|------|------|------|
| 15 | 14 | 13 | 12 | 11 | 10 | 9 | 8 | 7 | 6 | 5 | 4 | 3 | 2 | 1 | 0 |
| DDG7 | DDG6 | DDG5 | DDG4 | DDG3 | DDG2 | DDG1 | DDG0 | DDH7 | DDH6 | DDH5 | DDH4 | DDH3 | DDH2 | DDH1 | DDH0 |

RESET:

0 0 0 0 0 0 0 0 0 0 0 0 0 0 0 0

The bits in this register control the direction of the port pin drivers when pins are configured as I/O. Setting a bit configures the corresponding pin as an output. Clearing a bit configures the corresponding pin as an input.

D.2.9 Port E Data Register

PORTE0 — Port E0 Data Register

\$YFFFA10

PORTE1 — Port E1 Data Register

\$YFFFA12

| | | | | | | | | | | | | | | | |
|----------|----|----|----|----|----|---|---|-----|-----|-----|-----|-----|-----|-----|-----|
| 15 | 14 | 13 | 12 | 11 | 10 | 9 | 8 | 7 | 6 | 5 | 4 | 3 | 2 | 1 | 0 |
| NOT USED | | | | | | | | PE7 | PE6 | PE5 | PE4 | PE3 | PE2 | PE1 | PE0 |

RESET:

U U U U U U U U

This register can be accessed in two locations and can be read or written at any time. A write to this register is stored in an internal data latch, and if any pin in the corresponding port is configured as an output, the value stored for that bit is driven out on the pin. A read of this data register returns the value at the pin only if the pin is configured as a discrete input. Otherwise, the value read is the value stored in the register. Bits [15:8] are unimplemented and will always read zero.

D.2.10 Port E Data Direction Register

DDRAB — Port A/B Data Direction Register

\$YFFA14

DDRE — Port E Data Direction Register

\$YFFA15

| | | | | | | | | | | | | | | | |
|----|----|----|----|----|----|-----|-----|------|------|------|------|------|------|------|------|
| 15 | 14 | 13 | 12 | 11 | 10 | 9 | 8 | 7 | 6 | 5 | 4 | 3 | 2 | 1 | 0 |
| 0 | 0 | 0 | 0 | 0 | 0 | DDA | DDB | DDE7 | DDE6 | DDE5 | DDE4 | DDE3 | DDE2 | DDE1 | DDE0 |

RESET:

0 0 0 0 0 0 0 0

The port E data direction register controls the direction of the port E pin drivers when pins are configured for I/O. Setting a bit configures the corresponding pin as an output; clearing a bit configures the corresponding pin as an input. This register can be read or written at any time.

The port A/B data direction register controls the direction of the pin drivers for ports A and B, respectively, when the pins are configured for I/O. Setting DDA or DDB to one configures all pins in the corresponding port as outputs. Clearing DDA or DDB to zero configures all pins in the corresponding port as inputs. Bits [15:10] are unimplemented and will always read zero.

D.2.11 Port E Pin Assignment Register

PEPAR — Port E Pin Assignment

\$YFFA17

| | | | | | | | | | | | | | | | |
|----------|---|---|---|---|---|---|---|-------|-------|-------|-------|-------|-------|-------|-------|
| 15 | 8 | 7 | 6 | 5 | 4 | 3 | 2 | 1 | 0 | | | | | | |
| NOT USED | | | | | | | | PEPA7 | PEPA6 | PEPA5 | PEPA4 | PEPA3 | PEPA2 | PEPA1 | PEPA0 |

RESET:

DATA8 DATA8 DATA8 DATA8 DATA8 DATA8 DATA8 DATA8

This register determines the function of port E pins. Setting a bit assigns the corresponding pin to a bus control signal; clearing a bit assigns the pin to I/O port E. PE3 is not connected to a pin. PEPA3 can be read and written, but has no function. Bits [15:8] are unimplemented and will always read zero. **Table D-4** displays port E pin assignments.

Table D-4 Port E Pin Assignments

| PEPAR Bit | Port E Signal | Bus Control Signal |
|-----------|---------------|--------------------|
| PEPA7 | PE7 | SIZ1 |
| PEPA6 | PE6 | SIZ0 |
| PEPA5 | PE5 | AS |
| PEPA4 | PE4 | DS |
| PEPA3 | PE3 | — ¹ |
| PEPA2 | PE2 | AVEC |
| PEPA1 | PE1 | DSACK1 |
| PEPA0 | PE0 | DSACK0 |

NOTES:

- The CPU16 does not support the \overline{RMC} function for this pin. This bit is not connected to a pin for I/O usage.

D.2.12 Port F Data Register

PORTF0— Port F Data Register 0

\$YFFA19

PORTF1— Port F Data Register 1

\$YFFA1B

| | | | | | | | | | | |
|----------|---|-----|-----|-----|-----|-----|-----|-----|-----|---|
| | | | | | | | | | | |
| 15 | 8 | 7 | 6 | 5 | 4 | 3 | 2 | 1 | 0 | |
| NOT USED | | PF7 | PF6 | PF5 | PF4 | PF3 | PF2 | PF1 | PF0 | |
| RESET: | | | | | | | | | | |
| | | U | U | U | U | U | U | U | U | U |

This register can be accessed in two locations and can be read or written at any time. A write to this register is stored in an internal data latch, and if any pin in the corresponding port is configured as an output, the value stored for that bit is driven out on the pin. A read of this data register returns the value at the pin only if the pin is configured as a discrete input. Otherwise, the value read is the value stored in the register. Bits [15:8] are unimplemented and will always read zero.

D.2.13 Port F Data Direction Register

DDRF — Port F Data Direction Register

\$YFFA1D

| | | | | | | | | | | |
|----------|---|------|------|------|------|------|------|------|------|---|
| | | | | | | | | | | |
| 15 | 8 | 7 | 6 | 5 | 4 | 3 | 2 | 1 | 0 | |
| NOT USED | | DDF7 | DDF6 | DDF5 | DDF4 | DDF3 | DDF2 | DDF1 | DDF0 | |
| RESET: | | | | | | | | | | |
| | | 0 | 0 | 0 | 0 | 0 | 0 | 0 | 0 | 0 |

This register controls the direction of the port F pin drivers when pins are configured for I/O. Setting a bit configures the corresponding pin as an output; clearing a bit configures the corresponding pin as an input. This register can be read or written at any time. Bits [15:8] are unimplemented and will always read zero.

D.2.14 Port F Pin Assignment Register

PFPAR — Port F Pin Assignment Register

\$YFFA1F

| | | | | | | | | | | |
|------------------------------|---|-------|-------|-------|-------|-------|-------|-------|-------|-------|
| | | | | | | | | | | |
| 15 | 8 | 7 | 6 | 5 | 4 | 3 | 2 | 1 | 0 | |
| NOT USED | | PFFA7 | PFFA6 | PFFA5 | PFFA4 | PFFA3 | PFFA2 | PFFA1 | PFFA0 | |
| RESET: | | | | | | | | | | |
| 8- AND 16-BIT EXPANDED MODES | | | | | | | | | | |
| | | DATA9 | DATA9 | DATA9 | DATA9 | DATA9 | DATA9 | DATA9 | DATA9 | DATA9 |
| SINGLE-CHIP MODE | | | | | | | | | | |
| | | 0 | 0 | 0 | 0 | 0 | 0 | 0 | 0 | 0 |

This register determines the function of port F pins. Setting a bit assigns the corresponding pin to a control signal; clearing a bit assigns the pin to port F. Bits [15:8] are unimplemented and will always read zero. Refer to **Table D-5**.

Table D-5 Port F Pin Assignments

| PFPA Field | Port F Signal | Alternate Signal |
|------------|---------------|--------------------------|
| PFPA7 | PF7 | $\overline{\text{IRQ7}}$ |
| PFPA6 | PF6 | $\overline{\text{IRQ6}}$ |
| PFPA5 | PF5 | $\overline{\text{IRQ5}}$ |
| PFPA4 | PF4 | $\overline{\text{IRQ4}}$ |
| PFPA3 | PF3 | $\overline{\text{IRQ3}}$ |
| PFPA2 | PF2 | $\overline{\text{IRQ2}}$ |
| PFPA1 | PF1 | $\overline{\text{IRQ1}}$ |
| PFPA0 | PF0 | FASTREF |

D.2.15 System Protection Control Register

SYPCR — System Protection Control Register

\$YFFA20

| | | | | | | | | | |
|----------|---|-----|----------------------------|----------|-----|-----|----------|---|---|
| 15 | 8 | 7 | 6 | 5 | 4 | 3 | 2 | 1 | 0 |
| NOT USED | | SWE | SWP | SWT[1:0] | HME | BME | BMT[1:0] | | |
| RESET: | | 1 | $\overline{\text{MODCLK}}$ | 0 | 0 | 0 | 0 | 0 | 0 |

This register controls system monitor functions, software watchdog clock prescaling, and bus monitor timing. This register can be written once following power-on or reset. Bits [15:8] are unimplemented and will always read zero.

SWE — Software Watchdog Enable

- 0 = Software watchdog is disabled.
- 1 = Software watchdog is enabled.

SWP — Software Watchdog Prescaler

This bit controls the value of the software watchdog prescaler.

- 0 = Software watchdog clock is not prescaled.
- 1 = Software watchdog clock is prescaled by 512.

The reset value of SWP is the complement of the state of the MODCLK pin during reset.

SWT[1:0] — Software Watchdog Timing

This field selects the divide ratio used to establish the software watchdog timeout period. Refer to **Table D-6**.

Table D-6 Software Watchdog Divide Ratio

| SWP | SWT[1:0] | Divide Ratio |
|-----|----------|-----------------|
| 0 | 00 | 2 ⁹ |
| 0 | 01 | 2 ¹¹ |
| 0 | 10 | 2 ¹³ |
| 0 | 11 | 2 ¹⁵ |
| 1 | 00 | 2 ¹⁸ |
| 1 | 01 | 2 ²⁰ |
| 1 | 10 | 2 ²² |
| 1 | 11 | 2 ²⁴ |

The following equation calculates the timeout period for a slow reference frequency, where f_{ref} is equal to the EXTAL crystal frequency.

$$\text{Timeout Period} = \frac{\text{Divide Ratio Specified by SWP and SWT[1:0]}}{f_{ref}}$$

The following equation calculates the timeout period for a fast reference frequency.

$$\text{Timeout Period} = \frac{(128)(\text{Divide Ratio Specified by SWP and SWT[1:0]})}{f_{ref}}$$

The following equation calculates the timeout period for an externally input clock frequency on both slow and fast reference frequency devices, when f_{sys} is equal to the system clock frequency.

$$\text{Timeout Period} = \frac{\text{Divide Ratio Specified by SWP and SWT[1:0]}}{f_{sys}}$$

HME — Halt Monitor Enable

0 = Halt monitor is disabled.

1 = Halt monitor is enabled.

BME — Bus Monitor External Enable

0 = Disable bus monitor for external bus cycles.

1 = Enable bus monitor for external bus cycles.

BMT[1:0] — Bus Monitor Timing

This field selects the bus monitor timeout period. Refer to **Table D-7**.

Table D-7 Bus Monitor Timeout Period

| BMT[1:0] | Bus Monitor Timeout Period |
|----------|----------------------------|
| 00 | 64 System clocks |
| 01 | 32 System clocks |
| 10 | 16 System clocks |
| 11 | 8 System clocks |

D.2.16 Periodic Interrupt Control Register

PICR — Periodic Interrupt Control Register **\$YFFA22**

| | | | | | | | | | | | | | | | | |
|--------|----|----|----|----|------------|---|---|----------|---|---|---|---|---|---|---|---|
| 15 | 14 | 13 | 12 | 11 | 10 | 9 | 8 | 7 | 6 | 5 | 4 | 3 | 2 | 1 | 0 | |
| 0 | 0 | 0 | 0 | 0 | PIRQL[2:0] | | | PIV[7:0] | | | | | | | | |
| RESET: | | | | | | | | | | | | | | | | |
| 0 | 0 | 0 | 0 | 0 | 0 | 0 | 0 | 0 | 0 | 0 | 0 | 0 | 1 | 1 | 1 | 1 |

PICR sets the interrupt level and vector number for the periodic interrupt timer (PIT). Bits [10:0] can be read or written at any time. Bits [15:11] are unimplemented and always read zero.

PIRQL[2:0] — Periodic Interrupt Request Level

This field determines the priority of periodic interrupt requests. A value of %000 disables PIT interrupts.

PIV[7:0] — Periodic Interrupt Vector

This field specifies the periodic interrupt vector number supplied by the SCIM2 when the CPU16 acknowledges an interrupt request.

D.2.17 Periodic Interrupt Timer Register

PITR — Periodic Interrupt Timer Register **\$YFFA24**

| | | | | | | | | | | | | | | | |
|--------|----|----|----|----|----|---|--------|-----------|---|---|---|---|---|---|---|
| 15 | 14 | 13 | 12 | 11 | 10 | 9 | 8 | 7 | 6 | 5 | 4 | 3 | 2 | 1 | 0 |
| 0 | 0 | 0 | 0 | 0 | 0 | 0 | PTP | PITM[7:0] | | | | | | | |
| RESET: | | | | | | | | | | | | | | | |
| 0 | 0 | 0 | 0 | 0 | 0 | 0 | MODCLK | 0 | 0 | 0 | 0 | 0 | 0 | 0 | 0 |

Contains the count value for the periodic timer. This register can be read or written at any time.

PTP — Periodic Timer Prescaler

- 0 = Periodic timer clock not prescaled.
- 1 = Periodic timer clock prescaled by a value of 512.

PITM[7:0] — Periodic Interrupt Timing Modulus

This field determines the periodic interrupt rate. Use the following equations to calculate timer period.

The following equation calculates the PIT period when a slow reference frequency is used:

Freescale Semiconductor, Inc.

$$\text{PIT Period} = \frac{(\text{PITM}[7:0])(1 \text{ if PTP} = 0, 512 \text{ if PTP} = 1)(4)}{f_{\text{ref}}}$$

The following equation calculates the PIT period when a fast reference frequency is used:

$$\text{PIT Period} = \frac{(128)(\text{PITM}[7:0])(1 \text{ if PTP} = 0, 512 \text{ if PTP} = 1)(4)}{f_{\text{ref}}}$$

The following equation calculates the PIT period for an externally input clock frequency on both slow and fast reference frequency devices.

$$\text{PIT Period} = \frac{(\text{PITM}[7:0])(1 \text{ if PTP} = 0, 512 \text{ if PTP} = 1)(4)}{f_{\text{sys}}}$$

D.2.18 Software Watchdog Service Register

SWSR — Software Watchdog Service Register¹

\$YFFA26

| | | | | | | | | | |
|----------|---|---|---|---|---|---|---|-----------|---|
| 15 | 8 | 7 | 6 | 5 | 4 | 3 | 2 | 1 | 0 |
| NOT USED | | | | | | | | SWSR[7:0] | |
| RESET: | | | | | | | | | |
| | | 0 | 0 | 0 | 0 | 0 | 0 | 0 | 0 |

NOTES:

1. This register is shown with a read value.

This register can be read or written at any time. Bits [15:8] are unimplemented and will always read zero.

To reset the software watchdog:

1. Write \$55 to SWSR.
2. Write \$AA to SWSR.

Both writes must occur in the order specified before the software watchdog times out, but any number of instructions can occur between the two writes.

D.2.19 Port F Edge-Detect Flag Register

PORTFE — Port F Edge-Detect Flag Register

\$YFFA28

| | | | | | | | | | | | | | | | |
|----------|----|----|----|----|----|---|---|------|-----|----------|---|---|---|---|------|
| 15 | 14 | 13 | 12 | 11 | 10 | 9 | 8 | 7 | 6 | 5 | 4 | 3 | 2 | 1 | 0 |
| NOT USED | | | | | | | | PEF7 | EF6 | RESERVED | | | | | PEF0 |
| RESET: | | | | | | | | | | | | | | | |
| | | | | | | | | 0 | 0 | 0 | 0 | 0 | 0 | 0 | 0 |

Freescale Semiconductor, Inc.

When the corresponding pin is configured for edge detection, a PORTFE bit is set if an edge is detected. PORTFE bits remain set, regardless of the subsequent state of the corresponding pin, until cleared. To clear a bit, first read PORTFE, then write the bit to zero. When a pin is configured for general-purpose I/O or for use as an interrupt request input, PORTFE bits do not change state. Bits [15:8] are unimplemented and will always read zero.

D.2.20 Port F Edge-Detect Interrupt Vector

PFIVR — Port F Edge-Detect Interrupt Vector Register **\$YFFA2A**

| | | | | | | | | | | | | | | | | |
|----------|----|----|----|----|----|---|---|------------|---|---|---|---|---|---|---|---|
| 15 | 14 | 13 | 12 | 11 | 10 | 9 | 8 | 7 | 6 | 5 | 4 | 3 | 2 | 1 | 0 | |
| NOT USED | | | | | | | | PFIVR[7:0] | | | | | | | | |
| RESET: | | | | | | | | | | | | | | | | |
| | | | | | | | | 0 | 0 | 0 | 0 | 0 | 0 | 0 | 0 | 0 |

This register determines which vector in the exception vector table is used for interrupts generated by the port F edge-detect logic. Program PFIVR[7:0] to the value pointing to the appropriate interrupt vector. Bits [15:8] are unimplemented and will always read zero.

D.2.21 Port F Edge-Detect Interrupt Level

PFLVR — Port F Edge-Detect Interrupt Level Register **\$YFFA2C**

| | | | | | | | | | | | | | | | |
|----------|----|----|----|----|----|---|---|---|---|---|---|---|-----------|---|---|
| 15 | 14 | 13 | 12 | 11 | 10 | 9 | 8 | 7 | 6 | 5 | 4 | 3 | 2 | 1 | 0 |
| NOT USED | | | | | | | | 0 | 0 | 0 | 0 | 0 | PFLV[2:0] | | |
| RESET: | | | | | | | | | | | | | | | |
| | | | | | | | | 0 | 0 | 0 | 0 | 0 | 0 | 0 | 0 |

This register determines the priority level of the port F edge-detect interrupt. The reset value is \$00, indicating that the interrupt is disabled. When several sources of interrupts from the SCIM are arbitrating for the same level, the port F edge-detect interrupt has the lowest arbitration priority. Bits [15:8] are unimplemented and will always read zero.

D.2.22 Port C Data Register

PORTC — Port C Data Register **\$YFFA41**

| | | | | | | | | | | | | | | | |
|----------|----|----|----|----|----|---|---|---|-----|-----|-----|-----|-----|-----|-----|
| 15 | 14 | 13 | 12 | 11 | 10 | 9 | 8 | 7 | 6 | 5 | 4 | 3 | 2 | 1 | 0 |
| NOT USED | | | | | | | | 0 | PC6 | PC5 | PC4 | PC3 | PC2 | PC1 | PC0 |
| RESET: | | | | | | | | | | | | | | | |
| | | | | | | | | 0 | 1 | 1 | 1 | 1 | 1 | 1 | 1 |

PORTC latches data for chip-select pins configured as discrete outputs.

D.2.23 Chip-Select Pin Assignment Registers

CSPAR0 — Chip-Select Pin Assignment Register 0

\$YFFA44

| | | | | | | | | | | | | | | | |
|--------|----|------------|------------|------------|------------|------------|------------|-------------|---|-------|---|-------|---|---|-------|
| 15 | 14 | 13 | 12 | 11 | 10 | 9 | 8 | 7 | 6 | 5 | 4 | 3 | 2 | 1 | 0 |
| 0 | 0 | CS5PA[1:0] | CS4PA[1:0] | CS3PA[1:0] | CS2PA[1:0] | CS1PA[1:0] | CS0PA[1:0] | CSBTPA[1:0] | | | | | | | |
| RESET: | | | | | | | | | | | | | | | |
| 0 | 0 | DATA2 | 1 | DATA2 | 1 | DATA2 | 1 | DATA1 | 1 | DATA1 | 1 | DATA1 | 1 | 1 | DATA0 |

Chip-select pin assignment registers configure the chip-select pins for discrete I/O, an alternate function, or as an 8-bit or 16-bit chip-select. The possible encodings for each 2-bit field in CSPAR[0:1] (except for CSBTPA[1:0]) are shown in **Table D-8**.

Table D-8 Pin Assignment Field Encoding

| CSxPA[1:0] | Description |
|------------|---------------------------------|
| 00 | Discrete output ¹ |
| 01 | Alternate function ¹ |
| 10 | Chip-select (8-bit port) |
| 11 | Chip-select (16-bit port) |

NOTES:

1. Does not apply to the $\overline{\text{CSBOOT}}$ field.

This register contains seven 2-bit fields that determine the function of corresponding chip-select pins. Bits [15:14] are not used. These bits always read zero; writes have no effect. CSPAR0 bit 1 always reads one; writes to CSPAR0 bit 1 have no effect. The alternate functions can be enabled by data bus mode selection during reset. This register may be read or written at any time. After reset, software may enable one or more pins as discrete outputs.

Table D-9 shows CSPAR0 pin assignments.

Table D-9 CSPAR0 Pin Assignments

| CSPAR0 Field | Chip-Select Signal | Alternate Signal | Discrete Output |
|--------------|----------------------------|---------------------------|-----------------|
| CS5PA[1:0] | CS5 | FC2 | PC2 |
| CS4PA[1:0] | CS4 | FC1 | PC1 |
| CS3PA[1:0] | CS3 | FC0 | PC0 |
| CS2PA[1:0] | CS2 | $\overline{\text{BGACK}}$ | — |
| CS1PA[1:0] | CS1 | $\overline{\text{BG}}$ | — |
| CS0PA[1:0] | CS0 | $\overline{\text{BR}}$ | — |
| CSBTPA[1:0] | $\overline{\text{CSBOOT}}$ | — | — |

CSPAR1 — Chip-Select Pin Assignment Register 1

\$YFFA46

| | | | | | | | | | | | | | | | |
|--------|----|----|----|----|----|--------------------|------------|-------------------------|------------|-------------------------|---|-------------------------|---|-------------------------|---|
| 15 | 14 | 13 | 12 | 11 | 10 | 9 | 8 | 7 | 6 | 5 | 4 | 3 | 2 | 1 | 0 |
| 0 | 0 | 0 | 0 | 0 | 0 | CS10PA[1:0] | CS9PA[1:0] | CS8PA[1:0] | CS7PA[1:0] | CS6PA[1:0] | | | | | |
| RESET: | | | | | | | | | | | | | | | |
| 0 | 0 | 0 | 0 | 0 | 0 | DATA7 ¹ | 1 | DATA [7:6] ¹ | 1 | DATA [7:5] ¹ | 1 | DATA [7:4] ¹ | 1 | DATA [7:3] ¹ | 1 |

NOTES:

1. Refer to **Table D-11** for CSPAR1 reset state information.

CSPAR1 contains five 2-bit fields that determine the functions of corresponding chip-select pins. Bits [15:10] are not used. These bits always read zero; writes have no effect. **Table D-10** shows CSPAR1 pin assignments, including alternate functions that can be enabled by data bus mode selection during reset.

Table D-10 CSPAR1 Pin Assignments

| CSPAR1 Field | Chip-Select Signal | Alternate Signal | Discrete Output |
|--------------|--------------------|---------------------|-----------------|
| CS10PA[1:0] | $\overline{CS10}$ | ADDR23 ¹ | ECLK |
| CS9PA[1:0] | $\overline{CS9}$ | ADDR22 ¹ | PC6 |
| CS8PA[1:0] | $\overline{CS8}$ | ADDR21 ¹ | PC5 |
| CS7PA[1:0] | $\overline{CS7}$ | ADDR20 ¹ | PC4 |
| CS6PA[1:0] | $\overline{CS6}$ | ADDR19 | PC3 |

NOTES:

1. On the CPU16, ADDR[23:20] follow the logic state of ADDR19 unless externally driven.

The reset state of DATA[7:3] determines whether pins controlled by CSPAR1 are initially configured as high-order address lines or chip-selects. **Table D-11** shows the correspondence between DATA[7:3] and the reset configuration of $\overline{CS}[10:6]$ /ADDR[23:19]. This register may be read or written at any time. After reset, software may enable one or more pins as discrete outputs.

Table D-11 Reset Pin Function of $\overline{CS}[10:6]$

| Data Bus Pins at Reset | | | | | Chip-Select/Address Bus Pin Function | | | | |
|------------------------|-------|-------|-------|-------|--------------------------------------|------------------------------|------------------------------|------------------------------|------------------------------|
| DATA7 | DATA6 | DATA5 | DATA4 | DATA3 | $\overline{CS10}$ / ADDR23 | $\overline{CS9}$ / ADDR22 | $\overline{CS8}$ / ADDR21 | $\overline{CS7}$ / ADDR20 | $\overline{CS6}$ / ADDR19 |
| 1 | 1 | 1 | 1 | 1 | $\overline{CS10}$ | $\overline{CS9}$ | $\overline{CS8}$ | $\overline{CS7}$ | $\overline{CS6}$ |
| 1 | 1 | 1 | 1 | 0 | $\overline{CS10}$ | $\overline{CS9}$ | $\overline{CS8}$ | $\overline{CS7}$ | ADDR19 |
| 1 | 1 | 1 | 0 | X | $\overline{CS10}$ | $\overline{CS9}$ | $\overline{CS8}$ | ADDR20 | ADDR19 |
| 1 | 1 | 0 | X | X | $\overline{CS10}$ | $\overline{CS9}$ | ADDR21 | ADDR20 | ADDR19 |
| 1 | 0 | X | X | X | $\overline{CS10}$ | ADDR22 | ADDR21 | ADDR20 | ADDR19 |
| 0 | X | X | X | X | ADDR23 | ADDR22 | ADDR21 | ADDR20 | ADDR19 |

D.2.24 Chip-Select Base Address Register Boot

CSBARBT — Chip-Select Base Address Register Boot \$YFFA48

| | | | | | | | | | | | | | | | | |
|------------|------------|------------|------------|------------|------------|------------|------------|------------|------------|------------|------------|------------|------------|---|---|---|
| 15 | 14 | 13 | 12 | 11 | 10 | 9 | 8 | 7 | 6 | 5 | 4 | 3 | 2 | 1 | 0 | |
| ADDR 23 | ADDR 22 | ADDR 21 | ADDR 20 | ADDR 19 | ADDR 18 | ADDR 17 | ADDR 16 | ADDR 15 | ADDR 14 | ADDR 13 | ADDR 12 | ADDR 11 | BLKSZ[2:0] | | | |
| RESET: | | | | | | | | | | | | | | | | |
| 0 | 0 | 0 | 0 | 0 | 0 | 0 | 0 | 0 | 0 | 0 | 0 | 0 | 0 | 1 | 1 | 1 |

D.2.25 Chip-Select Base Address Registers

CSBAR[0:10] — Chip-Select Base Address Registers \$YFFA4C–\$YFFA74

| | | | | | | | | | | | | | | | |
|------------|------------|------------|------------|------------|------------|------------|------------|------------|------------|------------|------------|------------|------------|---|---|
| 15 | 14 | 13 | 12 | 11 | 10 | 9 | 8 | 7 | 6 | 5 | 4 | 3 | 2 | 1 | 0 |
| ADDR 23 | ADDR 22 | ADDR 21 | ADDR 20 | ADDR 19 | ADDR 18 | ADDR 17 | ADDR 16 | ADDR 15 | ADDR 14 | ADDR 13 | ADDR 12 | ADDR 11 | BLKSZ[2:0] | | |
| RESET: | | | | | | | | | | | | | | | |
| 0 | 0 | 0 | 0 | 0 | 0 | 0 | 0 | 0 | 0 | 0 | 0 | 0 | 0 | 0 | 0 |

Each chip-select pin has an associated base address register. A base address is the lowest address in the block of addresses enabled by a chip select. CSBARBT contains the base address for selection of a boot memory device. Bit and field definitions for CSBARBT and CSBAR[0:10] are the same, but reset block sizes differ. These registers may be read or written at any time.

ADDR[23:11] — Base Address

This field sets the starting address of a particular chip-select’s address space. The address compare logic uses only the most significant bits to match an address within a block. The value of the base address must be an integer multiple of the block size. Base address register diagrams show how base register bits correspond to address lines.

BLKSZ[2:0] — Block Size Field

This field determines the size of the block that is enabled by the chip-select.

Table D-12 shows bit encoding for the base address registers block size field.

Table D-12 Block Size Field Bit Encoding

| BLKSZ[2:0] | Block Size | Address Lines Compared ¹ |
|------------|------------|-------------------------------------|
| 000 | 2 Kbytes | ADDR[23:11] |
| 001 | 8 Kbytes | ADDR[23:13] |
| 010 | 16 Kbytes | ADDR[23:14] |
| 011 | 64 Kbytes | ADDR[23:16] |
| 100 | 128 Kbytes | ADDR[23:17] |
| 101 | 256 Kbytes | ADDR[23:18] |
| 110 | 512 Kbytes | ADDR[23:19] |
| 111 | 512 Kbytes | ADDR[23:20] |

NOTES:

1. ADDR[23:20] are the same logic level as ADDR19 during normal operation.

D.2.26 Chip-Select Option Register Boot

CSORBT — Chip-Select Option Register Boot

\$YFFA4A

| | | | | | | | | | | | | | | | |
|--------|-----------|-------------------|------|------------|----|---|------------|---|----------|---|---|---------------------|---|---|---|
| 15 | 14 | 13 | 12 | 11 | 10 | 9 | 8 | 7 | 6 | 5 | 4 | 3 | 2 | 1 | 0 |
| MODE | BYTE[1:0] | R \bar{W} [1:0] | STRB | DSACK[3:0] | | | SPACE[1:0] | | IPL[2:0] | | | A $\bar{V}E\bar{C}$ | | | |
| RESET: | | | | | | | | | | | | | | | |
| 0 | 1 | 1 | 1 | 1 | 0 | 1 | 1 | 0 | 1 | 1 | 1 | 0 | 0 | 0 | 0 |

D.2.27 Chip-Select Option Registers

CSOR[0:10] — Chip-Select Option Registers

\$YFFA4E–YFFA76

| | | | | | | | | | | | | | | | |
|--------|-----------|-------------------|------|------------|----|---|------------|---|----------|---|---|---------------------|---|---|---|
| 15 | 14 | 13 | 12 | 11 | 10 | 9 | 8 | 7 | 6 | 5 | 4 | 3 | 2 | 1 | 0 |
| MODE | BYTE[1:0] | R \bar{W} [1:0] | STRB | DSACK[3:0] | | | SPACE[1:0] | | IPL[2:0] | | | A $\bar{V}E\bar{C}$ | | | |
| RESET: | | | | | | | | | | | | | | | |
| 0 | 0 | 0 | 0 | 0 | 0 | 0 | 0 | 0 | 0 | 0 | 0 | 0 | 0 | 0 | 0 |

CSORBT and CSOR[0:10] contain parameters that support operations from external memory devices. Bit and field definitions for CSORBT and CSOR[0:10] are the same.

MODE — Asynchronous/Synchronous Mode

0 = Asynchronous mode is selected.

1 = Synchronous mode is selected, and used with ECLK peripherals.

In asynchronous mode, chip-select assertion is synchronized with $\bar{A}\bar{S}$ and $\bar{D}\bar{S}$.

In synchronous mode, the chip-select signal is asserted with ECLK.

BYTE[1:0] — Upper/Lower Byte Option

This field is used only when the chip-select 16-bit port option is selected in the pin assignment register. This allows the usage of two external 8-bit memory devices to be concatenated to form a 16-bit memory. **Table D-13** shows upper/lower byte options.

Table D-13 BYTE Field Bit Encoding

| BYTE[1:0] | Description |
|-----------|-------------|
| 00 | Disable |
| 01 | Lower byte |
| 10 | Upper byte |
| 11 | Both bytes |

R \bar{W} [1:0]— Read/Write

This field causes a chip-select to be asserted only for a read, only for a write, or for both reads and writes. **Table D-14** shows the options.

Table D-14 Read/Write Field Bit Encoding

| R \bar{W} [1:0] | Description |
|-------------------|-------------|
| 00 | Disable |
| 01 | Read only |
| 10 | Write only |
| 11 | Read/Write |

Freescale Semiconductor, Inc.

STRB — Address Strobe/Data Strobe

This bit controls the timing for assertion of a chip-select in asynchronous mode only. Selecting address strobe causes the chip-select to be asserted synchronized with address strobe. Selecting data strobe causes the chip-select to be asserted synchronized with data strobe. Data strobe timing is used to create a write strobe when needed.

0 = Address strobe

1 = Data strobe

$\overline{\text{DSACK}}[3:0]$ — Data Strobe Acknowledge

This field specifies the source of $\overline{\text{DSACK}}$ in asynchronous mode as internally generated or externally supplied. It also allows the user to adjust bus timing with internal $\overline{\text{DSACK}}$ generation by controlling the number of wait states that are inserted to optimize bus speed in a particular application. **Table D-15** shows the $\overline{\text{DSACK}}[3:0]$ field encoding. The fast termination encoding (%1110) effectively corresponds to –1 wait states.

Table D-15 $\overline{\text{DSACK}}$ Field Encoding

| $\overline{\text{DSACK}}[3:0]$ | Clock Cycles Required Per Access | Wait States Inserted Per Access |
|--------------------------------|----------------------------------|------------------------------------|
| 0000 | 3 | 0 |
| 0001 | 4 | 1 |
| 0010 | 5 | 2 |
| 0011 | 6 | 3 |
| 0100 | 7 | 4 |
| 0101 | 8 | 5 |
| 0110 | 9 | 6 |
| 0111 | 10 | 7 |
| 1000 | 11 | 8 |
| 1001 | 12 | 9 |
| 1010 | 13 | 10 |
| 1011 | 14 | 11 |
| 1100 | 15 | 12 |
| 1101 | 16 | 13 |
| 1110 | 2 | –1 (Fast termination) |
| 1111 | — | External $\overline{\text{DSACK}}$ |

SPACE[1:0] — Address Space Select

Use this option field to select an address space for chip-select assertion or to configure a chip-select as an interrupt acknowledge strobe for an external device. The CPU16 normally operates in supervisor mode only, but interrupt acknowledge cycles take place in CPU space. **Table D-16** shows address space bit encodings.

Table D-16 Address Space Bit Encodings

| SPACE[1:0] | Address Space |
|------------|-----------------------|
| 00 | CPU Space |
| 01 | User Space |
| 10 | Supervisor Space |
| 11 | Supervisor/User Space |

IPL[2:0] — Interrupt Priority Level

When SPACE[1:0] is set for CPU space (%00), chip-select logic can be used as an interrupt acknowledge strobe for an external device. During an interrupt acknowledge cycle, the interrupt priority level is driven on address lines ADDR[3:1] is then compared to the value in IPL[2:0]. If the values match, an interrupt acknowledge strobe will be generated on the particular chip-select pin, provided other option register conditions are met. **Table D-17** shows IPL[2:0] field encoding.

Table D-17 Interrupt Priority Level Field Encoding

| IPL[2:0] | Interrupt Priority Level |
|----------|--------------------------|
| 000 | Any Level ¹ |
| 001 | 1 |
| 010 | 2 |
| 011 | 3 |
| 100 | 4 |
| 101 | 5 |
| 110 | 6 |
| 111 | 7 |

NOTES:

1. Any level means that chip-select is asserted regardless of the level of the interrupt acknowledge cycle.

\overline{AVEC} — Autovector Enable

This field selects one of two methods of acquiring an interrupt vector during an interrupt acknowledge cycle. This field is not applicable when SPACE[1:0] = %00.

0 = External interrupt vector enabled

1 = Autovector enabled

If the chip select is configured to trigger on an interrupt acknowledge cycle (SPACE[1:0] = %00) and the \overline{AVEC} field is set to one, the chip-select automatically generates \overline{AVEC} and completes the interrupt acknowledge cycle. Otherwise, the vector must be supplied by the requesting external device to complete the IACK read cycle.

D.2.28 Master Shift Registers

TSTMSRA — Test Module Master Shift Register A

\$YFFA30

Used for factory test only.

Freescale Semiconductor, Inc.

TSTMSRB — Test Module Master Shift Register B **\$YFFA32**
Used for factory test only.

D.2.29 Test Module Shift Count Register

TSTSC — Test Module Shift Count **\$YFFA34**
Used for factory test only.

D.2.30 Test Module Repetition Count Register

TSTRC — Test Module Repetition Count **\$YFFA36**
Used for factory test only.

D.2.31 Test Module Control Register

CREG — Test Module Control Register **\$YFFA38**
Used for factory test only.

D.2.32 Test Module Distributed Register

DREG — Test Module Distributed Register **\$YFFA3A**
Used for factory test only.

D.3 Standby RAM Module

Table D-18 shows the SRAM address map.

Table D-18 SRAM Address Map

| | | |
|----------------------|---|---|
| Address ¹ | 15 | 0 |
| \$YFFB00 | RAM Module Configuration Register (RAMMCR) | |
| \$YFFB02 | RAM Test Register (RAMTST) | |
| \$YFFB04 | RAM Array Base Address Register High (RAMBAH) | |
| \$YFFB06 | RAM Array Base Address Register Low (RAMBAL) | |

NOTES:

1. Y = M111, where M is the logic state of the module mapping (MM) bit in the SCIMCR.

D.3.1 RAM Module Configuration Register

RAMMCR — RAM Module Configuration Register **\$YFFB00**

| | | | | | | | |
|------|----|---|---|------|---|-----------|----------|
| 15 | 11 | 9 | 8 | 0 | | | |
| STOP | 0 | 0 | 0 | RLCK | 0 | RASP[1:0] | NOT USED |

RESET:

1 0 0 0 0 0 1 1

STOP — Low-Power Stop Mode Enable

- 0 = SRAM operates normally.
- 1 = SRAM enters low-power stop mode.

This bit controls whether SRAM operates normally or enters low-power stop mode. In low-power stop mode, the array retains its contents, but cannot be read or written. This bit can be read or written at any time.

RLCK — RAM Base Address Lock

- 0 = SRAM base address registers can be written.
- 1 = SRAM base address registers are locked and cannot be modified.

RLCK defaults to zero on reset; it can be written once to a one, and may be read at any time.

RASP[1:0] — RAM Array Space

The RASP field limits access to the SRAM array in microcontrollers that support separate user and supervisor operating modes. RASP1 has no effect because the CPU16 operates in supervisor mode only. This bit may be read or written at any time. Refer to **Table D-19**.

Table D-19 SRAM Array Address Space Type

| RASP[1:0] | Space |
|-----------|---------------------------|
| X0 | Program and data accesses |
| X1 | Program access only |

D.3.2 RAM Test Register

RAMTST — RAM Test Register

\$YFFB02

Used for factory test only.

D.3.3 Array Base Address Registers

RAMBAH — Array Base Address Register High

\$YFFB04

| | | | | | | | | | | | |
|--|----------|--|---|------------|------------|------------|------------|------------|------------|------------|------------|
| | 15 | | 8 | 7 | 6 | 5 | 4 | 3 | 2 | 1 | 0 |
| | NOT USED | | | ADDR 23 | ADDR 22 | ADDR 21 | ADDR 20 | ADDR 19 | ADDR 18 | ADDR 17 | ADDR 16 |

RESET:

0 0 0 0 0 0 0 0

RAMBAL — Array Base Address Register Low

\$YFFB06

| | | | | | | | | | | | | | | | | |
|------------|------------|------------|------------|------------|----|----|---|---|---|---|---|---|---|---|---|---|
| | 15 | 14 | 13 | 12 | 11 | 10 | 9 | 8 | 7 | 6 | 5 | 4 | 3 | 2 | 1 | 0 |
| ADDR 15 | ADDR 14 | ADDR 13 | ADDR 12 | ADDR 11 | 0 | 0 | 0 | 0 | 0 | 0 | 0 | 0 | 0 | 0 | 0 | 0 |

RESET:

0 0 0 0 0 0 0 0 0 0 0 0 0 0 0 0

RAMBAH and RAMBAL specify the SRAM array base address in the system memory map. They can only be written while the SRAM is in low-power stop mode (STOP = 1, the default out of reset) and the base address lock is disabled (RLCK = 0, the default out of reset). This prevents accidental remapping of the array. Because the CPU16 drives ADDR[23:20] to the same logic level as ADDR19, the values of the RAMBAH ADDR[23:20] fields must match the value of the ADDR19 field for the array to be accessible. These registers may be read at any time. RAMBAH[15:8] are unimplemented and will always read zero.

D.4 Masked ROM Module

The MRM is used only in the MC68HC16Y3. **Table D-20** shows the MRM address map.

The reset states shown for the MRM registers are for the generic (blank ROM) versions of the device. Several MRM register bit fields can be user-specified on a custom masked ROM device. Contact a Motorola sales representative for information on ordering a custom ROM device.

Table D-20 MRM Address Map

| Address ¹ | 15 | 0 |
|----------------------|--|---|
| \$YFF820 | Masked ROM Module Configuration Register (MRMCR) | |
| \$YFF822 | Not Implemented | |
| \$YFF824 | ROM Array Base Address Register High (ROMBAH) | |
| \$YFF826 | ROM Array Base Address Register Low (ROMBAL) | |
| \$YFF828 | Signature Register High (SIGHI) | |
| \$YFF82A | Signature Register Low (SIGLO) | |
| \$YFF82C | Not Implemented | |
| \$YFF82E | Not Implemented | |
| \$YFF830 | ROM Bootstrap Word 0 (ROMBS0) | |
| \$YFF832 | ROM Bootstrap Word 1 (ROMBS1) | |
| \$YFF834 | ROM Bootstrap Word 2 (ROMBS2) | |
| \$YFF836 | ROM Bootstrap Word 3 (ROMBS3) | |
| \$YFF838 | Not Implemented | |
| \$YFF83A | Not Implemented | |
| \$YFF83C | Not Implemented | |
| \$YFF83E | Not Implemented | |

NOTES:

1. Y = M111, where M is the logic state of the module mapping (MM) bit in the SCIMCR.

D.4.1 Masked ROM Module Configuration Register

MRMCR — Masked ROM Module Configuration Register **\$YFF820**

| 15 | 14 | 13 | 12 | 11 | 10 | 9 | 8 | 7 | 6 | 5 | 4 | 3 | 2 | 1 | 0 |
|------|----|----|------|------|------|-----------|---|-----------|---|---|---|---|---|---|----------|
| STOP | 0 | 0 | BOOT | LOCK | EMUL | ASPC[1:0] | | WAIT[1:0] | | | | | | | NOT USED |

RESET:

DATA14 0 0 1 0 0 1 1 1 1

STOP — Low-Power Stop Mode Enable

The reset state of the STOP bit is the complement of DATA14 state during reset. The ROM array base address cannot be changed unless the STOP bit is set.

0 = ROM array operates normally.

1 = ROM array operates in low-power stop mode. The ROM array cannot be read in this mode.

This bit may be read or written at any time.

\overline{BOOT} — Boot ROM Control

Reset state of \overline{BOOT} is specified at mask time. This is a read-only bit.

0 = ROM responds to bootstrap word locations during reset vector fetch.

1 = ROM does not respond to bootstrap word locations during reset vector fetch.

Bootstrap operation is overridden if STOP = 1 at reset.

LOCK — Lock Registers

The reset state of LOCK is specified at mask time. If the reset state of the LOCK is zero, it can be set once after reset to allow protection of the registers after initialization. Once the LOCK bit is set, it cannot be cleared again until after a reset. LOCK protects the ASPC and WAIT fields, as well as the ROMBAL and ROMBAH registers. ASPC, ROMBAL and ROMBAH are also protected by the STOP bit.

0 = Write lock disabled. Protected registers and fields can be written.

1 = Write lock enabled. Protected registers and fields cannot be written.

EMUL — Emulation Mode Control

0 = Normal ROM operation

1 = Accesses to the ROM array are forced external, allowing memory selected by the CSM pin to respond to the access.

Because the MC68HC16Y3/916Y3 does not support ROM emulation mode, this bit should never be set.

ASPC[1:0] — ROM Array Space

The ASPC field limits access to the SRAM array in microcontrollers that support separate user and supervisor operating modes. ASPC1 has no effect because the CPU16 operates in supervisor mode only. This bit may be read or written at any time. The reset state of ASPC[1:0] is specified at mask time. **Table D-21** shows ASPC[1:0] encoding.

Table D-21 ROM Array Space Field

| ASPC[1:0] | State Specified |
|-----------|---------------------------|
| X0 | Program and data accesses |
| X1 | Program access only |

WAIT[1:0] — Wait States Field

WAIT[1:0] specifies the number of wait states inserted by the MRM during ROM array accesses. The reset state of WAIT[1:0] is user specified. The field can be written only if LOCK = 0 and STOP = 1. **Table D-22** shows the wait states field.

Table D-22 Wait States Field

| WAIT[1:0] | Number of Wait States | Clocks per Transfer |
|-----------|-----------------------|---------------------|
| 00 | 0 | 3 |
| 01 | 1 | 4 |
| 10 | 2 | 5 |
| 11 | -1 | 2 |

D.4.2 ROM Array Base Address Registers

ROMBAH — ROM Array Base Address Register High¹ \$YFF824

| | | | | | | | | | | | | | | | |
|----|----|----|----|----|----|---|---|------------|------------|------------|------------|------------|------------|------------|------------|
| 15 | 14 | 13 | 12 | 11 | 10 | 9 | 8 | 7 | 6 | 5 | 4 | 3 | 2 | 1 | 0 |
| 0 | 0 | 0 | 0 | 0 | 0 | 0 | 0 | ADDR 23 | ADDR 22 | ADDR 21 | ADDR 20 | ADDR 19 | ADDR 18 | ADDR 17 | ADDR 16 |

RESET:

1 1 1 1 1 1 1 1

NOTES:

- Reset value of the shaded bits is user specified but the bits can be written after reset to change the base address. If the values of ROMBAH bits ADDR[23:20] do not match that of ADDR19, however, the CPU16 cannot access the ROM array.

ROMBAL — ROM Array Base Address Register Low \$YFF826

| | | | | | | | | | | | | | | | |
|------------|------------|------------|----|----|----|---|---|---|---|---|---|---|---|---|---|
| 15 | 14 | 13 | 12 | 11 | 10 | 9 | 8 | 7 | 6 | 5 | 4 | 3 | 2 | 1 | 0 |
| ADDR 15 | ADDR 14 | ADDR 13 | 0 | 0 | 0 | 0 | 0 | 0 | 0 | 0 | 0 | 0 | 0 | 0 | 0 |

RESET:

0 0 0

ROMBAH and ROMBAL specify ROM array base address. The reset state of these registers is specified at mask time. They can only be written when STOP = 1 and LOCK = 0. This prevents accidental remapping of the array. Because the 8-Kbyte ROM array in the MC68HC16Y3/916Y3 must be mapped to an 8-Kbyte boundary, ROMBAL bits [12:0] always contain \$0000. ROMBAH ADDR[15:8] read zero.

D.4.3 ROM Signature Registers

RSIGHI — ROM Signature High Register \$YFF828

| | | | | | | | | | | | | | | | |
|----------|----|----|----|----|----|---|---|---|---|---|---|---|-------|-------|-------|
| 15 | 14 | 13 | 12 | 11 | 10 | 9 | 8 | 7 | 6 | 5 | 4 | 3 | 2 | 1 | 0 |
| NOT USED | | | | | | | | | | | | | RSP18 | RSP17 | RSP16 |

RESET:

0 0 0 0 0 0 0 0 0 0 0 0 0 0 0 0

RSIGLO — ROM Signature Low Register \$YFF82A

| | | | | | | | | | | | | | | | |
|-------|-------|-------|-------|-------|-------|------|------|------|------|------|------|------|------|------|------|
| 15 | 14 | 13 | 12 | 11 | 10 | 9 | 8 | 7 | 6 | 5 | 4 | 3 | 2 | 1 | 0 |
| RSP15 | RSP14 | RSP13 | RSP12 | RSP11 | RSP10 | RSP9 | RSP8 | RSP7 | RSP6 | RSP5 | RSP4 | RSP3 | RSP2 | RSP1 | RSP0 |

RESET:

0 0 0 0 0 0 0 0 0 0 0 0 0 0 0 0

RSIGHI and RSIGLO specify a ROM signature pattern. A user-written signature identification algorithm allows identification of the ROM array content. The signature is specified at mask time and cannot be changed.

D.4.4 ROM Bootstrap Words

ROMBS0 — ROM Bootstrap Word 0 **\$YFF830**

| | | | | | | | | | | | | | | | |
|----------|----|----|----|---------|----|---|---|---------|---|---|---|---------|---|---|---|
| 15 | 14 | 13 | 12 | 11 | 10 | 9 | 8 | 7 | 6 | 5 | 4 | 3 | 2 | 1 | 0 |
| NOT USED | | | | ZK[3:0] | | | | SK[3:0] | | | | PK[3:0] | | | |

ROMBS1 — ROM Bootstrap Word 1 **\$YFF832**

| | | | | | | | | | | | | | | | |
|----------|----|----|----|----|----|---|---|---|---|---|---|---|---|---|---|
| 15 | 14 | 13 | 12 | 11 | 10 | 9 | 8 | 7 | 6 | 5 | 4 | 3 | 2 | 1 | 0 |
| PC[15:0] | | | | | | | | | | | | | | | |

ROMBS2 — ROM Bootstrap Word 2 **\$YFF834**

| | | | | | | | | | | | | | | | |
|----------|----|----|----|----|----|---|---|---|---|---|---|---|---|---|---|
| 15 | 14 | 13 | 12 | 11 | 10 | 9 | 8 | 7 | 6 | 5 | 4 | 3 | 2 | 1 | 0 |
| SP[15:0] | | | | | | | | | | | | | | | |

ROMBS3 — ROM Bootstrap Word 3 **\$YFF836**

| | | | | | | | | | | | | | | | |
|----------|----|----|----|----|----|---|---|---|---|---|---|---|---|---|---|
| 15 | 14 | 13 | 12 | 11 | 10 | 9 | 8 | 7 | 6 | 5 | 4 | 3 | 2 | 1 | 0 |
| IZ[15:0] | | | | | | | | | | | | | | | |

Typically, CPU16 reset vectors reside in non-volatile memory and are only fetched when the CPU16 comes out of reset. These four words can be used as reset vectors with the contents specified at mask time. The content of these words cannot be changed. On generic (blank ROM) MC68HC16Y3/916Y3 devices, ROMBS[0:3] are masked to \$0000. When the ROM on the MC68HC16Y3/916Y3 is masked with customer specific code, ROMBS[0:3] respond to system addresses \$00000 to \$00006 during the reset vector fetch if $\overline{\text{BOOT}} = 0$.

Freescale Semiconductor, Inc.

D.5 Flash EEPROM Module

The flash EEPROM module is used only in the M68HC916Y3. **Table D-23** shows the flash EEPROM address map.

Table D-23 Flash EEPROM Address Map

| Address | Register | Module | |
|-----------------------|--|-----------------------|-----------------------|
| \$YFF800 ¹ | Flash EEPROM Module Configuration Register (FEE1MCR) | 16-Kbyte Flash EEPROM | |
| \$YFF802 | Flash EEPROM Test Register (FEE1TST) | | |
| \$YFF804 | Flash EEPROM Base Address Register High (FEE1BAH) | | |
| \$YFF806 | Flash EEPROM Base Address Register Low (FEE1BAL) | | |
| \$YFF808 | Flash EEPROM Control Register (FEE1CTL) | | |
| \$YFF80A | Reserved | | |
| \$YFF80C | Reserved | | |
| \$YFF80E | Reserved | | |
| \$YFF810 | Flash EEPROM Bootstrap Word 0 (FEE1BS0) | | |
| \$YFF812 | Flash EEPROM Bootstrap Word 1 (FEE1BS1) | | |
| \$YFF814 | Flash EEPROM Bootstrap Word 2 (FEE1BS2) | | |
| \$YFF816 | Flash EEPROM Bootstrap Word 3 (FEE1BS3) | | |
| \$YFF818 | Reserved | | |
| \$YFF81A | Reserved | | |
| \$YFF81C | Reserved | | |
| \$YFF81E | Reserved | | |
| \$YFF820 | Flash EEPROM Module Configuration Register (FEE2MCR) | | 48-Kbyte Flash EEPROM |
| \$YFF822 | Flash EEPROM Test Register (FEE2TST) | | |
| \$YFF824 | Flash EEPROM Base Address Register High (FEE2BAH) | | |
| \$YFF826 | Flash EEPROM Base Address Register Low (FEE2BAL) | | |
| \$YFF828 | Flash EEPROM Control Register (FEE2CTL) | | |
| \$YFF82A | Reserved | | |
| \$YFF82C | Reserved | | |
| \$YFF82E | Reserved | | |
| \$YFF830 | Flash EEPROM Bootstrap Word 0 (FEE2BS0) | | |
| \$YFF832 | Flash EEPROM Bootstrap Word 1 (FEE2BS1) | | |
| \$YFF834 | Flash EEPROM Bootstrap Word 2 (FEE2BS2) | | |
| \$YFF836 | Flash EEPROM Bootstrap Word 3 (FEE2BS3) | | |
| \$YFF838 | Reserved | | |
| \$YFF83A | Reserved | | |
| \$YFF83C | Reserved | | |
| \$YFF83E | Reserved | | |

Freescale Semiconductor, Inc.

Table D-23 Flash EEPROM Address Map

| Address | Register | Module |
|----------|--|-----------------------|
| \$YFF840 | Flash EEPROM Module Configuration Register (FEE3MCR) | 32-Kbyte Flash EEPROM |
| \$YFF842 | Flash EEPROM Test Register (FEE3TST) | |
| \$YFF844 | Flash EEPROM Base Address Register High (FEE3BAH) | |
| \$YFF846 | Flash EEPROM Base Address Register Low (FEE3BAL) | |
| \$YFF848 | Flash EEPROM Control Register (FEE3CTL) | |
| \$YFF84A | Reserved | |
| \$YFF84C | Reserved | |
| \$YFF84E | Reserved | |
| \$YFF850 | Flash EEPROM Bootstrap Word 0 (FEE3BS0) | |
| \$YFF852 | Flash EEPROM Bootstrap Word 1 (FEE3BS1) | |
| \$YFF854 | Flash EEPROM Bootstrap Word 2 (FEE3BS2) | |
| \$YFF856 | Flash EEPROM Bootstrap Word 3 (FEE3BS3) | |
| \$YFF858 | Reserved | |
| \$YFF85A | Reserved | |
| \$YFF85C | Reserved | |
| \$YFF85E | Reserved | |

NOTES:

1. Y = M111, where M is the logic state of the module mapping (MM) bit in the SCIMCR.

NOTE

In the following register diagrams, bits with reset states determined by shadow bits are shaded. The reset value “SB” indicates that a bit assumes the value of its associated shadow bit during reset.

The following register descriptions apply to the corresponding register in all control blocks. References to FEE_xMCR, for example, apply to FEE1MCR (in the 16-Kbyte module), FEE2MCR (in the 48-Kbyte module), and FEE3MCR (in the 32-Kbyte module).

D.5.1 Flash EEPROM Module Configuration Register

- FEE1MCR** — Flash EEPROM Module Configuration Register 1 **\$YFF800**
- FEE2MCR** — Flash EEPROM Module Configuration Register 2 **\$YFF820**
- FEE3MCR** — Flash EEPROM Module Configuration Register 3 **\$YFF840**

| | | | | | | | | | | | | | | | |
|------|-----|----|------|------|----|-----------|---|-----------|---|---|---|---|---|---|---|
| 15 | 14 | 13 | 12 | 11 | 10 | 9 | 8 | 7 | 6 | 5 | 4 | 3 | 2 | 1 | 0 |
| STOP | FRZ | 0 | BOOT | LOCK | 0 | ASPC[1:0] | | WAIT[1:0] | | 0 | 0 | 0 | 0 | 0 | 0 |

RESET:

| | | | | | | | | | | | | | | | |
|---------------|---|---|----|----|---|----|----|----|----|---|---|---|---|---|---|
| DATA14 +SB | 0 | 0 | SB | SB | 0 | SB | SB | SB | SB | 0 | 0 | 0 | 0 | 0 | 0 |
|---------------|---|---|----|----|---|----|----|----|----|---|---|---|---|---|---|

The FEE_xMCR register (FEE1MCR, FEE2MCR, FEE3MCR) controls module configuration. This register can be written only when LOCK = 0. All active bits in the FEE_xMCR take values from the associated shadow register during reset.

STOP — Stop Mode Control

- 0 = Normal operation.
- 1 = Low-power stop operation.

STOP can be set either by pulling data bus pin DATA14 low during reset (for all flash EEPROM modules) or by the corresponding shadow bit. The array can be re-enabled by clearing STOP. If STOP is set during programming or erasing, the program/erase voltage is automatically turned off. However, the ENPE control bit in FEExCTL remains set. When STOP is cleared, the program/erase voltage is automatically turned back on if ENPE is set.

FRZ — Freeze Mode Control

- 0 = Disable program/erase voltage while FREEZE is asserted.
- 1 = Allow the ENPE bit to turn on the program/erase voltage while FREEZE is asserted.

$\overline{\text{BOOT}}$ — Boot Control

- 0 = Flash EEPROM module responds to bootstrap addresses after reset.
- 1 = Flash EEPROM module does not respond to bootstrap addresses after reset.

On reset, $\overline{\text{BOOT}}$ takes on the value stored in its associated shadow bit. If $\overline{\text{BOOT}} = 0$ and STOP = 0, the module responds to program space accesses to IMB addresses \$000000 to \$000006 following reset, and the contents of FEExBS[3:0] are used as bootstrap vectors. After address \$000006 is read, the module responds normally to control block or array addresses only.

LOCK — Lock Registers

- 0 = Write-locking disabled.
- 1 = Write-locked registers protected.

If the reset state of LOCK is zero, it can be set once after reset to allow protection of the registers after initialization. Once the LOCK bit is set by software, it cannot be cleared again until after a reset.

ASPC[1:0] — Flash EEPROM Array Space

ASPC[1:0] assigns the array to supervisor or user space, and to program or data space. The state of ASPC[1:0] out of reset is determined by the value stored in the associated shadow bits. Since the CPU16 runs only in supervisor mode, ASPC1 must remain set to one for array accesses to take place. The field can be written only when LOCK = 0 and STOP = 1. Refer to **Table D-24**.

Table D-24 Array Space Encoding

| ASPC[1:0] | Type of Access |
|-----------|-----------------------------------|
| 10 | Supervisor program and data space |
| 11 | Supervisor program space |

WAIT[1:0] — Wait States

The state of WAIT[1:0] out of reset is determined by the value stored in the associated shadow bits. WAIT[1:0] specifies the number of wait states inserted during accesses to the flash EEPROM module. A wait state has the duration of one system clock cycle. WAIT[1:0] affects both control block and array accesses, and can be written only if LOCK = 0 and STOP = 1. Refer to **Table D-25**.

Table D-25 Wait State Encoding

| WAIT[1:0] | Wait States | Clocks Per Transfer |
|-----------|-------------|---------------------|
| 00 | 0 | 3 |
| 01 | 1 | 4 |
| 10 | 2 | 5 |
| 11 | -1 | 2 |

The value of WAIT[1:0] is compatible with the lower two bits of the $\overline{\text{DSACK}}$ field in the SCIM chip-select option registers. An encoding of %11 in WAIT[1:0] corresponds to an encoding for fast termination.

D.5.2 Flash EEPROM Test Register

| | |
|---|-----------------|
| FEE1TST — Flash EEPROM Test Register 1 | \$YFF802 |
| FEE2TST — Flash EEPROM Test Register 2 | \$YFF822 |
| FEE3TST — Flash EEPROM Test Register 3 | \$YFF842 |

These registers are used for factory test only.

D.5.3 Flash EEPROM Base Address Registers

| | |
|--|-----------------|
| FEE1BAH — Flash EEPROM Base Address Register High 1 | \$YFF804 |
| FEE2BAH — Flash EEPROM Base Address Register High 2 | \$YFF824 |
| FEE3BAH — Flash EEPROM Base Address Register High 3 | \$YFF844 |

| | | | | | | | | | | | | | | | |
|----|----|----|----|----|----|---|---|------------|------------|------------|------------|------------|------------|------------|------------|
| 15 | 14 | 13 | 12 | 11 | 10 | 9 | 8 | 7 | 6 | 5 | 4 | 3 | 2 | 1 | 0 |
| 0 | 0 | 0 | 0 | 0 | 0 | 0 | 0 | ADDR 23 | ADDR 22 | ADDR 21 | ADDR 20 | ADDR 19 | ADDR 18 | ADDR 17 | ADDR 16 |

RESET:

| | | | | | | | | | | | | | | | |
|---|---|---|---|---|---|---|---|----|----|----|----|----|----|----|----|
| 0 | 0 | 0 | 0 | 0 | 0 | 0 | 0 | SB | SB | SB | SB | SB | SB | SB | SB |
|---|---|---|---|---|---|---|---|----|----|----|----|----|----|----|----|

| | |
|---|-----------------|
| FEE1BAL — Flash EEPROM Base Address Register Low 1 | \$YFF806 |
|---|-----------------|

| | | | | | | | | | | | | | | | |
|------------|------------|----|----|----|----|---|---|---|---|---|---|---|---|---|---|
| 15 | 14 | 13 | 12 | 11 | 10 | 9 | 8 | 7 | 6 | 5 | 4 | 3 | 2 | 1 | 0 |
| ADDR 15 | ADDR 14 | 0 | 0 | 0 | 0 | 0 | 0 | 0 | 0 | 0 | 0 | 0 | 0 | 0 | 0 |

RESET:

| | | | | | | | | | | | | | | | |
|----|----|---|---|---|---|---|---|---|---|---|---|---|---|---|---|
| SB | SB | 0 | 0 | 0 | 0 | 0 | 0 | 0 | 0 | 0 | 0 | 0 | 0 | 0 | 0 |
|----|----|---|---|---|---|---|---|---|---|---|---|---|---|---|---|

FEE2BAL — Flash EEPROM Base Address Register Low 2 **\$YFF826**
FEE3BAL — Flash EEPROM Base Address Register Low 3 **\$YFF846**

| | | | | | | | | | | | | | | | |
|----|----|----|----|----|----|---|---|---|---|---|---|---|---|---|---|
| 15 | 14 | 13 | 12 | 11 | 10 | 9 | 8 | 7 | 6 | 5 | 4 | 3 | 2 | 1 | 0 |
| 0 | 0 | 0 | 0 | 0 | 0 | 0 | 0 | 0 | 0 | 0 | 0 | 0 | 0 | 0 | 0 |

RESET:

0 0 0 0 0 0 0 0 0 0 0 0 0 0 0 0

The base address high registers (FEE1BAH, FEE2BAH, FEE3BAH) contain the 8 high-order bits of the array base address; the base address low registers (FEE1BAL, FEE2BAL, FEE3BAL) contain the active low-order bits of the array base address. During reset, both FEExBAH and FEExBAL take on default values programmed into associated shadow registers. After reset, if LOCK = 0 and STOP = 1, software can write to FEExBAH and FEExBAL to relocate the array.

D.5.4 Flash EEPROM Control Register

FEE1CTL — Flash EEPROM Control Register 1 **\$YFF808**
FEE2CTL — Flash EEPROM Control Register 2 **\$YFF828**
FEE3CTL — Flash EEPROM Control Register 3 **\$YFF848**

| | | | | | | | | | | | | | | | |
|----|----|----|----|----|----|---|---|---|---|---|---|------|------|-----|------|
| 15 | 14 | 13 | 12 | 11 | 10 | 9 | 8 | 7 | 6 | 5 | 4 | 3 | 2 | 1 | 0 |
| 0 | 0 | 0 | 0 | 0 | 0 | 0 | 0 | 0 | 0 | 0 | 0 | VFPE | ERAS | LAT | ENPE |

RESET:

0 0 0 0 0 0 0 0 0 0 0 0 0 0 0 0

The FEEExCTL register (FEE1CTL, FEE2CTL, FEE3CTL) controls programming and erasure of the arrays. FEEExCTL is accessible in supervisor mode only.

VFPE — Verify Program/Erase

0 = Normal read cycles.

1 = Invoke program verify circuit.

The VFPE bit invokes a special program-verify circuit. During programming sequences (ERAS = 0), VFPE is used in conjunction with the LAT bit to determine when programming of a location is complete. If VFPE and LAT are both set, a bit-wise exclusive-OR of the latched data with the data in the location being programmed occurs when any valid FLASH location is read. If the location is completely programmed, a value of zero is read. Any other value indicates that the location is not fully programmed. When VFPE is cleared, normal reads of valid FLASH locations occur. The value of VFPE cannot be changed while ENPE = 1.

ERAS — Erase Control

0 = Flash EEPROM configured for programming

1 = Flash EEPROM configured for erasure

The ERAS bit configures the array for either programming or erasure. Setting ERAS causes all locations in the array and all control bits in the control block to be configured for erasure at the same time.

Freescale Semiconductor, Inc.

When the LAT bit is set, ERAS also determines whether a read returns the data in the addressed location (ERAS = 1) or the address itself (ERAS = 0). ERAS cannot be changed while ENPE = 1.

LAT — Latch Control

0 = Programming latches disabled.

1 = Programming latches enabled.

The LAT bit configures the EEPROM array for normal reads or for programming. When LAT is cleared, the FLASH module address and data buses are connected to the IMB address and data buses and the module is configured for normal reads. When LAT is set, module address and data buses are connected to parallel internal latches and the array is configured for programming or erasing.

Once LAT is set, the next write to a valid FLASH module address causes the programming circuitry to latch both address and data. Unless control register shadow bits are to be programmed, the write must be to an array address. The value of LAT cannot be changed while ENPE = 1.

ENPE — Enable Programming/Erase

0 = Disable program/erase voltage.

1 = Apply program/erase voltage to flash EEPROM.

Setting the ENPE bit applies the program/erase voltage to the array. ENPE can be set only after LAT has been set and a write to the data and address latches has occurred. ENPE remains cleared if these conditions are not met. While ENPE is set, the LAT, VFPE, and ERAS bits cannot be changed, and attempts to read an array location are ignored.

FEE1BS[3:0] — Flash EEPROM Bootstrap Words

\$YFF810–\$YFF816

FEE2BS[3:0] — Flash EEPROM Bootstrap Words

\$YFF820–\$YFF826

FEE3BS[3:0] — Flash EEPROM Bootstrap Words

\$YFF830–\$YFF836

The flash EEPROM bootstrap words (FEE1BS[3:0], FEE2BS[3:0], FEE3BS[3:0]) can be used as system bootstrap vectors. When BOOT = 1 in FEE_xMCR during reset, the flash module responds to program space accesses of IMB addresses \$000000 to \$000006 after reset. When BOOT = 0, the flash module responds only to normal array and register accesses. FEE_xBS[3:0] can be read at any time, but it can only be changed by programming the appropriate locations. **Table D-26** shows bootstrap word addresses in program space.

Table D-26 Bootstrap Words

| Bootstrap Word | Corresponding Boot Address | Corresponding Vector Content |
|------------------|----------------------------|------------------------------|
| FEE1BS0, FEE2BS0 | \$000000 | Initial ZK, SK, and PC |
| FEE1BS1, FEE2BS1 | \$000002 | Initial PC |
| FEE1BS2, FEE2BS2 | \$000004 | Initial SP |
| FEE1BS3, FEE2BS3 | \$000006 | Initial IZ |

Freescale Semiconductor, Inc.

D.6 Analog-to-Digital Converter Module

Table D-27 ADC Module Address Map

| Address ¹ | 15 | 8 | 7 | 0 |
|----------------------|---|---|----------------------------------|---|
| \$YFF700 | ADC Module Configuration Register (ADCMCR) | | | |
| \$YFF702 | ADC Test Register (ADCTEST) | | | |
| \$YFF704 | Not Used | | | |
| \$YFF706 | Not Used | | Port ADA Data Register (PORTADA) | |
| \$YFF708 | Not Used | | | |
| \$YFF70A | Control Register 0 (ADCTL0) | | | |
| \$YFF70C | Control Register 1 (ADCTL1) | | | |
| \$YFF70E | Status Register (ADCSTAT) | | | |
| \$YFF710 | Right-Justified Unsigned Result Register 0 (RJURR0) | | | |
| \$YFF712 | Right-Justified Unsigned Result Register 1 (RJURR1) | | | |
| \$YFF714 | Right-Justified Unsigned Result Register 2 (RJURR2) | | | |
| \$YFF716 | Right-Justified Unsigned Result Register 3 (RJURR3) | | | |
| \$YFF718 | Right-Justified Unsigned Result Register 4 (RJURR4) | | | |
| \$YFF71A | Right-Justified Unsigned Result Register 5 (RJURR5) | | | |
| \$YFF71C | Right-Justified Unsigned Result Register 6 (RJURR6) | | | |
| \$YFF71E | Right-Justified Unsigned Result Register 7 (RJURR7) | | | |
| \$YFF720 | Left-Justified Signed Result Register 0 (LJSRR0) | | | |
| \$YFF722 | Left-Justified Signed Result Register 1 (LJSRR1) | | | |
| \$YFF724 | Left-Justified Signed Result Register 2 (LJSRR2) | | | |
| \$YFF726 | Left-Justified Signed Result Register 3 (LJSRR3) | | | |
| \$YFF728 | Left-Justified Signed Result Register 4 (LJSRR4) | | | |
| \$YFF72A | Left-Justified Signed Result Register 5 (LJSRR5) | | | |
| \$YFF72C | Left-Justified Signed Result Register 6 (LJSRR6) | | | |
| \$YFF72E | Left-Justified Signed Result Register 7 (LJSRR7) | | | |
| \$YFF730 | Left-Justified Unsigned Result Register 0 (LJURR0) | | | |
| \$YFF732 | Left-Justified Unsigned Result Register 1 (LJURR1) | | | |
| \$YFF734 | Left-Justified Unsigned Result Register 2 (LJURR2) | | | |
| \$YFF736 | Left-Justified Unsigned Result Register 3 (LJURR3) | | | |
| \$YFF738 | Left-Justified Unsigned Result Register 4 (LJURR4) | | | |
| \$YFF73A | Left-Justified Unsigned Result Register 5 (LJURR5) | | | |
| \$YFF73C | Left-Justified Unsigned Result Register 6 (LJURR6) | | | |
| \$YFF73E | Left-Justified Unsigned Result Register 7 (LJURR7) | | | |

NOTES:

1. Y = M111, where M is the logic state of the MM bit in the SCIMCR

D.6.1 ADC Module Configuration Register

ADCMCR — ADC Module Configuration Register

\$YFF700

| | | | | | | | |
|------|-----|----------|----|---|------|----------|---|
| 15 | 14 | 13 | 12 | 8 | 7 | 6 | 0 |
| STOP | FRZ | NOT USED | | | SUPV | NOT USED | |

RESET:

1 0 0 1

ADCMCR controls ADC operation during low-power stop mode, background debug mode, and freeze mode.

STOP — Low-Power Stop Mode Enable

0 = Normal operation

1 = Low-power operation

STOP places the ADC in low-power state. Setting STOP aborts any conversion in progress. STOP is set to logic level one during reset, and may be cleared to logic level zero by the CPU16. Clearing STOP enables normal ADC operation. However, because analog circuitry bias current has been turned off, there is a period of recovery before output stabilization.

FRZ[1:0] — Freeze Assertion Response

The FRZ field determines ADC response to assertion of the FREEZE signal when the device is placed in background debug mode. Refer to **Table D–28**.

Table D–28 Freeze Encoding

| FRZ[1:0] | Response |
|----------|---|
| 00 | Ignore FREEZE, continue conversions |
| 01 | Reserved |
| 10 | Finish conversion in process, then freeze |
| 11 | Freeze immediately |

SUPV — Supervisor/Unrestricted

This bit has no effect because the CPU16 always operates in supervisor mode.

D.6.2 ADC Test Register

ADCTEST — ADC Test Register

\$YFF702

Used for factory test only.

D.6.3 Port ADA Data Register

PORTADA — Port ADA Data Register

\$YFF706

| | | | | | | | | | | | | | | | |
|----------|----|----|----|----|----|---|---|-------|-------|-------|-------|-------|-------|-------|-------|
| 15 | 14 | 13 | 12 | 11 | 10 | 9 | 8 | 7 | 6 | 5 | 4 | 3 | 2 | 1 | 0 |
| NOT USED | | | | | | | | PADA7 | PADA6 | PADA5 | PADA4 | PADA3 | PADA2 | PADA1 | PADA0 |

RESET:

REFLECTS STATE OF THE INPUT PINS

Port ADA is an input port that shares pins with the A/D converter inputs.

PADA[7:0] — Port ADA Data Pins

A read of PADA[7:0] returns the logic level of the port ADA pins. If an input is not at an appropriate logic level (that is, outside the defined levels), the read is indeterminate. Use of a port ADA pin for digital input does not preclude its simultaneous use as an analog input.

D.6.4 ADC Control Register 0

ADCTL0 — ADC Control Register 0

\$YFF70A

| | | | | | | | | | | | | | | | |
|----------|----|----|----|----|----|---|---|-------|----------|---|---|----------|---|---|---|
| 15 | 14 | 13 | 12 | 11 | 10 | 9 | 8 | 7 | 6 | 5 | 4 | 3 | 2 | 1 | 0 |
| NOT USED | | | | | | | | RES10 | STS[1:0] | | | PRS[4:0] | | | |

RESET:

0 0 0 0 0 0 0 1 1

ADCTL0 is used to select 8- or 10-bit conversions, sample time, and ADC clock frequency. Writes to it have immediate effect.

RES10 — 10-Bit Resolution

0 = 8-bit conversion

1 = 10-bit conversion

Conversion results are appropriately aligned in result registers to reflect the number of bits.

STS[1:0] — Sample Time Selection

Total conversion time is the sum of initial sample time, transfer time, final sample time, and resolution time. Initial sample time is fixed at two ADC clocks. Transfer time is fixed at two ADC clocks. Resolution time is fixed at 10 ADC clocks for an 8-bit conversion and 12 ADC clocks for a 10-bit conversion. Final sample time is determined by the STS[1:0] field. Refer to **Table D-29**.

Table D-29 Sample Time Selection

| STS[1:0] | Sample Time |
|----------|----------------------|
| 00 | 2 ADC Clock Periods |
| 01 | 4 ADC Clock Periods |
| 10 | 8 ADC Clock Periods |
| 11 | 16 ADC Clock Periods |

PRS[4:0] — Prescaler Rate Selection

The ADC clock is derived from the system clock by a programmable prescaler. ADC clock period is determined by the value of the PRS field in ADCTL0. The prescaler has two stages. The first stage is a 5-bit modulus counter. It divides the system clock by any value from 2 to 32 (PRS[4:0] = %00000 to %11111). The second stage is a divide-by-two circuit. Refer to **Table D-30**.

Table D-30 Prescaler Output

| PRS[4:0] | ADC Clock | Minimum System Clock | Maximum System Clock |
|----------|-----------------|----------------------|----------------------|
| %00000 | Reserved | — | — |
| %00001 | System Clock/4 | 2.0 MHz | 8.4 MHz |
| %00010 | System Clock/6 | 3.0 MHz | 12.6 MHz |
| %00011 | System Clock/8 | 4.0 MHz | 16.8 MHz |
| ... | ... | ... | ... |
| %11101 | System Clock/60 | 30.0 MHz | — |
| %11110 | System Clock/62 | 31.0 MHz | — |
| %11111 | System Clock/64 | 32.0 MHz | — |

D.6.5 ADC Control Register 1

ADCTL1 — ADC Control Register 1

\$YFF70C

| | | | | | | | | |
|----------|------|------|------|----|----|----|----|---|
| 15 | 7 | 6 | 5 | 4 | 3 | 2 | 1 | 0 |
| NOT USED | SCAN | MULT | S8CM | CD | CC | CB | CA | |
| RESET: | 0 | 0 | 0 | 0 | 0 | 0 | 0 | 0 |

ADCTL1 is used to initiate an A/D conversion and to select conversion modes and a conversion channel or channels. It can be read or written at any time. A write to ADCTL1 initiates a conversion sequence. If a conversion sequence is already in progress, a write to ADCTL1 aborts it and resets the SCF and CCF flags in the ADC status register.

SCAN — Scan Mode Selection

- 0 = Single conversion
- 1 = Continuous conversions

Length of conversion sequence(s) is determined by S8CM.

MULT — Multichannel Conversion

- 0 = Conversion sequence(s) run on a single channel selected by [CD:CA].
- 1 = Sequential conversions of four or eight channels selected by [CD:CA].

Length of conversion sequence(s) is determined by S8CM.

S8CM — Select Eight-Conversion Sequence Mode

- 0 = Four-conversion sequence
- 1 = Eight-conversion sequence

This bit determines the number of conversions in a conversion sequence. **Table D-31** displays the different ADC conversion modes.

Table D-31 ADC Conversion Mode

| SCAN | MULT | S8CM | MODE |
|------|------|------|--|
| 0 | 0 | 0 | Single 4-Conversion Single-Channel Sequence |
| 0 | 0 | 1 | Single 8-Conversion Single-Channel Sequence |
| 0 | 1 | 0 | Single 4-Conversion Multichannel Sequence |
| 0 | 1 | 1 | Single 8-Conversion Multichannel Sequence |
| 1 | 0 | 0 | Multiple 4-Conversion Single-Channel Sequences |
| 1 | 0 | 1 | Multiple 8-Conversion Single-Channel Sequences |
| 1 | 1 | 0 | Multiple 4-Conversion Multichannel Sequences |
| 1 | 1 | 1 | Multiple 8-Conversion Multichannel Sequences |

CD:CA — Channel Selection

Bits in this field select input channel or channels for A/D conversion.

Conversion mode determines which channel or channels are selected for conversion and which result registers are used to store conversion results. **Tables D-32 and D-33** contain a summary of the effects of ADCTL1 bits and fields.

Table D-32 Single-Channel Conversions (MULT = 0)

| S8CM | CD | CC | CB | CA | Input | Result Register ¹ |
|------|----|----|----|----|--|------------------------------|
| 0 | 0 | 0 | 0 | 0 | AN0 | RSLT[0:3] |
| 0 | 0 | 0 | 0 | 1 | AN1 | RSLT[0:3] |
| 0 | 0 | 0 | 1 | 0 | AN2 | RSLT[0:3] |
| 0 | 0 | 0 | 1 | 1 | AN3 | RSLT[0:3] |
| 0 | 0 | 1 | 0 | 0 | AN4 | RSLT[0:3] |
| 0 | 0 | 1 | 0 | 1 | AN5 | RSLT[0:3] |
| 0 | 0 | 1 | 1 | 0 | AN6 | RSLT[0:3] |
| 0 | 0 | 1 | 1 | 1 | AN7 | RSLT[0:3] |
| 0 | 1 | 0 | 0 | 0 | Reserved | RSLT[0:3] |
| 0 | 1 | 0 | 0 | 1 | Reserved | RSLT[0:3] |
| 0 | 1 | 0 | 1 | 0 | Reserved | RSLT[0:3] |
| 0 | 1 | 0 | 1 | 1 | Reserved | RSLT[0:3] |
| 0 | 1 | 1 | 0 | 0 | V _{RH} | RSLT[0:3] |
| 0 | 1 | 1 | 0 | 1 | V _{RL} | RSLT[0:3] |
| 0 | 1 | 1 | 1 | 0 | (V _{RH} - V _{RL}) / 2 | RSLT[0:3] |
| 0 | 1 | 1 | 1 | 1 | Test/Reserved | RSLT[0:3] |
| 1 | 0 | 0 | 0 | 0 | AN0 | RSLT[0:7] |
| 1 | 0 | 0 | 0 | 1 | AN1 | RSLT[0:7] |
| 1 | 0 | 0 | 1 | 0 | AN2 | RSLT[0:7] |
| 1 | 0 | 0 | 1 | 1 | AN3 | RSLT[0:7] |
| 1 | 0 | 1 | 0 | 0 | AN4 | RSLT[0:7] |
| 1 | 0 | 1 | 0 | 1 | AN5 | RSLT[0:7] |
| 1 | 0 | 1 | 1 | 0 | AN6 | RSLT[0:7] |
| 1 | 0 | 1 | 1 | 1 | AN7 | RSLT[0:7] |
| 1 | 1 | 0 | 0 | 0 | Reserved | RSLT[0:7] |
| 1 | 1 | 0 | 0 | 1 | Reserved | RSLT[0:7] |
| 1 | 1 | 0 | 1 | 0 | Reserved | RSLT[0:7] |
| 1 | 1 | 0 | 1 | 1 | Reserved | RSLT[0:7] |
| 1 | 1 | 1 | 0 | 0 | V _{RH} | RSLT[0:7] |
| 1 | 1 | 1 | 0 | 1 | V _{RL} | RSLT[0:7] |
| 1 | 1 | 1 | 1 | 0 | (V _{RH} - V _{RL}) / 2 | RSLT[0:7] |
| 1 | 1 | 1 | 1 | 1 | Test/Reserved | RSLT[0:7] |

NOTES:

1. Result register (RSLT) is either RJURRX, LJSRRX, or LJURRX, depending on the address read.

Table D-33 Multiple-Channel Conversions (MULT = 1)

| S8CM | CD | CC | CB | CA | Input | Result Register ¹ |
|------|----|----|----|----|--|--|
| 0 | 0 | 0 | X | X | AN0 AN1 AN2 AN3 | RSLT0 RSLT1 RSLT2 RSLT3 |
| 0 | 0 | 1 | X | X | AN4 AN5 AN6 AN7 | RSLT0 RSLT1 RSLT2 RSLT3 |
| 0 | 1 | 0 | X | X | Reserved Reserved Reserved Reserved | RSLT0 RSLT1 RSLT2 RSLT3 |
| 0 | 1 | 1 | X | X | V_{RH} V_{RL} $(V_{RH} - V_{RL}) / 2$ Test/Reserved | RSLT0 RSLT1 RSLT2 RSLT3 |
| 1 | 0 | X | X | X | AN0 AN1 AN2 AN3 AN4 AN5 AN6 AN7 | RSLT0 RSLT1 RSLT2 RSLT3 RSLT4 RSLT5 RSLT6 RSLT7 |
| 1 | 1 | X | X | X | Reserved Reserved Reserved Reserved V_{RH} V_{RL} $(V_{RH} - V_{RL}) / 2$ Test/Reserved | RSLT0 RSLT1 RSLT2 RSLT3 RSLT4 RSLT5 RSLT6 RSLT7 |

NOTES:

1. Result register (RSLT) is either RJURRX, LJSRRX, or LJURRX, depending on the address read.

D.6.6 ADC Status Register

ADCSTAT — ADC Status Register

\$YFF70E

| | | | | | | | | | | | | | | | |
|--------|----------|----|----|----|-----------|---|---|----------|---|---|---|---|---|---|---|
| 15 | 14 | 13 | 12 | 11 | 10 | 9 | 8 | 7 | 6 | 5 | 4 | 3 | 2 | 1 | 0 |
| SCF | NOT USED | | | | CCTR[2:0] | | | CCF[7:0] | | | | | | | |
| RESET: | | | | | | | | | | | | | | | |
| 0 | | | | | 0 | 0 | 0 | 0 | 0 | 0 | 0 | 0 | 0 | 0 | 0 |

ADCSTAT contains information related to the status of a conversion sequence.

SCF — Sequence Complete Flag

0 = Sequence not complete

1 = Sequence complete

SCF is set at the end of the conversion sequence when SCAN is cleared, and at the end of the first conversion sequence when SCAN is set. SCF is cleared when ADCTL1 is written and a new conversion sequence begins.

CCTR[2:0] — Conversion Counter

This field reflects the contents of the conversion counter pointer in either four or eight count conversion sequence. The value corresponds to the number of the next result register to be written, and thus indicates which channel is being converted.

CCF[7:0] — Conversion Complete Flags

Each bit in this field corresponds to an A/D result register (for example, CCF7 to RSLT7). A bit is set when conversion for the corresponding channel is complete, and remains set until the associated result register is read.

D.6.7 Right Justified, Unsigned Result Register

RJURR — Right-Justified, Unsigned Result Register

\$YFF710–\$YFF71F

| | | | | | | | | | | | | | | | |
|----------|--|--|--|--|----|----|------|------|------|------|------|------|------|------|------|
| 15 | | | | | 10 | 9 | 8 | 7 | 6 | 5 | 4 | 3 | 2 | 1 | 0 |
| NOT USED | | | | | 10 | 10 | 8/10 | 8/10 | 8/10 | 8/10 | 8/10 | 8/10 | 8/10 | 8/10 | 8/10 |

Conversion result is unsigned right-justified data. Bits [9:0] are used for 10-bit resolution. For 8-bit conversions, bits [7:0] contain data and bits [9:8] are zero. Bits [15:10] always return zero when read.

D.6.8 Left Justified, Signed Result Register

LJSRR — Left Justified, Signed Result Register

\$YFF720–\$YFF72F

| | | | | | | | | | | | | | | | |
|------|------|------|------|------|------|------|------|----|----|----------|--|--|--|--|---|
| 15 | 14 | 13 | 12 | 11 | 10 | 9 | 8 | 7 | 6 | 5 | | | | | 0 |
| 8/10 | 8/10 | 8/10 | 8/10 | 8/10 | 8/10 | 8/10 | 8/10 | 10 | 10 | NOT USED | | | | | |

Conversion result is signed left-justified data. Bits [15:6] are used for 10-bit resolution. For 8-bit conversions, bits [15:8] contain data and bits [7:6] are zero. Although the ADC is unipolar, it is assumed that the zero point is halfway between low and high reference when this format is used ($V_{RH} - V_{RL}/2$). For positive input, bit 15 = 0. For negative input, bit 15 = 1. Bits [5:0] always return zero when read.

D.6.9 Left Justified, Unsigned Result Register

LJURR — Left Justified, Unsigned Result Register

\$YFF730–\$YFF73F

| | | | | | | | | | | | | |
|------|------|------|------|------|------|------|------|----|----|----------|---|--|
| 15 | 14 | 13 | 12 | 11 | 10 | 9 | 8 | 7 | 6 | 5 | 0 | |
| 8/10 | 8/10 | 8/10 | 8/10 | 8/10 | 8/10 | 8/10 | 8/10 | 10 | 10 | NOT USED | | |

Conversion result is unsigned left-justified data. Bits [15:6] are used for 10-bit resolution. For 8-bit conversions, bits [15:8] contain data and bits [7:6] are zero. Bits [5:0] always return zero when read.

D.7 Queued Serial Module

Table D-34 QSM Address Map

| Address ¹ | 15 | 8 | 7 | 0 |
|----------------------|---|---|---|---|
| \$YFFC00 | QSM Module Configuration Register (QSMCR) | | | |
| \$YFFC02 | QSM Test Register (QTEST) | | | |
| \$YFFC04 | QSM Interrupt Level Register (QILR) | | QSM Interrupt Vector Register (QIVR) | |
| \$YFFC06 | Not Used | | | |
| \$YFFC08 | SCI Control 0 Register (SCCR0) | | | |
| \$YFFC0A | SCI Control 1 Register (SCCR1) | | | |
| \$YFFC0C | SCI Status Register (SCSR) | | | |
| \$YFFC0E | SCI Data Register (SCDR) | | | |
| \$YFFC10 | Not Used | | | |
| \$YFFC12 | Not Used | | | |
| \$YFFC14 | Not Used | | Port QS Data Register (PORTQS) | |
| \$YFFC16 | Port QS Pin Assignment Register (PQSPAR) | | Port QS Data Direction Register (DDRQS) | |
| \$YFFC18 | SPI Control Register 0 (SPCR0) | | | |
| \$YFFC1A | SPI Control Register 1 (SPCR1) | | | |
| \$YFFC1C | SPI Control Register 2 (SPCR2) | | | |
| \$YFFC1E | SPI Control Register 3 (SPCR3) | | SPI Status Register (SPSR) | |
| \$YFFC20 – \$YFFCFF | Not Used | | | |
| \$YFFD00 – \$YFFD1F | Receive RAM (RR[0:F]) | | | |
| \$YFFD20 – \$YFFD3F | Transmit RAM (TR[0:F]) | | | |
| \$YFFD40 – \$YFFD4F | Command RAM (CR[0:F]) | | | |

NOTES:

1. Y = M111, where M is the logic state of the module mapping (MM) bit in the SIMCR.

D.7.1 QSM Configuration Register

QSMCR — QSM Configuration Register

\$YFFC00

| | | | | | | | | | | | | | | | |
|------|------|------|----------|----|----|---|------|----------|---|---|-----------|---|---|---|---|
| 15 | 14 | 13 | 12 | 11 | 10 | 9 | 8 | 7 | 6 | 5 | 4 | 3 | 2 | 1 | 0 |
| STOP | FRZ1 | FRZ0 | NOT USED | | | | SUPV | NOT USED | | | IARB[3:0] | | | | |

RESET:

0 0 0 1 0 0 0 0

QSMCR bits enable stop and freeze modes, and determine the arbitration priority of QSM interrupt requests.

STOP — Low-Power Stop Mode Enable

0 = QSM clock operates normally.

1 = QSM clock is stopped.

When STOP is set, the QSM enters low-power stop mode. The system clock input to the module is disabled. While STOP is set, only QSMCR reads and writes are guaranteed to be valid, but only writes to the QSPI RAM and other QSM registers are guaranteed valid. The SCI receiver and transmitter and the QSPI should be disabled before STOP is set. To stop the QSPI, set the HALT bit in SPCR3, wait until the HALTA flag is set, then set STOP. To stop the SCI, clear the TS and RE bits in SCCR1.

FRZ1— FREEZE Assertion Response

FRZ1 determines what action is taken by the QSPI when the IMB FREEZE signal is asserted.

- 0 = Ignore the IMB FREEZE signal.
- 1 = Halt the QSPI on a transfer boundary.

FRZ0 — Not Implemented

Bits [12:8] — Not Implemented

SUPV — Supervisor/Unrestricted

This bit has no effect because the CPU16 in the MCU operates only in supervisor mode.

Bits [6:4] — Not Implemented

IARB[3:0] — Interrupt Arbitration ID

The IARB field is used to arbitrate between simultaneous interrupt requests of the same priority. Each module that can generate interrupt requests must be assigned a unique, non-zero IARB field value in order to request an interrupt.

D.7.2 QSM Test Register

QTEST — QSM Test Register

\$YFFC02

Used for factory test only.

D.7.3 QSM Interrupt Level Register/Interrupt Vector Register

QILR —QSM Interrupt Levels Register

\$YFFC04

QIVR — QSM Interrupt Vector Register

\$YFFC05

| | | | | | | | | | | | | | | | | |
|----------|----|-------------|----|----|------------|---|---|-----------|---|---|---|---|---|---|---|---|
| 15 | 14 | 13 | 12 | 11 | 10 | 9 | 8 | 7 | 6 | 5 | 4 | 3 | 2 | 1 | 0 | |
| NOT USED | | ILQSPI[2:0] | | | ILSCI[2:0] | | | INTV[7:0] | | | | | | | | |
| RESET: | | | | | | | | | | | | | | | | |
| | | 0 | 0 | 0 | 0 | 0 | 0 | 0 | 0 | 0 | 0 | 0 | 1 | 1 | 1 | 1 |

The values of ILQSPI[2:0] and ILSCI[2:0] in QILR determine the priority of QSPI and SCI interrupt requests. QIVR determines the value of the interrupt vector number the QSM supplies when it responds to an interrupt acknowledge cycle.

ILQSPI[2:0] — Interrupt Level for QSPI

When an interrupt request is made, the ILQSPI value determines the priority level of all QSPI interrupts. When a request is acknowledged, the QSM compares this value to a mask value supplied by the CPU16 to determine whether to respond. ILQSPI must have a value in the range \$0 (interrupts disabled) to \$7 (highest priority).

ILSCI[2:0] — Interrupt Level for SCI

When an interrupt request is made, the ILSCI value determines the priority level of all SCI interrupts. When a request is acknowledged, the QSM compares this value to a mask value supplied by the CPU16 to determine whether to respond. The field must have a value in the range \$0 (interrupts disabled) to \$7 (highest priority).

If ILQSPI[2:0] and ILSCI[2:0] have the same non-zero value, and both submodules simultaneously request interrupt service, the QSPI takes priority over the SCI.

INTV[7:0] — Interrupt Vector Number

The value of INTV[7:1] is used for both QSPI and SCI interrupt requests; the value of INTV0 used during an interrupt acknowledge cycle is supplied by the QSM. INTV0 is at logic level zero during an SCI interrupt and at logic level one during a QSPI interrupt. A write to INTV0 has no effect. Reads of INTV0 return a value of one. At reset, QIVR is initialized to \$0F, the uninitialized interrupt vector number. To use interrupt-driven serial communication, a user-defined vector number must be written to QIVR.

D.7.4 SCI Control Register

SCCR0 — SCI Control Register 0

\$YFFC08

| | | | | | | | | | | | | | | | |
|----------|----|----|------------|----|----|---|---|---|---|---|---|---|---|---|---|
| 15 | 14 | 13 | 12 | 11 | 10 | 9 | 8 | 7 | 6 | 5 | 4 | 3 | 2 | 1 | 0 |
| NOT USED | | | SCBR[12:0] | | | | | | | | | | | | |

RESET:

0 0 0 0 0 0 0 0 0 0 0 0 0 1 0 0

SCCR0 contains the SCI baud rate selection field. Baud rate must be set before the SCI is enabled. The CPU16 can read and write SCCR0 at any time. Changing the value of SCCR0 bits during a transfer operation disrupts operation.

Bits [15:13] — Not Implemented

SCBR[12:0] — SCI Baud Rate

SCI baud rate is programmed by writing a 13-bit value to this field. Writing a value of zero to SCBR disables the baud rate generator. Baud clock rate is calculated as follows:

$$\text{SCI Baud Rate} = \frac{f_{\text{sys}}}{32 \times \text{SCBR}[12:0]}$$

or

Freescale Semiconductor, Inc.

$$\text{SCBR}[12:0] = \frac{f_{\text{sys}}}{32 \times \text{SCI Baud Rate Desired}}$$

where SCBR[12:0] is in the range of 1 to 8191.

Writing a value of zero to SCBR disables the baud rate generator. There are 8191 different bauds available. The baud value depends on the value for SCBR and the system clock, as used in the equation above. **Table D-35** shows possible baud rates for a 16.78 MHz system clock. The maximum baud rate with this system clock speed is 524 kbaud.

Table D-35 Examples of SCI Baud Rates

| Nominal Baud Rate | Actual Baud Rate | Percent Error | Value of SCBR |
|-------------------|------------------|---------------|---------------|
| 500,00.00 | 524,288.00 | 4.86 | 1 |
| 38,400.00 | 37,449.14 | -2.48 | 14 |
| 32,768.00 | 32,768.00 | 0.00 | 16 |
| 19,200.00 | 19,418.07 | 1.14 | 27 |
| 9,600.00 | 9,532.51 | -0.70 | 55 |
| 4,800.00 | 4,809.98 | 0.21 | 109 |
| 2,400.00 | 2,404.99 | 0.21 | 218 |
| 1,200.00 | 1,199.74 | -0.02 | 437 |
| 600.00 | 599.87 | -0.02 | 874 |
| 300.00 | 299.94 | -0.02 | 1,748 |
| 110.00 | 110.01 | 0.01 | 4,766 |
| 64.00 | 64.00 | 0.01 | 8,191 |

More accurate baud rates can be obtained by varying the system clock frequency with the VCO synthesizer. Each VCO speed increment adjusts the baud rate up or down by 1/64 or 1.56%.

D.7.5 SCI Control Register 1

SCCR1 — SCI Control Register 1

\$YFFC0A

| | | | | | | | | | | | | | | | |
|----------|-------|------|-----|----|----|---|------|-----|------|-----|------|----|----|-----|-----|
| 15 | 14 | 13 | 12 | 11 | 10 | 9 | 8 | 7 | 6 | 5 | 4 | 3 | 2 | 1 | 0 |
| NOT USED | LOOPS | WOMS | ILT | PT | PE | M | WAKE | TIE | TCIE | RIE | ILIE | TE | RE | RWU | SBK |

RESET:

0 0 0 0 0 0 0 0 0 0 0 0 0 0 0 0

SCCR1 contains SCI configuration parameters, including transmitter and receiver enable bits, interrupt enable bits, and operating mode enable bits. SCCR0 can be read or written at any time. The SCI can modify the RWU bit under certain circumstances. Changing the value of SCCR1 bits during a transfer operation disrupts operation.

Bit 15 — Not Implemented

Freescale Semiconductor, Inc.

LOOPS — Loop Mode

- 0 = Normal SCI operation, no looping, feedback path disabled.
- 1 = Test SCI operation, looping, feedback path enabled.

WOMS — Wired-OR Mode for SCI Pins

- 0 = If configured as an output, TXD is a normal CMOS output.
- 1 = If configured as an output, TXD is an open-drain output.

ILT — Idle-Line Detect Type

- 0 = Short idle-line detect (start count on first one).
- 1 = Long idle-line detect (start count on first one after stop bit(s)).

PT — Parity Type

- 0 = Even parity
- 1 = Odd parity

PE — Parity Enable

- 0 = SCI parity disabled.
- 1 = SCI parity enabled.

M — Mode Select

- 0 = 10-bit SCI frame — 1 start bit, 8 data bits, 1 stop bit.
- 1 = 11-bit SCI frame — 1 start bit, 9 data bits, 1 stop bit.

WAKE — Wakeup by Address Mark

- 0 = SCI receiver awakened by idle-line detection.
- 1 = SCI receiver awakened by address mark (last data bit set).

TIE — Transmit Interrupt Enable

- 0 = SCI TDRE interrupts disabled.
- 1 = SCI TDRE interrupts enabled.

TCIE — Transmit Complete Interrupt Enable

- 0 = SCI TC interrupts disabled.
- 1 = SCI TC interrupts enabled.

RIE — Receiver Interrupt Enable

- 0 = SCI RDRF and OR interrupts disabled.
- 1 = SCI RDRF and OR interrupts enabled.

ILIE — Idle-Line Interrupt Enable

- 0 = SCI IDLE interrupts disabled.
- 1 = SCI IDLE interrupts enabled.

TE — Transmitter Enable

- 0 = SCI transmitter disabled (TXD pin can be used as I/O).
- 1 = SCI transmitter enabled (TXD pin dedicated to SCI transmitter).

RE — Receiver Enable

- 0 = SCI receiver disabled.
- 1 = SCI receiver enabled.

Freescale Semiconductor, Inc.

RWU — Receiver Wakeup

0 = Normal receiver operation (received data recognized).

1 = Wakeup mode enabled (received data ignored until receiver is awakened).

SBK — Send Break

0 = Normal operation

1 = Break frame(s) transmitted after completion of the current frame.

D.7.6 SCI Status Register

SCSR — SCI Status Register

\$YFFC0C

| | | | | | | | | | | |
|----------|---|------|----|------|-----|------|----|----|----|----|
| 15 | 9 | 8 | 7 | 6 | 5 | 4 | 3 | 2 | 1 | 0 |
| NOT USED | | TDRE | TC | RDRF | RAF | IDLE | OR | NF | FE | PF |

RESET:

1 1 0 0 0 0 0 0 0 0

SCSR contains flags that show SCI operating conditions. These flags are cleared either by SCI hardware or by a read/write sequence. The sequence consists of reading SCSR, then reading or writing SCDR.

If an internal SCI signal for setting a status bit comes after reading the asserted status bits, but before writing or reading SCDR, the newly set status bit is not cleared. SCSR must be read again with the bit set and SCDR must be read or written before the status bit is cleared.

A long-word read can consecutively access both SCSR and SCDR. This action clears receive status flag bits that were set at the time of the read, but does not clear TDRE or TC flags. Reading either byte of SCSR causes all 16 bits to be accessed, and any status bit already set in either byte is cleared on a subsequent read or write of SCDR.

Bits[15:9] — Not implemented

TDRE — Transmit Data Register Empty

0 = Transmit data register still contains data to be sent to the transmit serial shifter.

1 = A new character can now be written to the transmit data register.

TC — Transmit Complete

0 = SCI transmitter is busy.

1 = SCI transmitter is idle.

RDRF — Receive Data Register Full

0 = Receive data register is empty or contains previously read data.

1 = Receive data register contains new data.

RAF — Receiver Active

0 = SCI receiver is idle.

1 = SCI receiver is busy.

IDLE — Idle-Line Detected

0 = SCI receiver did not detect an idle-line condition.

1 = SCI receiver detected an idle-line condition.

OR — Overrun Error

- 0 = Receive data register is empty and can accept data from the receive serial shifter.
- 1 = Receive data register is full and cannot accept data from the receive serial shifter. Any data in the shifter is lost and RDRF remains set.

NF — Noise Error

- 0 = No noise detected in the received data.
- 1 = Noise detected in the received data.

FE — Framing Error

- 0 = No framing error detected in the received data.
- 1 = Framing error or break detected in the received data.

PF — Parity Error

- 0 = No parity error detected in the received data.
- 1 = Parity error detected in the received data.

D.7.7 SCI Data Register

SCDR — SCI Data Register

\$YFFC0E

| | | | | | | | | | | | | |
|--|----------|--|---|-------|-------|-------|-------|-------|-------|-------|-------|-------|
| | 15 | | 9 | 8 | 7 | 6 | 5 | 4 | 3 | 2 | 1 | 0 |
| | NOT USED | | | R8/T8 | R7/T7 | R6/T6 | R5/T5 | R4/T4 | R3/T3 | R2/T2 | R1/T1 | R0/T0 |

RESET:

U U U U U U U U U U

SCDR consists of two data registers located at the same address. The receive data register (RDR) is a read-only register that contains data received by the SCI serial interface. Data comes into the receive serial shifter and is transferred to RDR. The transmit data register (TDR) is a write-only register that contains data to be transmitted. Data is first written to TDR, then transferred to the transmit serial shifter, where additional format bits are added before transmission. R[7:0]/T[7:0] contain either the first eight data bits received when SCDR is read, or the first eight data bits to be transmitted when SCDR is written. R8/T8 are used when the SCI is configured for nine-bit operation. When the SCI is configured for 8-bit operation, R8/T8 has no meaning or effect.

D.7.8 Port QS Data Register

PORTQS — Port QS Data Register

\$YFFC14

| | | | | | | | | | | | |
|--|----------|--|---|------|------|------|------|------|------|------|------|
| | 15 | | 8 | 7 | 6 | 5 | 4 | 3 | 2 | 1 | 0 |
| | NOT USED | | | PQS7 | PQS6 | PQS5 | PQS4 | PQS3 | PQS2 | PQS1 | PQS0 |

RESET:

0 0 0 0 0 0 0 0

PORTQS latches I/O data. Writes drive pins defined as outputs. Reads return data present on the pins. To avoid driving undefined data, first write a byte to PORTQS, then configure DDRQS.

D.7.9 Port QS Pin Assignment Register/Data Direction Register

PQSPAR — PORT QS Pin Assignment Register

\$YFFFC16

DDRQS — PORT QS Data Direction Register

\$YFFFC17

| | | | | | | | | | | | | | | | |
|-----------|--------|--------|--------|--------|-----------|--------|--------|-------|-------|-------|-------|-------|-------|-------|-------|
| 15 | 14 | 13 | 12 | 11 | 10 | 9 | 8 | 7 | 6 | 5 | 4 | 3 | 2 | 1 | 0 |
| NOT USE D | PQSPA6 | PQSPA5 | PQSPA4 | PQSPA3 | NOT USE D | PQSPA1 | PQSPA0 | DDQS7 | DDQS6 | DDQS5 | DDQS4 | DDQS3 | DDQS2 | DDQS1 | DDQS0 |
| RESET: | | | | | | | | | | | | | | | |
| | 0 | 0 | 0 | 0 | | 0 | 0 | 0 | 0 | 0 | 0 | 0 | 0 | 0 | 0 |

Clearing a bit in PQSPAR assigns the corresponding pin to general-purpose I/O. Setting a bit assigns the pin to the QSPI. PQSPAR does not affect operation of the SCI. **Table D-36** displays PQSPAR pin assignments.

Table D-36 PQSPAR Pin Assignments

| PQSPAR Field | PQSPAR Bit | Pin Function |
|--------------|------------|--------------------------|
| PQSPA0 | 0 1 | PQS0 MISO |
| PQSPA1 | 0 1 | PQS1 MOSI |
| — | — — | PQS2 ¹ SCK |
| PQSPA3 | 0 1 | PQS3 PCS0/SS |
| PQSPA4 | 0 1 | PQS4 PCS1 |
| PQSPA5 | 0 1 | PQS5 PCS2 |
| PQSPA6 | 0 1 | PQS6 PCS3 |
| — | — — | PQS7 ² TXD |

NOTES:

1. PQS2 is a digital I/O pin unless the SPI is enabled (SPE set in SPCR1), in which case it becomes the QSPI serial clock SCK.
2. PQS7 is a digital I/O pin unless the SCI transmitter is enabled (TE set in SCCR1), in which case it becomes the SCI serial output TXD.

DDRQS determines whether pins configured for general purpose I/O are inputs or outputs. Clearing a bit makes the corresponding pin an input; setting a bit makes the pin an output. DDRQS affects both QSPI function and I/O function. **Table D-37** shows the effect of DDRQS on QSM pin function.

Table D-37 Effect of DDRQS on QSM Pin Function

| QSM Pin | Mode | DDRQS Bit | Bit State | Pin Function |
|------------------|--------|-----------|-----------|------------------------------|
| MISO | Master | DDQS0 | 0 | Serial data input to QSPI |
| | | | 1 | Disables data input |
| | Slave | | 0 | Disables data output |
| | | | 1 | Serial data output from QSPI |
| MOSI | Master | DDQS1 | 0 | Disables data output |
| | | | 1 | Serial data output from QSPI |
| | Slave | | 0 | Serial data input to QSPI |
| | | | 1 | Disables data input |
| SCK ¹ | Master | DDQS2 | — | Clock output from QSPI |
| | Slave | | — | Clock input to QSPI |
| PCS0/SS | Master | DDQS3 | 0 | Assertion causes mode fault |
| | | | 1 | Chip-select output |
| | Slave | | 0 | QSPI slave select input |
| | | | 1 | Disables slave select Input |
| PCS[1:3] | Master | DDQS[4:6] | 0 | Disables chip-select output |
| | | | 1 | Chip-select outputs enabled |
| | Slave | | 0 | No effect |
| | | | 1 | No effect |
| TXD ² | — | DDQS7 | X | Serial data output from SCI |
| RXD | — | None | NA | Serial data input to SCI |

NOTES:

1. PQS2 is a digital I/O pin unless the SPI is enabled (SPE set in SPCR1), in which case it becomes the QSPI serial clock SCK.
2. PQS7 is a digital I/O pin unless the SCI transmitter is enabled (TE set in SCCR1), in which case it becomes the SCI serial data output TXD.

DDRQS7 determines the direction of PQS7 only when the SCI transmitter is disabled. When the SCI transmitter is enabled, PQS7 is the TXD output.

D.7.10 QSPI Control Register 0

SPCR0 — QSPI Control Register 0

\$YFFC18

| | | | | | | | | | | | | | | | |
|------|------|-----------|----|----|----|------|------|-----------|---|---|---|---|---|---|---|
| 15 | 14 | 13 | 12 | 11 | 10 | 9 | 8 | 7 | 6 | 5 | 4 | 3 | 2 | 1 | 0 |
| MSTR | WOMQ | BITS[3:0] | | | | CPOL | CPHA | SPBR[7:0] | | | | | | | |

RESET:

0 0 0 0 0 0 0 1 0 0 0 0 0 1 0 0

SPCR0 contains parameters for configuring the QSPI and enabling various modes of operation. SPCR0 must be initialized before QSPI operation begins. Writing a new value to SPCR0 while the QSPI is enabled disrupts operation.

MSTR — Master/Slave Mode Select

- 0 = QSPI is a slave device.
- 1 = QSPI is the system master.

WOMQ — Wired-OR Mode for QSPI Pins

- 0 = Pins designated for output by DDRQS operate in normal mode.
- 1 = Pins designated for output by DDRQS operate in open-drain mode.

BITS[3:0] — Bits Per Transfer

In master mode, when BITSE is set in a command RAM byte, BITS[3:0] determines the number of data bits transferred. When BITSE is cleared, eight bits are transferred. Reserved values default to eight bits. In slave mode, the command RAM is not used and the setting of BITSE has no effect on QSPI transfers. Instead, the BITS[3:0] field determines the number of bits the QSPI will receive during each transfer before storing the received data.

Table D-38 shows the number of bits per transfer.

Table D-38 Bits Per Transfer

| BITS[3:0] | Bits per Transfer |
|-----------|-------------------|
| 0000 | 16 |
| 0001 | Reserved |
| 0010 | Reserved |
| 0011 | Reserved |
| 0100 | Reserved |
| 0101 | Reserved |
| 0110 | Reserved |
| 0111 | Reserved |
| 1000 | 8 |
| 1001 | 9 |
| 1010 | 10 |
| 1011 | 11 |
| 1100 | 12 |
| 1101 | 13 |
| 1110 | 14 |
| 1111 | 15 |

CPOL — Clock Polarity

0 = The inactive state of SCK is logic zero.

1 = The inactive state of SCK is logic one.

CPOL is used to determine the inactive state of the serial clock (SCK). It is used with CPHA to produce a desired clock/data relationship between master and slave devices.

CPHA — Clock Phase

0 = Data is captured on the leading edge of SCK and changed on the trailing edge of SCK.

1 = Data is changed on the leading edge of SCK and captured on the trailing edge of SCK

CPHA determines which edge of SCK causes data to change and which edge causes data to be captured. CPHA is used with CPOL to produce a desired clock/data relationship between master and slave devices.

SPBR[7:0] — Serial Clock Baud Rate

The QSPI uses a modulus counter to derive the SCK baud rate from the MCU system clock. Baud rate is selected by writing a value from 2 to 255 into SPBR[7:0]. The following equation determines the SCK baud rate:

Freescale Semiconductor, Inc.

$$\text{SCK Baud Rate} = \frac{f_{\text{sys}}}{2 \times \text{SPBR}[7:0]}$$

or

$$\text{SPBR}[7:0] = \frac{f_{\text{sys}}}{2 \times \text{SCK Baud Rate Desired}}$$

Giving SPBR[7:0] a value of zero or one disables the baud rate generator. SCK is disabled and assumes its inactive state value. No serial transfers occur. At reset, the SCK baud rate is initialized to one-eighth of the system clock frequency. SPBR has 254 active values. **Table D-39** lists several possible baud values and the corresponding SCK frequency based on a 16.78 MHz system clock.

Table D-39 Examples of SCK Frequencies

| f_{sys} | Required Division Ratio | Value of SPBR | Actual SCK Frequency |
|------------------|-------------------------|---------------|----------------------|
| 16.78 MHz | 4 | 2 | 4.19 MHz |
| | 8 | 4 | 2.10 MHz |
| | 16 | 8 | 1.05 MHz |
| | 34 | 17 | 493 kHz |
| | 168 | 84 | 100 kHz |
| | 510 | 255 | 33 kHz |

D.7.11 QSPI Control Register 1

SPCR1 — QSPI Control Register 1

\$YFFC1A

| | | | | | | | | | | | | | | | |
|-----|----|------------|----|----|----|---|---|----------|---|---|---|---|---|---|---|
| 15 | 14 | 13 | 12 | 11 | 10 | 9 | 8 | 7 | 6 | 5 | 4 | 3 | 2 | 1 | 0 |
| SPE | | DSCKL[6:0] | | | | | | DTL[7:0] | | | | | | | |

RESET:

0 0 0 0 0 1 0 0 0 0 0 0 0 0 1 0 0

SPCR1 enables the QSPI and specifies transfer delays. SPCR1 must be written last during initialization because it contains SPE. Writing a new value to SPCR1 while the QSPI is enabled disrupts operation.

SPE — QSPI Enable

- 0 = QSPI is disabled. QSPI pins can be used for general-purpose I/O.
- 1 = QSPI is enabled. Pins allocated by PQSPAR are controlled by the QSPI.

DSCKL[6:0] — Delay before SCK

When the DSCK bit is set in a command RAM byte, this field determines the length of the delay from PCS valid to SCK transition. PCS can be any of the four peripheral chip-select pins. The following equation determines the actual delay before SCK:

$$\text{PCS to SCK Delay} = \frac{\text{DSCKL}[6:0]}{f_{\text{sys}}}$$

where DSCKL[6:0] is in the range of 1 to 127.

When DSCK is zero in a command RAM byte, then DSCKL[6:0] is not used. Instead, the PCS valid to SCK transition is one-half the SCK period.

DTL[7:0] — Length of Delay after Transfer

When the DT bit is set in a command RAM byte, this field determines the length of the delay after a serial transfer. The following equation is used to calculate the delay:

$$\text{Delay after Transfer} = \frac{32 \times \text{DTL}[7:0]}{f_{\text{sys}}}$$

where DTL is in the range of 1 to 255.

A zero value for DTL[7:0] causes a delay-after-transfer value of $8192 \div f_{\text{sys}}$.

If DT is zero in a command RAM byte, a standard delay is inserted:

$$\text{Standard Delay after Transfer} = \frac{17}{f_{\text{sys}}}$$

Delay after transfer can be used to provide a peripheral deselect interval. A delay can also be inserted between consecutive transfers to allow serial A/D converters to complete conversion. This is controlled by the DT bit in a command RAM byte.

D.7.12 QSPI Control Register 2

SPCR2 — QSPI Control Register 2

\$YFFC1C

| | | | | | | | | | | | | | | | |
|--------|------|------|----|------------|----|---|---|---|---|---|------------|---|---|---|---|
| 15 | 14 | 13 | 12 | 11 | 10 | 9 | 8 | 7 | 6 | 5 | 4 | 3 | 2 | 1 | 0 |
| SPIFIE | WREN | WRTO | 0 | ENDQP[3:0] | | | 0 | 0 | 0 | 0 | NEWQP[3:0] | | | | |

RESET:

0 0 0 0 0 0 0 0 0 0 0 0 0 0 0

SPCR2 contains QSPI queue pointers, wraparound mode control bits, and an interrupt enable bit. SPCR2 is buffered. New SPCR2 values become effective only after completion of the current serial transfer. Rewriting NEWQP in SPCR2 causes execution to restart at the designated location. Reads of SPCR2 return the value of the register, not the buffer.

SPIFIE — SPI Finished Interrupt Enable

0 = QSPI interrupts disabled.

1 = QSPI interrupts enabled.

WREN — Wrap Enable
 0 = Wraparound mode disabled.
 1 = Wraparound mode enabled.

WRTO — Wrap To
 0 = Wrap to pointer address \$0.
 1 = Wrap to address in NEWQP.

Bit 12 — Not Implemented

ENDQP[3:0] — Ending Queue Pointer
 This field contains the last QSPI queue address.

Bits [7:4] — Not Implemented

NEWQP[3:0] — New Queue Pointer Value
 This field contains the first QSPI queue address.

D.7.13 QSPI Control Register 3

SPCR3 — QSPI Control Register **\$YFFC1E**
SPSR — QSPI Status Register **\$YFFC1F**

| | | | | | | | | | | | | | | | |
|----------|----|----|----|-------|------|------|------|------|-------|----------|------------|---|---|---|---|
| 15 | 14 | 13 | 12 | 11 | 10 | 9 | 8 | 7 | 6 | 5 | 4 | 3 | 2 | 1 | 0 |
| NOT USED | | | | LOOPQ | HMIE | HALT | SPIF | MODF | HALTA | NOT USED | CPTQP[3:0] | | | | |

RESET:
0 0 0 0 0 0 0 0 0 0 0 0 0 0 0

SPCR3 contains the loop mode enable bit, halt and mode fault interrupt enable, and the halt control bit. SPCR3 must be initialized before QSPI operation begins. Writing a new value to SPCR3 while the QSPI is enabled disrupts operation. SPSR contains information concerning the current serial transmission.

Bits [15:11] — Not Implemented

LOOPQ — QSPI Loop Mode
 0 = Feedback path disabled.
 1 = Feedback path enabled.
 LOOPQ controls feedback on the data serializer for testing.

HMIE — HALTA and MODF Interrupt Enable
 0 = HALTA and MODF interrupts disabled.
 1 = HALTA and MODF interrupts enabled.
 HMIE enables interrupt requests generated by the HALTA status flag or the MODF status flag in SPSR.

HALT — Halt QSPI
 0 = QSPI operates normally.
 1 = QSPI is halted for subsequent restart.

Freescale Semiconductor, Inc.

When HALT is set, the QSPI stops on a queue boundary. It remains in a defined state from which it can later be restarted.

SPIF — QSPI Finished Flag

0 = QSPI is not finished.

1 = QSPI is finished.

SPIF is set after execution of the command at the address in ENDQP[3:0].

MODF — Mode Fault Flag

0 = Normal operation.

1 = Another SPI node requested to become the network SPI master while the QSPI was enabled in master mode.

The QSPI asserts MODF when the QSPI is in master mode (MSTR = 1) and the \overline{SS} input pin is negated by an external driver.

HALTA — Halt Acknowledge Flag

0 = QSPI is not halted.

1 = QSPI is halted.

HALTA is set when the QSPI halts in response to setting the SPCR3 HALT bit.

Bit 4 — Not Implemented

CPTQP[3:0] — Completed Queue Pointer

CPTQP[3:0] points to the last command executed. It is updated when the current command is complete. When the first command in a queue is executing, CPTQP[3:0] contains either the reset value \$0 or a pointer to the last command completed in the previous queue.

D.7.14 Receive Data RAM

RR[0:F] — Receive Data RAM

\$YFFD00 – \$YFFD1F

Data received by the QSPI is stored in this segment. The CPU16 reads this segment to retrieve data from the QSPI. Data stored in receive RAM is right-justified. Unused bits in a receive queue entry are set to zero by the QSPI upon completion of the individual queue entry. Receive RAM data can be accessed using byte, word, or long-word addressing.

D.7.15 Transmit Data RAM

TR[0:F] — Transmit Data RAM

\$YFFD20 – \$YFFD3F

Data that is to be transmitted by the QSPI is stored in this segment. The CPU16 normally writes one word of data into this segment for each queue command to be executed. Information to be transmitted must be written to the transmit data RAM in a right-justified format. The QSPI cannot modify information in the transmit data RAM. The QSPI copies the information to its data serializer for transmission. Information remains in the transmit RAM until overwritten.

D.7.16 Command RAM

CR[0:F] — Command RAM

\$YFFD40 – \$YFFD4F

| 7 | 6 | 5 | 4 | 3 | 2 | 1 | 0 |
|-----------------|-------|----|------|------------------------|------|------|-------------------|
| CONT | BITSE | DT | DSCK | PCS3 | PCS2 | PCS1 | PCS0 ¹ |
| — | — | — | — | — | — | — | — |
| CONT | BITSE | DT | DSCK | PCS3 | PCS2 | PCS1 | PCS0 ¹ |
| COMMAND CONTROL | | | | PERIPHERAL CHIP SELECT | | | |

NOTES:

1. The PCS0 bit represents the dual-function PCS0/ \overline{SS} .

Command RAM is used by the QSPI when in master mode. The CPU16 writes one byte of control information to this segment for each QSPI command to be executed. The QSPI cannot modify information in command RAM.

Command RAM consists of 16 bytes. Each byte is divided into two fields. The peripheral chip-select field enables peripherals for transfer. The command control field provides transfer options.

A maximum of 16 commands can be in the queue. Queue execution proceeds from the address in NEWQP through the address in ENDQP (both of these fields are in SPCR2).

CONT — Continue

- 0 = Control of chip selects returned to PORTQS after transfer is complete.
- 1 = Peripheral chip selects remain asserted after transfer is complete. This allows for transfers greater than 16 bits to peripherals without deassertion of their chip-selects.

BITSE — Bits per Transfer Enable

- 0 = Eight bits
- 1 = Number of bits set in BITS field of SPCR0.

DT — Delay after Transfer

- 0 = Delay after transfer is $17 \div f_{sys}$.
- 1 = SPCR1 DTL[7:0] specifies delay after transfer.

DSCK — PCS to SCK Delay

- 0 = PCS valid to SCK delay is one-half SCK.
- 1 = SPCR1 DSCKL[6:0] specifies delay from PCS valid to SCK.

Freescale Semiconductor, Inc.

PCS[3:0] — Peripheral Chip Select

Use peripheral chip-select bits to select one or more external devices for serial data transfers. More than one peripheral chip select may be activated at a time, and more than one peripheral chip can be connected to each PCS pin, provided proper fanout is observed. PCS0 shares a pin with the slave select (\overline{SS}) signal, which initiates slave mode serial transfers. If \overline{SS} is taken low when the QSPI is in master mode, a mode fault occurs.

D.8 Multichannel Communication Interface Module (MCCI)

Table D-40 shows the MCCI address map.

Table D-40 MCCI Address Map

| Address ¹ | 15 | 8 | 7 | 0 |
|------------------------|---|--|---|---|
| \$YFFC00 | MCCI Module Configuration Register (MMCR) | | | |
| \$YFFC02 | MCCI Test Register (MTEST) | | | |
| \$YFFC04 | SCI Interrupt Level Register (ILSCI) | MCCI Interrupt Vector Register (MIVR) | | |
| \$YFFC06 | SPI Interrupt Level Register (ILSPI) | Not Used | | |
| \$YFFC08 | Not Used | MCCI Pin Assignment Register (MPAR) | | |
| \$YFFC0A | Not Used | MCCI Data Direction Register (MDDR) | | |
| \$YFFC0C | Not Used | MCCI Port Data Register (PORTMC) | | |
| \$YFFC0E | Not Used | MCCI Port Pin State Register (PORTMCP) | | |
| \$YFFC10 – \$YFFC16 | Not Used | | | |
| \$YFFC18 | SCIA Control Register 0 (SCCR0A) | | | |
| \$YFFC1A | SCIA Control Register 1 (SCCR1A) | | | |
| \$YFFC1C | SCIA Status Register (SCSRA) | | | |
| \$YFFC1E | SCIA Data Register (SCDRA) | | | |
| \$YFFC20 – \$YFFC26 | Not Used | | | |
| \$YFFC28 | SCIB Control Register 0 (SCCR0B) | | | |
| \$YFFC2A | SCIB Control Register 1 (SCCR1B) | | | |
| \$YFFC2C | SCIB Status Register (SCSRB) | | | |
| \$YFFC2E | SCIB Data Register (SCDRB) | | | |
| \$YFFC30 – \$YFFC36 | Not Used | | | |
| \$YFFC38 | SPI Control Register (SPCR) | | | |
| \$YFFC3A | Not Used | | | |
| \$YFFC3C | SPI Status Register (SPSR) | | | |
| \$YFFC3E | SPI Data Register (SPDR) | | | |

NOTES:

1. Y = M111, where M is the logic state of the module mapping (MM) bit in the SCIMCR.

D.8.1 MCCI Module Configuration Register

MMCR — MCCI Module Configuration Register **\$YFFC00**

| | | | | | | | | | | | | | | | |
|------|----------|----|----|----|----|---|------|----------|---|---|-----------|---|---|---|---|
| 15 | 14 | 13 | 12 | 11 | 10 | 9 | 8 | 7 | 6 | 5 | 4 | 3 | 2 | 1 | 0 |
| STOP | NOT USED | | | | | | SUPV | NOT USED | | | IARB[3:0] | | | | |

RESET:

| | | | | | |
|---|---|---|---|---|---|
| 0 | 1 | 0 | 0 | 0 | 0 |
|---|---|---|---|---|---|

MMCR bits enable stop mode, establish the privilege level required to access certain MCCI registers, and determine the arbitration priority of MCCI interrupt requests.

STOP — Low-Power Stop Mode Enable
 0 = MCCI clock operates normally.
 1 = MCCI clock is stopped.

When STOP is set, the MCCI enters low-power stop mode. The system clock input to the module is disabled. While STOP is set, only MMCR reads and writes are guaranteed to be valid. Only writes to other MCCI registers are guaranteed valid. The SCI receiver and transmitter must be disabled before STOP is set. To stop the SPI, set the HALT bit in SPCR3, wait until the HALTA flag is set, then set STOP.

Bits [14:8] — Not Implemented

SUPV — Supervisor/Unrestricted
 This bit has no effect because the CPU16 in the MCU operates only in supervisor mode.

Bits [6:4] — Not Implemented

IARB[3:0] — Interrupt Arbitration ID
 The IARB field is used to arbitrate between simultaneous interrupt requests of the same priority. Each module that can generate interrupt requests must be assigned a unique, non-zero IARB field value.

D.8.2 MCCI Test Register

MTEST — MCCI Test Register **\$YFFC02**
 Used for factory test only.

D.8.3 SCI Interrupt Level Register/MCCI Interrupt Vector Register

ILSCI — SCI Interrupt Level Register **\$YFFC04**

| | | | | | | | | | | | | | | | | |
|----------|----|-------------|----|----|-------------|---|---|------|---|---|---|---|---|---|---|---|
| 15 | 14 | 13 | 12 | 11 | 10 | 9 | 8 | 7 | 6 | 5 | 4 | 3 | 2 | 1 | 0 | |
| NOT USED | | ILSCIB[2:0] | | | ILSCIA[2:0] | | | MIVR | | | | | | | | |
| RESET: | | | | | | | | | | | | | | | | |
| | | 0 | 0 | 0 | 0 | 0 | 0 | 0 | 0 | 0 | 0 | 0 | 1 | 1 | 1 | 1 |

Bits [15:14] — Not Implemented

ILSCIA[2:0], ILSCIB[2:0]— Interrupt Level for SCIA, SCIB
 The values of ILSCIA[2:0] and ILSCIB[2:0] in ILSCI determine the interrupt request levels of SCIA and SCIB interrupts, respectively. Program this field to a value from \$0 (interrupts disabled) through \$7 (highest priority).

D.8.4 MCCI Interrupt Vector Register

MIVR — MCCI Interrupt Vector Register

\$YFFC05

| | | | | | | | | | | | | | | | | | |
|--------|----|----|----|----|----|-----------|---|---|---|---|---|-----------|---|---|---|--|--|
| 15 | 14 | 13 | 12 | 11 | 10 | 9 | 8 | 7 | 6 | 5 | 4 | 3 | 2 | 1 | 0 | | |
| ILSCI | | | | | | INTV[7:2] | | | | | | INTV[1:0] | | | | | |
| RESET: | | | | | | | | | | | | | | | | | |
| | | | | | | | | 0 | 0 | 0 | 0 | 1 | 1 | 1 | 1 | | |

The MIVR determines which three vectors in the exception vector table are to be used for MCCI interrupts. The SPI and both SCI interfaces have separate interrupt vectors adjacent to one another. When initializing the MCCI, program INTV[7:2] so that INTV[7:0] correspond to three of the user-defined vectors (\$40–\$FF). INTV[1:0] are determined by the serial interface causing the interrupt, and are set by the MCCI.

At reset, MIVR is initialized to \$0F, which corresponds to the uninitialized interrupt vector in the exception table.

INTV[7:2] — Interrupt Vector

INTV[7:2] are the six high-order bits of the three MCCI interrupt vectors for the MCCI, as programmed by the user.

INTV[1:0] — Interrupt Vector Source

INTV[1:0] are the two low-order bits of the three interrupt vectors for the MCCI. They are automatically set by the MCCI to indicate the source of the interrupt. Refer to **Table D-41**.

Table D-41 Interrupt Vector Sources

| INTV[1:0] | Source of Interrupt |
|-----------|---------------------|
| 00 | SCIA |
| 01 | SCIB |
| 10 | SPI |

Writes to INTV0 and INTV1 have no meaning or effect. Reads of INTV0 and INTV1 return a value of one.

D.8.5 SPI Interrupt Level Register

ILSPI — SPI Interrupt Level Register

\$YFFC06

| | | | | | | | | | | | | | | | |
|----------|----|------------|----|----|----------|---|---|----------|---|---|---|---|---|---|---|
| 15 | 14 | 13 | 12 | 11 | 10 | 9 | 8 | 7 | 6 | 5 | 4 | 3 | 2 | 1 | 0 |
| NOT USED | | ILSPI[2:0] | | | NOT USED | | | NOT USED | | | | | | | |
| RESET: | | | | | | | | | | | | | | | |
| | | | | 0 | 0 | 0 | | | | | | | | | |

The ILSPI determines the priority level of interrupts requested by the SPI.

Bits [15:14] — Not Implemented

Freescale Semiconductor, Inc.

ILSPI[2:0]— Interrupt Level for SPI

ILSPI[2:0] determine the interrupt request levels of SPI interrupts. Program this field to a value from \$0 (interrupts disabled) through \$7 (highest priority). If the interrupt-request level programmed in this field matches the interrupt-request level programmed for one of the SCI interfaces and both request an interrupt simultaneously, the SPI is given priority.

Bits [10:8] — Not Implemented

D.8.6 MCCI Pin Assignment Register

MPAR — MCCI Pin Assignment Register

\$YFFC08

| | | | | | | | | | | | | | | | |
|----------|----|----|----|----|----|---|---|---|---|---|---|------|----------|------|------|
| 15 | 14 | 13 | 12 | 11 | 10 | 9 | 8 | 7 | 6 | 5 | 4 | 3 | 2 | 1 | 0 |
| NOT USED | | | | | | | | | | | | MPA3 | NOT USED | MPA1 | MPA0 |
| RESET: | | | | | | | | | | | | | | | |
| 0 | 0 | 0 | 0 | 0 | 0 | 0 | 0 | | | | | 0 | | 0 | 0 |

The MPAR determines which of the SPI pins, with the exception of the SCK pin, are actually used by the SPI submodule, and which pins are available for general-purpose I/O. The state of SCK is determined by the SPI enable bit in SPCR1. Clearing a bit in MPAR assigns the corresponding pin to general purpose I/O; setting a bit assigns the pin to the SPI. Refer to **Table D-42**.

Table D-42 MPAR Pin Assignments

| MPAR Field | MPAR Bit | Pin Function |
|------------|----------|-----------------|
| MPA0 | 0 | PMC0 |
| | 1 | MISO |
| MPA1 | 0 | PMC1 |
| | 1 | MOSI |
| —1 | — | PMC2 SCK |
| MPA3 | 0 | PMC3 |
| | 1 | \overline{SS} |
| —1 | — | PMC4 RXDB |
| —1 | — | PMC5 TXDB |
| —1 | — | PMC6 RXDA |
| —1 | — | PMC7 TXDA |

NOTES:

1. MPA[7:4], MPA2 are not implemented.

Bits [15:8], [7:4], 2 — Not Implemented

Freescale Semiconductor, Inc.

SPI pins designated by the MPAR as general-purpose I/O are controlled only by MDDR and PORTMC. The SPI has no effect on these pins. The MPAR does not affect the operation of the SCI submodule.

D.8.7 MCCI Data Direction Register

MDDR — MCCI Data Direction Register

\$YFFC0A

| | | | | | | | | | | |
|----------|---|---|------|------|------|------|------|------|------|------|
| 15 | 8 | 7 | 6 | 5 | 4 | 3 | 2 | 1 | 0 | |
| NOT USED | | | DDR7 | DDR6 | DDR5 | DDR4 | DDR3 | DDR2 | DDR1 | DDR0 |

RESET:

0 0 0 0 0 0 0 0 0 0

MDDR determines whether pins configured for general purpose I/O are inputs or outputs. MDDR affects both SPI function and I/O function. During reset, all MCCI pins are configured as inputs. **Table D-43** shows the effect of MDDR on MCCI pin function.

Table D-43 Effect of MDDR on MCCI Pin Function

| MCCI Pin | Mode | MDDR Bit | Bit State | Pin Function |
|-------------------|--------|----------|-----------|------------------------------|
| MISO | Master | DDR0 | 0 | Serial data input to SPI |
| | | | 1 | Disables data input |
| | Slave | | 0 | Disables data output |
| | | | 1 | Serial data output from SPI |
| MOSI | Master | DDR1 | 0 | Disables data output |
| | | | 1 | Serial data output from SPI |
| | Slave | | 0 | Serial data input to SPI |
| | | | 1 | Disables data input |
| SCK ¹ | Master | DDR2 | — | Clock output from SPI |
| | Slave | | — | Clock input to SPI |
| SS | Master | DDR3 | 0 | Assertion causes mode fault |
| | | | 1 | General purpose I/O |
| | Slave | | 0 | SPI slave-select input |
| | | | 1 | Disables slave-select input |
| RXDB ² | — | DDR4 | 0 | General purpose I/O |
| | | | 1 | Serial data input to SCIB |
| TXDB ³ | — | DDR5 | 0 | General purpose I/O |
| | | | 1 | Serial data output from SCIB |
| RXDA | — | DDR6 | 0 | General purpose I/O |
| | | | 1 | Serial data input to SCIA |
| TXDA ³ | — | DDR7 | 0 | General purpose I/O |
| | | | 1 | Serial data output from SCIA |

NOTES:

1. SCK is automatically assigned to the SPI whenever the SPI is enabled (when the SPE bit in the SPCR1 is set).
2. PMC4 and PMC6 function as general purpose I/O pins when the corresponding RE bit in the SCI control register (SCCR0A or SCCR0B) is cleared.
3. PMC5 and PMC7 function as general purpose I/O pins when the corresponding TE bit in the SCI control register (SCCR0A or SCCR0B) is cleared.

D.8.8 MCCI Port Data Registers

PORTMC — MCCI Port Data Register

\$YFFC0C

PORTMCP — MCCI Port Pin State Register

\$YFFC0E

| | | | | | | | | | | | | |
|--|----------|--|---|------|------|------|------|------|------|------|------|------|
| | 15 | | 9 | 8 | 7 | 6 | 5 | 4 | 3 | 2 | 1 | 0 |
| | NOT USED | | | PMC7 | PMC6 | PMC5 | PMC5 | PMC4 | PMC3 | PMC2 | PMC1 | PMC0 |

RESET:

U U U U U U U U U

Two registers are associated with port MCCI, the MCCI general-purpose I/O port. Pins used for general-purpose I/O must be configured for that function. When using port MCCI as an output port, after configuring the pins as I/O, write the first byte to be output before writing to the MDDR. Afterwards, write to the MDDR to assign each I/O pin as either input or output. This outputs the value contained in register PORTMC for all pins defined as outputs. To output different data, write another byte to PORTMC.

Writes to PORTMC are stored in the internal data latch. If any bit of PORTMC is configured as discrete output, the value latched for that bit is driven onto the pin. Reads of PORTMC return the value of the pin only if the pin is configured as a discrete input. Otherwise, the value read is the value of the latch.

Reads of PORTMCP always return the state of the pins regardless of whether the pins are configured for input or output. Writes to PORTMCP have no effect.

D.8.9 SCI Control Register 0

SCCR0A — SCIA Control Register 0

\$YFFC18

SCCR0B — SCIB Control Register 0

\$YFFC28

| | | | | | | | | | | | | | | | |
|--|----------|----|----|------------|----|---|---|---|---|---|---|---|---|---|---|
| | 15 | 13 | 12 | 11 | 10 | 9 | 8 | 7 | 6 | 5 | 4 | 3 | 2 | 1 | 0 |
| | NOT USED | | | SCBR[12:0] | | | | | | | | | | | |

RESET:

0 0 0 0 0 0 0 0 0 0 0 0 1 0 0

SCCR0 contains the SCI baud rate selection field. Baud rate must be set before the SCI is enabled. The CPU16 can read and write SCCR0 at any time. Changing the value of SCCR0 bits during a transfer operation can disrupt the transfer.

Bits [15:13] — Not Implemented

SCBR[12:0] — SCI Baud Rate

SCI baud rate is programmed by writing a 13-bit value to this field. Writing a value of zero to SCBR disables the baud rate generator. Baud clock rate is calculated as follows:

Freescale Semiconductor, Inc.

$$\text{SCI Baud Rate} = \frac{f_{\text{sys}}}{32 \times \text{SCBR}[12:0]}$$

or

$$\text{SCBR}[12:0] = \frac{f_{\text{sys}}}{32 \times \text{SCI Baud Rate Desired}}$$

where SCBR[12:0] is in the range of 1 to 8191. Writing a value of zero to SCBR disables the baud rate generator. There are 8191 different bauds available. The baud value depends on the value for SCBR and the system clock, as used in the equation above. **Table D-44** shows possible baud rates for a 16.78 MHz system clock. The maximum baud rate with this system clock speed is 524 kbaud.

Table D-44 Examples of SCI Baud Rates

| Nominal Baud Rate | Actual Baud Rate | Percent Error | Value of SCBR |
|-------------------|------------------|---------------|---------------|
| 500,00.00 | 524,288.00 | 4.86 | 1 |
| 38,400.00 | 37,449.14 | -2.48 | 14 |
| 32,768.00 | 32,768.00 | 0.00 | 16 |
| 19,200.00 | 19,418.07 | 1.14 | 27 |
| 9,600.00 | 9,532.51 | -0.70 | 55 |
| 4,800.00 | 4,809.98 | 0.21 | 109 |
| 2,400.00 | 2,404.99 | 0.21 | 218 |
| 1,200.00 | 1,199.74 | -0.02 | 437 |
| 600.00 | 599.87 | -0.02 | 874 |
| 300.00 | 299.94 | -0.02 | 1,748 |
| 110.00 | 110.01 | 0.01 | 4,766 |
| 64.00 | 64.00 | 0.01 | 8,191 |

D.8.10 SCI Control Register 1

SCCR1A — SCIA Control Register 1

\$YFFC1A

SCCR1B — SCIB Control Register 1

\$YFFC2A

| | | | | | | | | | | | | | | | |
|----------|-------|------|-----|----|----|---|------|-----|------|-----|------|----|----|-----|-----|
| 15 | 14 | 13 | 12 | 11 | 10 | 9 | 8 | 7 | 6 | 5 | 4 | 3 | 2 | 1 | 0 |
| NOT USED | LOOPS | WOMS | ILT | PT | PE | M | WAKE | TIE | TCIE | RIE | ILIE | TE | RE | RWU | SBK |

RESET:

0 0 0 0 0 0 0 0 0 0 0 0 0 0 0 0

SCCR1 contains SCI configuration parameters, including transmitter and receiver enable bits, interrupt enable bits, and operating mode enable bits. SCCR0 can be read or written at any time. The SCI can modify the RWU bit under certain circumstances. Changing the value of SCCR1 bits during a transfer operation can disrupt the transfer.

Bit 15 — Not Implemented

LOOPS — Loop Mode

0 = Normal SCI operation, no looping, feedback path disabled.

1 = Test SCI operation, looping, feedback path enabled.

The LOOPS bit in SCCR1 controls a feedback path on the data serial shifter. When LOOPS is set, SCI transmitter output is fed back into the receive serial shifter. The TXD pin is asserted (idle line). Both transmitter and receiver must be enabled prior to entering loop mode.

WOMS — Wired-OR Mode for SCI Pins

0 = If configured as an output, TXD is a normal CMOS output.

1 = If configured as an output, TXD is an open-drain output.

ILT — Idle-Line Detect Type

0 = Short idle-line detect (start count on first one).

1 = Long idle-line detect (start count on first one after stop bit(s)).

PT — Parity Type

0 = Even parity

1 = Odd parity

PE — Parity Enable

0 = SCI parity disabled.

1 = SCI parity enabled.

M — Mode Select

0 = 10-bit SCI frame — 1 start bit, 8 data bits, 1 stop bit.

1 = 11-bit SCI frame — 1 start bit, 9 data bits, 1 stop bit.

WAKE — Wakeup by Address Mark

0 = SCI receiver awakened by idle-line detection.

1 = SCI receiver awakened by address mark (last data bit set).

TIE — Transmit Interrupt Enable

0 = SCI TDRE interrupts disabled.

1 = SCI TDRE interrupts enabled.

TCIE — Transmit Complete Interrupt Enable

0 = SCI TC interrupts disabled.

1 = SCI TC interrupts enabled.

RIE — Receiver Interrupt Enable

0 = SCI RDRF and OR interrupts disabled.

1 = SCI RDRF and OR interrupts enabled.

ILIE — Idle-Line Interrupt Enable

0 = SCI IDLE interrupts disabled.

1 = SCI IDLE interrupts enabled.

Freescale Semiconductor, Inc.

TE — Transmitter Enable

0 = SCI transmitter disabled (TXD pin can be used as I/O).

1 = SCI transmitter enabled (TXD pin dedicated to SCI transmitter).

RE — Receiver Enable

0 = SCI receiver disabled.

1 = SCI receiver enabled.

RWU — Receiver Wakeup

0 = Normal receiver operation (received data recognized).

1 = Wakeup mode enabled (received data ignored until receiver is awakened).

SBK — Send Break

0 = Normal operation

1 = Break frame(s) transmitted after completion of the current frame.

D.8.11 SCI Status Register

SCSRA — SCIA Status Register

\$YFFC1C

SCSRB — SCIB Status Register

\$YFFC2C

| | | | | | | | | | | |
|----------|------|----|------|-----|------|----|----|----|----|---|
| 15 | 9 | 8 | 7 | 6 | 5 | 4 | 3 | 2 | 1 | 0 |
| NOT USED | TDRE | TC | RDRF | RAF | IDLE | OR | NF | FE | PF | |

RESET:

1 1 0 0 0 0 0 0 0 0

SCSR contains flags that show SCI operating conditions. These flags are cleared either by SCI hardware or by a read/write sequence. The sequence consists of reading SCSR, then reading or writing SCDR.

If an internal SCI signal for setting a status bit comes after reading the asserted status bits, but before writing or reading SCDR, the newly set status bit is not cleared. SCSR must be read again with the bit set and SCDR must be read or written before the status bit is cleared.

A long-word read can consecutively access both SCSR and SCDR. This action clears receive status flag bits that were set at the time of the read, but does not clear TDRE or TC flags. Reading either byte of SCSR causes all 16 bits to be accessed, and any status bit already set in either byte is cleared on a subsequent read or write of SCDR.

Bits [15:9] — Not Implemented

TDRE — Transmit Data Register Empty

0 = Transmit data register still contains data to be sent to the transmit serial shifter.

1 = A new character can now be written to the transmit data register.

TC — Transmit Complete

0 = SCI transmitter is busy.

1 = SCI transmitter is idle.

Freescale Semiconductor, Inc.

RDRF — Receive Data Register Full

0 = Receive data register is empty or contains previously read data.

1 = Receive data register contains new data.

RAF — Receiver Active

0 = SCI receiver is idle.

1 = SCI receiver is busy.

IDLE — Idle-Line Detected

0 = SCI receiver did not detect an idle-line condition.

1 = SCI receiver detected an idle-line condition.

OR — Overrun Error

0 = Receive data register is empty and can accept data from the receive serial shifter.

1 = Receive data register is full and cannot accept data from the receive serial shifter. Any data in the shifter is lost and RDRF remains set.

NF — Noise Error

0 = No noise detected in the received data.

1 = Noise detected in the received data.

FE — Framing Error

0 = No framing error detected in the received data.

1 = Framing error or break detected in the received data.

PF — Parity Error

0 = No parity error detected in the received data.

1 = Parity error detected in the received data.

D.8.12 SCI Data Register

SCDRA — SCIA Data Register

\$YFFC1E

SCDRB — SCIB Data Register

\$YFFC2E

| | | | | | | | | | | |
|----------|---|-------|-------|-------|-------|-------|-------|-------|-------|-------|
| 15 | 9 | 8 | 7 | 6 | 5 | 4 | 3 | 2 | 1 | 0 |
| NOT USED | | R8/T8 | R7/T7 | R6/T6 | R5/T5 | R4/T4 | R3/T3 | R2/T2 | R1/T1 | R0/T0 |

RESET:

U U U U U U U U U U

SCDR consists of two data registers located at the same address. The receive data register (RDR) is a read-only register that contains data received by the SCI serial interface. Data comes into the receive serial shifter and is transferred to RDR. The transmit data register (TDR) is a write-only register that contains data to be transmitted. Data is first written to TDR, then transferred to the transmit serial shifter, where additional format bits are added before transmission. R[7:0]/T[7:0] contain either the first eight data bits received when SCDR is read, or the first eight data bits to be transmitted when SCDR is written. R8/T8 are used when the SCI is configured for nine-bit operation. When the SCI is configured for 8-bit operation, R8/T8 have no meaning or effect.

D.8.13 SPI Control Register

SPCR — SPI Control Register

\$YFFC38

| | | | | | | | | | | | | | | | |
|------|-----|------|------|------|------|------|------|-----------|---|---|---|---|---|---|---|
| 15 | 14 | 13 | 12 | 11 | 10 | 9 | 8 | 7 | 6 | 5 | 4 | 3 | 2 | 1 | 0 |
| SPIE | SPE | WOMP | MSTR | CPOL | CPHA | LSBF | SIZE | SPBR[7:0] | | | | | | | |

RESET:

0 0 0 0 0 0 0 1 0 0 0 0 0 0 1 0 0

The SPCR contains parameters for configuring the SPI. The register can be read or written at any time.

SPIE — SPI Interrupt Enable

- 0 = SPI interrupts disabled.
- 1 = SPI interrupts enabled.

SPE — SPI Enable

- 0 = SPI is disabled.
- 1 = SPI is enabled.

WOMP — Wired-OR Mode for SPI Pins

- 0 = Outputs have normal CMOS drivers.
- 1 = Pins designated for output by MDDR have open-drain drivers, regardless of whether the pins are used as SPI outputs or for general-purpose I/O, and regardless of whether the SPI is enabled.

MSTR — Master/Slave Mode Select

- 0 = SPI is a slave device.
- 1 = SPI is system master.

CPOL — Clock Polarity

- 0 = The inactive state value of SCK is logic level zero.
- 1 = The inactive state value of SCK is logic level one.

CPOL is used to determine the inactive state of the serial clock (SCK). It is used with CPHA to produce a desired clock/data relationship between master and slave devices.

CPHA — Clock Phase

- 0 = Data captured on the leading edge of SCK and changed on the trailing edge of SCK.
- 1 = Data is changed on the leading edge of SCK and captured on the trailing edge of SCK.

CPHA determines which edge of SCK causes data to change and which edge causes data to be captured. CPHA is used with CPOL to produce a desired clock/data relationship between master and slave devices.

LSBF — Least Significant Bit First

- 0 = Serial data transfer starts with LSB.
- 1 = Serial data transfer starts with MSB.

SIZE — Transfer Data Size

0 = 8-bit data transfer.

1 = 16-bit data transfer.

SPBR[7:0] — Serial Clock Baud Rate

The SPI uses a modulus counter to derive the SCK baud rate from the MCU system clock. Baud rate is selected by writing a value from 2 to 255 into SPBR[7:0].

The following expressions apply to SCK baud rate:

$$\text{SCK Baud Rate} = \frac{f_{\text{sys}}}{2 \times \text{SPBR}[7:0]}$$

or

$$\text{SPBR}[7:0] = \frac{f_{\text{sys}}}{2 \times \text{SCK Baud Rate Desired}}$$

Giving SPBR[7:0] a value of zero or one disables SCK (disable state determined by CPOL). At reset, the SCK baud rate is initialized to one-eighth of the system clock frequency.

D.8.14 SPI Status Register

SPSR — SPI Status Register

\$YFFC3C

| | | | | | | | | | | | | | | | |
|------|------|----|------|----|----|---|---|---|---|---|---|---|---|---|---|
| 15 | 14 | 13 | 12 | 11 | 10 | 9 | 8 | 7 | 6 | 5 | 4 | 3 | 2 | 1 | 0 |
| SPIF | WCOL | 0 | MODF | 0 | 0 | 0 | 0 | 0 | 0 | 0 | 0 | 0 | 0 | 0 | 0 |

RESET:

| | | | | | | | | | | | | | | | |
|---|---|---|---|---|---|---|---|---|---|---|---|---|---|---|---|
| 0 | 0 | 0 | 0 | 0 | 0 | 0 | 0 | 0 | 0 | 0 | 0 | 0 | 0 | 0 | 0 |
|---|---|---|---|---|---|---|---|---|---|---|---|---|---|---|---|

SPSR contains information concerning the current serial transmission. Only the SPI can set bits in SPSR. The CPU16 reads SPSR to obtain SPI status information and writes it to clear status flags.

SPIF — SPI Finished Flag

0 = SPI is not finished.

1 = SPI is finished.

WCOL — Write Collision

0 = No attempt to write to the SPDR happened during the serial transfer.

1 = Write collision occurred.

Clearing WCOL is accomplished by reading the SPSR while WCOL is set and then either reading the SPDR prior to SPIF being set, or reading or writing the SPDR after SPIF is set.

Freescale Semiconductor, Inc.

MODF — Mode Fault Flag

0 = Normal operation.

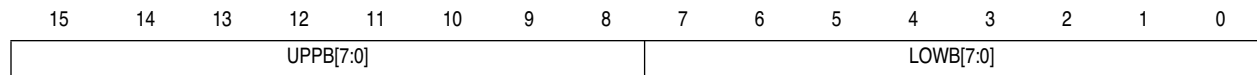
1 = Another SPI node requested to become the network SPI master while the SPI was enabled in master mode (\overline{SS} input taken low).

The SPI asserts MODF when the SPI is in master mode (MSTR = 1) and the \overline{SS} input pin is negated by an external driver.

D.8.15 SPI Data Register

SPDR — SPI Data Register

\$YFFC3E



RESET:

U U U U U U U U U U U U U U U U U

UPPB — Upper Byte

In 16-bit transfer mode, the upper byte is contains the most significant 8 bits of the transmitted or received data. Bit 15 of the SPDR is the MSB of the 16-bit data.

LOWB — Lower Byte

In 8-bit transfer mode, the lower byte contains the transmitted or received data. MSB in 8-bit transfer mode is bit 7 of the SPDR. In 16-bit transfer mode, the lower byte holds the least significant 8 bits of the data.

D.9 General-Purpose Timer (GPT)

Table D-45 shows the GPT address map.

Table D-45 GPT Address Map

| Address ¹ | 158 | 70 |
|----------------------|--|--|
| \$YFF900 | GPT Module Configuration Register (GPTMCR) | |
| \$YFF902 | GPT Module Test Register (GPTMTR) | |
| \$YFF904 | GPT Interrupt Configuration Register (ICR) | |
| \$YFFE06 | Port GP Data Direction Register (DDRGP) | Port GP Data Register (PORTGP) |
| \$YFF908 | Output Compare 1 Action Mask Register (OC1M) | Output Compare 1 Action Data Register (OC1D) |
| \$YFF90A | Timer Counter Register (TCNT) | |
| \$YFF90C | Pulse Accumulator Control Register (PACTL) | Pulse Accumulator Counter Register (PACNT) |
| \$YFF90E | Timer Input Capture Register 1 (TIC1) | |
| \$YFF910 | Timer Input Capture Register 2 (TIC2) | |
| \$YFF912 | Timer Input Capture Register 3 (TIC3) | |
| \$YFF914 | Timer Output Compare Register 1 (TOC1) | |
| \$YFF916 | Timer Output Compare Register 2 (TOC2) | |
| \$YFF918 | Timer Output Compare Register 3 (TOC3) | |
| \$YFF91A | Timer Output Compare Register 4 (TOC4) | |
| \$YFF91C | Timer Input Capture 4/Output Compare Register 5 (TI4/O5) | |
| \$YFF91E | Timer Control Register 1 (TCTL1) | Timer Control Register 2 (TCTL2) |
| \$YFF920 | Timer Mask Register 1 (TMSK1) | Timer Mask Register 2 (TMSK2) |
| \$YFF922 | Timer Flag Register 1 (TFLG1) | Timer Flag Register 2 (TFLG2) |
| \$YFF924 | Compare Force Register (CFORC) | PWM Control Register C (PWMC) |
| \$YFF926 | PWM Control Register A (PWMA) | PWM Control Register B (PWMB) |
| \$YFF928 | PWM Count Register (PWMCNT) | |
| \$YFF92A | PWM Buffer Register A (PWMBUFA) | PWM Buffer Register B (PWMBUFB) |
| \$YFF92C | GPT Prescaler Register (PRESCL) | |
| \$YFF92E – \$YFF93F | Reserved | |

NOTES:

1. Y = M111, where M is the logic state of the MM bit in the SCIMCR.

D.9.1 GPT Module Configuration Register

GPTMCR — GPT Module Configuration Register

\$YFF900

| | | | | | | | | | | | | | | | |
|------|------|------|-------|------|----|---|---|------|---|---|---|------|---|---|---|
| 15 | 14 | 13 | 12 | 11 | 10 | 9 | 8 | 7 | 6 | 5 | 4 | 3 | 2 | 1 | 0 |
| STOP | FRZ1 | FRZ0 | STOPP | INCP | 0 | 0 | 0 | SUPV | 0 | 0 | 0 | IARB | | | |

RESET:

0 0 0 0 0 0 0 0 1 0 0 0 0 0 0 0

The GPTMCR contains parameters for configuring the GPT.

STOP — Stop Clocks

- 0 = GPT clock operates normally.
- 1 = GPT clock is stopped.

FRZ1 — Not Implemented

FRZ0 — FREEZE Assertion Response

- 0 = Ignore IMB FREEZE signal.
- 1 = FREEZE the current state of the GPT.

STOPP — Stop Prescaler

- 0 = Normal operation.
- 1 = Stop prescaler and pulse accumulator from incrementing. Ignore changes to input pins.

INCP — Increment Prescaler

- 0 = Has no effect.
- 1 = If STOPP is asserted, increment prescaler once and clock input synchronizers once.

SUPV — Supervisor/Unrestricted Data Space

This bit has no effect because the CPU16 always operates in supervisor mode.

IARB[3:0] — Interrupt Arbitration ID

The IARB field is used to arbitrate between simultaneous interrupt requests of the same priority. Each module that can generate interrupt requests must be assigned a unique, non-zero IARB field value.

D.9.2 GPT Test Register

GPTMTR — GPT Module Test Register

\$YFF902

Used for factory test only.

D.9.3 GPT Interrupt Configuration Register

ICR — GPT Interrupt Configuration Register

\$YFFA904

| | | | | | | | | | | | | | | | |
|----------|----|----|----|----|----------|---|---|-----------|---|---|---|---|---|---|---|
| 15 | 14 | 13 | 12 | 11 | 10 | 9 | 8 | 7 | 6 | 5 | 4 | 3 | 2 | 1 | 0 |
| IPA[3:0] | | | | 0 | IPL[2:0] | | | IVBA[3:0] | | | 0 | 0 | 0 | 0 | |
| RESET: | | | | | | | | | | | | | | | |
| 0 | 0 | 0 | 0 | 0 | 0 | 0 | 0 | 0 | 0 | 0 | 0 | 0 | 0 | 0 | 0 |

ICR fields determine internal and external interrupt priority, and provide the upper nibble of the interrupt vector number supplied to the CPU when an interrupt is acknowledged.

IPA[3:0] — Interrupt Priority Adjust

This field specifies which GPT interrupt source is given highest internal priority. Refer to **Table D-46**.

Table D-46 GPT Interrupt Sources

| Name | Source Number | Source | Vector Number |
|---------|---------------|----------------------------------|---------------|
| — | 0000 | Adjusted Channel | IVBA : 0000 |
| IC1 | 0001 | Input Capture 1 | IVBA : 0001 |
| IC2 | 0010 | Input Capture 2 | IVBA : 0010 |
| IC3 | 0011 | Input Capture 3 | IVBA : 0011 |
| OC1 | 0100 | Output Compare 1 | IVBA : 0100 |
| OC2 | 0101 | Output Compare 2 | IVBA : 0101 |
| OC3 | 0110 | Output Compare 3 | IVBA : 0110 |
| OC4 | 0111 | Output Compare 4 | IVBA : 0111 |
| IC4/OC5 | 1000 | Input Capture 4/Output Compare 5 | IVBA : 1000 |
| TO | 1001 | Timer Overflow | IVBA : 1001 |
| PAOV | 1010 | Pulse Accumulator Overflow | IVBA : 1010 |
| PAI | 1011 | Pulse Accumulator Input | IVBA : 1011 |

IPL[2:0] — Interrupt Priority Level

This field specifies the priority level of interrupts generated by the GPT.

IVBA[3:0] — Interrupt Vector Base Address

Most significant nibble of interrupt vector numbers generated by the GPT. Refer to **Table D-46**.

D.9.4 Port GP Data Direction Register/Data Register

DDRGP/PORTGP — Port GP Data Direction Register/Port GP Data Register **\$YFFA906**

| 15 | 14 | 13 | 12 | 11 | 10 | 9 | 8 | 7 | 6 | 5 | 4 | 3 | 2 | 1 | 0 |
|------------|----|----|----|----|----|---|---|--------|---|---|---|---|---|---|---|
| DDRGP[7:0] | | | | | | | | PORTGP | | | | | | | |
| RESET: | | | | | | | | | | | | | | | |
| 0 | 0 | 0 | 0 | 0 | 0 | 0 | 0 | 0 | 0 | 0 | 0 | 0 | 0 | 0 | 0 |

When GPT pins are used as an 8-bit port, DDRGP determines whether pins are input or output and PORTGP holds the 8-bit data.

DDRGP[7:0] — Port GP Data Direction Register

0 = Input only

1 = Output

D.9.5 OC1 Action Mask Register/Data Register

OC1M/OC1D — OC1 Action Mask Register/OC1 Action Data Register **\$YFFA908**

| 15 | 14 | 13 | 12 | 11 | 10 | 9 | 8 | 7 | 6 | 5 | 4 | 3 | 2 | 1 | 0 |
|-----------|----|----|----|----|----|---|---|---|-----------|---|---|---|---|---|---|
| OC1M[5:1] | | | | | | 0 | 0 | 0 | OC1D[5:1] | | | 0 | 0 | 0 | |
| RESET: | | | | | | | | | | | | | | | |
| 0 | 0 | 0 | 0 | 0 | 0 | 0 | 0 | 0 | 0 | 0 | 0 | 0 | 0 | 0 | 0 |

Freescale Semiconductor, Inc.

All OC outputs can be controlled by the action of OC1. OC1M contains a mask that determines which pins are affected. OC1D determines what the outputs are.

OC1M[5:1] — OC1 Mask Field

OC1M[5:1] correspond to OC[5:1].

- 0 = Corresponding output compare pin is not affected by OC1 compare.
- 1 = Corresponding output compare pin is affected by OC1 compare.

OC1D[5:1] — OC1 Data Field

OC1D[5:1] correspond to OC[5:1].

- 0 = If OC1 mask bit is set, clear the corresponding output compare pin on OC1 match.
- 1 = If OC1 mask bit is set, the set corresponding output compare pin on OC1 match.

D.9.6 Timer Counter Register

TCNT — Timer Counter Register

\$YFF90A

TCNT is the 16-bit free-running counter associated with the input capture, output compare, and pulse accumulator functions of the GPT module.

D.9.7 Pulse Accumulator Control Register/Counter

PACTL/PACNT — Pulse Accumulator Control Register/Counter

\$YFF90C

| 15 | 14 | 13 | 12 | 11 | 10 | 9 | 8 | 7 | 6 | 5 | 4 | 3 | 2 | 1 | 0 |
|--------|------|-------|-------|-------|-------|------------|---|---------------------------|---|---|---|---|---|---|---|
| PAIS | PAEN | PAMOD | PEDGE | PCLKS | I4/O5 | PACLK[1:0] | | PULSE ACCUMULATOR COUNTER | | | | | | | |
| RESET: | | | | | | | | | | | | | | | |
| U | 0 | 0 | 0 | 0 | 0 | 0 | 0 | 0 | 0 | 0 | 0 | 0 | 0 | 0 | 0 |

PACTL enables the pulse accumulator and selects either event counting or gated mode. In event counting mode, PACNT is incremented each time an event occurs. In gated mode, it is incremented by an internal clock.

PAIS — PAI Pin State (Read Only)

PAEN — Pulse Accumulator Enable

- 0 = Pulse accumulator disabled.
- 1 = Pulse accumulator enabled.

PAMOD — Pulse Accumulator Mode

- 0 = External event counting.
- 1 = Gated time accumulation.

PEDGE — Pulse Accumulator Edge Control

The effects of PAMOD and PEDGE are shown in **Table D-47**.

Table D-47 PAMOD and PEDGE Effects

| PAMOD | PEDGE | Effect |
|-------|-------|-------------------------------------|
| 0 | 0 | PAI falling edge increments counter |
| 0 | 1 | PAI rising edge increments counter |
| 1 | 0 | Zero on PAI inhibits counting |
| 1 | 1 | One on PAI inhibits counting |

PCLKS — PCLK Pin State (Read Only)

I4/O5 — Input Capture 4/Output Compare 5

0 = Output compare 5 enabled

1 = Input capture 4 enabled

PACLK[1:0] — Pulse Accumulator Clock Select (Gated Mode)

Table D-48 shows the PACLK[1:0] bit field effects.

Table D-48 PACLK[1:0] Effects

| PACLK[1:0] | Pulse Accumulator Clock Selected |
|------------|-----------------------------------|
| 00 | System clock divided by 512 |
| 01 | Same clock used to increment TCNT |
| 10 | TOF flag from TCNT |
| 11 | External clock, PCLK |

PACNT — Pulse Accumulator Counter

Eight-bit read/write counter used for external event counting or gated time accumulation.

D.9.8 Input Capture Registers 1-3

TIC[1:3] — Input Capture Registers 1–3

\$YFF90E – \$YFF912

The input capture registers are 16-bit read-only registers used to latch the value of TCNT when a specified transition is detected on the corresponding input capture pin. They are reset to \$FFFF.

D.9.9 Output Compare Registers 1-4

TOC[1:4] — Output Compare Registers 1–4

\$YFF914 – \$YFF91A

The output compare registers are 16-bit read/write registers which can be used as output waveform controls or as elapsed time indicators. For output compare functions, they are written to a desired match value and compared against TCNT to control specified pin actions. They are reset to \$FFFF.

D.9.10 Input Capture 4/Output Compare 5 Register

TI4/O5 — Input Capture 4/Output Compare 5 Register

\$YFF91C

This register serves either as input capture register 4 or output compare register 5, depending on the state of I4/O5 in PACTL. It is reset to \$FFFF.

D.9.11 Timer Control Registers 1 and 2

TCTL1/TCTL2 — Timer Control Registers 1–2

\$YFF91E

| | | | | | | | | | | | | | | | |
|--------|-----|-----|-----|-----|-----|-----|-----|-------|-------|-------|-------|-------|-------|-------|-------|
| 15 | 14 | 13 | 12 | 11 | 10 | 9 | 8 | 7 | 6 | 5 | 4 | 3 | 2 | 1 | 0 |
| OM5 | OL5 | OM4 | OL4 | OM3 | OL3 | OM2 | OL2 | EDG4B | EDG4A | EDG3B | EDG3A | EDG2B | EDG2A | EDG1B | EDG1A |
| RESET: | | | | | | | | | | | | | | | |
| 0 | 0 | 0 | 0 | 0 | 0 | 0 | 0 | 0 | 0 | 0 | 0 | 0 | 0 | 0 | 0 |

TCTL1 determines output compare mode and output logic level. TCTL2 determines the type of input capture to be performed.

OM/OL[5:2] — Output Compare Mode Bits and Output Compare Level Bits

Each pair of bits specifies an action to be taken when output comparison is successful. Refer to **Table D-49**.

Table D-49 OM/OL[5:2] Effects

| OM/OL[5:2] | Action Taken |
|------------|--------------------------------------|
| 00 | Timer disconnected from output logic |
| 01 | Toggle OCx output line |
| 10 | Clear OCx output line to 0 |
| 11 | Set OCx output line to 1 |

EDGE[4:1] — Input Capture Edge Control

Each pair of bits configures input sensing logic for the corresponding input capture. Refer to **Table D-50**.

Table D-50 EDGE[4:1] Effects

| EDGE[4:1] | Configuration |
|-----------|---|
| 00 | Capture disabled |
| 01 | Capture on rising edge only |
| 10 | Capture on falling edge only |
| 11 | Capture on any (rising or falling) edge |

D.9.12 Timer Interrupt Mask Registers 1 and 2

TMSK1/TMSK2 — Timer Interrupt Mask Registers 1–2

\$YFF920

| | | | | | | | | | | | | | | | |
|--------|---------|----|----|----|---------|---|---|-----|---|-------|------|--------|----------|---|---|
| 15 | 14 | 13 | 12 | 11 | 10 | 9 | 8 | 7 | 6 | 5 | 4 | 3 | 2 | 1 | 0 |
| I4/O5I | OC[4:1] | | | | IC[3:1] | | | TOI | 0 | PAOVI | PAII | CPR0UT | CPR[2:0] | | |
| RESET: | | | | | | | | | | | | | | | |
| 0 | 0 | 0 | 0 | 0 | 0 | 0 | 0 | 0 | 0 | 0 | 0 | 0 | 0 | 0 | 0 |

Freescale Semiconductor, Inc.

TMSK1 enables OC and IC interrupts. TMSK2 controls pulse accumulator interrupts and TCNT functions.

I4/O5I — Input Capture 4/Output Compare 5 Interrupt Enable

0 = IC4/OC5 interrupt disabled.

1 = IC4/OC5 interrupt requested when I4/O5F flag in TFLG1 is set.

OCI[4:1] — Output Compare Interrupt Enable

OCI[4:1] correspond to OC[4:1].

0 = OC interrupt disabled.

1 = OC interrupt requested when OC flag set.

ICI[3:1] — Input Capture Interrupt Enable

ICI[3:1] correspond to IC[3:1].

0 = IC interrupt disabled.

1 = IC interrupt requested when IC flag set.

TOI — Timer Overflow Interrupt Enable

0 = Timer overflow interrupt disabled.

1 = Interrupt requested when TOF flag is set.

PAOVI — Pulse Accumulator Overflow Interrupt Enable

0 = Pulse accumulator overflow interrupt disabled.

1 = Interrupt requested when PAOVF flag is set.

PAII — Pulse Accumulator Input Interrupt Enable

0 = Pulse accumulator interrupt disabled.

1 = Interrupt requested when PAIF flag is set.

CPROUT — Capture/Compare Unit Clock Output Enable

0 = Normal operation for OC1 pin.

1 = TCNT clock driven out OC1 pin.

CPR[2:0] — Timer Prescaler/PCLK Select Field

This field selects one of seven prescaler taps or PCLK to be TCNT input. Refer to **Table D-51**.

Table D-51 CPR[2:0]/Prescaler Select Field

| CPR[2:0] | System Clock Divide-by Factor |
|----------|-------------------------------|
| 000 | 4 |
| 001 | 8 |
| 010 | 16 |
| 011 | 32 |
| 100 | 64 |
| 101 | 128 |
| 110 | 256 |
| 111 | PCLK |

D.9.13 Timer Interrupt Flag Registers 1 and 2

TFLG1/TFLG2 — Timer Interrupt Flag Registers 1–2 **\$YFF922**

| | | | | | | | | | | | | | | | |
|--------|----------|----|----|----|----------|---|---|-----|---|-------|------|---|---|---|---|
| 15 | 14 | 13 | 12 | 11 | 10 | 9 | 8 | 7 | 6 | 5 | 4 | 3 | 2 | 1 | 0 |
| I4/O5F | OCF[4:1] | | | | ICF[3:1] | | | TOF | 0 | PAOVF | PAIF | 0 | 0 | 0 | 0 |
| RESET: | | | | | | | | | | | | | | | |
| 0 | 0 | 0 | 0 | 0 | 0 | 0 | 0 | 0 | 0 | 0 | 0 | 0 | 0 | 0 | 0 |

These registers show condition flags that correspond to GPT events. If the corresponding interrupt enable bit in TMSK1/TMSK2 is set, an interrupt occurs.

I4/O5F — Input Capture 4/Output Compare 5 Flag

When I4/O5 in PACTL is zero, this flag is set each time TCNT matches the TOC5 value in TI4/O5. When I4/O5 in PACTL is one, the flag is set each time a selected edge is detected at the I4/O5 pin.

OCF[4:1] — Output Compare Flags

An output compare flag is set each time TCNT matches the corresponding TOC register. OCF[4:1] correspond to OC[4:1].

ICF[3:1] — Input Capture Flags

A flag is set each time a selected edge is detected at the corresponding input capture pin. ICF[3:1] correspond to IC[3:1].

TOF — Timer Overflow Flag

This flag is set each time TCNT advances from a value of \$FFFF to \$0000.

PAOVF — Pulse Accumulator Overflow Flag

This flag is set each time the pulse accumulator counter advances from a value of \$FF to \$00.

PAIF — Pulse Accumulator Flag

In event counting mode, this flag is set when an active edge is detected on the PAI pin. In gated time accumulation mode, it is set at the end of the timed period.

D.9.14 Compare Force Register/PWM Control Register C

CFORC — Compare Force Register/PWM Control Register **\$YFF924**

| | | | | | | | | | | | |
|--------|----|----|-------|-------|--------|-----|---|-----|-----|-----|-----|
| 15 | 11 | 10 | 9 | 8 | 7 | 6 | 4 | 3 | 2 | 1 | 0 |
| FOC | | 0 | FPWMA | FPWMB | PPROUT | PPR | | SFA | SFB | F1A | F1B |
| RESET: | | | | | | | | | | | |
| 0 | 0 | 0 | 0 | 0 | 0 | 0 | 0 | 0 | 0 | 0 | 0 |

Setting a bit in CFORC causes a specific output on OC or PWM pins. PWMC sets PWM operating conditions.

FOC[5:1] — Force Output Compare

FOC[5:1] correspond to OC[5:1].

0 = Has no effect.

1 = Causes pin action programmed for corresponding OC pin, but the OC flag is not set. FOC[5:1] correspond to OC[5:1].

FPWMA/B — Force PWM Value

0 = PWM pin A/B is used for PWM functions; normal operation.

1 = PWM pin A/B is used for discrete output. The value of the F1A/B bit will be driven out on the PWMA/B pin. This is true for PWMA regardless of the state of the PPROUT bit.

PPROUT — PWM Clock Output Enable

0 = Normal PWM operation on PWMA.

1 = Clock selected by PPR[2:0] is driven out PWMA pin.

PPR[2:0] — PWM Prescaler/PCLK Select

This field selects one of seven prescaler taps or PCLK to be PWMCNT input. Refer to **Table D-52**.

Table D-52 PPR[2:0] Field

| PPR[2:0] | System Clock Divide-by Factor |
|----------|-------------------------------|
| 000 | 2 |
| 001 | 4 |
| 010 | 8 |
| 011 | 16 |
| 100 | 32 |
| 101 | 64 |
| 110 | 128 |
| 111 | PCLK |

SFA — PWMA Slow/Fast Select

0 = PWMA period is 256 PWMCNT increments long.

1 = PWMA period is 32768 PWMCNT increments long.

SFB — PWMB Slow/Fast Select

0 = PWMB period is 256 PWMCNT increments long.

1 = PWMB period is 32768 PWMCNT increments long.

Table D-53 shows a range of PWM output frequencies using a 16.78 MHz system clock.

Table D–53 PWM Frequency Range Using a 16.78 MHz System Clock

| PPR[2:0] | Prescaler Tap | SFA/B = 0 | SFA/B = 1 |
|----------|-------------------|-----------|------------|
| 000 | Div 2 = 8.39 MHz | 32.8 kHz | 256 Hz |
| 001 | Div 4 = 4.19 MHz | 16.4 kHz | 128 Hz |
| 010 | Div 8 = 2.10 MHz | 8.19 kHz | 64.0 Hz |
| 011 | Div 16 = 1.05 MHz | 4.09 kHz | 32.0 Hz |
| 100 | Div 32 = 524 kHz | 2.05 kHz | 16.0 Hz |
| 101 | Div 64 = 262 kHz | 1.02 kHz | 8.0 Hz |
| 110 | Div 128 = 131 kHz | 512 Hz | 4.0 Hz |
| 111 | PCLK | PCLK/256 | PCLK/32768 |

F1A/B — Force Logic Level One on PWMA/B
 0 = Force logic level zero output on PWMA/B pin.
 1 = Force logic level one output on PWMA/B pin.

D.9.15 PWM Registers A/B

PWMA — PWM Register A **\$YFF926**
PWMB — PWM Register B **\$YFF927**

The value in these registers determines pulse width of the corresponding PWM output. A value of \$00 corresponds to continuously low output; a value of \$80 to 50% duty cycle. Maximum value (\$FF) selects an output that is high for 255/256 of the period. Writes to these registers are buffered by PWMBUFA and PWMBUFB.

D.9.16 PWM Count Register

PWMCNT — PWM Count Register **\$YFF928**
 PWMCNT is the 16-bit free-running counter used for GPT PWM functions.

D.9.17 PWM Buffer Registers A/B

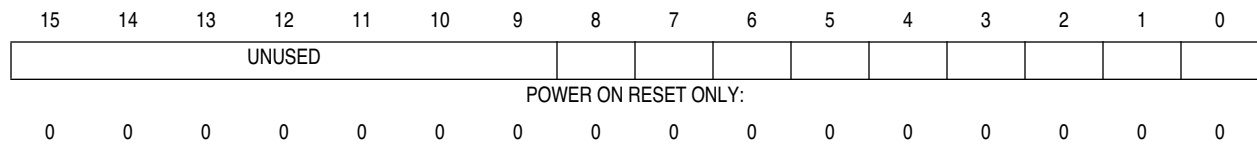
PWMBUFA — PWM Buffer Register A **\$YFF92A**
PWMBUFB — PWM Buffer Register B **\$YFF92B**

To prevent glitches when PWM duty cycle is changed, the contents of PWMA and PWMB are transferred to these read-only registers at the end of each duty cycle. Reset state is \$0000.

D.9.18 GPT Prescaler

PRESCL — GPT Prescaler

\$YFF92C



The 9-bit prescaler value can be read from bits [8:0] at this address. Bits [15:9] always read as zeros. Reset state is \$0000.

Freescale Semiconductor, Inc.

D.10 Time Processor Unit 2 (TPU2)

Table D-54 shows the TPU2 address map.

Table D-54 TPU2 Register Map

| Address ¹ | 15 | 0 |
|----------------------|----|---|
| \$YFFE00 | | TPU2 Module Configuration Register (TPUMCR) |
| \$YFFE02 | | TPU2 Test Configuration Register (TCR) |
| \$YFFE04 | | Development Support Control Register (DSCR) |
| \$YFFE06 | | Development Support Status Register (DSSR) |
| \$YFFE08 | | TPU2 Interrupt Configuration Register (TICR) |
| \$YFFE0A | | Channel Interrupt Enable Register (CIER) |
| \$YFFE0C | | Channel Function Selection Register 0 (CFSR0) |
| \$YFFE0E | | Channel Function Selection Register 1 (CFSR1) |
| \$YFFE10 | | Channel Function Selection Register 2 (CFSR2) |
| \$YFFE12 | | Channel Function Selection Register 3 (CFSR3) |
| \$YFFE14 | | Host Sequence Register 0 (HSQR0) |
| \$YFFE16 | | Host Sequence Register 1 (HSQR1) |
| \$YFFE18 | | Host Service Request Register 0 (HSRR0) |
| \$YFFE1A | | Host Service Request Register 1 (HSRR1) |
| \$YFFE1C | | Channel Priority Register 0 (CPR0) |
| \$YFFE1E | | Channel Priority Register 1 (CPR1) |
| \$YFFE20 | | Channel Interrupt Status Register (CISR) |
| \$YFFE22 | | Link Register (LR) |
| \$YFFE24 | | Service Grant Latch Register (SGLR) |
| \$YFFE26 | | Decoded Channel Number Register (DCNR) |
| \$YFFE28 | | TPU Module Configuration Register 2 (TPUMCR2) |
| \$YFFF00 – \$YFFF0E | | Channel 0 Parameter Registers |
| \$YFFF10 – \$YFFF1E | | Channel 1 Parameter Registers |
| \$YFFF20 – \$YFFF2E | | Channel 2 Parameter Registers |
| \$YFFF30 – \$YFFF3E | | Channel 3 Parameter Registers |
| \$YFFF40 – \$YFFF4E | | Channel 4 Parameter Registers |
| \$YFFF50 – \$YFFF5E | | Channel 5 Parameter Registers |
| \$YFFF60 – \$YFFF6E | | Channel 6 Parameter Registers |
| \$YFFF70 – \$YFFF7E | | Channel 7 Parameter Registers |
| \$YFFF80 – \$YFFF8E | | Channel 8 Parameter Registers |
| \$YFFF90 – \$YFFF9E | | Channel 9 Parameter Registers |
| \$YFFFA0 – \$YFFFAE | | Channel 10 Parameter Registers |

Table D-54 TPU2 Register Map

| Address ¹ | 15 | 0 |
|----------------------|----|--------------------------------|
| \$YFFF00 – \$YFFF0F | | Channel 11 Parameter Registers |
| \$YFFF10 – \$YFFF1F | | Channel 12 Parameter Registers |
| \$YFFF20 – \$YFFF2F | | Channel 13 Parameter Registers |
| \$YFFF30 – \$YFFF3F | | Channel 14 Parameter Registers |
| \$YFFF40 – \$YFFF4F | | Channel 15 Parameter Registers |

NOTES:

1. Y = M111, where M represents the logic state of the module mapping (MM) bit in the SCIMCR.

D.10.1 TPU2 Module Configuration Register

TPUMCR — TPU2 Module Configuration Register **\$YFFE00**

| 15 | 14 | 13 | 12 | 11 | 10 | 9 | 8 | 7 | 6 | 5 | 4 | 3 | 2 | 1 | 0 |
|--------|------------|----|------------|----|-----|------|-----|------|------|------|-------|-----------|---|---|---|
| STOP | TCR1P[1:0] | | TCR2P[1:0] | | EMU | T2CG | STF | SUPV | PSCK | TPU2 | T2CSL | IARB[3:0] | | | |
| RESET: | | | | | | | | | | | | | | | |
| 0 | 0 | 0 | 0 | 0 | 0 | 0 | 0 | 0 | 1 | 0 | 1 | 0 | 0 | 0 | 0 |

STOP — Low-Power Stop Mode Enable

- 0 = Enable TPU2 clocks.
- 1 = Disable TPU2 clocks.

TCR1P[1:0] — Timer Count Register 1 Prescaler Control

TCR1 is clocked from the output of a prescaler. The prescaler's input is the internal TPU system clock divided by 2, 4, or 32, depending on the value of the PSCK bit and the DIV2 bit. If the DIV2 bit is one, the TCR1 counter increments at a rate of the internal clock divided by two. If DIV2 is zero, TCR1 increment rate is defined by the values in **Table D-55**. The prescaler divides this input by 1, 2, 4, or 8. Channels using TCR1 have the capability to resolve down to the TPU system clock divided by four.

Table D-55 TCR1 Prescaler Control Bits

| TCR1P[1:0] | Prescaler Divide By | TCR1 Clock Input | |
|------------|---------------------|--------------------|-------------------|
| | | PSCK = 0 | PSCK = 1 |
| 00 | 1 | $f_{sys} \div 32$ | $f_{sys} \div 4$ |
| 01 | 2 | $f_{sys} \div 64$ | $f_{sys} \div 8$ |
| 10 | 4 | $f_{sys} \div 128$ | $f_{sys} \div 16$ |
| 11 | 8 | $f_{sys} \div 256$ | $f_{sys} \div 32$ |

TCR2P[1:0] — Timer Count Register 2 Prescaler Control

TCR2 is clocked from the output of a prescaler. If T2CG = 0, the input to the TCR2 prescaler is the external TCR2 clock source. If T2CG = 1, the input is the TPU system clock divided by eight. The TCR2P field specifies the value of the prescaler: 1, 2, 4, or 8. Channels using TCR2 have the capability to resolve down to the TPU system clock divided by eight. **Table D-56** is a summary of prescaler output.

Freescale Semiconductor, Inc.

Table D-56 TCR2 Prescaler Control Bits

| TCR2P[1:0] | Prescaler Divide By | Internal Clock Divided By | External Clock Divided By |
|------------|---------------------|---------------------------|---------------------------|
| 00 | 1 | 8 | 1 |
| 01 | 2 | 16 | 2 |
| 10 | 4 | 32 | 4 |
| 11 | 8 | 64 | 8 |

EMU — Emulation Control

In emulation mode, the TPU2 executes microinstructions from TPUFLASH exclusively. Access to the TPUFLASH via the IMB is blocked, and the TPUFLASH is dedicated for use by the TPU2. After reset, this bit can be written only once.

0 = TPU2 and TPUFLASH operate normally.

1 = TPU2 and TPUFLASH operate in emulation mode.

When the TPU2 module is used with a flash EEPROM, the shadow bit for bit 4 of the flash EEPROM module configuration register (FEEMCR) for the 4-Kbyte flash block must be set to clear the EMU bit out of reset. If the shadow bit for bit 4 of the FEEMCR for the 4-Kbyte flash block is clear, the EMU bit is set out of reset.

T2CG — TCR2 Clock/Gate Control

When T2CG is set, the external TCR2 pin functions as a gate of the DIV8 clock (the TPU system clock divided by eight). In this case, when the external TCR2 pin is low, the DIV8 clock is blocked, preventing it from incrementing TCR2. When the external TCR2 pin is high, TCR2 is incremented at the frequency of the DIV8 clock. When T2CG is cleared, an external clock input from the TCR2 pin, which has been synchronized and fed through a digital filter, increments TCR2.

0 = TCR2 pin used as clock source for TCR2.

1 = TCR2 pin used as gate of DIV8 clock for TCR2.

STF — Stop Flag

0 = TPU2 is operating.

1 = TPU2 is stopped (STOP bit has been set).

SUPV — Supervisor/Unrestricted

This bit has no effect because the CPU16 always operates in the supervisor mode.

PSCK — Prescaler Clock

0 = $f_{\text{sys}} \div 32$ is input to TCR1 prescaler.

1 = $f_{\text{sys}} \div 4$ is input to TCR1 prescaler.

TPU2 — TPU2 Enable

The TPU2 enable bit provides compatibility with the TPU. If running TPU code on the TPU2, the microcode size should not be greater than two Kbytes and the TPU2 enable bit should be cleared to zero. The TPU2 enable bit is write-once after reset. The reset value is one, meaning that the TPU2 will operate in TPU2 mode.

0 = TPU mode; zero is the TPU reset value.

1 = TPU2 mode; one is the TPU2 reset value.

NOTE

The programmer should not change this value unless necessary when developing custom TPU microcode.

T2CSL — TCR2 Counter Clock Edge

This bit and the T2CG control bit determine the clock source for TCR2. Refer to **Table 14-6**.

Table 14-6 TCR2 Counter Clock Source

| T2CSL | T2CG | TCR2 Clock |
|-------|------|------------------------------|
| 0 | 0 | Rise transition T2CLK |
| 0 | 1 | Gated system clock |
| 1 | 0 | Fall transition T2CLK |
| 1 | 1 | Rise & fall transition T2CLK |

IARB[3:0] — Interrupt Arbitration ID

The IARB field is used to arbitrate between simultaneous interrupt requests of the same priority. Each module that can generate interrupt requests must be assigned a unique, non-zero IARB field value.

D.10.2 TPU2 Test Configuration Register

TCR — TPU2 Test Configuration Register

\$YFFE02

Used for factory test only.

D.10.3 Development Support Control Register

DSCR — Development Support Control Register

\$YFFE04

| 15 | 14 | 13 | 12 | 11 | 10 | 9 | 8 | 7 | 6 | 5 | 4 | 3 | 2 | 1 | 0 |
|--------|----------|----|----|----|-----|------|----------|---|-----|----|----|----|----|----|----|
| HOT4 | NOT USED | | | | BLC | CLKS | FRZ[1:0] | | CCL | BP | BC | BH | BL | BM | BT |
| RESET: | | | | | | | | | | | | | | | |
| 0 | | | | | 0 | 0 | 0 | 0 | 0 | 0 | 0 | 0 | 0 | 0 | 0 |

HOT4 — Hang on T4

0 = Exit wait on T4 state caused by assertion of HOT4.

1 = Enter wait on T4 state.

BLC — Branch Latch Control

0 = Latch conditions into branch condition register before exiting halted state.

1 = Do not latch conditions into branch condition register before exiting the halted state or during the time-slot transition period.

CLKS — Stop Clocks (to TCRs)

0 = Do not stop TCRs.

1 = Stop TCRs during the halted state.

FRZ[1:0] — FREEZE Assertion Response

The FRZ bits specify the TPU2 microengine response to the IMB FREEZE signal. Refer to **Table D-57**.

Table D-57 FRZ[1:0] Encoding

| FRZ[1:0] | TPU2 Response |
|----------|-------------------------------------|
| 00 | Ignore freeze |
| 01 | Reserved |
| 10 | Freeze at end of current microcycle |
| 11 | Freeze at next time-slot boundary |

CCL — Channel Conditions Latch

CCL controls the latching of channel conditions (MRL and TDL) when the CHAN register is written.

0 = Only the pin state condition of the new channel is latched as a result of the write CHAN register microinstruction.

1 = Pin state, MRL, and TDL conditions of the new channel are latched as a result of a write CHAN register microinstruction.

BP, BC, BH, BL, BM, and BT — Breakpoint Enable Bits

These bits are TPU2 breakpoint enables. Setting a bit enables a breakpoint condition.

Table D-58 shows the different breakpoint enable bits.

Table D-58 Breakpoint Enable Bits

| Enable Bit | Function |
|------------|---|
| BP | Break if μ PC equals μ PC breakpoint register |
| BC | Break if CHAN register equals channel breakpoint register at beginning of state or when CHAN is changed through microcode |
| BH | Break if host service latch is asserted at beginning of state |
| BL | Break if link service latch is asserted at beginning of state |
| BM | Break if MRL is asserted at beginning of state |
| BT | Break if TDL is asserted at beginning of state |

D.10.4 Development Support Status Register

DSSR — Development Support Status Register

\$YFFE06

| | | | | | | | | | | | | | | | |
|----|----|----|----|----|----|---|---|------|------|------|------|------|---|---|---|
| 15 | 14 | 13 | 12 | 11 | 10 | 9 | 8 | 7 | 6 | 5 | 4 | 3 | 2 | 1 | 0 |
| 0 | 0 | 0 | 0 | 0 | 0 | 0 | 0 | BKPT | PCBK | CHBK | SRBK | TPUF | 0 | 0 | 0 |

RESET:

| | | | | | | | | | | | | | | | |
|---|---|---|---|---|---|---|---|---|---|---|---|---|---|---|---|
| 0 | 0 | 0 | 0 | 0 | 0 | 0 | 0 | 0 | 0 | 0 | 0 | 0 | 0 | 0 | 0 |
|---|---|---|---|---|---|---|---|---|---|---|---|---|---|---|---|

BKPT — Breakpoint Asserted Flag

If an internal breakpoint caused the TPU2 to enter the halted state, the TPU2 asserts the $\overline{\text{BKPT}}$ signal on the IMB and sets the BKPT flag. BKPT remains set until the TPU2 recognizes a breakpoint acknowledge cycle, or until the IMB FREEZE signal is asserted.

PCBK — μ PC Breakpoint Flag

PCBK is asserted if a breakpoint occurs because of a μ PC (microprogram counter) register match with the μ PC breakpoint register. PCBK is negated when the BKPT flag is cleared.

CHBK — Channel Register Breakpoint Flag

CHBK is asserted if a breakpoint occurs because of a CHAN register match with the CHAN register breakpoint register. CHBK is negated when the BKPT flag is cleared.

SRBK — Service Request Breakpoint Flag

SRBK is asserted if a breakpoint occurs because of any of the service request latches being asserted along with their corresponding enable flag in the development support control register. SRBK is negated when the BKPT flag is cleared.

TPUF — TPU2 FREEZE Flag

TPUF is set whenever the TPU2 is in a halted state as a result of FREEZE being asserted. This flag is automatically negated when the TPU2 exits the halted state because of FREEZE being negated.

D.10.5 TPU2 Interrupt Configuration Register

TICR — TPU2 Interrupt Configuration Register

\$YFFE08

| | | | | | | | | | |
|----------|-----------|-----------|----------|---|---|---|---|---|---|
| 15 | 10 | 9 | 8 | 7 | 6 | 5 | 4 | 3 | 0 |
| NOT USED | CIRL[2:0] | CIBV[3:0] | NOT USED | | | | | | |
| RESET: | | | | | | | | | |
| | 0 | 0 | 0 | 0 | 0 | 0 | 0 | 0 | |

CIRL[2:0] — Channel Interrupt Request Level

This three-bit field specifies the interrupt request level for all channels. Level seven for this field indicates a non-maskable interrupt; level zero indicates that all channel interrupts are disabled.

CIBV[3:0] — Channel Interrupt Base Vector

The TPU2 is assigned 16 unique interrupt vector numbers, one vector number for each channel. The CIBV field specifies the most significant nibble of all 16 TPU2 channel interrupt vector numbers. The lower nibble of the TPU2 interrupt vector number is determined by the channel number on which the interrupt occurs.

D.10.6 Channel Interrupt Enable Register

CIER — Channel Interrupt Enable Register

\$YFFE0A

| | | | | | | | | | | | | | | | |
|--------|-------|-------|-------|-------|-------|------|------|------|------|------|------|------|------|------|------|
| 15 | 14 | 13 | 12 | 11 | 10 | 9 | 8 | 7 | 6 | 5 | 4 | 3 | 2 | 1 | 0 |
| CH 15 | CH 14 | CH 13 | CH 12 | CH 11 | CH 10 | CH 9 | CH 8 | CH 7 | CH 6 | CH 5 | CH 4 | CH 3 | CH 2 | CH 1 | CH 0 |
| RESET: | | | | | | | | | | | | | | | |
| | 0 | 0 | 0 | 0 | 0 | 0 | 0 | 0 | 0 | 0 | 0 | 0 | 0 | 0 | 0 |

CH[15:0] — Channel Interrupt Enable/Disable

0 = Channel interrupts disabled

1 = Channel interrupts enabled

D.10.7 Channel Function Select Registers

CFSR0 — Channel Function Select Register 0

\$YFFE0C

| | | | | | | | | | | | | | | | |
|------------|----|----|----|------------|----|---|---|------------|---|---|---|------------|---|---|---|
| 15 | 14 | 13 | 12 | 11 | 10 | 9 | 8 | 7 | 6 | 5 | 4 | 3 | 2 | 1 | 0 |
| CHANNEL 15 | | | | CHANNEL 14 | | | | CHANNEL 13 | | | | CHANNEL 12 | | | |
| RESET: | | | | | | | | | | | | | | | |
| 0 | 0 | 0 | 0 | 0 | 0 | 0 | 0 | 0 | 0 | 0 | 0 | 0 | 0 | 0 | 0 |

CFSR1 — Channel Function Select Register 1

\$YFFE0E

| | | | | | | | | | | | | | | | |
|------------|----|----|----|------------|----|---|---|-----------|---|---|---|-----------|---|---|---|
| 15 | 14 | 13 | 12 | 11 | 10 | 9 | 8 | 7 | 6 | 5 | 4 | 3 | 2 | 1 | 0 |
| CHANNEL 11 | | | | CHANNEL 10 | | | | CHANNEL 9 | | | | CHANNEL 8 | | | |
| RESET: | | | | | | | | | | | | | | | |
| 0 | 0 | 0 | 0 | 0 | 0 | 0 | 0 | 0 | 0 | 0 | 0 | 0 | 0 | 0 | 0 |

CFSR2 — Channel Function Select Register 2

\$YFFE10

| | | | | | | | | | | | | | | | |
|-----------|----|----|----|-----------|----|---|---|-----------|---|---|---|-----------|---|---|---|
| 15 | 14 | 13 | 12 | 11 | 10 | 9 | 8 | 7 | 6 | 5 | 4 | 3 | 2 | 1 | 0 |
| CHANNEL 7 | | | | CHANNEL 6 | | | | CHANNEL 5 | | | | CHANNEL 4 | | | |
| RESET: | | | | | | | | | | | | | | | |
| 0 | 0 | 0 | 0 | 0 | 0 | 0 | 0 | 0 | 0 | 0 | 0 | 0 | 0 | 0 | 0 |

CFSR3 — Channel Function Select Register 3

\$YFFE12

| | | | | | | | | | | | | | | | |
|-----------|----|----|----|-----------|----|---|---|-----------|---|---|---|-----------|---|---|---|
| 15 | 14 | 13 | 12 | 11 | 10 | 9 | 8 | 7 | 6 | 5 | 4 | 3 | 2 | 1 | 0 |
| CHANNEL 3 | | | | CHANNEL 2 | | | | CHANNEL 1 | | | | CHANNEL 0 | | | |
| RESET: | | | | | | | | | | | | | | | |
| 0 | 0 | 0 | 0 | 0 | 0 | 0 | 0 | 0 | 0 | 0 | 0 | 0 | 0 | 0 | 0 |

CHANNEL[15:0] — Encoded Time Function for each Channel

Encoded four-bit fields in the channel function select registers specify one of 16 time functions to be executed on the corresponding channel.

D.10.8 Host Sequence Registers

HSQR0 — Host Sequence Register 0

\$YFFE14

| | | | | | | | | | | | | | | | |
|--------|----|-------|----|-------|----|-------|---|-------|---|-------|---|------|---|------|---|
| 15 | 14 | 13 | 12 | 11 | 10 | 9 | 8 | 7 | 6 | 5 | 4 | 3 | 2 | 1 | 0 |
| CH 15 | | CH 14 | | CH 13 | | CH 12 | | CH 11 | | CH 10 | | CH 9 | | CH 8 | |
| RESET: | | | | | | | | | | | | | | | |
| 0 | 0 | 0 | 0 | 0 | 0 | 0 | 0 | 0 | 0 | 0 | 0 | 0 | 0 | 0 | 0 |

HSQR1 — Host Sequence Register 1

\$YFFE16

| | | | | | | | | | | | | | | | |
|--------|----|------|----|------|----|------|---|------|---|------|---|------|---|------|---|
| 15 | 14 | 13 | 12 | 11 | 10 | 9 | 8 | 7 | 6 | 5 | 4 | 3 | 2 | 1 | 0 |
| CH 7 | | CH 6 | | CH 5 | | CH 4 | | CH 3 | | CH 2 | | CH 1 | | CH 0 | |
| RESET: | | | | | | | | | | | | | | | |
| 0 | 0 | 0 | 0 | 0 | 0 | 0 | 0 | 0 | 0 | 0 | 0 | 0 | 0 | 0 | 0 |

CH[15:0] — Encoded Host Sequence

The host sequence field selects the mode of operation for the time function selected on a given channel. The meaning of the host sequence bits depends on the time function specified.

D.10.9 Host Service Request Registers

HSSR0 — Host Service Request Register 0 \$YFFE18

| | | | | | | | | | | | | | | | |
|--------|-------|-------|-------|-------|-------|------|------|---|---|---|---|---|---|---|---|
| 15 | 14 | 13 | 12 | 11 | 10 | 9 | 8 | 7 | 6 | 5 | 4 | 3 | 2 | 1 | 0 |
| CH 15 | CH 14 | CH 13 | CH 12 | CH 11 | CH 10 | CH 9 | CH 8 | | | | | | | | |
| RESET: | | | | | | | | | | | | | | | |
| 0 | 0 | 0 | 0 | 0 | 0 | 0 | 0 | 0 | 0 | 0 | 0 | 0 | 0 | 0 | 0 |

HSSR1 — Host Service Request Register 1 \$YFFE1A

| | | | | | | | | | | | | | | | |
|--------|------|------|------|------|------|------|------|---|---|---|---|---|---|---|---|
| 15 | 14 | 13 | 12 | 11 | 10 | 9 | 8 | 7 | 6 | 5 | 4 | 3 | 2 | 1 | 0 |
| CH 7 | CH 6 | CH 5 | CH 4 | CH 3 | CH 2 | CH 1 | CH 0 | | | | | | | | |
| RESET: | | | | | | | | | | | | | | | |
| 0 | 0 | 0 | 0 | 0 | 0 | 0 | 0 | 0 | 0 | 0 | 0 | 0 | 0 | 0 | 0 |

CH[15:0] — Encoded Type of Host Service

The host service request field selects the type of host service request for the time function selected on a given channel. The meaning of the host service request bits depends on the time function specified.

A host service request field cleared to %00 signals the host that service is completed by the microengine on that channel. The host can request service on a channel by writing the corresponding host service request field to one of three non-zero states. The CPU16 should monitor the host service request register until the TPU2 clears the service request to %00 before any parameters are changed or a new service request is issued to the channel.

D.10.10 Channel Priority Registers

CPR0 — Channel Priority Register 0 \$YFFE1C

| | | | | | | | | | | | | | | | |
|--------|-------|-------|-------|-------|-------|------|------|---|---|---|---|---|---|---|---|
| 15 | 14 | 13 | 12 | 11 | 10 | 9 | 8 | 7 | 6 | 5 | 4 | 3 | 2 | 1 | 0 |
| CH 15 | CH 14 | CH 13 | CH 12 | CH 11 | CH 10 | CH 9 | CH 8 | | | | | | | | |
| RESET: | | | | | | | | | | | | | | | |
| 0 | 0 | 0 | 0 | 0 | 0 | 0 | 0 | 0 | 0 | 0 | 0 | 0 | 0 | 0 | 0 |

CPR1 — Channel Priority Register 1 \$YFFE1E

| | | | | | | | | | | | | | | | |
|--------|------|------|------|------|------|------|------|---|---|---|---|---|---|---|---|
| 15 | 14 | 13 | 12 | 11 | 10 | 9 | 8 | 7 | 6 | 5 | 4 | 3 | 2 | 1 | 0 |
| CH 7 | CH 6 | CH 5 | CH 4 | CH 3 | CH 2 | CH 1 | CH 0 | | | | | | | | |
| RESET: | | | | | | | | | | | | | | | |
| 0 | 0 | 0 | 0 | 0 | 0 | 0 | 0 | 0 | 0 | 0 | 0 | 0 | 0 | 0 | 0 |

CH[15:0] — Encoded Channel Priority Levels

Table D-59 shows channel priority levels.

Table D-59 Channel Priorities

| CHx[1:0] | Service | Guaranteed Time Slots |
|----------|----------|-----------------------|
| 00 | Disabled | — |
| 01 | Low | 1 out of 7 |
| 10 | Middle | 2 out of 7 |
| 11 | High | 4 out of 7 |

D.10.11 Channel Interrupt Status Register

CISR — Channel Interrupt Status Register **\$YFFE20**

| 15 | 14 | 13 | 12 | 11 | 10 | 9 | 8 | 7 | 6 | 5 | 4 | 3 | 2 | 1 | 0 |
|--------|-------|-------|-------|-------|-------|------|------|------|------|------|------|------|------|------|------|
| CH 15 | CH 14 | CH 13 | CH 12 | CH 11 | CH 10 | CH 9 | CH 8 | CH 7 | CH 6 | CH 5 | CH 4 | CH 3 | CH 2 | CH 1 | CH 0 |
| RESET: | | | | | | | | | | | | | | | |
| 0 | 0 | 0 | 0 | 0 | 0 | 0 | 0 | 0 | 0 | 0 | 0 | 0 | 0 | 0 | 0 |

CH[15:0] — Channel Interrupt Status
 0 = Channel interrupt not asserted.
 1 = Channel interrupt asserted.

D.10.12 Link Register

LR — Link Register **\$YFFE22**

Used for factory test only.

D.10.13 Service Grant Latch Register

SGLR — Service Grant Latch Register **\$YFFE24**

Used for factory test only.

D.10.14 Decoded Channel Number Register

DCNR — Decoded Channel Number Register **\$YFFE26**

Used for factory test only.

D.10.15 TPUMCR2 Module Configuration Register 2

TPUMCR2 — TPU Module Configuration Register 2 **\$YFFE28**

| 15 | 14 | 13 | 12 | 11 | 10 | 9 | 8 | 7 | 6 | 5 | 4 | 3 | 2 | 1 | 0 |
|--------|----|----|----|----|----|---|------|----------|-------------|------------|---|------|------|---|---|
| 0 | 0 | 0 | 0 | 0 | 0 | 0 | DIV2 | SOFT RST | ETBANK[1:0] | FPSCK[2:0] | | T2CF | DTPU | | |
| RESET: | | | | | | | | | | | | | | | |
| 0 | 0 | 0 | 0 | 0 | 0 | 0 | 0 | 0 | 0 | 0 | 0 | 0 | 0 | 0 | 0 |

DIV2 — Divide by 2 Control

When asserted, the DIV2 bit, along with the TCR1P bit and the PSCK bit in the TPUMCR, determines the rate of the TCR1 counter in the TPU2. If set, the TCR1 counter increments at a rate of two system clocks. If negated, TCR1 increments at the rate determined by control bits in the TCR1P and PSCK fields.

0 = TCR1 increments at rate determined by control bits in the TCR1P and PSCK fields of the TPUMCR register.

1 = Causes TCR1 counter to increment at a rate of the system clock divided by two.

SOFT RST — Soft Reset

The TPU2 performs an internal reset when both the SOFT RST bit in the TPUMCR2 and the STOP bit in TPUMCR are set. The CPU16 must write zero to the SOFT RST bit to bring the TPU2 out of reset. The SOFT RST bit must be asserted for at least nine clocks.

NOTE

Do not attempt to access any other TPU2 registers when this bit is asserted. When this bit is asserted, it is the only accessible bit in the register.

0 = Normal operation

1 = Puts TPU2 in reset until bit is cleared

ETBANK[1:0] — Entry Table Bank Select

The entry table bank (ETBANK[1:0]) field determines the bank where the microcoded entry table is situated. After reset, this field is %00. This control bit field is write once after reset. ETBANK[1:0] is used when the microcode contains entry tables not located in the default bank 0. To execute the ROM functions on this MCU, ETBANK[1:0] must be 00. Refer to **Table D-60**.

NOTE

This field should not be modified by the programmer unless necessary because of custom microcode.

Table D-60 Entry Table Bank Location

| ETBANK | BANK |
|--------|------|
| 00 | 0 |
| 01 | 1 |
| 10 | 2 |
| 11 | 3 |

FPSCCK[2:0] — Filter Prescaler Clock

The filter prescaler clock control bit field determines the ratio between system clock frequency and minimum detectable pulses. The reset value of these bits is zero, defining the filter clock as four system clocks. Refer to **Table D-61**.

Table D-61 System Clock Frequency/Minimum Guaranteed Detected Pulse

| Filter Control | Divide By | 16.7 MHz | 20 MHz |
|----------------|-----------|--------------|---------------|
| 000 | 2 | 240 ns | 200 ns |
| 001 | 4 | 480 ns | 400 ns |
| 010 | 8 | 960 ns | 800 ns |
| 011 | 16 | 1.92 μ s | 1.6 μ s |
| 100 | 32 | 3.2 μ s | 2.12 μ s |
| 101 | 64 | 6.4 μ s | 5.12 μ s |
| 110 | 128 | 12.8 μ s | 10.24 μ s |
| 111 | 256 | 2.56 μ s | 20.48 μ s |

T2CF — T2CLK Pin Filter Control

When asserted, the T2CLK input pin in the TPU2 is filtered with the same filter clock that is supplied to the channels. This control bit is write once after reset.

0 = Uses fixed four-clock filter

1 = T2CLK input pin filtered with same filter clock that is supplied to the channels.

DTPU — Disable TPU2 Pins

In the TPU2, when the disable TPU2 control pin is asserted, pin TP15 is configured as an input disable pin. When the TP15 pin value is zero, all TPU2 output pins are three-stated, regardless of the pins function. The input is not synchronized. This control bit is write once after reset.

0 = TP15 functions as normal TPU2 channel.

1 = TP15 pin configured as output disable pin. When TP15 pin is low, all TPU2 output pins are in a high-impedance state, regardless of the pin function.

D.10.16 TPU2 Parameter RAM

The channel parameter registers are organized as one hundred 16-bit words of RAM. Channels 0 to 15 have eight parameters. The parameter registers constitute a shared work space for communication between the CPU16 and the TPU2. The TPU2 can only access data in the parameter RAM. Refer to **Table D-62**.

Freescale Semiconductor, Inc.

Table D-62 Parameter RAM Address Map

| Channel Number | Base Address | Parameter | | | | | | | |
|----------------|--------------------------|-----------|----|----|----|----|----|----|----|
| | | 0 | 1 | 2 | 3 | 4 | 5 | 6 | 7 |
| 0 | \$YFFF## ^{1, 2} | 00 | 02 | 04 | 06 | 08 | 0A | 0C | 0E |
| 1 | \$YFFF## | 10 | 12 | 14 | 16 | 18 | 1A | 1C | 1E |
| 2 | \$YFFF## | 20 | 22 | 24 | 26 | 28 | 2A | 2C | 2E |
| 3 | \$YFFF## | 30 | 32 | 34 | 36 | 38 | 3A | 3C | 3E |
| 4 | \$YFFF## | 40 | 42 | 44 | 46 | 48 | 4A | 4C | 4E |
| 5 | \$YFFF## | 50 | 52 | 54 | 56 | 58 | 5A | 5C | 5E |
| 6 | \$YFFF## | 60 | 62 | 64 | 66 | 68 | 6A | 6C | 6E |
| 7 | \$YFFF## | 70 | 72 | 74 | 76 | 78 | 7A | 7C | 7E |
| 8 | \$YFFF## | 80 | 82 | 84 | 86 | 88 | 8A | 8C | 8E |
| 9 | \$YFFF## | 90 | 92 | 94 | 96 | 98 | 9A | 9C | 9E |
| 10 | \$YFFF## | A0 | A2 | A4 | A6 | A8 | AA | AC | AE |
| 11 | \$YFFF## | B0 | B2 | B4 | B6 | B8 | BA | BC | BE |
| 12 | \$YFFF## | C0 | C2 | C4 | C6 | C8 | CA | CC | CE |
| 13 | \$YFFF## | D0 | D2 | D4 | D6 | D8 | DA | DC | DE |
| 14 | \$YFFF## | E0 | E2 | E4 | E6 | E8 | EA | EC | EE |
| 15 | \$YFFF## | F0 | F2 | F4 | F6 | F8 | FA | FC | FE |

NOTES:

1. Y = M111, where M is the logic state of the module mapping (MM) bit in the SCIMCR.
2. ## = Not implemented.

D.11 TPU Flash EEPROM Module (TPUFLASH)

The TPUFLASH module is used only in the M68HC916Y3. **Table D-63** shows the TPUFLASH address map.

Table D-63 TPUFLASH Address Map

| Address | Register |
|-----------------------|--|
| \$YFF860 ¹ | TPUFLASH Module Configuration Register (TFMCR) |
| \$YFF862 | TPUFLASH Test Register (TFTST) |
| \$YFF864 | TPUFLASH Base Address Register High (TFBAH) |
| \$YFF866 | TPUFLASH Base Address Register Low (TFBAL) |
| \$YFF868 | TPUFLASH Control Register (TFCTL) |
| \$YFF86A | Reserved |
| \$YFF86C | Reserved |
| \$YFF86E | Reserved |
| \$YFF870 | TPUFLASH Bootstrap Word 0 (TFBS0) |
| \$YFF872 | TPUFLASH Bootstrap Word 1 (TFBS1) |
| \$YFF874 | TPUFLASH Bootstrap Word 2 (TFBS2) |
| \$YFF876 | TPUFLASH Bootstrap Word 3 (TFBS3) |
| \$YFF878 | Reserved |
| \$YFF87A | Reserved |
| \$YFF87C | Reserved |
| \$YFF87E | Reserved |

NOTES:

1. Y = M111, where M is the logic state of the module mapping (MM) bit in the SCIMCR.

NOTE

In the following register diagrams, bits with reset states determined by shadow bits are shaded. The reset value “SB” indicates that a bit assumes the value of its associated shadow bit during reset.

D.11.1 TPUFLASH Module Configuration Register

TFMCR — TPUFLASH Module Configuration Register

\$YFF860

| | | | | | | | | | | | | | | | |
|------|-----|----|------|------|----|-----------|---|---|---|-----|-----|------|---|---|---|
| 15 | 14 | 13 | 12 | 11 | 10 | 9 | 8 | 7 | 6 | 5 | 4 | 3 | 2 | 1 | 0 |
| STOP | FRZ | 0 | BOOT | LOCK | 0 | ASPC[1:0] | 0 | 0 | 0 | TME | TPU | BUSY | 0 | 0 | |

RESET:

| | | | | | | | | | | | | | | | |
|----------------|---|---|----|----|---|----|----|---|---|---|---|---|---|---|---|
| DATA12 + SB | 0 | 0 | SB | SB | 0 | SB | SB | 0 | 0 | 0 | 0 | 0 | 0 | 0 | 0 |
|----------------|---|---|----|----|---|----|----|---|---|---|---|---|---|---|---|

TFMCR controls module configuration. This register can be written only when the control block is not write-locked (when LOCK = 0). All active bits take values from the associated shadow register during reset.

STOP — Stop Mode Control

0 = Normal operation.

1 = Low-power stop operation (provided the TPUFLASH is not in TPU mode). The TPUFLASH is disabled from IMB accesses.

STOP can be set either by pulling data bus pin DATA12 low during reset or by the corresponding shadow bit. The TPUFLASH array is inaccessible during low-power stop. The array can be re-enabled by clearing STOP. If STOP is set during programming or erasing, the program/erase voltage is automatically turned off. However, the enable program/erase bit (ENPE) remains set. If STOP is cleared, program/erase voltage is automatically turned back on unless ENPE is cleared. To achieve a true low-power stop when the TPUFLASH is in TPU mode, stop both the TPUFLASH and the TPU2. This has no effect on the TPU microcode store.

Even though IMB accesses are prevented if STOP is set, the STOP bit has no effect on TPU2 accesses. A TPUFLASH with the STOP bit set can still provide microcode to the TPU2.

FRZ — Freeze Mode Control

0 = Disable program/erase voltage while FREEZE is asserted.

1 = Allow ENPE bit to turn on the program/erase voltage while FREEZE is asserted.

In TPU mode, this bit has no effect since programming cannot be done in TPU Mode. Entering FREEZE Mode when programming or erasing is in progress can put excess stress on the TPU flash EEPROM array, as the program/erase voltage is not automatically turned off when the internal FREEZE line is asserted and FRZ = 1.

$\overline{\text{BOOT}}$ — Boot Control

0 = TPUFLASH responds to bootstrap vector addresses after reset.

1 = TPUFLASH does not respond to bootstrap vector addresses after reset.

On reset, $\overline{\text{BOOT}}$ takes on the value stored in its associated shadow bit. If $\overline{\text{BOOT}} = 0$ and STOP = 0, the module responds to program space accesses of IMB addresses \$000000 to \$000006 following reset, and the contents of TFBS[3:0] are used as bootstrap vectors. After address \$000006 is read, the module responds normally to control block or array addresses only. If the TPU flash EEPROM is configured for boot mode as well as to enter TPU mode automatically out of reset, the TPUFLASH performs the bootstrap accesses first, then provides microcode to the TPU2.

NOTE

Avoid using a base address value that causes the module's own array to overlap any but its own control registers. If a portion of the array overlaps its own register block, the registers remain accessible, but accesses to that portion of the array are ignored. If the array overlaps the control block of any other module, however, reads of the overlapping registers become indeterminate.

LOCK — Lock Registers

0 = Write-locking disabled.

1 = Write-locked registers protected.

Freescale Semiconductor, Inc.

If the reset state of LOCK is zero, it can be set once after reset to allow protection of the registers after initialization. Once the LOCK bit is set by software, it cannot be cleared again until after a reset.

Since all TPUFLASH control registers are write-protected while in TPU mode, this bit has no effect. LOCK = 1 does not prevent programming shadow locations.

ASPC[1:0] — TPUFLASH Array Space

Because the CPU16 operates only in supervisory mode, ASPC1 must remain set to one for array accesses to take place. The field can be written only if LOCK = 0 and STOP = 1. During reset, ASPC[1:0] takes on the default value programmed into the associated shadow register. Refer to **Table D-64**.

Table D-64 Array Space Encoding

| ASPC[1:0] | Type of Access |
|-----------|-----------------------------------|
| 10 | Supervisor program and data space |
| 11 | Supervisor program space |

\overline{TME} — TPU Mode Enable Shadow

When \overline{TME} is set to zero, the TPUFLASH functions similar to a TPUROM. This bit is not a TFMCR register bit, but a bit in the shadow register that corresponds to the TFM-CR. This bit cannot be read normally. To read this bit, the user must follow the same procedure used to read a shadow register.

0 = The TPUFLASH automatically sets the EMU bit in the TPUMCR coming out of reset.

1 = The TPUFLASH starts normally. The EMU bit in the TPUMCR must be set to enter TPU mode.

TPU — TPU Status Flag

0 = TPUFLASH is in IMB mode.

1 = TPUFLASH is in TPU mode.

This bit is read-only.

BUSY — TPUFLASH Busy Flag

This bit is intended as a warning flag for the case when a user tries to program the TPUFLASH while it is in TPU mode. This operation is illegal. To indicate this, the TPUFLASH sets this bit. This informs the user that the TPUFLASH is “busy” providing microcode to the TPU2.

0 = Either the TPUFLASH is available for microcode access or is not needed for microcode access.

1 = TPUFLASH is in TPU mode, but is not available. This can occur if the LAT bit in the TFCTL register is set and the TPU2 is requesting data from the TPUFLASH.

This bit is read-only.

D.11.2 TPUFLASH Test Register

TFTST — TPUFLASH Test Register

\$YFF862

This register is used for factory test only.

D.11.3 TPUFLASH Base Address Registers

TFBAH — TPUFLASH Base Address High Register

\$YFF864

| | | | | | | | | | | | | | | | |
|----|----|----|----|----|----|---|---|------------|------------|------------|------------|------------|------------|------------|------------|
| 15 | 14 | 13 | 12 | 11 | 10 | 9 | 8 | 7 | 6 | 5 | 4 | 3 | 2 | 1 | 0 |
| 0 | 0 | 0 | 0 | 0 | 0 | 0 | 0 | ADDR 23 | ADDR 22 | ADDR 21 | ADDR 20 | ADDR 19 | ADDR 18 | ADDR 17 | ADDR 16 |

RESET:

| | | | | | | | | | | | | | | | | | |
|---|---|---|---|---|---|---|---|---|---|----|----|----|----|----|----|----|----|
| 0 | 0 | 0 | 0 | 0 | 0 | 0 | 0 | 0 | 0 | SB | SB | SB | SB | SB | SB | SB | SB |
|---|---|---|---|---|---|---|---|---|---|----|----|----|----|----|----|----|----|

TFBAH contains the 16 high-order bits of the array base address; TFBAL contains the active low-order bits of the array base address. During reset, both TFBAH and TFBAL take on default values programmed into associated shadow registers. After reset, if LOCK = 0 and STOP = 1, software can write to TFBAH and TFBAL to relocate the TPUFLASH array. Because the states of ADDR[23:20] follow the state of ADDR19, addresses in the range \$080000 to \$F7FFFF cannot be accessed by the CPU16. If the TPUFLASH array is mapped to these addresses, the system must be reset before the array can be accessed.

TFBAL — TPUFLASH Base Address Low Register

\$YFF866

| | | | | | | | | | | | | | | | |
|------------|------------|------------|------------|----|----|---|---|---|---|---|---|---|---|---|---|
| 15 | 14 | 13 | 12 | 11 | 10 | 9 | 8 | 7 | 6 | 5 | 4 | 3 | 2 | 1 | 0 |
| ADDR 15 | ADDR 14 | ADDR 13 | ADDR 12 | 0 | 0 | 0 | 0 | 0 | 0 | 0 | 0 | 0 | 0 | 0 | 0 |

RESET:

| | | | | | | | | | | | | | | | |
|----|----|----|----|---|---|---|---|---|---|---|---|---|---|---|---|
| SB | SB | SB | SB | 0 | 0 | 0 | 0 | 0 | 0 | 0 | 0 | 0 | 0 | 0 | 0 |
|----|----|----|----|---|---|---|---|---|---|---|---|---|---|---|---|

TFBAL is used to determine the base address and depends on the array size. The shadow bits for TFBAL[15:11] are programmable, although some of the bits can be ignored, depending on the array size. In this TPU flash, bit 11 will be ignored. Bits [15:12] are used to map the 4-Kbyte TPUFLASH array to a 4-Kbyte address space.

D.11.4 TPUFLASH Control Register

TFCTL — TPUFLASH Control Register

\$YFF868

| | | | | | | | | | | | | | | | |
|----|----|----|----|----|----|---|---|---|---|---|---|------|------|-----|------|
| 15 | 14 | 13 | 12 | 11 | 10 | 9 | 8 | 7 | 6 | 5 | 4 | 3 | 2 | 1 | 0 |
| 0 | 0 | 0 | 0 | 0 | 0 | 0 | 0 | 0 | 0 | 0 | 0 | VFPE | ERAS | LAT | ENPE |

RESET:

| | | | | | | | | | | | | | | | |
|---|---|---|---|---|---|---|---|---|---|---|---|---|---|---|---|
| 0 | 0 | 0 | 0 | 0 | 0 | 0 | 0 | 0 | 0 | 0 | 0 | 0 | 0 | 0 | 0 |
|---|---|---|---|---|---|---|---|---|---|---|---|---|---|---|---|

TFCTL controls programming and erasure of the TPUFLASH.

VFPE — Verify Program/Erase

0 = Normal read cycles.

1 = Invoke program-verify circuit.

Freescale Semiconductor, Inc.

This bit invokes a special program-verify circuit. During programming sequences (ERAS = 0), VFPE is used in conjunction with the LAT bit to determine when programming of a location is complete. If VFPE and LAT are both set, a bit-wise exclusive-OR of the latched data with the data in the location being programmed occurs when any valid TPUFLASH location is read. If the location is completely programmed, a value of zero is read. Any other value indicates that the location is not fully programmed. When VFPE is cleared, normal reads of valid TPUFLASH locations occur.

ERAS — Erase Control

0 = TPUFLASH configured for programming.

1 = TPUFLASH configured for erasure.

The ERAS bit in BFECTL configures the TPUFLASH array for programming or erasure. Setting ERAS causes all locations in the array and all TPUFLASH shadow bits in the control block to be configured for erasure. **Table 14-7** shows the address ranges that must be written to during an erase operation in order to erase specific blocks of the TPUFLASH array.

Table 14-7 TPUFLASH Erase Operation Address Ranges

| Block | Addresses Affected | Address Bits Used to Specify Block for Erasure | | | | | | | |
|---------------------------|--------------------|--|----------------|----|----|----|----|----------------|----------------|
| | | ADDR[23:11] | ADDR[10:6] | A5 | A4 | A3 | A2 | A1 | A0 |
| 0 | \$0000 - \$007F | TFBAH/TFBAL ¹ | X ² | 1 | 0 | 0 | 0 | X ² | X ² |
| 1 | \$0080 - \$0100 | | | 1 | 0 | 0 | 1 | | |
| 2 | \$0100 - \$017F | | | 1 | 0 | 1 | 0 | | |
| 3 | \$0180 - \$01FF | | | 1 | 0 | 1 | 1 | | |
| 4 | \$0200 - \$02FF | | | 1 | 1 | 0 | 0 | | |
| 5 | \$0300 - \$03FF | | | 1 | 1 | 0 | 1 | | |
| 6 | \$0400 - \$05FF | | | 1 | 1 | 1 | 0 | | |
| 7 | \$0600 - \$07FF | | | 1 | 0 | 1 | 1 | | |
| Reserved | | | | 1 | X | X | X | | |
| Entire Array ³ | \$0600 - \$07FF | | | 0 | X | X | X | | |

NOTES:

1. The TPUFLASH base address high and low registers (TFBAH and TFBAL) specify ADDR[23:11] of the block to be erased.
2. These address bits are “don't cares” when specifying the block to be erased.
3. Erasing the entire array also erases the TPUFLASH control register shadow bits.

When the LAT bit is set, ERAS also determines whether a read returns the value of the addressed location (ERAS = 1) or the location being programmed (ERAS = 0).

The value of ERAS cannot be changed if the program/erase voltage is turned on (ENPE = 1).

LAT — Latch Control

0 = Programming latches disabled.

1 = Programming latches enabled.

Freescale Semiconductor, Inc.

When LAT is cleared, the TPUFLASH address and data buses are connected to the IMB address and data buses. The TPUFLASH is configured for normal reads. When LAT is set, the TPUFLASH address and data buses are connected to parallel internal latches. The TPUFLASH array is configured for programming or erasing.

Once LAT is set, the next write to a valid TPUFLASH address causes the programming circuitry to latch both address and data. Unless control register shadow bits are to be programmed, the write must be to an array address.

The value of LAT cannot be changed when program/erase voltage is turned on (ENPE = 1).

ENPE — Enable Program/Erase

0 = Disable program/erase voltage.

1 = Apply program/erase voltage.

ENPE can be set only after LAT has been set, and a write to the data and address latches has occurred. ENPE remains cleared if these conditions are not met. While ENPE is set, the LAT, VFPE, and ERAS bits cannot be changed, and attempts to read a TPUFLASH array location are ignored.

D.11.5 TPUFLASH Bootstrap Words

TFBS[3:0] — TPUFLASH 1 Bootstrap Words

\$YFF870 – \$YFF876

15

0



RESET:

PROGRAMMED VALUE

TFBS[3:0] can be used as system bootstrap vectors. When $\overline{BOOT} = 0$ in TFMCR during reset, the TPUFLASH responds to program space accesses of IMB addresses \$000000 to \$000006 after reset. When $\overline{BOOT} = 1$, the TPUFLASH responds only to normal array and register accesses. TFBS[3:0] can be read at any time, but the values in the words can only be changed by programming the appropriate locations.

INDEX

Symbol

16-Bit expanded mode 5-45
8-Bit expanded mode 5-47

—A—

ABIU 10-3
Accumulator
 M overflow flag (MV) 4-4, D-3
 offset addressing mode 4-10
ADC 10-1
 address map D-37
 analog subsystem 10-4
 block diagram 10-2
 bus interface unit (ABIU) 10-3
 clock 10-6
 conversion
 control logic 10-7
 modes 10-8
 parameters 10-8
 timing 10-12
 digital control subsystem 10-6
 external connections 10-1
 features 3-2
 overview 10-1
 prescaler 10-6
 programmer's model 10-3
 registers
 control registers (ADCTL) 10-6, D-39, D-40
 left justified
 signed (LJSRR) D-44
 unsigned (LJURR) D-45
 module configuration register (ADCMCR) 10-3, D-38
 port ADA data register (PORTADA) D-38
 result registers 10-13
 right justified, unsigned (RJURR) D-44
 status register (ADCSTAT) D-44
 status register (ADSTAT) 10-6
 test register (ADCTEST) D-38
 special operating modes 10-3
ADCMCR 10-1, 10-3, D-38
ADCSTAT D-44
ADCTEST D-38
ADCTL D-39, D-40
ADCTST 10-1
ADDD 4-9
ADDE 4-9
ADDR

 bus signals 5-23
 definition 2-9
 signal 5-27
 starting address D-20
Address
 bus (ADDR) 5-23
 extension 4-6
 fields 4-5
 register 4-5
 map 3-19
 -mark wakeup 11-32, 12-23
 space
 encoding 5-24
 maps 3-21
 strobe (AS) 5-23
Addressing modes 4-8
 accumulator offset 4-10
 extended 4-10
 immediate 4-9
 indexed 4-10
 use in replacing M68HC11 direct mode 4-11
 inherent 4-10
 post-modified index 4-10
 relative 4-10
AIS 4-9
AIX/Y/Z 4-9
Analog
 input
 circuitry 10-15
 considerations 10-20
 pins 10-2, 10-22
 electrical model 10-22
 power pins 10-14
 reference pins 10-3, 10-14
 subsystem 10-4
 supply
 filtering and grounding 10-16
 pins 10-3
 -to-digital converter (ADC). See ADC 10-1
Arbitration 11-3
are 12-2
 \overline{AS} 4-41
AS 5-23, 5-32, 5-35, 5-37
ASPC 7-2, 7-3, D-28
Asserted (definition) 2-9
Asynchronous
 exceptions 4-39
Autocorrelation 4-46
Autovector (AVEC) 5-25
Auxiliary timer clock input (PCLK) 13-8
AVEC 5-35, 5-64

Freescale Semiconductor, Inc.

enable bit 5-66, D-23

–B–

Background

- debug mode 4-40, 4-42, 5-33
 - commands 4-43
 - connector pinout 4-45
 - enabling 4-42
 - entering 4-43
 - recommended connection 4-45
 - serial
 - I/O block diagram 4-45
 - interface 4-44
 - sources 4-42

Basic operand size 5-27

Baud

- clock 11-27, 12-19
- rate generator 11-2

BC D-90

BCD 4-6

BEFLASH

- features 3-2

BERR 5-29, 5-33, 5-35, 5-37

BG 5-38, 5-64

BGACK 5-38, 5-64

BH D-90

Binary

- coded decimal (BCD) 4-6
- weighted capacitors 10-6

BITS D-55

- encoding field 11-19

Bits per transfer

- enable (BITSE) D-60
- field (BITS) D-55

BITSE 11-21, D-60

Bit-time 11-26, 12-18

BKPT 4-42, 5-33, 5-54

BKPT (TPU asserted) D-90

BL D-90

BLC D-89

Block size (BLKSZ) 5-64, D-20

- encoding 5-65, D-20

BM D-90

BME 5-17, D-14

BMT 5-16, D-14

BOOT 7-3, D-28

Boot ROM control (BOOT) D-28

Bootstrap words (ROMBS) 7-1

BP D-90

BR 5-38, 5-64

Branch latch control (BLC) D-89

Break frame 11-27, 12-18

Breakpoint

- acknowledge cycle 5-33
- asserted flag (BKPT) D-90
- enable bits D-90
- exceptions 4-40
- flag (PCBK) D-91
- hardware breakpoints 5-33

mode selection 5-49

operation 5-34

Breakpoints 4-41

Brushless motor commutation (COMM) 14-13

BT D-90

Buffer amplifier 10-5

Built-in emulation memory C-1

Bus

arbitration for a single device 5-39

cycle

regular 5-29

terminations for asynchronous cycles 5-36

error

exception processing 5-36

signal (BERR) 5-16, 5-25, 5-36

timing of 5-36

exception control cycles 5-35

grant (BG) 5-38

grant acknowledge (BGACK) 5-38

monitor 5-16

external enable (BME) D-14

timeout period 5-17

timing (BMT) 5-16, D-14

request (BR) 5-38

state analyzer 4-40

BYTE (upper/lower byte option) 5-66, D-21

–C–

C 4-4, D-3

Capture/compare unit 13-1

block diagram 13-12

clock output enable (CPROUT) bit D-81

Carry flag (C) 4-4, D-3

CCF D-44

CCL D-90

CCR 4-4, D-3

CCTR D-44

CD/CA D-41

CDAC 10-23

Central processing unit (CPU16). See CPU16 4-1

CF 10-23

CFORC 13-8, 13-14, 13-15, D-82

CFSR D-92

CH D-91, D-93, D-94

CHANNEL D-92

Channel

conditions latch (CCL) D-90

control registers 14-16

function select registers 14-16

interrupt

base vector (CIBV) D-91

enable

/disable field (CH) D-91

and status registers 14-16

request level (CIRL) D-91

status (CH) D-94

orthogonality 14-4

priority registers 14-18

register breakpoint flag (CHBK) D-91

MOTOROLA

I-2

MC68HC16Y3/916Y3

USER'S MANUAL

**For More Information On This Product,
Go to: www.freescale.com**

Freescale Semiconductor, Inc.

- Channel selection for A/D conversion D-41
- Charge sharing 10-24
- CHBK D-91
- Chip-select
 - base address registers (CSBAR) 5-63, 5-64
 - reset values 5-69
 - operation 5-67
 - option registers (CSOR) 5-63, 5-65, D-21
 - reset values 5-69
 - pin assignment registers (CSPAR) 5-63, D-19
 - field encoding 5-64
 - reset operation 5-69
 - signals for interrupt acknowledge 5-67
- CIBV D-91
- CIER 14-17, D-91
- CIRL D-91
- CISR 14-14, 14-17, D-94
- Clear (definition) 2-9
- CLI 4-37
- Clipping errors 10-16
- CLKOUT 5-29, 5-41
- CLKRST (clock reset) 5-41
- CLKS D-89
- CLO 4-37
- Clock
 - ADC 10-6
 - control multipliers
 - 16.78 MHz 5-10
 - frequency (calculation) D-7
 - mode
 - pin (MODCLK) 5-48
 - selection 5-48
 - modes
 - fast reference option (4.194 MHz) 5-6
 - slow reference option (32.768 kHz) 5-5
 - output (CLKOUT) 5-29
 - phase (CPHA) 12-9, D-55
 - = 0 transfer format 12-9
 - = 1 transfer format 12-10
 - polarity (CPOL) 12-9, D-55
 - synthesizer
 - operation 5-6
- Closed-loop control routines 4-46
- CLP 4-37
- CLT 4-37
- Coherency 13-9, 13-13, 14-5
- Combined program and data space map
 - M68HC916R1 3-24
- Combined program and data space maps
 - M68HC16R1 3-22
- COMM 14-13
- Command RAM 11-9
- Comparator 10-6
- Completed queue pointer (CPTQP) D-59
- Condition code register (CCR) 4-4, 13-6, 14-6
- Configuration options 5-41
 - 16-bit expanded mode 5-45
 - 8-bit expanded mode 5-47
 - address and data bus pin functions 5-42
 - single-chip mode 5-48
- CONT D-60
- Contention 5-58
- Continue (CONT) D-60
- Continuous transfer mode 11-7
- Conventions 2-9
- Conversion
 - complete flags (CCF) D-44
 - control logic 10-7
 - modes 10-8
 - parameters 10-8
 - counter (CCTR) D-44
 - timing 10-12
- CPHA 11-18, 12-9, 12-10, D-55
- CPOL 11-18, 12-9, D-55
- CPR D-81, D-93
- CPROUT 13-10, D-81
- CPTQP 11-10, D-59
- CPU space 5-67
 - address encoding 5-33
 - cycles 5-32, 5-67
 - encoding for interrupt acknowledge 5-68
- CPU16 4-1
 - accumulators 4-3
 - address
 - extension 4-6
 - extension register 4-5
 - addressing modes 4-8
 - accumulator offset 4-10
 - extended 4-10
 - immediate 4-9
 - indexed 4-10
 - inherent 4-10
 - post-modified index 4-10
 - relative 4-10
- breakpoints 4-41
- compatibility with M68HC11 4-1
- condition code register (CCR) 4-4
- data types 4-6
- extension fields 4-6
- features 3-1
- general information 4-1
- index registers 4-3
- instruction 4-11
 - comparison to M68HC11 4-31
 - execution model 4-34
 - set
 - abbreviations and symbols 4-30
 - summary 4-12
 - timing 4-36
- levels of interrupt priority 5-56
- memory
 - management 4-5
 - organization 4-7
- program counter (PC) 4-3
- reference manual 4-1
- register model 4-2, D-2
- registers
 - condition code register (CCR) D-3
 - mnemonics 2-2
 - multiply and accumulate (MAC) registers 4-5

MC68HC16Y3/916Y3

USER'S MANUAL

MOTOROLA

I-3

**For More Information On This Product,
Go to: www.freescale.com**

Freescale Semiconductor, Inc.

stack pointer (SP) 4-3
CR D-60
CREG D-24
Cross-correlation 4-46
CSBAR D-20
CSBARBT D-20
CSBOOT 5-54, 5-62, 5-64, 7-3
 reset values 5-70
CSOR D-21
CSORBT D-21
CSPAR0/1 D-18

-D-

DAC capacitor array (CDAC) 10-23
DATA 5-23
Data
 and size acknowledge (DSACK) 5-16, 5-24
 bus
 mode selection 5-43
 signals (DATA) 5-23
 frame 11-27, 12-18
 multiplexer 5-27
 strobe (DS) 5-23
DATA (definition) 2-9
DCNR D-94
DDRAB D-11
DDRE D-11
DDRF D-12
DDRG D-10
DDRGP 13-8, 13-15, D-77
DDRH D-10
DDRM 12-2, D-66
DDRQS 11-4, 11-17, 11-21, D-53
Delay
 after transfer (DT) 11-19, D-60
 before SCK (DSCKL) D-56
Designated CPU space 5-24
Development
 support and test registers (TPU) 14-18
 support for CPU16 4-40
 tools and support C-1
Digital
 control subsystem 10-6
 signal processing (DSP) 4-46
DIO 14-6
Disable TPU2 pins field (DTPU) D-96
Discrete input/output (DIO) 14-6
DIV2 D-95
DIV8 clock 14-16
Divide by two control field (DIV2) D-95
Divider/counter 5-7
Double
 -buffered 11-28, 11-30, 12-20, 12-21
 bus fault 5-37
DREG D-24
Driver types 3-12
DS 4-41
DS 5-23, 5-37
DSACK 5-16, 5-29, 5-33, 5-35, 5-64, 5-67

external/internal generation 5-32
option fields 5-32
signal effects 5-26
source specification in asynchronous mode 5-66,
 D-22
DSCK D-60
DSCKL D-56
DSCLK 4-44
DSCR D-89
DSP 4-46
DSSR D-90
DT D-60
DTL D-57
DTPU D-96
Dynamic bus sizing 5-25

-E-

EBI 5-58
ECLK 5-14
EDGE D-80
Edge-detection logic 13-13
EDGExA/B 13-13
EDIV 5-14, D-8
EK 4-5
Electrical characteristics A-1
EMU 14-5, 14-16, D-88
EMUL D-28
Emulation
 control (EMU) 14-16, D-88
 support 14-5
Emulation mode control (EMUL) D-28
Encoded
 one of three channel priority levels (CH) D-93
 time function for each channel (CHANNEL) D-92
 type of host service (CH) D-93
Ending queue pointer (ENDQP) D-58
ENDQP 11-10, D-58
Entry
 table bank select field (ETBANK) D-95
Error
 conditions 11-30, 12-22
 detection circuitry 11-2
ETBANK D-95
EV 4-4
Event counting mode 13-16
Event timing 14-4
Exception
 asynchronous 4-39
 definition 4-37
 multiple 4-40
 processing 5-40
 sequence 4-39
 stack frame 4-38
 format 4-38
 synchronous 4-39
 types 4-39
 vector 4-37, 5-40, 14-6
 table 4-38
Execution

MOTOROLA
I-4

MC68HC16Y3/916Y3
USER'S MANUAL

**For More Information On This Product,
Go to: www.freescale.com**

Freescale Semiconductor, Inc.

process 4-36
unit 4-35
EXOFF D-6
EXT D-9
Extended addressing modes 4-10
Extension
bit overflow flag (EV) 4-4
field (SK) 4-3
fields 4-6
External
bus
arbitration 5-38
clock
division bit (EDIV) 5-14, D-8
operation during LPSTOP 5-14
signal (ECLK) 5-14
interface (EBI) 5-21
control signals 5-23
circuit settling time 10-24
clock
input signal (PCLK) 13-1
off (EXOFF) bit D-6
leakage 10-24
multiplexing of analog signal sources 10-21
reset (EXT) D-9
EXTRST (external reset) 5-53

-F-

F1A/B D-84
F1x bits 13-8
Factory test 5-75
Fast
mode 13-18
quadrature decode (FQD) 14-12
reference 5-4
reference circuit 5-6
termination
cycles 5-28, 5-31
FC 5-24
FE 11-30, 12-22, D-52, D-71
Ferrite beads 10-14
Flash EEPROM
features 3-2
FOC 13-15, D-83
Force
compare bits (FOC) 13-15
logic level one on
PWMA/B (F1A/B) bit D-84
output compare (FOC) bit D-83
FPSC D-95
FPWMx 13-8
FQD 14-12
FQM 14-13
Frame 11-27, 12-18
size 11-31, 12-22
Framing error (FE) flag 11-30, 12-22, D-52, D-71
Free-running counter (TCNT) 13-1
FREEZE 4-43
assertion response (FRZ)

ADC 10-4, D-38
GPT 13-3, D-76
QSM 11-3, D-47
SCIM2 5-4
TPU D-90
bus monitor (FRZBM) 5-4, D-6
software enable (FRZSW) 5-4, D-6
Frequency
measurement (FQM) 14-13
Frequency control bits
counter (Y) D-8
prescaler (X) D-8
VCO (W) D-8
FRZ 10-4, 13-3, D-38, D-47, D-76, D-90
FRZBM 5-4, D-6
FRZSW 5-4, D-6
fsys D-7
F-term encoding 5-32
Function
library for TPU 14-5
Function code (FC) signals 5-24, 5-32

-G-

Gain 10-19
Gated time accumulation mode 13-16
General purpose I/O ports 5-70
General-purpose timer (GPT). See GPT 13-1
GPT
address map D-75
block diagram 13-2
capture/compare unit 13-11
block diagram 13-12
general
information 13-1
-purpose I/O 13-8
interrupt sources 13-6, D-77
interrupts 13-5
pins 13-7
polled and interrupt-driven operation 13-4
prescaler 13-9
pulse
accumulator 13-15
block diagram 13-16
-width modulation
unit (PWM) 13-17
block diagram 13-18
counter 13-19
reference manual 13-1
registers 13-2
capture/compare registers
action
data register (OC1D) 13-15
mask register (OC1M) 13-15
timer
compare force register (CFORC)
13-14, 13-15, D-82
interrupt flag register 2 (TFLG2) 13-11
input
capture 4/output compare 5 registers

MC68HC16Y3/916Y3

USER'S MANUAL

MOTOROLA

I-5

**For More Information On This Product,
Go to: www.freescale.com**

Freescale Semiconductor, Inc.

(TI4/O5) D-80
capture registers (TIC) D-79
interrupt
configuration register (ICR) D-76
control registers
timer interrupt mask registers (TMSK)
13-11, 13-13
module
configuration register (GPTMCR) D-75
test register (GPTMTR) D-76
OC1 action
data register (OC1D) D-77
mask register (OC1M) D-77
output compare registers (TOC) D-79
parallel I/O registers
port GP data
direction register (DDRGP) 13-8,
13-15, D-77
register (PORTGP) 13-8, D-77
prescaler register (PRESCL) D-85
pulse
accumulator registers
control register (PACTL) 13-8, 13-15,
13-17, D-78
counter register (PACNT) 13-15, D-78
-width modulation registers
counter register (PWMCNT) 13-19
PWM
buffer registers (PWMBUFA/PWMBUFB)
D-84
control register C (PWMC) D-82
count register (PWMCNT) D-84
registers A/B (PWMA/PWMB) D-84
status registers
timer interrupt
flag register 1 (TFLG1) 13-13
timer
control registers (TCTL) D-80
counter register (TCNT) D-78
interrupt
flag registers (TFLG) D-82
mask registers (TMSK) D-80
single-step mode 13-4
special operation modes 13-3
status flags 13-5
test mode 13-4
timer counter register (TCNT) 13-2
GPTMCR D-75
GPTMTR D-76
Grounding 10-17

-H-

H 4-4, D-3
Half carry flag (H) 4-4, D-3
Hall effect decode (HALLD) 14-13
HALLD 14-13
HALT 5-17, 5-25, 5-29, 5-35, 5-37
Halt
acknowledge flag (HALTA) D-59

monitor
enable (HME) 5-17, D-14
reset (HLT) D-9
operation 5-37
negating/reasserting 5-37
QSPI (HALT) D-58
HALT QSPI D-58
HALTA D-59
HALTA/MODF interrupt enable (HMIE) bit D-58
Handshaking 5-28
Hang on T4 (HOT4) D-89
Hardware breakpoints 5-33
HCMOS 1-1
High-density complementary metal-oxide semiconductor
(HCMOS) 1-1
HLT D-9
HME 5-17, D-14
HMIE D-58
Host
sequence registers 14-18
service registers 14-18
HOT4 D-89
HSQR D-92
HSSR D-93
Hysteresis 5-57, 13-8

-I-

I4/O5 13-15, D-79, D-81
I4/O5F D-82
IARB
GPT 13-6, D-76
MCCI D-63
QSM 11-3, D-47
SCIM2 5-3, 5-57, D-7
TPU 14-6, D-89
IC4 13-15
ICD16/ICD32 C-1
ICF D-82
ICI D-81
ICR D-76
IDD 5-51
IDLE 11-31, 12-22, D-51, D-71
Idle
frame 11-27, 12-18
-line
detect type (ILT) D-50, D-69
detected (IDLE) 11-31, 12-22, D-51, D-71
detection process 11-31, 12-22
interrupt enable (ILIE) 11-31, 12-23, D-50, D-69
type (ILT) bit 11-31, 12-22
IIN 10-19
ILIE 11-31, 12-23, D-50, D-69
ILQSPI D-48
ILSCI 12-2, D-48, D-63
ILSCIA/B D-63
ILSPI 12-2, D-64, D-65
ILT 11-31, 12-22, D-50, D-69
IMB 13-1
IMM16 4-9

MOTOROLA

I-6

MC68HC16Y3/916Y3

USER'S MANUAL

**For More Information On This Product,
Go to: www.freescale.com**

Freescale Semiconductor, Inc.

IMM8 4-9
Immediate addressing modes 4-9
Impedance 10-22
In-circuit debugger (ICD16/ICD32) C-1
INCP D-76
Increment prescaler (INCP) D-76
Indexed addressing modes 4-10
Inductors 10-14
Inherent addressing modes 4-10
Input
 capture
 (IC) pins 13-7
 /output compare (IC4/OC5) pin 13-7
 4/output compare 5 13-15
 (I4/O5) bit D-79
 flag (I4/O5F) D-82
 interrupt enable bit (I4/O5) D-81
 conditioning signals 13-13
 edge control bit field (EDGE) D-80
 flags (ICF) D-82
 functions 13-11
 interrupt
 enable (IC1) bit D-81
 logic 13-13
 timing example 13-14
 capture/input transition counter (ITC) 14-7
 leakage errors 10-24
Instruction
 execution model 4-35
 fetches 4-7
 pipeline 4-35
 set for CPU16 4-11
 timing 4-36
Interchannel communication 14-4
Intermodule bus (IMB) 3-3, 13-1
Internal
 bus
 error (BERR) 5-16, 5-17
 monitor 5-16
 register map 3-18
 VCO frequency 5-9
Interrupt
 acknowledge
 and arbitration 5-57
 bus cycles 5-59
 arbitration 5-3, 11-3, 13-6
 IARB field
 GPT D-76
 MCCI D-63
 QSM D-47
 SCIM2 5-57, D-7
 TPU 14-6, D-89
 exception processing 5-56
 level (IL)
 for QSPI (ILQSPI) D-48
 for SCI (ILSCI) D-48
 priority
 adjust (IPA) D-76
 and recognition 5-56
 level field (IPL) 5-66, D-23
 mask (IP) field 4-4, 5-56, 11-3, 13-6, 14-6, D-3
 processing summary 5-58
 vector D-64
 number 11-3, 13-6
 field (INTV) D-48
Interrupts
 GPT 13-5
 QSM 11-3
 SCIM2 5-55
 TPU 14-5
Inter-transfer delay 11-6
INTV D-48, D-64
IOOUT 10-19
IP 4-4, 11-3, 14-6, D-3
IPA D-76
IPIPE0 4-43
IPIPE1 4-43
IPL D-23
IRQ 5-56, 14-5
ISB 6-2
ITC 14-7
IX 4-3
IY 4-3
IZ 4-3
-J-
Junction leakage 10-24
-L-
Leakage error 10-24
Length of delay after transfer (DTL) D-57
Level-sensitivity 5-56
LJSRR D-44
LJURR D-45
LOC D-9
LOCK 7-3, D-28
Lock registers (LOCK) D-28
Logic
 analyzer pod connectors C-2
 levels (definition) 2-9
Loop mode (LOOPS) D-50, D-69
LOOPQ D-58
LOOPS D-50, D-69
Loss of clock reset (LOC) D-9
Low power stop (LPSTOP)
 MRM 7-3
 SRAM 6-2
 TPU 14-16
Low-power
 broadcast cycle 5-34
 CPU space cycle 5-34
 interrupt mask level 5-34
 stop mode enable (STOP)
 ADC 10-4, D-38
 GPT 13-3, D-76
 MCCI 12-2, D-63
 MRM D-27

MC68HC16Y3/916Y3

USER'S MANUAL

MOTOROLA

I-7

**For More Information On This Product,
Go to: www.freescale.com**

Freescale Semiconductor, Inc.

QSM 11-2, D-46
SCIM2 5-21
SRAM D-25
TPU D-87
LPSTOP 5-14
LR D-94
LSB 2-9
LSBF 12-12
LSW 2-9

—M—

M 11-27, 12-19, D-50, D-69
M68HC11 instructions compared to CPU16 instructions 4-31
M68MEVB1632 modular evaluation board (MEVB) C-1
M68MMDS1632 modular development system (MMDS) C-1
MAC 4-5, 4-9, 4-46
Masked ROM module (MRM). See MRM 7-1
Master/slave mode select (MSTR) D-54
MCCI
 address map D-62
 address map information 12-2
 block diagram 12-1
 features 3-2
 general 12-1
 general-purpose I/O 12-4
 initialization 12-24
 interrupts 12-3
 pin function D-66
 reference manual 12-1
 registers
 data direction register (MDDR) 12-4
 global 12-2
 global registers
 data direction register (DDRM) 12-2, D-66
 interrupt vector register (MIVR) 12-2, D-64
 module configuration register (MMCR) 12-2, D-62
 pin control registers
 pin assignment register (MPAR) 12-2, D-65
 port
 data register (PORTMC) 12-2, D-67
 pin state register (PORTMCP) 12-2, D-67
 SCI
 interrupt level register (ILSCI) 12-2, D-63
 SPI
 interrupt level register (ILSPI) 12-2, D-64
 test register (MTEST) 12-2, D-63
 pin assignment register (MPAR) 12-4
 SCI
 control register 0 (SCCR0A/B) 12-14, D-67
 control register 1 (SCCR1A/B) 12-17, D-68
 data register (SCDRA/B) 12-17, D-71
 status register (SCSRA/B) 12-17, D-70

SPI
 control register (SPCR) 12-6, D-72
 data register (SPDR) 12-6, D-74
 status register (SPSR) 12-6, D-73
 types 12-2
SCI 12-13
 interrupt level (ILSCIA/B) D-63
SPI 12-4
MCU
 16R1 block diagram 3-4
 916R1 132-pin assignment package 3-7, B-3
 916R1 block diagram 3-5
 basic system 5-22
 components 1-1
 HC16Y3 160-pin assignment package 3-6, B-2
 HC916Y3 160-pin assignment package 3-7, B-3
 overview 1-1
 personality board (MPB) C-1
MDDR 12-4
Mechanical data and ordering information B-1
Memory maps
 combined program and data
 M68HC16R1 3-22
 M68HC916R1 3-24
 internal register map 3-18
 separate program and data
 M68HC16R1 3-23
 M68HC916R1 3-25
Microcontroller Development Tools Directory (MCUDE-VTLDIR/D Rev. 3) C-1
Microsequencer 4-35
Misaligned operand 5-27
MISO 11-17, 11-21
MIVR 12-2, D-64
MM 6-1, 7-1, D-6
MMCR 12-2, D-62
MMDS C-1
Mnemonics
 range (definition) 2-9
 specific (definition) 2-9
MODE 5-65, D-21
Mode
 fault flag (MODF) 11-10, 12-12, D-59, D-74
 select (M) D-50, D-69
MODF 11-10, D-59, D-74
Modular platform board C-1
Module
 mapping (MM) bit 5-3, 6-1, 7-1, 13-2, D-1, D-6
 pin functions 5-50
Modulus
 counter 12-19
Modulus counter 11-27
Monotonicity 10-1
MOSI 11-17, 11-21
MPAR 12-2, 12-4, D-65
MPB C-1
MRM 7-1
 address map D-27
 array address mapping 7-1
 features 3-2

MOTOROLA
I-8

MC68HC16Y3/916Y3
USER'S MANUAL

**For More Information On This Product,
Go to: www.freescale.com**

Freescale Semiconductor, Inc.

low-power stop operation 7-3
normal access 7-2
registers
 module configuration register (MRMCR) 7-1, D-27
 ROM
 array base address registers (ROM-BAH/BAL) 7-1, D-29
 bootstrap words (ROMBS) 7-1, D-30
 signature registers (RSIGHI/LO) 7-1, D-29
 reset 7-3
 ROM signature 7-3
MRMCR 7-1, D-27
MSB 2-9
MSTR 12-7, 12-8, D-54
MSTRST (master reset) 5-41, 5-53, 5-54
MSW 2-9
MTEST 12-2, D-63
MULT D-40
Multichannel
 conversion (MULT) D-40
Multichannel communication interface module (MCCI).
 See MCCI 12-1
Multichannel pulse width modulation (MCPWM) 14-12
Multimaster operation 11-10
Multiple
 -channel conversion 10-11, D-43
 exceptions 4-40
Multiplexer 10-5, 13-9
 channels 10-5
 outputs 13-10
Multiply and accumulate (MAC) 4-46
MV 4-4, D-3

-N-

N 4-4
Negated (definition) 2-9
Negative
 flag (N) 4-4
 integers 4-6
 stress 10-18
New
 input capture/transition counter (NITC) 14-11
New queue pointer value (NEWQP) D-58
NEWQP 11-10, 11-22, D-58
NF 11-30, 12-22, D-52, D-71
Nine-stage divider chain 13-9
NITC 14-11
Noise 10-14
 error (NF) flag 11-30, D-52, D-71
 errors 12-22
 flag (NF) 12-22
Non-maskable interrupt 5-56
NRZ 11-2, 12-2, 12-13

-O-

OC 14-7

OC1D 13-15, D-78
OC1M 13-15, D-78
OC5 13-15
OCF D-82
OCI D-81
OCxF 13-14
OCxI 13-14
OM/OL D-80
OP (1 through 3) 5-26
Opcode tracking 4-40
 breakpoints 4-42
 combining with other capabilities 4-41
 deterministic 4-40
Operand
 alignment 5-27
 byte order 5-26
 misaligned 5-27
 transfer cases 5-27
Operators 2-1
OR D-52, D-71
Output
 capture pins 13-7
 compare
 1 (single comparison operation) 13-15
 flags (OCF) D-82
 functions 13-14, 13-15
 interrupt enable (OCI) bit D-81
 mode bits/output compare level bits (OM/OL) D-80
 status flag (OCxF) bit 13-14
 compare (OC) 14-7
Overflow flag (V) 4-4, D-3
Overrun error (OR) D-52, D-71
Overview information 3-1

-P-

PACLK D-79
PACNT 13-15, 13-17, D-78, D-79
PACTL 13-8, 13-15, 13-17, D-78
PAEN D-78
PAI 13-1, 13-16
PAI pin state (PAIS) D-78
PAIF 13-16, D-82
PAII D-81
PAIS D-78
PAMOD D-78
PAOVF 13-16, D-82
PAOVI D-81
Parasitic devices 10-18
Parentheses (definition) 2-9
Parity
 (PF) flag 12-22
 checking 11-28, 12-20
 enable (PE) D-50, D-69
 error (PF) flag 11-30, D-52, D-71
 errors 12-22
 type (PT) 11-28, 12-20, D-50, D-69
PC 4-3
PCBK D-91

MC68HC16Y3/916Y3
USER'S MANUAL

MOTOROLA

I-9

**For More Information On This Product,
Go to: www.freescale.com**

Freescale Semiconductor, Inc.

PCLK 13-1, 13-8
pin state (PCLKS) D-79
PCLKS D-79
PCS D-61
to SCK delay (DSCK) D-60
PCS0/SS 11-21
PE D-50, D-69
PEDGE 13-17, D-78
PEPAR D-11
Period
/pulse width accumulator (PPWA) 14-10
measurement
additional transition detect (PMA) 14-8
missing transition detect (PMM) 14-8
Periodic
interrupt
modulus counter 5-20
priority 5-21
request level (PIRQL) D-15
timer 5-19
components 5-19
modulus (PITM field) 5-20
modulus (PITM field) D-15
PIT period calculation 5-20, D-16
vector (PIV) D-15
timer prescaler (PTP) D-15
timer prescaler control (PTP) 5-20
Peripheral chip-selects (PCS) 11-22, D-61
PF 11-30, 12-22
PFPAR D-12
Phase-locked loop (PLL) 1-1
PICR 5-58, D-15
Pin
considerations 10-14
electrical state 5-51
function 5-51
mnemonics 2-3
reset states 5-52
Pipeline multiplexing 4-41
PIRQL D-15
PITM 5-20, D-15
PITR 5-20, D-15
PIV D-15
PK 4-4, 4-5, D-3
PLL 1-1, 5-6
PMA 14-8
PMM 14-8
Pointer 11-7
Polled operation 13-4
Port
A data register (PORTA) 5-71
B data register (PORTB) 5-71
C data register (PORTC) 5-66
E data direction register (DDRE) 5-71
E data register (PORTE) 5-71
E pin assignment register (PEPAR) 5-72
F data direction register (DDRF) 5-72
F data register (PORTF1, PORTF0) 5-72
F edge-detect flag register (PORTFE) 5-74
F edge-detect interrupt level register (PFLVR) 5-72,
5-74
F edge-detect interrupt vector register (PFIVR) 5-72,
5-74
F pin assignment register (PFPAR) 5-73
G data direction register (DDRG) 5-74
G data register (PORTG) 5-74
H data direction register (DDRH) 5-74
H data register (PORTH) 5-74
replacement unit (PRU) C-2
size 5-64
PORTA D-9
PORTADA 10-1, D-38
PORTB D-9
PORTC D-17
PORTE D-10
PORTF0/1 D-12
PORTG D-10
PORTGP 13-8, D-77
PORTH D-10
PORTMC 12-2, D-67
PORTMCP 12-2, D-67
PORTQS 11-4, D-52
Position-synchronized pulse generator (PSP) 14-9
Positive stress 10-18
Post-modified index addressing mode 4-10
POW D-9
Power
-up reset (POW) D-9
PPR D-83
PPROUT D-83
PPWA 14-10
PQSPAR 11-4, 11-17, 11-21, D-53
Prescaler 13-1, 13-9
block diagram 13-10
clock
(PSCK) D-88
control
for TCR1 14-14
for TCR2 14-15
rate selection field (PRS) D-39
PRESCL D-85
Program
counter address extension field (PK) 4-4, D-3
flow changes 4-36
Programmable
channel service priority 14-5
time accumulator (PTA) 14-12
PROUT 13-10
PRS D-39
PRU C-2
PSCK 14-14, D-88
PSHM 4-10
PSP 14-9
PT 11-28, 12-20, D-50, D-69
PTA 14-12
PTP D-15
PULM 4-10
Pulse
accumulator 13-1
block diagram 13-16

MOTOROLA
I-10

MC68HC16Y3/916Y3
USER'S MANUAL

**For More Information On This Product,
Go to: www.freescale.com**

- clock
 - select (PACLK) D-79
 - select mux 13-10
 - counter (PACNT) D-79
 - edge control (PEDGE) D-78
 - enable (PAEN) D-78
 - flag (PAIF) 13-16, D-82
 - input
 - (PAI) pin 13-8, 13-16
 - interrupt enable (PAII) bit D-81
 - mode (PAMOD) D-78
 - overflow
 - flag (PAOVF) 13-16, D-82
 - interrupt enable (PAOVI) bit D-81
 - width modulation 13-1
 - pins (PWMA/PWMB) 13-8
 - unit (PWM) 13-17
 - 16.78 MHz frequency ranges 13-19
 - block diagram 13-18
 - buffer register (PWMBUFA/B) 13-20
 - counter 13-19
 - duty cycle ratios 13-18
 - frequency ranges D-84
 - function 13-19
 - Pulse width modulation
 - TPU waveform (PWM) 14-8
 - PWM 13-17, 14-8
 - clock output enable (PPROUT) D-83
 - prescaler/PCLK select (PPR) field D-83
 - slow/fast select
 - (SFA) bit D-83
 - (SFB) bit D-83
 - PWMA/B 13-8, D-84
 - PWMBUFA/B 13-20, D-84
 - PWMC 13-8, D-82
 - PWMCNT 13-19, D-84
- Q-
- QDEC 14-10
 - QILR 11-2, D-47
 - QIVR 11-2, D-47
 - QOM 14-11
 - QSM
 - address map 11-2, D-46
 - block diagram 11-1
 - general 11-1
 - interrupts 11-3
 - pin function 11-5, D-54
 - QSPI 11-5
 - operating modes 11-10
 - operation 11-9
 - pins 11-9
 - RAM 11-8
 - registers 11-7
 - reference manual 11-1
 - registers
 - command RAM (CR) D-60
 - global registers 11-2
 - interrupt
 - level register (QILR) 11-2, D-47
 - vector register (QIVR) 11-2, D-47
 - test register (QTEST) 11-2
 - module configuration register (QSMCR) D-46
 - pin control registers 11-4
 - port QS
 - data
 - direction register (DDRQS) D-53
 - register (PORTQS) D-52
 - data direction register (DDRQS) 11-4
 - data register (PORTQS) 11-4
 - pin assignment register (PQSPAR) D-53
 - QSPI
 - control register 0 (SPCR0) D-54
 - control register 1 (SPCR1) D-56
 - control register 2 (SPCR2) D-57
 - control register 3 (SPCR3) D-58
 - status register (SPSR) D-58
 - receive data RAM (RR) D-59
 - SCI
 - control register 0 (SCCR0) D-48
 - control register 1 (SCCR1) D-49
 - data register (SCDR) D-52
 - status register (SCSR) D-51
 - test register (QTEST) D-47
 - transmit data RAM (TR) D-59
 - types 11-2
 - SCI 11-22
 - operation 11-26
 - pins 11-26
 - registers 11-23
 - QSMCR D-46
 - QSPI 11-1, 11-2, 11-5
 - block diagram 11-6
 - command RAM 11-9
 - enable (SPE) D-56
 - finished flag (SPIF) D-59
 - initialization operation 11-11
 - loop mode (LOOPQ) D-58
 - master operation flow 11-12
 - operating modes 11-10
 - master mode 11-10, 11-17
 - wraparound mode 11-20
 - slave mode 11-10, 11-21
 - wraparound mode 11-22
 - operation 11-9
 - peripheral chip-selects 11-22
 - pins 11-9
 - RAM 11-8
 - receive RAM 11-8
 - transmit RAM 11-8
 - registers 11-7
 - control registers 11-7
 - status register 11-7
 - timing A-23
 - master, CPHA = 0/CPHA = 1 A-24
 - slave, CPHA = 0/CPHA = 1 A-25
 - QTEST 11-2, D-47
 - Quadrature decode (QDEC) 14-10

Freescale Semiconductor, Inc.

Queue pointers
 completed queue pointer (CPTQP) 11-10
 end queue pointer (ENDQP) 11-10
 new queue pointer (NEWQP) 11-10
Queued
 output match (QOM) 14-11
Queued serial
 module (QSM). See QSM 11-1
 peripheral interface (QSPI) See QSPI. 11-1, 11-5

–R–

R/W 5-24
 field 5-66, D-21
RAF D-51, D-71
RAM
 array space (RASP) D-25
 base address lock (RLCK) bit D-25
RAMBAH 6-1, D-26
RAMBAL 6-1, D-26
RAMMCR 6-1, D-25
RAMTST 6-1, D-26
RASP 6-2, D-25
 encoding 6-2, D-25
RC
 DAC array 10-6
 low pass filter 10-16
RDR 11-26
RDRF 11-30, 12-22, D-51, D-71
RE 11-30, 12-4, 12-14, 12-21, D-50, D-70
Read
 /write signal (R/W) 5-24
 cycle 5-30
 flowchart 5-30
Receive
 data
 (RXD) pin — QSM 11-26
 register full (RDRF) D-51, D-71
 data (RXDA/B) pin 12-18
 data (RXDA/B) pins 12-18
 RAM 11-8
 time sample clock (RT) 11-28, 11-30, 12-19, 12-22
Receiver
 active (RAF) D-51, D-71
 data register (RDRF) flag 11-30, 12-22
 enable (RE) 11-30, 12-4, 12-14, 12-21, D-50, D-70
 interrupt enable (RIE) D-50, D-69
 wake-up (RWU) 11-31, 12-23, D-51, D-70
Register bit and field mnemonics 2-5
Relative addressing modes 4-10
RES10 10-7, D-39
RESET 5-40, 5-43, 5-51, 5-52
Reset
 exception processing 5-40
 module pin function out of reset 5-50
 operation in SCIM2 5-40
 control logic 5-40
 power-on 5-53
 processing summary 5-54
 states of pins assigned to other MCU modules 5-52

 status register (RSR) 5-16, 5-55
 timing 5-52
Resistor-divider chain 10-6
Resolution 10-7
Result registers 10-13
 format 10-14
Return-from-interrupt instruction (RTI) 4-40
RF 10-23
RF energy 10-14
RIE D-50, D-69
RJURR D-44
RLCK 6-1, D-25
RMAC 4-9
ROM array space (ASPC) D-28
ROMBAH 7-1, D-29
ROMBAL 7-1, D-29
ROMBS 7-1
ROMBS0-3 D-30
RR D-59
RS-232C terminal C-2
RSIGHI 7-1, 7-3, D-29
RSIGLO 7-1, 7-3, D-29
RSR 5-16, D-9
RT 11-30, 12-22
RTI 4-40
RWU 11-31, 12-23, D-51, D-70
RXD (QSM) 11-26
RXDA/B 12-17, 12-18

–S–

S 4-4, D-3
S8CM D-40
Sample
 capacitor 10-5
 time 10-7
 time selection (STS) field D-39
SAR 10-13
Saturate mode (SM) bit 4-4, D-3
SBK 11-29, 12-21, D-51, D-70
SCAN D-40
Scan mode selection (SCAN) D-40
SCBR D-48, D-67
SCCR 11-23
SCCR0 D-48
SCCR0A 12-14
SCCR0A/B D-67
SCCR0B 12-14
SCCR1 D-49
SCCR1A/B 12-17, D-68
SCDR 11-26, D-52
SCDRA/B 12-17, D-71
SCF D-44
SCI 11-1, 11-2, 11-17, 11-22, 12-1
 baud
 clock 11-27, 12-19
 rate D-48, D-67
 baud rate 12-19
 idle-line detection 11-31, 12-22
 internal loop 11-32, 12-23

Freescale Semiconductor, Inc.

- interrupt level (ILSCIA/B) D-63
- operation 11-26, 12-18
- parity checking 11-28, 12-20
- pins 12-17
- pins (QSM) 11-26
- receiver
 - block diagram
 - QSM 11-25
 - operation 11-30, 12-21
 - wakeup 11-31, 12-23
- receiver block diagram 12-16
- registers 11-23
 - control register 0 — MCCI (SCCR0A/B) D-67
 - control register 0 (SCCR0A/B) 12-14
 - control register 1 — MCCI (SCCR1A/B) D-68
 - control register 1 (SCCR1A/B) 12-17
 - control registers — QSM (SCCR) 11-23
 - data register
 - MCCI (SCDRA/B) D-71
 - QSM (SCDR) 11-26
 - data register (SCDRA/B) 12-17
 - status register
 - MCCI (SCSRA/B) D-70
 - QSM (SCSR) 11-26
 - status register (SCSRA/B) 12-17
- serial formats 12-19
- transmitter
 - block diagram
 - QSM 11-24
 - operation 11-28
- transmitter block diagram 12-15
- SCIA 12-2
- SCIB 12-2
- SCIM
 - reference manual 5-67
- SCIM2
 - address map D-4
 - block diagram 5-2
 - bus operation 5-28
 - chip-selects 5-60
 - external bus interface (EBI) 5-21
 - features 3-1
 - general purpose I/O ports 5-70
 - halt monitor 5-17
 - interrupt arbitration 5-3
 - interrupts 5-55
 - periodic interrupt timer 5-19
 - block diagram (with software watchdog) 5-19
 - register access 5-4
 - registers
 - chip-select
 - base address
 - register boot (CSBARBT) D-20
 - registers (CSBAR) 5-63, 5-64, D-20
 - option
 - register boot (CSORBT) D-21
 - registers (CSOR) 5-63, 5-65, D-21
 - pin assignment registers (CSPAR) 5-63, D-18
 - clock synthesizer control register (SYNCR) D-7
 - distributed register (DREG) D-24
 - master shift registers A/B (TSTMSRA/TSTMSRB) D-23
 - module configuration register (SCIMCR) 5-3, D-5
 - periodic interrupt
 - control register (PICR) D-15
 - timer register (PITR) 5-20, D-15
 - port A
 - data register (PORTA) D-9
 - port A data register (PORTA) 5-71
 - port A/B data direction register (DDRAB) 5-71, D-11
 - port B
 - data register (PORTB) D-9
 - port B data register (PORTB) 5-71
 - port C data register (PORTC) 5-66, D-17
 - port E
 - data direction register (DDRE) D-11
 - data register (PORTE) D-10
 - pin assignment register (PEPAR) D-11
 - port E data direction register (DDRE) 5-71
 - port E data register (PORTE) 5-71
 - port E pin assignment register (PEPAR) 5-72
 - port F
 - data direction register (DDRF) D-12
 - data registers (PORTF) D-12
 - pin assignment register (PFPAR) D-12
 - port F data direction register (DDRF) 5-72
 - port F data register (PORTF1, PORTF0) 5-72
 - port F edge-detect flag register (PORTFE) 5-74
 - port F edge-detect interrupt level register (PFLVR) 5-72, 5-74
 - port F edge-detect interrupt vector register (PFIVR) 5-72, 5-74
 - port F pin assignment register (PFPAR) 5-73
 - port G
 - data direction register (DDRG) D-10
 - data register (PORTG) D-10
 - port G data direction register (DDRG) 5-74
 - port G data register (PORTG) 5-74
 - port H
 - data direction register (DDRH) D-10
 - data register (PORTH) D-10
 - port H data direction register (DDRH) 5-74
 - port H data register (PORTH) 5-74
 - reset status register (RSR) D-9
 - single-chip
 - test register (SCIMTR) D-7
 - software service register (SWSR) D-16
 - system
 - protection control register (SYPCR) D-13
 - test register E (SCIM2TRE) D-9
 - test
 - module
 - repetition count register (TSTRC) D-24
 - shift count register (TSTSC) D-24
 - submodule control register (CREG) D-24
 - reset 5-40

- state of pins 5-51
- software watchdog 5-17
 - block diagram (with PIT) 5-17
 - spurious interrupt monitor 5-17
 - system
 - clock 5-4
 - block diagram 5-5
 - synthesizer operation 5-6
 - protection 5-16
- SCIM2TRE D-9
- SCIMCR 5-3, D-5
- SCIMTR D-7
- SCK 11-17, 11-21
 - actual delay before SCK (equation) 11-18
 - baud rate (equation) 11-18
- SCSR 11-26, D-51
- SCSRA/B 12-17, D-70
- Select eight-conversion sequence mode (S8CM) D-40
- Send break (SBK) 11-29, 12-21, D-51, D-70
- Separate program and data space map
 - M68HC16R1 3-23
 - M68HC916R1 3-25
- Sequence complete flag (SCF) D-44
- Serial
 - clock
 - baud rate (SPBR) D-55
 - frequency range 4-44
 - communication interface (SCI) 11-1, 11-22, 12-1
 - communication interface (SCI). See SCI 12-13
 - data word 4-44
 - formats 11-27, 12-19
 - interface clock signal (DSCLK) 4-44
 - mode (M) bit 11-27, 12-19
 - peripheral interface (SPI) 12-1
 - peripheral interface (SPI). See SPI 12-4
 - shifter 11-26, 11-28, 12-20
- Service
 - request breakpoint flag (SRBK) D-91
- Set (definition) 2-9
- Settling time 10-23
- SFA 13-19, D-83
- SFB 13-19, D-83
- SGLR D-94
- SHEN 5-39, D-6
- Show cycle
 - enable (SHEN) 5-4, 5-39, D-6
 - operation 5-39
- Signal
 - mnemonics 2-3
- Signature registers (RSIGHI/LO) 7-1
- Signed fractions 4-6
- SIMCR 10-3
- Single
 - channel conversions 10-10, D-42
 - step mode 13-4
- Single-chip integration module 2. See SCIM2 5-1
- Single-chip mode 5-48
- SIZ 5-24, 5-27, 5-40
- SIZE 12-12
- Size signals (SIZ) 5-24
 - encoding 5-24
- SK 4-3, 4-5
- Slave select signal (SS). See SS 11-21
- SLOCK D-8
- Slow reference circuit 5-5
- SM 4-4, 14-9, D-3
- Soft reset control field (SOFT_RST) D-95
- SOFT_RST D-95
- Software watchdog 5-17
 - block diagram 5-19
 - clock rate 5-18
 - enable (SWE) 5-17, D-13
 - prescale (SWP) 5-18, D-13
 - ratio of SWP and SWT bits 5-18
 - reset (SW) D-9
 - timeout period calculation 5-18, D-14
 - timing field (SWT) 5-18, D-13
- Source voltage level (VSRC) 10-23
- SP 4-3
- SPACE (address space select) 5-66, D-22
- SPBR D-55
- SPCR 12-6, D-72
- SPCR0 D-54
- SPCR1 D-56
- SPCR2 D-57
- SPCR3 D-58
- SPDR 12-6, D-74
- SPE 11-7, D-56
- SPI 12-1
 - block diagram 12-5
 - clock phase/polarity controls 12-9
 - finished flag (SPIF) D-73
 - interrupt level (ILSPI) D-65
 - mode fault 12-12
 - operating modes
 - master mode 12-7
 - slave mode 12-8
 - pins 12-7
 - registers
 - control register (SPCR) 12-6, D-72
 - data register (SPDR) 12-6, D-74
 - status register (SPSR) 12-6, D-73
 - serial clock baud rate 12-11
 - timing A-26
 - master, CPHA = 0/CPHA = 1 A-27
 - slave, CPHA = 0/CPHA = 1 A-28
 - transfer 12-6
 - transfer size and direction 12-12
 - write collision 12-12
- SPI finished interrupt enable (SPIFIE) D-57
- SPIF D-59, D-73
- SPIFIE D-57
- SPSR 12-6, D-58, D-73
- SPWM 14-8
- SRAM
 - address map D-25
 - array address mapping 6-1
 - features 3-1
 - normal access 6-2
 - registers

Freescale Semiconductor, Inc.

array base address register
 high (RAMBAH) 6-1, D-26
 low (RAMBAL) 6-1, D-26
module configuration register (RAMMCR) 6-1,
 D-25
test register (RAMTST) 6-1, D-26
reset 6-2
standby and low-power stop operation 6-2
SRBK D-91
SS 11-21, 11-22
Standard non-return to zero (NRZ) 11-2, 12-2, 12-13
Star-point ground system 10-17
Start
 bit (beginning of data frame) 12-18
Start bit (beginning of data frame) 11-26
State machine 11-30, 12-21
Stepper motor (SM) 14-9
STEXT 5-14, D-8
STF D-88
STOP 5-21, 10-4, 11-2, 12-2, 13-3, D-25, D-27, D-38,
 D-46, D-63, D-76, D-87
 enable (S) 4-4, D-3
Stop
 clocks to TCRs (CLKS) D-89
 enable (STOP) bit
 TPU 14-16
 flag (STF) D-88
 mode
 external clock (STEXT) 5-14, D-8
 SCIM clock (STSCIM) 5-14
 SCIM2 clock (STSCIM2) D-8
 prescaler (STOPP) D-76
 SCI end of data frame bit 11-26, 12-18
STOPP 13-4, D-76
STRB (address strobe/data strobe) bit 5-32, 5-66, D-22
Stress conditions 10-18
STS D-39
STSCIM 5-14
STSCIM2 D-8
Successive approximation register (SAR) 10-13
Supervisor
 /unrestricted data space (SUPV)
 ADC D-38
 GPT D-76
 MCCI D-63
 QSM D-47
 SCIM2 5-4, D-6
 TPU D-88
Supervisor/unrestricted data space (SUPV)
 MCCI 12-3
SUPV 12-3, D-6, D-38, D-47, D-63, D-76
SW D-9
SWE 5-17, D-13
SWP 5-18, D-13
SWSR D-16
SWT 5-18, D-13
Symbols 2-1
Synchronized pulse width modulation (SPWM) 14-8
Synchronous exceptions 4-39
SYNCR D-7

Synthesizer lock flag (SLOCK) D-8
SYPCR D-13
SYS D-9
System
 clock 5-4
 block diagram 5-5
 output (CLKOUT) 5-29
 sources 5-5
 frequencies
 16.78 MHz 5-12
 reset (SYS) D-9
 test register E (SCIM2TRE) D-9

–T–

T2CFILTER D-96
T2CG 14-15, D-88
T2CLK pin filter control (T2CFILTER) D-96
T2CSL D-89
Table stepper motor (TSM) 14-11
TC 11-29, 12-20, D-51, D-70
TCIE 11-30, 12-21, D-50, D-69
TCNT 13-1, 13-11, D-78
TCR D-89
TCR1P 14-14, D-87
TCR2 clock/gate control (T2CG) D-88
TCR2P D-87
TCTL D-80
TDR 11-26
TDRE 11-29, 12-20, D-51, D-70
TE 12-4, 12-14, D-50, D-70
Test submodule reset (TST) D-9
TFLG D-82
TFLG1 13-13
TFLG2 13-11
TI4/O5 D-80
TIC D-79
TICR 14-14, D-91
TIE 11-30, 12-21, D-50, D-69
Time
 processor unit. See TPU 14-1
Timer
 count register
 1 prescaler control (TCR1P) D-87
 2 prescaler control (TCR2P) D-87
 counter (TCNT) 13-11
 overflow
 flag (TOF) 13-11, D-82
 interrupt enable (TOI) bit D-81
 prescaler/PCLK select (CPR) field D-81
TMSK D-80
TMSK1 13-13
TMSK2 13-11
TOC D-79
TOF D-82
TOI 13-11, D-81
TPU
 A mask functions 14-6
 discrete input/output (DIO) 14-6
 input capture/input transition counter (ITC) 14-7

MC68HC16Y3/916Y3

USER'S MANUAL

**For More Information On This Product,
Go to: www.freescale.com**

MOTOROLA

I-15

Freescale Semiconductor, Inc.

output compare (OC) 14-7
period
 /pw accumulator (PPWA) 14-10
 measurement
 add transition detect (PMA) 14-8
 missing transition detect (PMM) 14-8
position-synch pulse generator (PSP) 14-9
pulse width modulation (PWM) 14-8
quadrature decode (QDEC) 14-10
stepper motor (SM) 14-9
synch pw modulation (SPWM) 14-8
address map D-86
block diagram 14-1
components 14-2
FREEZE flag (TPUF) D-91
function library 14-5
G mask functions 14-11
 brushless motor commutation (COMM) 14-13
 fast quadrature decode (FQD) 14-12
 frequency measurement (FQM) 14-13
 hall effect decode (HALLD) 14-13
 multichannel pulse width modulation (PCPWM)
 14-12
 new input capture/transition counter (NITC)
 14-11
 programmable time accumulator (PTA) 14-12
 queued output match (QOM) 14-11
 table stepper motor (TSM) 14-11
 universal asynchronous receiver/transmitter
 (UART) 14-13
host interface 14-3
interrupts 14-5
microengine 14-3
operation 14-4
 coherency 14-5
 emulation support 14-5
 event timing 14-4
 interchannel communication 14-4
 programmable channel service priority 14-5
overview 14-1
parameter RAM 14-3, D-96
 address map D-97
registers
 channel
 function select registers (CFSR) D-92
 interrupt
 enable register (CIER) 14-5, D-91
 status register (CISR) 14-5, D-94
 priority registers (CPR) D-93
 decoded channel number register (DCNR) D-94
development
 support control register (DSCR) D-89
 support status register (DSSR) D-90
host
 sequence registers (HSQR) D-92
 service request registers (HSSR) D-93
link register (LR) D-94
module configuration register (TPUMCR) D-87
service grant latch register (SGLR) D-94
test configuration register (TCR) D-89
 TPU interrupt configuration register (TICR) D-91
scheduler 14-3
time
 bases 14-2
 timer channels 14-2
TPU Reference Manual 14-3, 14-18
TPU2
 enable bit D-88
 module configuration register 2 (TPUMCR2) D-94
TPUF D-91
TPUMCR 14-14, D-87
TPUMCR2 14-14, D-94
TR D-59
Transfer length options 11-18
Transistion-sensitivity 5-56
Transmission
 complete
 (TC) flag 12-20
 interrupt enable (TCIE) 12-21
Transmit
 complete
 (TC) flag
 MCCI D-70
 QSM 11-29, D-51
 interrupt enable (TCIE)
 MCCI D-69
 QSM 11-30, D-50
 data
 (TXD) pin — QSM 11-26
 register empty (TDRE) flag 12-20
 MCCI D-70
 QSM 11-29, D-51
 data (TXDA/B) pins 12-18
 enable (TE)
 MCCI D-70
 QSM 11-28, D-50
 interrupt enable (TIE) 12-21
 MCCI D-69
 QSM 11-30, D-50
 RAM 11-8
Transmitter enable (TE) 12-4, 12-14, 12-20
TSM 14-11
TST D-9
TSTMSRA D-23
TSTMSRB D-23
TSTRC D-24
TSTSC D-24
Two/three wire transfers 12-4
Two's complement 4-6
TXD (QSM) 11-26
TXDA/B 12-17, 12-18

—U—

UART 12-2, 12-13, 14-13
Universal asynchronous receiver/transmitter (UART)
 12-2, 12-13, 14-13
Using the TPU Function Library and TPU Emulation
 Mode 14-5

Freescale Semiconductor, Inc.

-V-

V 4-4, D-3
VCF 10-23
VCO 5-7
VDD 5-53, 6-1
 ramp time 5-53
VDDA 10-1, 10-3, 10-14
VDDSYN 5-6, 5-53
Vector sources D-64
VI 10-23
VIH 10-2
VIL 10-2
Voltage
 controlled oscillator (VCO) 5-7
 frequency (fVCO) 5-7
 frequency ramp time 5-53
 limiting diodes 10-20
VPP C-2
VRH 10-1, 10-3, 10-14, 10-24
VRL 10-1, 10-3, 10-14, 10-24
VSRC 10-23
VSRC 10-23
VSSA 10-1, 10-3, 10-14
VSTBY 6-2

WRTO D-58

-X-

X D-8
 bit in SYNCR 5-7
XK 4-3, 4-5
XTRST (external reset) 5-41

-Y-

Y D-8
YK 4-3, 4-5

-Z-

Z 4-4
Zero flag (Z) 4-4
ZK 4-3, 4-5

-W-

W D-8
WAIT 7-3, D-28
Wait states field (WAIT) D-28
WAKE 11-32, 12-23, D-50, D-69
Wakeup
 address mark (WAKE) 11-32, 12-23, D-50, D-69
 functions 11-2
WCOL D-73
Wired-OR
 mode
 for QSPI pins (WOMQ) D-54
 for SCI pins (WOMS) 12-20
 MCCI D-69
 QSM 11-28, D-50
 open-drain outputs 12-12
WOMP 12-12
WOMQ D-54
WOMS 11-28, 12-20, D-50, D-69
Word composition 4-7
Wrap
 enable (WREN) D-58
 to (WRTO) D-58
Wraparound mode 11-7
 master 11-20
 slave 11-22
WREN D-58
Write
 collision 12-12
 collision (WCOL) D-73
Write cycle 5-30
 flowchart 5-31

MC68HC16Y3/916Y3
USER'S MANUAL

MOTOROLA
I-17

**For More Information On This Product,
Go to: www.freescale.com**

