



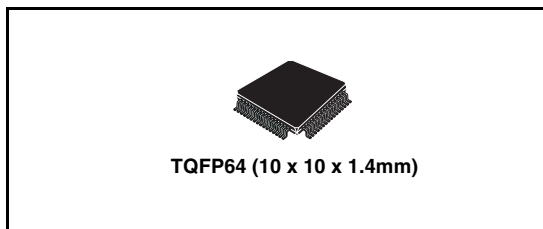
STA2051GO

Single Chip GPS Controller

DATA BRIEF

Features

- Suitable for hand held accessories, portable and personal navigation systems
 - ARM7TDMI 16/32 bit RISC CPU based host microcontroller running at a frequency up to 32 MHz.
 - Complete Embedded Memory System:
 - FLASH 256K bytes + 16K bytes (100K erasing/programming cycles)
 - RAM 64K bytes.
 - 12 channel GPS correlation DSP:
 - no TCXO required
 - RTCA-SC159 / WAAS / EGNOS support
 - GPS performance
 - accuracy: stand alone <30m; differential <1m; surveying <1cm
 - time to first fix: autonomous start 90s; cold start 45s; warm start 7s; obscuration 1s.
 - Power Supply:
 - 3.0V to 3.6V operating supply range for Input/Output periphery
 - 3.0V to 3.6V operating supply range for A/D Converter reference
 - 1.8V operating supply range for core supply provided by internal Voltage Regulator with external stabilization capacitor.
 - 32 programmable General Purpose I/O multiplexed with peripheral functions, each pin programmable independently as digital input or digital output.
- 4 Channels A/D for low frequency signal monitoring (temperature, battery....)
 - Real time clock module with 32 KHz low power oscillator and separate power supply to continue running during stand-by mode. 16-bit Watchdog Timer with 8 bits prescaler for system reliability and integrity.
 - Four Serial Communication Interfaces (UART) allow full duplex, asynchronous, communications with external devices, independently programmable TX and RX baud rates up to 625K baud.
 - One Serial Peripheral Interfaces (SPI) allow full duplex, synchronous communications with external devices, master or slave operation, max baud rate: 5.5Mb/s. One SPI may be used as Multimedia Card interface.
 - One I²C Interfaces provide multi-master and slave functions, support normal and fast I²C mode (400 KHz), 7/10 bit addressing modes.
 - Wake-up unit allows exiting from powerdown modes by detection of an event on one external pins or on internal Real Time Clock alarm.
 - -40°C to 85°C operating temperature range (guaranteed by correlation).



Order codes

Part number	Op. Temp. range °C	Package	Packing
STA2051GO	-40 to 85	TQFP64 (10x10x1.4mm)	Tube

Description

STA2051GO is an STMicroelectronics system-on-chip device featuring the full GPS controller functionality. It combines a high performance ARM7TDMI microprocessor with embedded high-speed single voltage FLASH and static RAM with enhanced peripherals and I/O capabilities. It also provides clock generation via PLL.

STA2051GO is software compatible with the ARM processor family. The device has an on-chip voltage regulator for the 1.8V core logic supply but 3.3V capable I/O lines.

Figure 1. System Block Diagram

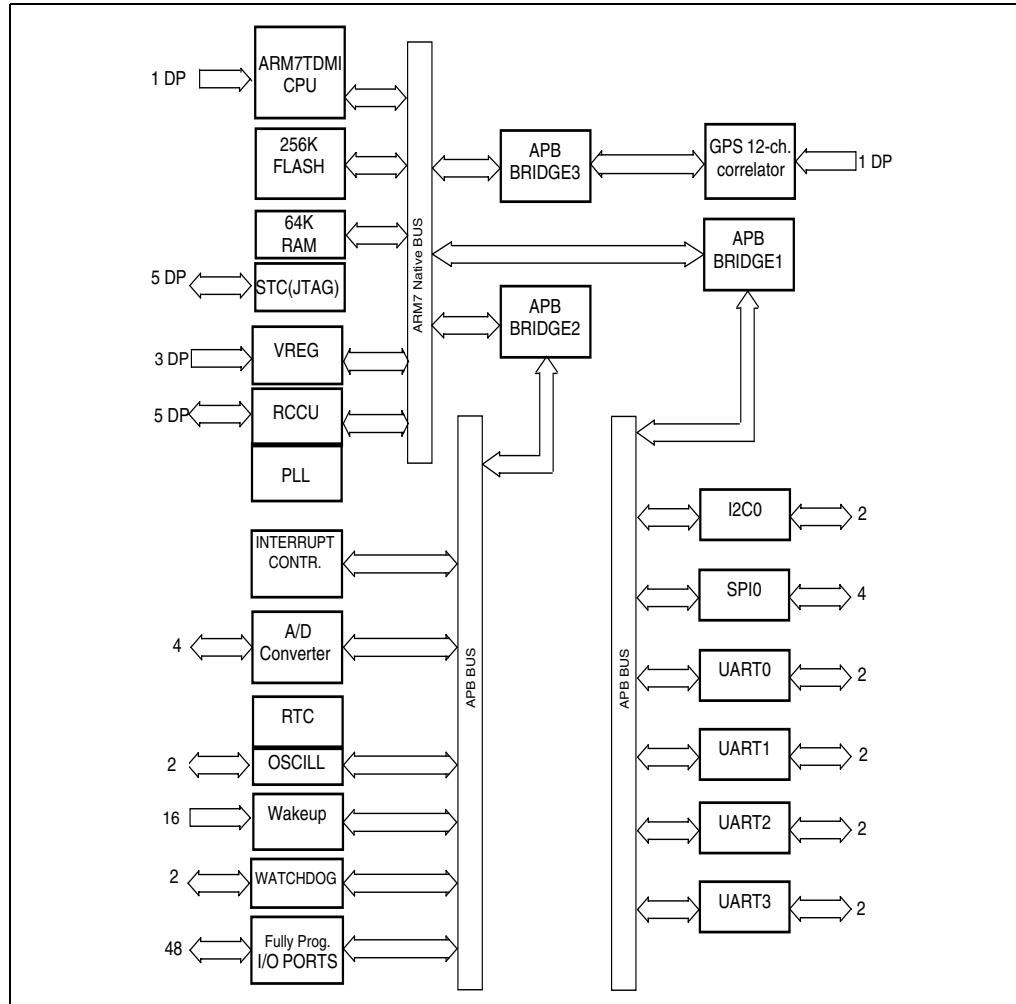
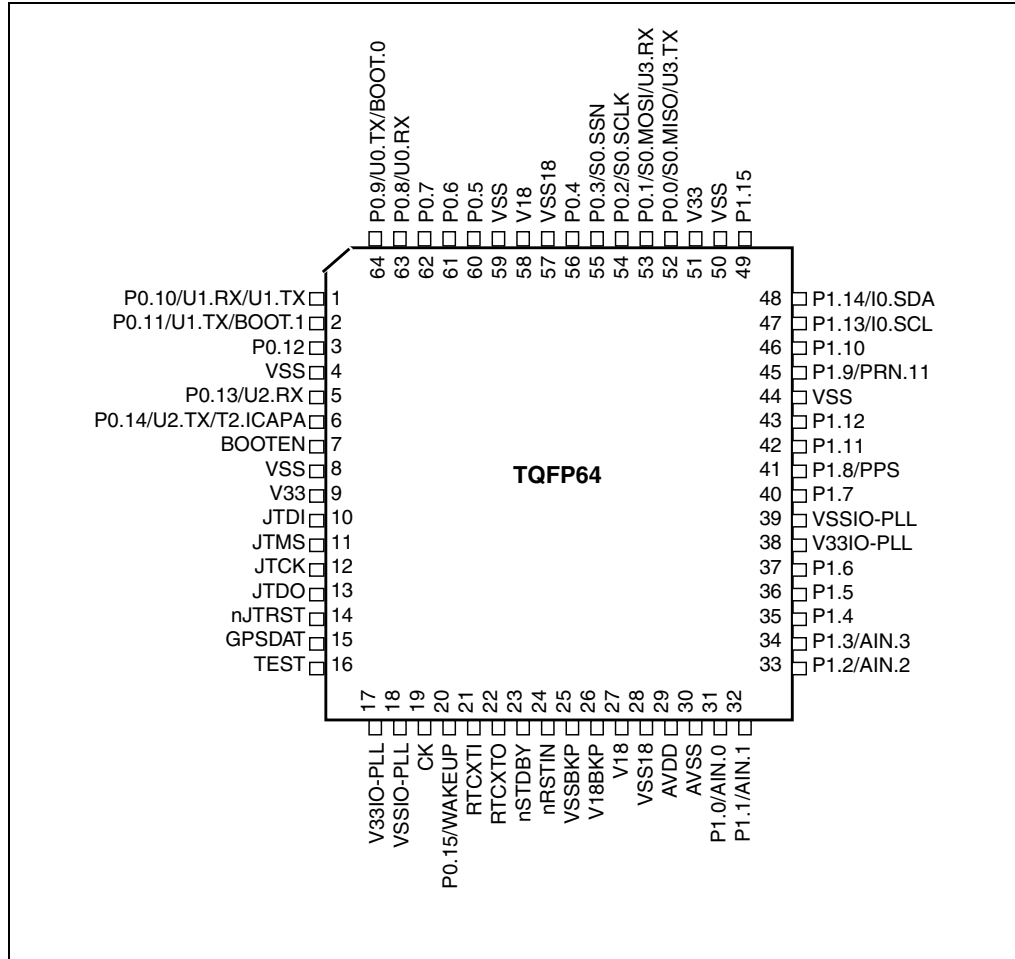


Figure 2. Pins connection (Top view)



Revision history

Table 1. Document revision history

Date	Revision	Changes
10-Jan-2006	1	Initial release.

Information furnished is believed to be accurate and reliable. However, STMicroelectronics assumes no responsibility for the consequences of use of such information nor for any infringement of patents or other rights of third parties which may result from its use. No license is granted by implication or otherwise under any patent or patent rights of STMicroelectronics. Specifications mentioned in this publication are subject to change without notice. This publication supersedes and replaces all information previously supplied. STMicroelectronics products are not authorized for use as critical components in life support devices or systems without express written approval of STMicroelectronics.

The ST logo is a registered trademark of STMicroelectronics.
All other names are the property of their respective owners

© 2006 STMicroelectronics - All rights reserved

STMicroelectronics group of companies

Australia - Belgium - Brazil - Canada - China - Czech Republic - Finland - France - Germany - Hong Kong - India - Israel - Italy - Japan -
Malaysia - Malta - Morocco - Singapore - Spain - Sweden - Switzerland - United Kingdom - United States of America

www.st.com