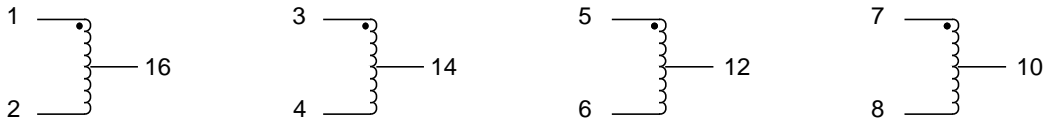


- Guaranteed to operate with 8 mA DC Bias •
- Complies with or exceeds IEEE 802.3 Standards •

Electrical Parameters @ 25° C

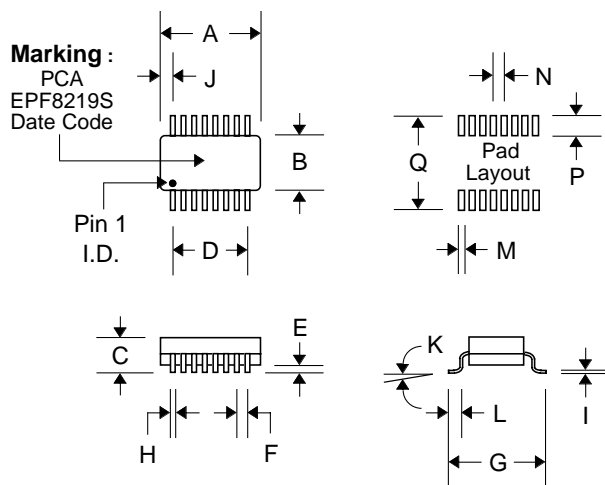
OCL (μH Min.)
100 KHz, 100m Vrms @ 8 mA DC Bias
350
Pins 1-2/3-4/5-6/7-8

Schematic



Pins 9, 11, 13, 15 not connected

Package



Dimensions

Dim.	(Inches)			(Millimeters)		
	Min.	Max.	Nom.	Min.	Max.	Nom.
A	.480	.500	.490	12.19	12.70	12.45
B	.260	.280	.270	6.60	7.11	6.86
C	---	.225	---	---	5.72	---
D	---	---	.350	---	---	8.89
E	.010	.015	.013	.254	.381	.330
F	---	---	.050	---	---	1.27
G	.355	.375	.365	9.02	9.53	9.27
H	.016	.022	.018	.406	.559	.457
I	.008	.013	.010	.203	.330	.254
J	.065	.075	.070	1.65	1.91	1.78
K	0°	8°	4°	0°	8°	4°
L	.025	.045	.035	.635	1.14	.889
M	---	---	.030	---	---	.762
N	---	---	.050	---	---	1.27
P	---	---	.092	---	---	2.34
Q	---	---	.460	---	---	11.68