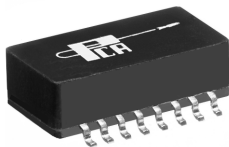


# 10/100Base-TX Voice Over IP Magnetic Module EPF8215SE



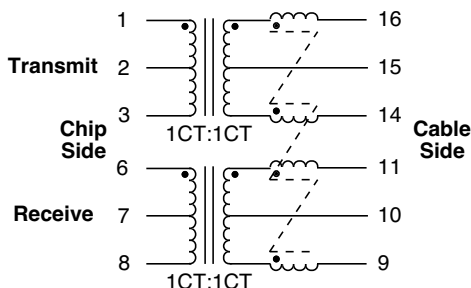
- Designed for IP Phone or Switch Applications
- Complies with IEEE 802.3, 10/100Base-TX Standards
- Operating Temperature : -40°C to +85°C
- Surface Mount Package
- 1500 Vrms Isolation

### Electrical Parameters @ 25° C

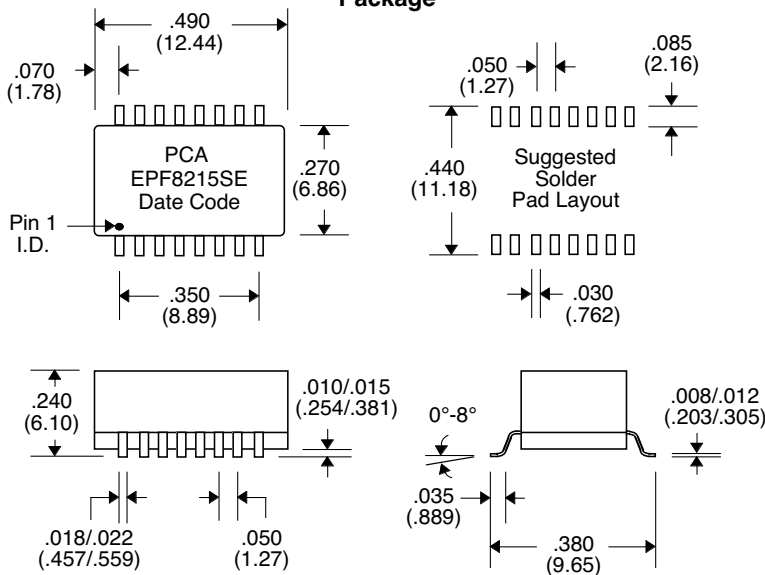
OCL ( $\mu$ H) @ 70°C	Insertion Loss (dB Max.)			Return Loss (dB Min.)			Common Mode Rejection (dB Min.)	Crosstalk (dB Min.)
	1-80 MHz	@ 100 MHz	@ 150 MHz	1-30 MHz	@ 60 MHz	@ 100 MHz		
100 KHz, 0.1 Vrms 8 mA DC Bias								
Cable Side	Xmit/Rcv	Xmit/Rcv	Xmit/Rcv	Xmit/Rcv	Xmit/Rcv	Xmit/Rcv	Xmit/Rcv	
350	-1/-1	-1/-1	-3/-3	-18/-18	-12/-12	-10/-10	-30/-30	-35

• Impedance : 100  $\Omega$  • Rise Time : 3.0 nS Max. •

### Schematic



### Package



Unless Otherwise Specified Dimensions are in Inches /mm  $\pm$  .010 / .25