

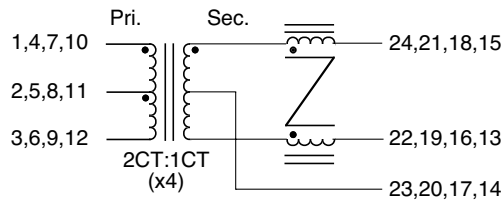
EPF8234F

- Robust construction allows IR/VP reflow processes
- 1500 Vrms Isolation

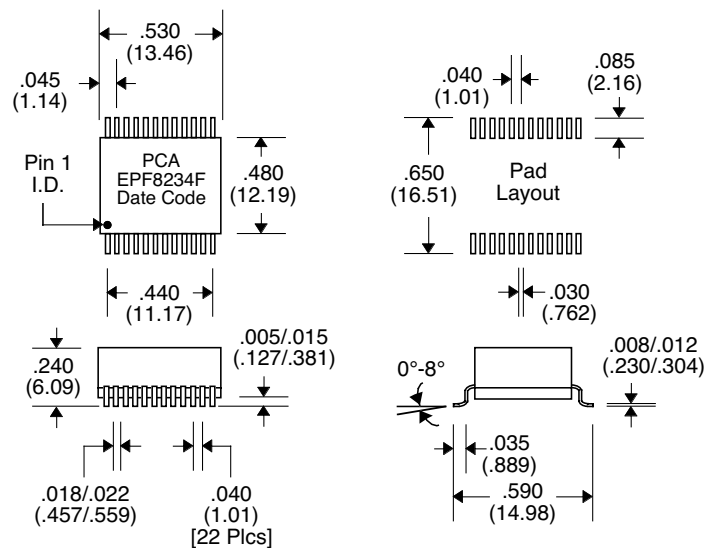
Electrical Parameters @ 25°C

Secondary OCL (μH Min.)	Leakage Inductance (μH Max.)	Interwinding Capacitance (pF Max.)	DCR (Ω Max.)	
@ 10 KHz, 0.1 Vrms	@ 10 KHz, 0.1 Vrms	@ 10 KHz, 0.1 Vrms		
		Pri. to Sec.	Pri.	Sec.
1.2	0.5	40	1.8	1.6
Pins 24-22, 21-19, 18-16, 15-13	Measure Sec. w/ Pri. shorted			

Schematic



Package



Unless Otherwise Specified Dimensions are in Inches /mm $\pm .010 / .25$