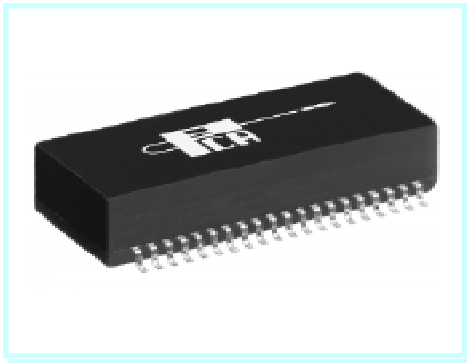


# 10/100 Base-X Quad-Phyter Module

## EPF8080S



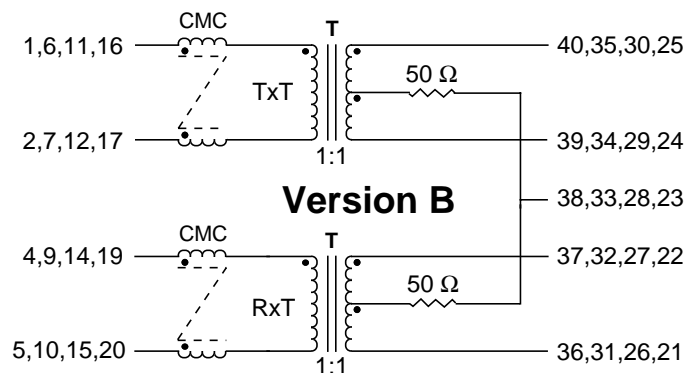
- Significantly improved Common Mode Attenuation •
- Guaranteed to operate with 8 mA DC bias at 70°C •
- Complies with or exceeds IEEE 802.3, 10 BT/100 BX Standards •

### Electrical Parameters @ 25° C

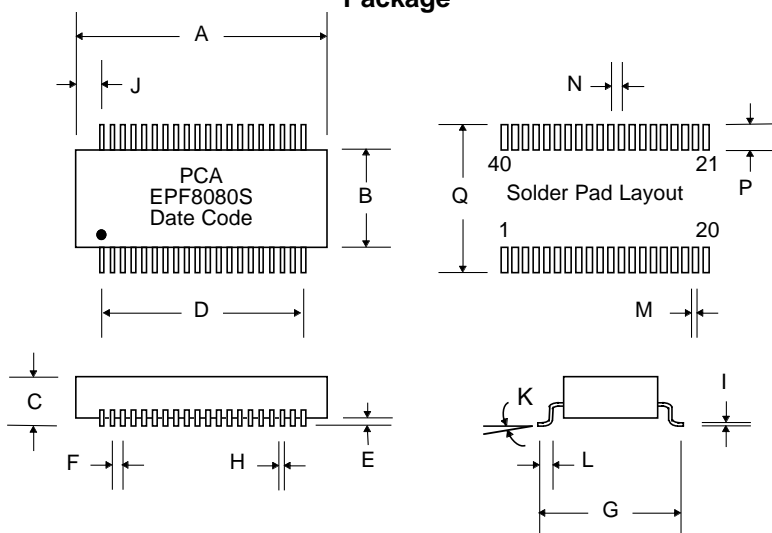
OCL @ 70°C	Insertion Loss (dB Max.)						Return Loss 100 ± 15 Ω (dB Min.)						Common Mode Rejection (dB Min.)						Crosstalk (dB Min.)			
	0.1-80 MHz		100 MHz		150 MHz		0.5-30 MHz		30-60 MHz		60-80 MHz		30-80 MHz		100-200 MHz		300 MHz			500 MHz		0.1-100 MHz
Media Side	Xmit	Rcv	Xmit	Rcv	Xmit	Rcv	Xmit	Rcv	Xmit	Rcv	Xmit	Rcv	Xmit	Rcv	Xmit	Rcv	Xmit	Rcv	Xmit	Rcv		
350µH	-1	-1	-1	-1	-3	-3	-18	-18	---	---	-14	-14	---	---	---	---	---	---	---	---	---	-38

- Isolation : 1500 Vrms • Impedance : 100 ohms • Rise Time : 3.0 nS Max. •

### Schematic



### Package



### Dimensions

Dim.	(Inches)			(Millimeters)		
	Min.	Max.	Nom.	Min.	Max.	Nom.
A	1.110	1.130		28.19	28.70	
B	.470	.490		11.94	12.45	
C	.235	.255		6.10	6.35	
D	.950	Typ.		24.13	Typ.	
E	.008	.012		.203	.305	
F	.050	Typ.		1.27	Typ.	
G	.580	.600		14.73	15.24	
H	.016	.022		.406	.559	
I	.008	.012		.203	.305	
J	.085	Typ.		2.16	Typ.	
K	0°	8°		0°	8°	
L	.025	.045		.635	1.14	
M			.030			.762
N			.050			1.27
P			.090			2.29
Q			.670			17.02