

# 10/100Base-TX Interface Module with Enhanced Common Mode Attenuation

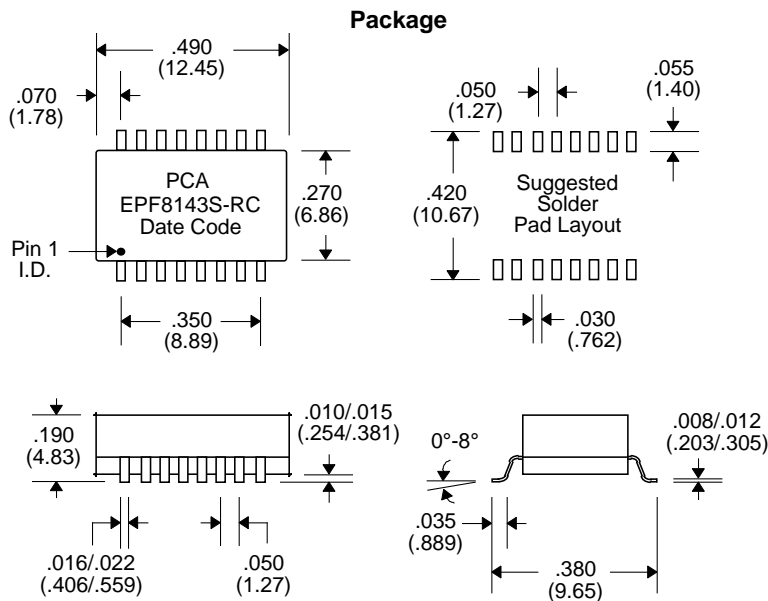
## EPF8143S-RC

- Designed to operate from 0°C to +70°C @ 8 mA DC Bias
- Complies with or exceeds IEEE 802.3 & ANSI X3.263 Standards
- Peak Solder Rating (see Note 2)
- RoHS Compliant

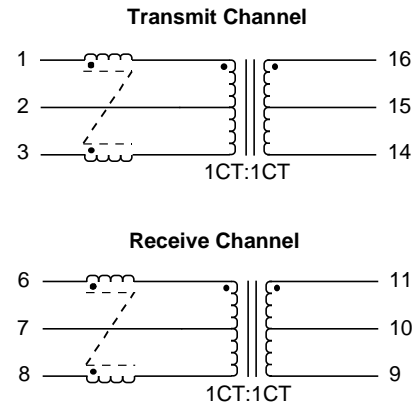
### Electrical Parameters @ 25° C

OCL @ 70°C	Insertion Loss (dB Max.)		Return Loss (dB Min.)			Common Mode Rejection (dB Min.)			Crosstalk (dB Min.)
	100 KHz, 0.1 Vrms 8 mA DC Bias	.1-100 MHz	150 MHz	1-30 MHz	60 MHz	100 MHz	1-30 MHz	30-100 MHz	
	Xmit/Rcv	Xmit/Rcv	Xmit/Rcv	Xmit/Rcv	Xmit/Rcv	Xmit/Rcv	Xmit/Rcv	Xmit/Rcv	Xmit/Rcv
350 μH	-1/-1	-3/-3	-18/-18	-12/-12	-10/-10	-40/-40	-35/-30	-10/-10	-35

• Isolation : 1500 Vrms • Impedance : 100 • Rise Time : 3.0 nS Max. •



### Schematic



Notes :	EPF8143S-RC
1. Lead Finish	Hot Dipped SAC
2. Peak Temperature Rating	245°C
3. Moisture Sensitive Levels	MSL = 3
4. Weight	0.912 grams
5. Packaging Information	(Tube) 40 pieces/tube (Tape & Reel) 650 pieces/13" reel

Unless Otherwise Specified Dimensions are in Inches /mm ± .010 / .25