

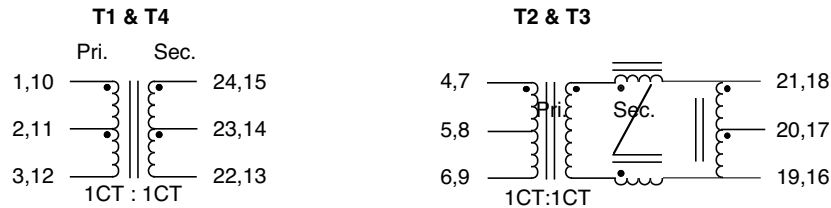
## EPF8195F1

- Robust construction allows IR/VP reflow processes
- 1500 Vrms Isolation

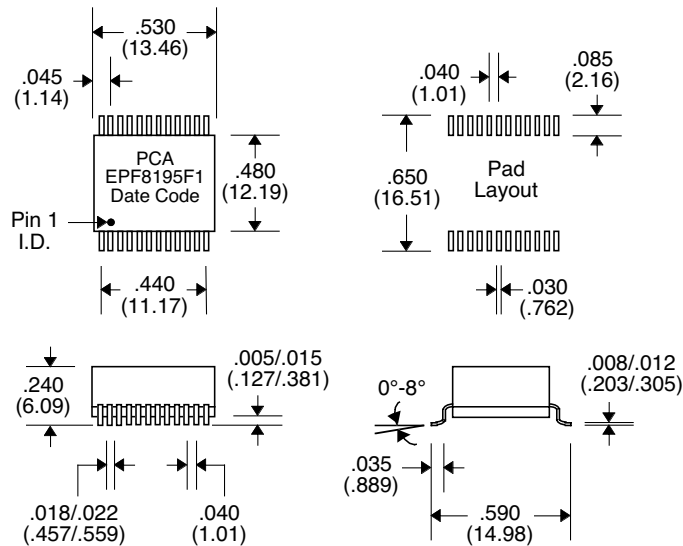
### Electrical Parameters @ 25° C

OCL ( $\mu$ H Min.) 8 mA DC bias	Primary Leakage Inductance ( $\mu$ H Max.)	Interwinding Capacitance (pF Max.)	Primary DCR ( $\Omega$ Max.)	
			Pri.	Sec.
@ 100 KHz, 0.1 Vrms	@ 100 KHz, 0.1 Vrms	@ 100 KHz, 0.1 Vrms	T1 to T4	T2 & T3
350	0.25	40	1	2.8
Pins 24-22, 21-19, 18-16, 15-13			Pins 1-3, 4-6, 7-9, 10-12	Pins 21-19, 18-16

### Schematic



### Package



Unless Otherwise Specified Dimensions are in Inches /mm  $\pm .010 / .25$