



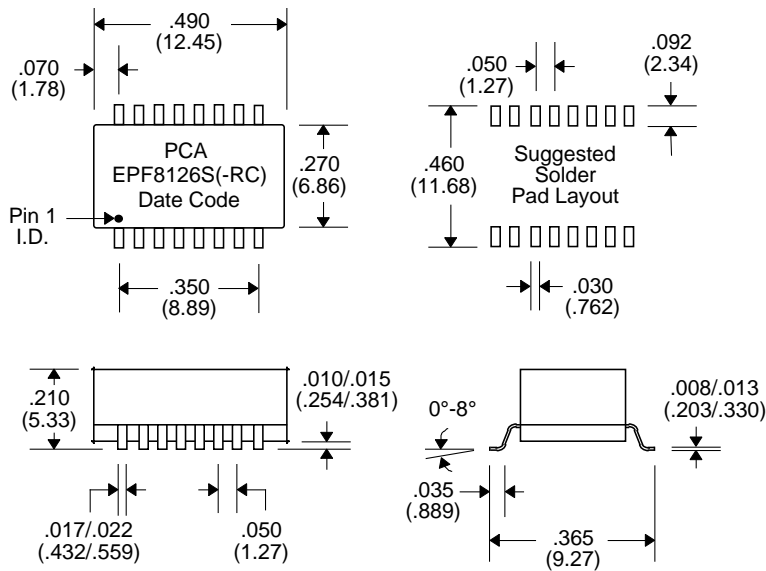
- Recommended for use with AM79C874 & TDK78Q2120 Chips
- Complies with or exceeds IEEE 802.3, 10/100Base-TX Standards
- Add "-RC" after part number for RoHS Compliant
- Operating Temperature : 0°C to +70°C
- Isolation : 1500 Vrms

Electrical Parameters @ 25° C

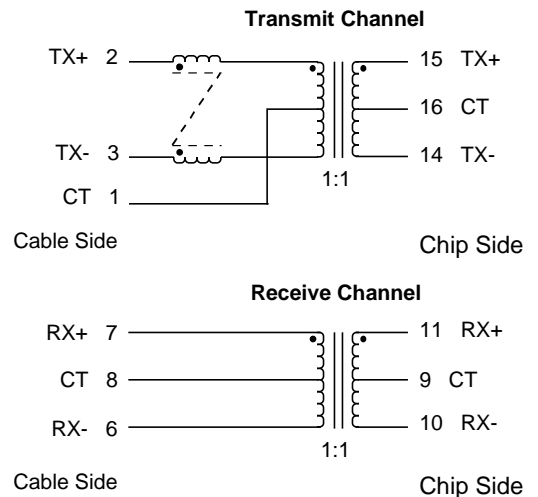
OCL @ 70°C	Insertion Loss (dB Max.)						Return Loss (dB Min.)						Common Mode Rejection (dB Min.)				
	1-80 MHz		80-100 MHz		100-150 MHz		1-30 MHz		30-60 MHz		60-100 MHz		1-30 MHz	30-100 MHz	100-200 MHz	200-300 MHz	300-500 MHz
Cable Side	Xmit	Rcv	Xmit	Rcv	Xmit	Rcv	Xmit	Rcv	Xmit	Rcv	Xmit	Rcv	Xmit	Xmit	Xmit	Xmit	Xmit
350µH	-1	-1	-1	-1	-2	-2	-18	-18	-12	-12	-10	-10	-45	-40	-30	-20	-10

• Crosstalk : -35 dB Min., 1-100 MHz • Impedance : 100 •

Package



Schematic



Notes :	EPF8126S	EPF8126S-RC
1. Assembly Process (Solder Composition)	(Leadframe) SnPb	Sn
	(Assembly Solder) SnPb	SnPb (RoHS exemption 7a)
2. Peak Solder Rating (per IPC/JEDEC-J-STD-020C)	225°C	260°C
3. Moisture Sensitive Levels (MSL) (per IPC/JEDEC-J-STD-020C)	3 (168 hours, 30°C/60%RH)	4 (96 hours, 30°C/60%RH)
4. Weight	0.812 grams	0.182 grams
5. Packaging Information (*Add "TR" to end of part number when placing order)	(Tube) 40 pieces/tube	40 pieces/tube
	(Tape & Reel) 650 pieces/13" reel (*EPF8126S-TR)	650 pieces/13" reel (*EPF8126S-RCTR)

Unless Otherwise Specified Dimensions are in Inches /mm ± .010 / .25