

10/100Base-TX Interface Module for PC Card Applications EPF8125S & EPF8125S-RC

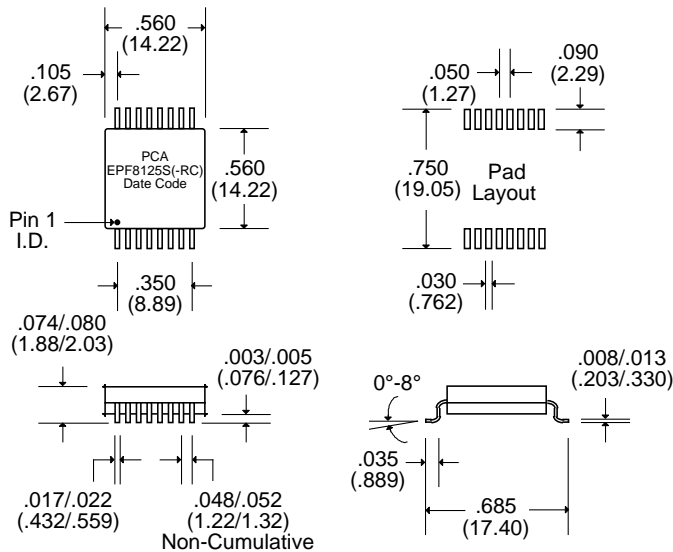
- Recommended for use with SSI 78Q2120 chips
- Low profile, fully integrated with two channels
- Add "-RC" after part number for RoHS Compliant
- Guaranteed to operate with 8 mA DC bias at 70°C
- Complies with or exceeds IEEE 802.3, 10/100Base-TX Standards

Electrical Parameters @ 25° C

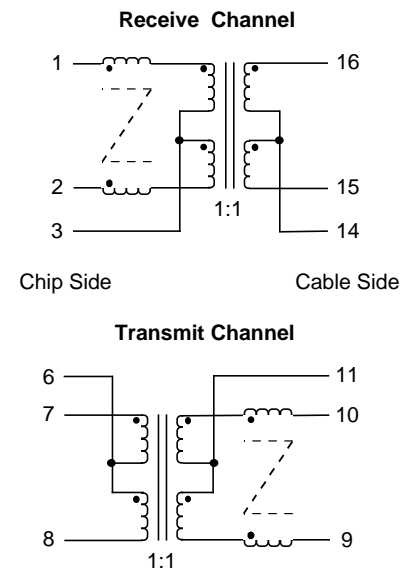
| OCL @ 70°C | Insertion Loss (dB Max.) | | | Return Loss (dB Min.) | | | Common Mode Rejection (dB Min.) | | | Crosstalk (dB Min.) Between Channels | | |
|---------------|--------------------------------------|---------------|------------|--------------------------|-----------|-----------|------------------------------------|-------------|------------|--|-------------|---------------|
| | 100 KHz, 0.1 Vrms 8 mA DC Bias | 0.1-80 MHz | 100 MHz | 150 MHz | 30 MHz | 60 MHz | 100 MHz | 1-30 MHz | 100 MHz | 500 MHz | 5-10 MHz | 10-100 MHz |
| | Cable Side | Xmit/Rcv | Xmit/Rcv | Xmit/Rcv | Xmit/Rcv | Xmit/Rcv | Xmit/Rcv | Xmit/Rcv | Xmit/Rcv | Xmit/Rcv | | |
| | 350 µH | -1/-1 | -1/-1 | -3.5/-3.5 | -18/-18 | -12/-12 | -10/-10 | -30/-30 | -25/-25 | -10/-10 | -40 | -40 |

• Isolation : 1500 Vrms • Impedance : 100 • Rise Time : 3.0 nS Max. •

Package



Schematic



| Notes : | EPF8125S | EPF8125S-RC |
|--|--|--|
| 1. Assembly Process (Solder Composition) | (Leadframe) SnPb | Sn |
| | (Assembly Solder) SnPb | SnPb (RoHS exemption 7a) |
| 2. Peak Solder Rating (per IPC/JEDEC J-STD-020C) | 225°C | 260°C |
| 3. Moisture Sensitive Levels (MSL) (per IPC/JEDEC J-STD-020C) | 3 (168 Hours, 30°C/60%RH) | 4 (72 Hours, 30°C/60%RH) |
| 4. Weight | TBD grams | TBD grams |
| 5. Packaging Information | (Tube) 38 pieces/tube | 38 pieces/tube |
| | (Tape & Reel) 600 pieces/13" reel (*EPF8125S-TR) | 600 pieces/13 reel (*EPF8125S-RCTR) |

Unless Otherwise Specified Dimensions are in Inches /mm ± .010 / .25