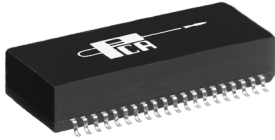


EPF8123SP



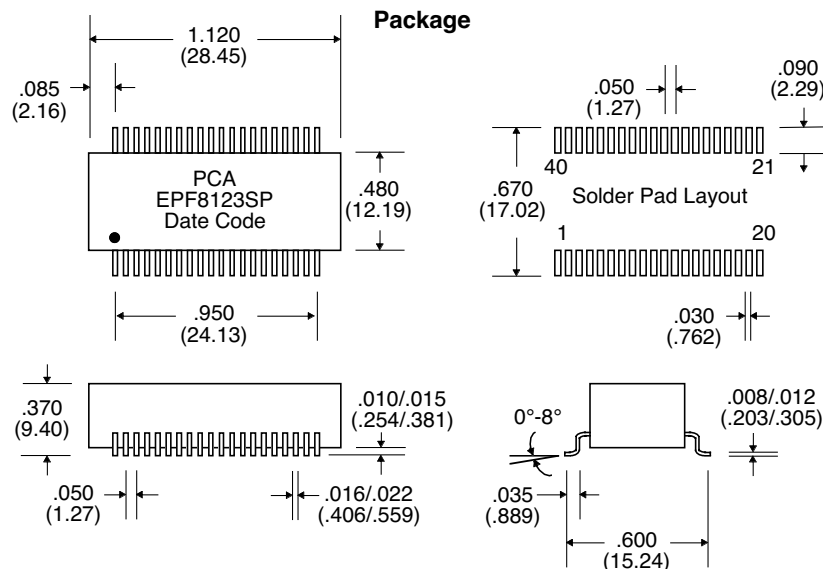
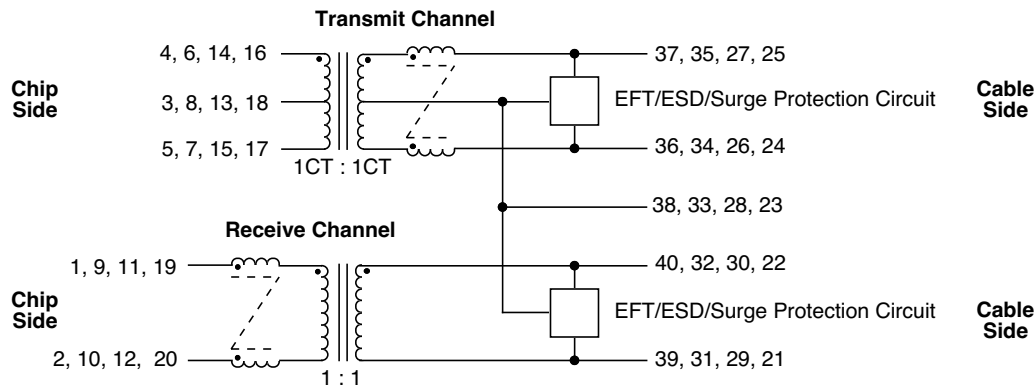
- Recommended for use with SEEQ 84220 Chip
- Significantly Improved Common Mode Attenuation
- Guaranteed to operate with 8 mA DC Bias at 70°C
- Cable Side Surge, EFT and ESD Protection Included
- Complies with or exceeds IEEE 802.3, 10/100Base-TX Standards

Electrical Parameters @ 25° C

OCL (μ H Min.)	Insertion Loss (dB Max.)		Return Loss (dB Min.)			Common Mode Rejection (dB Min.)				Crosstalk* (dB Min.)
	1-80 MHz	150 MHz	1-30 MHz	60 MHz	100 MHz	30-100 MHz	200 MHz	300 MHz	500 MHz	
100 KHz, 0.1 Vrms 8 mA DC Bias										
Cable Side	Xmit/Rcv	Xmit/Rcv	Xmit/Rcv	Xmit/Rcv	Xmit/Rcv	Xmit/Rcv	Xmit/Rcv	Xmit/Rcv	Xmit	
350	-1/-1	-3/-3	-18/-18	-12/-12	-10/-10	-30/-20	-20/-15	-20/-10	-10	-30

• Isolation : 1500 Vrms • Cable Side Impedance : 100 Ω • Rise Time : 3.0 nS Max. •

Schematic



Unless Otherwise Specified Dimensions are in Inches /mm \pm .010 / .25