



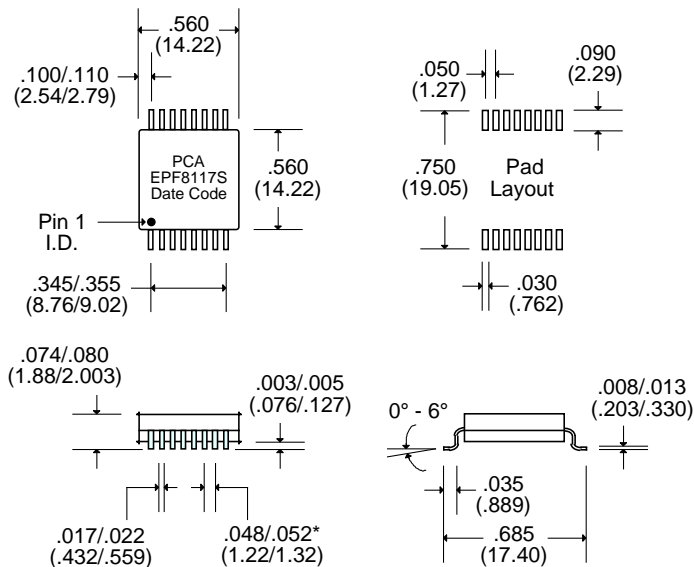
- Recommended for use with SSI 78Q2120
- Low Profile, Fully Integrated with Two Channels
- Guaranteed to operate with 8 mA DC bias at 70°C
- Complies with or exceeds IEEE 802.3, 10/100Base-TX Standards

Electrical Parameters @ 25° C

OCL (@ 70°C)	Insertion Loss (dB Max.)			Return Loss (dB Min.)			Common Mode Rejection (dB Min.)			Crosstalk (dB Min.) [Between Channels]	
	1-80 MHz	@ 100 MHz	150 MHz	@ 30 MHz	@ 60 MHz	@ 100 MHz	1-30 MHz	@ 100 MHz	@ 500 MHz	5-10 MHz	@ 100 MHz
100 KHz, 0.1 Vrms 8 mA DC Bias	Xmit/Rcv	Xmit/Rcv	Xmit/Rcv	Xmit/Rcv	Xmit/Rcv	Xmit/Rcv	Xmit/Rcv	Xmit/Rcv	Xmit/Rcv		
Cable Side	Xmit/Rcv	Xmit/Rcv	Xmit/Rcv	Xmit/Rcv	Xmit/Rcv	Xmit/Rcv	Xmit/Rcv	Xmit/Rcv	Xmit/Rcv		
350 μ H	-1/-1	-1/-1	-3.5/-3.5	-18/-18	-12/-12	-10/-10	-30/-30	-25/-25	-10/-10	-40	-40

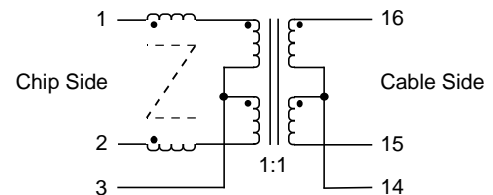
• Isolation : 1500 Vrms • Impedance : 100 • Rise Time : 3.0 nS Max. •

Package

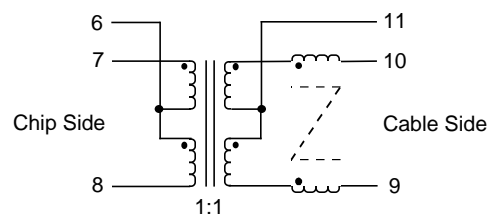


Schematic

Receive Channel



Transmit Channel



Unless Otherwise Specified Dimensions are in Inches /mm \pm .010 / .25