

# 10/100 LAN Interface Module for PC Card Applications

## EPF8112S-1

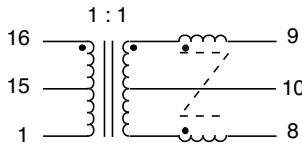
- Recommended for use with SSI78Q2120 •
- Very Low profile (PCMCIA), 16 pin SOIC •
- Guaranteed to operate with 8 mA DC bias at 70°C •
- Complies with or exceeds IEEE 802.3, 10 BT/100 BX Standards •

### Electrical Parameters @ 25° C

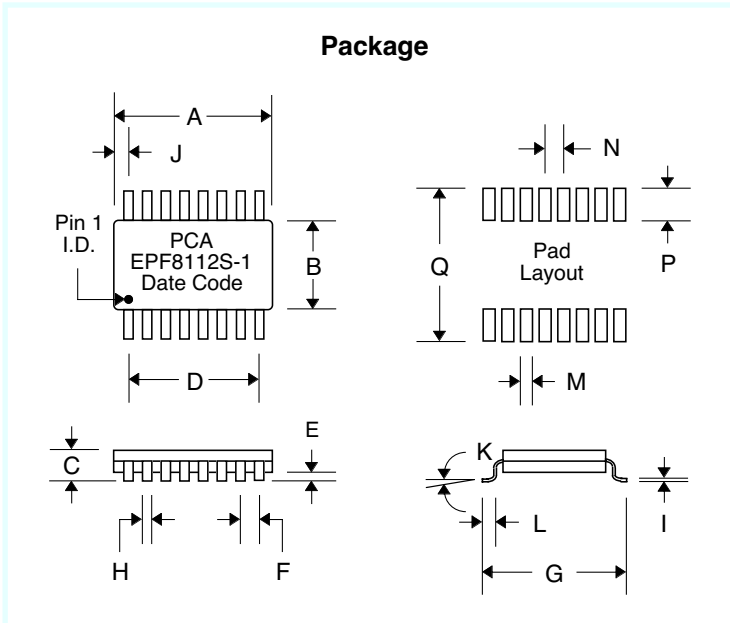
OCL @ 70°C	Insertion Loss (dB Max.)			Return Loss (dB Min.)			Common Mode Rejection (dB Min.)		
	100 KHz, 0.1 Vrms 8 mA DC Bias	1-80 MHz	80-100 MHz	100-150 MHz	1-30 MHz	30-60 MHz	60-100 MHz	1-100 MHz	100-200 MHz
<b>Cable Side</b>									
350μH	-1	-1	-2	-18	-12	-10	-30	-10	

• Isolation : 1500 Vrms • Impedance : 100 Ω • Rise Time : 3.0 nS Max. •

### Schematic



### Package



### Dimensions

Dim.	(Inches)			(Millimeters)		
	Min.	Max.	Nom.	Min.	Max.	Nom.
A	.480	.500		12.19	12.70	
B	.260	.280		6.60	7.11	
C	.074	.080		1.88	1.96	
D	.350	Typ.		8.89	Typ.	
E	.003	.020		.076	.508	
F	.050	Typ.		1.27	Typ.	
G	.355	.375		9.02	9.53	
H	.018	.022		.457	.559	
I	.008	.012		.203	.305	
J	.070	Typ.		1.78	Typ.	
K	0°	4°		0°	4°	
L	.025	.035		.635	.889	
M			.030			.762
N			.050			1.27
P			.085			2.16
Q			.400			10.16