

# 10/100Base-TX Interface Module for NIC/HUB Applications

## EPF8119SER

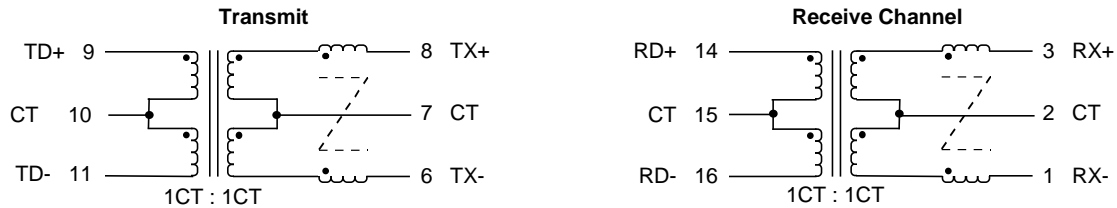
- Robust construction allows for toughest soldering processes
- Guaranteed to operate with 8 mA DC bias at 70°C on Cable Side
- Complies with or exceeds IEEE 802.3, 10/100Base-TX Standards
- Operating Temperature : -40°C to +85°C
- Storage Temperature : -40°C to +125°C
- 1500 Vrms Isolation

### Electrical Parameters @ 25° C

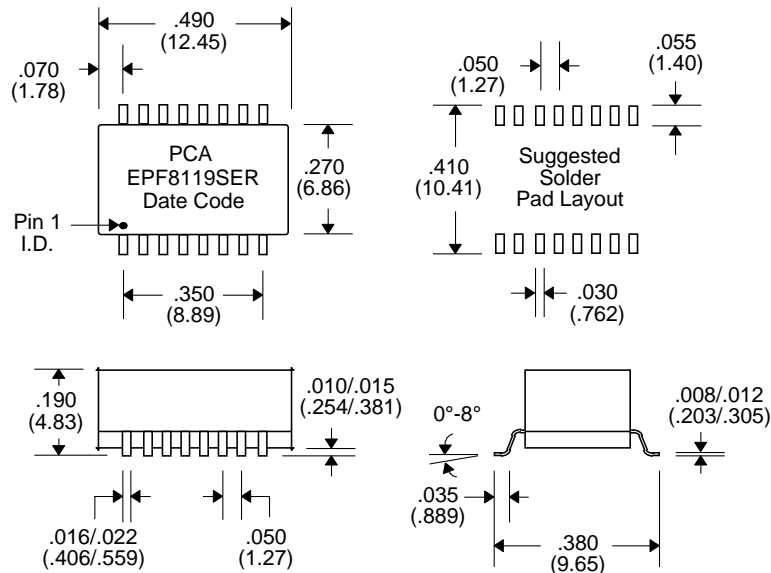
OCL @ 70°C	Insertion Loss (dB Max.)		Return Loss (dB Min.)			Common Mode Rejection (dB Min.)			Crosstalk (dB Min.) Between Channels	
	1-80 MHz	@ 100 MHz	1-30 MHz	30-60 MHz	60-100 MHz	1-30 MHz	30-100 MHz	100-500 MHz	1-10 MHz	10-100 MHz
100 KHz, 0.1 Vrms 8 mA DC Bias										
<b>Cable Side</b>	Xmit/Rcv	Xmit/Rcv	Xmit/Rcv	Xmit/Rcv	Xmit/Rcv	Xmit/Rcv	Xmit/Rcv	Xmit/Rcv		
350 μH	-1/-1	-1.5/-1.5	-18/-18	-12/-12	-10/-10	-40/-40	-30/-30	-10/-10	-40	-35

• Impedance : 100 Xmit / 100 Rcv • Rise Time : 3.0 nS Max. •

### Schematic



### Package



Unless Otherwise Specified Dimensions are in Inches /mm ± .010 / .25