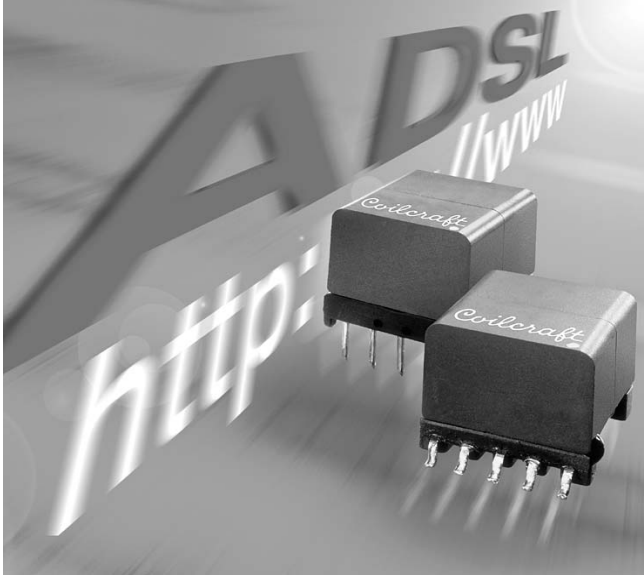


ADSL Transformers

For Alcatel, Motorola
and TI chip sets



This product is not RoHS-compliant. Contact Coilcraft for current status or possible alternatives.

These transformers have been designed to provide optimum performance with the ADSL chip sets from a variety of leading manufacturers.

They feature a compact size, minimum DC resistance and very low leakage inductance. Primary inductance is stable from -40°C to +85°C and the longitudinal balance is optimized for the best overall performance at the ADSL transmission speed. Most parts have been designed to meet UL 1950 requirements.

For free evaluation samples or to discuss custom designs, please contact Coilcraft.

Part number	Style	Chip set	Line side inductance (mH)	Leakage inductance max (µH)	DCR max (Ohms)	
					Chip side	Line side
AS8426-A	Leaded	Alcatel DynaMiTe MTK-20140	0.410 ± 10%	6.5	0.130 (10-8), 0.095 (9-7)	0.200 (1-3, 2-4)
AS8446-A	SMT	Alcatel DynaMiTe MTK-20140	0.410 ± 10%	6.5	0.130 (10-8), 0.095 (9-7)	0.200 (1-3, 2-4)
AS8696-B	Leaded	Alcatel DynaMiTe MTK-20140	0.442 ± 5%	5.0	0.375 (10-8), 0.310 (9-7)	0.425 (1-3, 2-4)
AS8697-B	SMT	Alcatel DynaMiTe MTK-20140	0.442 ± 5%	5.0	0.375 (10-8), 0.310 (9-7)	0.415 (1-3, 2-4)
AS8425-A	Leaded	Motorola MC145660/MS143462SK	3.96 ± 5%	18	2.42 (10-6), 1.87 (9-7)	2.53 (1-4, 2-5)
AS8397-B	SMT	Motorola MC145660/MS143462SK	3.96 ± 5%	18	2.42 (10-6), 1.87 (9-7)	2.53 (1-4, 2-5)
AS8578-A	Leaded	TI TNETD4000R/3000R	1.5 ± 5%	18	0.800 (1-4)	3.75 (10-7)
AS8579-A	SMT	TI TNETD4000R/3000R	1.5 ± 5%	18	0.800 (1-4)	3.75 (10-7)

Part number	Dielectric strength (V)	Turns ratio line:chip	Capacitance max (pF)	Longitudinal balance min (dB)	THD @ 20 kHz typ (dB)	Designed to meet
AS8426-A	3000	2:1	N/A	45 (30 kHz - 1.1 MHz)	-77	UL 1950
AS8446-A	2300	2:1	N/A	45 (30 kHz - 1.1 MHz)	-77	UL 1950
AS8696-B	3000	1:1	N/A	45 (30 kHz - 1.1 MHz)	-84	UL 1950
AS8697-B	2300	1:1	N/A	45 (30 kHz - 1.1 MHz)	-84	UL 1950
AS8425-A	1875	1.2:1	N/A	40 (20 kHz - 1.1 MHz)	-92	UL 1950
AS8397-B	1875	1.2:1	N/A	40 (20 kHz - 1.1 MHz)	-92	UL 1950
AS8578-A	1875	1.42:1	35.0	40 (20 kHz - 1.1 MHz)	-85	UL 1950
AS8579-A	1875	1.42:1	35.0	40 (20 kHz - 1.1 MHz)	-85	UL 1950

1. All electrical specifications referenced to line side.
2. Operating temperature range -40°C to +85°C.
3. Electrical specifications at 25°C.

Coilcraft[®]

Specifications subject to change without notice.
Please check our website for latest information.

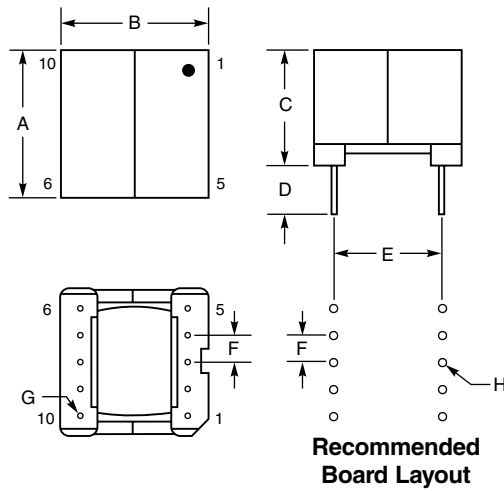
Document 222-1 Revised 1/11/01

1102 Silver Lake Road Cary, Illinois 60013 Phone 847/639-6400 Fax 847/639-1469

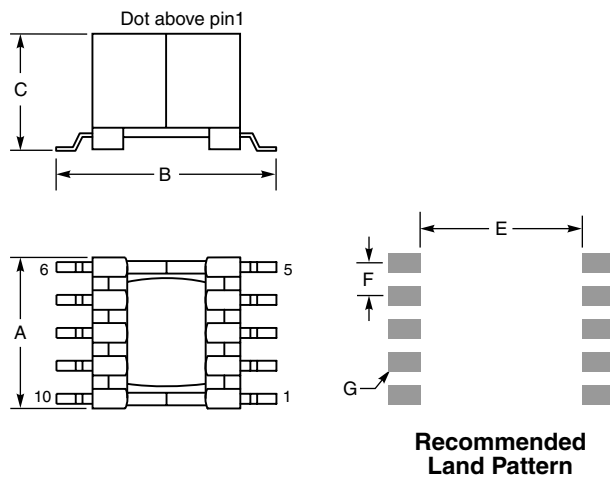
E-mail info@coilcraft.com Web <http://www.coilcraft.com>

ADSL Transformers for Alcatel, Motorola, TI

Leaded Transformers



Surface Mount Transformers

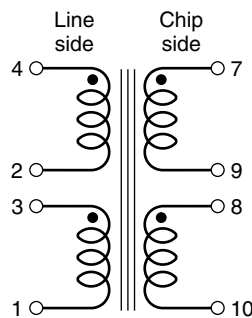


A max	B max	C max	D min	E	F typ	G dia	H dia
0.550	0.550	0.500	0.100	0.400	0.100	0.013	0.032
13,97	13,97	12,70	2,54	10,16	2,54	0,33	0,82

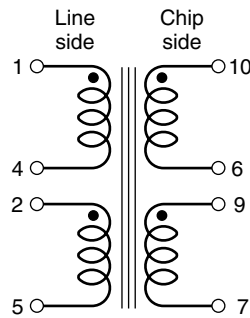
A max	B max	C max	E	F typ	G typ
0.530	0.699	0.500	0.590	0.098	0.050 × 0.061
13,46	17,75	12,70	14,99	2,50	1,27 × 1,55

Schematics

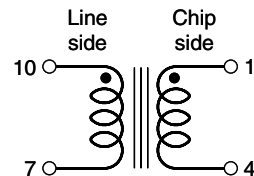
AS8426-A, AS8446-A
AS8696-B, AS8697-B



AS8425-A, AS8397-B



AS8578-A, AS8579-A



Specifications subject to change without notice.
Please check our website for latest information. Document 222-2 Revised 11/10/04

1102 Silver Lake Road Cary, Illinois 60013 Phone 847/639-6400 Fax 847/639-1469
E-mail info@coilcraft.com Web http://www.coilcraft.com