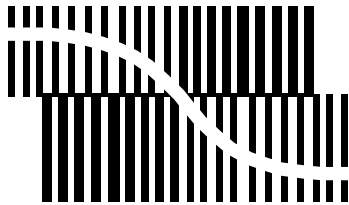


# DATA SHEET



BITSTREAM CONVERSION

## **UDA1345TS** Economy audio CODEC

Product specification  
Supersedes data of 2000 Dec 19

2002 May 28

**Economy audio CODEC****UDA1345TS**

|                 |      |  |
|-----------------|------|--|
| <b>CONTENTS</b> | 8    | <b>LIMITING VALUES</b>   |
| 1               | 9    | <b>THERMAL CHARACTERISTICS</b>   |
| 1.1             | 10   | <b>DC CHARACTERISTICS</b>  |
| 1.2             | 11   | <b>AC CHARACTERISTICS (ANALOG)</b>   |
| 1.3             | 12   | <b>AC CHARACTERISTICS (DIGITAL)</b>  |
| 1.4             | 13   | <b>APPLICATION INFORMATION</b>   |
| 2               | 14   | <b>PACKAGE OUTLINE</b>   |
| 3               | 15   | <b>SOLDERING</b>   |
| 4               | 15.1 | Introduction to soldering surface mount packages                               |
| 5               | 15.2 | Reflow soldering   |
| 6               | 15.3 | Wave soldering   |
| 7               | 15.4 | Manual soldering   |
| 7.1             | 15.5 | Suitability of surface mount IC packages for wave and reflow soldering methods |
| 7.2             | 16   | <b>DATA SHEET STATUS</b>   |
| 7.3             | 17   | <b>DEFINITIONS</b>   |
| 7.4             | 18   | <b>DISCLAIMERS</b>   |
| 7.5             |      |  |
| 7.6             |      |  |
| 7.7             |      |  |
| 7.8             |      |  |
| 7.9             |      |  |
| 7.10            |      |  |
| 7.10.1          |      |  |
| 7.10.2          |      |  |
| 7.10.3          |      |  |
| 7.10.4          |      |  |
| 7.10.5          |      |  |
| 7.10.6          |      |  |
| 7.11            |      |  |
| 7.11.1          |      |  |
| 7.11.2          |      |  |
| 7.11.3          |      |  |
| 7.11.4          |      |  |
| 7.11.5          |      |  |
| 7.12            |      |  |
| 7.12.1          |      |  |
| 7.12.2          |      |  |

## Economy audio CODEC

## UDA1345TS

**1 FEATURES****1.1 General**

- Low power consumption
- 2.4 to 3.6 V power supply range with 3.0 V typical
- 5 V tolerant TTL compatible digital inputs
- 256, 384 and 512f<sub>s</sub> system clock
- Supports sampling frequencies from 8 to 100 kHz
- Non-inverting ADC plus integrated high-pass filter to cancel DC offset
- The ADC supports 2 V (RMS) input signals
- Overload detector for easy record level control
- Separate power control for ADC and DAC
- Integrated digital interpolation filter plus non-inverting DAC
- Functions controllable either by L3 microcontroller interface or via static pins
- The UDA1345TS is pin and function compatible with the UDA1344TS
- Small package size (SSOP28).

**1.2 Multiple format input interface**

- I<sup>2</sup>S-bus, MSB-justified up to 24 bits and LSB-justified 16, 18 and 20 bits format compatible
- Three combined data formats with MSB data output and LSB 16, 18 and 20 bits data input
- 1f<sub>s</sub> input and output format data rate.

**1.3 DAC digital sound processing**

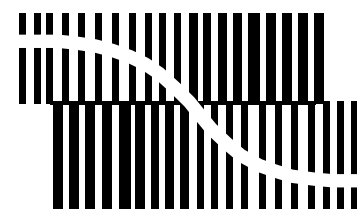
The sound processing features of the UDA1345TS can only be used in L3 microcontroller mode:

- Digital dB-linear volume control (low microcontroller load) via L3 microcontroller with 1 dB steps
- Digital de-emphasis for 32, 44.1 and 48 kHz
- Soft mute via cosine roll-off (in 1024 samples).

**Note:** in contrast to the UDA1344TS, the UDA1345TS does not have bass-boost and treble.

**3 ORDERING INFORMATION**

| TYPE NUMBER | PACKAGE |   |          |
|-------------|---------|---|----------|
|             | NAME    | DESCRIPTION   | VERSION  |
| UDA1345TS   | SSOP28  | plastic shrink small outline package; 28 leads; body width 5.3 mm | SOT341-1 |



BITSTREAM CONVERSION

**1.4 Advanced audio configuration**

- Stereo single-ended input configuration
- Stereo line output (under microcontroller volume control), no post filter required
- High linearity, dynamic range and low distortion.

**2 GENERAL DESCRIPTION**

The UDA1345TS is a single-chip stereo Analog-to-Digital Converter (ADC) and Digital-to-Analog Converter (DAC) with signal processing features employing bitstream conversion techniques. The low power consumption and low voltage requirements make the device eminently suitable for use in low-voltage low-power portable digital audio equipment which incorporates recording and playback functions.

The UDA1345TS supports the I<sup>2</sup>S-bus data format with word lengths of up to 24 bits, the MSB justified data format with word lengths of up to 20 bits and the LSB justified serial data format with word lengths of 16, 18 and 20 bits. The UDA1345TS also supports three combined data formats with MSB justified data output and LSB 16, 18 and 20 bits data input.

The UDA1345TS can be used either with static pin control or under L3 microcontroller interface. In L3 mode the UDA1345TS has basic sound features in playback mode such as de-emphasis, volume control and soft mute.

## Economy audio CODEC

## UDA1345TS

## 4 QUICK REFERENCE DATA

| SYMBOL                             | PARAMETER  | CONDITIONS                           | MIN. | TYP. | MAX. | UNIT |
|------------------------------------|--|--------------------------------------|------|------|------|------|
| <b>Supplies</b>                    |  |                                      |      |      |      |      |
| V <sub>DDA(ADC)</sub>              | ADC analog supply voltage                            |                                      | 2.4  | 3.0  | 3.6  | V    |
| V <sub>DDA(DAC)</sub>              | DAC analog supply voltage                            |                                      | 2.4  | 3.0  | 3.6  | V    |
| V <sub>DDD</sub>                   | digital supply voltage                               |                                      | 2.4  | 3.0  | 3.6  | V    |
| I <sub>DDA(ADC)</sub>              | ADC analog supply current                            | operating mode                       | –    | 10   | 14   | mA   |
|                                    |  | ADC power-down                       | –    | 600  | 800  | μA   |
|                                    |  | ADC power-down all                   | –    | 300  | 800  | μA   |
| I <sub>DDA(DAC)</sub>              | DAC analog supply current                            | operating mode                       | –    | 4    | 7.0  | mA   |
|                                    |  | DAC power-down                       | –    | 50   | 150  | μA   |
| I <sub>DDO(DAC)</sub>              | DAC operational amplifier supply current             | operating mode                       | –    | 2.0  | 3.0  | mA   |
|                                    |  | DAC power-down                       | –    | 200  | 400  | μA   |
| I <sub>DDD</sub>                   | digital supply current                               | operating mode                       | –    | 5    | 8    | mA   |
|                                    |  | ADC and DAC power-down               | –    | 350  | 500  | μA   |
| T <sub>amb</sub>                   | ambient temperature                                  |                                      | –40  | –    | +85  | °C   |
| <b>Analog-to-digital converter</b> |  |                                      |      |      |      |      |
| D <sub>o</sub>                     | digital output level at 1 V (RMS) input voltage      | notes 1 and 2                        | –2.5 | –1.5 | –0.5 | dBFS |
| (THD + N)/S                        | total harmonic distortion-plus-noise to signal ratio | at 0 dB, 1 V (RMS)                   |      |      |      |      |
|                                    |  | f <sub>s</sub> = 44.1 kHz            | –    | –85  | –80  | dB   |
|                                    |  | f <sub>s</sub> = 96 kHz              | –    | –80  | –75  | dB   |
|                                    |  | at –60 dB, 1 mV (RMS);<br>A-weighted |      |      |      |      |
| f <sub>s</sub> = 44.1 kHz          | –  | –36                                  | –30  | dB   |      |      |
| f <sub>s</sub> = 96 kHz            | –  | –34                                  | –30  | dB   |      |      |
| S/N                                | signal-to-noise ratio                                | V <sub>i</sub> = 0 V; A-weighted     |      |      |      |      |
|                                    |  | f <sub>s</sub> = 44.1 kHz            | 90   | 96   | –    | dB   |
|                                    |  | f <sub>s</sub> = 96 kHz              | 90   | 94   | –    | dB   |
| α <sub>CS</sub>                    | channel separation                                   |                                      | –    | 100  | –    | dB   |
| <b>Digital-to-analog converter</b> |  |                                      |      |      |      |      |
| V <sub>o(rms)</sub>                | output voltage (RMS value)                           | note 3                               | 850  | 900  | 950  | mV   |
| (THD + N)/S                        | total harmonic distortion plus noise-to-signal ratio | at 0 dB                              |      |      |      |      |
|                                    |  | f <sub>s</sub> = 44.1 kHz            | –    | –85  | –80  | dB   |
|                                    |  | f <sub>s</sub> = 96 kHz              | –    | –80  | –71  | dB   |
|                                    |  | at –60 dB; A-weighted                |      |      |      |      |
| f <sub>s</sub> = 44.1 kHz          | –  | –37                                  | –30  | dB   |      |      |
| f <sub>s</sub> = 96 kHz            | –  | –35                                  | –30  | dB   |      |      |
| α <sub>CS</sub>                    | channel separation                                   |                                      | –    | 100  | –    | dB   |
| S/N                                | signal-to-noise ratio                                | code = 0; A-weighted                 |      |      |      |      |
|                                    |  | f <sub>s</sub> = 44.1 kHz            | 90   | 100  | –    | dB   |
| f <sub>s</sub> = 96 kHz            | 90   | 98                                   | –    | dB   |      |      |

## Economy audio CODEC

## UDA1345TS

| SYMBOL                   | PARAMETER                                     | CONDITIONS | MIN. | TYP. | MAX. | UNIT |
|--------------------------|---|------------|------|------|------|------|
| <b>Power performance</b> |   |            |      |      |      |      |
| P <sub>ADDA</sub>        | power consumption in record and playback mode |            | –    | 64   | –    | mW   |
| P <sub>DA</sub>          | power consumption in playback only mode       |            | –    | 36   | –    | mW   |
| P <sub>AD</sub>          | power consumption in record only mode         |            | –    | 46   | –    | mW   |
| P <sub>PD</sub>          | power consumption in Power-down mode          |            | –    | 2.2  | –    | mW   |

**Notes**

1. The input voltage can be up to 2 V (RMS) when the current through the ADC input pin is limited to approximately 1 mA by using a series resistor.
2. The input voltage to the ADC scales proportionally with the power supply voltage.
3. The output voltage of the DAC scales proportionally with the power supply voltage.

Economy audio CODEC

UDA1345TS

5 BLOCK DIAGRAM

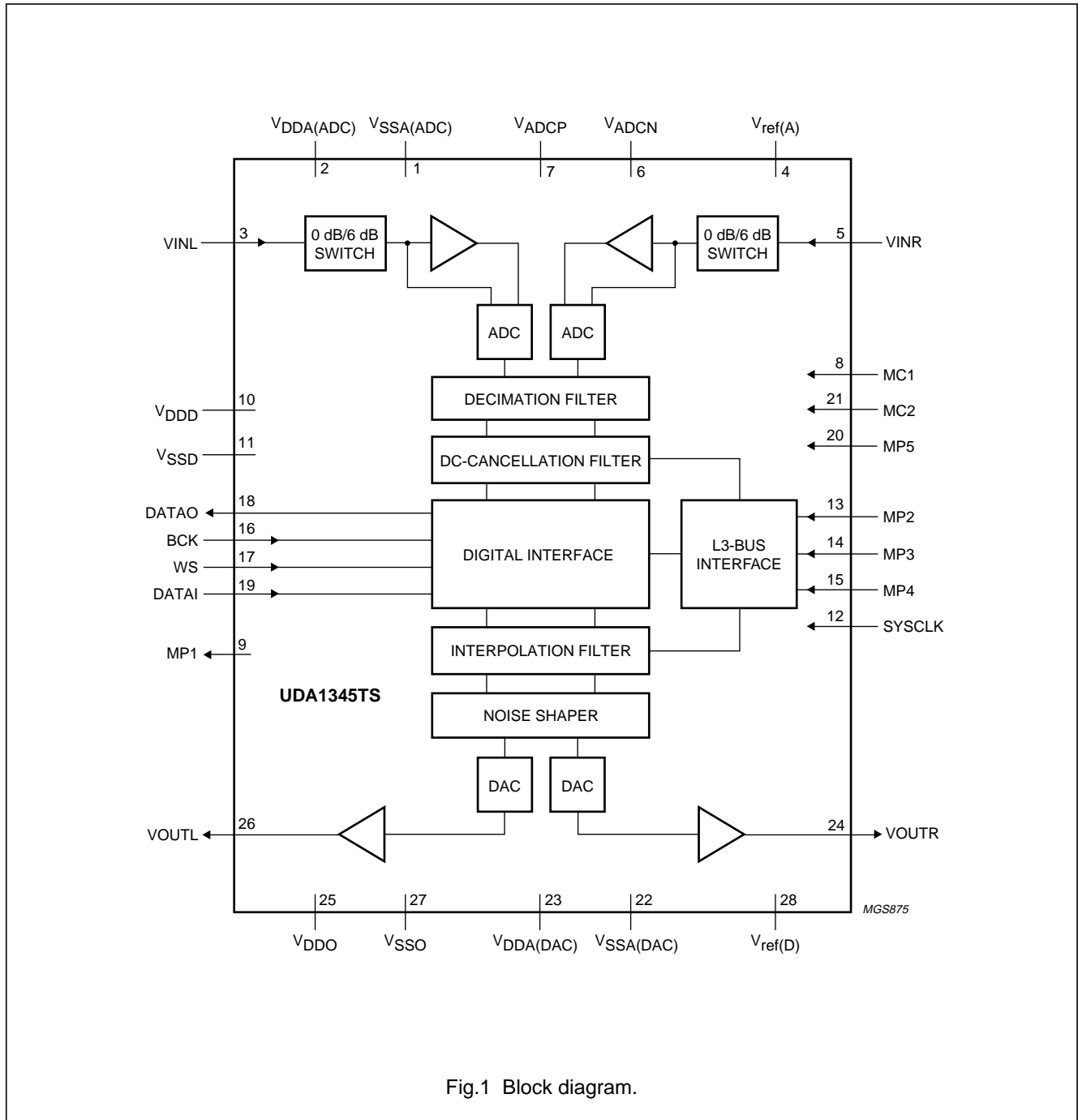


Fig.1 Block diagram.

## Economy audio CODEC

## UDA1345TS

## 6 PINNING

| SYMBOL                | PIN | TYPE   | DESCRIPTION                                |
|-----------------------|-----|--|--|
| V <sub>SSA(ADC)</sub> | 1   | analog ground pad  | ADC analog ground                          |
| V <sub>DDA(ADC)</sub> | 2   | analog supply pad  | ADC analog supply voltage                  |
| VINL                  | 3   | analog input pad   | ADC input left                             |
| V <sub>ref(A)</sub>   | 4   | analog pad   | ADC reference voltage                      |
| VINR                  | 5   | analog input pad   | ADC input right                            |
| V <sub>ADCN</sub>     | 6   | analog pad   | ADC negative reference voltage             |
| V <sub>ADCP</sub>     | 7   | analog pad   | ADC positive reference voltage             |
| MC1                   | 8   | 5 V tolerant digital input pad with internal pull-down pad | mode control 1 (pull-down)                 |
| MP1                   | 9   | 5 V tolerant slew rate controlled digital output pad       | multi purpose pin 1                        |
| V <sub>DDD</sub>      | 10  | digital supply pad   | digital supply voltage                     |
| V <sub>SSD</sub>      | 11  | digital ground pad   | digital ground                             |
| SYSCLK                | 12  | 5 V tolerant digital Schmitt triggered input pad           | system clock 256, 384 or 512f <sub>s</sub> |
| MP2                   | 13  | 3-level input pad  | multi purpose pin 2                        |
| MP3                   | 14  | 5 V tolerant digital Schmitt triggered input pad           | multi purpose pin 3                        |
| MP4                   | 15  | 3-level input pad  | multi purpose pin 4                        |
| BCK                   | 16  | 5 V tolerant digital Schmitt triggered input pad           | bit clock input                            |
| WS                    | 17  | 5 V tolerant digital Schmitt triggered input pad           | word select input                          |
| DATAO                 | 18  | 5 V tolerant slew rate controlled digital output pad       | data output                                |
| DATAI                 | 19  | 5 V tolerant digital Schmitt triggered input pad           | data input                                 |
| MP5                   | 20  | 5 V tolerant digital Schmitt triggered input pad           | multi purpose pin 5 (pull down)            |
| MC2                   | 21  | 5 V tolerant digital input pad with internal pull-down pad | mode control 2 (pull-down)                 |
| V <sub>SSA(DAC)</sub> | 22  | analog ground pad  | DAC analog ground                          |
| V <sub>DDA(DAC)</sub> | 23  | analog supply pad  | DAC analog supply voltage                  |
| VOUTR                 | 24  | analog output pad  | DAC output right                           |
| V <sub>DDO</sub>      | 25  | analog supply pad  | operational amplifier supply voltage       |
| VOUTL                 | 26  | analog output pad  | DAC output left                            |
| V <sub>SSO</sub>      | 27  | analog ground pad  | operational amplifier ground               |
| V <sub>ref(D)</sub>   | 28  | analog pad   | DAC reference voltage                      |

Economy audio CODEC

UDA1345TS

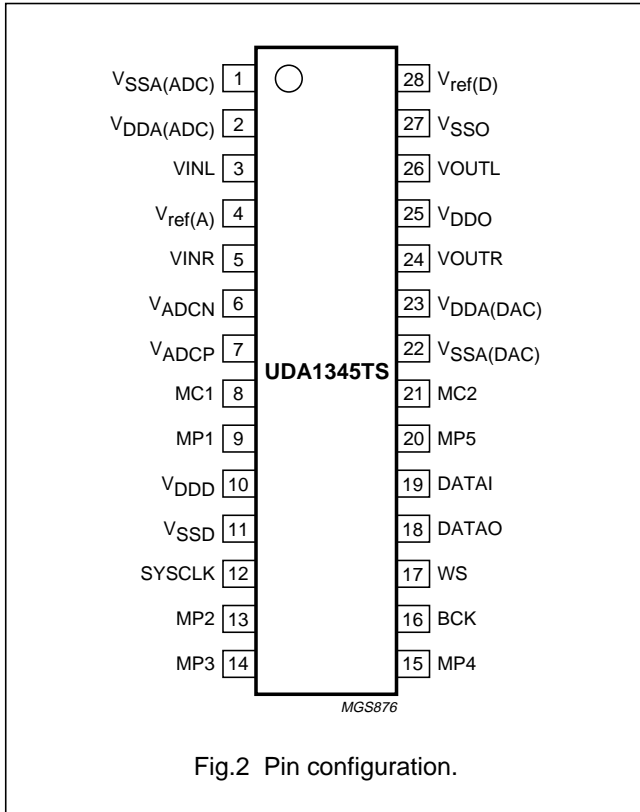


Fig.2 Pin configuration.

7 FUNCTIONAL DESCRIPTION

The UDA1345TS accommodates slave mode only, this means that in all applications the system devices must provide the system clocks (being the system clock itself and the digital audio interface signals).

The system clock must be locked in frequency to the audio digital interface input signals.

The BCK clock can be up to  $128f_s$ , or in other words the BCK frequency is 128 times the Word Select (WS) frequency or less:  $f_{BCK} \leq 128 \times f_{WS}$ .

**Important:** the WS edge MUST fall on the negative edge of the BCK at all times for proper operation of the digital I/O data interface.

**Note:** the sampling frequency range is from 8 to 100 kHz, however for the  $512f_s$  clock mode the sampling range is from 8 to 55 kHz.

7.1 Analog-to-Digital Converter (ADC)

The stereo ADC of the UDA1345TS consists of two 5th-order Sigma-Delta modulators. They have a modified Ritchie-coder architecture in a differential switched capacitor implementation. The oversampling ratio is 64.

7.2 Analog front-end

The analog front-end is equipped with a selectable 0 dB or 6 dB gain block (the pin to select this mode is given in Section 7.10). This block can be used in applications in which both 1 V (RMS) and 2 V (RMS) input signals can be input to the UDA1345TS.

In applications in which a 2 V (RMS) input signal is used, a 12 kΩ resistor must be used in series with the input of the ADC. This forms a voltage divider together with the internal ADC resistor and ensures that only 1 V (RMS) maximum is input to the IC. Using this application for a 2 V (RMS) input signal, the switch must be set to 0 dB. When a 1 V (RMS) input signal is input to the ADC in the same application, the gain switch must be set to 6 dB.

An overview of the maximum input voltages allowed against the presence of an external resistor and the setting of the gain switch is given in Table 1; the power supply voltage is assumed to be 3 V.

Table 1 Application modes using input gain stage

| RESISTOR (12 kΩ) | INPUT GAIN SWITCH | MAXIMUM INPUT VOLTAGE |
|------------------|-------------------|-----------------------|
| Present          | 0 dB              | 2 V (RMS)             |
| Present          | 6 dB              | 1 V (RMS)             |
| Absent           | 0 dB              | 1 V (RMS)             |
| Absent           | 6 dB              | 0.5 V (RMS)           |

7.3 Decimation filter (ADC)

The decimation from  $64f_s$  to 1fs is performed in two stages.

The first stage realizes a 4th-order  $\frac{\sin x}{x}$  characteristic.

This filter decreases the sample rate by 8. The second stage consists of 2 half-band filters and a recursive filter, each decimating by a factor of 2.



## Economy audio CODEC

## UDA1345TS

**Table 2** Digital decimation filter characteristics

| ITEM  | CONDITIONS    | VALUE (dB) |
|---|---------------|------------|
| Pass-band ripple  | $0 - 0.45f_s$ | $\pm 0.05$ |
| Stop band   | $>0.55f_s$    | -60        |
| Dynamic range   | $0 - 0.45f_s$ | 114        |
| Overall gain when a 0 dB signal is input to ADC to digital output | DC            | -1.16      |

**Note:** the digital output level is inversely proportional to the ADC analog power supply. This means that with a constant analog input level and increasing power supply the digital output level will decrease proportionally.

**7.4 Interpolation filter (DAC)**

The digital filter interpolates from 1 to  $128f_s$  by means of a cascade of a recursive filter and an FIR filter.

**Table 3** Digital interpolation filter characteristics

| ITEM            | CONDITIONS    | VALUE (dB) |
|-----------------|---------------|------------|
| Passband ripple | $0 - 0.45f_s$ | $\pm 0.03$ |
| Stopband        | $>0.55f_s$    | -65        |
| Dynamic range   | $0 - 0.45f_s$ | 116.5      |
| Gain            | DC            | -3.5       |

**7.5 Double speed**

Since the device supports a sampling range of 8 to 100 kHz, the device can support double speed (e.g. for 44.1 kHz and 48 kHz sampling frequency) by just doubling the system speed. In double speed all features are available.

**7.6 Noise shaper (DAC)**

The 3rd-order noise shaper operates at  $128f_s$ . It shifts in-band quantization noise to frequencies well above the audio band. This noise shaping technique enables high signal-to-noise ratios to be achieved. The noise shaper output is converted into an analog signal using a filter stream digital-to-analog converter.

**7.7 The Filter Stream DAC (FSDAC)**

The FSDAC is a semi-digital reconstruction filter that converts the 1-bit data stream of the noise shaper to an analog output voltage. The filter coefficients are implemented as current sources and are summed at virtual ground of the output operational amplifier. In this way very high signal-to-noise performance and low clock jitter sensitivity is achieved. A post filter is not needed due to the inherent filter function of the DAC. On-board amplifiers convert the FSDAC output current to an output voltage signal capable of driving a line output.

The output voltage of the FSDAC is scaled proportionally with the power supply voltage.

**7.8 Power control**

In the event that the DAC is powered-up or powered-down, a cosine roll-off mute will be performed (when powering down) or a cosine roll-up de-mute (when powering up) will be performed. This is in order to prevent clicks when powering up or down. This power-on/off mute takes  $32 \times 4 = 128$  samples.

**7.9 L3MODE or static pin control**

The UDA1345TS can be used under L3 microcontroller interface mode or under static pin control. The mode can be set via the Mode Control (MC) pins MC1 (pin 8) and MC2 (pin 21). The function of these pins is given in Table 4.

**Table 4** Mode Control pins MC1 and MC2

| MODE            | MC2  | MC1  |
|-----------------|------|------|
| L3MODE          | LOW  | LOW  |
| Test modes      | LOW  | HIGH |
|                 | HIGH | LOW  |
| Static pin mode | HIGH | HIGH |

**Important:** in L3MODE the UDA1345TS is completely pin and function compatible with the UDA1340M and the UDA1344TS.

**Note:** the UDA1345TS does NOT support bass-boost and treble.

## Economy audio CODEC

## UDA1345TS

**7.10 L3 microcontroller mode**

The UDA1345TS is set to the L3 microcontroller mode by setting both MC1 (pin 8) and MC2 (pin 21) LOW.

The definition of the control registers is given in Section 7.12.

**7.10.1 PINNING DEFINITION**

The pinning definition under L3 microcontroller interface is given in Table 5.

**Table 5** Pinning definition under L3 control

| SYMBOL | PIN | DESCRIPTION                        |
|--------|-----|------------------------------------|
| MP1    | 9   | OVERFL output                      |
| MP2    | 13  | L3MODE input                       |
| MP3    | 14  | L3CLOCK input                      |
| MP4    | 15  | L3DATA input                       |
| MP5    | 20  | ADC 1 V or 2 V (RMS) input control |

**7.10.2 SYSTEM CLOCK**

Under L3 control the options are 256, 384 and 512 $f_s$ .

**7.10.3 MULTIPLE FORMAT INPUT/OUTPUT INTERFACE**

The UDA1345TS supports the following data input/output formats under L3 control:

- I<sup>2</sup>S-bus with data word length of up to 24 bits
- MSB-justified serial format with data word length of up to 20 bits
- LSB-justified serial format with data word lengths of 16, 18 or 20 bits
- Three combined data formats with MSB data output and LSB 16, 18 and 20 bits data input.

The formats are illustrated in Fig.3. Left and right data channel words are time multiplexed.

**7.10.4 ADC INPUT VOLTAGE CONTROL**

The UDA1345TS supports a 2 V (RMS) input using a series resistor of 12 k $\Omega$  as described in Section 7.2. In L3 microcontroller mode, the gain can be selected via pin MP5.

When MP5 is set LOW, 0 dB gain is selected. When MP5 is set HIGH, 6 dB gain is selected.

**7.10.5 OVERLOAD DETECTION (ADC)**

In practice the output is used to indicate whenever the output data, in either the left or right channel, is greater than  $-1$  dB (the actual figure is  $-1.16$  dB) of the maximum possible digital swing. When this condition is detected the OVERFL output is forced HIGH for at least 512 $f_s$  cycles (11.6 ms at  $f_s = 44.1$  kHz). This time-out is reset for each infringement.

**7.10.6 DC CANCELLATION FILTER (ADC)**

An optional IIR high-pass filter is provided to remove unwanted DC components. The operation is selected by the microcontroller via the L3-bus. The filter characteristics are given in Table 6.

**Table 6** DC cancellation filter characteristics

| ITEM              | CONDITIONS          | VALUE (dB) |
|-------------------|---------------------|------------|
| Pass-band ripple  |                     | none       |
| Pass-band gain    |                     | 0          |
| Droop             | at 0.00045 $f_s$    | 0.031      |
| Attenuation at DC | at 0.00000036 $f_s$ | >40        |
| Dynamic range     | 0 – 0.45 $f_s$      | >110       |

**7.11 Static pin mode**

The UDA1345TS is set to static pin control mode by setting both MC1 (pin 8) and MC2 (pin 21) HIGH.

**7.11.1 PINNING DEFINITION**

The pinning definition under static pin control is given in Table 7.

**Table 7** Pinning definition for static pin control

| SYMBOL | PIN | DESCRIPTION  |
|--------|-----|--|
| MP1    | 9   | data input/output setting  |
| MP2    | 13  | 3-level pin controlling de-emphasis and mute                           |
| MP3    | 14  | 256 $f_s$ or 384 $f_s$ system clock                                    |
| MP4    | 15  | 3-level pin to control ADC power mode and 1 V (RMS) or 2 V (RMS) input |
| MP5    | 20  | data input/output setting  |

## Economy audio CODEC

## UDA1345TS

## 7.11.2 SYSTEM CLOCK

Under static pin control the options are  $256f_s$  and  $384f_s$ . With pin MP3 (pin 14) the mode can be set as is given in Table 8.

**Table 8** System clock settings under static pin mode

| MODE                  | MP3  |
|-----------------------|------|
| $256f_s$ system clock | LOW  |
| $384f_s$ system clock | HIGH |

## 7.11.3 MUTE AND DE-EMPHASIS

Under static pin control via MP2 de-emphasis and mute can be selected for the playback path. The definition of the MP2 pin is given in Table 9.

**Table 9** Settings for pin MP2

| MODE                    | MP2          |
|-------------------------|--------------|
| No de-emphasis and mute | LOW          |
| De-emphasis 44.1 kHz    | $0.5V_{DDD}$ |
| Muted                   | HIGH         |

## 7.11.4 MULTIPLE FORMAT INPUT/OUTPUT INTERFACE

The data input/output formats supported under static pin control are as follows:

- I<sup>2</sup>S-bus with data word length of up to 24 bits
- MSB-justified serial format with data word length of up to 24 bits
- Two combined data formats with MSB data output and LSB 16 and 20 bits data input.

The data formats can be selected using pins MP1 (pin 9) and MP5 (pin 20) as given in Table 10.

**Table 10** Data format settings under static pin control

| INPUT FORMAT            | MP1  | MP5  |
|-------------------------|------|------|
| MSB-justified           | LOW  | LOW  |
| I <sup>2</sup> S-bus    | LOW  | HIGH |
| MSB output LSB 20 input | HIGH | LOW  |
| MSB output LSB 16 input | HIGH | HIGH |

The formats are illustrated in Fig.3. Left and right data channel words are time multiplexed.

## 7.11.5 ADC INPUT VOLTAGE CONTROL

The UDA1345TS supports a 2 V (RMS) input using a series resistor as described in Section 7.2.

In static pin mode the 3-level pin MP4 (pin 15) is used to select 0 or 6 dB gain mode. When MP4 is set LOW the ADC is powered-down. When MP4 is set to half the power supply voltage, then 6 dB gain is selected, and when MP4 is set HIGH then 0 dB gain is selected.

**Table 11** MP4 mode settings (static mode)

| MODE                | MP4  |
|---------------------|------|
| ADC Power-down mode | LOW  |
| 6 dB gain mode      | MID  |
| 0 dB gain mode      | HIGH |

Economy audio CODEC

UDA1345TS

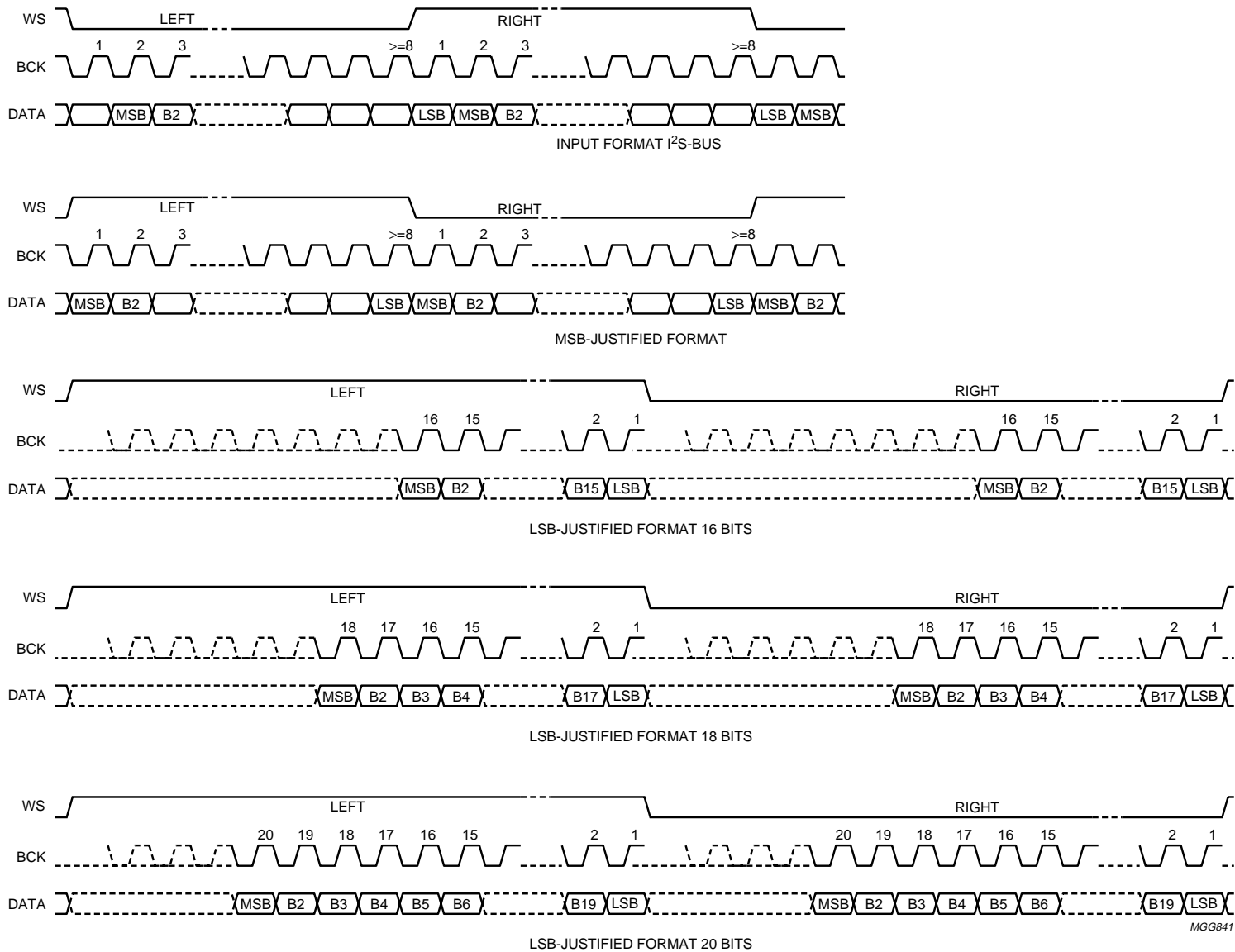


Fig.3 Serial interface formats.

## Economy audio CODEC

## UDA1345TS

## 7.12 L3 interface

The UDA1345TS has a microcontroller input mode. In the microcontroller mode, all of the digital sound processing features and the system controlling features can be controlled by the microcontroller. The controllable features are:

- System clock frequency
- Data input format
- Power control
- DC filtering
- De-emphasis
- Volume
- Mute.

The exchange of data and control information between the microcontroller and the UDA1345TS is accomplished through a serial hardware interface comprising the following pins:

- L3DATA: microcontroller interface data line
- L3MODE: microcontroller interface mode line
- L3CLOCK: microcontroller interface clock line.

Information transfer via the microcontroller bus is LSB first, and is organized in accordance with the so called 'L3' format, in which two different modes of operation can be distinguished; address mode and data transfer mode (see Figs 4 and 5).

The address mode is required to select a device communicating via the L3-bus and to define the destination register set for the data transfer mode. Data transfer for the UDA1345TS can only be in one direction: for the UDA1345TS, data can only be written to the device.

**Important:** since the UDA1345TS does not have a Power-up reset circuit, after power up the L3 interface registers MUST be initialized.

## 7.12.1 ADDRESS MODE

The address mode is used to select a device for subsequent data transfer and to define the destination register set (DATA or STATUS). The address mode is characterized by L3MODE being LOW and a burst of 8 pulses on L3CLOCK, accompanied by 8 data bits. The fundamental timing is shown in Fig.4. Data bits 0 and 1 indicate the type of subsequent data transfer as given in Table 12.

Table 12 Selection of data transfer

| BIT 1 | BIT 0 | TRANSFER   |
|-------|-------|--|
| 0     | 0     | DATA (volume, de-emphasis, mute, and power control)              |
| 0     | 1     | not used   |
| 1     | 0     | STATUS (system clock frequency, data input format and DC filter) |
| 1     | 1     | not used   |

Data bits 7 to 2 represent a 6-bit device address, with bit 7 being the MSB and bit 2 the LSB. The address of the UDA1345TS is 000101 (bit 7 to bit 2). In the event that the UDA1345TS receives a different address, it will deselect its microcontroller interface logic.

## 7.12.2 DATA TRANSFER MODE

The selection performed in the address mode remains active during subsequent data transfers, until the UDA1345TS receives a new address command. The fundamental timing of data transfers is essentially the same as in the address mode, shown in Fig.4. The maximum input clock and data rate is 128f<sub>s</sub>. All transfers are byte wise, i.e. they are based on groups of 8 bits. Data will be stored in the UDA1345TS after the eighth bit of a byte has been received. A multibyte transfer is illustrated in Fig.6.

## 7.12.2.1 Programming the sound processing and other features

The feature values are stored in independent registers. The first selection of the registers is achieved by the choice of data type that is transferred, being DATA or STATUS. This is performed in the address mode, bit 1 and bit 0 (see Table 12). The second selection is performed by the 2 MSBs of the data byte (bit 7 and bit 6). The other bits in the data byte (bit 5 to bit 0) are the values that are placed in the selected registers.

When the data transfer of type DATA is selected, the features Volume, De-emphasis, Mute and Power control can be controlled. When the data transfer of type STATUS is selected, the features system clock frequency, data input format and DC filter can be controlled.

Economy audio CODEC

UDA1345TS

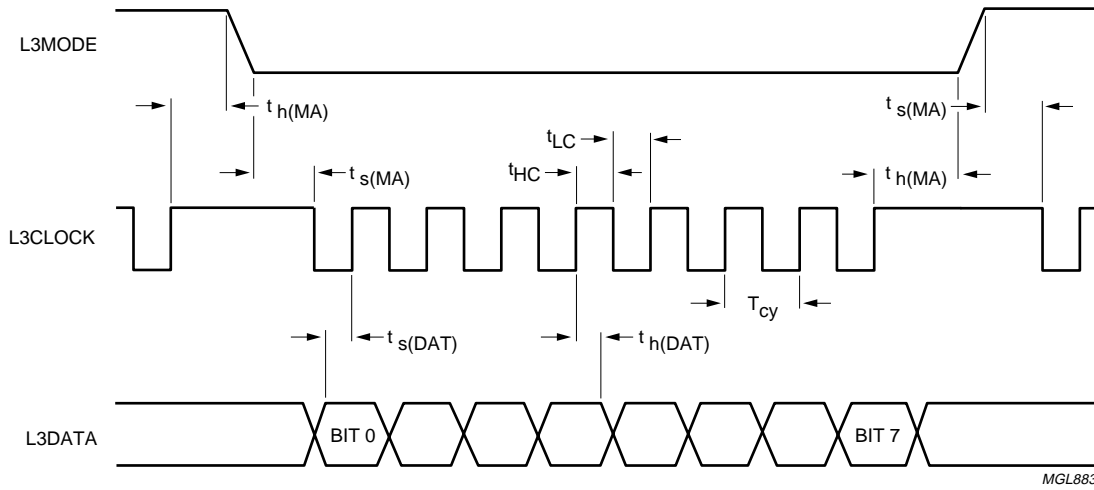


Fig.4 Timing address mode.

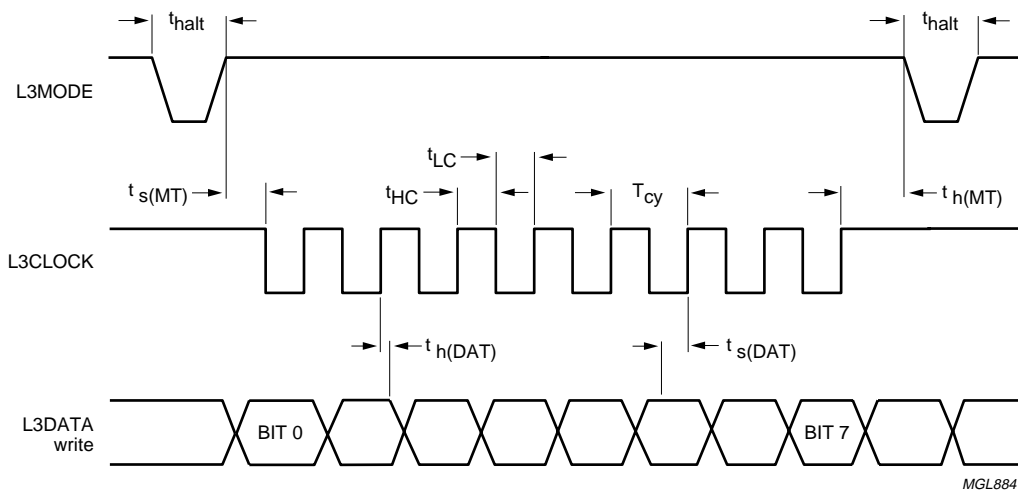


Fig.5 Timing for data transfer mode.

Economy audio CODEC

UDA1345TS

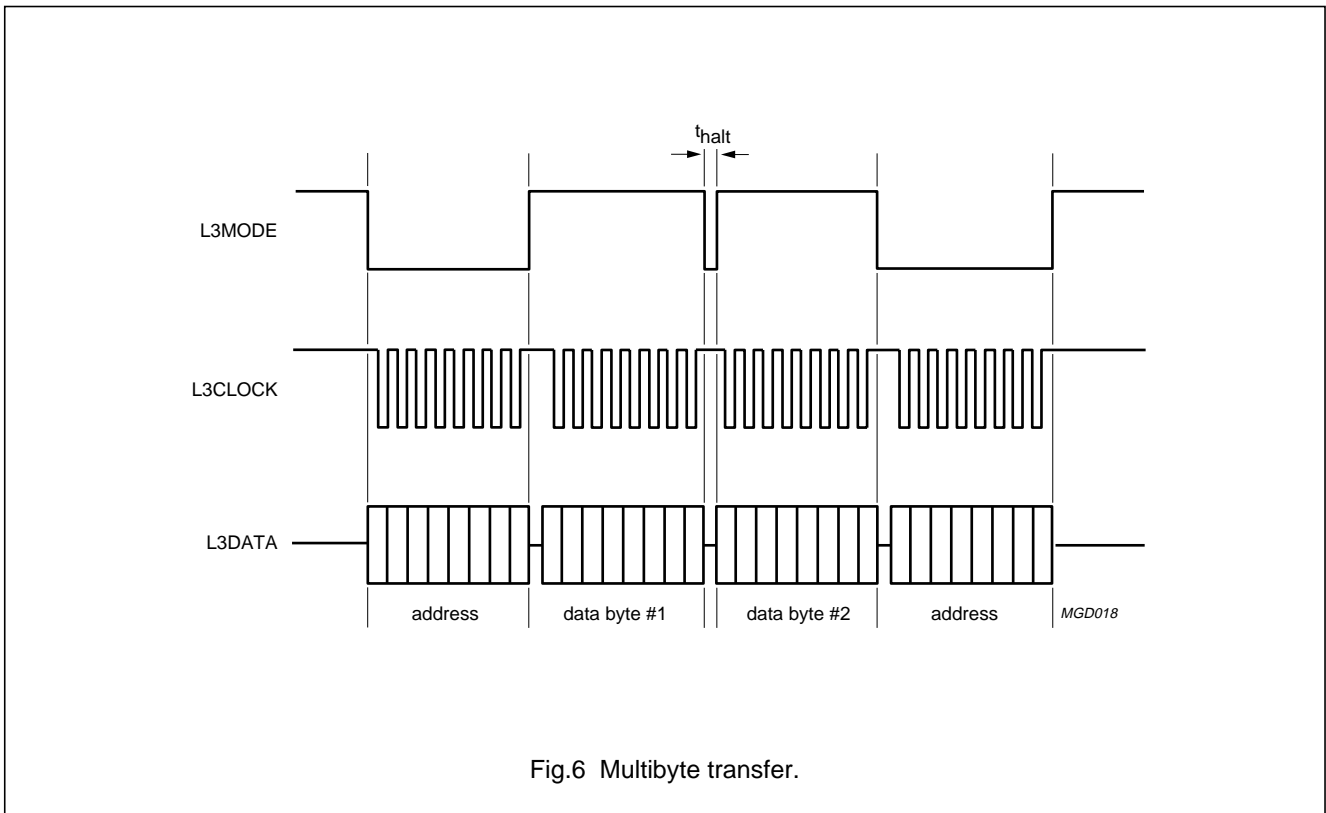


Fig.6 Multibyte transfer.

Table 13 Data transfer of type status

| LAST IN TIME |       |       | FIRST IN TIME |       |       |       |       | REGISTER SELECTED   |
|--------------|-------|-------|---------------|-------|-------|-------|-------|---|
| BIT 7        | BIT 6 | BIT 5 | BIT 4         | BIT 3 | BIT 2 | BIT 1 | BIT 0 |   |
| 0            | 0     | SC1   | SC0           | IF2   | IF1   | IF0   | DC    | System Clock frequency (5 : 4);<br>data Input Format (3 : 1); DC-filter |

Table 14 Data transfer of type data

| LAST IN TIME |       |       | FIRST IN TIME |       |       |       |       | REGISTER SELECTED         |
|--------------|-------|-------|---------------|-------|-------|-------|-------|---------------------------|
| BIT 7        | BIT 6 | BIT 5 | BIT 4         | BIT 3 | BIT 2 | BIT 1 | BIT 0 |                           |
| 0            | 0     | VC5   | VC4           | VC3   | VC2   | VC1   | VC0   | Volume Control (5 : 0)    |
| 0            | 1     | 0     | 0             | 0     | 0     | 0     | 0     | not used                  |
| 1            | 0     | 0     | DE1           | DE0   | MT    | 0     | 0     | De-Emphasis (4 : 3); MuTe |
| 1            | 1     | 0     | 0             | 0     | 0     | PC1   | PC0   | Power Control (1 : 0)     |

# Economy audio CODEC

# UDA1345TS

### 7.12.2.2 System clock frequency

A 2-bit value (SC1 and SC0) to select the used external clock frequency (see Table 15).

**Table 15** System clock frequency settings

| SC1 | SC0 | FUNCTION          |
|-----|-----|-------------------|
| 0   | 0   | 512f <sub>s</sub> |
| 0   | 1   | 384f <sub>s</sub> |
| 1   | 0   | 256f <sub>s</sub> |
| 1   | 1   | not used          |

### 7.12.2.3 Data input format

A 3-bit value (IF2 to IF0) to select the used data format (see Table 16).

**Table 16** Data input format settings

| IF2 | IF1 | IF0 | FUNCTION   |
|-----|-----|-----|--|
| 0   | 0   | 0   | I <sup>2</sup> S-bus                                 |
| 0   | 0   | 1   | LSB-justified; 16 bits                               |
| 0   | 1   | 0   | LSB-justified; 18 bits                               |
| 0   | 1   | 1   | LSB-justified; 20 bits                               |
| 1   | 0   | 0   | MSB-justified  |
| 1   | 0   | 1   | MSB-justified output/<br>LSB-justified 16 bits input |
| 1   | 1   | 0   | MSB-justified output/<br>LSB-justified 18 bits input |
| 1   | 1   | 1   | MSB-justified output/<br>LSB-justified 20 bits input |

### 7.12.2.4 DC filter

A 1-bit value to enable the digital DC filter (see Table 17).

**Table 17** DC filtering

| DC | FUNCTION        |
|----|-----------------|
| 0  | no DC filtering |
| 1  | DC filtering    |

### 7.12.2.5 Volume control

A 6-bit value to program the left and right channel volume attenuation (VC5 to VC0). The range is 0 dB to -∞ dB in steps of 1 dB (see Table 18).

**Table 18** Volume settings

| VC5 | VC4 | VC3 | VC2 | VC1 | VC0 | VOLUME (dB) |
|-----|-----|-----|-----|-----|-----|-------------|
| 0   | 0   | 0   | 0   | 0   | 0   | 0           |
| 0   | 0   | 0   | 0   | 0   | 1   | 0           |
| 0   | 0   | 0   | 0   | 1   | 0   | -1          |
| 0   | 0   | 0   | 0   | 1   | 1   | -2          |
| :   | :   | :   | :   | :   | :   | :           |
| 1   | 1   | 0   | 0   | 1   | 1   | -50         |
| 1   | 1   | 0   | 1   | 0   | 0   | -52         |
| 1   | 1   | 0   | 0   | 0   | 1   | -54         |
| 1   | 1   | 0   | 0   | 1   | 0   | -57         |
| 1   | 1   | 0   | 1   | 1   | 1   | -60         |
| 1   | 1   | 1   | 0   | 0   | 0   | -66         |
| 1   | 1   | 1   | 0   | 0   | 1   | -∞          |
| :   | :   | :   | :   | :   | :   | :           |
| 1   | 1   | 1   | 1   | 1   | 1   | -∞          |

### 7.12.2.6 De-emphasis

A 2-bit value to enable the digital de-emphasis filter.

**Table 19** De-emphasis settings

| DE1 | DE0 | FUNCTION              |
|-----|-----|-----------------------|
| 0   | 0   | no de-emphasis        |
| 0   | 1   | de-emphasis; 32 kHz   |
| 1   | 0   | de-emphasis; 44.1 kHz |
| 1   | 1   | de-emphasis; 48 kHz   |

### 7.12.2.7 Mute

A 1-bit value to enable the digital DAC mute (playback).

**Table 20** DAC mute

| MT | FUNCTION  |
|----|-----------|
| 0  | no muting |
| 1  | muting    |



## Economy audio CODEC

## UDA1345TS

## 7.12.2.8 Power control

A 2-bit value to disable the ADC and/or DAC to reduce power consumption.

**Table 21** Power control settings

| PC1 | PC0 | FUNCTION |     |
|-----|-----|----------|-----|
|     |     | ADC      | DAC |
| 0   | 0   | off      | off |
| 0   | 1   | off      | on  |
| 1   | 0   | on       | off |
| 1   | 1   | on       | on  |

## 8 LIMITING VALUES

In accordance with the Absolute Maximum Rating System (IEC 60134). All voltages referenced to ground;  $V_{DDD} = V_{DDA} = V_{DDO} = 3\text{ V}$ ;  $T_{\text{amb}} = 25\text{ °C}$ ; unless otherwise specified.

| SYMBOL                 | PARAMETER                    | CONDITIONS  | MIN. | MAX. | UNIT |
|------------------------|------------------------------|---|------|------|------|
| $V_{DDD}$              | digital supply voltage       | note 1  | –    | 5.0  | V    |
| $T_{\text{xtal(max)}}$ | maximum crystal temperature  |   | –    | 150  | °C   |
| $T_{\text{stg}}$       | storage temperature          |   | –65  | +125 | °C   |
| $T_{\text{amb}}$       | ambient temperature          |   | –40  | +85  | °C   |
| $V_{\text{esd}}$       | electrostatic handling       | according to JEDEC II specification                                       |      |      |      |
| $I_{\text{lu(prot)}}$  | latch-up protection current  | $T_{\text{amb}} = 125\text{ °C}$ ;<br>$V_{\text{DD}} = 3.6\text{ V}$      | –    | 200  | mA   |
| $I_{\text{sc(DAC)}}$   | short-circuit current of DAC | $T_{\text{amb}} = 0\text{ °C}$ ; $V_{\text{DD}} = 3\text{ V}$ ;<br>note 2 | –    | 450  | mA   |
|                        |                              | output short-circuited<br>to $V_{\text{SSA(DAC)}}$                        | –    | 325  | mA   |
|                        |                              | output short-circuited<br>to $V_{\text{DDA(DAC)}}$                        | –    |      |      |

## Notes

1. All  $V_{\text{DD}}$  and  $V_{\text{SS}}$  connections must be made to the same power supply.
2. DAC operation after short-circuiting cannot be guaranteed.

## 9 THERMAL CHARACTERISTICS

| SYMBOL               | PARAMETER                                   | CONDITIONS  | VALUE | UNIT |
|----------------------|---|-------------|-------|------|
| $R_{\text{th(j-a)}}$ | thermal resistance from junction to ambient | in free air | 90    | K/W  |

## Economy audio CODEC

## UDA1345TS

**10 DC CHARACTERISTICS**

$V_{DD} = V_{DDA} = V_{DDO} = 3.0\text{ V}$ ;  $f_s = 44.1\text{ kHz}$ ;  $T_{amb} = 25\text{ °C}$ ;  $R_L = 5\text{ k}\Omega$ ; note 1; all voltages referenced to ground (pins 1, 11, 22 and 27); unless otherwise specified.

| SYMBOL  | PARAMETER                                | CONDITIONS                | MIN.          | TYP.         | MAX.            | UNIT             |
|---|--|---------------------------|---------------|--------------|-----------------|------------------|
| <b>Supplies</b>   |  |                           |               |              |                 |                  |
| $V_{DDA(ADC)}$  | ADC analog supply voltage                |                           | 2.4           | 3.0          | 3.6             | V                |
| $V_{DDA(DAC)}$  | DAC analog supply voltage                |                           | 2.4           | 3.0          | 3.6             | V                |
| $V_{DDD}$   | digital supply voltage                   |                           | 2.4           | 3.0          | 3.6             | V                |
| $I_{DDA(ADC)}$  | ADC analog supply current                | operating mode            | –             | 10           | 14              | mA               |
|   |  | ADC power-down            | –             | 600          | 800             | $\mu\text{A}$    |
|   |  | ADC power-down all        | –             | 300          | 800             | $\mu\text{A}$    |
| $I_{DDA(DAC)}$  | DAC analog supply current                | operating mode            | –             | 4            | 7.0             | mA               |
|   |  | DAC power-down            | –             | 50           | 150             | $\mu\text{A}$    |
| $I_{DDO(DAC)}$  | DAC operational amplifier supply current | operating mode            | –             | 2.0          | 3.0             | mA               |
|   |  | DAC power-down            | –             | 200          | 400             | $\mu\text{A}$    |
| $I_{DDD}$   | digital supply current                   | operating mode            | –             | 5            | 8               | mA               |
|   |  | ADC and DAC power-down    | –             | 350          | 500             | $\mu\text{A}$    |
| <b>Digital input pins (5 V tolerant TTL compatible)</b> |  |                           |               |              |                 |                  |
| $V_{IH}$  | HIGH-level input voltage                 |                           | 2.0           | –            | 5.0             | V                |
| $V_{IL}$  | LOW-level input voltage                  |                           | –0.5          | –            | +0.8            | V                |
| $V_{IH(th)}$  | HIGH-level threshold input voltage       |                           | 1.3           | –            | 1.9             | V                |
| $V_{IL(th)}$  | LOW-level threshold input voltage        |                           | 0.9           | –            | 1.35            | V                |
| $V_{hys}$   | Schmitt trigger hysteresis voltage       |                           | 0.4           | –            | 0.7             | V                |
| $ I_{LI} $  | input leakage current                    |                           | –             | –            | 10              | $\mu\text{A}$    |
| $C_i$   | input capacitance                        |                           | –             | –            | 10              | pF               |
| <b>3-level input pins (MP2; MP4)</b>                    |  |                           |               |              |                 |                  |
| $V_{IH}$  | HIGH-level input voltage                 |                           | $0.9V_{DDD}$  | –            | $V_{DDD} + 0.5$ | V                |
| $V_{IM}$  | MIDDLE-level input voltage               |                           | $0.4V_{DDD}$  | –            | $0.6V_{DDD}$    | V                |
| $V_{IL}$  | LOW-level input voltage                  |                           | –0.5          | –            | +0.5            | V                |
| <b>Digital output pins</b>                              |  |                           |               |              |                 |                  |
| $V_{OH}$  | HIGH-level output voltage                | $I_{OH} = -2\text{ mA}$   | $0.85V_{DDD}$ | –            | –               | V                |
| $V_{OL}$  | LOW-level output voltage                 | $I_{OL} = 2\text{ mA}$    | –             | –            | 0.4             | V                |
| <b>Analog-to-digital converter</b>                      |  |                           |               |              |                 |                  |
| $V_{ref(A)}$  | reference voltage                        | with respect to $V_{SSA}$ | $0.45V_{DDA}$ | $0.5V_{DDA}$ | $0.55V_{DDA}$   | V                |
| $R_{o(ref)}$  | $V_{ref(A)}$ reference output resistance |                           | –             | 24           | –               | $\text{k}\Omega$ |
| $R_i$   | input resistance                         | $f_i = 1\text{ kHz}$      | –             | 12           | –               | $\text{k}\Omega$ |
| $C_i$   | input capacitance                        |                           | –             | 20           | –               | pF               |

## Economy audio CODEC

## UDA1345TS

| SYMBOL                             | PARAMETER                                       | CONDITIONS   | MIN.                 | TYP.                | MAX.                 | UNIT       |
|------------------------------------|---|--|----------------------|---------------------|----------------------|------------|
| <b>Digital-to-analog converter</b> |   |  |                      |                     |                      |            |
| $V_{\text{ref(D)}}$                | reference voltage                               | with respect to $V_{\text{SSA}}$                   | $0.45V_{\text{DDA}}$ | $0.5V_{\text{DDA}}$ | $0.55V_{\text{DDA}}$ | V          |
| $R_{\text{o(ref)}}$                | $V_{\text{ref(D)}}$ reference output resistance |  | –                    | 12.5                | –                    | k $\Omega$ |
| $R_{\text{o}}$                     | DAC output resistance                           |  | –                    | 0.13                | 3.0                  | $\Omega$   |
| $I_{\text{o(max)}}$                | maximum output current                          | (THD + N)/S < 0.1%;<br>$R_{\text{L}} = 800 \Omega$ | –                    | 1.7                 | –                    | mA         |
| $R_{\text{L}}$                     | load resistance                                 |  | 3                    | –                   | –                    | k $\Omega$ |
| $C_{\text{L}}$                     | load capacitance                                | note 2   | –                    | –                   | 200                  | pF         |

**Notes**

1. All power supply pins ( $V_{\text{DD}}$  and  $V_{\text{SS}}$ ) must be connected to the same external power supply unit.
2. When higher capacitive loads must be driven then a 100  $\Omega$  resistor must be connected in series with the DAC output in order to prevent oscillations in the output operational amplifier.

## Economy audio CODEC

## UDA1345TS

**11 AC CHARACTERISTICS (ANALOG)**

$V_{DDDD} = V_{DDA} = V_{DDO} = 3.0\text{ V}$ ;  $f_i = 1\text{ kHz}$ ;  $f_s = 44.1\text{ kHz}$ ;  $T_{amb} = 25\text{ °C}$ ;  $R_L = 5\text{ k}\Omega$ ; all voltages referenced to ground (pins 1, 11, 22 and 27); unless otherwise specified.

| SYMBOL                             | PARAMETER  | CONDITIONS   | MIN. | TYP. | MAX. | UNIT |
|------------------------------------|--|--|------|------|------|------|
| <b>Analog-to-digital converter</b> |  |  |      |      |      |      |
| $D_o$                              | digital output level at 1 V (RMS) input voltage      | notes 1 and 2  | -2.5 | -1.5 | -0.5 | dBFS |
| $\Delta V_i$                       | unbalance between channels                           |  | -    | 0.1  | -    | dB   |
| (THD + N)/S                        | total harmonic distortion-plus-noise to signal ratio | at 0 dB, 1 V (RMS)                                       |      |      |      |      |
|                                    |  | $f_s = 44.1\text{ kHz}$                                  | -    | -85  | -80  | dB   |
|                                    |  | $f_s = 96\text{ kHz}$                                    | -    | -80  | -75  | dB   |
|                                    |  | at -60 dB, 1 mV (RMS); A-weighted                        |      |      |      |      |
|                                    |  | $f_s = 44.1\text{ kHz}$                                  | -    | -36  | -30  | dB   |
|                                    |  | $f_s = 96\text{ kHz}$                                    | -    | -34  | -30  | dB   |
| S/N                                | signal-to-noise ratio                                | $V_i = 0\text{ V}$ ; A-weighted                          |      |      |      |      |
|                                    |  | $f_s = 44.1\text{ kHz}$                                  | 90   | 96   | -    | dB   |
|                                    |  | $f_s = 96\text{ kHz}$                                    | 90   | 94   | -    | dB   |
| $\alpha_{cs}$                      | channel separation                                   |  | -    | 100  | -    | dB   |
| PSRR                               | power supply rejection ratio                         | $f_{ripple} = 1\text{ kHz}$ ;<br>$V_{ripple(p-p)} = 1\%$ | -    | 30   | -    | dB   |
| <b>Digital-to-analog converter</b> |  |  |      |      |      |      |
| $V_{o(rms)}$                       | output voltage (RMS value)                           | note 3   | 850  | 900  | 950  | mV   |
| $\Delta V_o$                       | unbalance between channels                           |  | -    | 0.1  | -    | dB   |
| (THD + N)/S                        | total harmonic distortion plus noise-to-signal ratio | at 0 dB  |      |      |      |      |
|                                    |  | $f_s = 44.1\text{ kHz}$                                  | -    | -85  | -80  | dB   |
|                                    |  | $f_s = 96\text{ kHz}$                                    | -    | -80  | -71  | dB   |
|                                    |  | at -60 dB; A-weighted                                    |      |      |      |      |
|                                    |  | $f_s = 44.1\text{ kHz}$                                  | -    | -37  | -30  | dB   |
|                                    |  | $f_s = 96\text{ kHz}$                                    | -    | -35  | -30  | dB   |
| S/N                                | signal-to-noise ratio                                | code = 0; A-weighted                                     |      |      |      |      |
|                                    |  | $f_s = 44.1\text{ kHz}$                                  | 90   | 100  | -    | dB   |
|                                    |  | $f_s = 96\text{ kHz}$                                    | 90   | 98   | -    | dB   |
| $\alpha_{cs}$                      | channel separation                                   |  | -    | 100  | -    | dB   |
| PSRR                               | power supply rejection ratio                         | $f_{ripple} = 1\text{ kHz}$ ;<br>$V_{ripple(p-p)} = 1\%$ | -    | 60   | -    | dB   |

**Notes**

1. The input voltage can be up to 2 V (RMS) when the current through the ADC input pin is limited to approximately 1 mA by using a series resistor.
2. The input voltage to the ADC scales proportionally with the power supply voltage.
3. The output voltage of the DAC scales proportionally with the power supply voltage.

## Economy audio CODEC

## UDA1345TS

**12 AC CHARACTERISTICS (DIGITAL)**

$V_{DD} = V_{DDA} = V_{DDO} = 2.7$  to  $3.6$  V;  $T_{amb} = -20$  to  $+85$  °C;  $R_L = 5$  k $\Omega$ ; all voltages referenced to ground (pins 1, 11, 22 and 27); unless otherwise specified.

| SYMBOL   | PARAMETER                                      | CONDITIONS                  | MIN.               | TYP. | MAX.          | UNIT |
|--|--|-----------------------------|--------------------|------|---------------|------|
| <b>System clock timing; see Fig.7</b>                          |  |                             |                    |      |               |      |
| $T_{sys}$  | system clock cycle                             | $f_{sys} = 256f_s$ ; note 1 | 39                 | 88   | 488           | ns   |
|  |  | $f_{sys} = 384f_s$ ; note 1 | 26                 | 59   | 325           | ns   |
|  |  | $f_{sys} = 512f_s$ ; note 2 | 36                 | 44   | 244           | ns   |
| $t_{CWL}$  | $f_{sys}$ LOW-level pulse width                | $f_{sys} < 19.2$ MHz        | $0.30T_{sys}$      | –    | $0.70T_{sys}$ | ns   |
|  |  | $f_{sys} \geq 19.2$ MHz     | $0.40T_{sys}$      | –    | $0.60T_{sys}$ | ns   |
| $t_{CWH}$  | $f_{sys}$ HIGH-level pulse width               | $f_{sys} < 19.2$ MHz        | $0.30T_{sys}$      | –    | $0.70T_{sys}$ | ns   |
|  |  | $f_{sys} \geq 19.2$ MHz     | $0.40T_{sys}$      | –    | $0.60T_{sys}$ | ns   |
| $t_r$  | rise time                                      |                             | –                  | –    | 20            | ns   |
| $t_f$  | fall time                                      |                             | –                  | –    | 20            | ns   |
| <b>Serial input/output data timing; see Fig.8</b>              |  |                             |                    |      |               |      |
| $t_{BCK}$  | bit clock period                               |                             | $\frac{1}{128}f_s$ | –    | –             | ns   |
| $t_{BCKH}$   | bit clock HIGH time                            |                             | 34                 | –    | –             | ns   |
| $t_{BCKL}$   | bit clock LOW time                             |                             | 34                 | –    | –             | ns   |
| $t_r$  | rise time                                      |                             | –                  | –    | 20            | ns   |
| $t_f$  | fall time                                      |                             | –                  | –    | 20            | ns   |
| $t_{s(DATAI)}$   | data input set-up time                         |                             | 20                 | –    | –             | ns   |
| $t_{h(DATAI)}$   | data input hold time                           |                             | 0                  | –    | –             | ns   |
| $t_{d(DATAO-BCK)}$   | data output delay time (from BCK falling edge) |                             | –                  | –    | 80            | ns   |
| $t_{d(DATAO-WS)}$  | data output delay time (from WS edge)          | MSB-justified format        | –                  | –    | 80            | ns   |
| $t_{h(DATAO)}$   | data output hold time                          |                             | 0                  | –    | –             | ns   |
| $t_{s(WS)}$  | word select set-up time                        |                             | 20                 | –    | –             | ns   |
| $t_{h(WS)}$  | word select hold time                          |                             | 10                 | –    | –             | ns   |
| <b>Address and data transfer mode timing; see Figs 4 and 5</b> |  |                             |                    |      |               |      |
| $T_{cy}$   | L3CLOCK cycle time                             |                             | 500                | –    | –             | ns   |
| $t_{HC}$   | L3CLOCK HIGH period                            |                             | 250                | –    | –             | ns   |
| $t_{LC}$   | L3CLOCK LOW period                             |                             | 250                | –    | –             | ns   |
| $t_{s(MA)}$  | L3MODE set-up time                             | address mode                | 190                | –    | –             | ns   |
| $t_{h(MA)}$  | L3MODE hold time                               | address mode                | 190                | –    | –             | ns   |
| $t_{s(MT)}$  | L3MODE set-up time                             | data transfer mode          | 190                | –    | –             | ns   |
| $t_{h(MT)}$  | L3MODE hold time                               | data transfer mode          | 190                | –    | –             | ns   |

Economy audio CODEC

UDA1345TS

| SYMBOL       | PARAMETER          | CONDITIONS                          | MIN. | TYP. | MAX. | UNIT |
|--------------|--------------------|-------------------------------------|------|------|------|------|
| $t_{s(DAT)}$ | L3DATA set-up time | data transfer mode and address mode | 190  | –    | –    | ns   |
| $t_{h(DAT)}$ | L3DATA hold time   | data transfer mode and address mode | 30   | –    | –    | ns   |
| $t_{halt}$   | L3MODE halt time   |                                     | 190  | –    | –    | ns   |

Notes

1. Sampling range from 5 to 100 kHz is supported, with  $f_s = 44.1$  kHz typical.
2. Sampling range from 5 to 55 kHz is supported, with  $f_s = 44.1$  kHz typical.

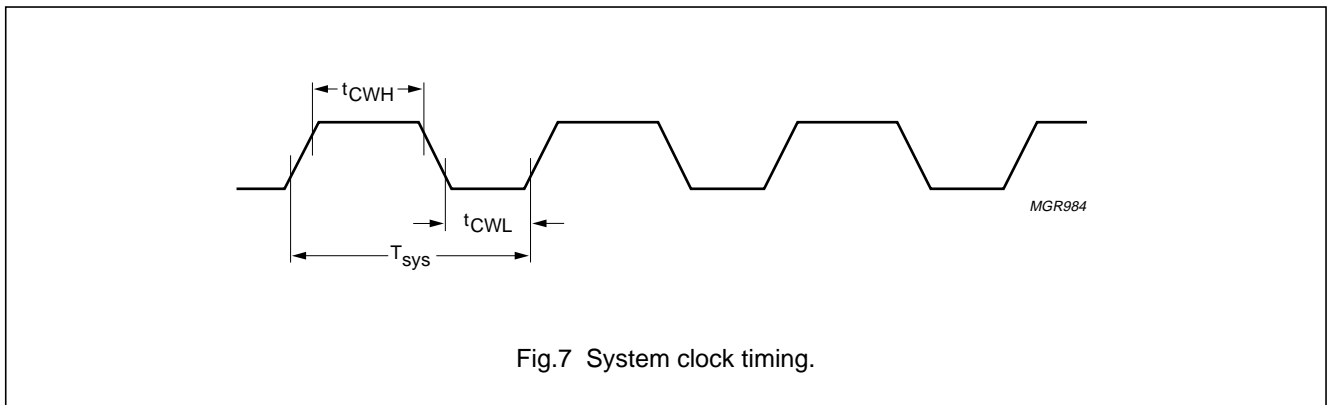


Fig.7 System clock timing.

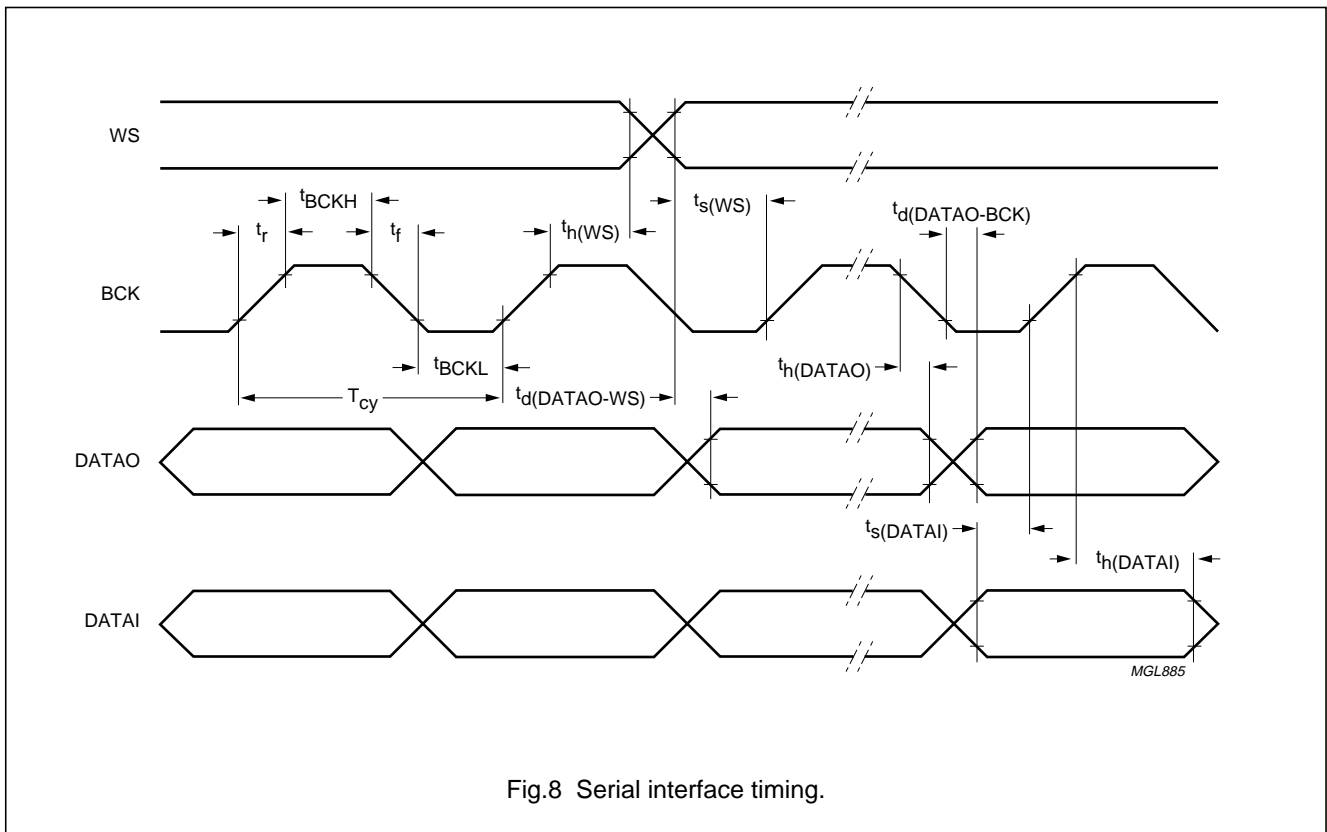


Fig.8 Serial interface timing.

# Economy audio CODEC

# UDA1345TS

## 13 APPLICATION INFORMATION

The application information as given in Fig.9 is an optimum application environment. Simplification is possible at the cost of some performance degradation. The following notes apply:

- The capacitors at the output of the DAC can be reduced. It should be noted that the cut-off frequency of the DC filter also changes.
- The capacitors at the input of the ADC can also be reduced. It should be noted that the cut-off frequency of the capacitor with the 12 k $\Omega$  input resistance of the ADC will also change.

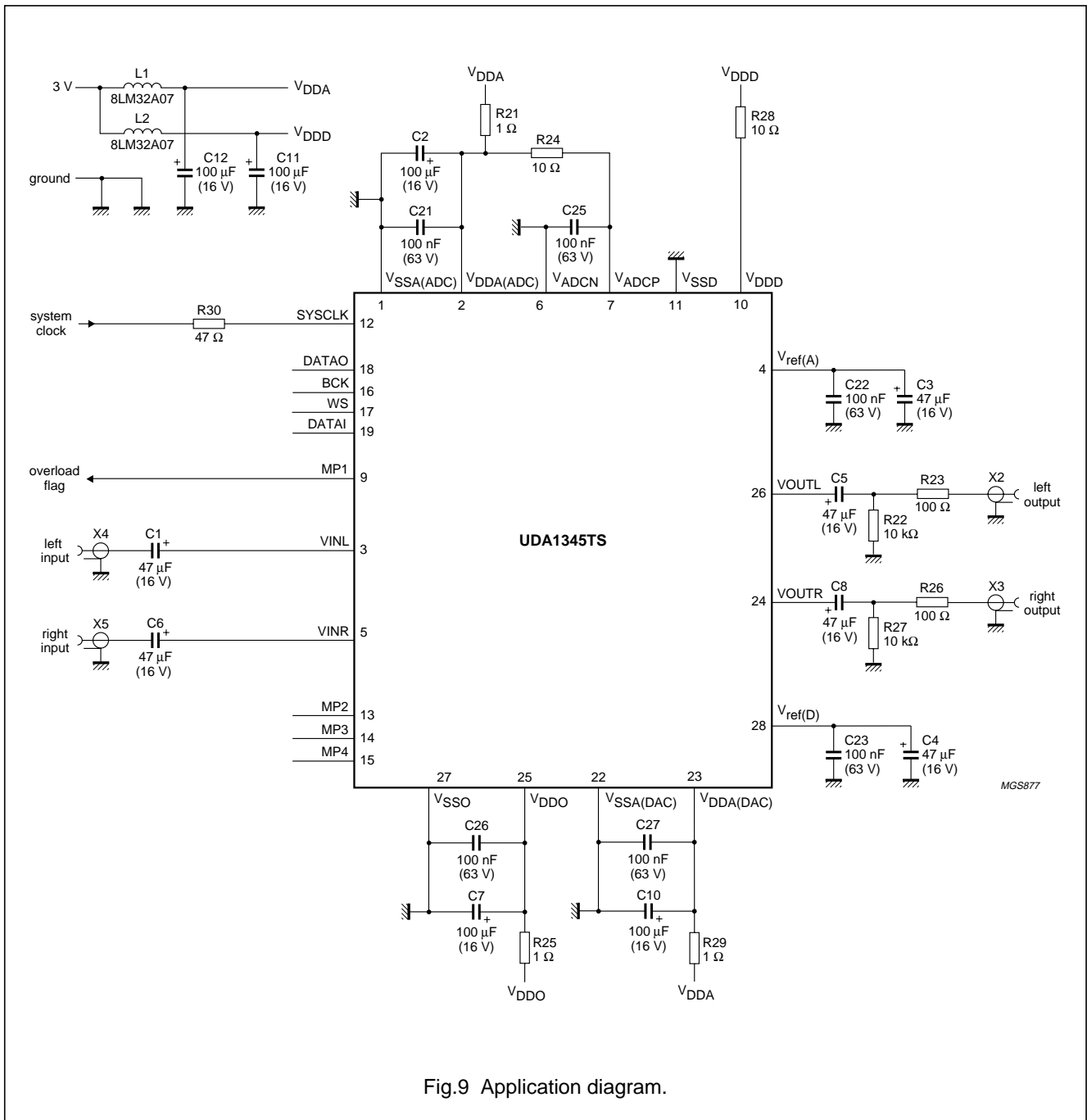


Fig.9 Application diagram.

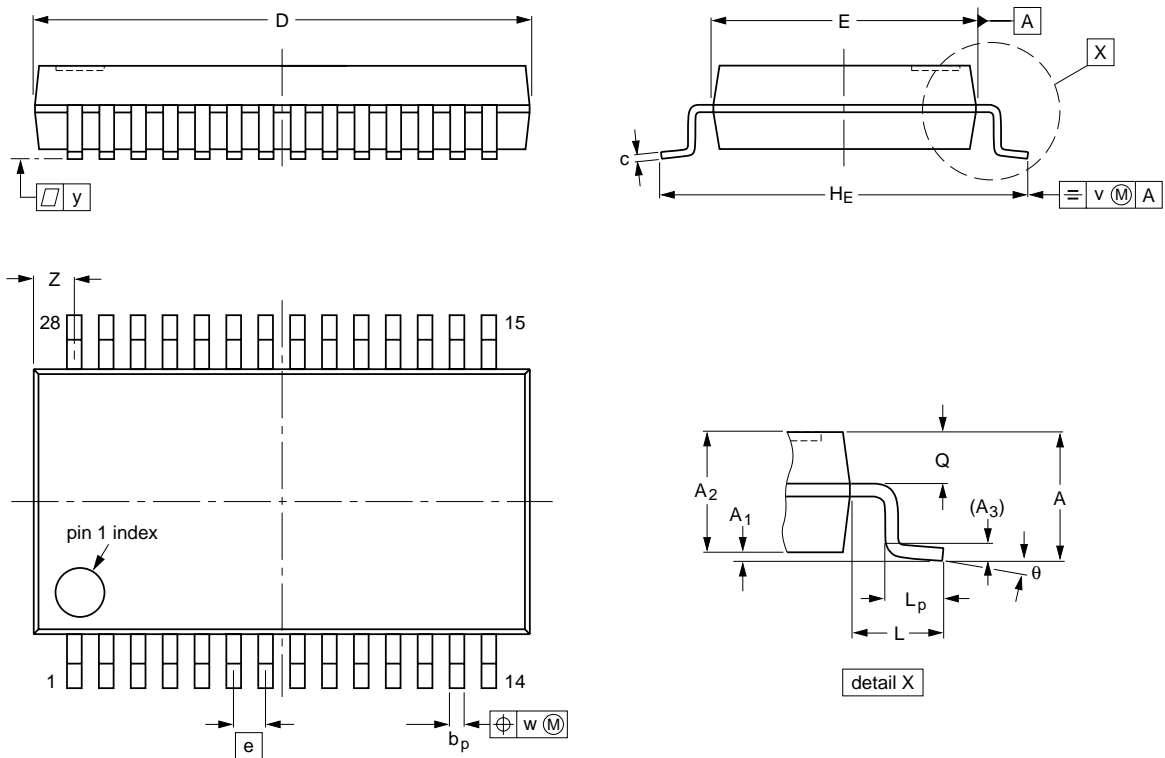
Economy audio CODEC

UDA1345TS

14 PACKAGE OUTLINE

SSOP28: plastic shrink small outline package; 28 leads; body width 5.3 mm

SOT341-1



DIMENSIONS (mm are the original dimensions)

| UNIT | A max. | A <sub>1</sub> | A <sub>2</sub> | A <sub>3</sub> | b <sub>p</sub> | c            | D <sup>(1)</sup> | E <sup>(1)</sup> | e    | H <sub>E</sub> | L    | L <sub>p</sub> | Q          | v   | w    | y   | Z <sup>(1)</sup> | θ        |
|------|--------|----------------|----------------|----------------|----------------|--------------|------------------|------------------|------|----------------|------|----------------|------------|-----|------|-----|------------------|----------|
| mm   | 2.0    | 0.21<br>0.05   | 1.80<br>1.65   | 0.25           | 0.38<br>0.25   | 0.20<br>0.09 | 10.4<br>10.0     | 5.4<br>5.2       | 0.65 | 7.9<br>7.6     | 1.25 | 1.03<br>0.63   | 0.9<br>0.7 | 0.2 | 0.13 | 0.1 | 1.1<br>0.7       | 8°<br>0° |

Note

1. Plastic or metal protrusions of 0.20 mm maximum per side are not included.

| OUTLINE VERSION | REFERENCES |        |      | EUROPEAN PROJECTION | ISSUE DATE           |
|-----------------|------------|--------|------|---------------------|----------------------|
|                 | IEC        | JEDEC  | EIAJ |                     |                      |
| SOT341-1        |            | MO-150 |      |                     | 95-02-04<br>99-12-27 |



## Economy audio CODEC

## UDA1345TS

### 15 SOLDERING

#### 15.1 Introduction to soldering surface mount packages

This text gives a very brief insight to a complex technology. A more in-depth account of soldering ICs can be found in our *"Data Handbook IC26; Integrated Circuit Packages"* (document order number 9398 652 90011).

There is no soldering method that is ideal for all surface mount IC packages. Wave soldering can still be used for certain surface mount ICs, but it is not suitable for fine pitch SMDs. In these situations reflow soldering is recommended.

#### 15.2 Reflow soldering

Reflow soldering requires solder paste (a suspension of fine solder particles, flux and binding agent) to be applied to the printed-circuit board by screen printing, stencilling or pressure-syringe dispensing before package placement.

Several methods exist for reflowing; for example, convection or convection/infrared heating in a conveyor type oven. Throughput times (preheating, soldering and cooling) vary between 100 and 200 seconds depending on heating method.

Typical reflow peak temperatures range from 215 to 250 °C. The top-surface temperature of the packages should preferably be kept below 220 °C for thick/large packages, and below 235 °C for small/thin packages.

#### 15.3 Wave soldering

Conventional single wave soldering is not recommended for surface mount devices (SMDs) or printed-circuit boards with a high component density, as solder bridging and non-wetting can present major problems.

To overcome these problems the double-wave soldering method was specifically developed.

If wave soldering is used the following conditions must be observed for optimal results:

- Use a double-wave soldering method comprising a turbulent wave with high upward pressure followed by a smooth laminar wave.
- For packages with leads on two sides and a pitch (e):
  - larger than or equal to 1.27 mm, the footprint longitudinal axis is **preferred** to be parallel to the transport direction of the printed-circuit board;
  - smaller than 1.27 mm, the footprint longitudinal axis **must** be parallel to the transport direction of the printed-circuit board.

The footprint must incorporate solder thieves at the downstream end.

- For packages with leads on four sides, the footprint must be placed at a 45° angle to the transport direction of the printed-circuit board. The footprint must incorporate solder thieves downstream and at the side corners.

During placement and before soldering, the package must be fixed with a droplet of adhesive. The adhesive can be applied by screen printing, pin transfer or syringe dispensing. The package can be soldered after the adhesive is cured.

Typical dwell time is 4 seconds at 250 °C.

A mildly-activated flux will eliminate the need for removal of corrosive residues in most applications.

#### 15.4 Manual soldering

Fix the component by first soldering two diagonally-opposite end leads. Use a low voltage (24 V or less) soldering iron applied to the flat part of the lead. Contact time must be limited to 10 seconds at up to 300 °C.

When using a dedicated tool, all other leads can be soldered in one operation within 2 to 5 seconds between 270 and 320 °C.

Economy audio CODEC

UDA1345TS

15.5 Suitability of surface mount IC packages for wave and reflow soldering methods

| PACKAGE                                      | SOLDERING METHOD                  |                       |
|--|-----------------------------------|-----------------------|
|  | WAVE                              | REFLOW <sup>(1)</sup> |
| BGA, LFBGA, SQFP, TFBGA                      | not suitable                      | suitable              |
| HBCC, HLQFP, HSQFP, HSOP, HTQFP, HTSSOP, SMS | not suitable <sup>(2)</sup>       | suitable              |
| PLCC <sup>(3)</sup> , SO, SOJ                | suitable                          | suitable              |
| LQFP, QFP, TQFP                              | not recommended <sup>(3)(4)</sup> | suitable              |
| SSOP, TSSOP, VSO                             | not recommended <sup>(5)</sup>    | suitable              |

Notes

1. All surface mount (SMD) packages are moisture sensitive. Depending upon the moisture content, the maximum temperature (with respect to time) and body size of the package, there is a risk that internal or external package cracks may occur due to vaporization of the moisture in them (the so called popcorn effect). For details, refer to the Drypack information in the “Data Handbook IC26; Integrated Circuit Packages; Section: Packing Methods”.
2. These packages are not suitable for wave soldering as a solder joint between the printed-circuit board and heatsink (at bottom version) can not be achieved, and as solder may stick to the heatsink (on top version).
3. If wave soldering is considered, then the package must be placed at a 45° angle to the solder wave direction. The package footprint must incorporate solder thieves downstream and at the side corners.
4. Wave soldering is only suitable for LQFP, TQFP and QFP packages with a pitch (e) equal to or larger than 0.8 mm; it is definitely not suitable for packages with a pitch (e) equal to or smaller than 0.65 mm.
5. Wave soldering is only suitable for SSOP and TSSOP packages with a pitch (e) equal to or larger than 0.65 mm; it is definitely not suitable for packages with a pitch (e) equal to or smaller than 0.5 mm.

## Economy audio CODEC

## UDA1345TS

## 16 DATA SHEET STATUS

| DATA SHEET STATUS <sup>(1)</sup> | PRODUCT STATUS <sup>(2)</sup> | DEFINITIONS  |
|----------------------------------|-------------------------------|--|
| Objective data                   | Development                   | This data sheet contains data from the objective specification for product development. Philips Semiconductors reserves the right to change the specification in any manner without notice.  |
| Preliminary data                 | Qualification                 | This data sheet contains data from the preliminary specification. Supplementary data will be published at a later date. Philips Semiconductors reserves the right to change the specification without notice, in order to improve the design and supply the best possible product.                                     |
| Product data                     | Production                    | This data sheet contains data from the product specification. Philips Semiconductors reserves the right to make changes at any time in order to improve the design, manufacturing and supply. Changes will be communicated according to the Customer Product/Process Change Notification (CPCN) procedure SNW-SQ-650A. |

## Notes

1. Please consult the most recently issued data sheet before initiating or completing a design.
2. The product status of the device(s) described in this data sheet may have changed since this data sheet was published. The latest information is available on the Internet at URL <http://www.semiconductors.philips.com>.

## 17 DEFINITIONS

**Short-form specification** — The data in a short-form specification is extracted from a full data sheet with the same type number and title. For detailed information see the relevant data sheet or data handbook.

**Limiting values definition** — Limiting values given are in accordance with the Absolute Maximum Rating System (IEC 60134). Stress above one or more of the limiting values may cause permanent damage to the device. These are stress ratings only and operation of the device at these or at any other conditions above those given in the Characteristics sections of the specification is not implied. Exposure to limiting values for extended periods may affect device reliability.

**Application information** — Applications that are described herein for any of these products are for illustrative purposes only. Philips Semiconductors make no representation or warranty that such applications will be suitable for the specified use without further testing or modification.

## 18 DISCLAIMERS

**Life support applications** — These products are not designed for use in life support appliances, devices, or systems where malfunction of these products can reasonably be expected to result in personal injury. Philips Semiconductors customers using or selling these products for use in such applications do so at their own risk and agree to fully indemnify Philips Semiconductors for any damages resulting from such application.

**Right to make changes** — Philips Semiconductors reserves the right to make changes, without notice, in the products, including circuits, standard cells, and/or software, described or contained herein in order to improve design and/or performance. Philips Semiconductors assumes no responsibility or liability for the use of any of these products, conveys no licence or title under any patent, copyright, or mask work right to these products, and makes no representations or warranties that these products are free from patent, copyright, or mask work right infringement, unless otherwise specified.

# ***Philips Semiconductors – a worldwide company***

## **Contact information**

For additional information please visit <http://www.semiconductors.philips.com>. Fax: +31 40 27 24825

For sales offices addresses send e-mail to: [sales.addresses@www.semiconductors.philips.com](mailto:sales.addresses@www.semiconductors.philips.com).

© Koninklijke Philips Electronics N.V. 2002

SCA74

All rights are reserved. Reproduction in whole or in part is prohibited without the prior written consent of the copyright owner.

The information presented in this document does not form part of any quotation or contract, is believed to be accurate and reliable and may be changed without notice. No liability will be accepted by the publisher for any consequence of its use. Publication thereof does not convey nor imply any license under patent- or other industrial or intellectual property rights.

Printed in The Netherlands

753503/04/pp28

Date of release: 2002 May 28

Document order number: 9397 750 09587

*Let's make things better.*

**Philips  
Semiconductors**



**PHILIPS**