

AR1000 Touch Controller

Summary

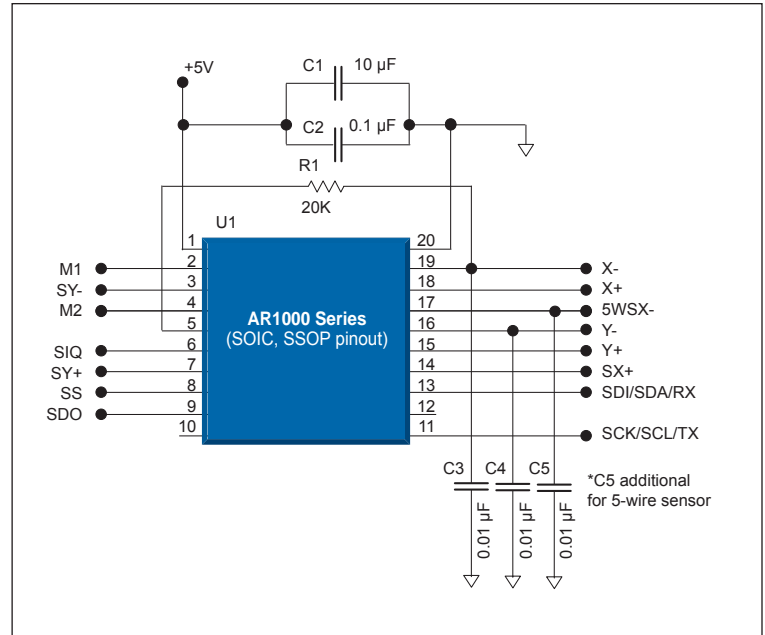
The mTouch™ AR1000 Series Resistive Touch Screen Controller is a complete, easy to integrate, cost effective and universal touch screen controller chip solution.

The AR1000 Series is designed for high volume, small form factor touch solutions with quick time to market requirements.

Developed by touch experts with more than 15 years experience, the AR1000 Series has sophisticated proprietary touch screen decoding algorithms allowing it to send your application fully processed and reliable touch coordinates.

Features

- Turnkey Touch Solution
- Built in Decoding and Advanced Filtering
- Controller Driven Calibration
- Low Cost with Few External Components
- Universal 4, 5 and 8-wire Support
- Fast Time to Market
- Small Footprint
- Low Power
- SPI, I²C™, UART Support
- Developed by Touch Experts



AR1000 Touch Controller

	Microchip Benefit	Other Touch Screen Controllers
Touch Solution	Turnkey touch solution – easy integration for an accelerated development cycle	Incomplete, requires significant engineering to decode, filter and calibrate
Touch Coordinates	Delivers accurate touch coordinates with built in decoding and advanced filtering	Not provided, requires customer to become a “touch” expert
Software Driver Support	Controller Driven Calibration – No Software Drivers Needed!	Incomplete, requires that users write calibration drivers
Design Cost	Low – including few required components	High – including required components
Sensor Support	Universal sensor support for all 4, 5 and 8-wire screens (wide tolerance range)	Typically support 4-wire only (Tolerance variation may require redesign)
Design Time to Market	Fast – no learning curve, works out of the box	Slow – long learning curve, trial and error development
PCB Real Estate	Small foot print, minimal real estate	Large foot print
Touch Expertise	15+ years of touch expertise	Minimal
Integration	Easy	Difficult



MICROCHIP

Microchip Technology Incorporated

Support

Microchip is committed to supporting its customers in developing products faster and more efficiently. We maintain a worldwide network of field applications engineers and technical support ready to provide product and system assistance. In addition, the following service areas are available at www.microchip.com:

- **Support** link provides a way to get questions answered fast: <http://support.microchip.com>
- **Sample** link offers evaluation samples of any Microchip device: <http://sample.microchip.com>
- **Forum** link provides access to knowledge base and peer help: <http://forum.microchip.com>
- **Buy** link provides locations of Microchip Sales Channel Partners: www.microchip.com/sales

Sales Office Listing

AMERICAS

Atlanta

Tel: 678-957-9614

Boston

Tel: 774-760-0087

Chicago

Tel: 630-285-0071

Cleveland

Tel: 216-447-0464

Dallas

Tel: 972-818-7423

Detroit

Tel: 248-538-2250

Kokomo

Tel: 765-864-8360

Los Angeles

Tel: 949-462-9523

Santa Clara

Tel: 408-961-6444

Toronto

Mississauga, Ontario

Tel: 905-673-0699

EUROPE

Austria - Wels

Tel: 43-7242-2244-39

Denmark - Copenhagen

Tel: 45-4450-2828

France - Paris

Tel: 33-1-69-53-63-20

Germany - Munich

Tel: 49-89-627-144-0

Italy - Milan

Tel: 39-0331-742611

Netherlands - Drunen

Tel: 31-416-690399

Spain - Madrid

Tel: 34-91-708-08-90

UK - Wokingham

Tel: 44-118-921-5869

Training

If additional training interests you, then Microchip can help. We continue to expand our technical training options, offering a growing list of courses and in-depth curriculum locally, as well as significant online resources – whenever you want to use them.

- Regional Training Centers: www.microchip.com/rtc
- MASTERS Conferences: www.microchip.com/masters
- Worldwide Seminars: www.microchip.com/seminars
- eLearning: www.microchip.com/webseminars
- Resources from our Distribution and Third Party Partners www.microchip.com/training

ASIA/PACIFIC

Australia - Sydney

Tel: 61-2-9868-6733

China - Beijing

Tel: 86-10-8528-2100

China - Chengdu

Tel: 86-28-8665-5511

China - Hong Kong SAR

Tel: 852-2401-1200

China - Nanjing

Tel: 86-25-8473-2460

China - Qingdao

Tel: 86-532-8502-7355

China - Shanghai

Tel: 86-21-5407-5533

China - Shenyang

Tel: 86-24-2334-2829

China - Shenzhen

Tel: 86-755-8203-2660

China - Wuhan

Tel: 86-27-5980-5300

China - Xiamen

Tel: 86-592-2388138

China - Xian

Tel: 86-29-8833-7252

China - Zhuhai

Tel: 86-756-3210040

ASIA/PACIFIC

India - Bangalore

Tel: 91-80-3090-4444

India - New Delhi

Tel: 91-11-4160-8631

India - Pune

Tel: 91-20-2566-1512

Japan - Yokohama

Tel: 81-45-471- 6166

Korea - Daegu

Tel: 82-53-744-4301

Korea - Seoul

Tel: 82-2-554-7200

Malaysia - Kuala Lumpur

Tel: 60-3-6201-9857

Malaysia - Penang

Tel: 60-4-227-8870

Philippines - Manila

Tel: 63-2-634-9065

Singapore

Tel: 65-6334-8870

Taiwan - Hsin Chu

Tel: 886-3-6578-300

Taiwan - Kaohsiung

Tel: 886-7-536-4818

Taiwan - Taipei

Tel: 886-2-2500-6610

Thailand - Bangkok

Tel: 66-2-694-1351

3/26/09



MICROCHIP
www.microchip.com/tsharc

Visit our web site for additional product information and to locate your local sales office.

Microchip Technology Inc. • 2355 W. Chandler Blvd. • Chandler, AZ 85224-6199

Microcontrollers • Digital Signal Controllers • Analog • Serial EEPROMs

Information subject to change. The Microchip name and logo and the Microchip logo are registered trademarks of Microchip Technology Incorporated in the U.S.A. and other countries. tsharc is a trademark of Microchip Technology Incorporated in the U.S.A. and other countries. All other trademarks mentioned herein are property of their respective companies. © 2009, Microchip Technology Incorporated. All Rights Reserved. Printed in the U.S.A. 5/09

DS01273A

