



FTG for VIA Pentium® 4 Chipsets

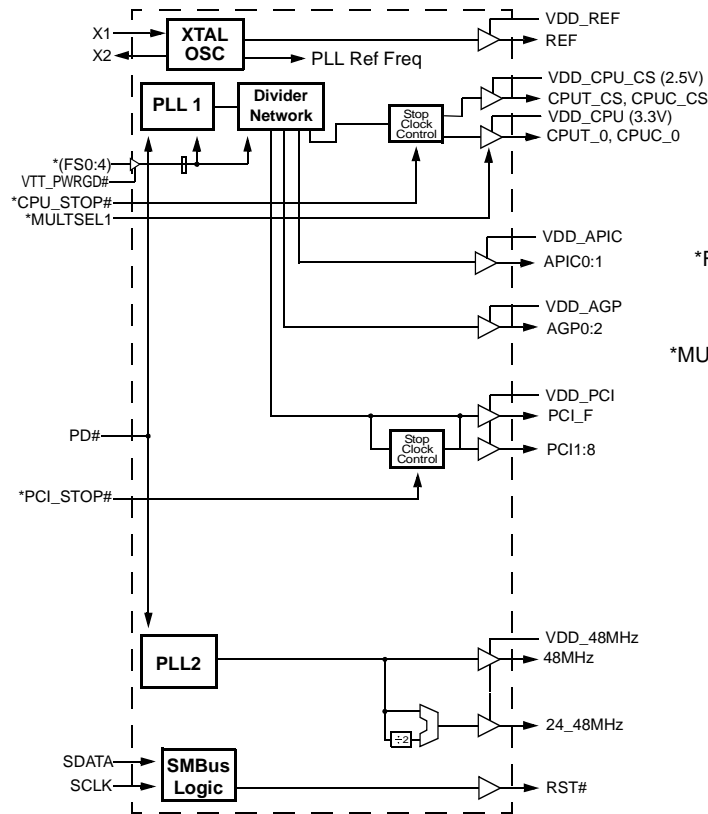
Features

- Spread Spectrum Frequency Timing Generator for VIA Pentium® 4 Chipsets
- Programmable clock output frequency with less than 1 MHz increment
- Integrated fail-safe Watchdog Timer for system recovery
- Automatically switch to hardware-selected or software-programmed clock frequency when Watchdog Timer time-out
- Capable of generate system RESET after a Watchdog Timer time-out occurs or a change in output frequency via SMBus interface

- Support SMBus Byte Read/Write and Block Read/Write operations to simplify system BIOS development
- Vendor ID and Revision ID support
- Programmable-drive strength support
- Programmable-output skew support
- Three copies of 66-MHz output
- Power management control inputs
- Available in 48-pin SSOP

CPU	AGP	PCI	REF	APIC	48M	24_48M
x 3	x 3	x 9	x 1	x 2	x 1	x 1

Block Diagram



Pin Configuration^[1]

SSOP-48

Pin	Signal	Pin	Signal
1	*FS4/REF	48	VDD_APIC
2	VDD_REF	47	GND_APIC
3	GND_REF	46	APIC0
4	X1	45	APIC1
5	X2	44	GND_CPU
6	VDD_48MHz	43	VDD_CPU_CS(2.5V)
7	*FS3/48MHz	42	CPUT_CS_F
8	*FS2/24_48MHz	41	CPUC_CS_F
9	GND_48MHz	40	CPUT_0
10	*FS0/PCI_F	39	CPUC_0
11	*FS1/PCI1	38	VDD_CPU(3.3V)
12	*MULT_SEL1/PCI2	37	IREF
13	GND_PCI	36	GND_CPU
14	PCI3	35	CPUT_1
15	PCI4	34	CPUC_1
16	VDD_PCI	33	VTT_PWRGD#
17	PCI5	32	CPU_STOP#*
18	PCI6	31	PCI_STOP#*
19	PCI7	30	RST#
20	GND_PCI	29	SDATA
21	PCI8	28	SCLK
22	*PD#	27	AGP2
23	AGP0	26	AGP1
24	VDD_AGP	25	GND_AGP

Note:

1. Pins marked with [*] have internal pull-up resistors. Pins marked with [^] have internal pull-down resistors.

Pin Definitions

Pin Name	Pin No.	Pin Type	Pin Description
X1	4	I	Crystal Connection or External Reference Frequency Input: This pin has dual functions. It can be used as an external 14.318-MHz crystal connection or as an external reference frequency input.
X2	5	O	Crystal Connection: Connection for an external 14.318-MHz crystal. If using an external reference, this pin must be left unconnected.
REF/FS4	1	I/O	Reference Clock Output/Frequency Select 4: 3.3V 14.318-MHz output. This pin also serves as a power-on strap option to determine device operating frequency as described in the Frequency Selection Table.
CPUT_0:1 CPUC_0:1	40, 39, 35, 34	O	CPU Clock Outputs: Frequency is set by the FS0:4 inputs or through serial input interface.
CPUT_CS_F CPUC_CS_F	42, 41	O	CPU Clock Outputs for Chipset: Frequency is set by the FS0:4 inputs or through serial input interface.
APIC0:1	46, 45	O	APIC Clock Output: APIC clock outputs running at half of PCI output frequency.
AGP 0:2	23, 26, 27	O	AGP Clock Output: 3.3V AGP clock.
PCI_F/FS0	10	I/O	Free-running PCI Output 1/Frequency Select 1: 3.3V free-running PCI output. This pin also serves as a power-on strap option to determine device operating frequency as described in the Frequency Selection Table.
PCI1/FS1	11	I/O	PCI Output 1 /Frequency Select 1: 3.3V PCI output. This pin also serves as a power-on strap option to determine device operating frequency as described in the Frequency Selection Table.
PCI2/MULTSEL 1	12	I/O	PCI Output 2/Current Multiplier Selection 1: 3.3V PCI output. This pin also serves as a power-on strap option to determine the current multiplier for the CPU clock outputs. The MULTSEL definitions are as follows: MULTSEL 0 = loh is 4 x IREF 1 = loh is 6 x IREF
PCI3:8	14, 15, 17, 18, 19, 21	O	PCI Clock Output 3 to 8: 3.3V PCI clock outputs.
48MHz/FS3	7	I/O	48-MHz Output/Frequency Select 3: 3.3V fixed 48-MHz, non-spread spectrum output. This pin also serves as a power-on strap option to determine device operating frequency as described in the Frequency Selection Table.
24_48MHz/FS2	8	I/O	24- or 48-MHz Output/Frequency Select 2: 3.3V fixed 24- or 48-MHz non-spread spectrum output. This pin also serves as a power-on strap option to determine device operating frequency as described in the Frequency Selection Table.
CPU_STOP#	32	I	CPU Output Control: 3.3V LVTTTL-compatible input that disables CPUT_CS, CPUC_CS, CPUT_0:1 and CPUC_0:1.
PCI_STOP#	31	I	PCI Output Control: 3.3V LVTTTL-compatible input that disables PCI1:8.
PD#	22	I	Power-down Control: 3.3V LVTTTL-compatible input that places the device in power down mode when held LOW.
SCLK	28	I	SMBus Clock Input: Clock pin for serial interface.
SDATA	29	I/O	SMBus Data Input: Data pin for serial interface.
RST#	30	O (open-d rain)	System Reset Output: Open-drain system reset output.
IREF	37	I	Current Reference for CPU output: A precision resistor is attached to this pin, which is connected to the internal current reference.

Pin Definitions (continued)

Pin Name	Pin No.	Pin Type	Pin Description
VTT_PWRGD#	33	I	Power-good from Voltage Regulator Module (VRM): 3.3V LVTTL input. VTT_PWRGD# is a level sensitive strobe used to determine when FS0:4 and MULTSEL inputs are valid and OK to be sampled (Active LOW). Once VTT_PWRGD# is sampled LOW, the status of this input will be ignored.
VDD_CPU_CS, VDD_APIC	43, 48	P	2.5V Power Connection: Power supply for CPU_CS outputs buffers and APIC output buffers. Connect to 2.5V.
VDD_REF, VDD_48MHz, VDD_PCI, VDD_AGP, VDD_CPU	2, 6, 16, 24, 38	P	3.3V Power Connection: Power supply for CPU outputs buffers, 3V66 output buffers, PCI output buffers, reference output buffers and 48-MHz output buffers. Connect to 3.3V.
GND_REF GND_48MHz, GND_PCI, GND_AGP, GND_CPU, GND_APIC	3, 9, 13, 20, 25, 36, 44, 47	G	Ground Connection: Connect all ground pins to the common system ground plane.

Swing Select Functions through Hardware

MULTSEL1	Board Target Trace/Term Z	Reference R, IREF = VDD/(3*Rr)	Output Current	V _{OH} @ Z,
0	50Ω	Rr = 221 1%, IREF = 5.00 mA	I _{OH} = 4*Iref	1.0V @ 50
0	60Ω	Rr = 221 1%, IREF = 5.00 mA	I _{OH} = 4*Iref	1.2V @ 60
1	50Ω	Rr = 221 1%, IREF = 5.00 mA	I _{OH} = 6*Iref	1.5V @ 50
1	60Ω	Rr = 221 1%, IREF = 5.00 mA	I _{OH} = 6*Iref	1.8V @ 60
0	50Ω	Rr = 475 1%, IREF = 2.32 mA	I _{OH} = 4*Iref	0.47V @ 50
0	60Ω	Rr = 475 1%, IREF = 2.32 mA	I _{OH} = 4*Iref	0.56V @ 60
1	50Ω	Rr = 475 1%, IREF = 2.32 mA	I _{OH} = 6*Iref	0.7V @ 50
1	60Ω	Rr = 475 1%, IREF = 2.32 mA	I _{OH} = 6*Iref	0.84V @ 60

Swing Select Functions

MultSEL1	MultSELO	Board Target Trace/Term Z	Reference R, IREF = VDD/(3*Rr)	Output Current	V _{OH} @ Z
0	0	50Ω	Rr = 221 1%, IREF = 5.00 mA	I _{OH} = 4*Iref	1.0V @ 50
0	0	60Ω	Rr = 221 1%, IREF = 5.00	I _{OH} = 4*Iref	1.2V @ 60
0	1	50Ω	Rr = 221 1%, IREF = 5.00 mA	I _{OH} = 5*Iref	1.25V @ 50

Swing Select Functions (continued)

MultSEL1	MultSELO	Board Target Trace/Term Z	Reference R, IREF = VDD/(3*Rr)	Output Current	V _{OH} @ Z
0	1	60Ω	Rr = 221 1%, IREF = 5.00 mA	I _{OH} = 5*Iref	1.5V @ 60
1	0	50Ω	Rr = 221 1%, IREF = 5.00 mA	I _{OH} = 6*Iref	1.5V @ 50
1	0	60Ω	Rr = 221 1%, IREF = 5.00 mA	I _{OH} = 6*Iref	1.8V @ 60
1	1	50Ω	Rr = 221 1%, IREF = 5.00 mA	I _{OH} = 7*Iref	1.75V @ 50
1	1	60Ω	Rr = 221 1%, IREF = 5.00 mA	I _{OH} = 7*Iref	2.1V @ 60
0	0	50Ω	Rr = 475 1%, IREF = 2.32 mA	I _{OH} = 4*Iref	0.47V @ 50
0	0	60Ω	Rr = 475 1%, IREF = 2.32 mA	I _{OH} = 4*Iref	0.56V @ 60
0	1	50Ω	Rr = 475 1%, IREF = 2.32 mA	I _{OH} = 5*Iref	0.58V @ 50
0	1	60Ω	Rr = 475 1%, IREF = 2.32 mA	I _{OH} = 5*Iref	0.7V @ 60
1	0	50Ω	Rr = 475 1%, IREF = 2.32 mA	I _{OH} = 6*Iref	0.7V @ 50
1	0	60Ω	Rr = 475 1%, IREF = 2.32 mA	I _{OH} = 6*Iref	0.84V @ 60
1	1	50 Ohm	Rr = 475 1%, IREF = 2.32mA	I _{OH} = 7*Iref	0.81V @ 50
1	1	60 Ohm	Rr = 475 1%, IREF = 2.32mA	I _{OH} = 7*Iref	0.97V @ 60

Serial Data Interface

To enhance the flexibility and function of the clock synthesizer, a two signal serial interface is provided. Through the Serial Data Interface, various device functions such as individual clock output buffers, etc. can be individually enabled or disabled.

The registers associated with the Serial Data Interface initializes to it's default setting upon power-up, and therefore use of this interface is optional. Clock device register changes are normally made upon system initialization, if any are required. The interface can also be used during system operation for power management functions.

Data Protocol

The clock driver serial protocol accepts Byte Write, Byte Read, Block Write and Block Read operation from the controller. For Block Write/Read operation, the bytes must be accessed in sequential order from lowest to highest byte (most significant bit first) with the ability to stop after any complete byte has been transferred. For Byte Write and Byte Read operations, the system controller can access individual indexed bytes. The offset of the indexed byte is encoded in the command code, as described in *Table 1*.

The Block Write and Block Read protocol is outlined in *Table 2*, while *Table 3* outlines the corresponding Byte Write and Byte Read protocol.

The slave receiver address is 11010010 (D2h).

Table 1. Command Code Definition

Bit	Descriptions
7	0 = Block Read or Block Write operation 1 = Byte Read or Byte Write operation
6:0	Byte offset for Byte Read or Byte Write operation. For Block Read or Block Write operations, these bits should be "0000000."

Table 2. Block Read and Block Write Protocol

Block Write Protocol		Block Read Protocol	
Bit	Description	Bit	Description
1	Start	1	Start
2:8	Slave address – 7 bits	2:8	Slave address – 7 bits
9	Write	9	Write
10	Acknowledge from slave	10	Acknowledge from slave
11:18	Command Code – 8 bits “00000000” stands for block operation	11:18	Command Code – 8 bits “00000000” stands for block operation
19	Acknowledge from slave	19	Acknowledge from slave
20:27	Byte Count – 8 bits	20	Repeat start
28	Acknowledge from slave	21:27	Slave address – 7 bits
29:36	Data byte 0 – 8 bits	28	Read
37	Acknowledge from slave	29	Acknowledge from slave
38:45	Data byte 1 – 8 bits	30:37	Byte count from slave – 8 bits
46	Acknowledge from slave	38	Acknowledge
...	Data byte N/Slave acknowledge...	39:46	Data byte from slave – 8 bits
...	Data Byte N – 8 bits	47	Acknowledge
...	Acknowledge from slave	48:55	Data byte from slave – 8 bits
...	Stop	56	Acknowledge
		...	Data bytes from slave/acknowledge
		...	Data byte N from slave – 8 bits
		...	Not acknowledge
		...	Stop

Table 3. Byte Read and Byte Write Protocol

Byte Write Protocol		Byte Read Protocol	
Bit	Description	Bit	Description
1	Start	1	Start
2:8	Slave address – 7 bits	2:8	Slave address – 7 bits
9	Write	9	Write
10	Acknowledge from slave	10	Acknowledge from slave
11:18	Command Code – 8 bits “1xxxxxx” stands for byte operation; bit[6:0] of the command code represents the offset of the byte to be accessed	11:18	Command Code – 8 bits “1xxxxxx” stands for byte operation; bit[6:0] of the command code represents the offset of the byte to be accessed
19	Acknowledge from slave	19	Acknowledge from slave
20:27	Data byte – 8 bits	20	Repeat start
28	Acknowledge from slave	21:27	Slave address – 7 bits
29	Stop	28	Read
		29	Acknowledge from slave
		30:37	Data byte from slave – 8 bits
		38	Not acknowledge
		39	Stop

Data Byte Configuration Map
Data Byte 0

Bit	Pin#	Name	Description	Power-on Default
Bit 7	–	Reserved	Reserved	0
Bit 6	–	SEL2	SW Frequency selection bits. Refer to Frequency Selection Table	0
Bit 5	–	SEL1	SW Frequency selection bits. Refer to Frequency Selection Table	0
Bit 4	–	SEL0	SW Frequency selection bits. Refer to Frequency Selection Table	0
Bit 3	–	FS_Override	0 = Select operating frequency by FS[4:0] input pins 1 = Select operating frequency by SEL[4:0] settings	0
Bit 2	–	SEL4	SW Frequency selection bits. Refer to Frequency Selection Table	0
Bit 1	–	SEL3	SW Frequency selection bits. Refer to Frequency Selection Table	0
Bit 0	–	Reserved	Reserved	0

Data Byte 1

Bit	Pin#	Name	Description	Power-on Default
Bit 7	–	Reserved	Reserved	0
Bit 6	–	Spread Select2	“000” = OFF “001” = Reserved “010” = Reserved “011” = Reserved “100” = ± 0.25% “101” = – 0.5% “110” = ±0.5% “111” = ±0.38%	0
Bit 5	–	Spread Select1		0
Bit 4	–	Spread Select0		0
Bit 3	42, 41	CPUT_CS, CPUC_CS		(Active/Inactive)
Bit 2	35, 34	CPUT_1, CPUC_1	(Active/Inactive)	1
Bit 1	40, 39	CPUT_0, CPUC_0	(Active/Inactive)	1
Bit 0	–	CPU_CS_F STOP Control	1 = CPUT_CS_F and CPUC_CS_F are Free-running outputs 0 = CPUT_CS_F and CPUC_CS_F will be disabled when CPU_STOP# is active	1

Data Byte 2

Bit	Pin#	Name	Pin Description	Power-on Default
Bit 7	21	PCI8	(Active/Inactive)	1
Bit 6	19	PCI7	(Active/Inactive)	1
Bit 5	18	PCI6	(Active/Inactive)	1
Bit 4	17	PCI5	(Active/Inactive)	1
Bit 3	15	PCI4	(Active/Inactive)	1
Bit 2	14	PCI3	(Active/Inactive)	1
Bit 1	12	PCI2	(Active/Inactive)	1
Bit 0	11	PCI1	(Active/Inactive)	1

Data Byte 3

Bit	Pin#	Name	Pin Description	Power-on Default
Bit 7	–	Reserved	Reserved	0
Bit 6	8	SEL_48MHZ	0 = 24 MHz 1 = 48 MHz	0
Bit 5	7	48MHz	(Active/Inactive)	1
Bit 4	8	24_48MHz	(Active/Inactive)	1
Bit 3	10	PCI_F	(Active/Inactive)	1
Bit 2	27	AGP2	(Active/Inactive)	1
Bit 1	26	AGP1	(Active/Inactive)	1
Bit 0	23	AGP0	(Active/Inactive)	1

Data Byte 4

Bit	Pin#	Name	Pin Description	Power-on Default
Bit 7	–	PCI_Skew1	PCI skew control 00 = Normal 01 = –500 ps 10 = Reserved 11 = +500 ps	0
Bit 6	–	PCI_Skew0		0
Bit 5	–	WD_TIMER4	These bits store the time-out value of the Watchdog Timer. The scale of the timer is determine by the prescaler. The timer can support a value of 150 ms to 4.8 sec when the prescaler is set to 150 ms. If the prescaler is set to 2.5 sec, it can support a value from 2.5 sec to 80 sec. When the Watchdog Timer reaches “0,” it will set the WD_TO_STATUS bit and generate Reset if RST_EN_WD is enabled.	1
Bit 4	–	WD_TIMER3		1
Bit 3	–	WD_TIMER2		1
Bit 2	–	WD_TIMER1		1
Bit 1	–	WD_TIMER0		1
Bit 0	–	WD_PRE_SCALER		0 = 150 ms 1 = 2.5 sec

Data Byte 5

Bit	Pin#	Name	Pin Description	Power-on Default
Bit 7	7	48MHz_DRV	48-MHz clock output drive strength 0 = Normal 1 = High Drive	1
Bit 6	8	24_48MHz_DRV	24_48 MHz clock output drive strength 0 = Normal 1 = High Drive	1
Bit 5	45	APCI1	(Active/Inactive)	1
Bit 4	46	APIC0	(Active/Inactive)	1
Bit 3	–	SW_MULTSEL1	IREF multiplier 00 = Ioh is 4 × IREF 01 = Ioh is 5 × IREF 10 = Ioh is 6 × IREF 11 = Ioh is 7 × IREF	0
Bit 2	–	SW_MULTSELO		0
Bit 1	1	REF	(Active/Inactive)	1
Bit 0	–	MULTSEL_Override	This bit control the selection of IREF multiplier. 0 = HW control; IREF multiplier is determined by MULTSEL1 input pin 1 = SW control; IREF multiplier is determined by SW_MULTSEL[0:1]	0

Data Byte 6

Bit	Pin#	Name	Pin Description	Power-on Default
Bit 7	–	Reserved	Reserved	1
Bit 6	–	Reserved	Reserved	1
Bit 5	–	Reserved	Reserved	1
Bit 4	–	Reserved	Reserved	1
Bit 3	–	Reserved	Reserved	1
Bit 2	–	Reserved	Reserved	1
Bit 1	–	Reserved	Reserved	1
Bit 0	–	Reserved	Reserved	1

Data Byte 7

Bit	Pin#	Name	Pin Description	Power-on Default
Bit 7	–	Reserved	Reserved	1
Bit 6	–	Reserved	Reserved	1
Bit 5	–	Reserved	Reserved	1
Bit 4	–	Reserved	Reserved	1
Bit 3	–	Reserved	Reserved	1
Bit 2	–	Reserved	Reserved	1
Bit 1	–	Reserved	Reserved	1
Bit 0	–	Reserved	Reserved	1

Data Byte 8

Bit	Pin#	Name	Pin Description	Power-on Default
Bit 7	–	Revision_ID3	Revision ID bit[3]	0
Bit 6	–	Revision_ID2	Revision ID bit[2]	0
Bit 5	–	Revision_ID1	Revision ID bit[1]	0
Bit 4	–	Revision_ID0	Revision ID bit[0]	0
Bit 3	–	Vendor_ID3	Bit[3] of Cypress's Vendor ID. This bit is Read-only.	1
Bit 2	–	Vendor_ID2	Bit[2] of Cypress's Vendor ID. This bit is Read-only.	0
Bit 1	–	Vendor_ID1	Bit[1] of Cypress's Vendor ID. This bit is Read-only.	0
Bit 0	–	Vendor_ID0	Bit[0] of Cypress's Vendor ID. This bit is Read-only.	0

Data Byte 9

Bit	Pin#	Name	Pin Description	Power-on Default
Bit 7	–	Reserved	Reserved	0
Bit 6	–	PCI_DRV	PCI clock output drive strength 0 = Normal 1 = High Drive	0
Bit 5	–	AGP_DRV	AGP clock output drive strength 0 = Normal 1 = High Drive	0
Bit 4	–	RST_EN_WD	This bit will enable the generation of a Reset pulse when a Watchdog timer time-out occurs. 0 = Disabled 1 = Enabled	0

Data Byte 9 (continued)

Bit	Pin#	Name	Pin Description	Power-on Default
Bit 3	–	RST_EN_FC	This bit will enable the generation of a Reset pulse after a frequency change occurs. 0 = Disabled 1 = Enabled	0
Bit 2	–	WD_TO_STAT US	Watchdog Timer Time-out Status Bit 0 = No time-out occurs (Read); Ignore (Write) 1 = time-out occurred (Read); Clear WD_TO_STATUS (Write)	0
Bit 1	–	WD_EN	0 = Stop and re-load Watchdog timer 1 = Enable Watchdog timer. It will start counting down after a frequency change occurs. Note: CY28325-2 will generate system reset, re-load a recovery frequency, and lock itself into a recovery frequency mode after a Watchdog timer time-out occurs. Under recovery frequency mode, CY28325-2 will not respond to any attempt to change output frequency via the SMBus control bytes. System software can unlock W305B from its recovery frequency mode by clearing the WD_EN bit.	0
Bit 0	–	Reserved	Reserved	0

Data Byte 10

Bit	Pin#	Name	Pin Description	Power-on Default
Bit 7	–	CPU_CS_F Skew2	CPU_CS_F Skew Control 000 = Normal 001 = –150 ps 010 = –300 ps 011 = –450 ps 100 = +150 ps 101 = +300 ps 110 = +450 ps 111 = +600 ps	0
Bit 6	–	CPU_CS_F Skew1		0
Bit 5	–	CPU_CS_F Skew0		0
Bit 4	–	CPU_Skew2	CPUT_0:1 and CPUC_0:1 Skew Control 000 = Normal 001 = –150 ps 010 = –300 ps 011 = –450 ps 100 = +150 ps 101 = +300 ps 110 = +450 ps 111 = +600 ps	0
Bit 3	–	CPU_Skew1		0
Bit 2	–	CPU_Skew0		0
Bit 1	–	AGP_Skew1	AGP Skew control 00 = Normal 01 = –150 ps 10 = +150 ps 11 = +300 ps	0
Bit 0	–	AGP_Skew0		0

Data Byte 11

Bit	Pin#	Name	Pin Description	Power-on Default
Bit 7	–	ROCV_FREQ_N7	If ROCV_FREQ_SEL is set, the values programmed in ROCV_FREQ_N[7:0] and ROCV_FREQ_M[6:0] will be used to determine the recovery CPU output frequency when a Watchdog Timer time-out occurs. The setting of FS_Override bit determines the frequency ratio for CPU and other output clocks. When FS_Override bit is cleared, the same frequency ratio stated in the Latched FS[4:0] register will be used. When it is set, the frequency ratio stated in the SEL[4:0] register will be used.	0
Bit 6	–	ROCV_FREQ_N6		0
Bit 5	–	ROCV_FREQ_N5		0
Bit 4	–	ROCV_FREQ_N4		0
Bit 3	–	ROCV_FREQ_N3		0
Bit 2	–	ROCV_FREQ_N2		0
Bit 1	–	ROCV_FREQ_N1		0
Bit 0	–	ROCV_FREQ_N0		0

Data Byte 12

Bit	Pin#	Name	Pin Description	Power-on Default
Bit 7	–	ROCV_FREQ_SEL	ROCV_FREQ_SEL determines the source of the recover frequency when a Watchdog timer time-out occurs. The clock generator will automatically switch to the recovery CPU frequency based on the selection on ROCV_FREQ_SEL. 0 = From latched FS[4:0] 1 = From the settings of ROCV_FREQ_N[7:0] & ROCV_FREQ_M[6:0]	0
Bit 6	–	ROCV_FREQ_M6	If ROCV_FREQ_SEL is set, the values programmed in ROCV_FREQ_N[7:0] and ROCV_FREQ_M[6:0] will be used to determine the recovery CPU output frequency when a Watchdog Timer time-out occurs. The setting of FS_Override bit determines the frequency ratio for CPU and other output clocks. When FS_Override bit is cleared, the same frequency ratio stated in the Latched FS[4:0] register will be used. When it is set, the frequency ratio stated in the SEL[4:0] register will be used.	0
Bit 5	–	ROCV_FREQ_M5		0
Bit 4	–	ROCV_FREQ_M4		0
Bit 3	–	ROCV_FREQ_M3		0
Bit 2	–	ROCV_FREQ_M2		0
Bit 1	–	ROCV_FREQ_M1		0
Bit 0	–	ROCV_FREQ_M0		0

Data Byte 13

Bit	Pin#	Name	Pin Description	Power-on Default
Bit 7	–	CPU_FSEL_N7	If Prog_Freq_EN is set, the values programmed in CPU_FSEL_N[7:0] and CPU_FSEL_M[6:0] will be used to determine the CPU output frequency. The new frequency will start to load whenever CPU_FSELM[6:0] is updated. The setting of FS_Override bit determines the frequency ratio for CPU and other output clocks. When it is cleared, the same frequency ratio stated in the Latched FS[4:0] register will be used. When it is set, the frequency ratio stated in the SEL[4:0] register will be used.	0
Bit 6	–	CPU_FSEL_N6		0
Bit 5	–	CPU_FSEL_N5		0
Bit 4	–	CPU_FSEL_N4		0
Bit 3	–	CPU_FSEL_N3		0
Bit 2	–	CPU_FSEL_N2		0
Bit 1	–	CPU_FSEL_N1		0
Bit 0	–	CPU_FSEL_N0		0

Data Byte 14

Bit	Pin#	Name	Pin Description	Power-on Default
Bit 7	–	Pro_Freq_EN	Programmable output frequencies enabled 0 = Disabled 1 = Enabled	0

Data Byte 14 (continued)

Bit	Pin#	Name	Pin Description	Power-on Default
Bit 6	–	CPU_FSEL_M6	If Prog_Freq_EN is set, the values programmed in CPU_FSEL_N[7:0] and CPU_FSEL_M[6:0] will be used to determine the CPU output frequency. The new frequency will start to load whenever CPU_FSELM[6:0] is updated. The setting of FS_Override bit determines the frequency ratio for CPU and other output clocks. When it is cleared, the same frequency ratio stated in the Latched FS[4:0] register will be used. When it is set, the frequency ratio stated in the SEL[4:0] register will be used.	0
Bit 5	–	CPU_FSEL_M5		0
Bit 4	–	CPU_FSEL_M4		0
Bit 3	–	CPU_FSEL_M3		0
Bit 2	–	CPU_FSEL_M2		0
Bit 1	–	CPU_FSEL_M1		0
Bit 0	–	CPU_FSEL_M0		0

Data Byte 15

Bit	Pin#	Name	Pin Description	Power-on Default
Bit 7	1	Latched FS4 input	Latched FS[4:0] inputs. These bits are Read-only.	X
Bit 6	7	Latched FS3 input		X
Bit 5	8	Latched FS2 input		X
Bit 4	11	Latched FS1 input		X
Bit 3	10	Latched FS0 input		X
Bit 2	–	Reserved	Reserved	0
Bit 1	–	Vendor Test Mode	Reserved. Write with “1”	1
Bit 0	–	Vendor Test Mode	Reserved. Write with “1”	1

Data Byte 16

Bit	Pin#	Name	Pin Description	Power-on Default
Bit 7	–	Reserved	Reserved	0
Bit 6	–	Reserved	Reserved	0
Bit 5	–	Reserved	Reserved	0
Bit 4	–	Reserved	Reserved	0
Bit 3	–	Reserved	Reserved	0
Bit 2	–	Reserved	Reserved	0
Bit 1	–	Reserved	Reserved	0
Bit 0	–	Reserved	Reserved	0

Data Byte 17

Bit	Pin#	Name	Pin Description	Power-on Default
Bit 7	–	Reserved	Reserved	0
Bit 6	–	Reserved	Reserved	0
Bit 5	–	Reserved	Reserved	0
Bit 4	–	Reserved	Reserved	0
Bit 3	–	Reserved	Reserved	0
Bit 2	–	Reserved	Reserved	0
Bit 1	–	Reserved	Reserved	0
Bit 0	–	Reserved	Reserved	0

Table 4. Frequency Selection Table

Input Conditions					Output Frequency				PLL Gear Constants (G)
FS4	FS3	FS2	FS1	FS0	CPU	AGP	PCI	APIC	
SEL4	SEL3	SEL2	SEL1	SEL0					
0	0	0	0	0	102.0	68.0	34.0	17.0	48.00741
0	0	0	0	1	105.0	70.0	35.0	17.5	48.00741
0	0	0	1	0	108.0	72.0	36.0	18.0	48.00741
0	0	0	1	1	111.0	74.0	37.0	18.5	48.00741
0	0	1	0	0	114.0	76.0	38.0	19.0	48.00741
0	0	1	0	1	117.0	78.0	39.0	19.5	48.00741
0	0	1	1	0	120.0	80.0	40.0	20.0	48.00741
0	0	1	1	1	123.0	82.0	41.0	20.5	48.00741
0	1	0	0	0	126.0	63.0	31.5	18.0	48.00741
0	1	0	0	1	130.0	65.0	32.5	18.5	48.00741
0	1	0	1	0	136.0	68.0	34.0	17.0	48.00741
0	1	0	1	1	140.0	70.0	35.0	17.5	48.00741
0	1	1	0	0	144.0	72.0	36.0	18.0	48.00741
0	1	1	0	1	148.0	74.0	37.0	18.5	48.00741
0	1	1	1	0	152.0	76.0	38.0	19.0	48.00741
0	1	1	1	1	156.0	78.0	39.0	19.5	48.00741
1	0	0	0	0	160.0	80.0	40.0	20.0	48.00741
1	0	0	0	1	164.0	82.0	41.0	20.5	48.00741
1	0	0	1	0	166.6	66.6	33.3	16.7	48.00741
1	0	0	1	1	170.0	68.0	34.0	17.0	48.00741
1	0	1	0	0	175.0	70.0	35.0	17.5	48.00741
1	0	1	0	1	180.0	72.0	36.0	18.0	48.00741
1	0	1	1	0	185.0	74.0	37.0	18.5	48.00741
1	0	1	1	1	190.0	76.0	38.0	19.0	48.00741
1	1	0	0	0	66.8	66.8	33.4	16.7	48.00741
1	1	0	0	1	100.2	66.8	33.4	16.7	48.00741
1	1	0	1	0	133.6	66.8	33.4	16.7	48.00741
1	1	0	1	1	200.4	66.8	33.4	16.7	48.00741
1	1	1	0	0	66.6	66.6	33.3	16.5	48.00741
1	1	1	0	1	100.0	66.6	33.3	16.5	48.00741
1	1	1	1	0	200.0	66.6	33.3	16.5	48.00741
1	1	1	1	1	133.3	66.6	33.3	16.5	48.00741

Programmable Output Frequency, Watchdog Timer and Recovery Output Frequency Functional Description

The Programmable Output Frequency feature allows users to generate any CPU output frequency from the range of 50 MHz to 248 MHz. Cypress offers the most dynamic and the simplest programming interface for system developers to utilize this feature in their platforms.

The Watchdog Timer and Recovery Output Frequency features allow users to implement a recovery mechanism when the system hangs or getting unstable. System BIOS or other control software can enable the Watchdog timer before they attempt to make a frequency change. If the system hangs and a Watchdog timer time-out occurs, a system reset will be generated and a recovery frequency will be activated. All the related registers are summarized in the following table.

Register Summary	
Name	Description
Pro_Freq_EN	<p>Programmable output frequencies enabled</p> <p>0 = Disabled (default).</p> <p>1 = Enabled.</p> <p>When it is disabled, the operating output frequency will be determined by either the latched value of FS[4:0] inputs or the programmed value of SEL[4:0]. If FS_Override bit is clear, latched FS[4:0] inputs will be used. If FS_Override bit is set, programmed value of SEL[4:0] will be used. When it is enabled, the CPU output frequency will be determined by the programmed value of CPUFSEL_N, CPUFSEL_M and the PLL Gear Constant. The program value of FS_Override, SEL[4:0] or the latched value of FS[4:0] will determine the PLL Gear Constant and the frequency ratio between CPU and other frequency outputs.</p>
FS_Override	<p>When Pro_Freq_EN is cleared or disabled</p> <p>0 = Select operating frequency by FS input pins (default).</p> <p>1 = Select operating frequency by SEL bits in SMBus control bytes.</p> <p>When Pro_Freq_EN is set or enabled</p> <p>0 = Frequency output ratio between CPU and other frequency groups and the PLL Gear Constant are based on the latched value of FS input pins (default).</p> <p>1 = Frequency output ratio between CPU and other frequency groups and the PLL Gear Constant are based on the programmed value of SEL bits in SMBus control bytes.</p>
CPU_FSEL_N, CPU_FSEL_M	<p>When Prog_Freq_EN is set or enabled, the values programmed in CPU_FSEL_N[7:0] and CPU_FSEL_M[6:0] determines the CPU output frequency. The new frequency will start to load whenever there is an update to either CPU_FSEL_N[7:0] or CPU_FSEL_M[6:0]. Therefore, it is recommended to use Word or Block Write to update both registers within the same SMBus bus operation. The setting of FS_Override bit determines the frequency ratio for CPU, AGP and PIC. When FS_Override is cleared or disabled, the frequency ratio follows the latched value of the FS input pins. When FS_Override is set or enabled, the frequency ratio follows the programmed value of SEL bits in SMBus control bytes.</p>
ROCV_FREQ_SEL	<p>ROCV_FREQ_SEL determines the source of the recover frequency when a Watchdog timer time-out occurs. The clock generator will automatically switch to the recovery CPU frequency based on the selection on ROCV_FREQ_SEL.</p> <p>0 = From latched FS[4:0]</p> <p>1 = From the settings of ROCV_FREQ_N[7:0] & ROCV_FREQ_M[6:0].</p>
ROCV_FREQ_N[7:0], ROCV_FREQ_M[6:0]	<p>When ROCV_FREQ_SEL is set, the values programmed in ROCV_FREQ_N[7:0] and ROCV_FREQ_M[6:0] will be used to determine the recovery CPU output frequency when a Watchdog Timer time-out occurs. The setting of FS_Override bit determines the frequency ratio for CPU, AGP and PIC. When it is cleared, the same frequency ratio stated in the Latched FS[4:0] register will be used. When it is set, the frequency ratio stated in the SEL[4:0] register will be used. The new frequency will start to load whenever there is an update to either ROCV_FREQ_N[7:0] and ROCV_FREQ_M[6:0]. Therefore, it is recommended to use Word or Block Write to update both registers within the same SMBus bus operation.</p>
WD_EN	<p>0 = Stop and reload Watchdog Timer.</p> <p>1 = Enable Watchdog Timer. It will start counting down after a frequency change occurs.</p>
WD_TO_STATUS	<p>Watchdog Timer Time-out Status bit</p> <p>0 = No time-out occurs (Read); Ignore (Write)</p> <p>1 = time-out occurred (Read); Clear WD_TO_STATUS (Write).</p>
WD_TIMER[4:0]	<p>These bits store the time-out value of the Watchdog Timer. The scale of the timer is determine by the prescaler. The timer can support a value of 150 ms to 4.8 sec when the pre-scaler is set to 150 ms. If the pre-scaler is set to 2.5 sec, it can support a value from 2.5 sec to 80 sec. When the Watchdog Timer reaches "0," it will set the WD_TO_STATUS bit.</p>
WD_PRE_SCALER	<p>0 = 150 ms</p> <p>1 = 2.5 sec</p>
RST_EN_WD	<p>This bit will enable the generation of a Reset pulse when a Watchdog timer time-out occurs.</p> <p>0 = Disabled</p> <p>1 = Enabled</p>
RST_EN_FC	<p>This bit will enable the generation of a Reset pulse after a frequency change occurs.</p> <p>0 = Disabled</p> <p>1 = Enabled</p>

Program the CPU output frequency

When the programmable output frequency feature is enabled (Pro_Freq_EN bit is set), the CPU output frequency is determined by the following equation:

$$F_{cpu} = G * (N+3)/(M+3).$$

“N” and “M” are the values programmed in Programmable Frequency Select N-Value Register and M-Value Register, respectively.

“G” stands for the PLL Gear Constant, which is determined by the programmed value of FS[4:0] or SEL[4:0]. The value is listed in *Table 4*.

The ratio of (N+3) and (M+3) need to be greater than “1” [(N+3)/(M+3) > 1].

The following table lists set of N and M values for different frequency output ranges. This example use a fixed value for the M-Value Register and select the CPU output frequency by changing the value of the N-Value Register.

Table 5. Examples of N and M Value for Different CPU Frequency Range

Frequency Ranges	Gear Constants	Fixed Value for M-Value Register	Range of N-Value Register for Different CPU Frequency
50 MHz–129 MHz	48.00741	93	97 - 255
130 MHz–248 MHz	48.00741	45	127 - 245

Maximum Ratings^[2]

(Above which the useful life may be impaired. For user guidelines, not tested.)

Supply Voltage -0.5 to +7.0V

Input Voltage -0.5V to $V_{DD}+0.5$

Storage Temperature (Non-Condensing).... -65°C to +150°C

Max. Soldering Temperature (10 sec) +260°C

Junction Temperature +150°C

Package Power Dissipation..... 1W

Static Discharge Voltage
(per MIL-STD-883, Method 3015) > 2000V

Operating Conditions Over which Electrical Parameters are Guaranteed

Parameter	Description	Min.	Max.	Unit
V_{DD_REF} , V_{DD_PCI} , V_{DD_AGP} , V_{DD_CPU} , V_{DD_48MHz}	3.3V Supply Voltages	3.135	3.465	V
$V_{DD_CPU_CS}$	CPU_CS Supply Voltage	2.375	3.625	V
T_A	Operating Temperature, Ambient	0	70	°C
C_{in}	Input Pin Capacitance		5	pF
C_{XTAL}	XTAL Pin Capacitance		22.5	pF
C_L	Max. Capacitive Load on 24_48MHz, 48 MHz, REF PCI, AGP		20 30	pF
$f_{(REF)}$	Reference Frequency, Oscillator Nominal Value	14.318	14.318	MHz

Electrical Characteristics Over the Operating Range

Parameter	Description	Test Conditions	Min.	Max.	Unit	
V_{IH}	High-level Input Voltage	Except Crystal Pads. Threshold voltage for crystal pads = $V_{DD}/2$	2.0		V	
V_{IL}	Low-level Input Voltage	Except Crystal Pads		0.8	V	
V_{OH}	High-level Output Voltage	24_48MHz, 48 MHz, REF, AGP	$I_{OH} = -1$ mA	2.4	V	
		PCI	$I_{OH} = -1$ mA	2.4	V	
V_{OL}	Low-level Output Voltage	24_48MHz, 48 MHz, REF, AGP	$I_{OL} = 1$ mA		0.4	
		PCI	$I_{OL} = 1$ mA		0.55	
I_{IH}	Input HIGH Current	$0 \leq V_{IN} \leq V_{DD}$	-5	5	mA	
I_{IL}	Input LOW Current	$0 \leq V_{IN} \leq V_{DD}$	-5	5	mA	
I_{OH}	High-level Output Current	CPU0:1, CPU0:1 For $I_{OH} = 6 \cdot I_{Ref}$ Configuration	Type X1, $V_{OH} = 0.65V$	12.9	mA	
			Type X1, $V_{OH} = 0.74V$	14.9		
		REF, 24_48MHz, 48 MHz	Type 3, $V_{OH} = 1.00V$	-29		
			Type 3, $V_{OH} = 3.135V$	-23		
		AGP, PCI	Type 5, $V_{OH} = 1.00V$	-33		
			Type 5, $V_{OH} = 3.135V$	-33		
I_{OL}	Low-level Output Current	REF, 24_48MHz, 48 MHz	Type 3, $V_{OL} = 1.95V$	29	mA	
			Type 3, $V_{OL} = 0.4V$	27		
		AGP, PCI	Type 5, $V_{OL} = 1.95V$	30		
			Type 5, $V_{OL} = 0.4V$	38		
I_{OZ}	Output Leakage Current	Three-state		10	mA	
I_{DD}	Power Supply Current	3.3 $V_{DD} = 3.465V$, 2.5V $V_{DD} = 2.625V$		360	mA	
I_{DDPD}	Shutdown Current	3.3 $V_{DD} = 3.465V$, 2.5V $V_{DD} = 2.625V$		20	mA	

Note:

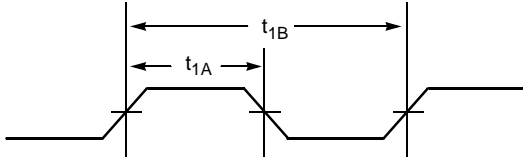
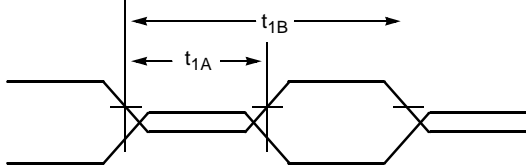
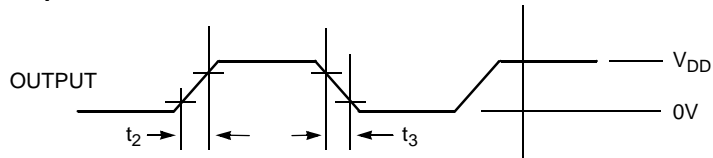
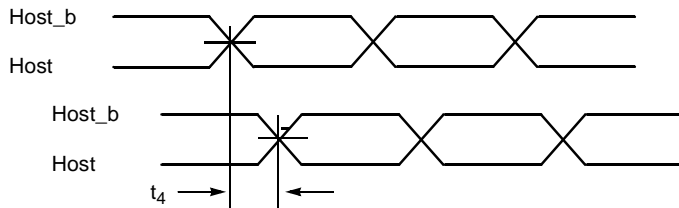
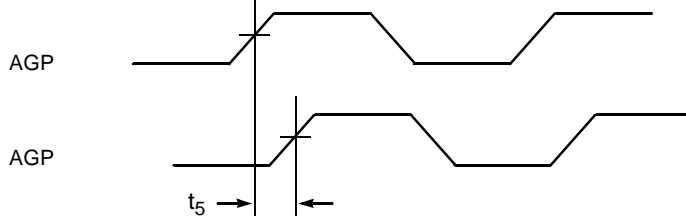
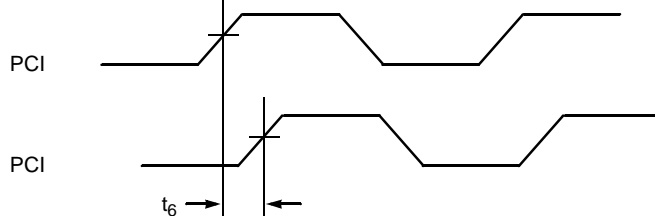
- The voltage on any input or I/O pin cannot exceed the power pin during power-up. Power supply sequencing is NOT required.

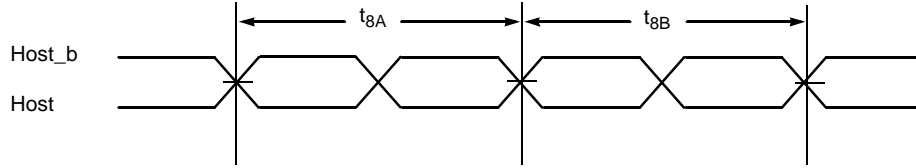
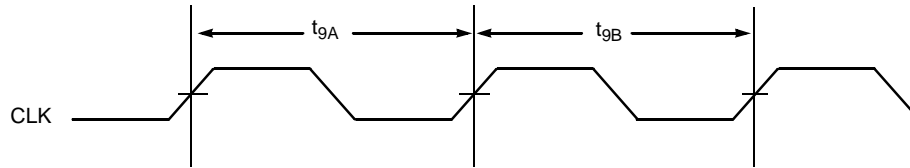
Switching Characteristics^[3] Over the Operating Range

Parameter	Output	Description	Test Conditions	Min.	Max.	Unit
t ₁	24_48 MHz, 48 MHz, REF, AGP, PCI	Output Duty Cycle ^[4]	Measured at 1.5V	45	55	%
t ₁	CPU_CS	Output Duty Cycle ^[4]	Measured at 1.5V	45	55	%
t ₂	24_48 MHz	Rising Edge Rate ^[6]	Between 0.4V and 2.4V	0.5	2.0	ps
t ₂	PCI, AGP	Rising Edge Rate ^[6]	Between 0.4V and 2.4V	0.5	2.0	ps
t ₃	24_48 MHz, 48 MHz	Falling Edge Rate	Between 2.4V and 0.4V	0.5	2.0	ps
t ₃	PCI, AGP	Falling Edge Rate ^[7]	Between 2.4V and 0.4V	1.0	4.0	V/ns
t ₅	AGP[0:2]	AGP-AGP Skew	Measured at 1.5V		300	ps
t ₆	PCI	PCI-PCI Skew	Measured at 1.5V		500	ps
t ₉	AGP	Cycle-Cycle Clock Jitter	Measured at 1.5V t ₉ = t _{9A} - t _{9B}		250	ps
t ₉	24_48 MHz, 48 MHz	Cycle-Cycle Clock Jitter	Measured at 1.5V t ₉ = t _{9A} - t _{9B}		350	ps
t ₉	PCI	Cycle-Cycle Clock Jitter	Measured at 1.5V t ₉ = t _{9A} - t _{9B}		500	ps
t ₉	REF	Cycle-Cycle Clock Jitter	Measured at 1.5V t ₉ = t _{9A} - t _{9B}		1000	ps
CPUT0:1, CPU0:1 0.7V Switching Characteristics						
t ₂	CPU	Rise Time	Measured single ended waveform from 0.14V to 0.56V	175	700	ps
t ₃	CPU	Fall Time	Measured single ended waveform from 0.14V to 0.56V	175	700	ps
t ₄	CPU	CPU-CPU Skew	Measured at Crossover		150	ps
t ₈	CPU	Cycle-Cycle Clock Jitter	Measured at Crossover t ₈ = t _{8A} - t _{8B} With all outputs running		150	ps
	CPU	Rise/Fall Matching	Measured with test loads ^[5, 6]		20	%
V _{oh}	CPU	High-level Output Voltage including overshoot	Measured with test loads ^[6]		0.85	V
V _{ol}	CPU	Low-level Output Voltage including undershoot	Measured with test loads ^[6]	-0.15		V
V _{crossover}	CPU	Crossover Voltage	Measured with test loads ^[6]	0.28	0.43	V

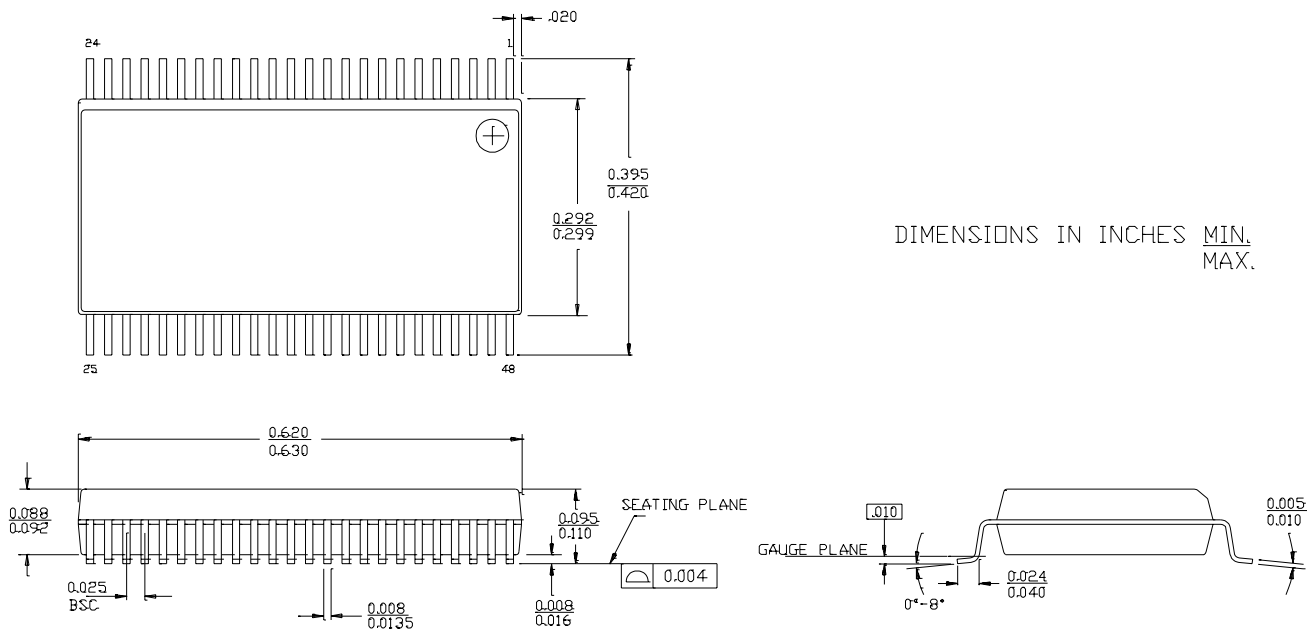
Notes:

3. All parameters specified with loaded outputs.
4. Duty cycle is measured at 1.5V when V_{DD} = 3.3V. When V_{DD} = 2.5V, duty cycle is measured at 1.25V.
5. Determined as a fraction of 2*(Trp - Trn)/(Trp + Trn) where Trp is a rising edge and Trn is an intersecting falling edge.
6. The 0.7V test load is R_s = 33.2 ohm, R_p = 49.9 ohm in test circuit.
7. Characterize with control register, data byte 9, bits 5 and 6 = 1.

Switching Waveforms
Duty Cycle Timing (Single-ended Output)

Duty Cycle Timing (CPU Differential Output)

All Outputs Rise/Fall Time

CPU-CPU Clock Skew

AGP-AGP Clock Skew

PCI-PCI Clock Skew


Switching Waveforms (continued)
CPU Clock Cycle-Cycle Jitter

Cycle-Cycle Clock Jitter

Ordering Information

Ordering Code	Package Name	Package Type	Operating Range
CY28325-2	PVC	48-pin Shrunk Small Outline Package (SSOP)	Commercial

Package Diagram
48-lead Shrunk Small Outline Package O48


51-85061-°C

Pentium 4 is a registered trademark of Intel Corporation. VIA is a trademark of VIA Technologies, Inc. All product and company names mentioned in this document may be the trademarks of their respective holders.

Document Title: CY28325-2 FTG for Via Pentium 4® Chipsets				
Document Number: 38-07119				
REV.	ECN NO.	Issue Date	Orig. of Change	Description of Change
**	111733	03/06/02	IKA	New Data Sheet Added notes to page 18
*A	122790	12/27/02	RBI	Add power up requirements to maximum ratings information