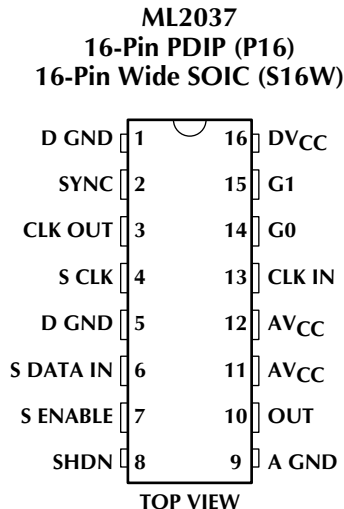


PIN CONFIGURATION



PIN DESCRIPTION

PIN	NAME	FUNCTION	PIN	NAME	FUNCTION
1, 5	D GND	Ground connection for the digital sections of the IC.	9	A GND	Ground reference for analog sections of the IC and reference for OUT.
2	SYNC	Synchronization input. Holding this pin low stops the sine wave output, and resets the phase to zero.	10	OUT	Sine wave output. The amplitude of the sine wave will vary around a 2.5V DC level.
3	CLK OUT	Output of the internal high frequency clock generator. $f_{CLK\ OUT} = \frac{1}{2}f_{CLK\ IN}$.	11,12	AV _{CC}	Power supply for the analog sections of the IC.
4	S CLK	Serial data clock input. Serial data is clocked into the shift register on falling edges of S CLK.	13	CLK IN	Input of the internal high frequency clock generator. This pin is either driven from an external clock input or connected to a crystal for use with the internal oscillator.
6	S DATA IN	Serial data input for programming the output frequency.	14	G0	Output gain control. Works with G1 to set the output amplitude to one of four different full scale ranges.
7	S ENABLE	Serial interface enable control. A logic high on this pin allows data to be entered into the latch.	15	G1	Output gain control. Works with G0 to set the output amplitude to one of four different full scale ranges.
8	SHDN	A logic high on this pin causes the output of the generator to shut off and places the IC in a low power standby mode.	16	DV _{CC}	Power supply for the digital sections of the IC.

ABSOLUTE MAXIMUM RATINGS

Absolute maximum ratings are those values beyond which the device could be permanently damaged. Absolute maximum ratings are stress ratings only and functional device operation is not implied.

AV_{CC} , DV_{CC} 7V
 Voltage on any other pin AGND - 0.3V to AV_{CC} + 0.3V
 Input Current ± 25 mA
 Junction Temperature 150°C
 Storage Temperature Range -65°C to 150°C

Lead Temperature (Soldering, 10 sec) 260°C
 Thermal Resistance (θ_{JA})
 Plastic DIP 80°C/W
 SOIC 105°C/W

OPERATING CONDITIONS

Temperature Range
 ML2037CX 0°C to 70°C
 ML2037IX -40°C to 85°C
 AV_{CC} , DV_{CC} Range 4.75V to 5.25V

ELECTRICAL CHARACTERISTICS

Unless otherwise specified, $AV_{CC} = DV_{CC} = 4.75$ V to 5.25V, SHDN = 0V, CLK IN = 25.6MHz (crystal) or 32MHz (external clock), $C_L = 50$ pF, $R_L = 1$ k Ω , T_A = Operating Temperature Range (Note 1)

SYMBOL	PARAMETER	CONDITIONS	MIN	TYP	MAX	UNITS
OUTPUT						
HD	Harmonic Distortion (2nd and 3rd Harmonic)	20Hz to 31.25kHz			-45	dB
		31.25kHz to 500kHz			-40	dB
SND	Signal to Noise + Distortion	1kHz to 31.25kHz, f_{OUT} BW < 31.25kHz			-45	dB
		31.35kHz to 500kHz, f_{OUT} BW < 500kHz			-40	dB
	Gain Error	$f_{OUT} < 125$ kHz, $AV_{CC} = 5$ V, $G1 = 1$, $G0 = 1$	C Suffix		± 0.15	dB
		$f_{OUT} < 125$ kHz, $AV_{CC} = 5$ V, $G1 = 1$, $G0 = 1$	I Suffix		± 0.25	dB
		125 kHz < $f_{OUT} < 500$ kHz, $AV_{CC} = 5$ V, $G1 = 1$, $G0 = 1$	Both		± 0.5	dB
	Idle Noise	SHDN = 5V		500		μ V _{rms}
PSRR	Power Supply Rejection Ratio	200mV _{p-p} , $f_{OUT} = 0 - 100$ kHz		-40		dB
	DC Output Voltage		2.4		2.6	V
	Peak-to-Peak Output Voltage	$G1 = 0$, $G0 = 0$		0.5		V_{P-P}
		$G1 = 0$, $G0 = 1$		1.0		V_{P-P}
		$G1 = 1$, $G0 = 0$		1.5		V_{P-P}
		$G1 = 1$, $G0 = 1$	1.88	2.0	2.12	V_{P-P}

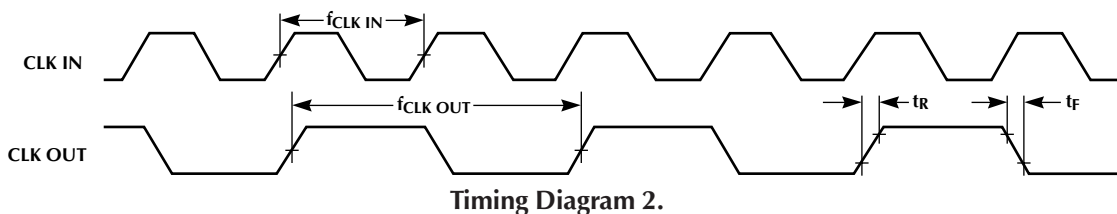
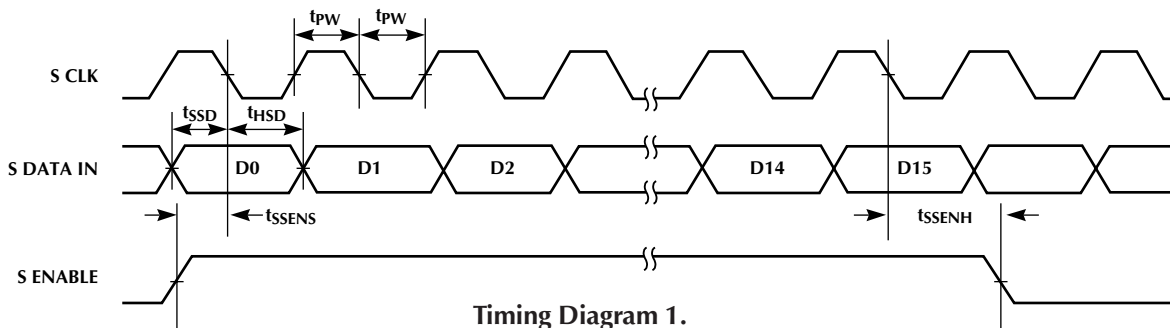
OSCILLATOR

	CLK IN Input Low Voltage				1.5	V
	CLK IN Input High Voltage		3.5			V
	CLK IN Input Low Current	External Clock	-250			μ A
	CLK IN Input High Current	External Clock			250	μ A
	CLK IN Input Capacitance			12		pF
	CLK IN Maximum Frequency	External Clock	32			MHz
	CLK OUT to CLK IN Frequency Ratio		0.49	0.5	0.51	

ELECTRICAL CHARACTERISTICS (Continued)

SYMBOL	PARAMETER	CONDITIONS	MIN	TYP	MAX	UNITS
OSCILLATOR (Continued)						
t_R	CLK OUT Rise Time	$C_L = 25\text{pF}$, See Timing Diagram 2			8	ns
t_F	CLK OUT Fall Time	$C_L = 25\text{pF}$, See Timing Diagram 2			8	ns
LOGIC						
V_{IL}	Input Low Voltage				1.0	V
V_{IH}	Input High Voltage		$DV_{CC} - 1$			V
I_{IL}	Input Low Current		-1			μA
I_{IH}	Input High Current				1	μA
V_{OL}	Output Low Voltage	$I_{OL} = -2\text{mA}$			0.4	V
V_{OH}	Output High Voltage	$I_{OH} = 2\text{mA}$	4.0			V
f_S CLK	Serial Clock Frequency		0.01		10	MHz
t_{PW}	Serial CLock Pulse Width		40			ns
t_{SSD}	S DATA IN Setup Time		10			ns
t_{HSD}	S DATA IN Hold Time		10			ns
t_{SSENS}	S ENABLE Setup Time		30			ns
t_{SSENH}	S ENABLE Hold Time		50			ns
t_{DSEN}	Delay from S ENABLE to Stable Output	$f_{CLK IN} = 32\text{MHz}$		500		ns
t_{DSYNC}	Delay from SYNC to Output Start	$f_{CLK IN} = 32\text{MHz}$		500		ns
SUPPLY						
$A_{I_{CC}}$	AV_{CC} Current	$f_{CLK IN} = 16\text{MHz}$		35	45	mA
		$f_{CLK IN} = 32\text{MHz}$		40	50	mA
		SHDN = 5V			10	μA
$D_{I_{CC}}$	DV_{CC} Current	$f_{CLK IN} = 16\text{MHz}$		10	14	mA
		$f_{CLK IN} = 32\text{MHz}$		16	20	mA
		SHDN = 5V			30	μA

Note 1: Limits are guaranteed by 100% testing, sampling, or correlation with worst case test conditions.



FUNCTIONAL DESCRIPTION

The ML2037 is composed of a programmable frequency generator, a sine wave generator, a crystal oscillator, and a digital interface. The functional block diagram is shown in Figure 1.

PROGRAMMABLE FREQUENCY GENERATOR

The programmable frequency generator produces a digital output whose frequency is determined by a 16-bit digital word.

The frequency generator is composed of a phase accumulator which is clocked at $\frac{1}{2}f_{\text{CLK IN}}$. The value stored in the data latch is added to the phase accumulator every two cycles of CLK IN. The frequency of the analog output is equal to the rate at which the accumulator overflows and is given by the following equation:

$$f_{\text{OUT}} = \frac{f_{\text{CLK IN}} \times (\text{D15} \rightarrow \text{D0})_{\text{DEC}}}{2^{22}} \quad (1)$$

Where (D15–D0) is the decimal value of the programming word.

The frequency resolution and the minimum frequency are the same and can be calculated using:

$$\Delta f_{\text{MIN}} = \frac{f_{\text{CLK IN}}}{2^{22}} \quad (2)$$

When $f_{\text{CLK IN}} = 25\text{MHz}$, $\Delta f_{\text{MIN}} = 5.96\text{Hz}$ ($\pm 2.98\text{Hz}$). Lower output frequencies are obtained by using a lower clock frequency.

The maximum frequency output can be easily calculated with the following equation:

$$f_{\text{OUT(MAX)}} = \frac{f_{\text{CLK IN}}}{2^6} \quad (3)$$

When $f_{\text{CLK IN}} = 25\text{MHz}$, $f_{\text{OUT(MAX)}} = 391\text{kHz}$. Higher frequencies, up to 500kHz, are obtained by using an external clock, where $25\text{MHz} < f_{\text{CLK IN}} < 32\text{MHz}$.

Due to the phase quantization nature of the frequency generator, spurious tones can be present in the output in the range of -50dB relative to fundamental. The energy from these tones is included in the signal to noise + distortion specification (SND) given in the electrical table. The frequency of these tones can be very close to the fundamental, and it is not practical to filter them out.

SINEWAVE GENERATOR

The sinewave generator is composed of a sine lookup table, an 8-bit DAC, an output smoothing filter, and an amplifier. The sine lookup table is addressed by the phase accumulator. The DAC is driven by the output of the table and generates a staircase representation of a sine wave.

The output filter smooths the analog output by removing the high frequency sampling components. The resultant voltage on V_{OUT} is a sinusoid with the second and third harmonic distortion components at least 40dB below the fundamental.

The ML2037 has a 2-bit (G1, G0) digital gain control. With the gain input equal to logic 00, the sine wave amplitude is equal to $0.5V_{\text{P-P}}$. Incrementing the gain control input increases the output amplitude in 0.5V steps to a maximum of $2.0V_{\text{P-P}}$. The output amplitude is accurate to within $\pm 0.5\text{dB}$ over the frequency range.

G1	G0	P-P OUTPUT AMPLITUDE
0	0	.5V
0	1	1.0V
1	0	1.5V
1	1	2.0V

The analog section is designed to operate over a frequency range of DC to 500kHz and is capable of driving $1\text{k}\Omega$, 50pF loads at the maximum amplitude of $2.0V_{\text{P-P}}$. The sine wave output is typically centered about a 2.5V DC level, so for a $2V_{\text{P-P}}$ sine wave, the output will swing from 1.5V to 3.5V .

CRYSTAL OSCILLATOR

The crystal oscillator generates an accurate reference clock for the programmable frequency generator. The internal clock can be generated with a crystal or external clock.

If a crystal is used, it must be placed between CLK IN and DGND. An on-chip oscillator will then generate the internal clock. No other external components are required. The crystal should be a parallel resonant type with a frequency between 5MHz to 25.6MHz. It should be placed physically as close as possible to CLK IN and DGND, to minimize trace lengths.

The crystal must have the following characteristics:

- Parallel resonant type
- Frequency: 5MHz to 25.6MHz
- Maximum ESR: 120Ω @ 5 to 10MHz, 80Ω @ 10 to 15MHz, and 50Ω @ 15 to 25.6MHz
- Drive level: $500\mu\text{W}$
- Typical load capacitance: 18 - 20pF
- Maximum case capacitance: 7pF

The frequency of oscillation will be a function of the crystal parameters and board capacitance. In general,

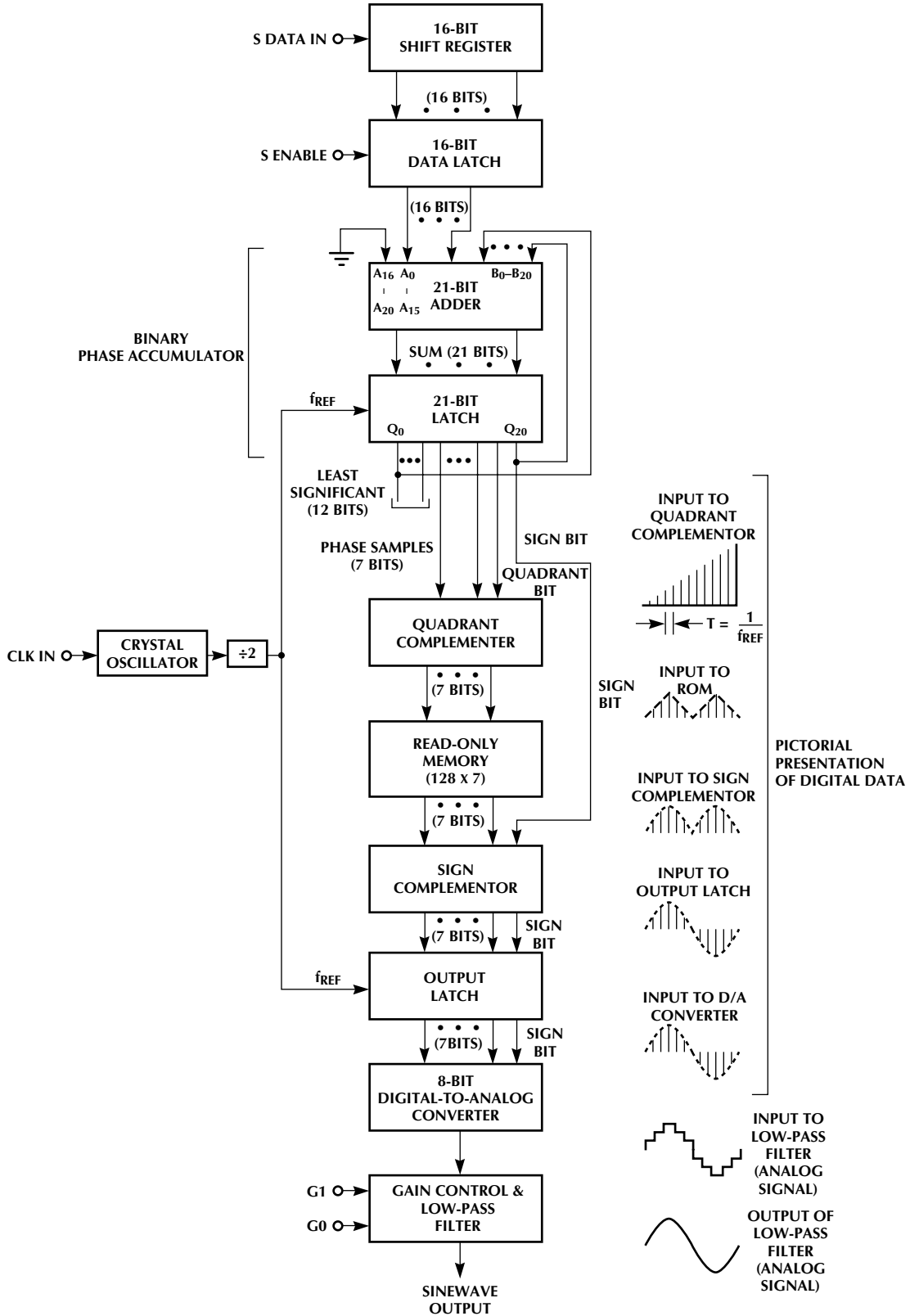


Figure 1. Detailed Block Diagram of the ML2037.

FUNCTIONAL DESCRIPTION (Continued)

microprocessor crystals meet the above requirements, but it is recommended to test the selected crystal in circuit to insure proper operation. Suitable crystals can be purchased from the following suppliers:

ECS, Inc.
FOX Electronics
M-TRON Industries

An external clock can drive CLK IN directly if desired. The frequency of this clock can be anything from 0 to 32MHz. However, at clock frequencies below 5MHz, the sine wave output begins to exhibit "staircasing".

The ML2037 has a clock output that can be used to drive other external devices. The CLK OUT output is a buffered output from the oscillator which runs at one half the frequency of CLK IN.

SERIAL DIGITAL INTERFACE

The digital interface consists of a shift register and data latch. The serial 16-bit data word on S DATA IN is clocked into a 16-bit shift register on falling edges of the serial shift clock, S CLK. The LSB should be shifted in first and the MSB last as shown in Timing Diagram 1. The data that has been shifted into the shift register is loaded into a 16-bit data latch on the falling edge of S ENABLE. To insure that true data is loaded into the data latch from the shift register, the S ENABLE falling edge should occur before the S CLK transitions high to low. S ENABLE should be high while shifting data into the shift register. Note that all data is entered and latched on edges, not levels, of S CLK and S ENABLE.

Upon power up, the data in the latch is indeterminate. It is therefore recommended to initialize the frequency data as part of a power up routine.

SYNCHRONIZATION

When the SYNC pin is held high, the sine wave generator operates normally. Pulling this pin low causes the sine wave output to be interrupted and resets the phase back to zero. The sine wave output goes to the 2.5V DC level approximately 1 μ s after the SYNC input goes low. Switching the SYNC pin back to a high level starts the sine wave going again from zero phase. The delay from when the SYNC goes high to the start of the sine wave is about 500ns, as shown in Figure 2. If several generator chips are driven from the same clock, the SYNC input allows them to be phase synchronized to any value. Figure 3 gives an example of how a microcontroller can be used with two ML2037s to generate two sine waves that are 90° out of phase.

SHUTDOWN

The SHDN input provides a means to power down the analog section and the internal clock of the sine wave generator. When in the power down mode the part will draw only 10 μ A of input current and the output will go to zero approximately 500ns after the SHDN pin goes high. Switching the SHDN back to a low level allows the sine wave to resume at the last programmed frequency. The delay from when the SHDN goes low to when the sine wave resumes is about 200 μ s. The use of the power down mode allows power management for portable applications or for gating the internal oscillator for low noise applications.

POWER SUPPLIES

The analog circuitry in the device is powered from 5V (AV_{CC}) and is referenced to AGND. The digital circuits in the device can also be powered from the same 5V supply (DV_{CC} to DGND). It is recommended that AGND and DGND be connected together close to the device and have a good connection back to the power source.

It is recommended that the power supplies to the device should be bypassed by placing decoupling capacitors from AV_{CC} to AGND and DV_{CC} to DGND as physically close to the device as possible.

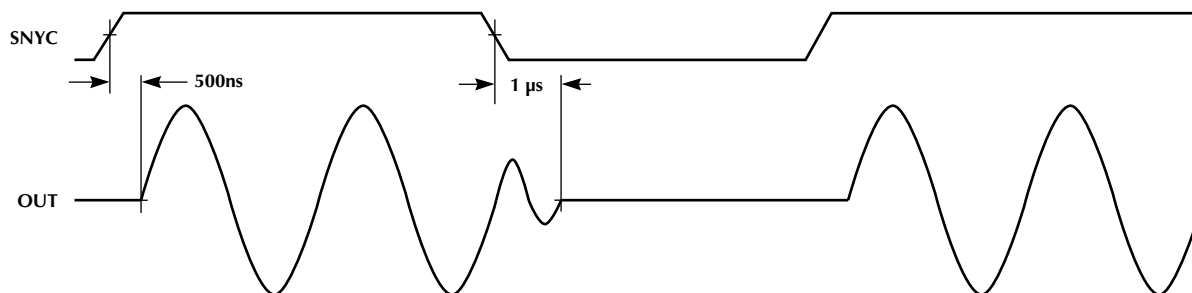


Figure 2. SYNC Pin Timing.

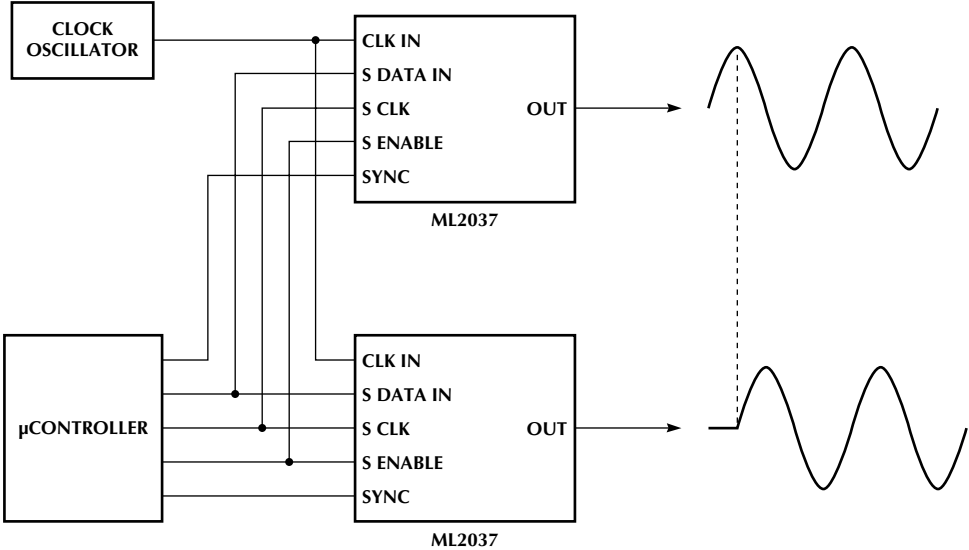
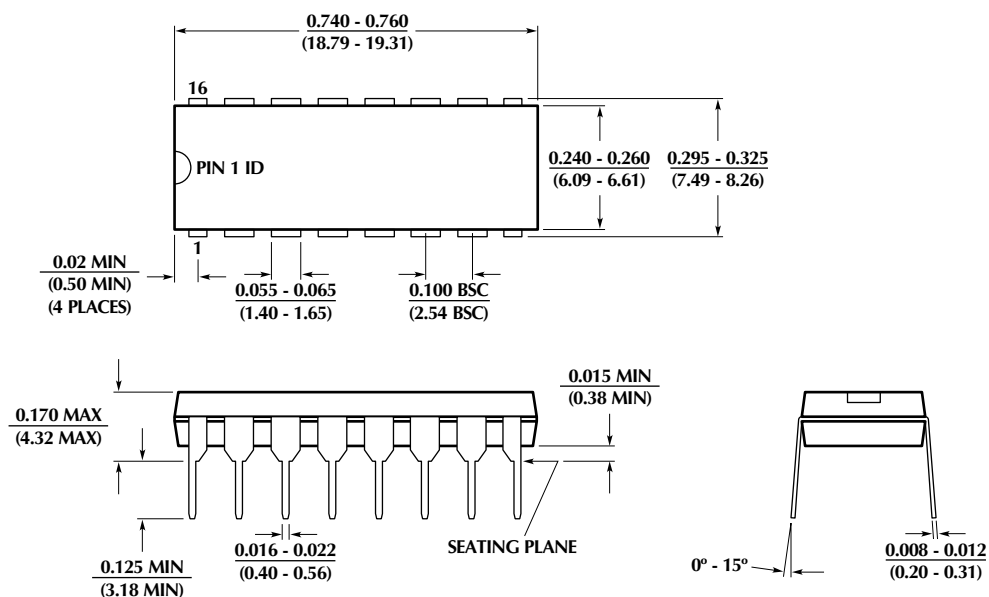


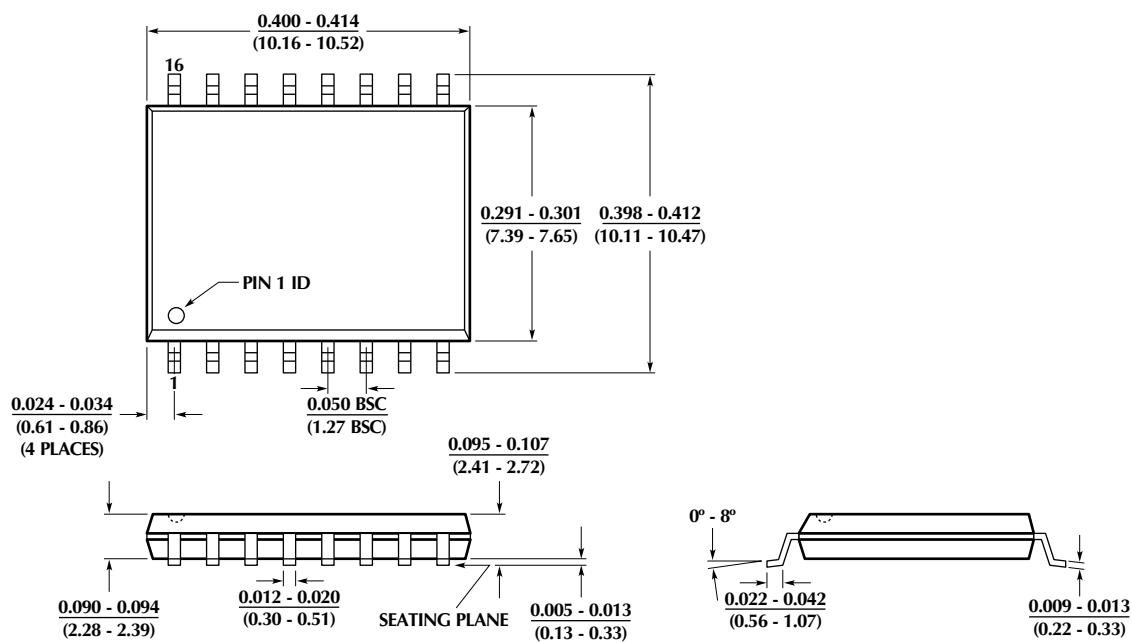
Figure 3. Synchronizing Two ML2037 Sine Wave Generators.

PHYSICAL DIMENSIONS inches (millimeters)

Package: P16
16-Pin PDIP




Package: S16W
16-Pin Wide SOIC



ORDERING INFORMATION

PART NUMBER	TEMPERATURE RANGE	PACKAGE
ML2037CP (OBS)	0°C to 70°C	16-Pin PDIP (P16)
ML2037CS (OBS)	0°C to 70°C	16-Pin Wide SOIC (S16W)
ML2037IP (OBS)	-40°C to 85°C	16-Pin PDIP (P16)
ML2037IS (EOL)	-40°C to 85°C	16-Pin Wide SOIC (S16W)

© Micro Linear 1998.  **Micro Linear** is a registered trademark of Micro Linear Corporation. All other trademarks are the property of their respective owners.

Products described herein may be covered by one or more of the following U.S. patents: 4,897,611; 4,964,026; 5,027,116; 5,281,862; 5,283,483; 5,418,502; 5,508,570; 5,510,727; 5,523,940; 5,546,017; 5,559,470; 5,565,761; 5,592,128; 5,594,376; 5,652,479; 5,661,427; 5,663,874; 5,672,959; 5,689,167; 5,714,897; 5,717,798; 5,742,151; 5,747,977; 5,754,012; 5,757,174; 5,767,653; 5,777,514. Japan: 2,598,946; 2,619,299; 2,704,176. Other patents are pending.

Micro Linear reserves the right to make changes to any product herein to improve reliability, function or design. Micro Linear does not assume any liability arising out of the application or use of any product described herein, neither does it convey any license under its patent right nor the rights of others. The circuits contained in this data sheet are offered as possible applications only. Micro Linear makes no warranties or representations as to whether the illustrated circuits infringe any intellectual property rights of others, and will accept no responsibility or liability for use of any application herein. The customer is urged to consult with appropriate legal counsel before deciding on a particular application.

2092 Concourse Drive
 San Jose, CA 95131
 Tel: (408) 433-5200
 Fax: (408) 432-0295
www.microlinear.com