

# CLC5623 Triple, High Output, Video Amplifier

## General Description

The CLC5623 has a new output stage that delivers high output drive current (130mA), but consumes minimal quiescent supply current (3.0mA/ch) from a single 5V supply. Its current feedback architecture, fabricated in an advanced complementary bipolar process, maintains consistent performance over a wide range of gains and signal levels, and has a linear-phase response up to one half of the -3dB frequency.

The CLC5623 offers 0.1dB gain flatness to 15MHz and differential gain and phase errors of 0.06% and 0.06°. These features are ideal for professional and consumer video applications.

The CLC5623 offers superior dynamic performance with a 148MHz small-signal bandwidth, 370V/ $\mu$ s slew rate and 4.4ns rise/fall times ( $2V_{step}$ ). The combination of low quiescent power, high output current drive, and high-speed performance make the CLC5623 well suited for many battery-powered personal communication/computing systems.

The ability to drive low-impedance, highly capacitive loads, with minimum distortion, makes the CLC5623 ideal for cable applications. The CLC5623 will drive a 100 $\Omega$  load with only -78/-94dBc second/third harmonic distortion ( $A_v = +2$ ,  $V_{out} = 2V_{pp}$ ,  $f = 1\text{MHz}$ ). With a 25 $\Omega$  load, and the same conditions, it produces only -82/-96dBc second/third harmonic distortion.

The CLC5623 can also be used for driving differential-input step-up transformers for applications such as Asynchronous Digital Subscriber Lines (ADSL) or High-Bit-Rate Digital Subscriber Lines (HDSL).

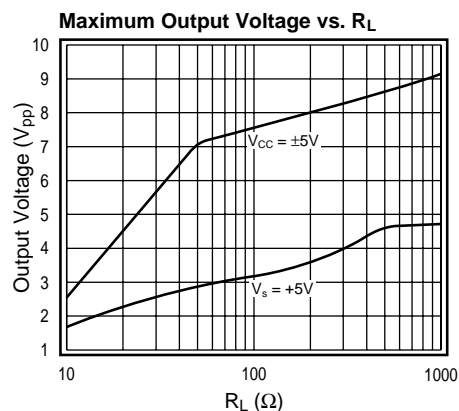
When driving the input of high-resolution A/D converters, the CLC5623 provides excellent -86/-96dBc second/third harmonic distortion ( $A_v = +2$ ,  $V_{out} = 2V_{pp}$ ,  $f = 1\text{MHz}$ ,  $R_L = 1\text{k}\Omega$ ) and fast settling time.

## Features

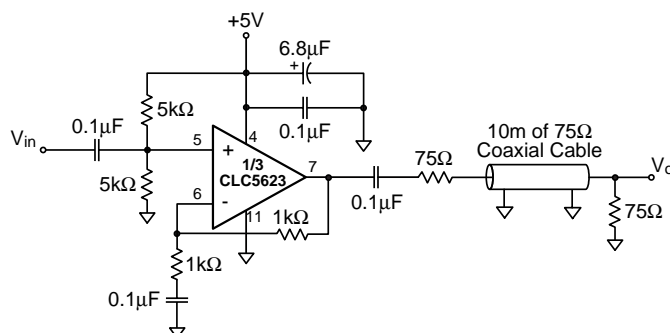
- 130mA output current
- 0.06%, 0.06° differential gain, phase
- 3.0mA/ch supply current
- 148MHz bandwidth ( $A_v = +2$ )
- -86/-96dBc HD2/HD3 (1MHz)
- 18ns settling to 0.05%
- 370V/ $\mu$ s slew rate
- Stable for capacitive loads up to 1000pf
- Single 5V or  $\pm 5\text{V}$  supplies

## Applications

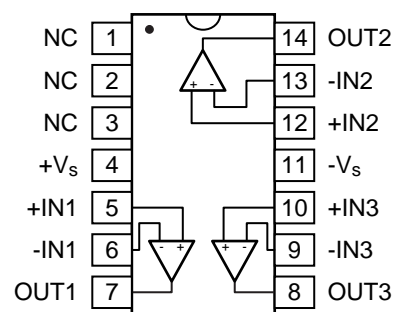
- Video line driver
- ADSL/HDSL driver
- Coaxial cable driver
- UTP differential line driver
- Transformer/coil driver
- High capacitive load driver
- Portable/battery-powered applications
- Differential A/D driver



## Typical Application Single Supply Cable Driver



## Pinout DIP & SOIC



## +5V Characteristics ( $A_v = +2$ , $R_f = 750\Omega$ , $R_f = 1k\Omega$ (PDIP), $R_f = 750\Omega$ (SOIC), $V_s = +5V^1$ , $V_{cm} = V_{EE} + (V_s/2)$ , $R_L$ tied to $V_{cm}$ , unless specified)

PARAMETERS	CONDITIONS	TYP	MIN/MAX RATINGS			UNITS	NOTES
Ambient Temperature	CLC5623IN	+25°C	+25°C	0 to 70°C	-40 to 85°C		
<b>FREQUENCY DOMAIN RESPONSE</b>							
-3dB bandwidth	$V_o = 1.5V_{pp}$	107	85	75	75	MHz	
-0.1dB bandwidth	$V_o = 0.5V_{pp}$	14	13	10	10	MHz	
gain peaking	<200MHz, $V_o = 0.5V_{pp}$	0	0.5	0.9	0.9	dB	
gain rolloff	<30MHz, $V_o = 0.5V_{pp}$	0.3	0.7	0.8	0.8	dB	
linear phase deviation	<30MHz, $V_o = 0.5V_{pp}$	1.0	2.0	2.4	2.4	deg	
differential gain	NTSC, $R_L = 150\Omega$ to -1V	0.03	–	–	–	%	
differential phase	NTSC, $R_L = 150\Omega$ to -1V	0.08	–	–	–	deg	
<b>TIME DOMAIN RESPONSE</b>							
rise and fall time	2V step	4.5	6.0	6.4	6.8	ns	
settling time to 0.05%	1V step	17	25	40	60	ns	
overshoot	2V step	11	15	18	18	%	
slew rate	2V step	280	195	165	150	V/ $\mu$ s	
<b>DISTORTION AND NOISE RESPONSE</b>							
2 <sup>nd</sup> harmonic distortion	2V <sub>pp</sub> , 1MHz	-76	–	–	–	dBc	
	2V <sub>pp</sub> , 1MHz; $R_L = 1k\Omega$	-85	–	–	–	dBc	
3 <sup>rd</sup> harmonic distortion	2V <sub>pp</sub> , 5MHz	-63	-58	-56	-56	dBc	
	2V <sub>pp</sub> , 1MHz	-88	–	–	–	dBc	
equivalent input noise	2V <sub>pp</sub> , 1MHz; $R_L = 1k\Omega$	-96	–	–	–	dBc	
	2V <sub>pp</sub> , 5MHz	-65	-62	-60	-60	dBc	
voltage ( $e_{ni}$ )	>1MHz	4.9	5.9	6.4	6.4	nV/ $\sqrt{Hz}$	
non-inverting current ( $i_{bn}$ )	>1MHz	6.6	8.5	9.3	9.3	pA/ $\sqrt{Hz}$	
inverting current ( $i_{bi}$ )	>1MHz	11.1	14.7	15.8	15.8	pA/ $\sqrt{Hz}$	
crosstalk (input referred)	10MHz, 1V <sub>pp</sub>	-51	–	–	–	dB	
crosstalk, all hostile (input referred)	10MHz, 1V <sub>pp</sub>	-49	–	–	–	dB	
<b>STATIC DC PERFORMANCE</b>							
input offset voltage		1	4	6	6	mV	A
average drift		8	–	–	–	$\mu$ V/°C	
input bias current (non-inverting)		6	18	22	24	$\mu$ A	A
average drift		40	–	–	–	nA/°C	
input bias current (inverting)		6	14	16	17	$\mu$ A	A
average drift		25	–	–	–	nA/°C	
power supply rejection ratio	DC	48	45	43	43	dB	
common-mode rejection ratio	DC	45	43	41	41	dB	
supply current per channel	$R_L = \infty$	3.0	3.4	3.6	3.6	mA	A
<b>MISCELLANEOUS PERFORMANCE</b>							
input resistance (non-inverting)		0.86	0.50	0.45	0.45	M $\Omega$	
input capacitance (non-inverting)		1.8	2.75	2.75	2.75	pF	
input voltage range, High		4.2	4.1	4.1	4.0	V	
input voltage range, Low		0.8	0.9	0.9	1.0	V	
output voltage range, High	$R_L = 100\Omega$	4.0	3.9	3.9	3.8	V	
output voltage range, Low	$R_L = 100\Omega$	1.0	1.1	1.1	1.2	V	
output voltage range, High	$R_L = \infty$	4.1	4.0	4.0	3.9	V	
output voltage range, Low	$R_L = \infty$	0.9	1.0	1.0	1.1	V	
output current		100	80	65	40	mA	B
output resistance, closed loop	DC	70	105	105	140	m $\Omega$	

Min/max ratings are based on product characterization and simulation. Individual parameters are tested as noted. Outgoing quality levels are determined from tested parameters.

### Notes

- A) J-level: spec is 100% tested at +25°C.  
 B) The short circuit current can exceed the maximum safe output current.  
 1)  $V_s = V_{CC} - V_{EE}$

### Absolute Maximum Ratings

supply voltage ( $V_{CC} - V_{EE}$ )	+14V
output current (see note C)	140mA
common-mode input voltage	$V_{EE}$ to $V_{CC}$
maximum junction temperature	+150°C
storage temperature range	-65°C to +150°C
lead temperature (soldering 10 sec)	+300°C

### Reliability Information

Transistor Count

147

## ±5V Characteristics (A<sub>v</sub> = +2, R<sub>f</sub> = 1kΩ (PDIP), R<sub>f</sub> = 750Ω (SOIC), R<sub>L</sub> = 100Ω, V<sub>CC</sub> = ±5V, unless specified)

PARAMETERS	CONDITIONS	TYP	GUARANTEED MIN/MAX			UNITS	NOTES
			+25°C	+25°C	0 to 70°C		
Ambient Temperature	CLC5623IN	+25°C	+25°C	0 to 70°C	-40 to 85°C		
<b>FREQUENCY DOMAIN RESPONSE</b>							
-3dB bandwidth	V <sub>o</sub> = 1.5V <sub>pp</sub>	148	110	105	85	MHz	
	V <sub>o</sub> = 4.0V <sub>pp</sub>	72	55	52	52	MHz	
-0.1dB bandwidth	V <sub>o</sub> = 1.0V <sub>pp</sub>	15	12	9	9	MHz	
gain peaking	<200MHz, V <sub>o</sub> = 1.0V <sub>pp</sub>	0	0.5	0.9	1.3	dB	
gain rolloff	<30MHz, V <sub>o</sub> = 1.0V <sub>pp</sub>	0.1	0.3	0.5	0.5	dB	
linear phase deviation	<30MHz, V <sub>o</sub> = 1.0V <sub>pp</sub>	0.08	1.6	2.0	2.0	deg	
differential gain	NTSC, R <sub>L</sub> =150Ω	0.06	0.12	–	–	%	
differential phase	NTSC, R <sub>L</sub> =150Ω	0.06	0.1	–	–	deg	
<b>TIME DOMAIN RESPONSE</b>							
rise and fall time	2V step	4.4	5.8	6.2	6.8	ns	
settling time to 0.05%	2V step	18	25	40	60	ns	
overshoot	2V step	19	21	23	24	%	
slew rate	2V step	370	280	260	240	V/μs	
<b>DISTORTION AND NOISE RESPONSE</b>							
2 <sup>nd</sup> harmonic distortion	2V <sub>pp</sub> , 1MHz	-78	–	–	–	dBc	
	2V <sub>pp</sub> , 1MHz; R <sub>L</sub> = 1kΩ	-86	–	–	–	dBc	
	2V <sub>pp</sub> , 5MHz	-65	-60	-58	-58	dBc	
3 <sup>rd</sup> harmonic distortion	2V <sub>pp</sub> , 1MHz	-94	–	–	–	dBc	
	2V <sub>pp</sub> , 1MHz; R <sub>L</sub> = 1kΩ	-96	–	–	–	dBc	
	2V <sub>pp</sub> , 5MHz	-73	-60	-58	-58	dBc	
equivalent input noise							
voltage (e <sub>ni</sub> )	>1MHz	4.9	5.9	6.4	6.4	nV/√Hz	
non-inverting current (i <sub>bn</sub> )	>1MHz	6.6	8.5	9.3	9.3	pA/√Hz	
inverting current (i <sub>bi</sub> )	>1MHz	11.1	14.7	15.8	15.8	pA/√Hz	
crosstalk (input referred)	10MHz, 1V <sub>pp</sub>	-51	–	–	–	dB	
crosstalk, all hostile (input referred)	10MHz, 1V <sub>pp</sub>	-49	–	–	–	dB	
<b>STATIC DC PERFORMANCE</b>							
input offset voltage		1	6	7	8	mV	
average drift		10	–	–	–	μV/°C	
input bias current (non-inverting)		8	18	23	25	μA	
average drift		40	–	–	–	nA/°C	
input bias current (inverting)		9	24	28	28	μA	
average drift		30	–	–	–	nA/°C	
power supply rejection ratio	DC	48	45	43	43	dB	
common-mode rejection ratio	DC	47	43	41	41	dB	
supply current (per channel)	R <sub>L</sub> = ∞	3.2	3.8	4.0	4.0	mA	
<b>MISCELLANEOUS PERFORMANCE</b>							
input resistance (non-inverting)		0.88	0.52	0.47	0.47	MΩ	
input capacitance (non-inverting)		1.45	2.15	2.15	2.15	pF	
common-mode input range		±4.2	±4.1	±4.1	±4.0	V	
output voltage range	R <sub>L</sub> = 100Ω	±3.8	±3.6	±3.6	±3.5	V	
output voltage range	R <sub>L</sub> = ∞	±4.0	±3.8	±3.8	±3.7	V	
output current		130	100	80	50	mA	B
output resistance, closed loop	DC	60	90	90	120	mΩ	

### Notes

B) The short circuit current can exceed the maximum safe output current.

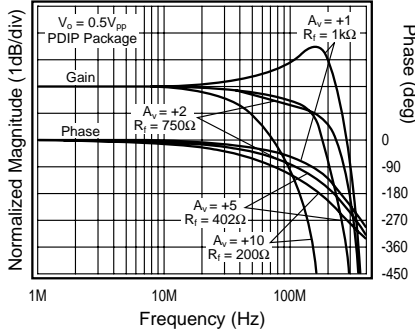
### Package Thermal Resistance

Package	θ <sub>JC</sub>	θ <sub>JA</sub>
Plastic (IN)	60°C/W	110°C/W
Surface Mount (IM)	55°C/W	125°C/W

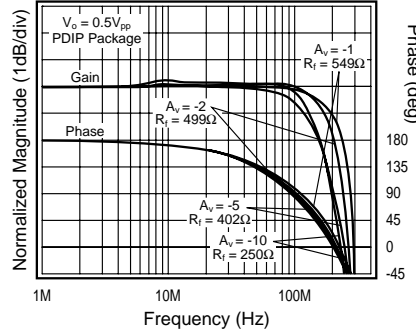
### Ordering Information

Model	Temperature Range	Description
CLC5623IN	-40°C to +85°C	8-pin PDIP
CLC5623IM	-40°C to +85°C	8-pin SOIC
CLC5623IMX	-40°C to +85°C	8-pin SOIC tape and reel

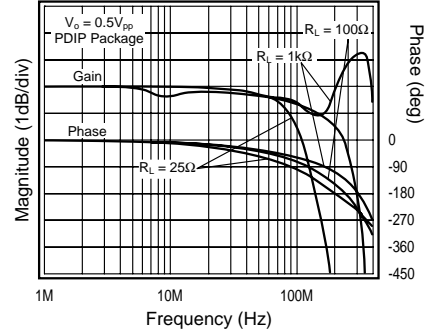
**Frequency Response**



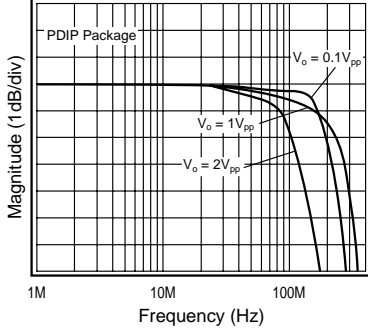
**Inverting Frequency Response**



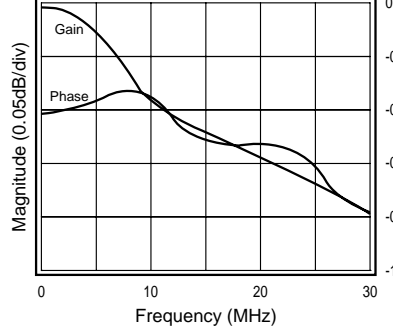
**Frequency Response vs.  $R_L$**



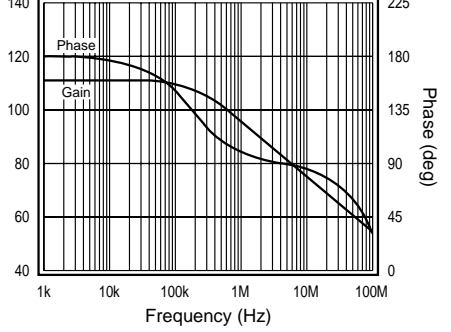
**Frequency Response vs.  $V_o$**



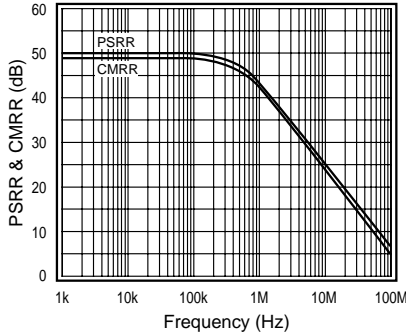
**Gain Flatness & Linear Phase**



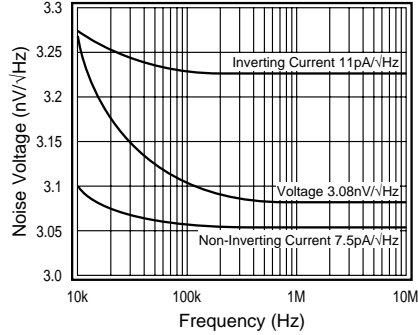
**Open Loop Transimpedance Gain, Z(s)**



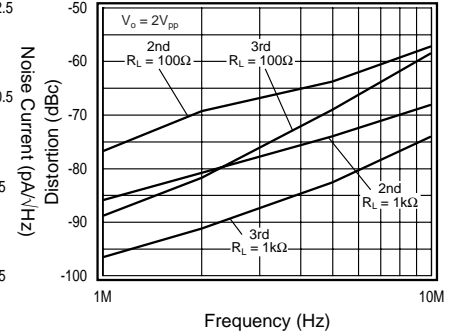
**PSRR & CMRR**



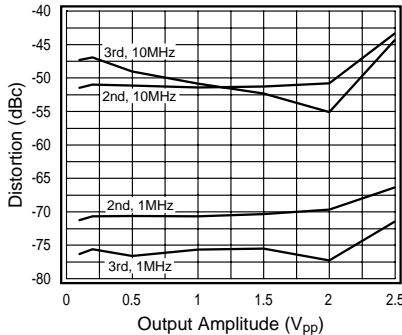
**Equivalent Input Noise**



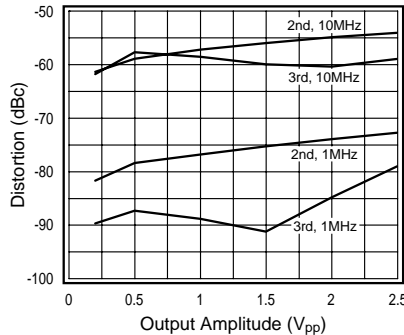
**2nd & 3rd Harmonic Distortion**



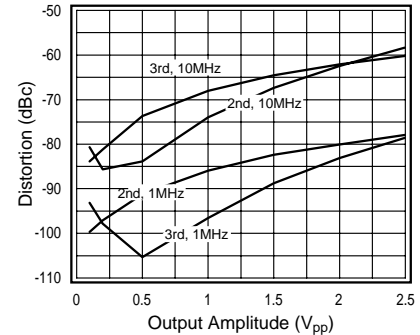
**2nd & 3rd Harmonic Distortion,  $R_L = 25\Omega$**



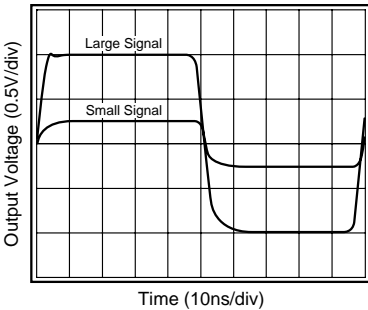
**2nd & 3rd Harmonic Distortion,  $R_L = 100\Omega$**



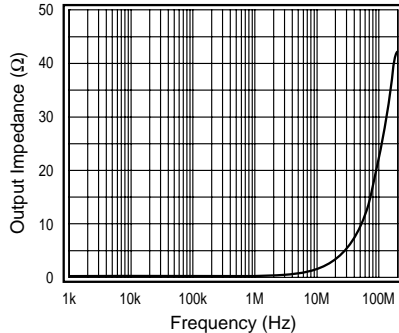
**2nd & 3rd Harmonic Distortion,  $R_L = 1k\Omega$**



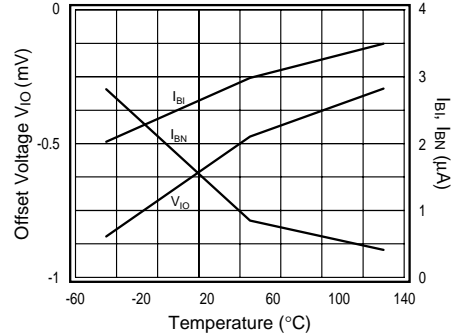
**Large & Small Signal Pulse Response**



**Output Impedance vs. Frequency**

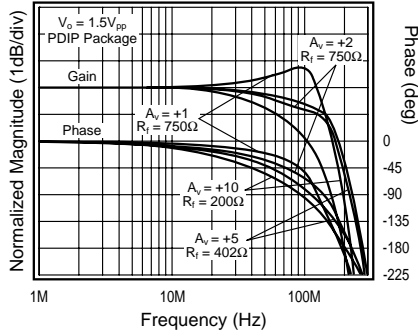


**$I_{BI}$ ,  $I_{BN}$ ,  $V_{IO}$  vs. Temperature**

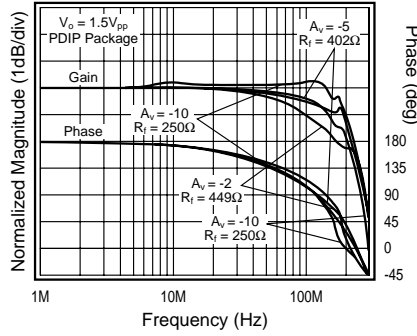


# ±5V Typical Performance ( $A_v = +2$ , $R_f = 1k\Omega$ (PDIP), $R_L = 100\Omega$ , $V_{CC} = \pm 5V$ , unless specified)

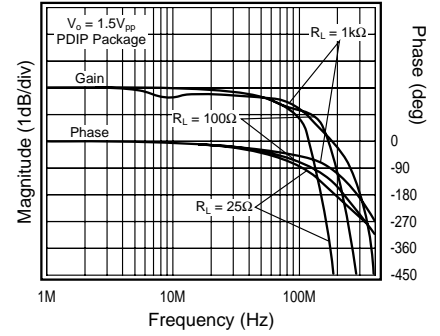
**Frequency Response**



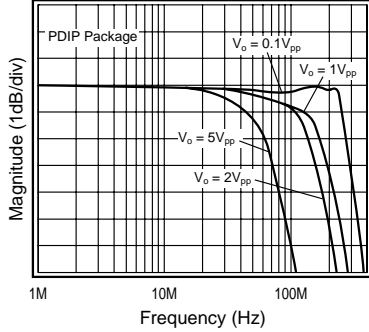
**Inverting Frequency Response**



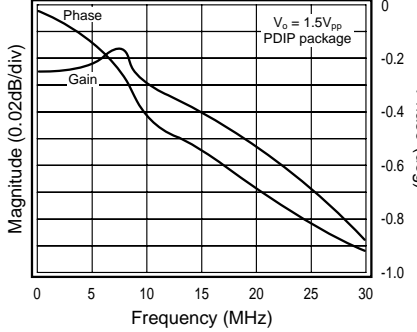
**Frequency Response vs.  $R_L$**



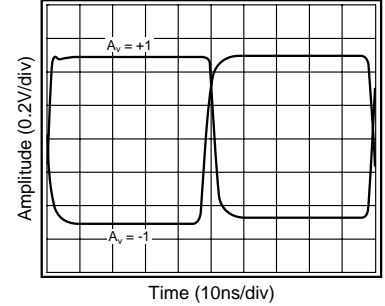
**Frequency Response vs.  $V_o$**



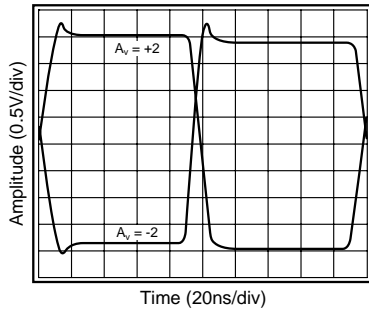
**Gain Flatness & Linear Phase**



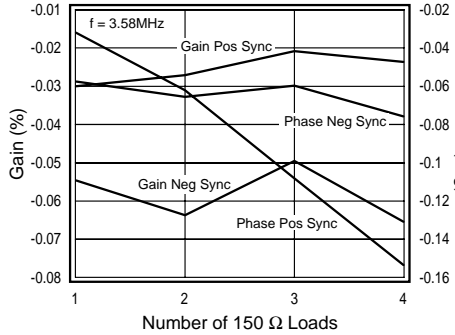
**Small Signal Pulse Response**



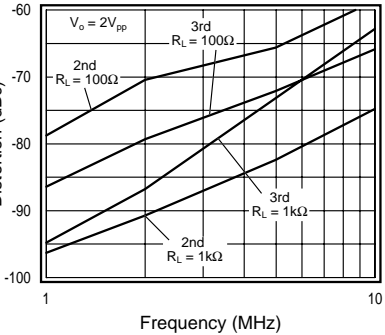
**Large Signal Pulse Response**



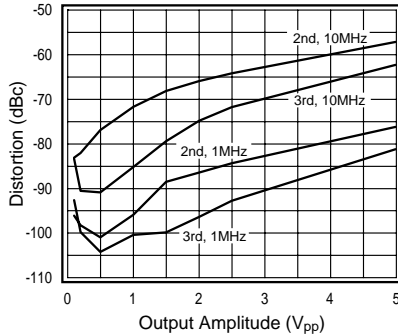
**Differential Gain & Phase**



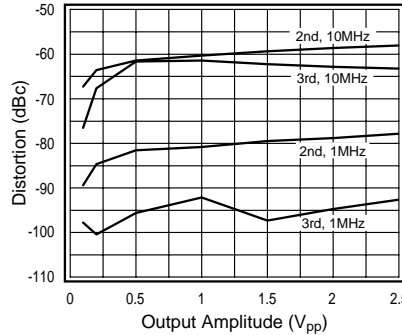
**2nd & 3rd Harmonic Distortion**



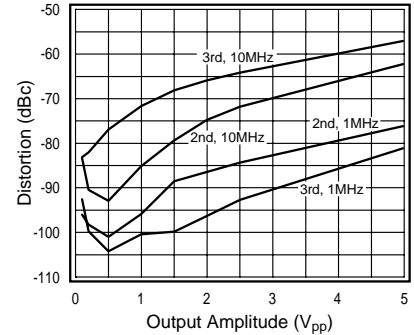
**2nd & 3rd Harmonic Distortion,  $R_L = 25\Omega$**



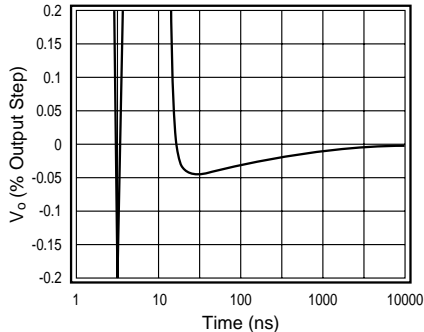
**2nd & 3rd Harmonic Distortion,  $R_L = 100\Omega$**



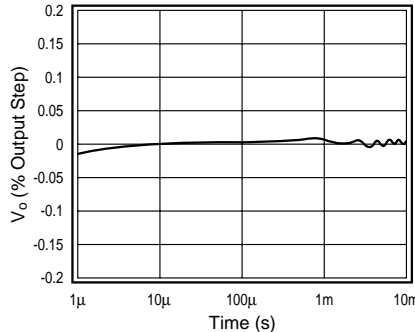
**2nd & 3rd Harmonic Distortion,  $R_L = 1k\Omega$**



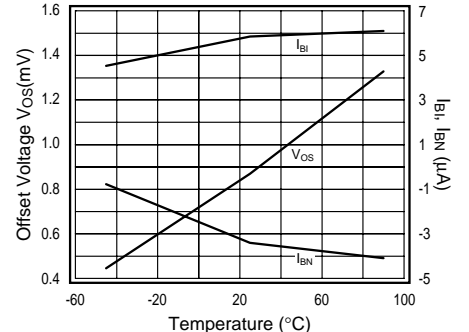
**Short Term Settling Time**



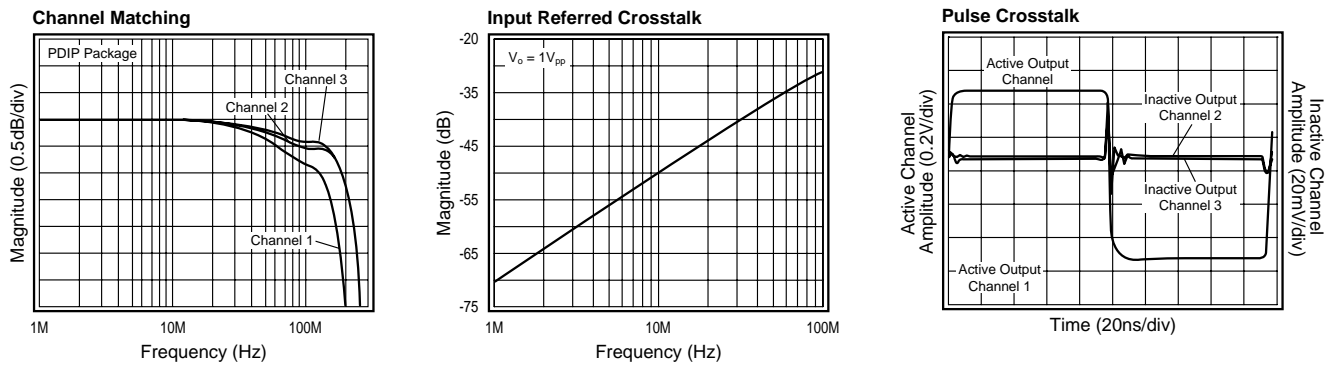
**Long Term Settling Time**



**$I_{BI}$ ,  $I_{BN}$ ,  $V_{OS}$  vs. Temperature**



## ±5V Typical Channel Matching Performance ( $A_v = +2$ , $R_f = 1k\Omega$ (PDIP), $R_L = 100\Omega$ , $V_{CC} = \pm 5V$ , unless specified)



## CLC5623 OPERATION

The CLC5623 is a current feedback amplifier built in an advanced complementary bipolar process. The CLC5623 operates from a single 5V supply or dual  $\pm 5V$  supplies. Operating from a single supply, the CLC5623 has the following features:

- Provides 100mA of output current while consuming 15mW of power
- Offers low -85/-96dB 2nd and 3rd harmonic distortion
- Provides BW > 100MHz and 1MHz distortion < -70dBc at  $V_o = 2V_{pp}$

The CLC5623 performance is further enhanced in  $\pm 5V$  supply applications as indicated in the **±5V Electrical Characteristics** table and **±5V Typical Performance** plots.

### Current Feedback Amplifiers

Some of the key features of current feedback technology are:

- Independence of AC bandwidth and voltage gain
- Inherently stable at unity gain
- Adjustable frequency response with feedback resistor
- High slew rate
- Fast settling

Current feedback operation can be described using a simple equation. The voltage gain for a non-inverting or inverting current feedback amplifier is approximated by Equation 1.

$$\frac{V_o}{V_{in}} = \frac{A_v}{1 + \frac{R_f}{Z(j\omega)}} \quad \text{Equation 1}$$

where:

- $A_v$  is the closed loop DC voltage gain
- $R_f$  is the feedback resistor
- $Z(j\omega)$  is the CLC5623's open loop transimpedance gain
- $\frac{Z(j\omega)}{R_f}$  is the loop gain

The denominator of Equation 1 is approximately equal to 1 at low frequencies. Near the -3dB corner frequency, the interaction between  $R_f$  and  $Z(j\omega)$  dominates the circuit performance. The value of the feedback resistor has a large affect on the circuits performance. Increasing  $R_f$  has the following affects:

- Decreases loop gain
- Decreases bandwidth
- Reduces gain peaking
- Lowers pulse response overshoot
- Affects frequency response phase linearity

Refer to the **Feedback Resistor Selection** section for more details on selecting a feedback resistor value.

## CLC5623 DESIGN INFORMATION

### Single Supply Operation ( $V_{CC} = +5V$ , $V_{EE} = \text{GND}$ )

The specifications given in the **±5V Electrical Characteristics** table for single supply operation are measured with a common mode voltage ( $V_{cm}$ ) of 2.5V.  $V_{cm}$  is the voltage around which the inputs are applied and the output voltages are specified.

Operating from a single +5V supply, the Common Mode Input Range (CMIR) of the CLC5623 is typically +0.8V to

+4.2V. The typical output range with  $R_L = 100\Omega$  is +1.0V to +4.0V.

For single supply DC coupled operation, keep input signal levels above 0.8V DC. For input signals that drop below 0.8V DC, AC coupling and level shifting the signal are recommended. The non-inverting and inverting configurations for both input conditions are illustrated in the following 2 sections.

### DC Coupled Single Supply Operation

Figures 1 and 2 show the recommended non-inverting and inverting configurations for input signals that remain above 0.8V DC.

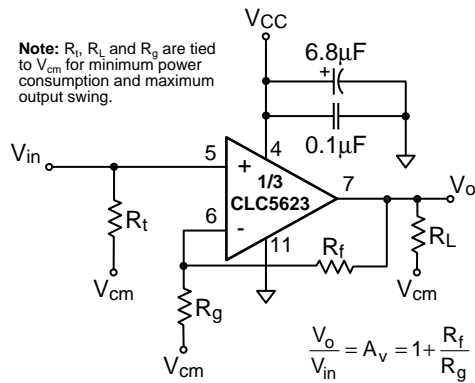


Figure 1: Non-Inverting Configuration

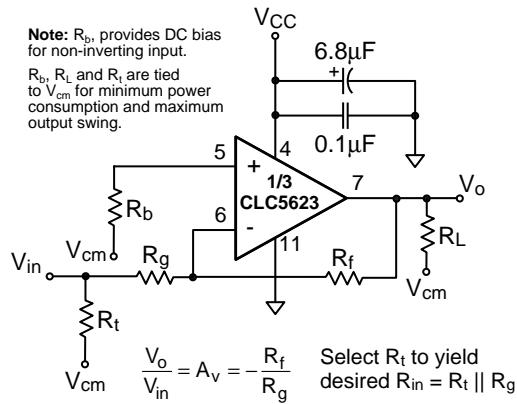


Figure 2: Inverting Configuration

### AC Coupled Single Supply Operation

Figures 3 and 4 show possible non-inverting and inverting configurations for input signals that go below 0.8V DC. The input is AC coupled to prevent the need for level shifting the input signal at the source. The resistive voltage divider biases the non-inverting input to  $V_{CC} \div 2 = 2.5V$  (For  $V_{CC} = +5V$ ).

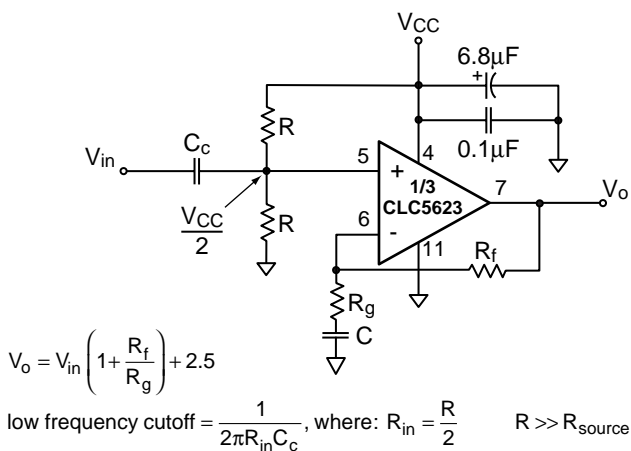


Figure 3: AC Coupled Non-Inverting Configuration

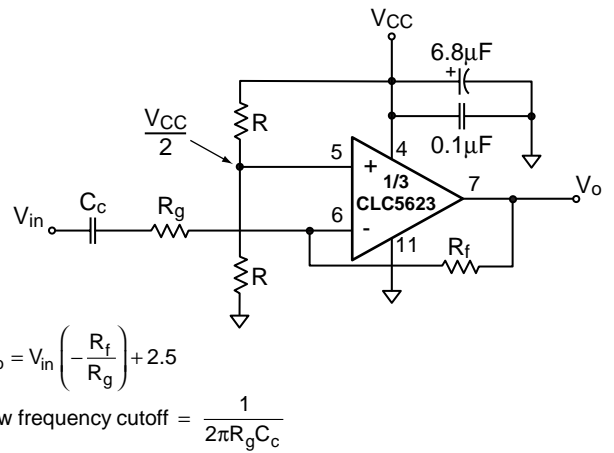


Figure 4: AC Coupled Inverting Configuration

### Dual Supply Operation

The CLC5623 operates on dual supplies as well as single supplies. The non-inverting and inverting configurations are shown in Figures 5 and 6.

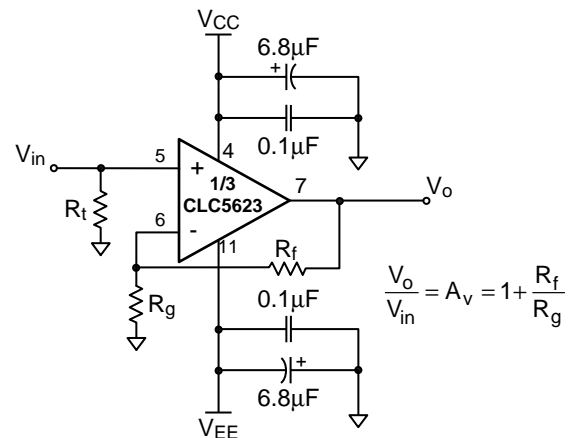


Figure 5: Dual Supply Non-Inverting Configuration

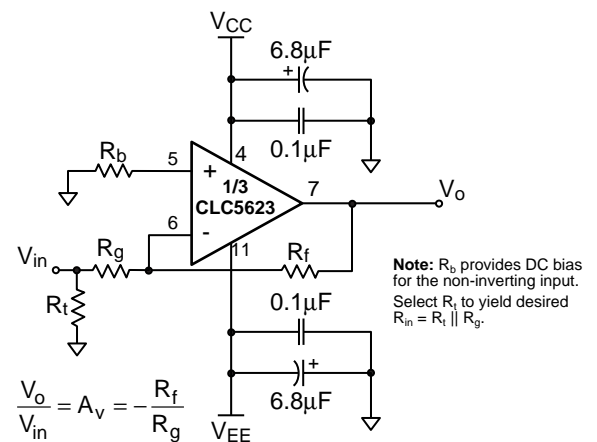


Figure 6: Dual Supply Inverting Configuration

### Feedback Resistor Selection

The feedback resistor,  $R_f$ , affects the loop gain and frequency response of a current feedback amplifier. Optimum performance of the CLC5623, at a gain of  $+2V/V$ , is achieved with  $R_f$  equal to  $750\Omega$  for the SOIC package and  $1k\Omega$  for the PDIP package. The frequency response plots in the **Typical Performance** sections illustrate the recommended  $R_f$  for several gains. These recommended values of  $R_f$  provide the maximum bandwidth with minimal peaking. Within limits,  $R_f$  can be adjusted to optimize the frequency response.

- Decrease  $R_f$  to peak frequency response and extend bandwidth
- Increase  $R_f$  to roll off frequency response and compress bandwidth

As a rule of thumb, if the recommended  $R_f$  is doubled, then the bandwidth will be cut in half.

### Unity Gain Operation

The recommended  $R_f$  for unity gain ( $+1V/V$ ) operation is  $750\Omega$  (for the PDIP package).  $R_g$  is left open. Parasitic capacitance at the inverting node may require a slight increase in  $R_f$  to maintain a flat frequency response.

### Load Termination

The CLC5623 can source and sink near equal amounts of current. For optimum performance, the load should be tied to  $V_{cm}$ .

Additional parasitics and limitations on decoupling in the CLC5623IN combine to provide a lower level of performance than the CLC5623IM. The specifications in the Electrical Characteristics tables are based on the performance of the DIP package (CLC5623IN). For optimum performance, use the CLC5623IM (SOIC package). Proper supply decoupling and board layout are critical factors for obtaining optimum performance of the CLC5623IN. Board layout is less critical for the SOIC package. Use the evaluation boards as a guide to proper layout.

Figure 7 illustrates the frequency response versus output amplitude for the CLC5623IM. Compare the **Frequency Response vs.  $V_o$**  plot, in the  **$\pm 5V$  Typical Performance** section, with Figure 7. Notice that gain flatness and bandwidth improve when the SOIC package is used.

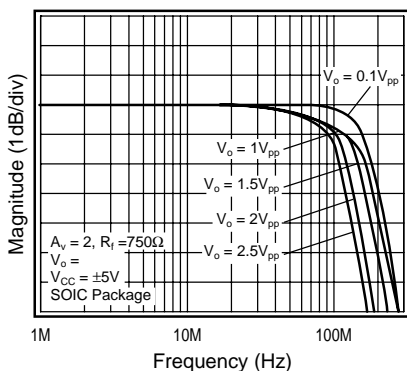


Figure 7: Frequency Response vs.  $V_o$

Figure 8 illustrates the channel matching performance of the surface mount version of the CLC5623. Once again, the surface mount package performs better. If optimum performance is desired, use the surface mount version of the CLC5623.

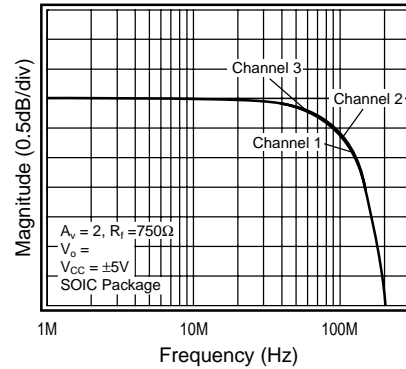


Figure 8: Channel Matching Performance

### Driving Cables and Capacitive Loads

When driving cables, double termination is used to prevent reflections. For capacitive load applications, a small series resistor at the output of the CLC5623 will improve stability and settling performance. The **Frequency Response vs.  $C_L$**  plot, shown below in Figure 9, gives the recommended series resistance value for optimum flatness at various capacitive loads.

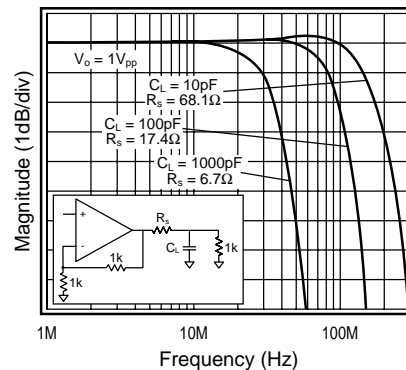


Figure 9: Frequency Response vs.  $C_L$

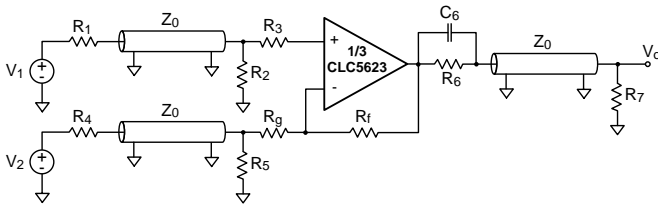
### Transmission Line Matching

One method for matching the characteristic impedance ( $Z_0$ ) of a transmission line or cable is to place the appropriate resistor at the input or output of the amplifier. Figure 10 shows typical inverting and non-inverting circuit configurations for matching transmission lines.

Non-inverting gain applications:

- Connect  $R_g$  directly to ground.
- Make  $R_1$ ,  $R_2$ ,  $R_6$ , and  $R_7$  equal to  $Z_0$ .
- Use  $R_3$  to isolate the amplifier from reactive loading caused by the transmission line, or by parasitics.





**Figure 10: Transmission Line Matching**

Inverting gain applications:

- Connect  $R_3$  directly to ground.
- Make the resistors  $R_4$ ,  $R_6$ , and  $R_7$  equal to  $Z_0$ .
- Make  $R_5 \parallel R_9 = Z_0$ .

The input and output matching resistors attenuate the signal by a factor of 2, therefore additional gain is needed. Use  $C_6$  to match the output transmission line over a greater frequency range.  $C_6$  compensates for the increase of the amplifier's output impedance with frequency.

### Power Dissipation

Follow these steps to determine the power consumption of the CLC5623:

1. Calculate the quiescent (no-load) power:  

$$P_{amp} = I_{CC} (V_{CC} - V_{EE})$$
2. Calculate the RMS power at the output stage:  

$$P_o = (V_{CC} - V_{load}) (I_{load})$$
, where  $V_{load}$  and  $I_{load}$  are the RMS voltage and current across the external load.
3. Calculate the total RMS power:  

$$P_t = P_{amp} + P_o$$

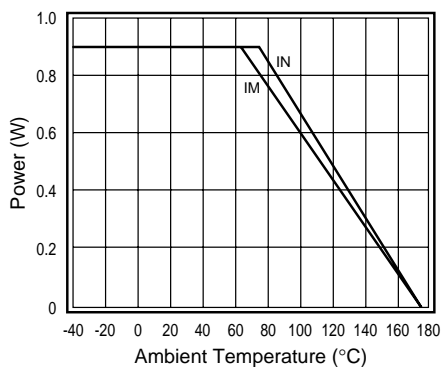
The maximum power that the DIP and SOIC packages can dissipate at a given temperature is illustrated in Figure 11. The power derating curve for any CLC5623 package can be derived by utilizing the following equation:

$$\frac{(175^\circ - T_{amb})}{\theta_{JA}}$$

where

$T_{amb}$  = Ambient temperature ( $^\circ\text{C}$ )

$\theta_{JA}$  = Thermal resistance, from junction to ambient, for a given package ( $^\circ\text{C}/\text{W}$ )



**Figure 11: Power Derating Curves**

### Layout Considerations

A proper printed circuit layout is essential for achieving high frequency performance. National provides evaluation boards for the CLC5623 (CLC730075-DIP, CLC730074-SOIC) and suggests their use as a guide for high frequency layout and as an aid for device testing and characterization.

General layout and supply bypassing play major roles in high frequency performance. Follow the steps below as a basis for high frequency layout:

- Include 6.8 $\mu\text{F}$  tantalum and 0.1 $\mu\text{F}$  ceramic capacitors on both supplies.
- Place the 6.8 $\mu\text{F}$  capacitors within 0.75 inches of the power pins.
- Place the 0.1 $\mu\text{F}$  capacitors less than 0.1 inches from the power pins.
- Remove the ground plane under and around the part, especially near the input and output pins to reduce parasitic capacitance.
- Minimize all trace lengths to reduce series inductances.
- Use flush-mount printed circuit board pins for prototyping, never use high profile DIP sockets.

### Evaluation Board Information

A data sheet is available for the CLC730075/ CLC730074 evaluation boards. The evaluation board data sheet provides:

- Evaluation board schematics
- Evaluation board layouts
- General information about the boards

The evaluation boards are designed to accommodate dual supplies. The boards can be modified to provide single supply operation. For best performance; 1) do not connect the unused supply, 2) ground the unused supply pin.

### SPICE Models

SPICE models provide a means to evaluate amplifier designs. Free SPICE models are available for National's monolithic amplifiers that:

- Support Berkeley SPICE 2G and its many derivatives
- Reproduce typical DC, AC, Transient, and Noise performance
- Support room temperature simulations

The *readme* file that accompanies the diskette lists released models, and provides a list of modeled parameters. The application note OA-18, Simulation SPICE Models for National's Op Amps, contains schematics and a reproduction of the readme file.

# Application Circuits

## Single Supply Cable Driver

The typical application shown below shows one of the CLC5623 amplifiers driving 10m of 75Ω coaxial cable. The CLC5623 is set for a gain of +2V/V to compensate for the divide-by-two voltage drop at  $V_o$ .

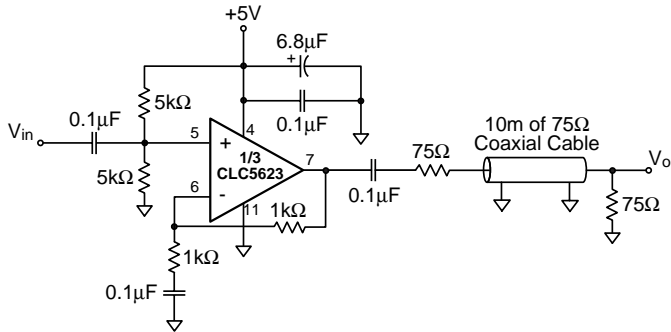


Figure 12: Single Supply Cable Driver

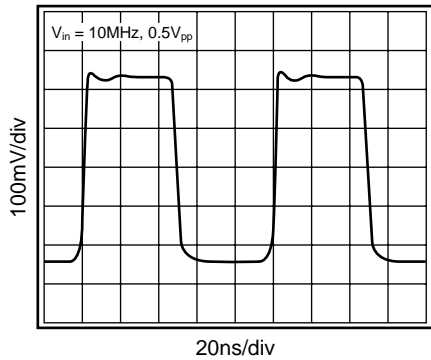


Figure 13: Response After 10m of Cable

## Single Supply Lowpass Filter

Figures 14 and 15 illustrate a lowpass filter and design equations. The circuit operates from a single supply of +5V. The voltage divider biases the non-inverting input to 2.5V. And the input is AC coupled to prevent the need for level shifting the input signal at the source. Use the design equations to determine  $R_1$ ,  $R_2$ ,  $C_1$ , and  $C_2$  based on the desired Q and corner frequency.

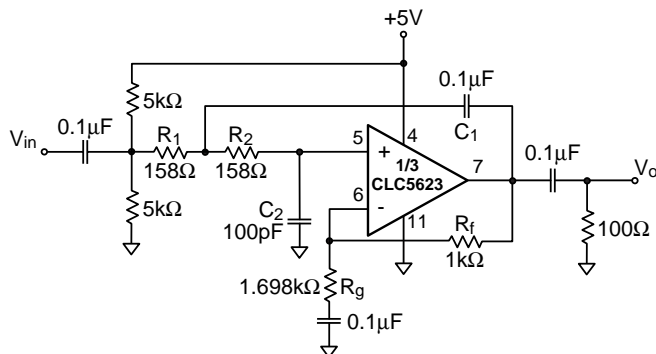


Figure 14: Lowpass Filter Topology

$$\text{Gain} = K = 1 + \frac{R_f}{R_g}$$

$$\text{Corner frequency} = \omega_c = \sqrt{\frac{1}{R_1 R_2 C_1 C_2}}$$

$$Q = \frac{1}{\sqrt{\frac{R_2 C_2}{R_1 C_1} + \frac{R_1 C_2}{R_2 C_1} + (1-K) \sqrt{\frac{R_1 C_1}{R_2 C_2}}}}$$

For  $R_1 = R_2 = R$  and  $C_1 = C_2 = C$

$$\omega_c = \frac{1}{RC}$$

$$Q = \frac{1}{(3-K)}$$

Figure 15: Design Equations

This example illustrates a lowpass filter with  $Q = 0.707$  and corner frequency  $f_c = 10\text{MHz}$ . A Q of 0.707 was chosen to achieve a maximally flat, Butterworth response. Figure 16 indicates the filter response.

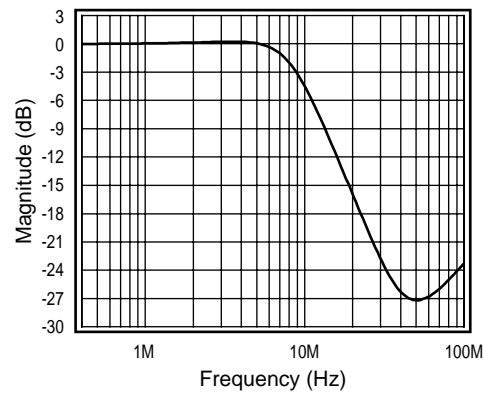
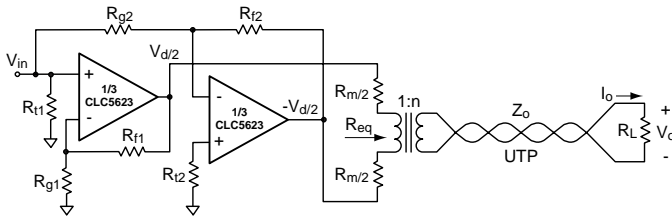


Figure 16: Lowpass Response

## Differential Line Driver With Load Impedance Conversion

The circuit shown in the *Typical Application* schematic on the front page and in Figure 17, operates as a differential line driver. The transformer converts the load impedance to a value that best matches the CLC5623's output capabilities. The single-ended input signal is converted to a differential signal by the CLC5623. The line's characteristic impedance is matched at both the input and the output. The schematic shows Unshielded Twisted Pair for the transmission line; other types of lines can also be driven.



**Figure 17: Differential Line Driver with Load Impedance Conversion**

Set up the CLC5623 as a difference amplifier:

$$\frac{V_d}{V_{in}} = 2 \cdot \left( 1 + \frac{R_{f1}}{R_{g1}} \right) = 2 \cdot \frac{R_{f2}}{R_{g2}}$$

Make the best use of the CLC5623's output drive capability as follows:

$$R_m + R_{eq} = \frac{2 \cdot V_{max}}{I_{max}}$$

where  $R_{eq}$  is the transformed value of the load impedance,  $V_{max}$  is the Output Voltage Range, and  $I_{max}$  is the maximum Output Current.

Match the line's characteristic impedance:

$$\begin{aligned} R_L &= Z_o \\ R_m &= R_{eq} \\ n &= \sqrt{\frac{R_L}{R_{eq}}} \end{aligned}$$

Select the transformer so that it loads the line with a value very near  $Z_o$  over frequency range. The output impedance of the CLC5623 also affects the match. With an ideal transformer we obtain:

$$\text{Return Loss} = -20 \cdot \log_{10} \left| \frac{n^2 \cdot Z_{o(5623)}(j\omega)}{Z_o} \right|, \text{dB}$$

where  $Z_{o(5623)}(j\omega)$  is the output impedance of the CLC5623 and  $|Z_{o(5623)}(j\omega)| \ll R_m$ .

The load voltage and current will fall in the ranges:

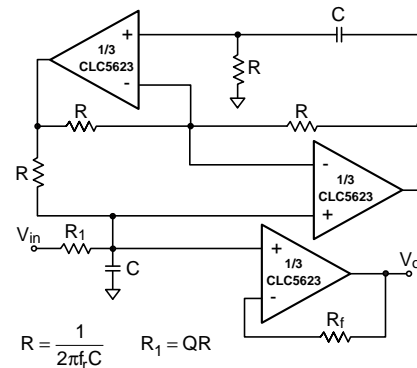
$$\begin{aligned} |V_o| &\leq n \cdot V_{max} \\ |I_o| &\leq \frac{I_{max}}{n} \end{aligned}$$

The CLC5623's high output drive current and low distortion make it a good choice for this application.

## Bandpass Filter

Figure 18 illustrates a low-sensitivity bandpass filter and design equations. This topology utilizes the CLC5623's closely matched amplifiers to obtain low op-amp sensitivity at high frequencies. The third CLC5623 is used as a buffer to obtain low output impedance. The overall circuit gain is unity. For additional gain, the third CLC5623 can be configured as a non-inverting amplifier.

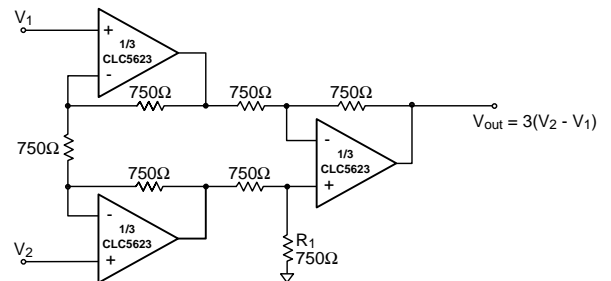
To design the filter, choose C and then determine values for R and  $R_1$  based on the desired resonant frequency ( $f_r$ ) and Q factor.



**Figure 18: Bandpass Filter Topology**

## Instrumentation Amplifier

An instrumentation circuit is shown on the front page and reproduced in Figure 19. The DC CMRR can be fine tuned by adjusting  $R_1$ .



**Figure 19: Instrumentation Amplifier**

---

### Customer Design Applications Support

National Semiconductor is committed to design excellence. For sales, literature and technical support, call the National Semiconductor Customer Response Group at **1-800-272-9959** or fax **1-800-737-7018**.

#### Life Support Policy

National's products are not authorized for use as critical components in life support devices or systems without the express written approval of the president of National Semiconductor Corporation. As used herein:

1. Life support devices or systems are devices or systems which, a) are intended for surgical implant into the body, or b) support or sustain life, and whose failure to perform, when properly used in accordance with instructions for use provided in the labeling, can be reasonably expected to result in a significant injury to the user.
2. A critical component is any component of a life support device or system whose failure to perform can be reasonably expected to cause the failure of the life support device or system, or to affect its safety or effectiveness.



#### National Semiconductor Corporation

1111 West Bardin Road  
Arlington, TX 76017  
Tel: 1(800) 272-9959  
Fax: 1(800) 737-7018

#### National Semiconductor Europe

Fax: (+49) 0-180-530 85 86  
E-mail: europe.support.nsc.com  
Deutsch Tel: (+49) 0-180-530 85 85  
English Tel: (+49) 0-180-532 78 32  
Francais Tel: (+49) 0-180-532 93 58  
Italiano Tel: (+49) 0-180-534 16 80

#### National Semiconductor Hong Kong Ltd.

2501 Miramar Tower  
1-23 Kimberley Road  
Tsimshatsui, Kowloon  
Hong Kong  
Tel: (852) 2737-1600  
Fax: (852) 2736-9960

#### National Semiconductor Japan Ltd.

Tel: 81-043-299-2309  
Fax: 81-043-299-2408

---

National does not assume any responsibility for use of any circuitry described, no circuit patent licenses are implied and National reserves the right at any time without notice to change said circuitry and specifications.