

TDA8933B

Class D audio amplifier

Rev. 01 — 23 October 2008

Preliminary data sheet

1. General description

The TDA8933B is a high-efficiency class D amplifier with low power dissipation.

The continuous time output power is $2 \times 10 \text{ W}$ in a stereo half-bridge application ($R_L = 8 \Omega$) or $1 \times 20 \text{ W}$ in a mono full-bridge application ($R_L = 16 \Omega$). Due to the low power dissipation the device can be used without any external heat sink when playing music. Due to the implementation of Thermal Foldback (TF) the device remains operating with considerable music output power without the need for an external heat sink, even for high supply voltages and/or lower load impedances.

The device has two full differential inputs driving two independent outputs. It can be used in a mono full-bridge configuration (Bridge-Tied Load (BTL)) or as stereo half-bridge configuration (Single-Ended (SE)).

2. Features

- Operating voltage from 10 V to 36 V asymmetrical or $\pm 5 \text{ V}$ to $\pm 18 \text{ V}$ symmetrical
- Mono bridge-tied load (full-bridge) or stereo single-ended (half-bridge) application
- Application without heat sink using thermally enhanced small outline package
- High efficiency and low-power dissipation
- Thermal foldback to avoid audio holes
- Current limiting to avoid audio holes
- Full short circuit proof across load and to supply lines (using advanced current protection)
- Internal or external oscillator (master-slave setting) that can be switched
- No pop noise
- Full differential inputs

3. Applications

- Flat-panel television sets
- Flat-panel monitor sets
- Multimedia systems
- Wireless speakers
- Mini/micro systems
- Home sound sets

4. Quick reference data

Table 1. Quick reference data

General; $V_P = 25\text{ V}$, $f_{osc} = 320\text{ kHz}$, $T_{amb} = 25\text{ °C}$ unless specified otherwise

Symbol	Parameter	Conditions	Min	Typ	Max	Unit
V_P	supply voltage	asymmetrical supply	10	25	36	V
I_P	supply current	Sleep mode	-	0.6	1.0	mA
$I_{q(tot)}$	total quiescent current	Operating mode; no load; no snubbers or filter connected	-	40	50	mA

Stereo SE channel; $R_s < 0.1\ \Omega$ [1]

$P_{O(RMS)}$	RMS output power	continuous time output power per channel [2]				
		$R_L = 4\ \Omega$; $V_P = 17\text{ V}$				
		THD+N = 10 %, $f_i = 1\text{ kHz}$	7.5	8.5	-	W
		$R_L = 8\ \Omega$; $V_P = 25\text{ V}$				
		THD+N = 10 %, $f_i = 1\text{ kHz}$	9.3	10.3	-	W

Mono BTL channel; $R_s < 0.1\ \Omega$ [1]

$P_{O(RMS)}$	RMS output power	continuous time output power [2]				
		$R_L = 8\ \Omega$; $V_P = 17\text{ V}$				
		THD+N = 10 %, $f_i = 1\text{ kHz}$	15.4	17.1	-	W
		$R_L = 16\ \Omega$; $V_P = 25\text{ V}$				
		THD+N = 10 %, $f_i = 1\text{ kHz}$	18.9	20.6	-	W

[1] R_s is the total series resistance of an inductor and an ESR single-ended capacitor in the application.

[2] Output power is measured indirectly, based on R_{DSon} measurement.

5. Ordering information

Table 2. Ordering information

Type number	Package		Version
	Name	Description	
TDA8933BTW	HTSSOP32	plastic thermal enhanced thin shrink small outline package; 32 leads; body width 6.1 mm; lead pitch 0.65 mm; exposed die pad	SOT549-1

6. Block diagram

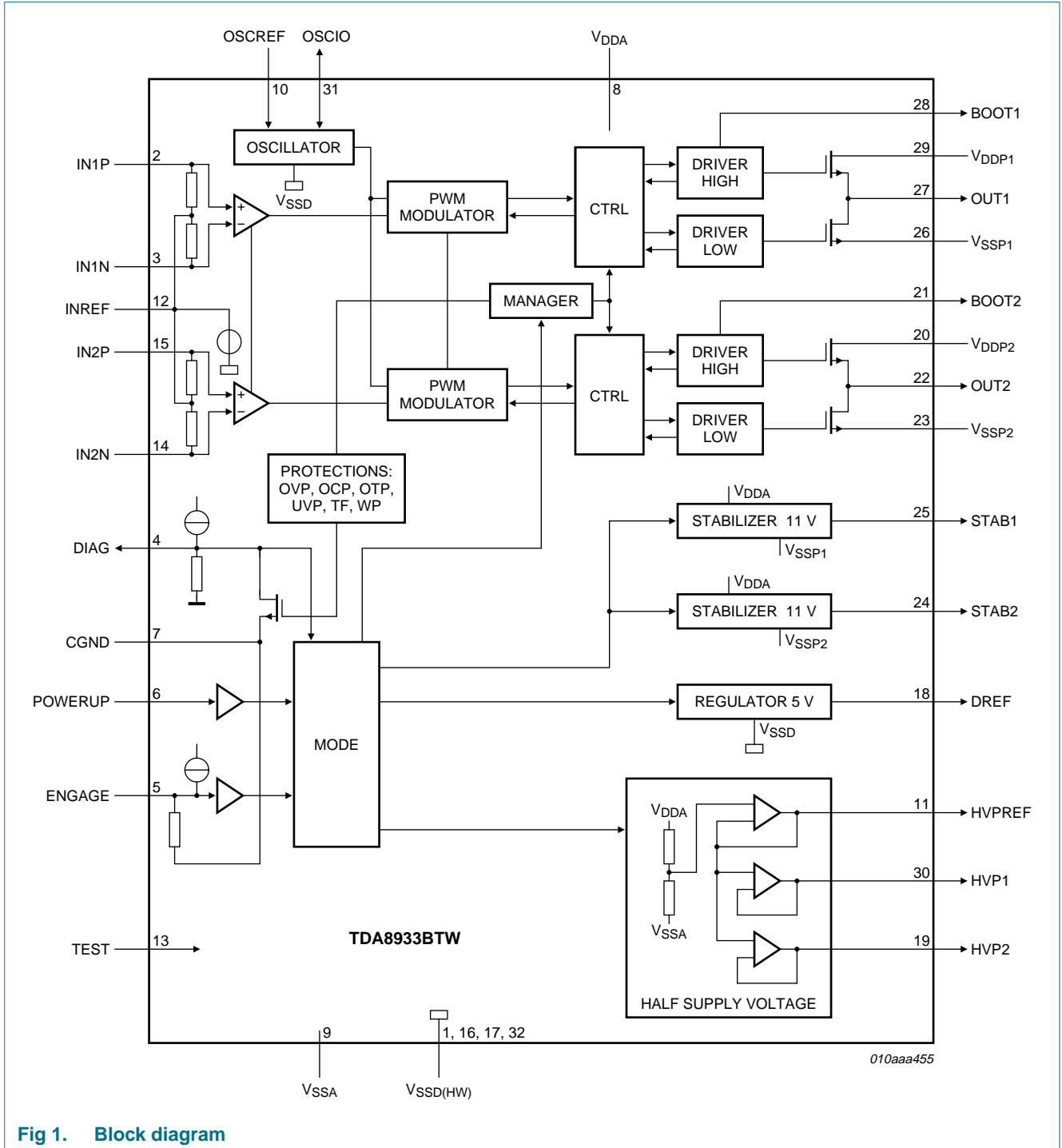


Fig 1. Block diagram

7. Pinning information

7.1 Pinning

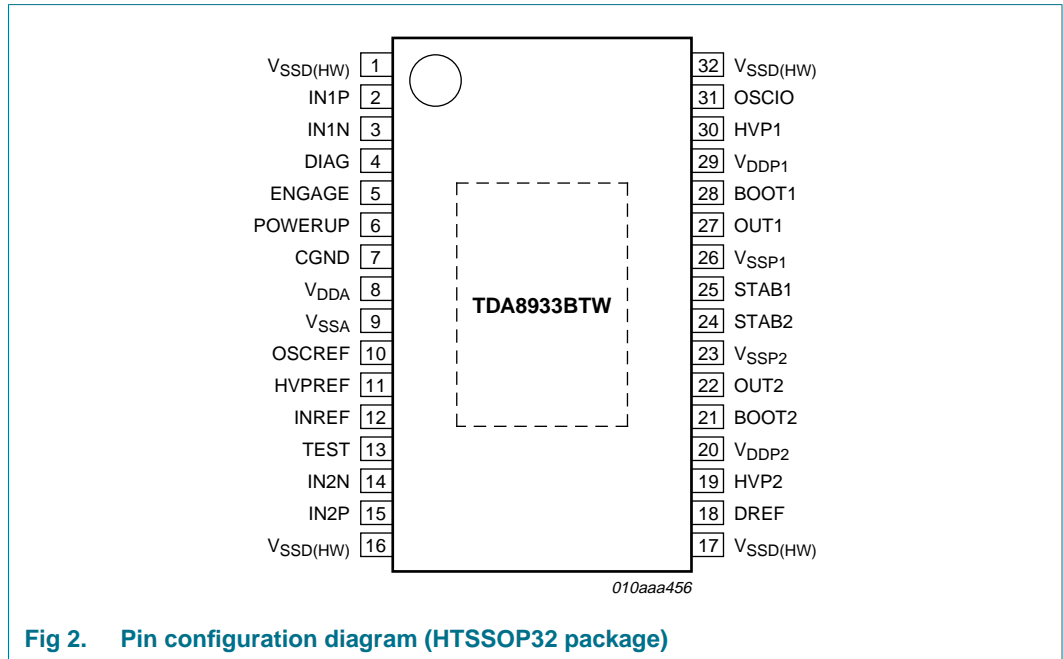


Fig 2. Pin configuration diagram (HTSSOP32 package)

7.2 Pin description

Table 3. Pinning description

Symbol	Pin	Description
$V_{SSD(HW)}$	1	negative digital supply voltage and handle wafer connection
IN1P	2	positive audio input for channel 1
IN1N	3	negative audio input for channel 1
DIAG	4	diagnostic output; open-drain
ENGAGE	5	engage input to switch between Mute mode and Operating mode
POWERUP	6	power-up input to switch between Sleep mode and Mute mode
CGND	7	control ground; reference for POWERUP, ENGAGE and DIAG
V_{DDA}	8	positive analog supply voltage
V_{SSA}	9	negative analog supply voltage
OSCREF	10	input internal oscillator setting (only master setting)
HVPREF	11	decoupling of internal half supply voltage reference
INREF	12	decoupling for input reference voltage
TEST	13	test signal input; for testing purpose only
IN2N	14	negative audio input for channel 2
IN2P	15	positive audio input for channel 2
$V_{SSD(HW)}$	16	negative digital supply voltage and handle wafer connection
$V_{SSD(HW)}$	17	negative digital supply voltage and handle wafer connection
DREF	18	decoupling of internal (reference) 5 V regulator for logic supply

Table 3. Pinning description ...continued

Symbol	Pin	Description
HVP2	19	half supply output voltage 2 for charging single-ended capacitor for channel 2
V _{DDP2}	20	positive power supply voltage for channel 2
BOOT2	21	bootstrap high-side driver channel 2
OUT2	22	Pulse Width Modulated (PWM) output channel 2
V _{SSP2}	23	negative power supply voltage for channel 2
STAB2	24	decoupling of internal 11 V regulator for channel 2 drivers
STAB1	25	decoupling of internal 11 V regulator for channel 1 drivers
V _{SSP1}	26	negative power supply voltage for channel 1
OUT1	27	PWM output channel 1
BOOT1	28	bootstrap high-side driver for channel 1
V _{DDP1}	29	positive power supply voltage for channel 1
HVP1	30	half supply output voltage 1 for charging single-ended capacitor for channel 1
OSCIO	31	oscillator input in slave configuration or oscillator output in master configuration
V _{SSD(HW)}	32	negative digital supply voltage and handle wafer connection
Exposed die pad ^[1]	-	

[1] The exposed die pad has to be connected to V_{SSD(HW)}.

8. Functional description

8.1 General

The TDA8933B is a mono full-bridge or stereo half-bridge audio power amplifier using class D technology. The audio input signal is converted into a PWM signal via an analog input stage and a PWM modulator. To enable the output power Diffusion Metal Oxide Semiconductor (DMOS) transistors to be driven, this digital PWM signal is applied to a control and handshake block and driver circuits for both the high side and low side. A 2nd-order low-pass filter in the application converts the PWM signal to an analog audio signal across the loudspeakers.

The TDA8933B contains two independent half bridges with full differential input stages. The loudspeakers can be connected in the following configurations:

- Mono full-bridge: Bridge-Tied Load (BTL)
- Stereo half-bridge: Single-Ended (SE)

The TDA8933B contains circuits common to both channels such as the oscillator, all reference sources, the mode functionality and a digital timing manager. The following protections are built-in: thermal foldback and overtemperature, current and voltage protections.

8.2 Mode selection and interfacing

The TDA8933B can be switched to one of four operating modes using pins POWERUP and ENGAGE:

- Sleep mode: with low supply current.
- Mute mode: the amplifiers are switching to idle (50 % duty cycle), but the audio signal at the output is suppressed by disabling the V_I-converter input stages. The capacitors on pins HVP1 and HVP2 have been charged to half the supply voltage (asymmetrical supply only)
- Operating mode: the amplifiers are fully operational with an output signal
- Fault mode

Both pins POWERUP and ENGAGE refer to pin CGND.

Table 4 shows the different modes as a function of the voltages on the POWERUP and ENGAGE pins.

Table 4. Mode selection for the TDA8933B

Mode	Pin		
	POWERUP ^[1]	ENGAGE ^[1]	DIAG
Sleep	< 0.8 V	< 0.8 V	undefined
Mute	2 V to 6 V	< 0.8 V	> 2 V
Operating	2 V to 6 V	2.4 V to 6 V	> 2 V
Fault	2 V to 6 V	undefined	< 0.8 V

[1] When there are symmetrical supply conditions, the voltage applied to pins POWERUP and ENGAGE must never exceed the supply voltage (V_{DDA}, V_{DDP1} or V_{DDP2}).

If the transition between Mute mode and Operating mode is controlled via a time constant, the start-up will be pop-free since the DC output offset voltage is applied gradually to the output. The bias current setting of the V/I-converters is related to the voltage on pin ENGAGE.

- Mute mode: the bias current setting of the V/I-converters is zero (V/I-converters disabled).
- Operating mode: the bias current is at maximum.

The time constant required to apply the DC output offset voltage gradually between Mute mode and Operating mode can be generated by applying a capacitor on pin ENGAGE. The value of the capacitor on pin ENGAGE should be 470 nF.

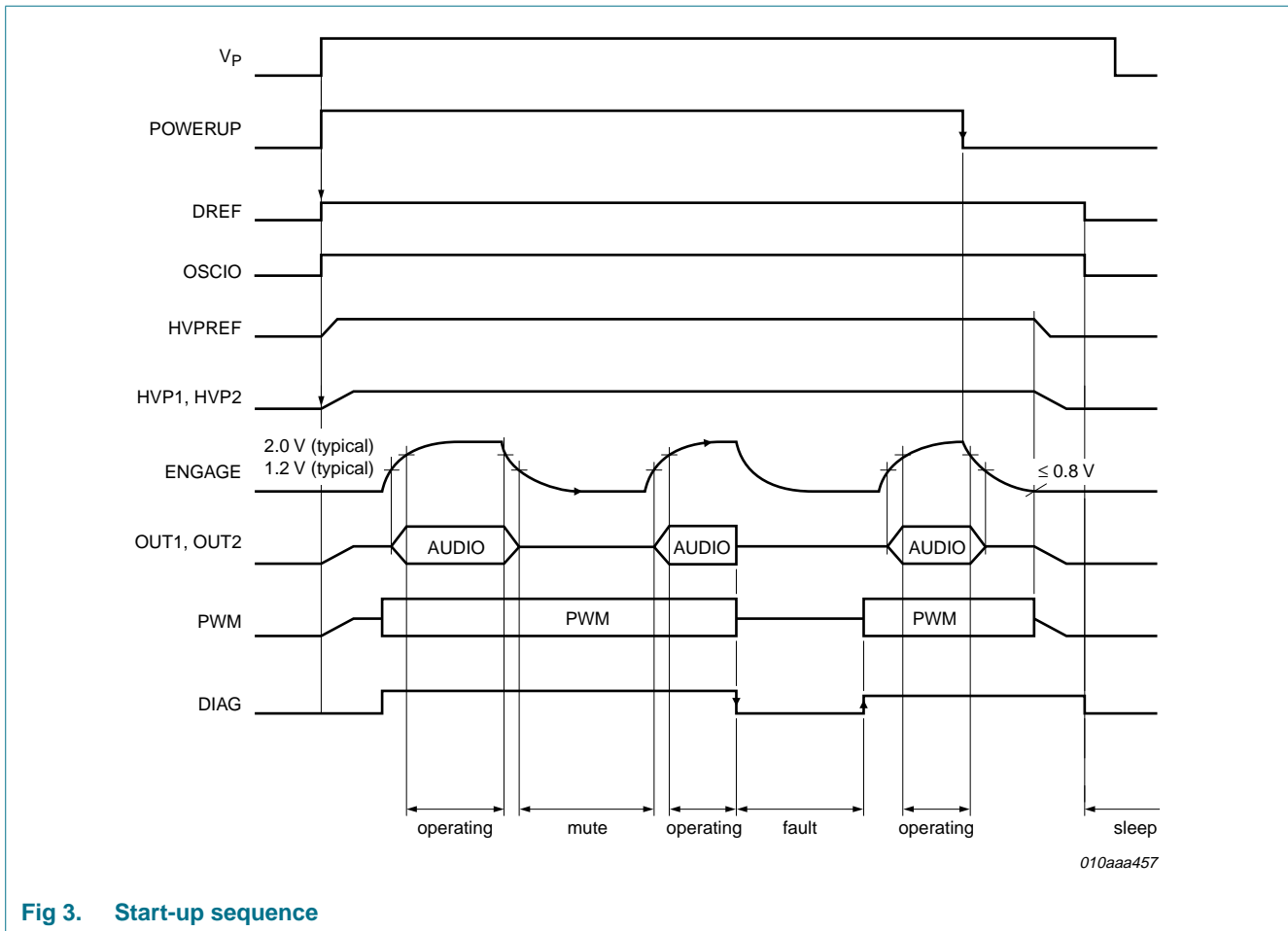


Fig 3. Start-up sequence

8.3 Pulse Width Modulation (PWM) frequency

The output signal of the amplifier is a PWM signal with a carrier frequency of approximately 320 kHz. Using a 2nd-order low-pass filter in the application results in an analog audio signal across the loudspeaker. The PWM switching frequency can be set by an external resistor R_{osc} connected between pin OSCREF and $V_{SSD(HW)}$. The carrier frequency can be set between 300 kHz and 500 kHz. Using an external resistor of 39 kΩ, the carrier frequency is set to a typical value of 320 kHz (see [Figure 4](#)).

If two or more TDA8933B devices are used in the same audio application, it is recommended to synchronize the switching frequency of all devices. See [Section 14.6](#) for more information.

The value of the resistor also sets the frequency of the carrier and can be calculated with [Equation 1](#):

$$f_{osc} = \frac{12.45 \times 10^9}{R_{osc}} \tag{1}$$

Where:

f_{osc} = oscillator frequency (Hz)

R_{osc} = oscillator resistor (Ω) (on pin OSCREF)

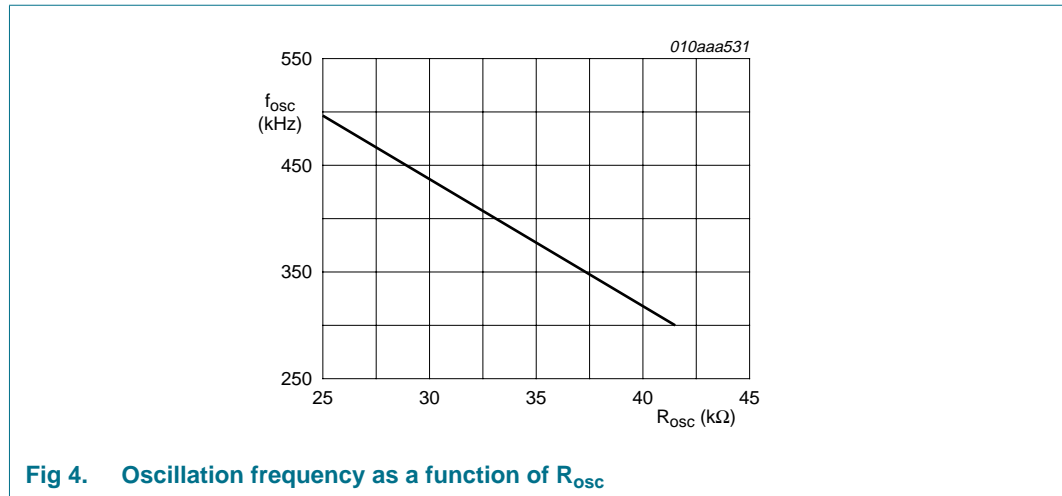


Fig 4. Oscillation frequency as a function of R_{osc}

[Table 5](#) summarizes how to configure the TDA8933B in master or slave configuration.

For device synchronization see [Section 14.6](#).

Table 5. Master or slave configuration

Configuration	Pin	
	OSCREF	OSCIO
Master	$R_{osc} > 25 k\Omega$ to $V_{SSD(HW)}$	output
Slave	$R_{osc} = 0 \Omega$; shorted to $V_{SSD(HW)}$	input

8.4 Protections

The following protections are implemented in the TDA8933B:

- Thermal Foldback (TF)
- OverTemperature Protection (OTP)
- OverCurrent Protection (OCP)
- Window Protection (WP)
- Supply voltage protections
 - UnderVoltage Protection (UVP)
 - OverVoltage Protection (OVP)
 - UnBalance Protection (UBP)
- Electro Static Discharge (ESD)

The behavior of the device under the different fault conditions differs according to the protection activated and is described in the following sections.

8.4.1 Thermal Foldback (FT)

If the junction temperature of the TDA8933B exceeds the threshold level ($T_j > 140 \text{ }^\circ\text{C}$), the gain of the amplifier is decreased gradually to a level where the combination of dissipation (P) and the thermal resistance from junction to ambient ($R_{th(j-a)}$) results in a junction temperature of around the threshold level.

This means that the device will not switch off completely, but remains operational at lower output power levels. With music output signals, this feature enables high peak output powers while still operating without any external heat sink other than the copper area on the Printed-Circuit Board (PCB).

If the junction temperature still increases due to external causes the OTP shuts down the amplifier completely.

8.4.2 OverTemperature Protection (OTP)

If the junction temperature $T_j > 155\text{ °C}$ the power stage will shut down immediately.

8.4.3 OverCurrent Protection (OCP)

The OCP can distinguish between an impedance drop of the loudspeaker and a low-ohmic short circuit.

If an impedance drop causes the output current to exceed 2 A, e.g. due to dynamic behavior of the loudspeaker, the amplifier will start limiting the current above 2 A. Therefore the current limiting feature will avoid audio interruption (audio holes) due to a loudspeaker impedance drop.

If a fault condition causes the output current to exceed 2 A, like a short circuit between the loudspeaker terminals or from the loudspeaker terminal to the supply lines or ground, the amplifier is switched off and a timer of 100 ms is started. The DIAG is set low for the first 50 ms of the timer. The timer will keep the power stage disabled for at least 100 ms.

Every 100 ms the amplifier will try to restart as long as the short circuit between the loudspeaker terminals remains. The average power dissipation in the TDA8933B will be low because the short circuit current will flow only during a very short time every 100 ms. If a short circuit occurs between a loudspeaker terminal and the supply lines or ground, the activated WP will keep the power stage disabled (no restart every 100 ms). Restart will take place after removing this short.

8.4.4 Window Protection (WP)

The window protection protects the amplifier against the following fault conditions:

- During the start-up sequence, when pin POWERUP is switched from Sleep mode to Mute mode. In the event of a short circuit at one of the output terminals to V_{DDP1} , V_{SSP1} , V_{DDP2} or V_{SSP2} the start-up procedure is interrupted and the TDA8933B waits for open circuit outputs. Because the check is done before enabling the power stages no large currents will flow in the event of a short circuit.
- When the amplifier is shut down completely due to activation of the OCP or because of a short circuit to one of the supply lines, then during restart (i.e. after 100 ms) the window protection will be activated. As a result the amplifier will not start up until the short circuit to the supply lines has been removed.

8.4.5 Supply voltage protection

If the supply voltage drops below 10 V the UnderVoltage Protection (UVP) circuit is activated and the system will shut down directly. This switch-off will be silent and without pop noise. When the supply voltage rises above the threshold level the power stage is restarted after 100 ms.

If the supply voltage exceeds 36 V the OVP circuit is activated and the power stages will shut down. It is enabled again as soon as the supply voltage drops below the threshold level. The power stage is restarted after 100 ms.

Supply voltages > 40 V may damage the TDA8933B. Two conditions should be distinguished here:

- If the supply voltage is pumped to higher values by the TDA8933B application itself (see also [Section 14.8](#)), the OVP is triggered and the TDA8933B is shut down. The supply voltage will decrease and the TDA8933B is thus protected against any overstress.
- If a supply voltage > 40 V is caused by other or by external causes the TDA8933B will shut down, but the device can still be damaged since the supply voltage in this case will remain > 40 V. The OVP protection is not a supply clamp.

An additional UnBalance Protection (UBP) circuit compares the positive analog supply voltage V_{DDA} with the negative analog supply voltage V_{SSA} and is triggered if the difference between them exceeds a certain level. This level depends on the sum of both supply voltages. The UBP threshold levels can be defined as follows:

- LOW-level threshold: $V_{P(th)(ubp)l} < 8/5 \times V_{HVPREF}$
- HIGH-level threshold: $V_{P(th)(ubp)h} > 8/3 \times V_{HVPREF}$

In a symmetrical supply the UBP is released when the unbalance of the supply voltage is within 6 % of its starting value.

[Table 6](#) shows an overview of all protections and their effect on the output signal.

Table 6. Overview of protections for the TDA8933B

Protection	Restart	
	When fault is removed	Every 100 ms
OTP	no	yes
OCP	yes	no
WP	yes	no
UVP	no	yes
OVP	no	yes
UBP	no	yes

8.5 Diagnostic input and output

Except for TF, whenever one of the protections is triggered pin DIAG is activated to LOW level (see [Table 6](#)). An internal current source will pull up the open-drain DIAG output to approximately 2.5 V. This current source can deliver approximately 50 μ A. The DIAG pin refers to pin CGND. The diagnostic output signal during different short circuit conditions is illustrated in [Figure 5](#). Using pin DIAG as input, a voltage < 0.8 V will put the device into Fault mode.

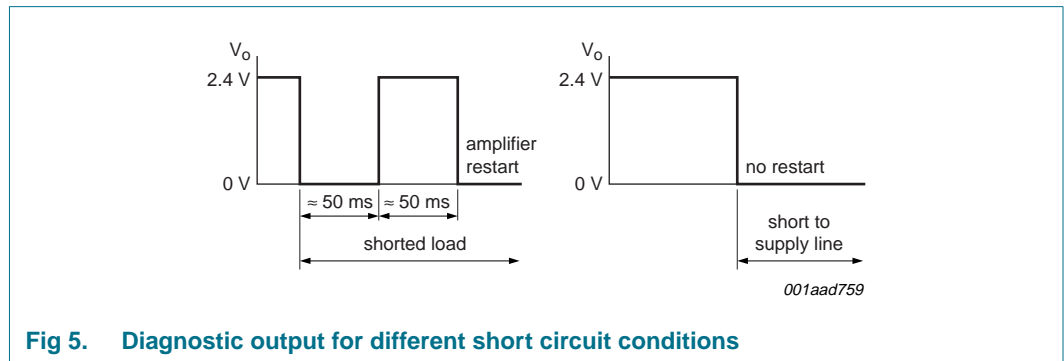


Fig 5. Diagnostic output for different short circuit conditions

8.6 Differential inputs

For a high common-mode rejection ratio and for maximum flexibility in the application the audio inputs are fully differential. By connecting the inputs anti-parallel the phase of one of the two channels can be inverted so that the amplifier can then operate as a mono BTL amplifier. The input configuration for a mono BTL application is illustrated in [Figure 6](#).

In the SE configuration it is also recommended to connect the two differential inputs in anti-phase. This has advantages for the current handling of the power supply at low signal frequencies and minimizes supply pumping (see also [Section 14.8](#)).

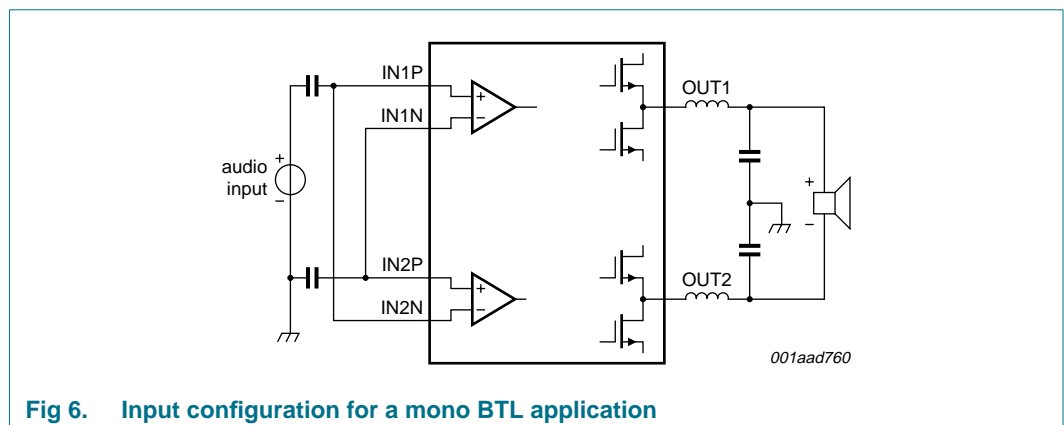


Fig 6. Input configuration for a mono BTL application

8.7 Output voltage buffers

When pin POWERUP is set HIGH the half-supply output voltage buffers are switched on in asymmetrical configuration. The start-up will then be pop-free because the device starts switching when the capacitor on pin HVPREF and the SE capacitors are completely charged.

Output voltage buffer pins:

- Pins HVP1 and HVP2: The time required for charging the SE capacitor depends on its value. The half-supply voltage output is disabled when the TDA8933B is used in a symmetrical supply application.
- Pin HVPREF: This output voltage reference buffer charges the capacitor on pin HVPREF.
- Pin INREF: This output voltage reference buffer charges the input reference capacitor on pin INREF, which applies the bias voltage for the inputs.

9. Internal circuitry

Table 7. Internal circuitry

Pin	Symbol	Equivalent circuit
1 16 17 32	$V_{SSD(HW)}$	<p style="text-align: right;">001aad784</p>
2 3 12 14 15	IN1P IN1N INREF IN2N IN2P	<p style="text-align: right;">001aad785</p>

Table 7. Internal circuitry

Pin	Symbol	Equivalent circuit
4	DIAG	<p style="text-align: right;">001aaf607</p>
5	ENGAGE	<p style="text-align: right;">001aaf608</p>
6	POWERUP	<p style="text-align: right;">001aad788</p>
7	CGND	<p style="text-align: right;">001aad789</p>

Table 7. Internal circuitry

Pin	Symbol	Equivalent circuit
8	V_{DDA}	
9	V_{SSA}	
10	OSCREF	
11	HVPREF	
13	TEST	

Table 7. Internal circuitry

Pin	Symbol	Equivalent circuit
18	DREF	
19	HVP2	
30	HVP1	
20	V _{DDP2}	
23	V _{SSP2}	
26	V _{SSP1}	
29	V _{DDP1}	
21	BOOT2	
28	BOOT1	
22	OUT2	
27	OUT1	

Table 7. Internal circuitry

Pin	Symbol	Equivalent circuit
24	STAB2	
25	STAB1	
31	OSCIO	

10. Limiting values

Table 8. Limiting values

In accordance with the Absolute Maximum Rating System (IEC 60134).

Symbol	Parameter	Conditions	Min	Max	Unit
V_P	supply voltage	asymmetrical supply ^[1]	-0.3	+40.1	V
V_x	voltage on pin x				
	IN1P, IN1N, IN2P, IN2N		^[2] -5	+5	V
	OSCREF, OSCIO, TEST		^[3] $V_{SSD(HW)} - 0.3$	5	V
	POWERUP, ENGAGE, DIAG		^[4] $V_{CGND} - 0.3$	6	V
	all other pins		^[5] $V_{SS} - 0.3$	$V_{DD} + 0.3$	V
I_{ORM}	repetitive peak output current	maximum output current limiting	^[6] 2	-	A
T_j	junction temperature		-	150	°C
T_{stg}	storage temperature		-55	+150	°C
T_{amb}	ambient temperature		-40	+85	°C
P	power dissipation		-	5	W
V_{esd}	electrostatic discharge voltage	human body model	^[7] -2000	+2000	V
		machine model	^[8] -200	+200	V

[1] $V_P = V_{DDP1} - V_{SSP1} = V_{DDP2} - V_{SSP2}$

[2] Measured with respect to pin INREF; $V_x < V_{DD} + 0.3$ V.

[3] Measured with respect to pin $V_{SSD(HW)}$; $V_x < V_{DD} + 0.3$ V.

[4] Measured with respect to pin CGND; $V_x < V_{DD} + 0.3$ V.

[5] $V_{SS} = V_{SSP1} = V_{SSP2}$; $V_{DD} = V_{DDP1} = V_{DDP2}$.

[6] Current limiting concept.

[7] Human Body Model (HBM); $R_s = 1500 \Omega$; $C = 100$ pF. For pins 2, 3, 11, 14 and 15 $V_{esd} = 1800$ V.

[8] Machine Model (MM); $R_s = 0 \Omega$; $C = 200 \text{ pF}$; $L = 0.75 \mu\text{H}$.

11. Thermal characteristics

Table 9. Thermal characteristics

Symbol	Parameter	Conditions	Min	Typ	Max	Unit
$R_{th(j-a)}$	thermal resistance from junction to ambient	free air natural convection				
		JEDEC test board	[1] -	47	50	K/W
		Two-layer application board	[2] -	48	-	K/W
		Three-layer application board	[3] -	30	-	K/W
Ψ_{j-lead}	thermal characterization parameter from junction to lead		-	-	30	K/W
Ψ_{j-top}	thermal characterization parameter from junction to top of package		[4] -	-	2	K/W
$R_{th(j-c)}$	thermal resistance from junction to case	free-air natural convection	-	4.0	-	K/W

[1] Measured on a JEDEC high K-factor test board (standard EIA/JES0 51-7) in free air with natural convection.

[2] Measured on a two-layer application board (55 mm × 40 mm), 35 μm copper, FR4 base material in free air with natural convection.

[3] Measured on a three-layer application board (70 mm × 50 mm), 35 μm copper, FR4 base material in free air with natural convection.

[4] Strongly dependent on where the measurement is taken on the package.

12. Static characteristics

Table 10. Characteristics

$V_P = 25 \text{ V}$, $f_{osc} = 320 \text{ kHz}$ and $T_{amb} = 25 \text{ }^\circ\text{C}$; unless specified otherwise.

Symbol	Parameter	Conditions	Min	Typ	Max	Unit
Supply						
V_P	supply voltage	asymmetrical supply	10	25	36	V
		symmetrical supply	±5	±12.5	±18	V
I_P	supply current	Sleep mode	-	0.6	1.0	mA
$I_{q(tot)}$	total quiescent current	Operating mode; no load, no snubbers or filter connected	-	40	50	mA
Series resistance output switches						
R_{DSon}	drain-source on-state resistance	$T_j = 25 \text{ }^\circ\text{C}$	-	380	-	mΩ
		$T_j = 125 \text{ }^\circ\text{C}$	-	545	-	mΩ
Power-up input: pin POWERUP[1]						
V_I	input voltage		0	-	6.0	V
I_I	input current	$V_I = 3 \text{ V}$	-	1	20	μA
V_{IL}	LOW-level input voltage		0	-	0.8	V
V_{IH}	HIGH-level input voltage		2	-	6.0	V

Table 10. Characteristics ...continued $V_P = 25\text{ V}$, $f_{osc} = 320\text{ kHz}$ and $T_{amb} = 25\text{ °C}$; unless specified otherwise.

Symbol	Parameter	Conditions	Min	Typ	Max	Unit
Engage input: pin ENGAGE^[1]						
V_O	output voltage		2.4	2.8	3.1	V
V_I	input voltage		0	-	6.0	V
I_O	output current	$V_I = 3\text{ V}$	-	50	60	μA
V_{IL}	LOW-level input voltage		0	-	0.8	V
V_{IH}	HIGH-level input voltage		2.4	-	6.0	V
Diagnostic output: pin DIAG^[1]						
V_O	output voltage	protection activated; see Table 6	-	-	0.8	V
		Operating mode	2	2.5	3.3	V
Bias voltage for inputs: pin INREF						
$V_{O(\text{bias})}$	bias output voltage	Reference to V_{SSA}	-	2.1	-	V
Half-supply voltage						
Pins HVP1 and HVP2						
V_O	output voltage	half-supply voltage to charge SE capacitor	$0.5V_P - 0.2\text{ V}$	$0.5V_P$	$0.5V_P + 0.2\text{ V}$	V
I_O	output current	$V_{HVP1} = V_{HVP2} = V_O - 1\text{ V}$	-	50	-	mA
Pin HVPREF						
V_O	output voltage	half-supply reference voltage in Mute mode	$0.5V_P - 0.2\text{ V}$	$0.5V_P$	$0.5V_P + 0.2\text{ V}$	V
Reference voltage for internal logic: pin DREF						
V_O	output voltage	reference to V_{SSA}	4.5	4.8	5.1	V
Amplifier outputs: pins OUT1 and OUT2						
$V_{O(\text{offset})}$	output offset voltage	SE; with respect to HVPREF				
		Mute mode	-	-	15	mV
		Operating mode	-	-	100	mV
		BTL				
		Mute mode	-	-	20	mV
		Operating mode	-	-	150	mV
Stabilizer output: pins STAB1, STAB2						
V_O	output voltage	Mute mode and Operating mode; with respect to pins V_{SSP1} and V_{SSP2}	10	11	12	V
Voltage protections						
$V_{P(\text{uvp})}$	undervoltage protection supply voltage		8.0	9.5	9.9	V
$V_{P(\text{ovp})}$	overvoltage protection supply voltage		36.1	38.5	40	V

Table 10. Characteristics ...continued

$V_P = 25\text{ V}$, $f_{osc} = 320\text{ kHz}$ and $T_{amb} = 25\text{ °C}$; unless specified otherwise.

Symbol	Parameter	Conditions	Min	Typ	Max	Unit
$V_{P(th)(ubp)l}$	low unbalance protection threshold supply voltage	$V_P = 22\text{ V}$; $V_{HVPREF} = 11\text{ V}$	-	-	18	V
$V_{P(th)(ubp)h}$	high unbalance protection threshold supply voltage	$V_P = 22\text{ V}$; $V_{HVPREF} = 11\text{ V}$	29	-	-	V
Current protections						
$I_{O(ocp)}$	overcurrent protection output current	current limiting	2.0	2.5	-	A
Temperature protection						
$T_{act(th_prot)}$	thermal protection activation temperature		155	-	160	°C
$T_{act(th_fold)}$	thermal foldback activation temperature		140	-	150	°C
Oscillator reference: pin OSCIO^[2]						
V_{IH}	HIGH-level input voltage		4.0	-	5.0	V
V_{IL}	LOW-level input voltage		0	-	0.8	V
V_{OH}	HIGH-level output voltage		4.0	-	5.0	V
V_{OL}	LOW-level output voltage		0	-	0.8	V
$N_{slave(max)}$	maximum number of slaves	driven by one master	12	-	-	-

[1] Measured with respect to pin CGND.

[2] Measured with respect to pin $V_{SSD(HW)}$.

13. Dynamic characteristics

Table 11. Switching characteristics

$V_P = 25\text{ V}$; $T_{amb} = 25\text{ °C}$; unless otherwise specified.

Symbol	Parameter	Conditions	Min	Typ	Max	Unit
Internal oscillator						
f_{osc}	oscillator frequency	$R_{osc} = 39\text{ k}\Omega$	-	320	-	kHz
		range	300	-	500	kHz
Timing PWM output: pins OUT1 and OUT2						
t_r	rise time	$I_O = 0\text{ A}$	-	10	-	ns
t_f	fall time	$I_O = 0\text{ A}$	-	10	-	ns
$t_{w(min)}$	minimum pulse width	$I_O = 0\text{ A}$	-	80	-	ns

Table 12. SE characteristics

$V_P = 25\text{ V}$, $R_L = 2 \times 8\ \Omega$, $f_i = 1\text{ kHz}$, $f_{osc} = 320\text{ kHz}$, $R_S < 0.1\ \Omega$ [1] and $T_{amb} = 25\text{ }^\circ\text{C}$; unless otherwise specified.

Symbol	Parameter	Conditions	Min	Typ	Max	Unit	
$P_{O(RMS)}$	RMS output power	continuous time output power per channel [2]					
		$R_L = 4\ \Omega$; $V_P = 17\text{ V}$					
		THD+N = 0.5 %, $f_i = 1\text{ kHz}$	5.9	6.8	-	W	
		THD+N = 0.5 %, $f_i = 100\text{ Hz}$	-	6.8	-	W	
		THD+N = 10 %, $f_i = 1\text{ kHz}$	7.5	8.5	-	W	
		THD+N = 10 %, $f_i = 100\text{ Hz}$	-	8.5	-	W	
		$R_L = 8\ \Omega$; $V_P = 25\text{ V}$					
		THD+N = 0.5 %, $f_i = 1\text{ kHz}$	7.3	8.2	-	W	
		THD+N = 0.5 %, $f_i = 100\text{ Hz}$	-	8.2	-	W	
		THD+N = 10 %, $f_i = 1\text{ kHz}$	9.3	10.3	-	W	
THD+N = 10 %, $f_i = 100\text{ Hz}$	-	10.3	-	W			
THD+N	total harmonic distortion-plus-noise	$P_o = 1\text{ W}$	[3]				
		$f_i = 1\text{ kHz}$	-	0.014	0.1	%	
		$f_i = 6\text{ kHz}$	-	0.05	0.1	%	
$G_{V(cl)}$	closed-loop voltage gain	$V_i = 100\text{ mV}$; no load	29	30	31	dB	
$ \Delta G_V $	voltage gain difference		-	0.5	1	dB	
α_{cs}	channel separation	$P_o = 1\text{ W}$; $f_i = 1\text{ kHz}$	70	80	-	dB	
SVRR	supply voltage ripple rejection	Operating mode	[4]				
		$f_i = 100\text{ Hz}$	-	60	-	dB	
		$f_i = 1\text{ kHz}$	40	50	-	dB	
$ Z_i $	input impedance	differential	70	100	-	k Ω	
$V_{n(o)}$	output noise voltage	Operating mode; $R_i = 0\ \Omega$	[5]	-	100	150	μV
		Mute mode	[5]	-	70	100	μV
$V_{O(mute)}$	mute output voltage	Mute mode; $V_i = 1\text{ V (RMS)}$	-	100	-	μV	
CMRR	common mode rejection ratio	$V_{i(cm)} = 1\text{ V (RMS)}$	-	75	-	dB	
η_{po}	output power efficiency	$V_P = 17\text{ V}$; $R_L = 4\ \Omega$; $P_o = 8\text{ W/channel}$	86	89	-	%	
		$V_P = 25\text{ V}$; $R_L = 8\ \Omega$; $P_o = 10\text{ W/channel}$	89	92	-	%	

- [1] R_S is the total series resistance of an inductor and a ESR single ended capacitor in the application.
- [2] Output power is measured indirectly; based on R_{DSon} measurement.
- [3] THD+N is measured in a bandwidth of 20 Hz to 20 kHz, AES17 brick wall.
- [4] $V_{ripple} = 2\text{ V (p-p)}$; $R_i = 0\ \Omega$.
- [5] $B = 20\text{ Hz to } 20\text{ kHz}$, AES17 brick wall.

Table 13. BTL characteristics

$V_P = 25\text{ V}$, $R_L = 16\ \Omega$, $f_i = 1\text{ kHz}$, $f_{osc} = 320\text{ kHz}$, $R_S < 0.1\ \Omega$ [1] and $T_{amb} = 25\text{ }^\circ\text{C}$; unless otherwise specified.

Symbol	Parameter	Conditions	Min	Typ	Max	Unit	
$P_{O(RMS)}$	RMS output power	continuous time output power[2]					
		$R_L = 8\ \Omega$; $V_P = 17\text{ V}$					
		THD+N = 0.5 %, $f_i = 1\text{ kHz}$	11.9	13.7	-	W	
		THD+N = 0.5 %, $f_i = 100\text{ Hz}$	-	13.7	-	W	
		THD+N = 10 %, $f_i = 1\text{ kHz}$	15.4	17.1	-	W	
		THD+N = 10 %, $f_i = 100\text{ Hz}$	-	17.1	-	W	
		$R_L = 16\ \Omega$; $V_P = 25\text{ V}$					
		THD+N = 0.5 %, $f_i = 1\text{ kHz}$	14.9	16.5	-	W	
		THD+N = 0.5 %, $f_i = 100\text{ Hz}$	-	16.5	-	W	
		THD+N = 10 %, $f_i = 1\text{ kHz}$	18.9	20.6	-	W	
THD+N = 10 %, $f_i = 100\text{ Hz}$	-	20.6	-	W			
THD+N	total harmonic distortion-plus-noise	$P_o = 1\text{ W}$	[3]				
		$f_i = 1\text{ kHz}$	-	0.01	0.1	%	
		$f_i = 6\text{ kHz}$	-	0.04	0.1	%	
$G_{V(cl)}$	closed-loop voltage gain		35	36	37	dB	
$ Z_i $	input impedance	differential	35	50	-	k Ω	
$V_{n(o)}$	output noise voltage	$R_i = 0\ \Omega$					
		Operating mode	[4]	-	100	150	μV
		Mute mode	[4]	-	70	100	μV
$V_{O(mute)}$	mute output voltage	Mute mode; $V_i = 1\text{ V (RMS)}$	-	100	-	μV	
CMRR	common mode rejection ratio	$V_{i(cm)} = 1\text{ V (RMS)}$	-	75	-	dB	
η_{po}	output power efficiency	$P_o = 17\text{ W}$; $V_P = 17\text{ V}$; $R_L = 8\ \Omega$	[5]	89	91	-	%
		$P_o = 21\text{ W}$; $V_P = 25\text{ V}$; $R_L = 16\ \Omega$		92	94	-	%

[1] R_S is the total series resistance of an inductor and a ESR single ended capacitor in the application.

[2] Output power is measured indirectly; based on $R_{DS(on)}$ measurement.

[3] THD+N is measured in a bandwidth of 20 Hz to 20 kHz, AES17 brick wall.

[4] B = 22 Hz to 20 kHz, AES17 brick wall.

[5]
$$\eta_{po} = \frac{2 \cdot P_o}{2 \cdot P_o + P}$$

14. Application information

14.1 Output power estimation

The output power P_o at THD+N = 0.5 %, just before clipping, for the SE and the BTL configurations can be estimated using [Equation 2](#) and [Equation 3](#).

SE configuration:

$$P_{o(0.5\%)} = \frac{\left[\left(\frac{R_L}{R_L + R_{DSon} + R_s + R_{ESR}} \right) \times (I - t_{w(min)} \times f_{osc}) \times V_P \right]^2}{8 \times R_L} \quad (2)$$

BTL configuration:

$$P_{o(0.5\%)} = \frac{\left[\left(\frac{R_L}{R_L + 2 \times (R_{DSon} + R_s)} \right) \times (I - t_{w(min)} \times f_{osc}) \times V_P \right]^2}{2 \times R_L} \quad (3)$$

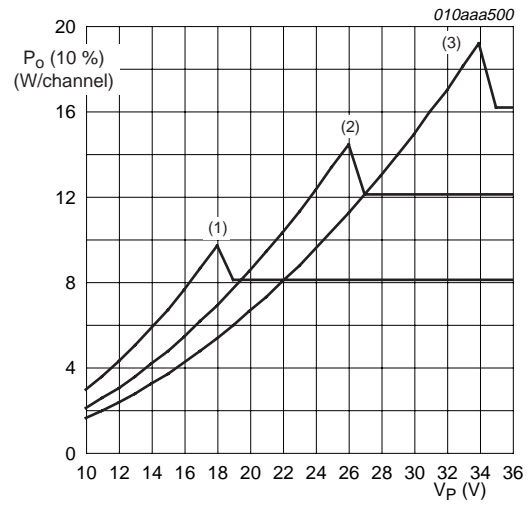
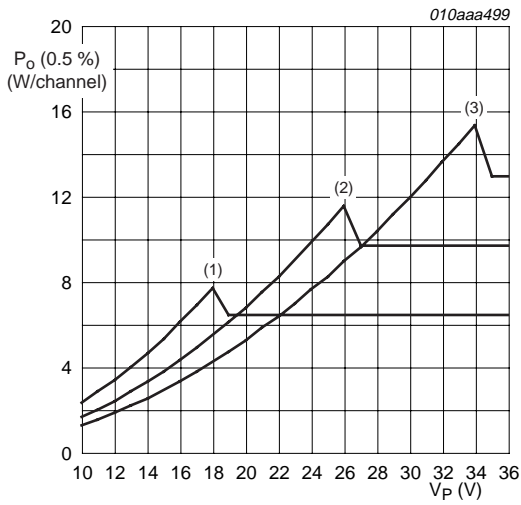
Where:

- V_P = supply voltage $V_{DDP1} - V_{SSP1}$ (V) or $V_{DDP2} - V_{SSP2}$ (V)
- R_L = load resistance (Ω)
- R_{DSon} = drain-source on-state resistance (Ω)
- R_s = series resistance output inductor (Ω)
- R_{ESR} = Equivalent Series Resistance SE capacitance (Ω)
- $t_{w(min)}$ = minimum pulse width(s); 80 ns typical
- f_{osc} = oscillator frequency (Hz); 320 kHz typical with $R_{osc} = 39 \text{ k}\Omega$

The output power P_o at THD+N = 10 % can be estimated by:

$$P_{o(10\%)} = 1.25 \times P_{o(0.5\%)} \quad (4)$$

[Figure 7](#) and [Figure 8](#) show the estimated output power at THD+N = 0.5 % and THD+N = 10 % as a function of the supply voltage for SE and BTL configurations at different load impedances. The output power is calculated with: $R_{DSon} = 0.38 \text{ }\Omega$ (at $T_j = 25 \text{ }^\circ\text{C}$), $R_s = 0.05 \text{ }\Omega$, $R_{ESR} = 0.05 \text{ }\Omega$ and $I_{O(ocp)} = 2 \text{ A}$ (minimum).



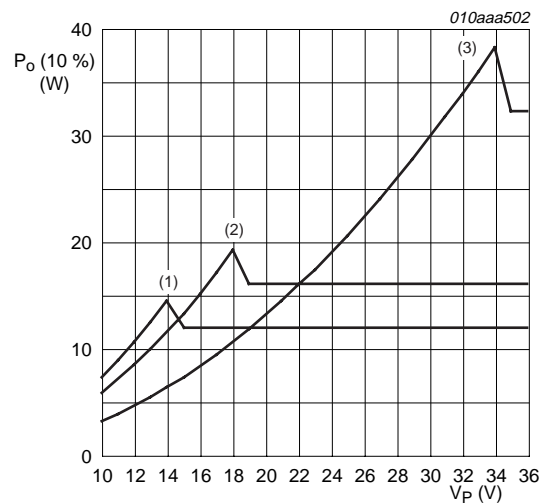
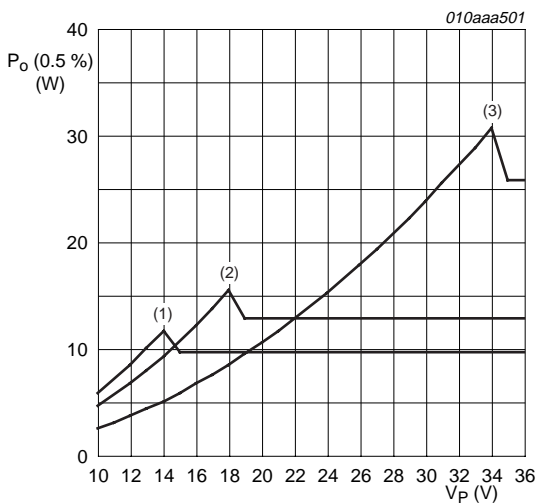
a. THD+N = 0.5 %

b. THD+N = 10 %

- (1) $R_L = 4 \Omega$
- (2) $R_L = 6 \Omega$
- (3) $R_L = 8 \Omega$

When the maximum current of 2 A is reached, the current limitation feature becomes active. See also [Section 8.4.3](#) for OCP details.

Fig 7. SE output power as a function of supply voltage



a. THD+N = 0.5 %

b. THD+N = 10 %

- (1) $R_L = 6 \Omega$
- (2) $R_L = 8 \Omega$
- (3) $R_L = 16 \Omega$

When the maximum current of 2 A is reached, the current limitation feature becomes active. See also [Section 8.4.3](#) for OCP details.

Fig 8. BTL output power as a function of supply voltage

14.2 Output current limitation

The peak output current $I_{O(max)}$ is internally limited to a minimum value of 2 A. During normal operation the output current should not exceed this threshold level, otherwise the signal will be distorted. The peak output current in SE or BTL configurations can be calculated using [Equation 5](#) and [Equation 6](#).

SE configuration:

$$I_{O(max)} \leq \frac{0.5 \times V_P}{R_L + R_{DSon} + R_s + R_{ESR}} \leq 2A \tag{5}$$

BTL configuration:

$$I_{O(max)} \leq \frac{V_P}{R_L + 2 \times (R_{DSon} + R_s)} \leq 2A \tag{6}$$

Where:

- V_P = supply voltage $V_{DDP1} - V_{SSP1}$ (V) or $V_{DDP2} - V_{SSP2}$ (V)
- R_L = load resistance (Ω)
- R_{DSon} = drain-source on-state resistance (Ω)
- R_s = series resistance output inductor (Ω)
- R_{ESR} = Equivalent Series Resistance SE capacitance (Ω)

Example:

An 8 Ω speaker in the BTL configuration can be used up to a supply voltage of 18 V without running into current limiting. Current limiting (clipping) will avoid audio holes but produces a similar distortion to voltage clipping.

14.3 Speaker configuration and impedance

For a flat frequency response (second-order Butterworth filter with an output frequency of 40 kHz) it is necessary to change the low-pass filter components L_{LC} and C_{LC} according to the speaker configuration and impedance. [Table 14](#) shows the values required in practice.

Table 14. Filter component values

Configuration	R_L (Ω)	L_{LC} (μH)	C_{LC} (nF)
SE	4	22	680
	6	33	470
	8	47	330
BTL	8	22	680
	16	47	330

14.4 Single-ended capacitor

The SE capacitor forms a high-pass filter with the speaker impedance. This means that the frequency response will roll off with 20 dB per decade below f_{-3dB} and a cut-off frequency of 3 dB.

The 3 dB cut-off frequency is equal to:

$$f_{-3dB} = \frac{I}{2\pi \times R_L \times C_{SE}} \tag{7}$$

Where:

- f_{-3dB} = 3 dB cut-off frequency (Hz)
- R_L = load resistance (W)
- C_{SE} = single-ended capacitance (F); see [Figure 32](#)

[Table 15](#) shows an overview of the required SE capacitor values in the case of a 60 Hz, 40 Hz or 20 Hz 3 dB cut-off frequency.

Table 15. SE capacitor values

Impedance (Ω)	C _{SE} (μ F)		
	f _{-3dB} = 60 Hz	f _{-3dB} = 40 Hz	f _{-3dB} = 20 Hz
4	680	1000	2200
6	470	680	1500
8	330	470	1000

14.5 Gain reduction

The gain of the TDA8933B is internally fixed at 30 dB for SE and 36 dB for BTL. The gain can be reduced by a resistive voltage divider at the input (see [Figure 9](#)).

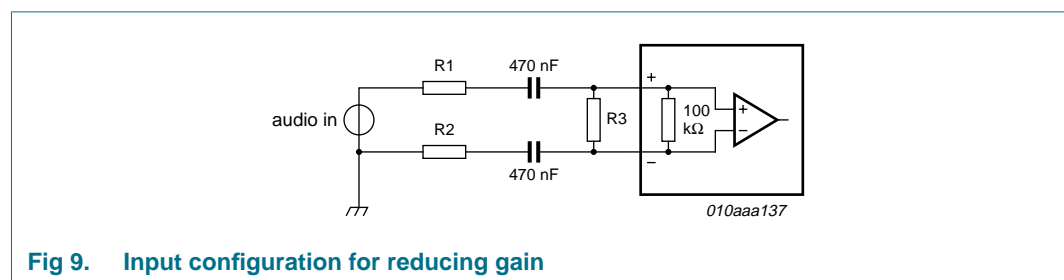


Fig 9. Input configuration for reducing gain

When applying a resistive divider, the total voltage gain $G_{v(tot)}$ can be calculated using [Equation 8](#) and [Equation 9](#):

$$G_{v(tot)} = G_{v(cl)} + 20 \log \left[\frac{R_{EQ}}{R_{EQ} + (R1 + R2)} \right] \tag{8}$$

Where:

- $G_{v(tot)}$ = total voltage gain (dB)
- $G_{v(cl)}$ = closed-loop voltage gain, fixed at 30 dB for SE (dB)
- R_{EQ} = equivalent resistance, R3 and Z_i (Ω)

- R1 = series resistors (Ω)
- R2 = series resistors (Ω)

$$R_{EQ} = \frac{R3 \times Z_i}{R3 + Z_i} \tag{9}$$

Where:

- R_{EQ} = equivalent resistance (Ω)
- R3 = parallel resistor (Ω)
- Z_i = internal input impedance (Ω)

Example:

Substituting R1 = R2 = 4.7 k Ω , Z_i = 100 k Ω and R3 = 22 k Ω in [Equation 8](#) and [Equation 9](#) results in a gain of $G_{v(\text{tot})} = 26.3$ dB.

14.6 Device synchronization

If two or more TDA8933B devices are used in one application it is recommended that all the devices are synchronized at the same switching frequency to avoid beat tones. This can be done by connecting all OSCIO pins together and configuring one of the devices as master while the others are configured as slaves (see [Figure 10](#)).

A device is configured as master when a resistor R_{osc} is connected between pin OSCREF and pin $V_{SSD(HW)}$, thus setting the carrier frequency. Pin OSCIO of the master is then configured as an oscillator output for synchronization. Pin OSCIO of the slave devices should be shorted to pin $V_{SSD(HW)}$, configuring pin OSCIO as an input.

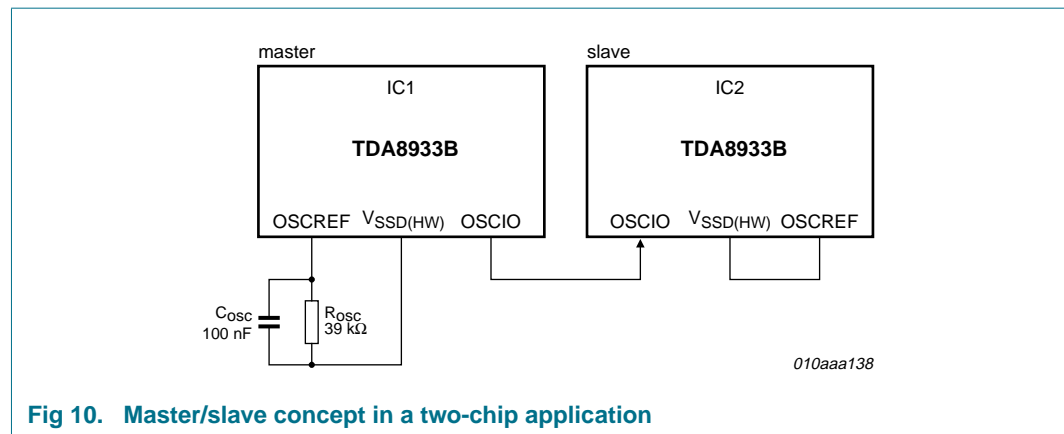


Fig 10. Master/slave concept in a two-chip application

14.7 Thermal behavior (PCB considerations)

The TDA8933B is available in a thermally enhanced HTSSOP32 (SOT549-1) package for reflow soldering.

The HTSSOP32 package has an exposed die pad that reduces significantly the overall $R_{th(j-a)}$. Therefore it is required to solder the exposed die pad (at VSSD level) to a copper plane for cooling. A low thermal-resistance can be achieved when using a multilayer PCB with sufficient space for two or three thermal planes. Increasing the area of the thermal plane, the number of planes or the copper thickness can reduce further the thermal resistance $R_{th(j-a)}$ of both packages.

Find below the typical thermal resistance (free air and natural convection) of two practical PCB implementations:

- $R_{th(j-a)} = 48$ K/W for a small two-layer application board (55 mm × 40 mm, μm copper, FR4 base material).
- $R_{th(j-a)} = 30$ K/W for a three-layer application board (70 mm × 50 mm, 35 μm copper, FR4 base material).

[Equation 10](#) shows the relation between the maximum allowable power dissipation P and the thermal resistance from junction to ambient.

$$R_{th(j-a)} = \frac{T_{j(max)} - T_{amb}}{P} \quad (10)$$

Where:

- $R_{th(j-a)}$ = thermal resistance from junction to ambient (K/W)
- $T_{j(max)}$ = maximum junction temperature ($^{\circ}\text{C}$)
- T_{amb} = ambient temperature ($^{\circ}\text{C}$)
- P = power dissipation, which is determined by the efficiency of the TDA8933B

The power dissipation is shown in [Figure 19](#) (SE) and [Figure 27](#) (BTL).

Thermal foldback will limit the maximum junction temperature to 140 $^{\circ}\text{C}$.

14.8 Pumping effects

When the amplifier is used in an SE configuration a so-called 'pumping effect' can occur. During one switching interval, energy is taken from one supply (e.g. V_{DDP1}), while a part of that energy is delivered back to the other supply line (e.g. V_{SSP1}) and vice versa. When the power supply cannot sink energy the voltage across output capacitors that power supply will increase.

The voltage increase caused by the pumping effect depends on:

- Speaker impedance
- Supply voltage
- Audio signal frequency
- Value of decoupling capacitors on supply lines
- Source and sink currents of other channels

The pumping effect should not cause a malfunction of either the audio amplifier or the power supply, which can also be caused by triggering of the undervoltage or overvoltage protection of the amplifier.

Pumping effects in an SE configuration can be minimized by connecting audio inputs in anti-phase and changing the polarity of one speaker as shown in [Figure 11](#).

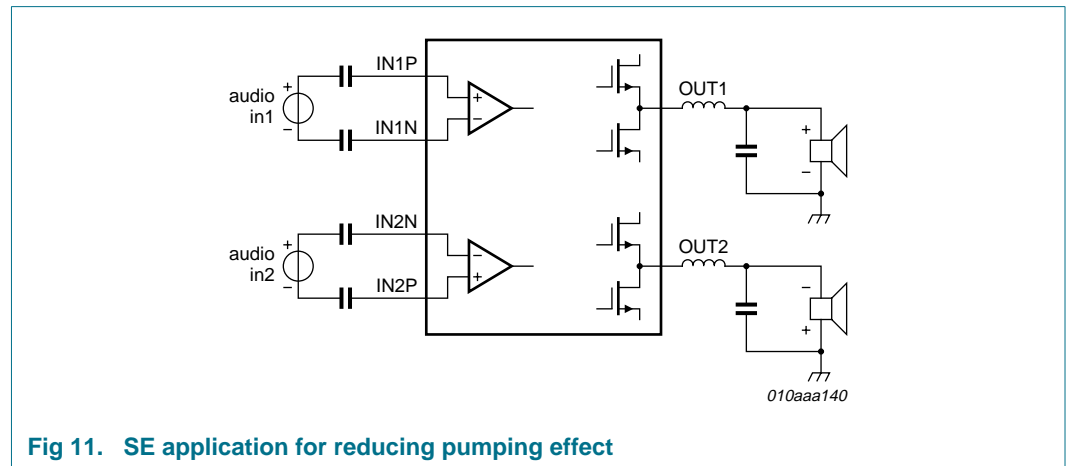


Fig 11. SE application for reducing pumping effect

14.9 SE curves measured in the reference design

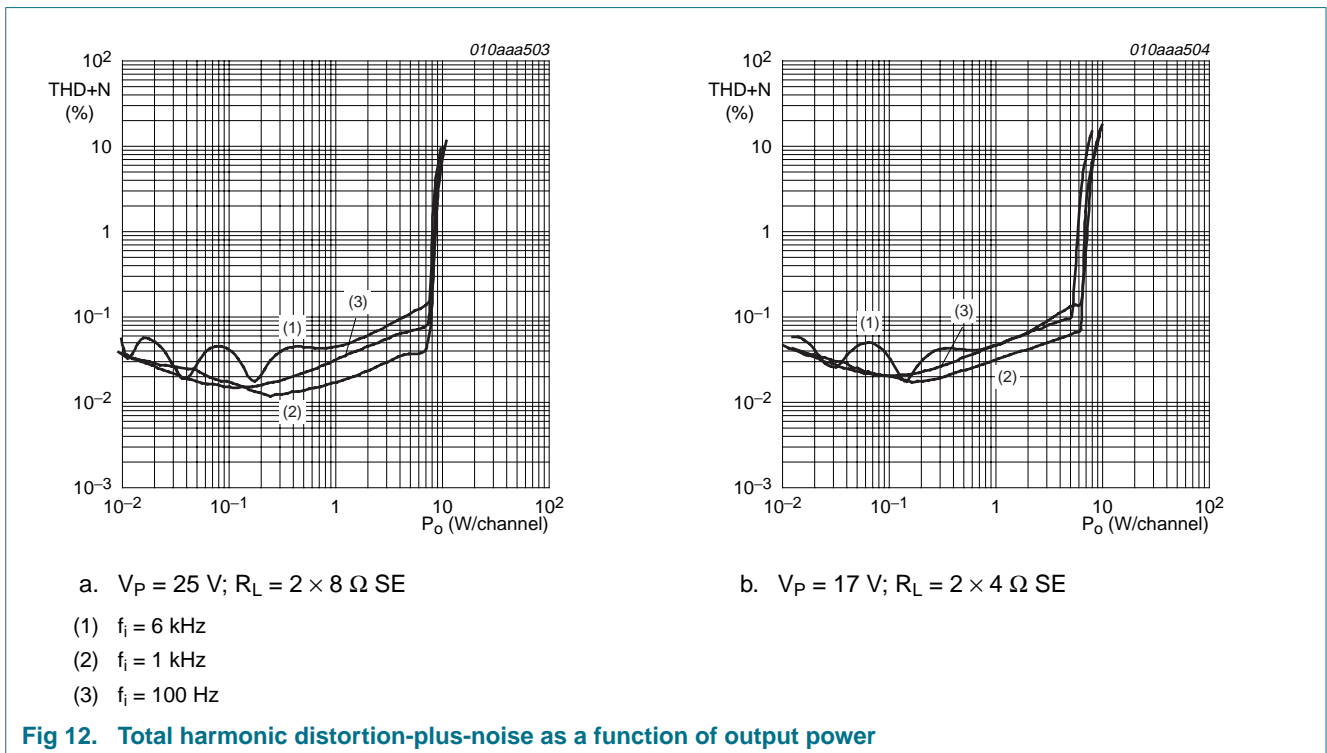
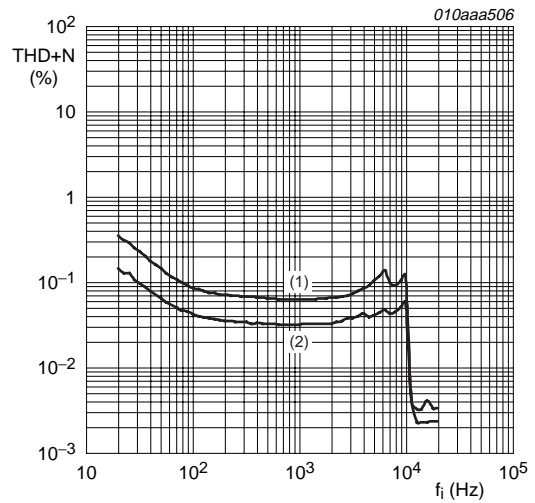
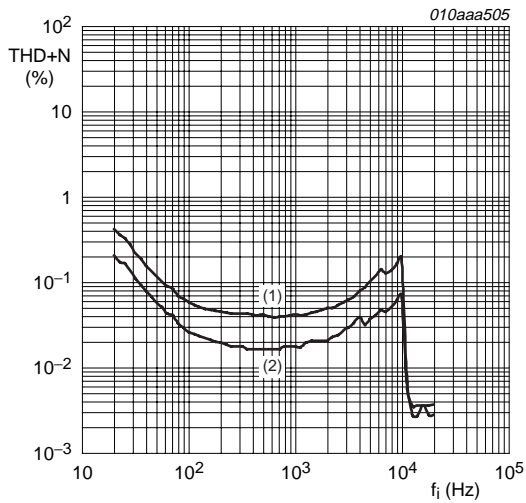


Fig 12. Total harmonic distortion-plus-noise as a function of output power



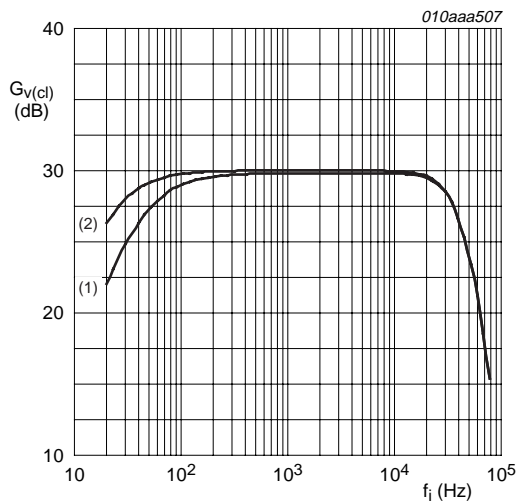
a. $V_P = 25\text{ V}; R_L = 2 \times 8\ \Omega\text{ SE}$

(1) $P_o = 7\text{ W}$

(2) $P_o = 1\text{ W}$

b. $V_P = 17\text{ V}; R_L = 2 \times 4\ \Omega\text{ SE}$

Fig 13. Total harmonic distortion-plus-noise as a function of frequency

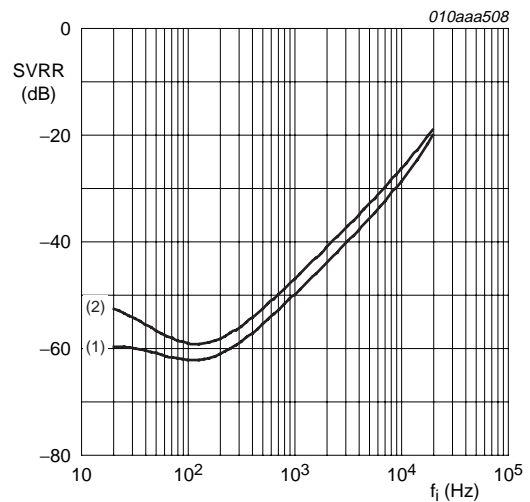


$R_i = 0\ \Omega; V_i = 100\text{ mV (RMS)}; C_{se} = 1000\ \mu\text{F}$

(1) $R_L = 2 \times 4\ \Omega\text{ SE at } V_P = 17\text{ V}$

(2) $R_L = 2 \times 8\ \Omega\text{ SE at } V_P = 25\text{ V}$

Fig 14. Gain as a function of frequency

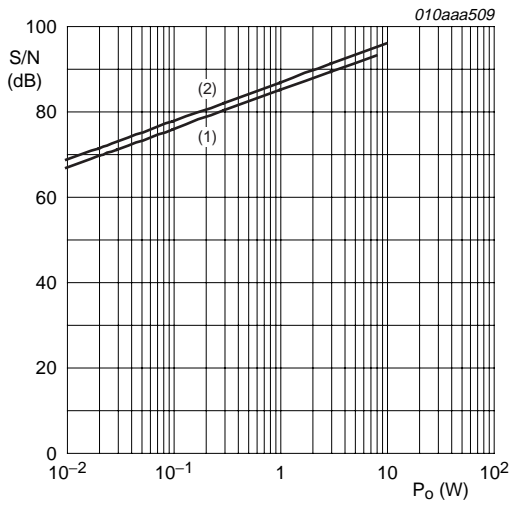


$V_{\text{ripple}} = 500\text{ mV (RMS) referenced to ground};$
Shorted input; $C_{HVPREF} = 47\ \mu\text{F}$

(1) $V_P = 17\text{ V}; R_L = 2 \times 4\ \Omega\text{ SE}$

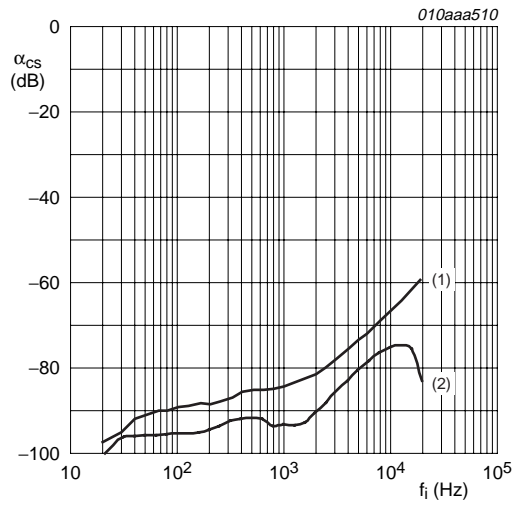
(2) $V_P = 25\text{ V}; R_L = 2 \times 8\ \Omega\text{ SE}$

Fig 15. Supply voltage ripple rejection as a function of frequency



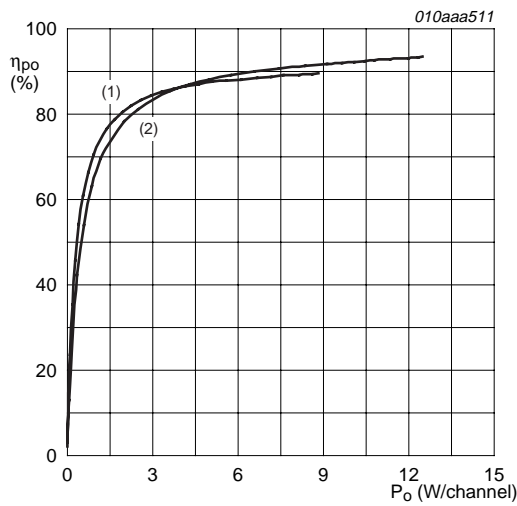
$R_i = 0 \Omega$; 20 kHz brick wall filter AES17
 (1) $R_L = 2 \times 4 \Omega$ SE at $V_P = 17$ V
 (2) $R_L = 2 \times 8 \Omega$ SE at $V_P = 25$ V

Fig 16. Signal-to-noise ratio as a function of output power



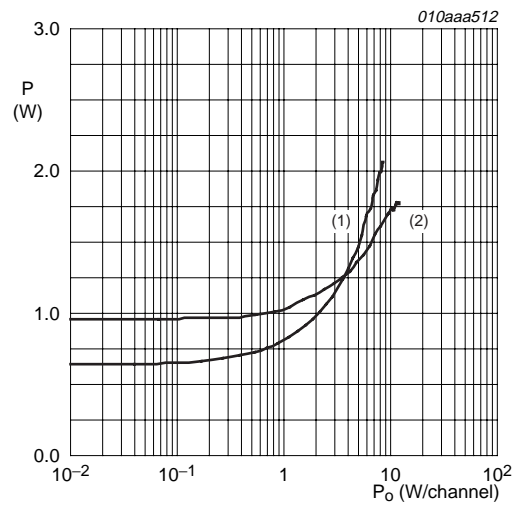
$P_o = 1$ W
 (1) $R_L = 2 \times 4 \Omega$ SE at $V_P = 17$ V
 (2) $R_L = 2 \times 8 \Omega$ SE at $V_P = 25$ V

Fig 17. Channel separation as a function of frequency



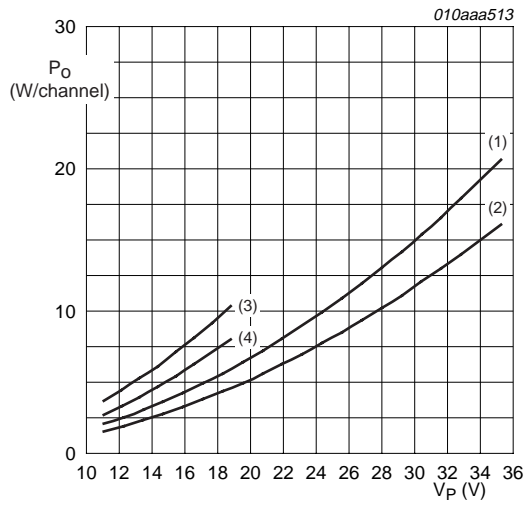
$f_i = 1$ kHz; $\eta_{po} = \frac{2 \times P_o}{2 \times P_o + P}$
 (1) $R_L = 2 \times 4 \Omega$ SE at 17 V
 (2) $R_L = 2 \times 8 \Omega$ SE at 25 V

Fig 18. Output power efficiency as a function of output power



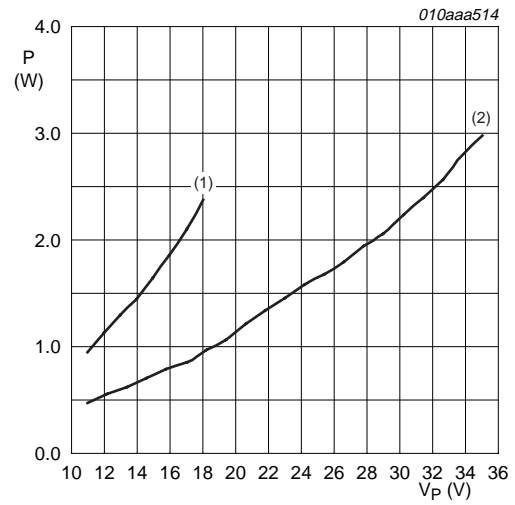
$f_i = 1$ kHz; Power dissipation in junction only
 (1) $R_L = 2 \times 4 \Omega$ SE at 17 V
 (2) $R_L = 2 \times 8 \Omega$ SE at 25 V

Fig 19. Power dissipation as a function of output power per channel (two channels driven)



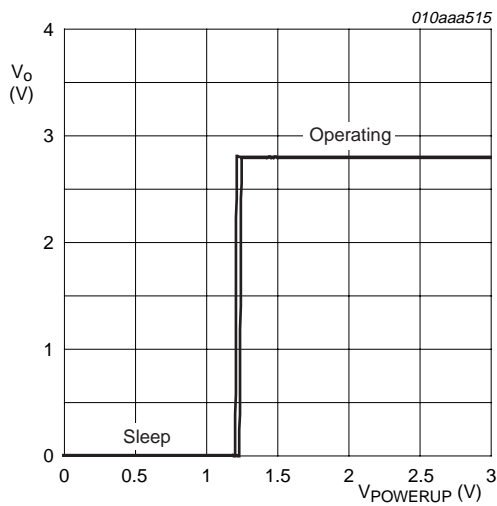
- $f_i = 1 \text{ kHz}$; Short time P_o
- (1) $R_L = 2 \times 8 \ \Omega \text{ SE}$ at THD = 10 %
 - (2) $R_L = 2 \times 8 \ \Omega \text{ SE}$ at THD = 0.5 %
 - (3) $R_L = 2 \times 4 \ \Omega \text{ SE}$ at THD = 10 %
 - (4) $R_L = 2 \times 4 \ \Omega \text{ SE}$ at THD = 0.5 %

Fig 20. Maximum output power per channel as a function of supply voltage



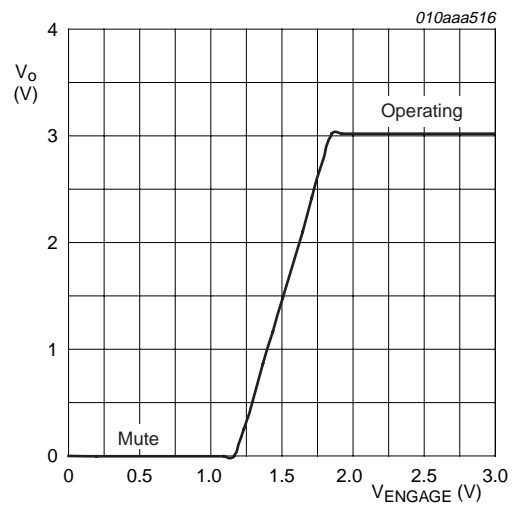
- $f_i = 1 \text{ kHz}$; P_o at THD+N = 10 %;
Power dissipation in junction only
- (1) $R_L = 2 \times 4 \ \Omega \text{ SE}$
 - (2) $R_L = 2 \times 8 \ \Omega \text{ SE}$

Fig 21. Power dissipation as a function of supply voltage



$V_{\text{ENGAGE}} > 2 \text{ V}$; $f_i = 1 \text{ kHz}$; $V_i = 100 \text{ mV (RMS)}$

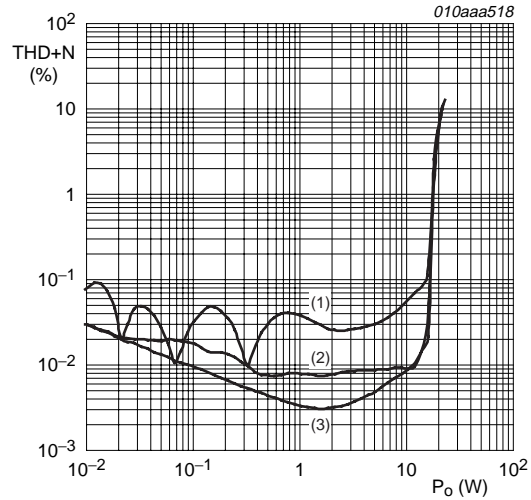
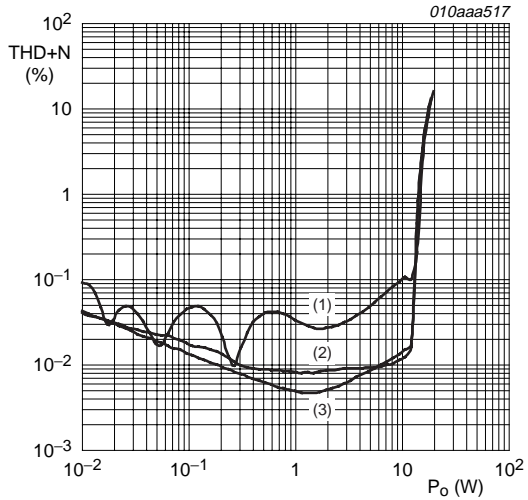
Fig 22. Output voltage as a function of voltage on pin POWERUP



$V_{\text{POWERUP}} = 2 \text{ V}$; $f_i = 1 \text{ kHz}$; $V_i = 100 \text{ mV (RMS)}$

Fig 23. Output voltage as a function of voltage on pin ENGAGE

14.10 BTL curves measured in the reference design

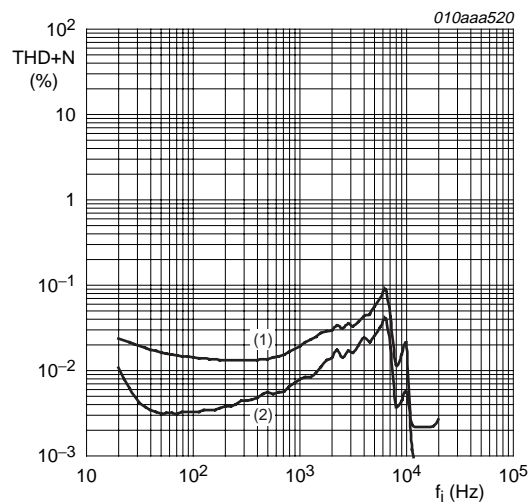
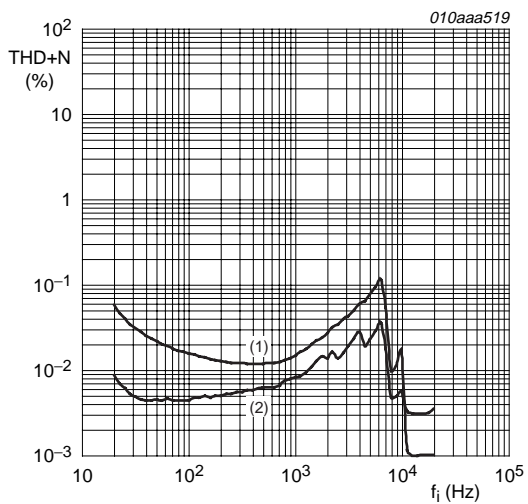


a. $V_P = 17\text{ V}; R_L = 8\ \Omega$ BTL

- (1) $f_i = 6\text{ kHz}$
- (2) $f_i = 1\text{ kHz}$
- (3) $f_i = 1\text{ kHz}$

b. $V_P = 25\text{ V}; R_L = 16\ \Omega$ BTL

Fig 24. Total harmonic distortion-plus-noise as a function of output power



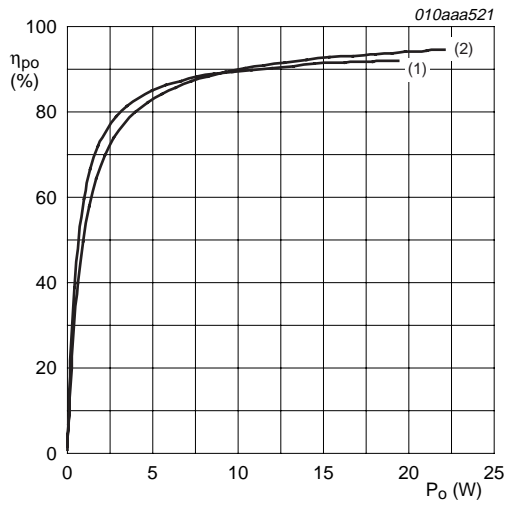
a. $V_P = 17\text{ V}; R_L = 8\ \Omega$ BTL

- (1) $P_o = 12\text{ W}$
- (2) $P_o = 1\text{ W}$

b. $V_P = 25\text{ V}; R_L = 16\ \Omega$ BTL

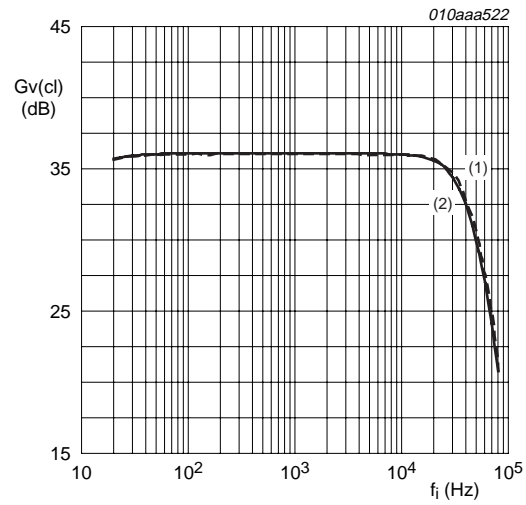
- (1) $P_o = 10\text{ W}$
- (2) $P_o = 1\text{ W}$

Fig 25. Total harmonic distortion-plus-noise as a function of frequency



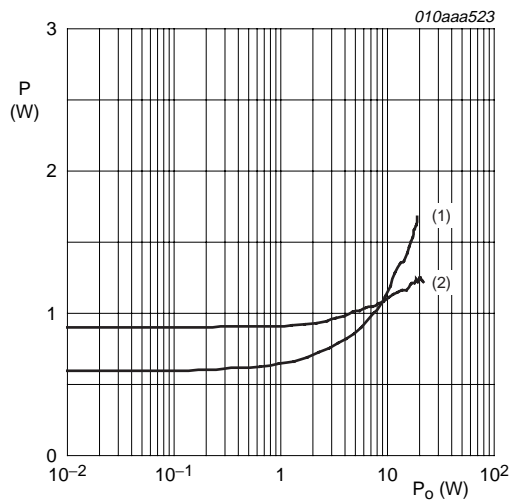
$f_i = 1 \text{ kHz}$
 (1) $8 \text{ } \Omega$ BTL at 17 V
 (2) $16 \text{ } \Omega$ BTL at 25 V

Fig 26. Output power efficiency as a function of output power



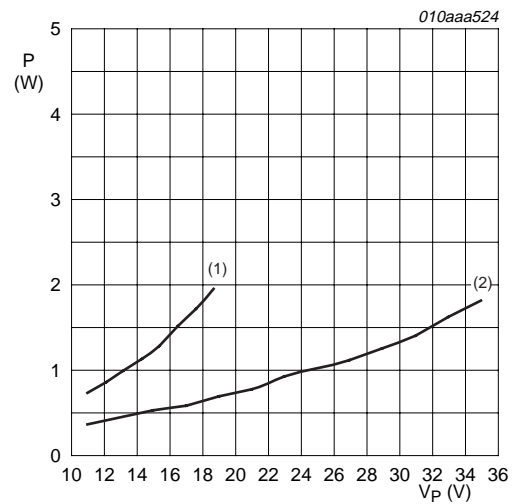
$V_i = 100 \text{ mV (RMS)}$
 (1) $R_L = 8 \text{ } \Omega$ BTL at $V_P = 17 \text{ V}$
 (2) $R_L = 16 \text{ } \Omega$ BTL at $V_P = 25 \text{ V}$

Fig 27. Gain as a function of frequency



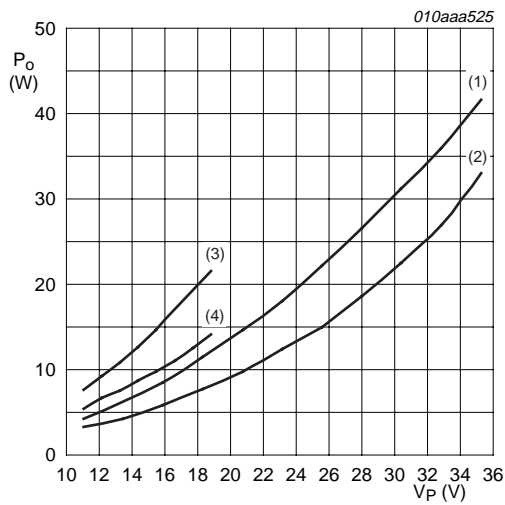
$f_i = 1 \text{ kHz}$; Power dissipation in junction only
 (1) $8 \text{ } \Omega$ BTL at 17 V
 (2) $16 \text{ } \Omega$ BTL at 25 V

Fig 28. Power dissipation as a function of output power



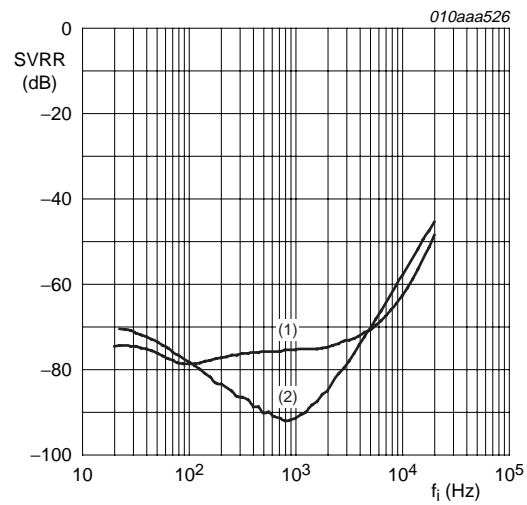
$f_i = 1 \text{ kHz}$; P_o at THD+N = 10 %;
 Power dissipation in junction only
 (1) $R_L = 8 \text{ } \Omega$ BTL
 (2) $R_L = 16 \text{ } \Omega$ BTL

Fig 29. Power dissipation as a function of supply voltage



- $f_i = 1 \text{ kHz}$
- (1) 16 Ω BTL at THD+N = 10 %
 - (2) 16 Ω BTL at THD+N = 0.5 %
 - (3) 8 Ω BTL at THD+N = 10 %
 - (4) 8 Ω BTL at THD+N = 0.5 %

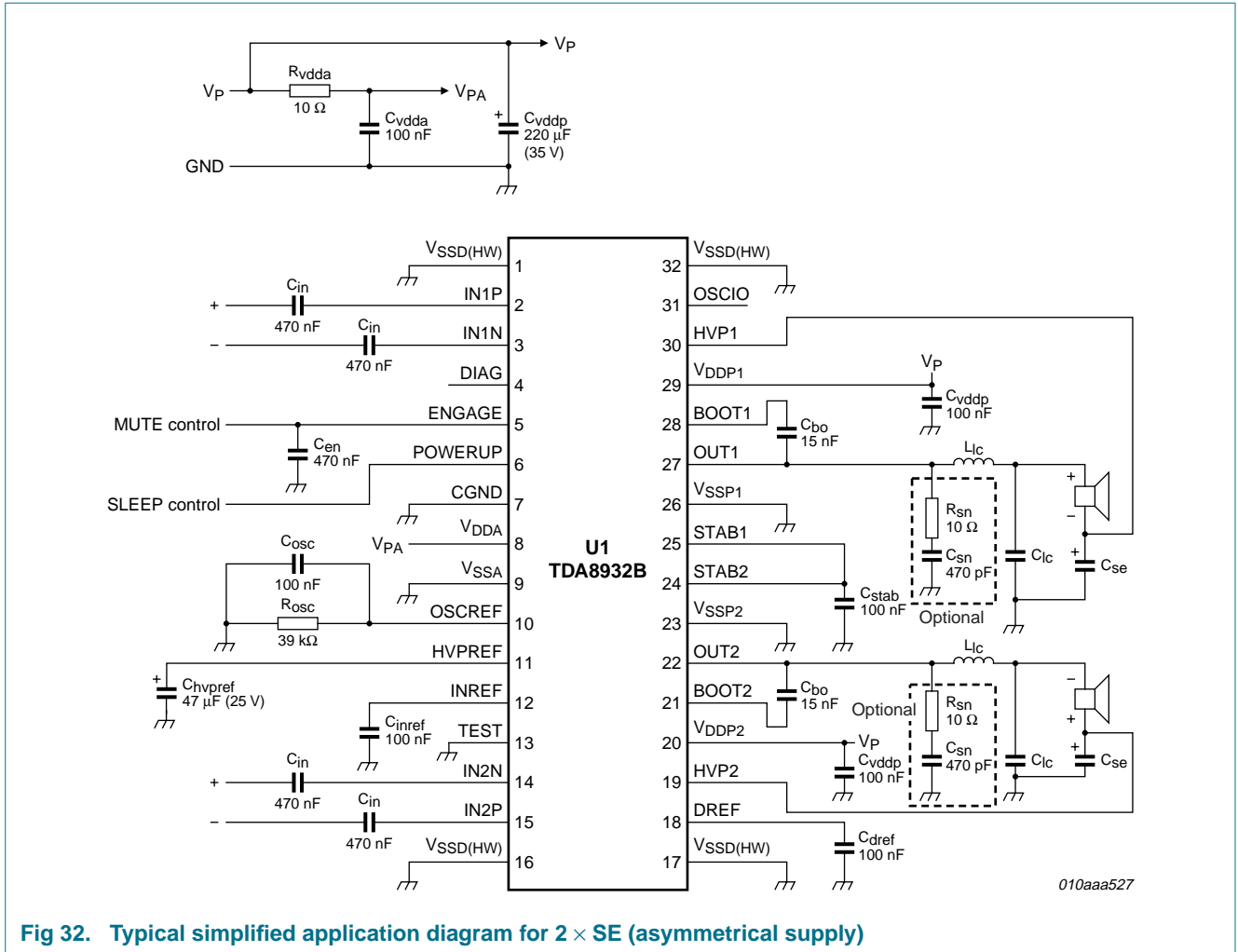
Fig 30. Output power as a function of supply voltage

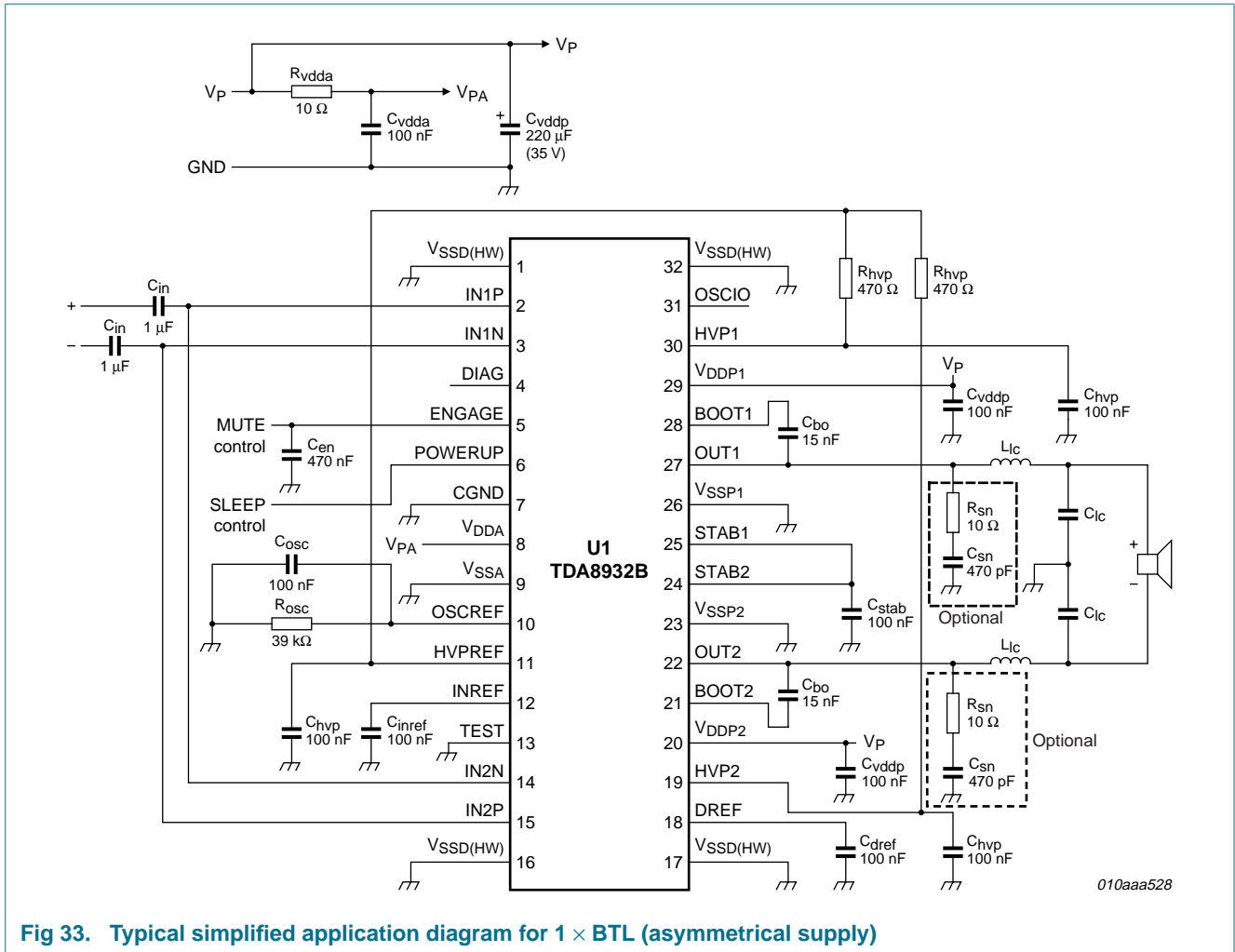


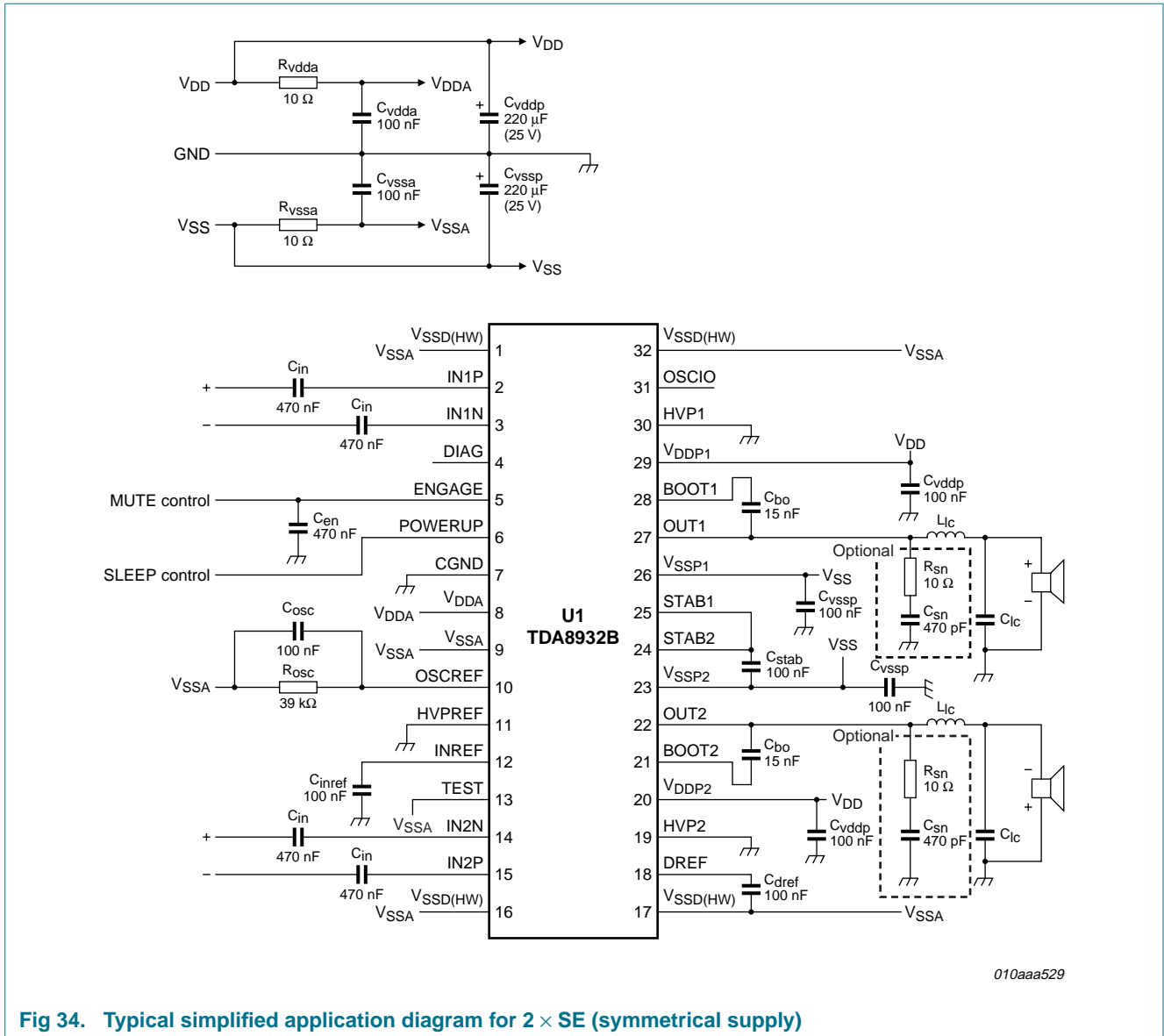
- $V_{\text{ripple}} = 500 \text{ mV (RMS)}$ with relation to ground;
Shorted inputs; $C_{\text{HVP}} = 100 \text{ nF}$
- (1) $V_P = 17 \text{ V}$; $R_L = 8 \Omega$ BTL
 - (2) $V_P = 25 \text{ V}$; $R_L = 16 \Omega$ BTL

Fig 31. Supply voltage ripple rejection as a function of frequency

14.11 Typical application schematics (simplified)







010aaa529

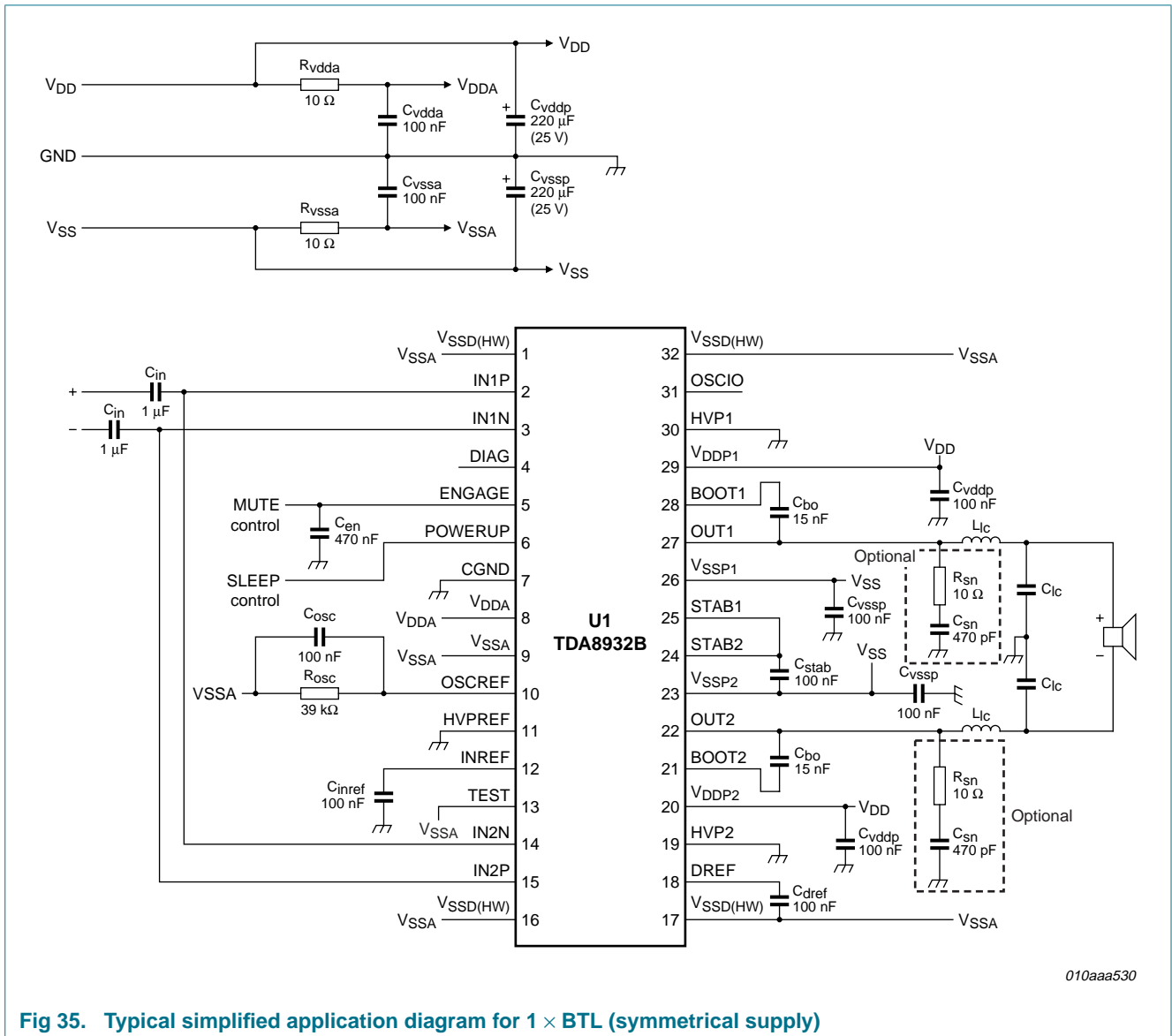


Fig 35. Typical simplified application diagram for 1 x BTL (symmetrical supply)

15. Package outline

HTSSOP32: plastic thermal enhanced thin shrink small outline package; 32 leads; body width 6.1 mm; lead pitch 0.65 mm; exposed die pad

SOT549-1

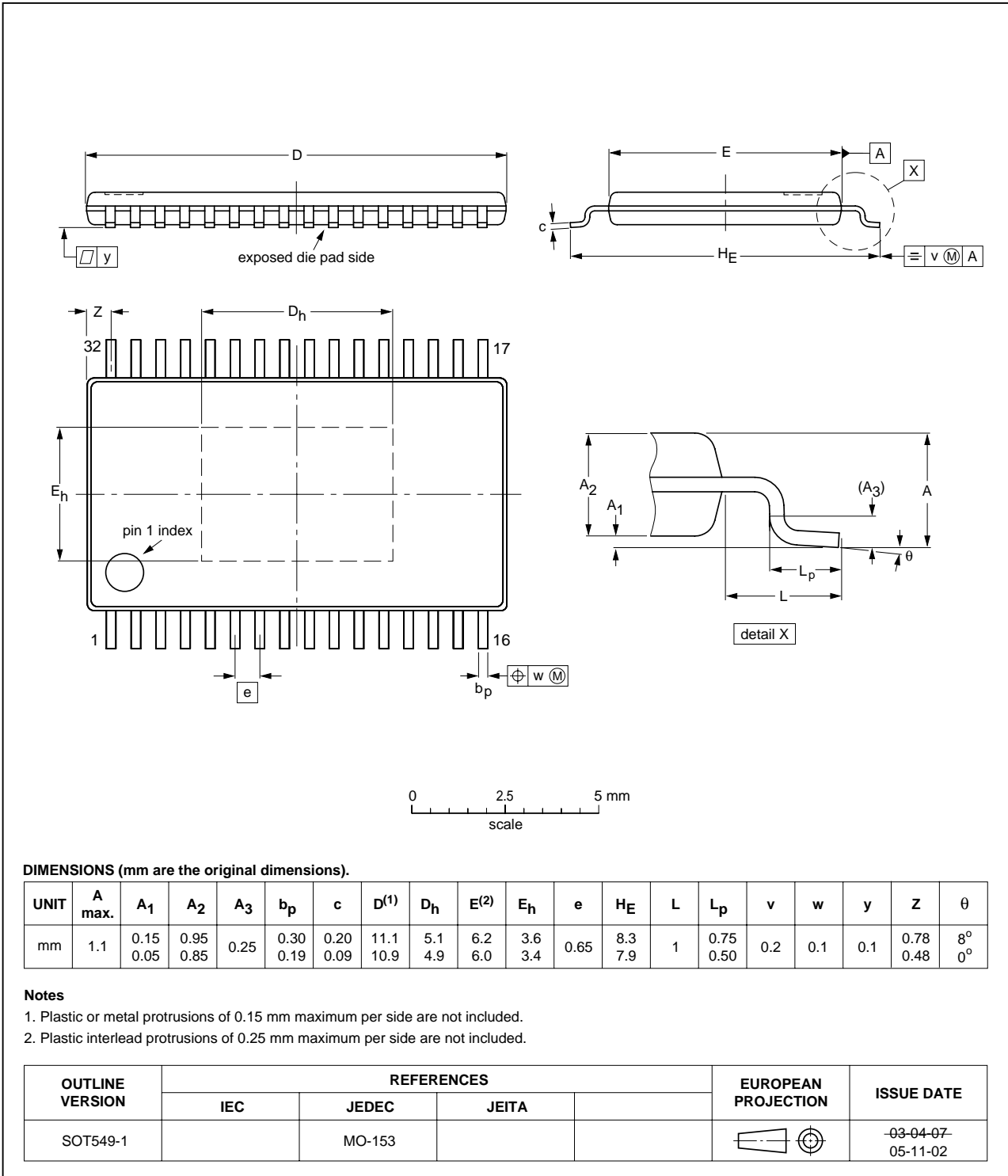


Fig 36. Package outline SOT549-1 (HTSSOP32)

16. Revision history

Table 16. Revision history

Document ID	Release date	Data sheet status	Change notice	Supersedes
TDA8933B_1	20081023	Preliminary data sheet	-	-

17. Legal information

17.1 Data sheet status

Document status ^{[1][2]}	Product status ^[3]	Definition
Objective [short] data sheet	Development	This document contains data from the objective specification for product development.
Preliminary [short] data sheet	Qualification	This document contains data from the preliminary specification.
Product [short] data sheet	Production	This document contains the product specification.

[1] Please consult the most recently issued document before initiating or completing a design.

[2] The term 'short data sheet' is explained in section "Definitions".

[3] The product status of device(s) described in this document may have changed since this document was published and may differ in case of multiple devices. The latest product status information is available on the Internet at URL <http://www.nxp.com>.

17.2 Definitions

Draft — The document is a draft version only. The content is still under internal review and subject to formal approval, which may result in modifications or additions. NXP Semiconductors does not give any representations or warranties as to the accuracy or completeness of information included herein and shall have no liability for the consequences of use of such information.

Short data sheet — A short data sheet is an extract from a full data sheet with the same product type number(s) and title. A short data sheet is intended for quick reference only and should not be relied upon to contain detailed and full information. For detailed and full information see the relevant full data sheet, which is available on request via the local NXP Semiconductors sales office. In case of any inconsistency or conflict with the short data sheet, the full data sheet shall prevail.

17.3 Disclaimers

General — Information in this document is believed to be accurate and reliable. However, NXP Semiconductors does not give any representations or warranties, expressed or implied, as to the accuracy or completeness of such information and shall have no liability for the consequences of use of such information.

Right to make changes — NXP Semiconductors reserves the right to make changes to information published in this document, including without limitation specifications and product descriptions, at any time and without notice. This document supersedes and replaces all information supplied prior to the publication hereof.

Suitability for use — NXP Semiconductors products are not designed, authorized or warranted to be suitable for use in medical, military, aircraft, space or life support equipment, nor in applications where failure or malfunction of an NXP Semiconductors product can reasonably be expected to result in personal injury, death or severe property or environmental

damage. NXP Semiconductors accepts no liability for inclusion and/or use of NXP Semiconductors products in such equipment or applications and therefore such inclusion and/or use is at the customer's own risk.

Applications — Applications that are described herein for any of these products are for illustrative purposes only. NXP Semiconductors makes no representation or warranty that such applications will be suitable for the specified use without further testing or modification.

Limiting values — Stress above one or more limiting values (as defined in the Absolute Maximum Ratings System of IEC 60134) may cause permanent damage to the device. Limiting values are stress ratings only and operation of the device at these or any other conditions above those given in the Characteristics sections of this document is not implied. Exposure to limiting values for extended periods may affect device reliability.

Terms and conditions of sale — NXP Semiconductors products are sold subject to the general terms and conditions of commercial sale, as published at <http://www.nxp.com/profile/terms>, including those pertaining to warranty, intellectual property rights infringement and limitation of liability, unless explicitly otherwise agreed to in writing by NXP Semiconductors. In case of any inconsistency or conflict between information in this document and such terms and conditions, the latter will prevail.

No offer to sell or license — Nothing in this document may be interpreted or construed as an offer to sell products that is open for acceptance or the grant, conveyance or implication of any license under any copyrights, patents or other industrial or intellectual property rights.

Quick reference data — The Quick reference data is an extract of the product data given in the Limiting values and Characteristics sections of this document, and as such is not complete, exhaustive or legally binding.

17.4 Trademarks

Notice: All referenced brands, product names, service names and trademarks are the property of their respective owners.

18. Contact information

For more information, please visit: <http://www.nxp.com>

For sales office addresses, please send an email to: salesaddresses@nxp.com

19. Contents

1	General description	1	17.4	Trademarks	41
2	Features	1	18	Contact information	41
3	Applications	1	19	Contents	42
4	Quick reference data	2			
5	Ordering information	2			
6	Block diagram	3			
7	Pinning information	4			
7.1	Pinning	4			
7.2	Pin description	4			
8	Functional description	5			
8.1	General	5			
8.2	Mode selection and interfacing	6			
8.3	Pulse Width Modulation (PWM) frequency	7			
8.4	Protections	8			
8.4.1	Thermal Foldback (FT)	8			
8.4.2	OverTemperature Protection (OTP)	9			
8.4.3	OverCurrent Protection (OCP)	9			
8.4.4	Window Protection (WP)	9			
8.4.5	Supply voltage protection	9			
8.5	Diagnostic input and output	11			
8.6	Differential inputs	11			
8.7	Output voltage buffers	12			
9	Internal circuitry	12			
10	Limiting values	16			
11	Thermal characteristics	17			
12	Static characteristics	17			
13	Dynamic characteristics	19			
14	Application information	21			
14.1	Output power estimation	21			
14.2	Output current limitation	24			
14.3	Speaker configuration and impedance	24			
14.4	Single-ended capacitor	25			
14.5	Gain reduction	25			
14.6	Device synchronization	26			
14.7	Thermal behavior (PCB considerations)	27			
14.8	Pumping effects	27			
14.9	SE curves measured in the reference design	28			
14.10	BTL curves measured in the reference design	32			
14.11	Typical application schematics (simplified)	35			
15	Package outline	39			
16	Revision history	40			
17	Legal information	41			
17.1	Data sheet status	41			
17.2	Definitions	41			
17.3	Disclaimers	41			

Please be aware that important notices concerning this document and the product(s) described herein, have been included in section 'Legal information'.

founded by

PHILIPS

© NXP B.V. 2008.

All rights reserved.

For more information, please visit: <http://www.nxp.com>

For sales office addresses, please send an email to: salesaddresses@nxp.com

Date of release: 23 October 2008

Document identifier: TDA8933B_1